



Instruction Sheet

Model D3244

Heavy Duty Wagon

INTRODUCTION

The SHOP FOX® Model D3244 Heavy Duty Wagon makes hauling cargo a breeze with its high wooden sides.

Check the inventory list below **Figure 1** to ensure all the parts are present. All fasteners require a hex nut, lock washer and flat washer.

To assemble the Model D3244, do these steps:

1. Turn the wagon bed upside down and attach the rear axle and axle braces with the M6-1 x 16 flat head screws.
2. Attach the steering assembly pieces with the M10-1.5 x 20 carriage bolt, then insert the cotter pin.
3. Secure the steering assembly to the underside of the wagon bed with the M6-1 x 16 flat head screws.
4. Install the wheels on the axles with the air valves and cotter pins facing out, and secure the axle caps.
5. Attach the handle to the steering assembly with the M6-1 x 75 button head screw.
6. Attach the wooden side panels with the M6-1 x 45mm button head screws in this order: 1) Left side panel 2) rear panel 3) right side panel and 4) front panel.

CAUTION—ADULT SUPERVISION IS REQUIRED AT ALL TIMES WHEN USING THIS WAGON.



Figure 1. Wagon fully assembled.

INVENTORY LIST

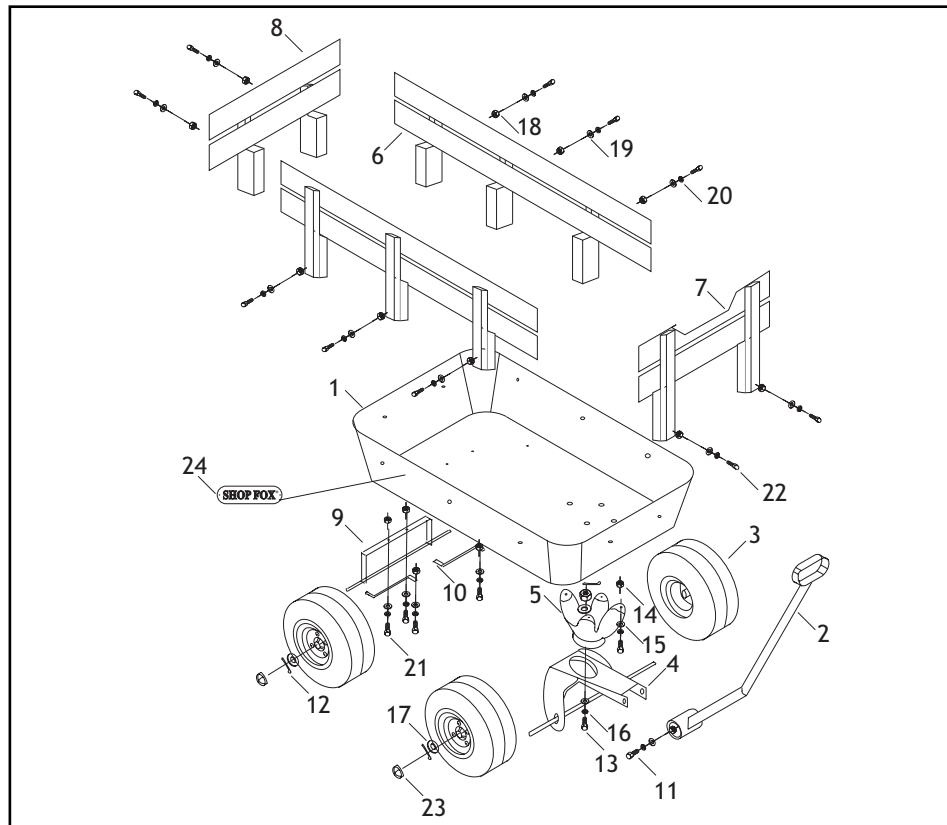
- (1) Wagon Bed
- (1) Handle
- (4) Tires
- (2) Steering Assembly
- (4) Long Wooden Panels
- (1) Rear Axle Assembly
- (2) Rear Axle Braces
- Hardware Bag 1
 - (1) Button Head Screw M6-1 x 75
 - (5) Cotter Pins
 - (1) Special Carriage Bolt M10-1.5 x 20
 - (1) Hex Nut M10-1.5
 - (1) Flat Washer 12mm
 - (1) Lock Washer 10mm
 - (4) Flat Washers 16mm
 - (19) Hex Nuts M6-1
 - (19) Flat Washers 6mm
 - (19) Lock Washers 6mm
 - (8) Flat Head Screws M6-1 x 16
 - (10) Button Head Screws M6-1 x 45
 - (4) Axle Caps

COPYRIGHT © BY WOODSTOCK INTERNATIONAL, INC.

WARNING: NO PORTION OF THIS DOCUMENT MAY BE REPRODUCED IN ANY SHAPE OR FORM WITHOUT THE WRITTEN APPROVAL OF WOODSTOCK INTERNATIONAL, INC.

NOVEMBER 2003, PRINTED IN CHINA.

D3244 Parts Diagram



REF	PART #	DESCRIPTION
1	XD3244001	WAGON BED
2	XD3244002	HANDLE
3	XD3244003	WHEEL
4	XD3244004	STEERING AXLE
5	XD3244005	STEERING MOUNT
6	XD3244006	WOOD SIDE PANEL
7	XD3244007	WOOD FRONT PANEL
8	XD3244008	WOOD REAR PANEL
9	XD3244009	REAR AXLE ASSEMBLY
10	XD3244010	REAR AXLE BRACE
11	XD3244011	BUTTON HEAD SCR M6-1 X 75
12	XD3244012	COTTER PIN
13	XD3244013	SPECIAL BOLT M10-1.5 X20
14	XPNO2M	HEX NUT M10-1.5
15	XPWO6M	FLAT WASHER 12MM
16	XPLW06M	LOCK WASHER 10MM
17	XPWO8M	FLAT WASHER 16MM
18	XPNO1M	HEX NUT M6-1
19	XPWO3M	FLAT WASHER 6MM
20	XPLW03M	LOCK WASHER 6MM
21	XPFH38M	FLAT HEAD SCREW M6-1 X 16
22	XD3244022	BUTTON HEAD SCR M6-1 X 45
23	XD3244023	AXLE CAP
24	XD3244024	SHOP FOX LOGO STICKER

If you have questions please contact Woodstock International at 1-360-734-3482 or send e-mail to: tech-support@shopfox.biz.

Free Manuals Download Website

<http://myh66.com>

<http://usermanuals.us>

<http://www.somanuals.com>

<http://www.4manuals.cc>

<http://www.manual-lib.com>

<http://www.404manual.com>

<http://www.luxmanual.com>

<http://aubethermostatmanual.com>

Golf course search by state

<http://golfingnear.com>

Email search by domain

<http://emailbydomain.com>

Auto manuals search

<http://auto.somanuals.com>

TV manuals search

<http://tv.somanuals.com>