

Mobile Base Models D2057A, D2058A, D2260A Instruction Sheet



Phone #: (360) 734-3482 • Online Tech Support: tech-support@shopfox.biz • Web: www.shopfox.biz

Introduction

Your new Mobile Base is designed to give you a stable and mobile platform upon which to mount machinery and equipment. Be sure to select the model that matches your machine specifications.

D2057A Specifications (see Figure 1)

- Minimum Inside Dimensions..... 20" x 20"
- Maximum Inside Dimensions 29¹/₂" x 29¹/₂"
- Maximum Weight Capacity 700 lbs

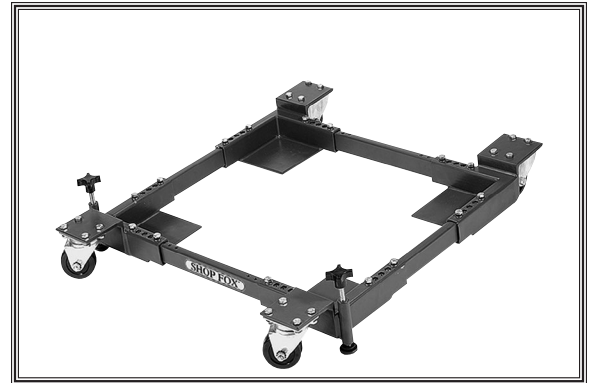


Figure 1. Model D2057A.

D2058A Specifications (see Figure 2)

- Minimum Inside Dimensions..... 18¹/₂" x 24¹/₂"
- Maximum Inside Dimensions 28¹/₂" x 33¹/₂"
- Maximum Weight Capacity 1300 lbs

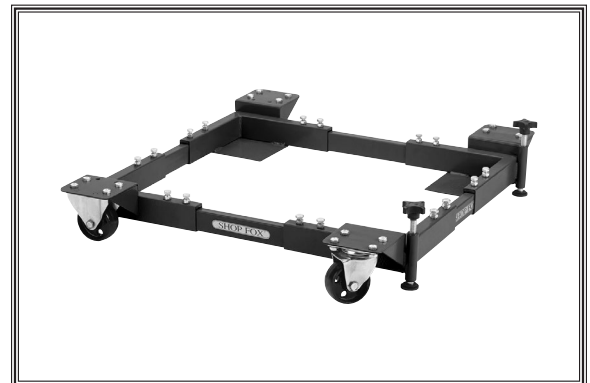


Figure 2. Model D2058A.

D2260A Specifications (see Figure 3)

- Minimum Inside Dimensions..... 10¹/₂" x 14¹/₂"
- Maximum Inside Dimensions 21¹/₂" x 17¹/₂"
- Maximum Weight Capacity 600 lbs

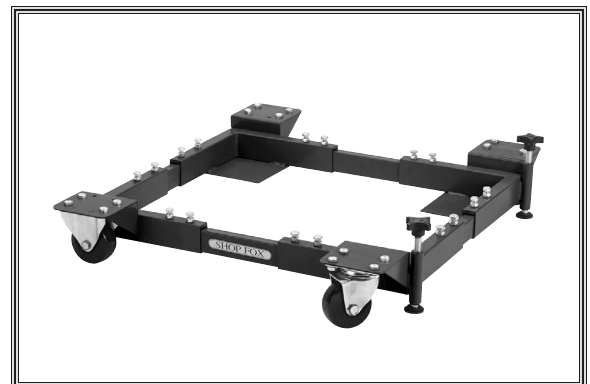


Figure 3. Model D2260A.

COPYRIGHT © JUNE, 2009 BY WOODSTOCK INTERNATIONAL, INC. REVISED JUNE, 2013 (DM)

WARNING: NO PORTION OF THIS MANUAL MAY BE REPRODUCED IN ANY SHAPE OR FORM WITHOUT

#11846BL

THE WRITTEN APPROVAL OF WOODSTOCK INTERNATIONAL, INC.

Printed in China

Available Accessories

Base modification accessories are available for machines with an extension table or machine bases larger than the maximum inside dimensions of Model D2058A.

D2259A—Mobile Base Extension Kit

Model D2259A (see **Figure 4**) is designed to install onto the Model D2260A or D2057A mobile base to provide a stable support platform for a machine and an extension table unit.

Specifications

- Minimum Extension Length 28¹/₂"
- Maximum Extension Length 45³/₄"
- Maximum Leg Span 32"

D2246A—36" Extension Bar Kit

The 36" extension bars replace the longer or shorter length rails on the Model D2058A Super Heavy-Duty Mobile Base. The extension bars are suitable for heavy and long machines such as jointers, bandsaws, wide belt and drum sanders, lathes (see **Figure 5**), or heavy workbenches.

Specifications

- Minimum Inside Dimensions 18" x 34"
- Maximum Inside Dimensions 28" x 44"
- Maximum Weight Capacity 1200 lbs

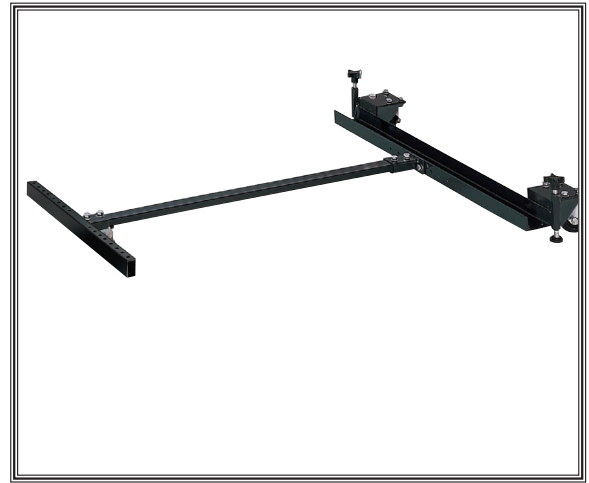


Figure 4. Mobile base extension support platform assembled.



Figure 5. D2246A extension bar kit in use with Model D2058A mobile base.

Tools Needed for Assembly

Tape Measure	1
Wrenches or Sockets 13mm	2
Light Machine Oil (Optional)	As Needed
Crowbar (Optional)	1
Rubber Mallet (Optional)	1
6" 2x4's (Optional)	2
6" 2x6 (Optional)	1
12" 4x4 (Optional)	1

Inventory (see Figure 6)

Qty

A. Swivel Casters.....	2
B. Fixed Casters.....	2
C. Left Corner Bracket.....	1
D. Right Corner Bracket.....	1
E. Right Corner Bracket w/Foot Post.....	1
F. Left Corner Bracket w/Foot Post	1
G. Side Rails	4
H. Knobs M12-1.75	2
I. Feet.....	2
J. Hardware Bag (not shown)	
–Hex Bolts M8-1.25 x 16 (Casters)	16
–Hex Bolts M8-1.25 x 25 (Brackets).....	16
–Lock Nuts M8-1.25 (Brackets)	16
–Lock Washers 8mm (Casters)	16
–Flat Washers 8mm (Casters).....	16
–Hex Nuts M8-1.25 (Casters).....	16

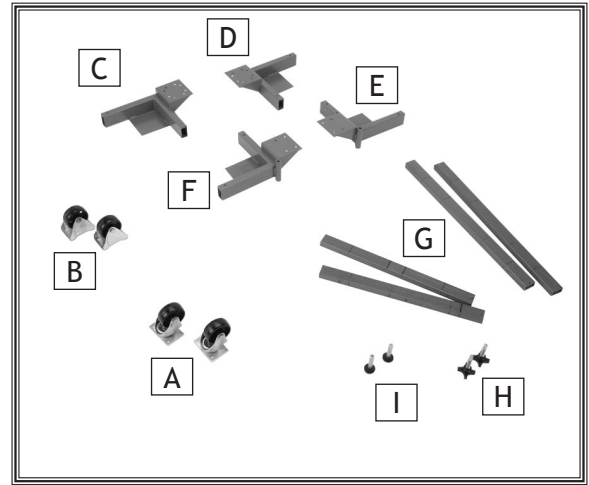


Figure 6. Inventory.

WARNING

Do not use the mobile base until you have read and understood this instruction sheet and completed the entire assembly procedure. Serious personal injury may occur if you ignore this warning.

Preparation for Assembly

There is more than one way to assemble the mobile base. Each method has advantages and disadvantages, depending on the size and weight of the machine that you plan to put on the mobile base. The purpose of this section is to help you decide which method will work best for your situation.

If the machine can be lifted, the easiest method is to assemble the mobile base according to the dimensions of your machine, and then lift and place the machine on the corner bracket pads of the mobile base (see **Page 5**).

If the machine is top heavy or has a narrow base (such as a drill press), there is an increased risk when moving it around on a mobile base. To reduce the risk, a mounting base plate should be used between the mobile base and machine (see **Page 12**).

If the machine is too heavy to lift into position on the mobile base, then the base can be built around the machine. For instructions on how to build the base around the machine, refer to **Page 8**.

Note: Anything extending or opening outward within a 3" high band (see **Figure 8**) around the base of the machine may interfere with the installation of the machine on the base, so be sure to account for that prior to assembly.

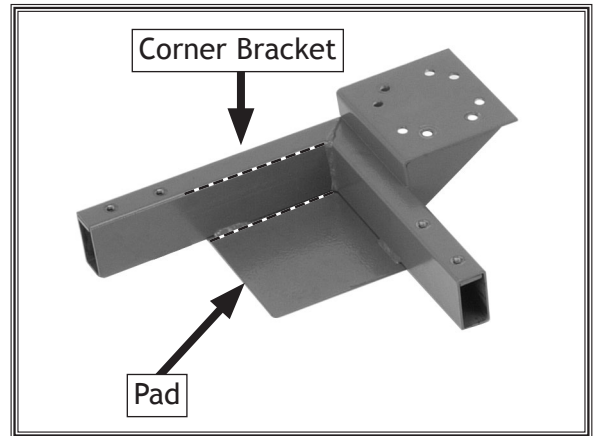


Figure 7. One of four corner bracket pads machine will sit on.



Figure 8. Example of 3" high band on machine base.

CAUTION

Lift heavy machinery carefully and with the proper equipment. Get assistance if needed to reduce the risk of lifting injuries.

Assembling Base & Mounting Machine

1. Mount the two swivel casters to the corner brackets with threaded posts (see **Figure 9**), using (4) M8-1.25 x 16 hex bolts, 8mm flat washers, 8mm lock washers, and M8-1.25 hex nuts on each.

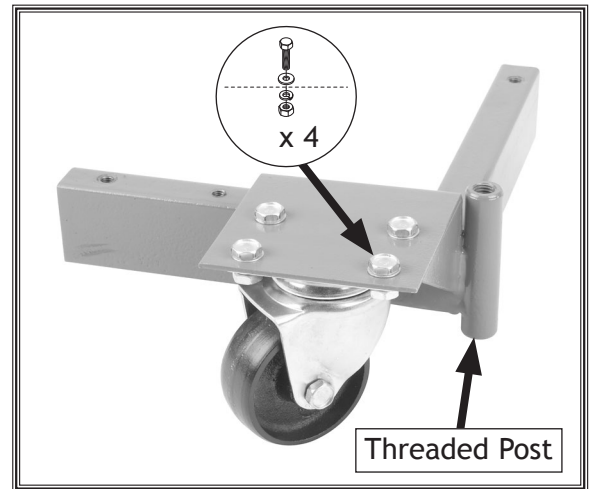


Figure 9. Swivel caster mounted to corner bracket with threaded post.

2. Mount the two fixed casters to the remaining brackets (see **Figure 10**), using (4) M8-1.25 x 16 hex bolts, 8mm flat washers, 8mm lock washers and M8-1.25 hex nuts on each.

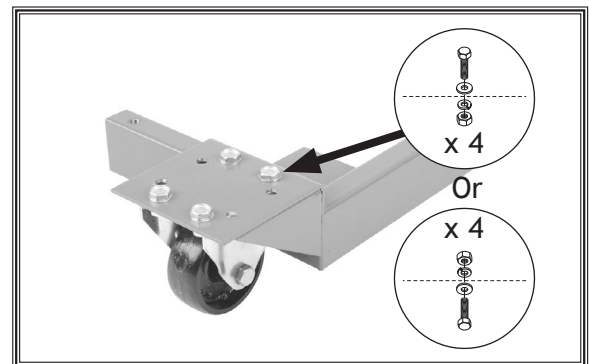


Figure 10. Fixed caster mounted to corner bracket.

3. Orient the fixed casters so they point in the same direction that your machine will typically be moved (see **Figure 11**). Mounting the fixed casters in the wrong direction will make it difficult to move your mobile base.

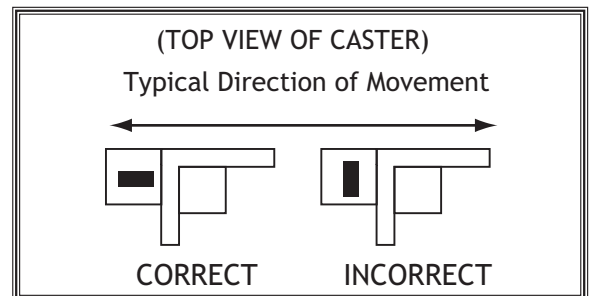


Figure 11. Mounting casters based upon typical direction of movement.

- Position the swivel casters on the "front" or side from which the machine will typically be pushed (see Figure 12).

Note: Wipe a light coat of machine oil onto the top, bottom, and sides of the rail ends before the next step to make it easier to slide the rails into the brackets and simplify later adjustments.

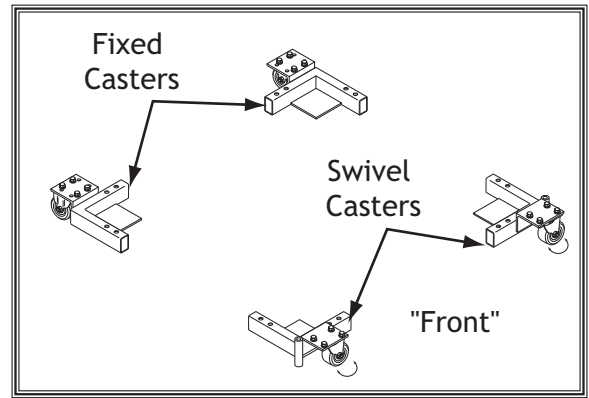


Figure 12. Corner brackets with casters laid out on floor.

- Slide each side rail inside a corner bracket, as shown in Figure 13.
- Adjust the assembly so the inside dimension fits the footprint of your machine.

Note: Side rails may be cut down to accommodate machines with smaller footprints. However, reducing the length of the mobile base decreases stability and increases the likelihood of tipping tall or top heavy machines. Instead, tall or top heavy machines should be mounted on a base plate (see Page 12).

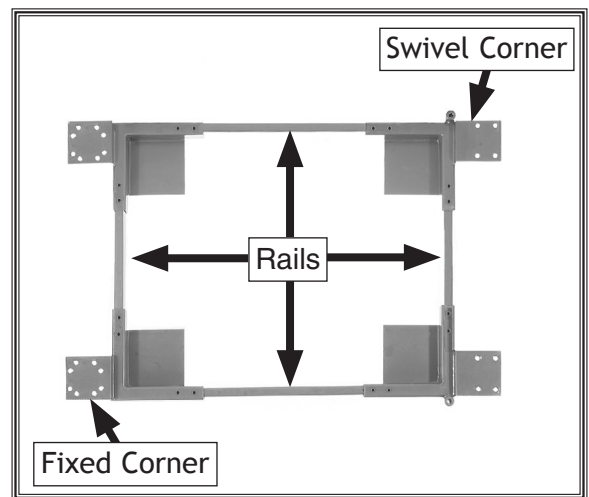


Figure 13. Side rails inserted into corner brackets (casters removed for clarity).

NOTICE

Do not extend the corner brackets beyond the "MAX" line marked on the rails (see Figure 14). Extending the brackets beyond the maximum line may weaken the rail-bracket connections and damage the mobile base.

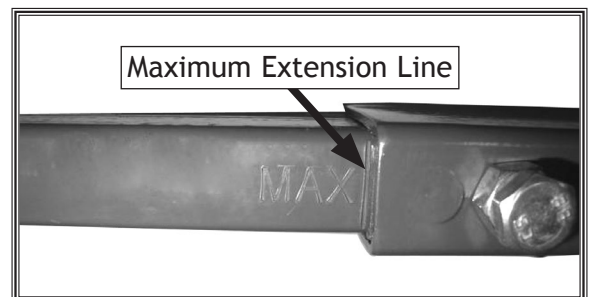


Figure 14. Maximum extension line on rail.

7. Thread (1) 8mm lock nut halfway onto each M8-1.25 X 25 hex bolt with the nylon insert on the nut facing the head of the bolt.
8. Secure each end of the rails to the corner brackets with (2) M8-1.25 x 25 hex bolt and 8mm lock nut assemblies as shown in **Figure 15**. Tighten the lock nuts against the rail.

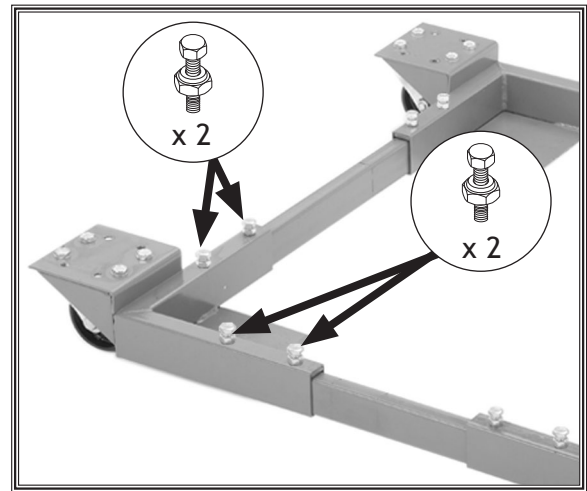


Figure 15. Rails secured to fixed corner brackets.

WARNING

Each side rail-to-corner bracket connection must use both hex bolts, making a total of four bolts at each corner, as shown in **Figure 15**. Do not load a machine onto the base until all of these bolts have been installed and tightened. Loading a machine onto the base before completing assembly can result in the machine falling or tipping over, resulting in serious personal injury.

9. Thread the knobs into the top of each foot post several turns, then insert a foot into the bottom of each foot post, as shown in **Figure 16**. The magnetized knob shaft should pick up the foot when it comes in close proximity.
10. Thread the knobs down to raise the swivel casters off the floor.
11. Lift the machine into position above the mobile base using any necessary help, and lower the machine onto the corner bracket pads.
12. Check to make sure the machine is properly seated on the pads and that there is no sign of stress or deflection in the mobile base.
 - If there is any deflection, immediately remove the machine from the base and check that all fasteners have been tightened and the base is properly assembled. If this does not solve the problem, double check the weight specification of the machine and make certain it does not exceed the load limit listed in **Specifications on Page 1**.

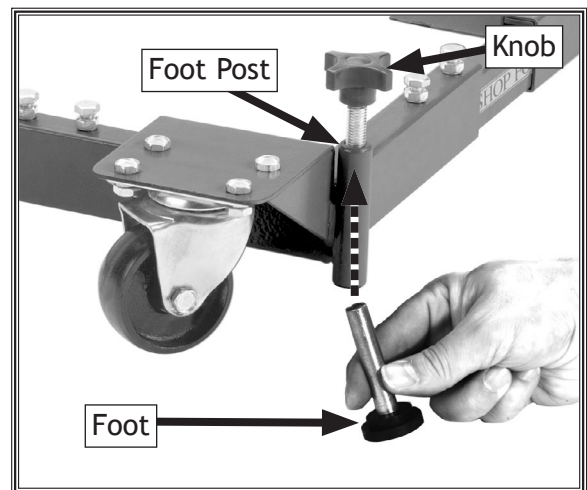


Figure 16. Installing foot pad and knob into a foot post.

Assembling Base Around Machine

1. Thread a knob several turns into each foot post, as shown in Figure 17.
2. Insert a foot into the bottom of each foot post (see Figure 17). The magnetized knob shaft should pick up the foot when it comes in close proximity.

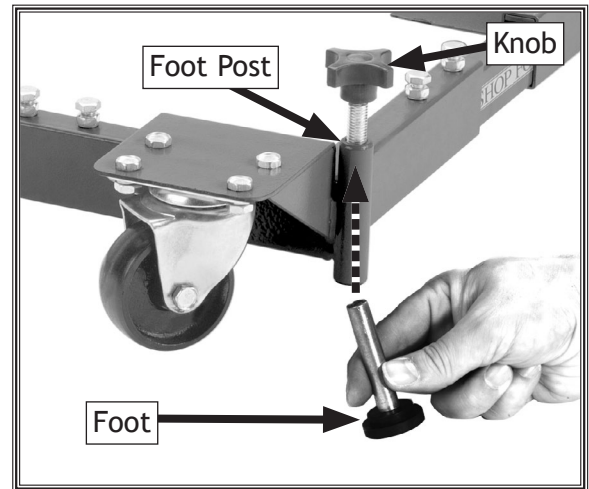


Figure 17. Installing foot and knob into a foot post.

3. Slide a side rail inside each of the two corner brackets with the foot posts, then slide the assembly up against the front of the machine or the side that will be pushed (see Figure 18).
4. Move the corner brackets as close to the machine base as possible.
5. Thread (1) 8mm lock nut halfway onto each M8-1.25 x 25 hex bolt with the nylon insert on the nut facing the head of the bolt.

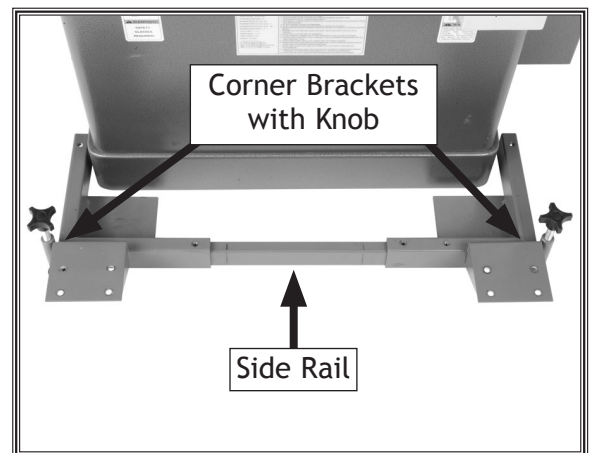


Figure 18. Rail inserted between corner brackets with knobs and feet.

6. Secure each end of the rails to the corner brackets with (2) M8-1.25 x 25 hex bolts and 8mm lock nuts, as shown in Figure 19.

Note: Thread the hex bolts into the rails but do not tighten the lock nuts against the rails until instructed.

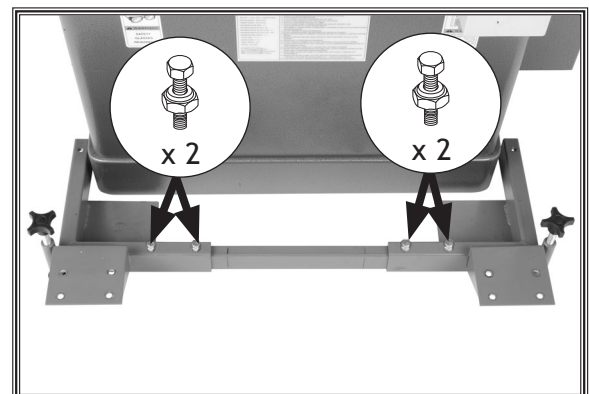


Figure 19. Rail secured to brackets.

- Slide the other ends of the rails into the corner brackets from **Step 6**. Secure each end of the rails to the corner brackets with (2) M8-1.25 x 25 hex bolt and 8mm lock nut assemblies (see **Figure 20**).

- Tighten lock nuts against the rails.

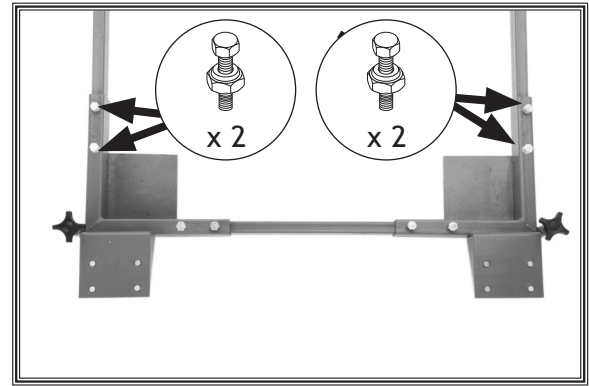


Figure 20. Rails fastened to brackets. (Machine removed from assembly for clarity.)

- While an assistant lifts one side of the machine up, slide the front rail-bracket assembly from **Step 7** under the machine, as shown in **Figure 21**.

Note: It may be necessary to re-adjust the position of the rails once the machine is actually on the base assembly.

Side rails may be cut down to accommodate machines with smaller footprints. However, reducing the length of the mobile base decreases stability and increases the likelihood of tipping tall or top heavy machines. Base plates should be constructed for tall or top heavy machines (see **Page 12**).



Figure 21. Corner bracket-rail assembly placed under front of machine.

- Mount each of the two fixed casters to the remaining corner brackets with the eight hole pattern using (4) M8-1.25 x 16 hex bolts, 8mm flat washers, 8mm lock washers and M8-1.25 hex nuts, as shown in **Figure 22**.

Orient the fixed casters so they point in the same direction that your machine will typically be moved (see **Figure 23**). Mounting the fixed casters in the wrong direction will make it difficult to move your mobile base.

Note: Patience is required when installing the fasteners inside the bottom of the fixed casters due to space constraints.

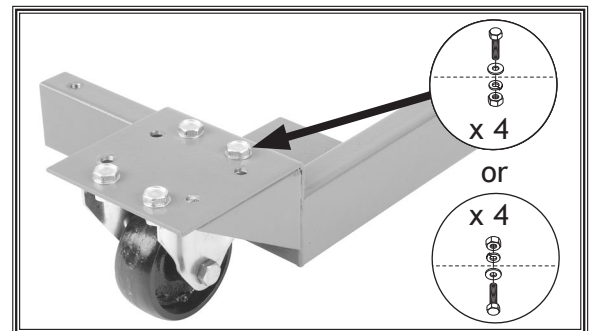


Figure 22. Mounting fixed casters to eight hole pattern corner brackets.

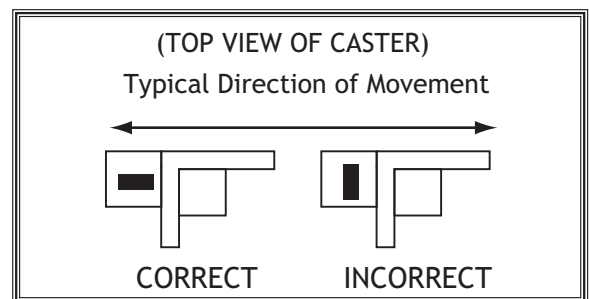


Figure 23. Mounting casters based upon typical direction of movement.

11. With the help of an assistant, lift the rear side of the machine up, then place a 4x4 block under the machine.
12. Slide each of the corner brackets onto the remaining rail, slide the assembly into the rails, over the block and up against the machine, as shown in **Figure 24**.

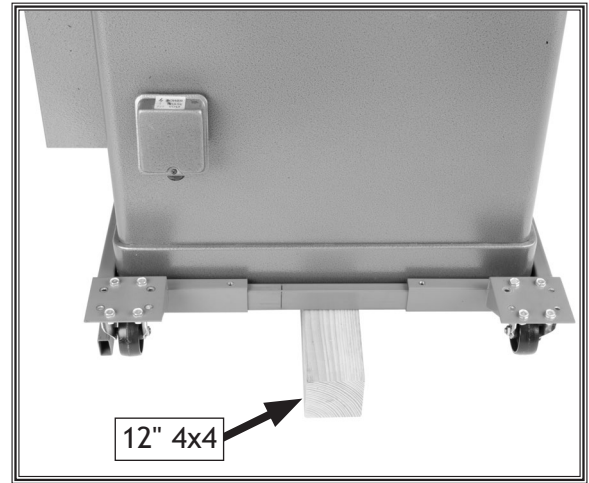


Figure 24. Fixed casters and rail placed around back of machine, which is raised up with a wood block.

13. Secure each end of the rails to the corner brackets with (2) M8-1.25 x 25 hex bolts and 8mm lock nuts, as shown in **Figure 25**.

Note: Thread the hex bolts into the rails but do not tighten the lock nuts against the rails until instructed.

14. Remove the rear rail corner bracket assembly from the 4x4 block.
15. While the assistant steadies the machine, remove the 4x4 block, then set the machine on the ground.

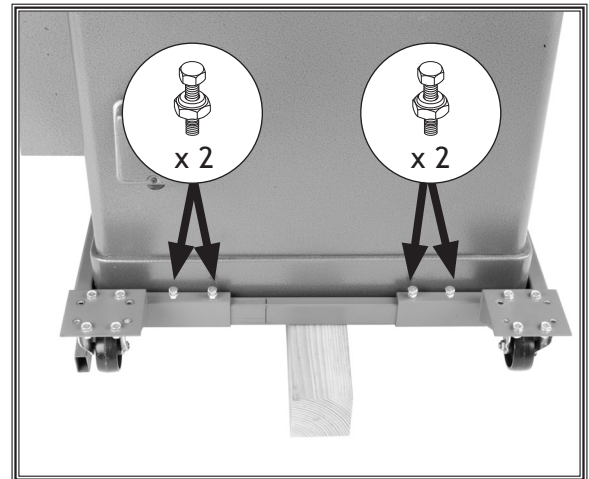


Figure 25. Rear rail fixed caster assembly secured.

16. Put on safety glasses, then use a crowbar and some type of fulcrum to raise one of the side rails that is attached to the front corner bracket assembly. Place a 6" 2x4 under the rail to support it, as shown in **Figure 26**.
17. Repeat **Step 14** to place another 6" 2x4 under the rail on the opposite side of the mobile base.
18. Carefully lean the machine toward the front of the mobile base, making sure there are no large gaps between the machine and the front rail corner bracket assembly.

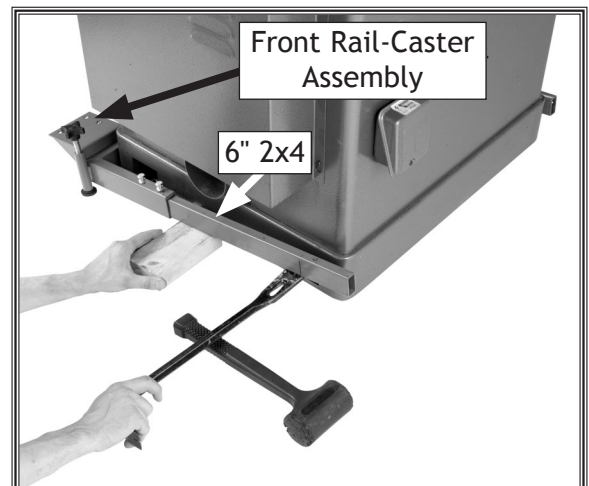


Figure 26. 2x4 placed under rail after using crowbar to raise rail up.

19. While an assistant lifts up on the back of the machine, slide the rear fixed caster assembly onto the side rails of the front rail-corner bracket assembly so the rear assembly is close to the machine base, and the corner pads slide under the machine, as shown in **Figure 27**.

– If the rear assembly is too narrow or too wide to fit onto the side rails, loosen the hex bolts that secure the corner brackets to the rear rail, adjust the width of the rear fixed caster assembly so it slides into the side rails, then retighten the hex bolts.

Note: It may help to place a 6" 2x4 or 2x6 under the base temporarily if you need to adjust the width of the rear fixed caster assembly (see **Figure 27**). Remove the block after you finish adjustments.

Note: You may need to tap the assembly to slide it forward onto the side rails and under the machine.

20. Secure each side with (2) M8-1.25 x 25 hex bolt and 8mm lock nut assemblies, as shown in **Figure 28**.

Note: Thread the hex bolts into the rails but do not tighten the lock nuts yet.

21. Tighten the knobs enough to raise the corner brackets, so you can attach the swivel casters in the next step.

22. Mount each of the two swivel casters to a front corner bracket using (4) M8-1.25 x 16 hex bolts, 8mm flat washers, 8mm lock washers, and M8-1.25 hex nuts, as shown in **Figure 29**.

23. Tighten all of the lock nuts.

24. Remove the 2x4's from the mobile base.

25. Assembly of the mobile base is complete.

Note: The feet must not touch the floor when moving the mobile base, and the feet must be firmly against the floor in order to operate the machine.

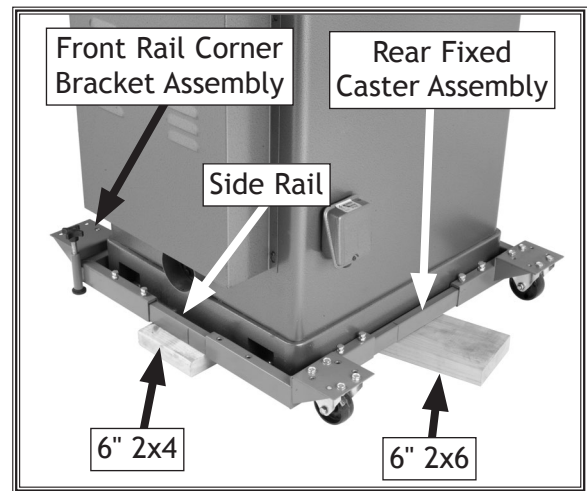


Figure 27. Rear fixed caster assembly inserted into front caster assembly.

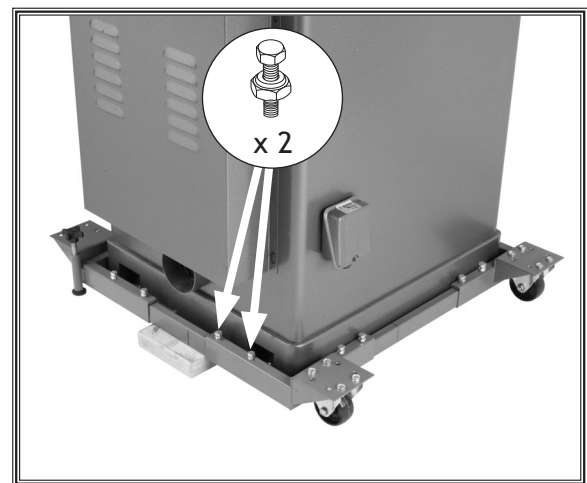


Figure 28. Rear fixed caster assembly secured to side rail.

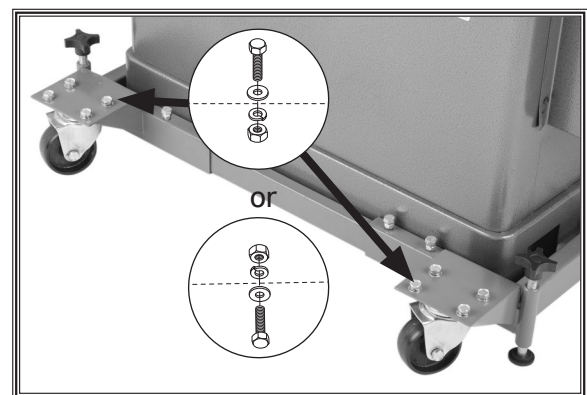


Figure 29. Swivel casters installed.

Making a Base Plate

If the footprint of the machine is too small for the mobile base or the machine doors or fixtures do not clear the side rails, you can mount it to a base plate, as shown in **Figure 30**.

A good quality base plate can increase the standard footprint of machines, such as drill presses, to make them more stable. The base plate must be at least 1½" thick and made of plywood (do not use OSB, MDF, or particle board) to hold the weight of the machine.

Needed Materials for Base Plate

	Qty
• Plywood ¾" x base width x base length	2
• Wood Glue	As Needed
• Wood Screws #6 x 1¼"	24
• Mounting Hardware	Varies

To make and use the base plate, do these steps:

1. Glue the two pieces of plywood together, and align the edges and corners so the two boards make one thick piece.
2. Use the wood screws to fasten the boards together from both sides.
3. Allow 24 hours for the glue to dry before placing your machine on it.
4. Place the base plate on the mobile base.
5. Drill holes through the base plate and the metal plates at the corners of the mobile base.
6. Secure the base plate to the mobile base with hex bolts, hex nuts, flat washers and lock washers, as shown in **Figure 31**.

Note: Use 2" to 2¼" long hex bolts.

7. Place your machine on the base plate.
8. Position the machine close to the front or center of the mobile base, so the mobile base will not be a tripping hazard.
9. Mount the machine to the base plate with lag bolts and flat washers (see **Figure 30**); or drill holes through the base plate and secure the machine with through bolts, flat washers, and hex nuts.

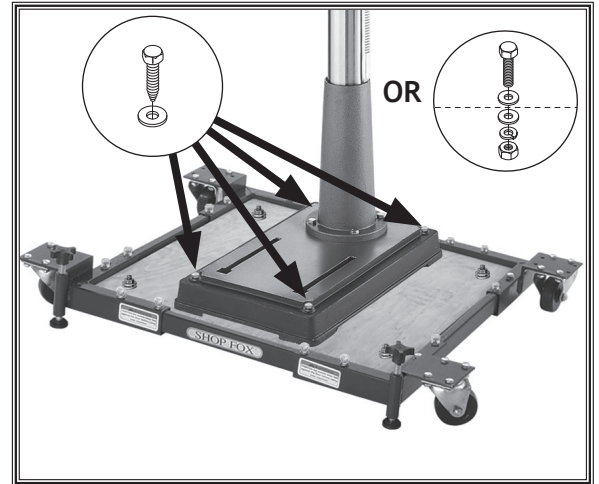


Figure 30. Example of drill press mounted on mobile base, using a base plate for support.

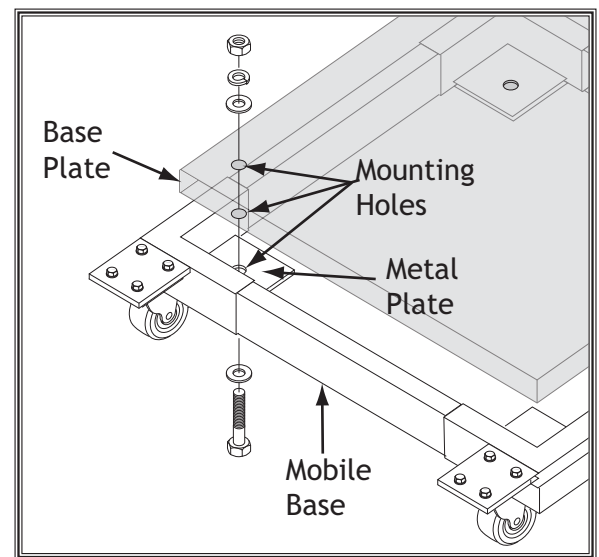


Figure 31. Mounting base plate to mobile base.

Using Mobile Base

1. DISCONNECT THE MACHINE FROM POWER!
2. With the machine mounted on the mobile base, turn the knobs on the corner brackets counterclockwise so the feet clear the floor by at least $\frac{1}{8}$ ".
 - If the floor is uneven, retract the feet completely to eliminate the chance of the pads dragging on the floor.
3. Check to make sure the pathway is clear of all obstructions.

CAUTION

Before moving the machine and mobile base, check to make sure the pathway is clear of any hoses, wires, tools or shop debris. An abrupt impact with an object in the path of travel can lock a wheel and cause the machine to fall over, resulting in serious personal injury. Disconnect the machine from any power supply or dust collection system before moving.

4. Push the machine from the lowest possible point to avoid tipping it over and move it to its new location.

Note: The best control is usually achieved by pushing on the side with the swivel casters.

 - If the machine is large, get an assistant to help stabilize the machine while it is being moved.
5. Turn the knobs until the feet touch the floor, then turn the knobs at least an additional half turn. This will ensure that the major load of the machine is on the feet rather than on the casters.
6. Check the machine to make sure it is stable in its new location, and make sure the machine is clear of any obstructions before reconnecting the power and turning the machine **ON**.

WARNING

Lift heavy equipment carefully and with the proper equipment. Get assistance if needed to reduce the risk of serious personal injury.

WARNING

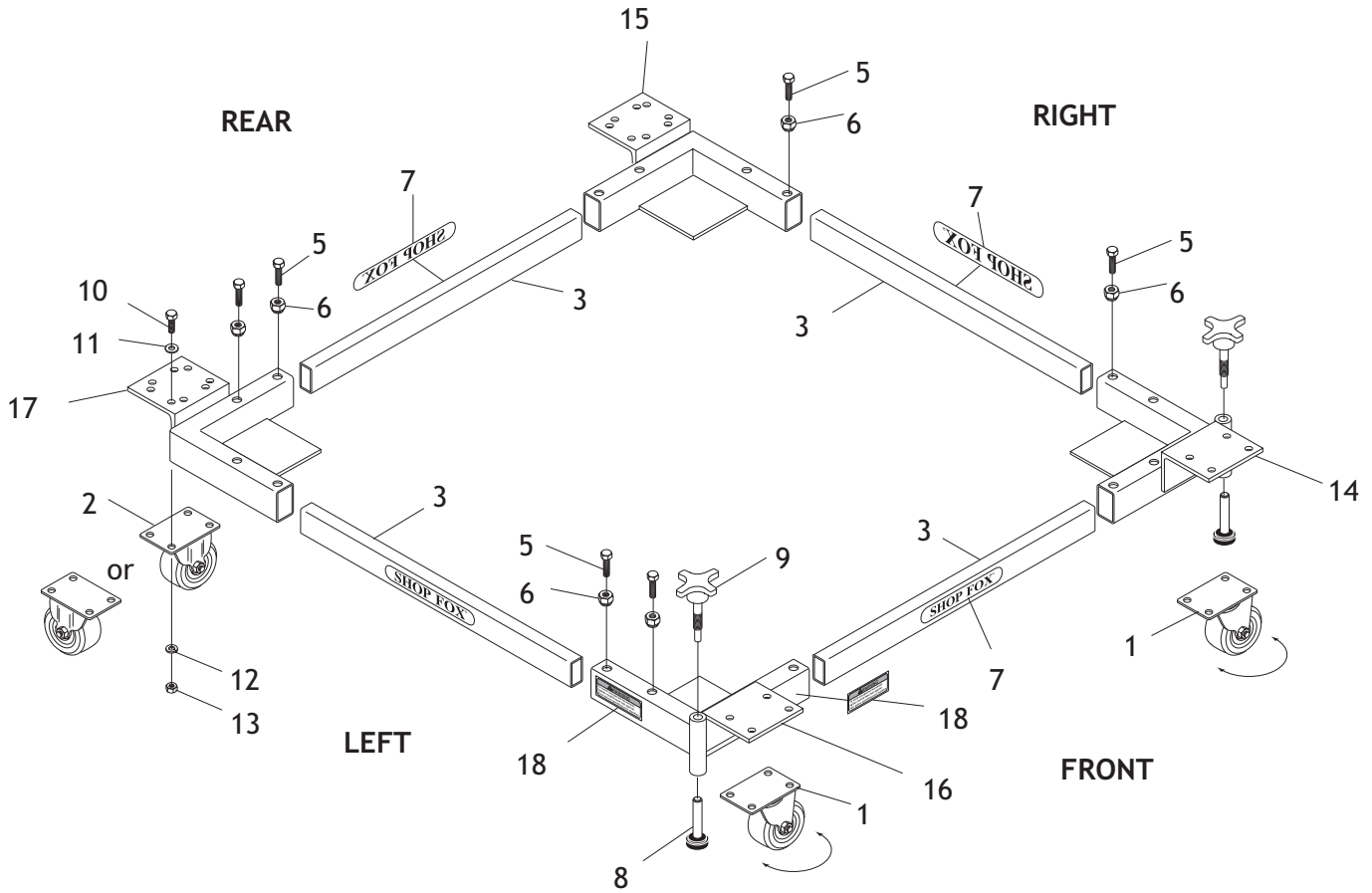
To avoid serious personal injury, keep your hands and fingers clear of machine base and mobile base pinch points when placing the machine.

WARNING

To reduce risk of serious injury when using this mobile base:

1. **LOCKING FEET.** Do not operate the machine on the mobile base unless both mobile base feet firmly contact the floor and raise the base enough to disable the casters. Using the machine on the base when it is not secured could result in a loss of workpiece control.
2. **TIPPING HAZARD.** To avoid tipping it over, push the machine and base at the lowest possible point and have an assistant stabilize the machine if it is large.
3. **PINCH HAZARD.** Keep your hands clear of any potential obstructions between the machine you are moving and other equipment or tables that may protrude into the path of travel.
4. **MACHINE STABILITY.** Test for stability after placing the machine in its new location. Turn the knobs down enough to move the feet against the ground, then push on the machine at several locations, making sure it is not off balance.

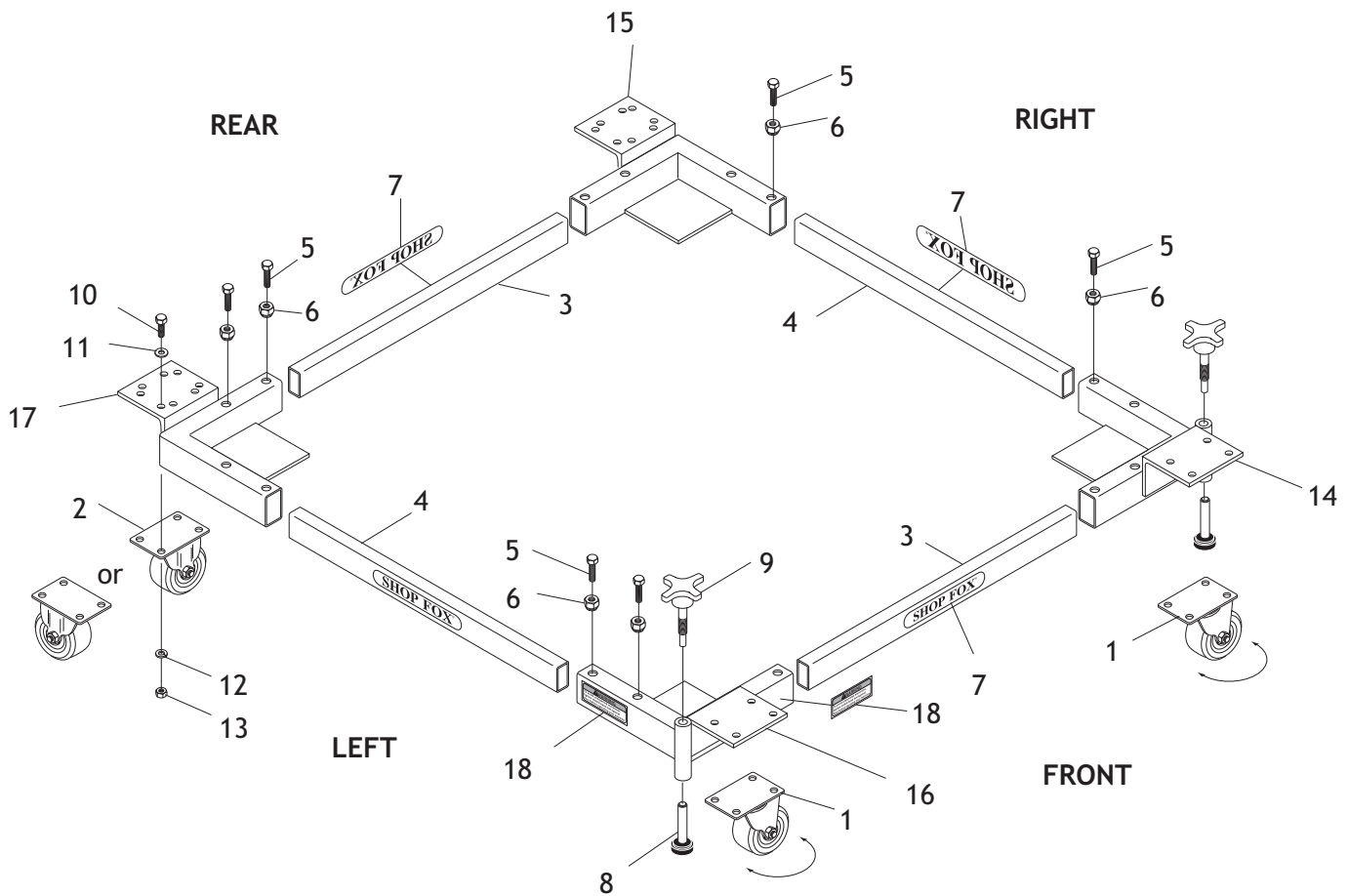
D2057A Parts



REF	PART #	DESCRIPTION
1	XD2057A001	SWIVEL CASTER
2	XD2057A002	FIXED CASTER
3	XD2057A003	RAIL 21-1/4" LONG
5	XD2057A005	HEX BOLT M8-1.25 X 25
6	XD2057A006	LOCK NUT M8-1.25
7	XD2057A007	SHOP FOX LOGO LABEL
8	XD2057A008	FOOT WITH MAGNET
9	XD2057A009	KNOB M12-1.75
10	XD2057A010	HEX BOLT M8-1.25 X 16

REF	PART #	DESCRIPTION
11	XD2057A011	FLAT WASHER 8MM
12	XD2057A012	LOCK WASHER 8MM
13	XD2057A013	HEX NUT M8-1.25
14	XD2057A014	RIGHT CORNER BRACKET W/FOOT POST
15	XD2057A015	RIGHT CORNER BRACKET
16	XD2057A016	LEFT CORNER BRACKET W/FOOT POST
17	XD2057A017	LEFT CORNER BRACKET
18	XD2057A018	TIGHTEN FEET WARNING LABEL

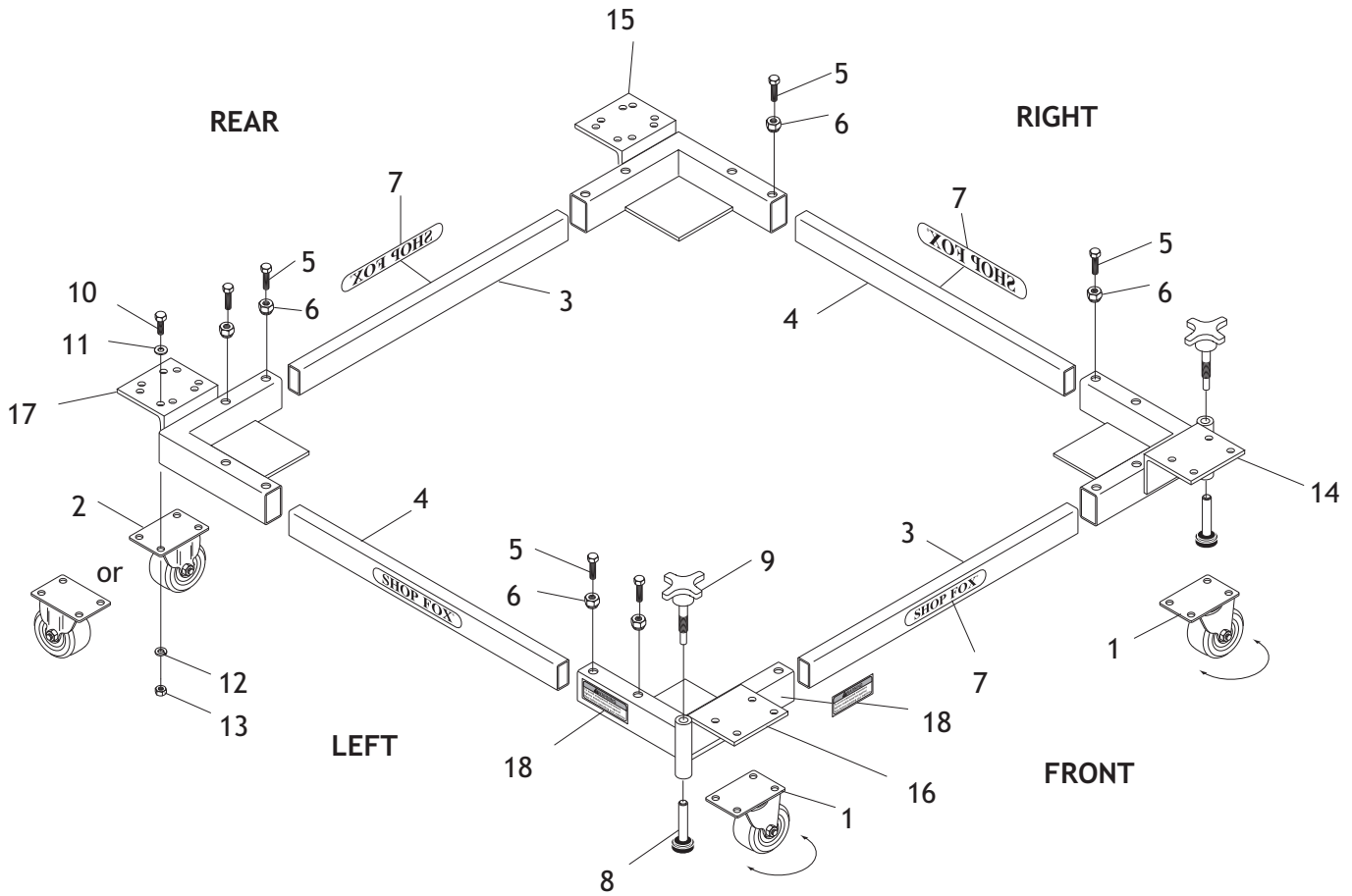
D2058A Parts



REF	PART #	DESCRIPTION
1	XD2058A001	SWIVEL CASTER
2	XD2058A002	FIXED CASTER
3	XD2058A003	RAIL 20" LONG
4	XD2058A004	RAIL 25" LONG
5	XD2058A005	HEX BOLT M8-1.25 X 25
6	XD2058A006	LOCK NUT M8-1.25
7	XD2058A007	SHOP FOX LOGO LABEL
8	XD2058A008	FOOT WITH MAGNET
9	XD2058A009	KNOB M12-1.75

REF	PART #	DESCRIPTION
10	XD2058A010	HEX BOLT M8-1.25 X 16
11	XD2058A011	FLAT WASHER 8MM
12	XD2058A012	LOCK WASHER 8MM
13	XD2058A013	HEX NUT M8-1.25
14	XD2058A014	RIGHT CORNER BRACKET W/FOOT POST
15	XD2058A015	RIGHT CORNER BRACKET
16	XD2058A016	LEFT CORNER BRACKET W/FOOT POST
17	XD2058A017	LEFT CORNER BRACKET
18	XD2058A018	TIGHTEN FEET WARNING LABEL

D2260A Parts



REF PART #	DESCRIPTION
1	XD2260A001 SWIVEL CASTER
2	XD2260A002 FIXED CASTER
3	XD2260A003 RAIL 10-5/8" LONG
4	XD2260A004 RAIL 15-1/8" LONG
5	XD2260A005 HEX BOLT M8-1.25 X 16
6	XD2260A006 LOCK NUT M8-1.25
7	XD2260A007 SHOP FOX LOGO LABEL
8	XD2260A008 FOOT WITH MAGNET
9	XD2260A009 KNOB M12-1.75

REF PART #	DESCRIPTION
10	XD2260A010 HEX BOLT M8-1.25 X 16
11	XD2260A011 FLAT WASHER 8MM
12	XD2260A012 LOCK WASHER 8MM
13	XD2260A013 HEX NUT M8-1.25
14	XD2260A014 RIGHT CORNER BRACKET W/FOOT POST
15	XD2260A015 RIGHT CORNER BRACKET
16	XD2260A016 LEFT CORNER BRACKET W/FOOT POST
17	XD2260A017 LEFT CORNER BRACKET
18	XD2260A018 TIGHTEN FEET WARNING LABEL

Free Manuals Download Website

<http://myh66.com>

<http://usermanuals.us>

<http://www.somanuals.com>

<http://www.4manuals.cc>

<http://www.manual-lib.com>

<http://www.404manual.com>

<http://www.luxmanual.com>

<http://aubethermostatmanual.com>

Golf course search by state

<http://golfingnear.com>

Email search by domain

<http://emailbydomain.com>

Auto manuals search

<http://auto.somanuals.com>

TV manuals search

<http://tv.somanuals.com>