

MODEL W1672 14" BANDSAW



INSTRUCTION MANUAL

Phone: 1-360-734-3482 • On-Line Technical Support: tech-support@woodstockint.com

COPYRIGHT © 2001 BY WOODSTOCK INTERNATIONAL, INC.

**WARNING: NO PORTION OF THIS MANUAL MAY BE REPRODUCED IN ANY SHAPE OR FORM WITHOUT
THE WRITTEN APPROVAL OF WOODSTOCK INTERNATIONAL, INC.**

Printed in Taiwan

Table Of Contents

| | PAGE |
|-------------------------------------|-------|
| 1. INTRODUCTION | 2 |
| ABOUT YOUR NEW BANDSAW | 2 |
| WOODSTOCK SERVICE AND SUPPORT | 2 |
| WARRANTY AND RETURNS | 3 |
| MACHINE SPECIFICATIONS..... | 3 |
| 2. SAFETY FIRST! | 4 |
| SAFETY INSTRUCTIONS | 4-5 |
| BANDSAW SAFETY | 5 |
| ELECTRICAL REQUIREMENTS | 6-7 |
| AVOIDING POTENTIAL INJURIES | 8-9 |
| 3. ASSEMBLY INSTRUCTIONS | 10 |
| BOX CONTENTS | 10 |
| STAND | 11 |
| BANDSAW BODY | 12 |
| MOUNTING MOTOR | 13 |
| QUICK CONNECT CORD..... | 13 |
| MOUNTING TABLE..... | 14 |
| MOUNTING DUST PORT | 14 |
| FENCE/RAILS | 15 |
| 4. ADJUSTMENTS | 16 |
| LOCATION OF CONTROLS | 16 |
| SPEED CHANGES | 17 |
| BLADE INSTALLATION/REMOVAL | 18 |
| BLADE TENSION | 19 |
| TRACKING..... | 20 |
| WHEEL ALIGNMENT | 21-22 |
| BLADE GUIDES | 23-24 |
| TABLE ADJUSTMENTS | 25-26 |
| FENCE ADJUSTMENTS | 27 |
| BLADE LEAD | 28 |
| 5. OPERATIONS | 29 |
| GENERAL | 29 |
| TEST RUN | 29 |
| RIPPING | 30 |
| CROSSCUTTING | 30 |
| CUTTING CURVES | 31 |
| RESAWING | 31-32 |
| STACKED CUTS..... | 32 |
| BLADE SELECTION..... | 33 |
| 6. MAINTENANCE | 34 |
| GENERAL | 34 |
| TABLE AND BASE | 34 |
| LUBRICATION..... | 34 |
| MAINTENANCE SCHEDULE | 35 |
| MAINTENANCE NOTES | 35 |
| WIRING DIAGRAM | 36 |
| 7. CLOSURE | 37 |
| DIAGRAMS AND PARTS LISTS | 38-42 |

USE THE QUICK GUIDE PAGE LABELS TO SEARCH OUT INFORMATION FAST!





INTRODUCTION

ABOUT YOUR NEW BANDSAW

This new Shop Fox® Bandsaw has been specially designed by Woodstock International, Inc. to provide many years of trouble free service. Close attention to detail, ruggedly built parts and a rigid quality control program assure safe and reliable operation.

The Model W1672 Bandsaw is capable of a wide variety of cutting operations in wood. The tilting table allows sawing angles from 10° left to 45° right of the blade. The precision ground table ensures dependable accuracy and the quick release lever for the blade makes changing blades a snap. The W1672 is packaged with a blade, motor and paddle switch with removable safety key.

Woodstock International, Inc. is committed to customer satisfaction in providing this manual. It is our intent to make sure all the information necessary for safety, ease of assembly, practical use and durability of this product be included.

If you should have any comments regarding this manual, please contact us at:

Woodstock International, Inc.
P.O. Box 2309
Bellingham, WA 98227

WOODSTOCK SERVICE AND SUPPORT

We stand behind our machines! In the event that a defect is found, parts are missing or questions arise about your machine, please contact Woodstock International Service and Support at 1-360-734-3482 or tech-support@woodstockint.com. Our knowledgeable staff will help you troubleshoot problems, send out parts or arrange warranty returns.

WARRANTY AND RETURNS

Woodstock International, Inc. warrants all SHOP FOX® machinery to be free of defects from workmanship and materials for a period of 2 years from the date of original purchase by the original owner. This warranty does not apply to defects due directly or indirectly to misuse, abuse, negligence or accidents, lack of maintenance, or to repair or alterations made or specifically authorized by anyone other than Woodstock International, Inc.

Woodstock International, Inc. will repair or replace, at its expense and at its option, the SHOP FOX® machine or machine part which in normal use has proven to be defective, provided that the original owner returns the product prepaid to the SHOP FOX® factory service center or authorized repair facility designated by our Bellingham, WA office, with proof of their purchase of the product within 2 years, and provides Woodstock International, Inc. reasonable opportunity to verify the alleged defect through inspection. If it is determined there is no defect, or that the defect resulted from causes not within the scope of Woodstock International Inc.'s warranty, then the original owner must bear the cost of storing and returning the product.

This is Woodstock International, Inc.'s sole written warranty and any and all warranties that may be implied by law, including any merchantability or fitness, for any particular purpose, are hereby limited to the duration of this written warranty. We do not warrant that SHOP FOX® machinery complies with the provisions of any law or acts. In no event shall Woodstock International, Inc.'s liability under this warranty exceed the purchase price paid for the product, and any legal actions brought against Woodstock International, Inc. shall be tried in the State of Washington, County of Whatcom. We shall in no event be liable for death, injuries to persons or property or for incidental, contingent, special or consequential damages arising from the use of our products.

Every effort has been made to ensure that all SHOP FOX® machinery meets high quality and durability standards. We reserve the right to change specifications at any time because of our commitment to continuously improve the quality of our products.

Machine Specifications

| | |
|---------------------------|--|
| Max. Cutting Width..... | 13 ¹ / ₂ " |
| Max. Cutting Height | 7" |
| Table Size | 14" x 14" |
| Table Height | 42" |
| Blade Speeds | 2300/3200 F.P.M. |
| Blade Size Range | 1/ ₈ " - 1" |
| Blade Length | 101" |
| Motor Size | 1 H.P. 110/220V, 12/6 amps |
| Motor Speed | 1720 R.P.M. |
| Power Transfer | V-Belt Drive |
| Bearings | Shielded & Lubricated Ball Bearings |
| Switch | Paddle ON/OFF Switch, w/ Safety Lock Key |
| Weight..... | 215 lbs. |

SAFETY FIRST!

READ MANUAL BEFORE OPERATING MACHINE FAILURE TO FOLLOW INSTRUCTIONS BELOW WILL RESULT IN PERSONAL INJURY



Indicates an imminently hazardous situation which, if not avoided, **WILL** result in death or serious injury.



Indicates a potentially hazardous situation which, if not avoided, **COULD** result in death or serious injury.



Indicates a potentially hazardous situation which, if not avoided, **MAY** result in minor or moderate injury. It may also be used to alert against unsafe practices.

NOTICE

This symbol is used to alert the user to useful information about proper operation of the equipment.

1. **Thoroughly read the instruction manual before operating your machine.** Learn the applications, limitations and potential hazards of this machine. Keep manual in a safe, convenient place for future reference.
2. **Keep work area clean and well lighted.** Clutter and inadequate lighting invite potential hazards.
3. **Ground all tools.** If a machine is equipped with a three-prong plug, it must be plugged into a three-hole electrical outlet or grounded extension cord. If using an adapter to aid in accommodating a two-hole receptacle, ground using a screw to a known ground.
4. **Wear eye protection at all times.** Use safety glasses with side shields or safety goggles (that meet the national safety standards) while operating this machine.
5. **Avoid dangerous environments.** Do not operate this machine in wet or open flame environments. Airborne dust particles could cause an explosion and severe fire hazard.
6. **Ensure all guards are securely in place and in working condition.**
7. **Make sure switch is in the "OFF" position** before connecting power to machine.
8. **Keep work area clean and free of clutter, grease, etc.**
9. **Keep children and visitors away.** All visitors should be kept a safe distance away while operating unit.
10. **Childproof workshop** with padlocks, master switches or by removing switch keys.
11. **Disconnect machine when cleaning, adjusting or servicing.**
12. **Do not force tool.** The machine will do a safer and better job at the rate for which it was designed.

13. **Use correct tool.** Do not force machine or attachment to do a job for which it was not designed.
14. **Wear proper apparel.** Do not wear loose clothing, neck ties, gloves, jewelry, etc.
15. **Remove adjusting keys and wrenches** before turning the machine on. Make this a habit!
16. **Use proper extension cord.** When using an extension cord, make sure it is in good condition. Use extension cords 100' or less in length that are rated Hard Service (grade 5) or better, and that have a conductor size of 16 A.W.G. A drop in line voltage, loss of power and overheating can result when using an undersized cord. The extension cord must have a ground wire and ground plug pin, as well.
17. **Keep proper footing and balance** at all times.
18. **Do not leave machine unattended**—wait until it comes to a complete stop before leaving the area.
19. **Perform machine maintenance and care.** Follow lubrication and accessory attachment instructions in the manual.
20. **Keep machine away from open flame.** Operating machines near pilot lights and/or open flames creates a high risk if dust is dispersed in the area. Dust particles and an ignition source may cause an explosion. Do not operate the machine in high risk areas, including but not limited to, those mentioned above.

Additional Safety Instructions For Bandsaws

1. **Do not operate bandsaw without wheel covers, pulley covers or blade guards in place.**
2. **Blade replacement, machine adjustments and maintenance are to be done with machine turned off and unplugged.** Allow all moving parts to come to a complete stop before doing any of the above.
3. **Never position fingers in line with blade.** Use push sticks or other safety devices whenever possible.
4. **Never back the workpiece from the blade while bandsaw blade is in motion.** Turn off machine and wait for blade to come to a complete stop before backing workpiece out.
5. **Unplug the machine and test blade tracking and tension before starting the machine.** Blades that are loose or not tracking correctly can come off and cause serious personal injury.
6. **Workpiece should be well supported leading into and out of the cut.** The use of extension tables is recommended.
8. **Use relief cuts to ease operations in tight corners and safely remove waste during long cuts.**
9. **Never reach under table while blade is in motion.**
10. **If at any time you are experiencing difficulties performing the intended operation,** stop using the machine! Then contact our service department or ask a qualified expert how the operation should be performed.
11. **Habits - good and bad - are hard to break.** Develop good habits in your shop and safety will become second-nature to you.

ELECTRICAL REQUIREMENTS

110V Operation

The Shop Fox® W1672 Bandsaw is prewired for 110 volt operation. The motor supplied with your new bandsaw is rated at 1 H.P. and will draw approximately 12 amps. When choosing an outlet for this machine, consider using one with a 15 amp circuit breaker or fuse. Keep in mind that a circuit being used by other machines or tools at the same time will add to the total load being applied to the circuit. Add up the load ratings of all machines on the circuit. If this number exceeds the rating of the circuit breaker or fuse, use a different circuit.

Extension Cords

When it is necessary to use an extension cord, use the following guidelines:

- Use cords rated for Hard Service
- Never exceed a length of 100 feet
- Use cords with 14 ga. wire or bigger
- Insure cord has a ground wire and pin
- Do not use cords in need of repair

Grounding

This machine must be grounded! See **Figure 1B**. The electrical cord supplied with the W1672 comes with a grounding pin. Do not remove it. If your outlet does not accommodate a ground pin, have it replaced by a qualified electrician or have an appropriate adapter installed. **Please note:** When using an adapter, the adapter must be grounded.

⚠ WARNING

This equipment must be grounded. Verify that any existing electrical outlet and circuit you intend to plug into is actually grounded. If it is not, it will be necessary to run a separate 12 A.W.G. copper grounding wire from the outlet to a known ground. Under no circumstances should the grounding pin from any three-pronged plug be removed or serious injury may occur.

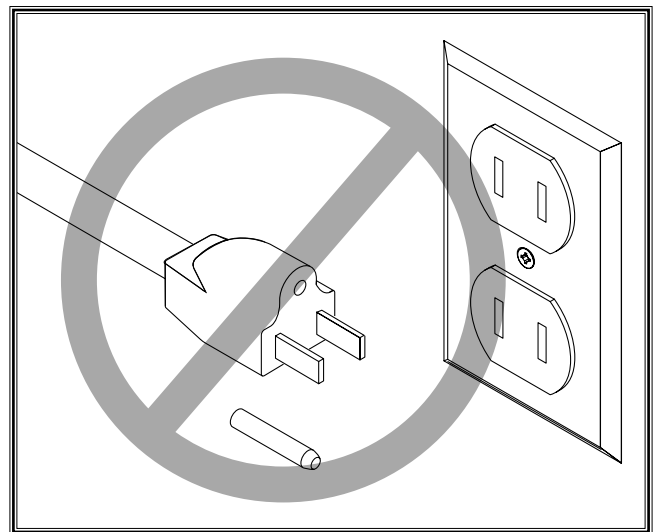


Figure 1A. Never remove the grounding pin!

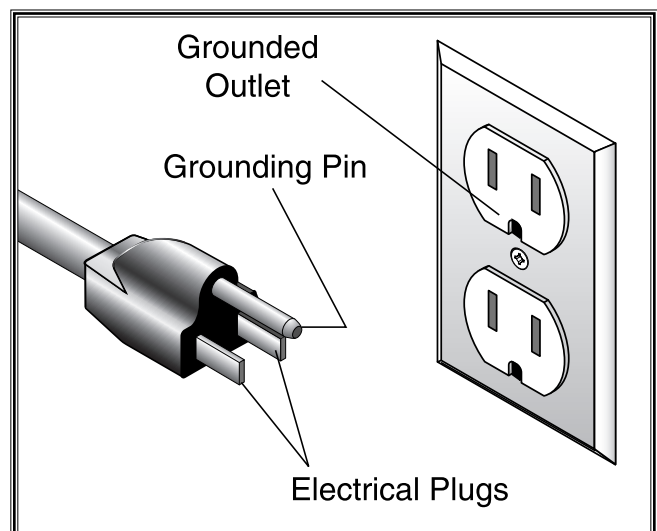


Figure 1B. Typical 110V 3-prong plug and outlet.

220V Operation

⚠️ WARNING

This equipment must be grounded. Verify that any existing electrical outlet and circuit you intend to plug into is actually grounded. If it is not, it will be necessary to run a separate 12 A.W.G. copper grounding wire from the outlet to a known ground. Under no circumstances should the grounding pin from any three-pronged plug be removed or serious injury may occur.

The Shop Fox® W1672 14" Bandsaw can also be operated at 220 volts. To do this, consult with the wiring diagram in the back of this manual. Also, you will need a NEMA-style 6L-15A plug and outlet.

The motor supplied with your new bandsaw is rated at 1 H.P. and will draw approximately 6 amps during 220 volt operation. When choosing an outlet for this machine, consider using one with a 15 amp circuit breaker or fuse. Keep in mind that a circuit being used by other machines or tools at the same time will add to the total load being applied to the circuit. Add up the load ratings of all machines on the circuit. If this number exceeds the rating of the circuit breaker or fuse, use a different circuit.

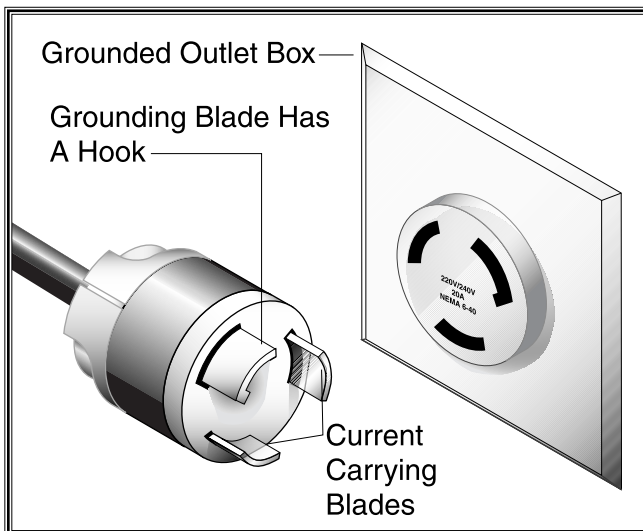


Figure 2. Typical 220V 3-prong plug and outlet.

Extension Cords

We do not recommend using an extension cord for 220V equipment. Instead, arrange the placement of your machinery and installed wiring to eliminate the need for extension cords. If you must use an extension cord, make sure it is rated Hard Service (grade S) or better. The extension cord must always contain a ground wire and plug pin. Always repair or replace extension cords when they become worn or damaged.

NOTICE

Never replace the circuit breaker with one rated at a higher amperage, or damage to the circuit may occur.

Grounding

This machine must be grounded! See Figure 2. The electrical cord supplied with the W1672 does not come with a 220 volt plug. Use a plug with a ground pin. If your outlet does not accommodate a ground pin, have it replaced by a qualified electrician or have an appropriate adapter installed and grounded properly. An adapter with a grounding wire does not guarantee machine will be grounded. Ground source must be verified.

AVOIDING POTENTIAL INJURIES



Figure 3. Unplug saw before changing blades.



Figure 4. Never start motor with covers open.



Figure 5. Remove safety key when not in use.



Figure 6. Use push sticks whenever possible.

AVOIDING POTENTIAL INJURIES

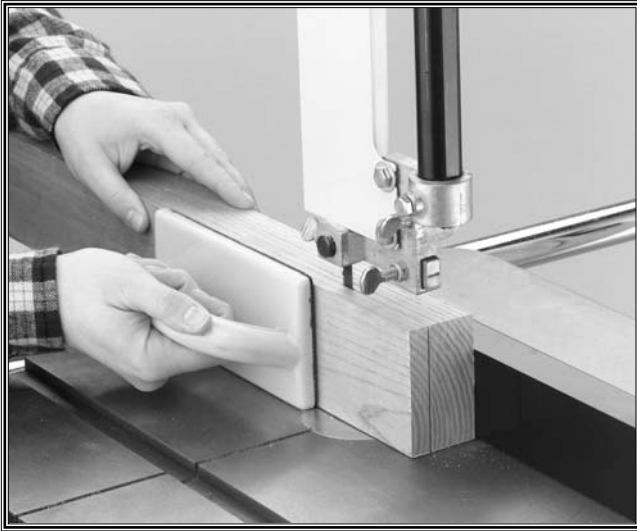


Figure 7. Use push blocks when necessary.

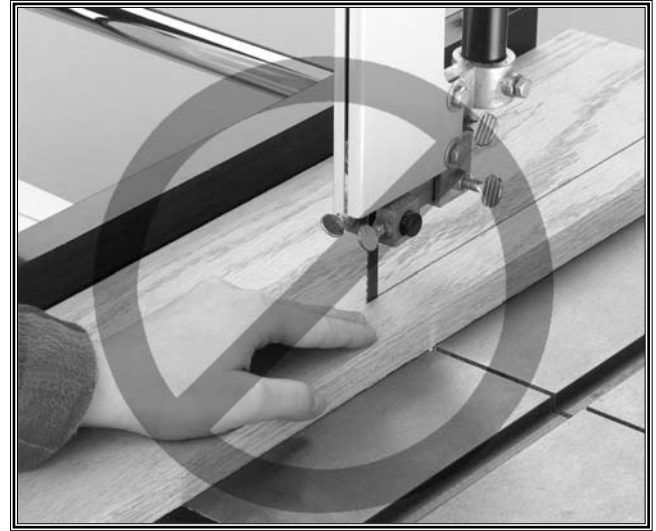


Figure 8. Never place hands in line of cut.



Figure 9. Use relief cuts for tight curves.

ASSEMBLY INSTRUCTIONS

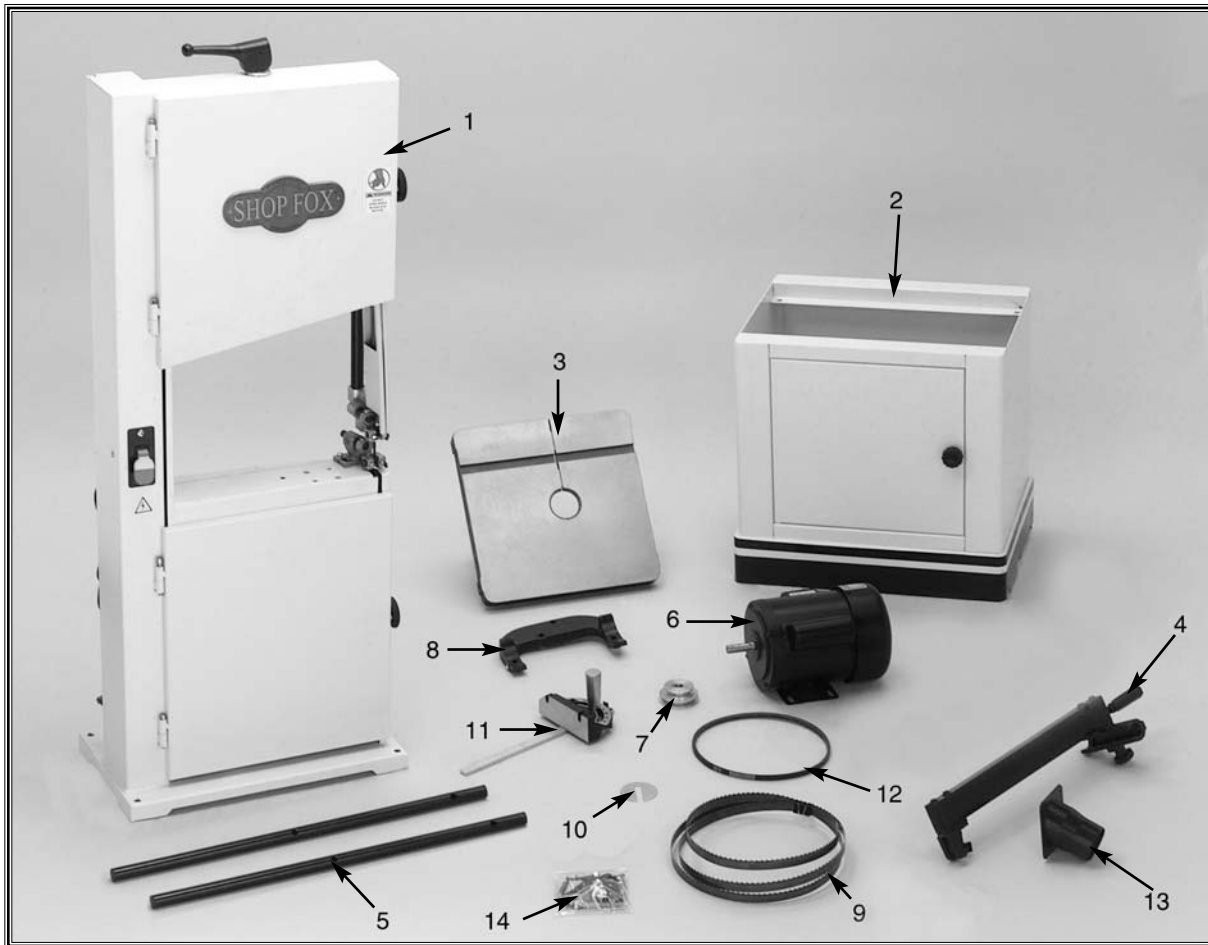


Figure 10. Components laid out for identification.

The following is a description of the components shipped with the Shop Fox® W1672 14" Bandsaw. It is recommended that the components be laid out in a similar fashion to those in **Figure 10**. This will help in identification before beginning assembly. Should any part be missing, examine the packaging carefully to be sure none are among the packing materials. If any key parts are missing, contact Woodstock International, Inc. at 360-734-3482 or tech-support@woodstockint.com.

- | | |
|--------------------|---|
| 1. Bandsaw Body | 8. Trunnion Support |
| 2. Cabinet Stand | 9. $\frac{3}{8}$ " Bandsaw Blade |
| 3. Table | 10. Table Insert |
| 4. Fence | 11. Miter Gauge |
| 5. Fence Rails (2) | 12. V-Belt |
| 6. Motor | 13. Dust Port |
| 7. Motor Pulley | 14. Bag of Hardware (see next page for detailed contents) |

Hardware

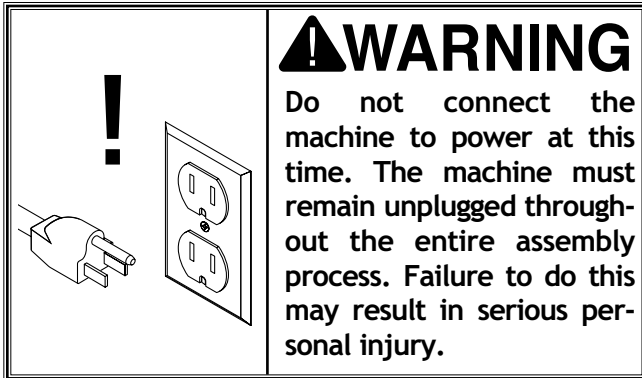


Figure 11. Bandsaw stand.

- (4) Carriage Bolts $\frac{3}{8}$ "-16 x 2"
- (4) Flat Washers $\frac{3}{8}$ "
- (5) Hex Nuts $\frac{3}{8}$ "-16
- (4) Carriage Bolts $\frac{5}{16}$ "-18 x 1"
- (4) Phillips® Head Screws 10-20 x $\frac{1}{2}$ "
- (6) Flat Washers $\frac{5}{16}$ "
- (4) Lock Washers $\frac{5}{16}$ "
- (4) Hex Nuts $\frac{5}{16}$ "-18
- (2) Hex Bolts $\frac{5}{16}$ "-18 x $1\frac{1}{4}$ "
- (1) 3mm Allen® Wrench
- (1) 5mm Allen® Wrench
- (1) 12mm Open End Wrench
- (1) Setscrew $\frac{1}{4}$ "-20 x $\frac{1}{4}$ "
- (1) Hex Bolt $\frac{3}{8}$ "-16 x $2\frac{1}{2}$ "
- (1) Knob $\frac{5}{16}$ "-18 x 1" (stand)
- (1) Lock Nut $\frac{5}{16}$ "-18" (stand)
- (1) Knob $\frac{3}{8}$ "-16 x 1" (table)
- (1) Pin 3 x 10 (table)
- (4) Cap Screws M6-1 x 30 (fence)
- (1) Knob $\frac{3}{8}$ "-16 x $\frac{3}{4}$ " (fence)
- (4) Spacer Sleeves (fence)

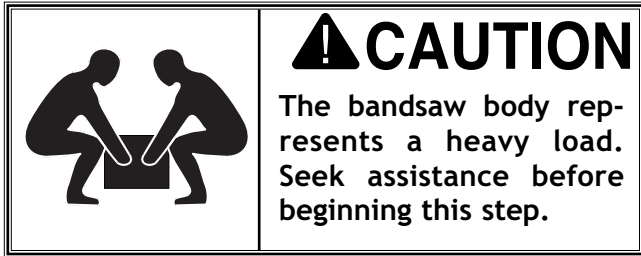
While the main components of the Shop Fox® W1672 14" Bandsaw are assembled at the factory, some assembly is required. The following is the recommended sequence best suited for final assembly.

Stand

The W1672 Bandsaw stand (Figure 11) should be placed on a hard, flat floor. There should be enough area surrounding the bandsaw to allow proper working clearances. Make sure to place the stand so the cabinet door is in front.

With the door open, insert the $\frac{5}{16}$ "-18 x 1" knob into the door of the stand. Thread the $\frac{5}{16}$ " lock nut onto the knob. Leave enough play so you can still rotate the knob to tighten/untighten the door to the stand body.

Bandsaw Body



1. Seek assistance and place the bandsaw body next to the stand. Rotate the bandsaw body so the access door on the bandsaw body is facing the same way as the cabinet door.
2. For safety, remove the bandsaw blade. To do this, open the upper and lower doors on the bandsaw body. Lift the tensioning handle up and carefully remove blade. See **Figure 12**. If the blade is hard to remove with the tensioning handle up, rotate the handle counterclockwise to release the pressure. See **Blade Changes** section for more details.
3. Lift the bandsaw body with the help of an assistant. The foot of the bandsaw body will fit into the pocket in the top of the stand.



Figure 12. Lifting tensioning handle.

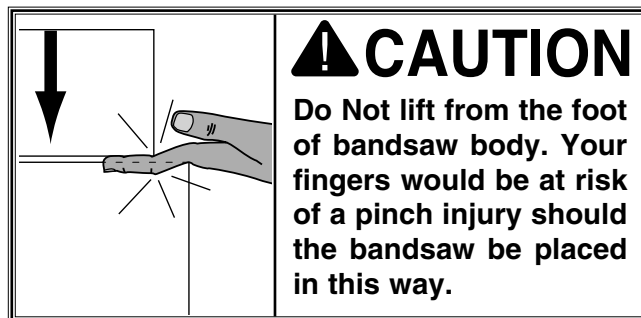


Figure 13. Securing bandsaw body.

4. Secure the bandsaw body as in **Figure 13** with the (4) $\frac{3}{8}$ "-16 x 2" carriage bolts, $\frac{3}{8}$ " hex nut and flat washers provided.



Figure 14. Installing pulley on motor.



Figure 15. Installing motor.



Figure 16. Plugging motor to switch.

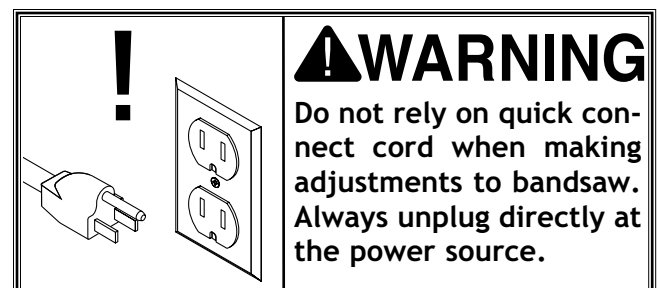
Mounting Motor

1. Make sure the key is in place in the keyway on the motor shaft. Align the keyway and slide the motor pulley onto the motor shaft as far as it will go. **Figure 14.**
2. Align pulley with the hole in the back of the bandsaw body. Slide the motor until mounting holes align with those in top of the stand. **Figure 15.**
3. Secure the motor with the (4) $\frac{5}{16}$ "-18 x 1" carriage bolts, $\frac{5}{16}$ " hex nuts, lock washers and flat washers provided.
4. Line the motor pulley up with the lower wheel pulley and tighten the setscrew with the Allen® wrench provided.

Quick-Connect Cord

To eliminate troublesome wiring, the motor for your bandsaw has a quick-connect cord that leads from the motor to the switch. The receptacle end of this cord comes out of the bandsaw body near the motor and the plug end of the cord is already attached to the motor.

1. Locate the two plug ends and connect them together as shown in **Figure 16.**
2. **Do Not** become confused with the switch-to-power cord. It will not fit in the quick-connect receptacle. **Do Not** plug the switch-to-power cord into the power source at this time.



Mounting Table

The table is secured to the bandsaw by two trunnions mounted to its bottom surface. These, in turn, have threaded studs that work to lock the table's angle with respect to the blade. In order to mount the table, you must first mount the trunnion support.

Secure the trunnion support with the (2) $\frac{5}{16}$ "-18 x $1\frac{1}{4}$ " hex bolts and $\frac{5}{16}$ " flat washers as shown in **Figure 17**.

Next, partially insert the positive stop bolt (Hex Bolt $\frac{3}{8}$ "-16 x $2\frac{1}{2}$ ") with a $\frac{3}{8}$ " hex nut threaded halfway up the length. The location for the positive stop bolt is shown in **Figure 17**.

To mount the table:

1. You should have removed the bandsaw blade as stated in **step 2** of the "Bandsaw Body" assembly instructions. If you haven't done this, do it now.
2. Rotate table until the table pin points away from the bandsaw body.
3. Look under table and align threaded studs with holes in the table support. Allow table to rest on the trunnions, making sure the studs go through the support.
4. Secure table as shown in **Figure 18** with the two hand knobs provided.

Mounting Dust Port

There is a vent in the body of the bandsaw directly under the table. Attach the dust port over this vent with the (4) 10-24 x $\frac{1}{2}$ " Phillips® head screws as shown in **Figure 19**.



Figure 17. Attaching trunnion support to body.



Figure 18. Securing table with the hand knobs.



Figure 19. Installing dust port.



Figure 20. Rail placement.

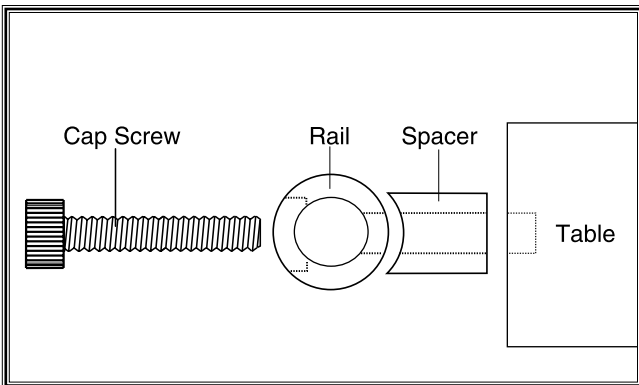


Figure 21. Rail assembly.



Figure 22. Securing rail with cap screw.

Fence/Rails

The fence is secured to the table with 2 rails. The rails are fastened to the front and back edges of the table with 4 socket head cap screws and spacer sleeves. The fence is most often used between the blade and the bandsaw body upright, so place the rails as shown in Figure 20.

To install the rails and fence, follow the instructions below:

1. Start a socket head cap screw through the hole in the end of the rail, then add the spacer and thread into the hole on the outside, back edge of the table as shown in Figure 21. Do not tighten at this time.
2. Secure the rest of the rail by placing a socket head cap screw through the remaining hole, add the spacer and thread into the hole in the back edge of the table as shown in Figure 22.
3. Tighten both screws and repeat for the other table edge.
4. Loosen upper knob on fence and hook the other end of fence onto the fence rail. Install the adjustment knob.
5. Slide the fence on the rails (See Figure 23), beyond the hole in the table where the blade will go.



Figure 23. Starting fence on rail.

ADJUSTMENTS

Location of Controls

Take the time to familiarize yourself with the controls of your new bandsaw. They will be frequently mentioned throughout the instructions in this manual, and the better you know your machine, the better you can make it perform. **Figures 24, 25 and 26** point out the key controls and their locations.

| | |
|--|---|
| | <p>⚠ WARNING DO NOT adjust the band-saw while it is running. Wait until the machine is turned off, unplugged and all working parts have come to a complete stop before proceeding!</p> |
|--|---|

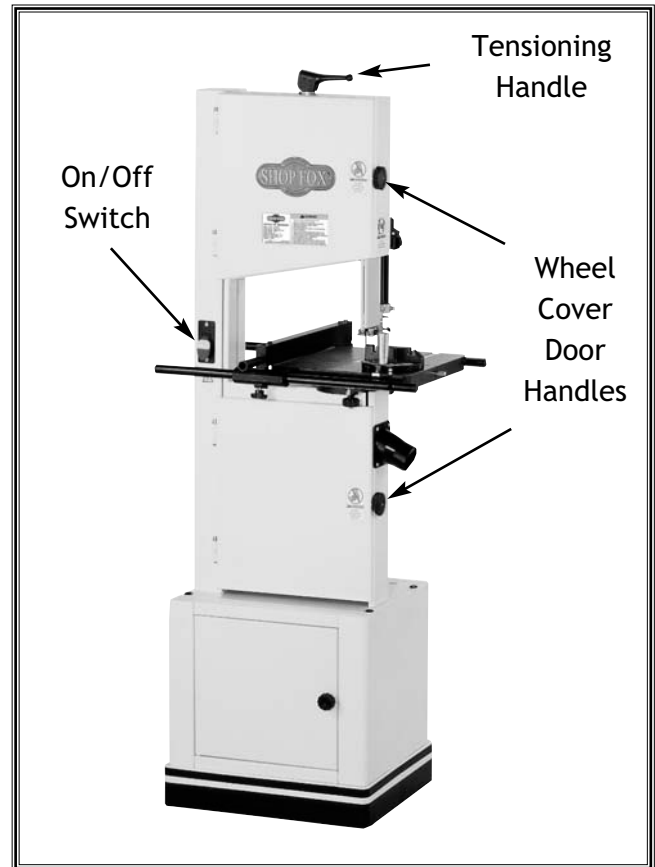


Figure 24. Model W1672 14" Bandsaw.

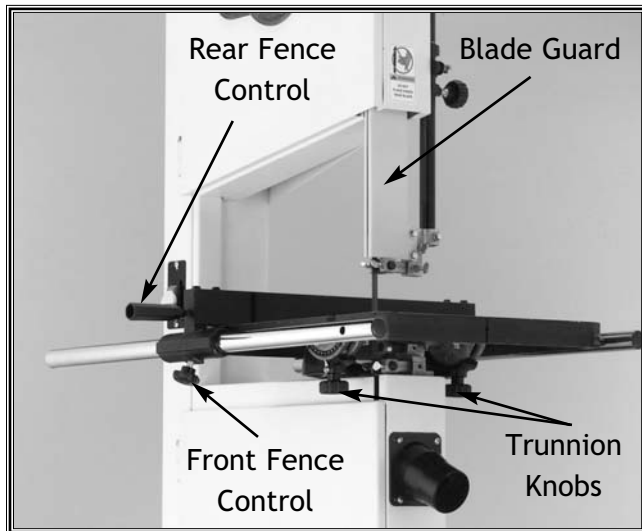


Figure 25. Front location of controls.

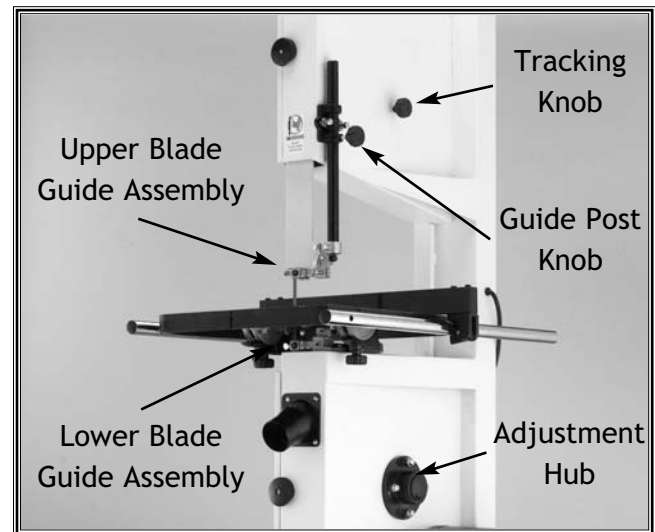


Figure 26. Rear location of controls.

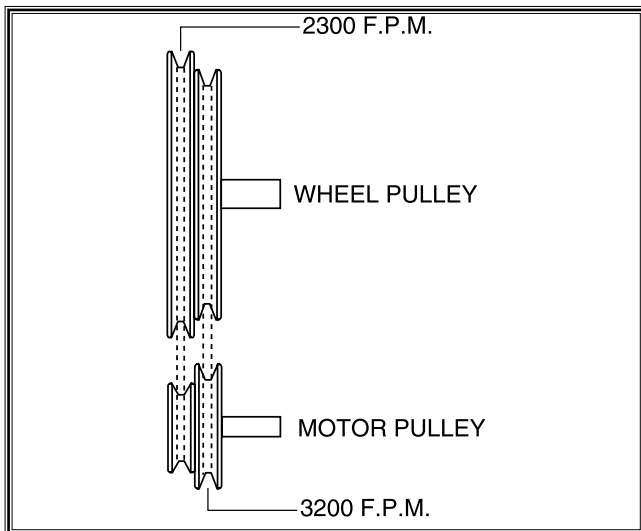


Figure 27. Diagram of speed options.



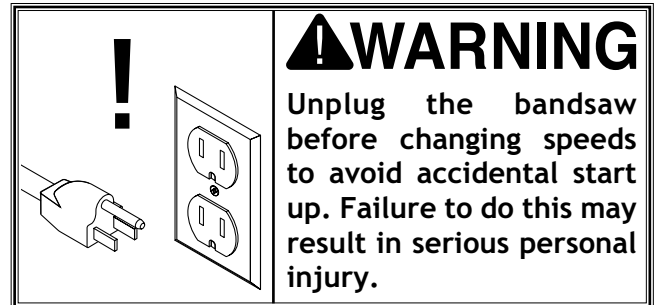
Figure 28. Speed pulley (lower wheel removed for clarity).



Speed Changes

The speed diagram in Figure 27 is included to help illustrate belt positions necessary to produce the available speeds. Select the proper speed for the job at hand and move the belts to the desired location.

There are three factors in determining necessary blade speed: the type of blade, the material being cut, and the feed rate at which the material will be cut. Harder wood should be cut at a slower speed with a fine blade. On the other hand, a coarse blade at a faster speed will clear sawdust more effectively.



Unplug the bandsaw before changing speeds. The bandsaw has 2 speeds: 2300 and 3200 F.P.M. Decide which is practical for your specific needs.

1. Loosen the motor mount bolts and slide the motor toward the wheel to loosen the belt.
2. Move the belt in the desired direction. Rotate the pulley (See Figure 28) to force the belt into the next groove.
3. Slide the motor away from the wheel to tighten the belt. Make sure the belt is tight enough so it won't come off or slip on the pulley.
4. Secure the motor mount bolts back to the body of the bandsaw.
5. Close the cover.

Install/Remove Blades

To remove the blade:

1. Remove the table insert as in **Figure 29**.
2. Pull out the steel pin at the end of the blade slot in the table.
3. Loosen the guide blocks by turning the thumbscrews counterclockwise and retract guide blocks away from the blade.
4. Lift the tensioning handle. Turn the handle (counterclockwise) if the blade is still too tight.
5. Put on leather gloves to protect your hands from the blade teeth. Carefully remove the blade from the wheel. Work it through the blade guard and guide assemblies.

Hint: It may help to slowly spin the wheel by hand as you are pulling the blade. This will force the blade off if there is slight pressure.

To install the blade:

1. With the table pin and insert removed, open the upper and lower wheel covers, then put on leather gloves.
2. Ensure the teeth of the blade point down on the right hand side, then slide the blade through the table slot as in **Figure 30**.
3. When the blade is in the center of the table, rotate it directly in front of both wheels.
4. Fit the blade through the blade guard and between the upper and lower guide blocks.
5. Place the blade along the bottom wheel and fit as much as you can on the top wheel. If it is a little tight, loosen the blade tension until it fits.
6. When blade is on both wheels and not impaired by the guide blocks or blade guard, tighten it just enough to keep it on the wheel. Read the next section for proper tension.

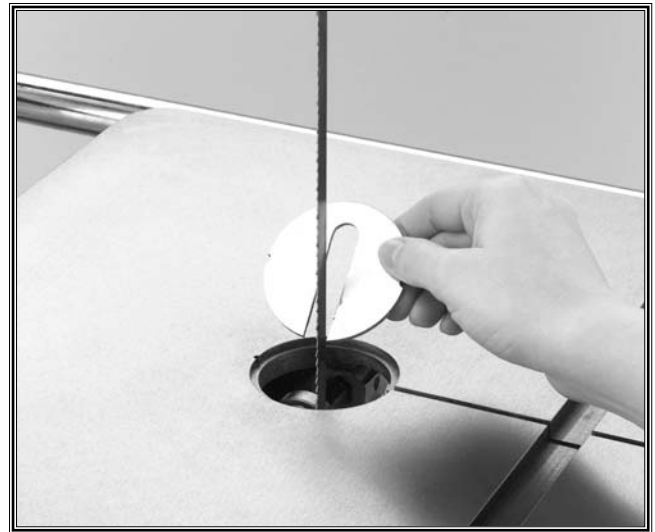
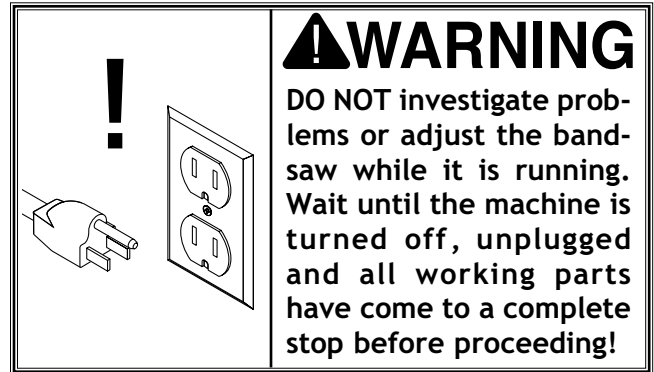


Figure 29. Removing table insert.



Figure 30. Sliding blade through table slot.

Blade Tension

Blade tension is one of the most critical factors in the performance of your bandsaw. The blade must be tight enough so it does not sway during a cut, yet stay flexible enough to bend around the wheels.

Many factors determine the ideal tension for every situation. For example, consider the width and sharpness of blade being used, the thickness and hardness of the material being cut and the feed rate at which it is cut when determining tension.

To adjust blade tension:

1. Make sure bandsaw is **unplugged** from the power source.
2. With the tensioning handle in down position, rotate clockwise to tighten the blade. Rotate the handle counterclockwise to loosen the blade.



Figure 31. Checking blade deflection.

Note: Because of the many factors involved, there is no concrete rule for blade tension. However, there are two common methods for adjustment: **Sound** and **Deflection**.

To tighten your blade by sound:

1. With the blade on both upper and lower wheels, tighten blade moderately. Remove the blade guard and clear the guide blocks away from the blade.
2. Progressively increase the tension, while plucking the blade along the way.
3. You want to achieve a tightness that resembles a musical tone when the blade is plucked. If the sound starts decreasing in volume, the blade is too tight. Aim for the clearest musical tone possible.
4. Keep in mind that different blade widths will produce higher or lower tones.

To tighten your blade by deflection:

1. Raise the blade guard.
2. Tighten the blade so that it deflects approximately $\frac{1}{4}$ " with moderate pressure with your finger. **See Figure 31.**
3. Because "moderate pressure" may differ with every individual, this method may not be strictly reliable by measurement.
4. Similar to adjusting the blade by sound, this method will require trial and error practice.

NOTICE

The tensioning handle provides extra leverage that makes it possible to over tighten blade. Ensure you do not overtighten blade or the blade will break.

Tracking

Tracking the blade means positioning it on the wheels so it will not come off during operation. This is usually done by adjusting the tilt of the upper wheel.

Blade tracking is one of the most important adjustments you can make for optimal performance of your bandsaw. A properly tracked blade produces very little vibration and heat, and reduces the chance of binding and wandering when cutting.

There are two ways to track the blade on your bandsaw: **Center tracking** and **coplanar tracking**. Always make sure that your blade is tensioned to the degree that it will be used during operation before adjusting tracking.

To track the blade using center tracking:

1. With the bandsaw **unplugged** from the power source, open the wheel covers. Move the guide blocks and rear support bearings away from the blade.
2. With one hand on the tracking knob (see "Location of Controls" in this manual if you need to identify this), slowly rotate the upper wheel and watch where the blade rides on the tire of the wheel. If the blade gets too close to the edge, you may need to adjust the tracking knob so it does not come off when you spin the wheel. Turning the tracking knob clockwise makes the upper wheel tilt forward and turning counter-clockwise makes it tilt backward.
3. Spin the wheel and turn the tracking knob in the appropriate direction so the blade rides as close to the center of the tire as possible. **See Figure 32.**
4. Readjust the guide blocks and rear support bearings.

Read the next section for coplanar tracking.



Figure 32. Blade centered on wheel.

NOTICE

An over-tensioned blade may be the cause of tracking problems. Adjust to proper tension prior to adjusting tracking. Excessive tension will cause the blade to break.

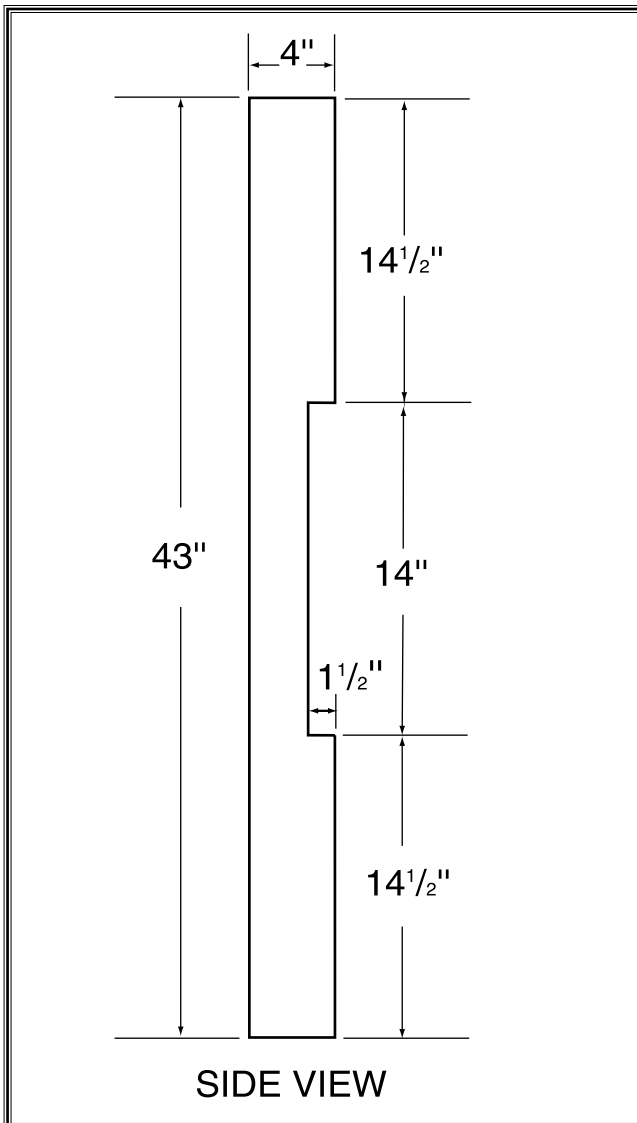


Figure 33. Dimensions of coplanarity gauge.

Wheel Alignment

Wheel alignment is one of the most critical factors for optimal performance from your bandsaw. Heat, vibration, wandering, blade wear, tire wear and overall bandsaw wear are considerably decreased when the wheels are properly aligned or “coplanar.”

Coplanar wheels automatically track the blade by balancing it on the crown of the wheel’s tire. This is known as **coplanar tracking**.

To check if your wheels are coplanar:

1. The body of the bandsaw does not allow you to place a regular straightedge across both wheels at the same time. We’ve found a simple way to overcome this situation. All you need is a 43” x 2” x 4” board and a saw. After you are certain that the board is straight (this can easily be checked with a 4’ level), simply cut a 1 1/2” notch out of the center. Refer to **Figure 33** for more details on how to make this gauge.
2. After you’ve made your coplanarity gauge, remove the fence and table, then open both wheel covers.
3. Make sure the guide blocks and rear support bearings are away from the blade, then tighten your blade to the tension that it will be used during operation.
4. Place your gauge up against both wheels in the positions shown in **Figure 34**.
5. Adjust the tracking knob to get both wheels parallel. If the wheels won’t go parallel to each other, then move the lower wheel at the adjustment hub so they line up.

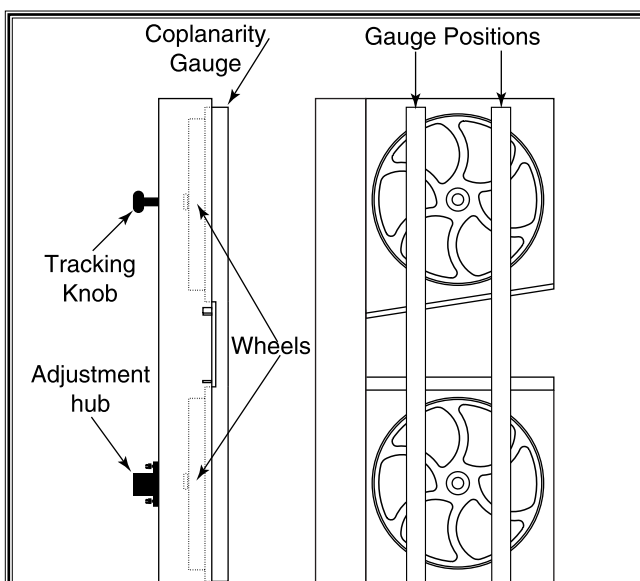


Figure 34. Checking for coplanarity.

Wheel Alignment Cont.

6. If the wheels will go parallel but not coplanar, then move the lower wheel at the adjustment hub (Figure 35) as necessary.
7. The adjustment hub allows you to move the lower wheel in the desired direction. Turning all the bolts clockwise in equal amounts pushes the wheel forward. Turning all the bolts counterclockwise brings the wheel backward, closer to the adjustment hub. Used individually, each bolt can control the direction that the wheel tilts.
8. Figure 36 shows the positions of the wheels when they are coplanar. When your wheels are coplanar, readjust the guide blocks and rear support bearings, and replace the wheel covers.

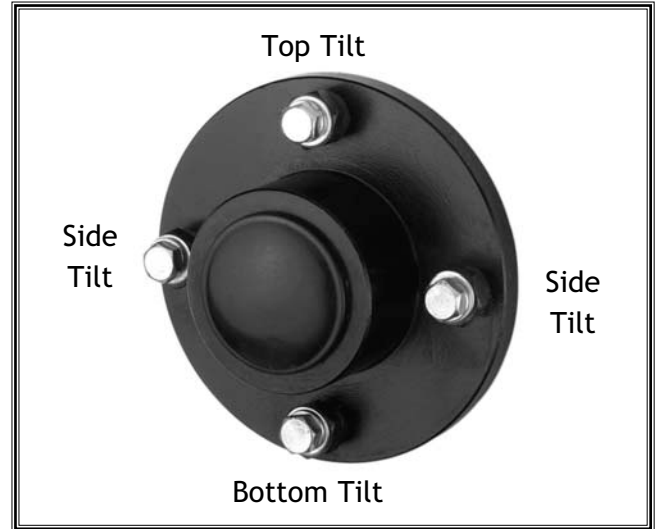


Figure 35. Lower wheel adjustment control.

Note: The blade may track slightly off center when the wheels are coplanar. This is natural because the blade will be balanced on the crown of the tire, rather than just in the center of the tire. This will be more noticeable with larger blades.

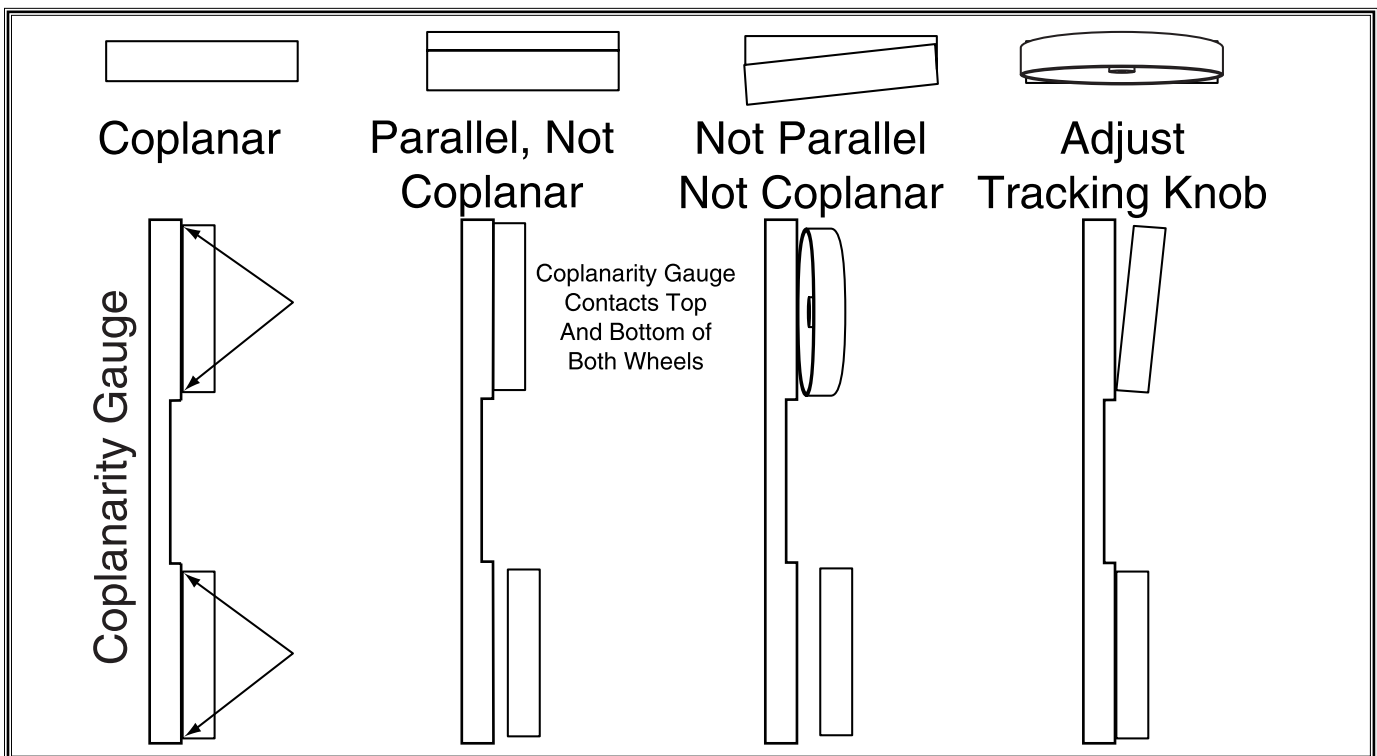


Figure 36. Coplanarity diagram.

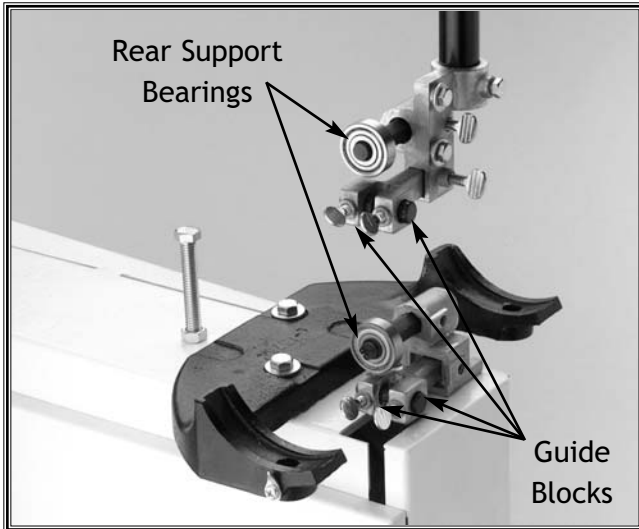


Figure 37. Blade guide assemblies.

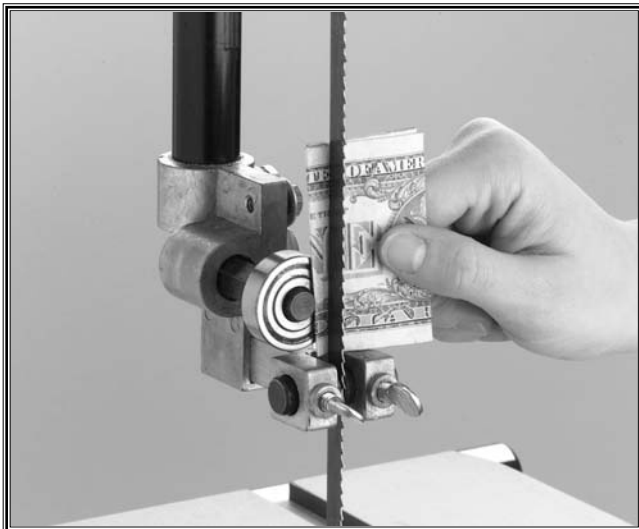


Figure 38. Dollar folded twice for bearings.

Blade Guides

In order to stabilize the blade during use, it is important that the guide blocks and rear support bearings are monitored and adjusted regularly for optimum blade life and high quality cuts.

The rear support bearings keep the blade straight during a cut. They also protect the blade from being pushed too far back. When the blade puts pressure on the bearings, they spin. This reduces friction and blade wear. The rear support bearings should only touch the blade during a cut. After the cut, the blade should return back to its original position and no longer be touching the bearings.

To adjust the rear support bearings:

1. Familiarize yourself with the thumbscrews on the blade guide assemblies. See **Figure 37**.
2. Find the thumbscrew that allows the bearing to move forward and backward.
3. The ideal distance to set the rear support bearing away from the blade is .016 in. A dollar bill is approximately .004 in. thick. Folded twice, a dollar bill is easy and fairly accurate for use in adjusting the distance between the bearing and the blade. However, a feeler gauge will be the most accurate if you have one available.
4. Begin with the upper rear support bearing. Set the dollar bill (or feeler gauge) against the back of the blade and slide the bearing forward so it pinches the dollar between the blade as shown in **Figure 38**.
5. Take care **not** to put too much pressure on the bearing so that you accidentally push the blade forward. Tighten the thumbscrew to lock the bearing in position.
6. Repeat with the lower rear support bearing.

Blade Guides Cont.

The upper and lower guide blocks reduce side-to-side blade wander during cutting. Proper adjustment of these will also minimize heat and increase blade life.

To adjust the guide blocks:

1. Find the thumbscrews that allow the guide-block pair to slide back and forth.
2. Set the guide blocks just behind the gullet of the teeth. **See Figure 39.** This will protect your blade from premature wear because the teeth won't run against the guide blocks.
3. Now find the thumbscrews that allow each guide block to slide in and out.
4. The ideal distance that the guide blocks should be set from the blade is .004 in. Again, if you have a feeler gauge use it; otherwise, the single thickness of a dollar will be fairly accurate. Fold the dollar once and slide the open end over the blade, so the dollar covers each side of the blade. **See Figure 40.**
5. Pinch the dollar between the blade and a guide block on one side, making sure you don't move the blade.
6. Lock the guide block into place and repeat **Step 5** on the other side. Use this same process for adjusting the lower guide blocks as well.

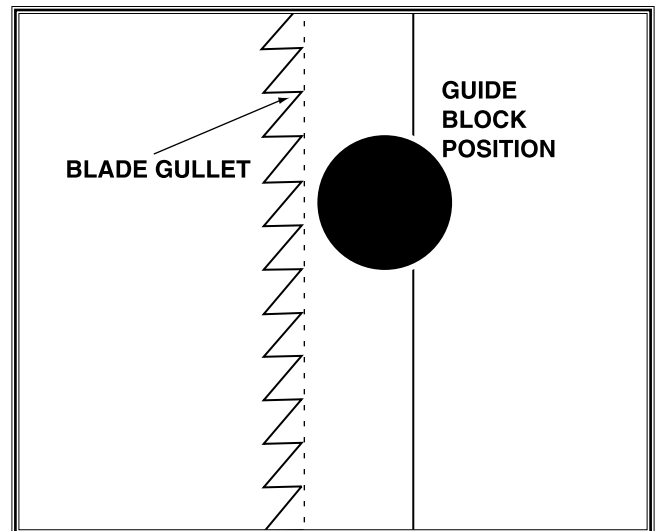


Figure 39. Guide block position on blade.

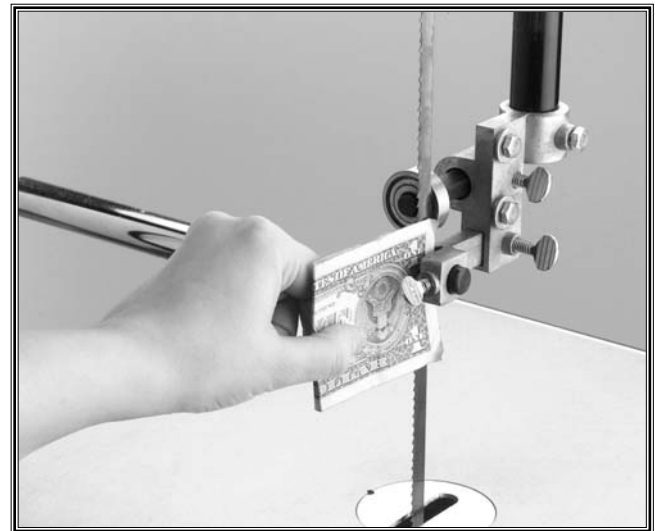
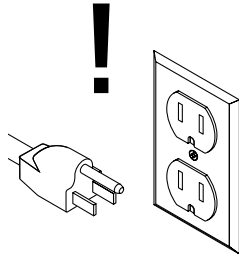


Figure 40. Guide block position on blade.



⚠ WARNING

DO NOT investigate problems or adjust the band-saw while it is running. Wait until the machine is turned off, unplugged and all working parts have come to a complete stop before proceeding!

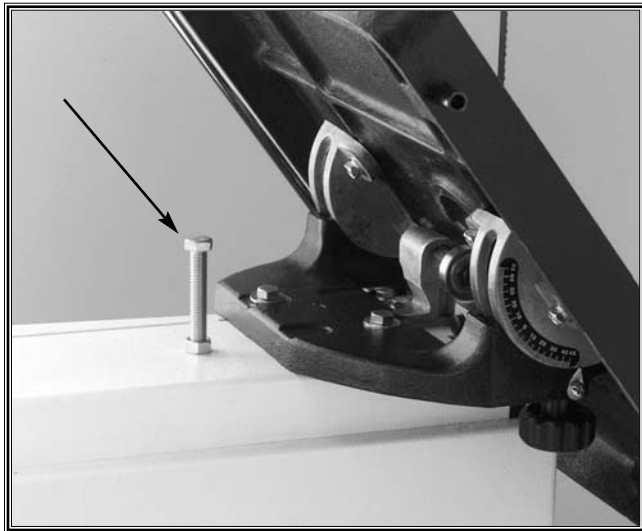


Figure 41. Positive stop with lock nut.

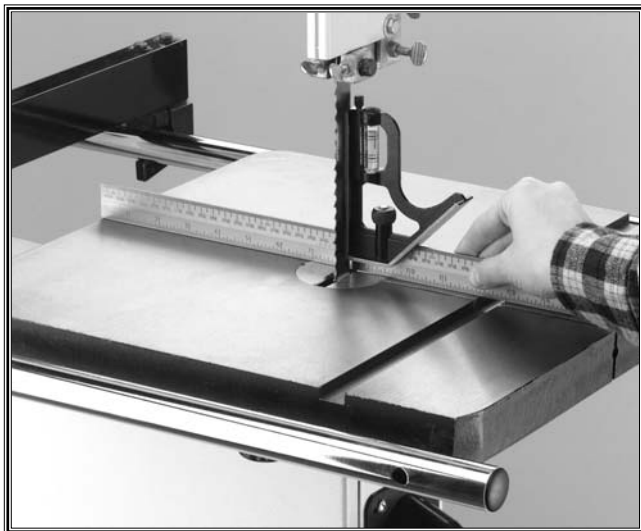


Figure 42. Squaring table to blade.



Figure 43. Pointer set to zero.

Table Adjustments

The table can be adjusted 45° to the right or 10° to the left. There is a positive stop bolt (**Figure 41**) that mounts to the body, under the table. When adjusted correctly, this allows you to bring your table back to square after cutting at an angle. When the positive stop bolt is removed, the table automatically tilts 10° to the left. There is also an adjustable pointer mounted to the trunnion base. This works with the table trunnion gauge to show you the angle of table tilt.

Before using your bandsaw, you will want to adjust the table to be square to the blade. When you get it square, set the pointer to the gauge. This will ensure that your cuts are accurate, even during angle cuts.

To square the table to the blade:

1. Loosen the trunnion knobs under the table.
2. Using a small try square or combo square. Place the long end on the table and the short end against the blade. See **Figure 42**.
3. Adjust the table so it is square to the blade, then set the positive stop bolt ($\frac{3}{8}$ "-16 x 3" hex bolt) to that location. It may take some trial-and-error in tilting the table back and forth to check the correct position of the positive stop.
4. Check the table with the square again. If it is correct, lock the nut down against the bandsaw body. The positive stop bolt should no longer be able to move.
5. Set the pointer on the trunnion base to zero as shown in **Figure 43**.

Table Adjustments Cont.

It is important to verify that the miter gauge slot is parallel to the blade. This will ensure straight cuts when using your miter gauge and the fence.

To make the miter gauge slot parallel with the blade:

1. Install the largest blade you have. Loosen the six trunnion bolts under the table as shown in **Figure 44**.
2. Place a straightedge next to the blade so it is parallel with the miter gauge slot. Make sure the straightedge touches the blade evenly from front to back, but do not let it move the blade, nor let the straightedge rest on a tooth in the blade.
3. Measure the distance from the straightedge to the miter gauge slot at each end of the table. **See Figure 45**. If these measurements are not equal, rotate the table and realign the straightedge with the blade to recheck.
4. Tighten the trunnion bolts when both measurements are equal. Be careful not to move the table when you are tightening the bolts.

Note: This process will get the miter gauge close to being parallel with the blade. However, because of other factors (namely blade lead), your cuts may still not be straight while using the miter gauge and fence. Refer to the "Blade Lead" instructions if this becomes a problem.

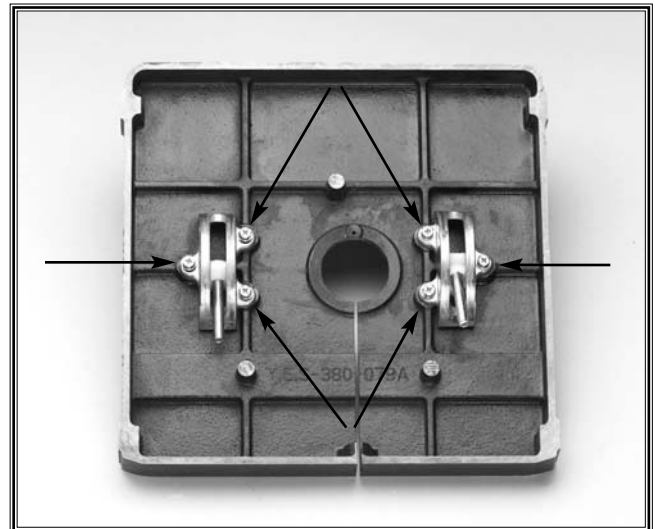


Figure 44. Six trunnion bolts under table.



Figure 45. Squaring miter slot to blade.

| | |
|--|---|
|  | <p>⚠ WARNING Always wear safety glasses when operating the bandsaw. Failure to comply may result in serious personal injury.</p> |
|--|---|

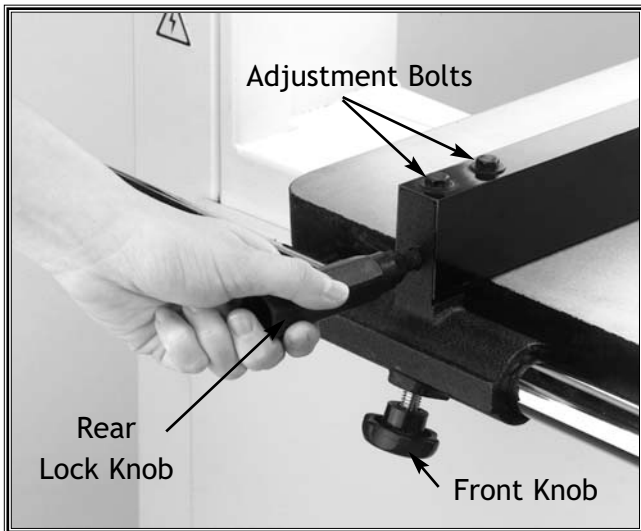
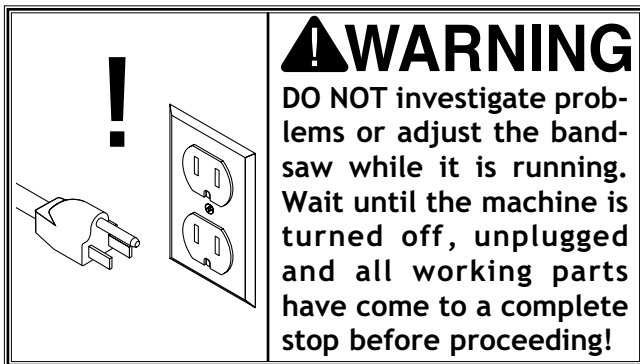


Figure 46. Adjusting the fence.



NOTICE

When adjusting the fence during normal operations, the knob that locks the end of the fence nearest the operator must be locked first. Distance to the blade must be rechecked at this time and the fence should be adjusted as needed. Once the distance is established, the far clamp may be locked down to stabilize the fence completely.

Fence Adjustments

There are two knobs on the fence.

1. The long handle to the side of the fence allows you to clamp (turning clockwise) the rear of the fence. See Figure 46.
2. The smaller knob below the rear lock knob is the front knob. This locks (also turning clockwise) the front of the fence in place.
3. When each knob has been loosened (turning counterclockwise), the fence slides back and forth on the rails so you can adjust it to the desired distance from the blade.
4. To lock the fence in position, first tighten the front lock knob and then the rear.

If the fence is not adjusted parallel to the miter slot (or blade), then it will stay skewed every time you slide it. It is important that this be checked and adjusted to ensure straight cuts.

To set the fence so it is parallel to the miter slot:

1. Tighten the rear of the fence and loosen the adjustment bolts shown in Figure 46.
2. Skew the fence so it is parallel to the miter slot. This can be accomplished by using a fine ruler and measuring the distance from one end of the fence to the edge of the miter slot. When the miter slot-to-fence distances are the same on both ends, tighten the bolts.
3. Now re-check that the fence stays square when repositioned and locked in place. If it is not square, repeat steps 1 and 2.
4. If, after performing this adjustment, your bandsaw does not cut straight while using the miter gauge, refer to the "Blade Lead" instructions in this manual.

Blade Lead

An inherent situation with all bandsaws is their tendency to not cut parallel to the fence, even when the fence seems parallel to the blade. **Figure 47** demonstrates the effect blade lead can have on your workpiece. This problem is usually caused by three main factors:

1. The teeth are set heavier on one side than the other.
2. The teeth are dull on one side.
3. The blade tension is too tight or too loose.

Usually these problems can be fixed by making the appropriate adjustments or replacing the blade.

Sometimes fixing these problems may not be immediately practical. If you need to get by in a pinch, here are two options: (1) You can slightly move the angle of your fence in the appropriate direction to compensate for the amount the cut strays. (2) You can slightly rotate your table to compensate for the amount of blade lead.

To adjust for blade lead with the fence only (option 1):

1. Measure how far the blade leads by making a straight line parallel to the straight side of a 2' board. Without using the fence, cut along the line to the mid point of the board. Without moving the position of the board, turn the bandsaw off and slide the fence next to the board. Any variation between the edge of the board and the fence is caused by blade lead. This measurement shows you how far your blade leads.
2. Tighten the farthest end of the fence from the side where you are standing and loosen the adjustment bolts shown in **Figure 46**.
3. Skew the fence the amount that you determined in **step 1**.
4. Retighten the fence bolts. Cut a test board to ensure the adjustment worked. Repeat the process and try again if it did not.

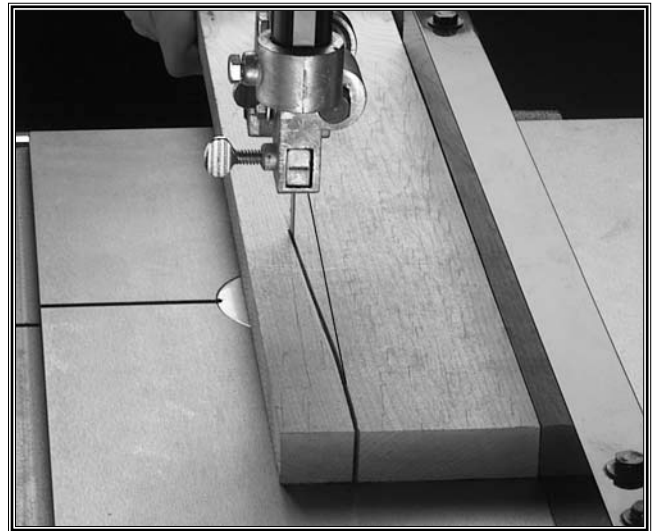
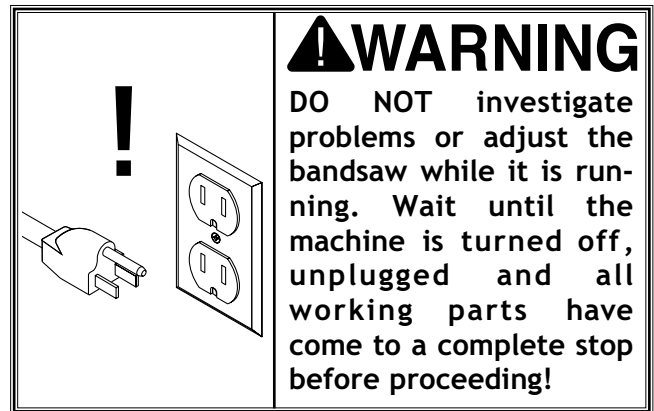


Figure 47. This rip cut illustrates excessive blade lead.

To adjust the entire table for blade lead so your fence and miter slot will cut straight (option 2):

1. If you know how far your blade leads (for example: $\frac{1}{16}$ " to the right), you can loosen the 6 trunnion bolts under the table and rotate the table half that amount (we say "half" because while one end moves to the right, the other moves to the left).
2. Retighten the trunnion bolts.
3. Cut a test board to ensure that the adjustment worked. Repeat the process and try again if it did not. Do not get discouraged if it did not work. Trial-and-error is often normal with these adjustments.

OPERATIONS

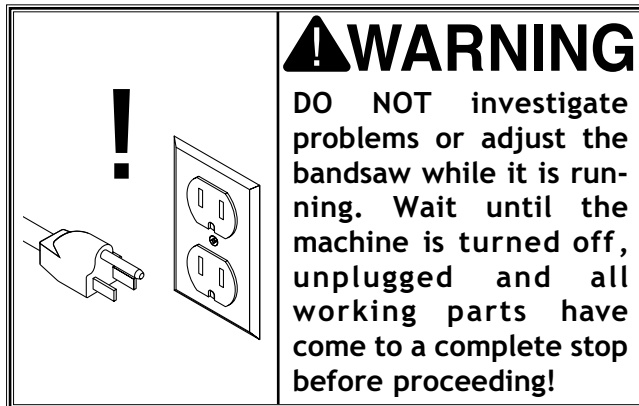


Figure 48. Hand poised over stop button.

General

Your Model W1672 Bandsaw will allow you to perform many types of cutting operations. However, the following section is not a complete guide to the many specialized cuts that can be made with this bandsaw; nor does it include the various jigs and aftermarket products that can be used with this bandsaw.

We strongly recommend that you read books, trade articles or seek training with bandsaws before performing any cuts in which you are not confident. **Above all, your safety should come first.** This recommended research will pay off with your increased safety, the quality of your work and the gain in knowledge you will make as a woodworker.

Test Run

Once assembly is complete and adjustments are done to your satisfaction, you are ready to start the machine.

Make sure the starting switch is off. The paddle down means the machine is off. Make sure all the fasteners and lock handles are tight. Plug in the power cord. Pull the START paddle. Make sure that your finger is poised over the paddle (**See Figure 48**) just in case there is a problem. The bandsaw should run smoothly, with little or no vibration or rubbing noises. Occasionally you may hear a "tick, tick, tick" sound. This is usually caused by the weld in the blade moving through the guide blocks.

Strange or unnatural noises require you to stop the machine. Wait for it to stop moving, unplug the machine, investigate and correct before further operation.

If the source of an unusual noise or vibration is not readily apparent, contact our service department for help at 1-360-734-3482 or contact us online at tech-support@woodstockint.com.

Ripping

“Ripping” means cutting along the grain of the wood. This is generally accomplished by using the fence of the bandsaw as a guide to make a straight cut. See **Figure 49**.

Blade selection is important when ripping. Individual results may vary, but generally, the wider the blade you use, the straighter the cuts. Also, fewer teeth per inch allow for easier sawdust removal, less heat buildup and more horsepower per tooth. Keep in mind, though, that blades with fewer teeth-per-inch also produce rougher cuts.

To perform ripping operations:

1. Make sure you have properly adjusted your bandsaw according to all the instructions in the **Adjustments** section in this manual.
2. Draw a reference line on the face of the board, support the ends if necessary and feed the work slowly and evenly. If your cuts are not straight see the “Blade Lead” instructions.



Figure 49. Ripping a board.



Crosscutting

“Crosscutting” means cutting across the grain of the wood. This is most often done by using the miter gauge for support when making the cut. It can be done freehand as well. See **Figure 50**.

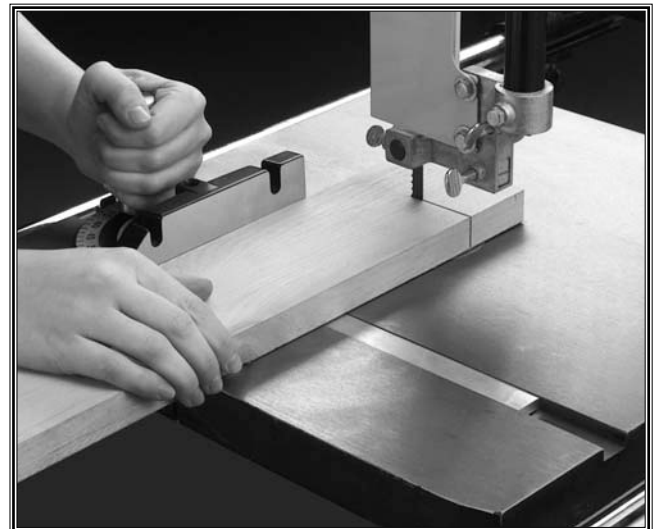


Figure 50. Crosscutting a board.

| BLADE WIDTH | MINIMUM RADII |
|-----------------|---------------|
| 1/8" | 3/16" |
| 3/16" | 5/16" |
| 1/4" | 5/8" |
| 3/8" | 1 3/8" |
| 1/2" | 2 1/2" |
| 5/8" | 4" |
| 3/4" | 5 1/2" |
| 1" | 7 5/8" |

Figure 51. Minimum radii for blade widths.

Cutting Curves

The ability to cut curves is one of the most useful things a bandsaw can accomplish. However, when cutting curves you need to be careful not to twist the blade, especially when cutting tight curves. The chart in **Figure 51** will help you in deciding the limitations that each size of blade can handle. Also, it is important to make relief cuts through the waste portion directly into the tightest point of the curve. Notice the relief cuts in **Figure 52**.

To make curved cuts:

1. Draw the design or pattern on the workpiece.
2. Make sure you have the proper blade installed for the cut you want to make.
3. Lower the upper blade guide assembly to within 1/2" of the workpiece to maximize control over the blade during the cut.
4. Turn on the saw. Make relief cuts at all the tight corners and transition points.
5. Begin your curved cut. Guide the direction of the piece with one hand and feed the piece slowly and evenly into the blade with the other hand.



Figure 52. Relief cuts before cutting curves.

Resawing

"Resawing" means cutting one board into two or more thinner boards. See **Figure 53**. The most important things to remember when resawing are safety and blade selection.

Always use push blocks and wear safety glasses when resawing.

Blades with a large gullet capacity clear sawdust more efficiently, reduce heat and give you more horsepower per tooth. Hook or skip tooth blades with fewer teeth per inch (3-6) are ideal. Also, a wider blade is generally better because it provides more control and is more likely to handle the stress of resawing.

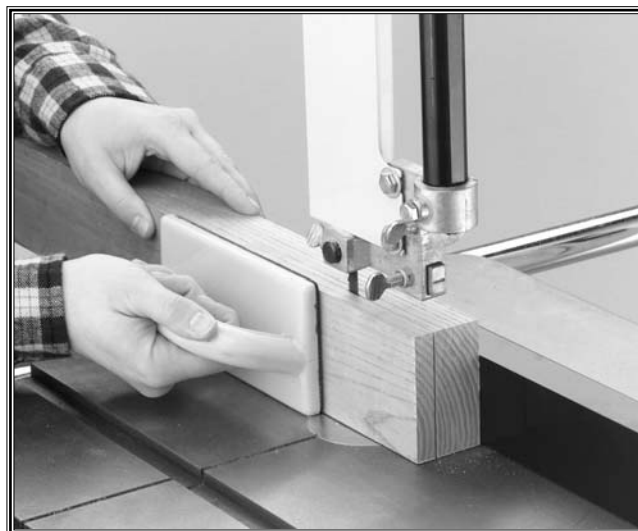


Figure 53. Resawing.

To resaw, follow this basic procedure:

1. Ensure that your bandsaw is properly setup according to the **Adjustments** section in this manual.
2. Use the widest blade that will fit your saw (1"). Also, make sure your blade is sharp and in good condition.
3. Before cutting your workpiece, it is a good idea to test cut a piece of scrap lumber to make sure your bandsaw is set up properly for the job. It is better to make any mistakes on scrap, than to accidentally ruin an expensive piece of lumber.
4. Whether cutting the scrap or the actual workpiece, feed the wood slowly and evenly into the blade. **Do not force it!**

Note: If the blade wanders when using the fence, adjust the fence as stated in the "Blade Lead" section on page 28.



Figure 54. Making a stacked cut.

Stacked Cuts

Another useful operation for the bandsaw is making stacked cuts. See **Figure 54**. These cuts provide uniformity to multiple pieces.

To make stacked cuts:

1. Line up and secure the multiple pieces together. Screws or brads in the waste portion work well for this. Make sure that your blade is absolutely square to the table.
2. Trace the pattern on the top piece. Make relief cuts through the waste portion where the blade will change directions.
3. Cut the stack as though you were cutting a single piece.



Blade Selection

Blade Type

Figure 55 shows three major blade types: Raker, Hook and Skip. **Raker** (standard) blades usually have many teeth per inch (T.P.I.) and each tooth is flat along the tip. These type of blades leave an excellent finish but cannot clear sawdust very efficiently because of teeth proximity. **Skip** blades are essentially a raker blade missing every other tooth. These blades clear sawdust efficiently but do not leave as fine of a finish as a raker. **Hook** blades are not flat along the tip; instead, they have curved profile to give a more aggressive "bite" into the material. Their spacing is similar to that of a skip blade, so they clear sawdust quite efficiently. This makes these types of blades good for cutting thick stock.

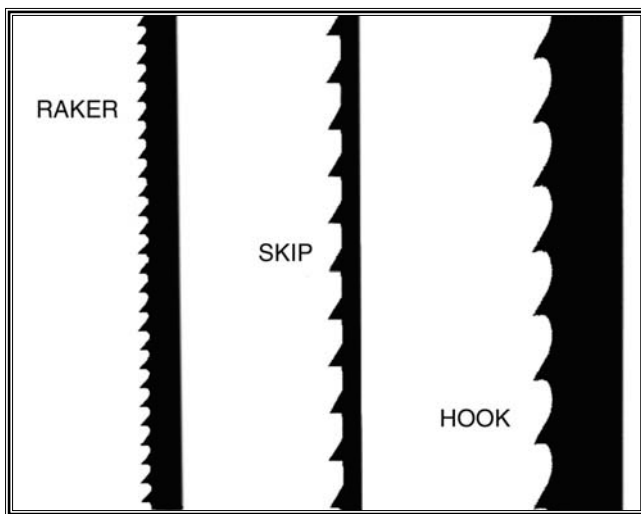


Figure 55. Types of blade teeth.

Blade Width

As a general rule, large blades provide more support for thick stock and allow you to cut straighter. Small blades provide maximum control for cutting tight curves, but are not a good choice for cutting straight cuts and do not have the strength for thick stock. Medium blades are excellent for gradual curves and perform well for cutting round stock, but they are not meant to perform the jobs of large or small blades. Many people are tempted to only use a medium blade so they never have to change blades. Use the right blade for the right job, and you will get better results.

Blade Teeth

Blade teeth come coarse, medium and fine. Coarse teeth cut softer woods and thick stock more efficiently, but they do not leave a fine finish. Fine teeth are good for cutting hard woods and leave a fine finish. Medium teeth, naturally, achieve a balance between efficient cutting, while leaving a moderate finish.

Blade selection should be taken into consideration for each type of cut. No matter what selection you are using, you should always feed the workpiece into the blade at a slow and even pace.

| Type Of Cut | Width | Teeth | Blade Type | Bandsaw Speed |
|--|--------|--------|------------|---------------|
| Sharp Curves | Small | Fine | Raker | 2300 F.P.M. |
| Gradual Curves | Medium | Medium | Skip | 2300 F.P.M. |
| Ripping (less than 1 ³ / ₄ ") | Large | Medium | Hook | 2300 F.P.M. |
| Ripping (more than 1 ³ / ₄ ") | Large | Coarse | Hook | 3200 F.P.M. |
| Crosscutting (less than 1") | Large | Fine | Raker | 3200 F.P.M. |
| Crosscutting (more than 1") | Large | Medium | Raker | 3200 F.P.M. |
| Resawing (all sizes) | Large | Coarse | Hook | 3200 F.P.M. |
| Round Stock | Medium | Medium | Raker | 3200 F.P.M. |

MAINTENANCE

General

Regular periodic maintenance on your Model W1672 Bandsaw will ensure its optimum performance. Make a habit of inspecting your bandsaw each time you use it.

Check for the following conditions and repair or replace when necessary:

1. Loose mounting bolts.
2. Worn switch.
3. Worn or damaged cords and plugs.
4. Damaged V-belt.
5. Any other condition that could hamper the safe operation of this machine.

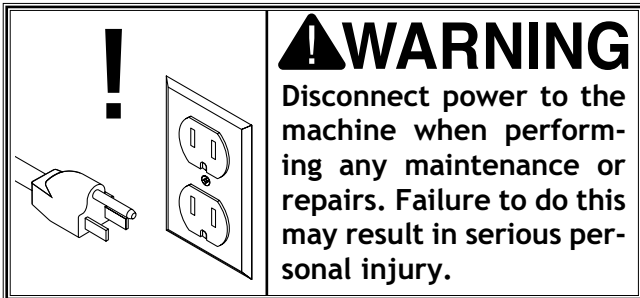


Table And Base

Tables can be kept rust-free with regular applications of products like Boeshield® T-9. For long term storage you may want to consider products like Kleen Bore's Rust Guardit™.

Lubrication

Since all bearings are shielded and permanently lubricated, simply leave them alone until they need to be replaced. Do not lubricate them.

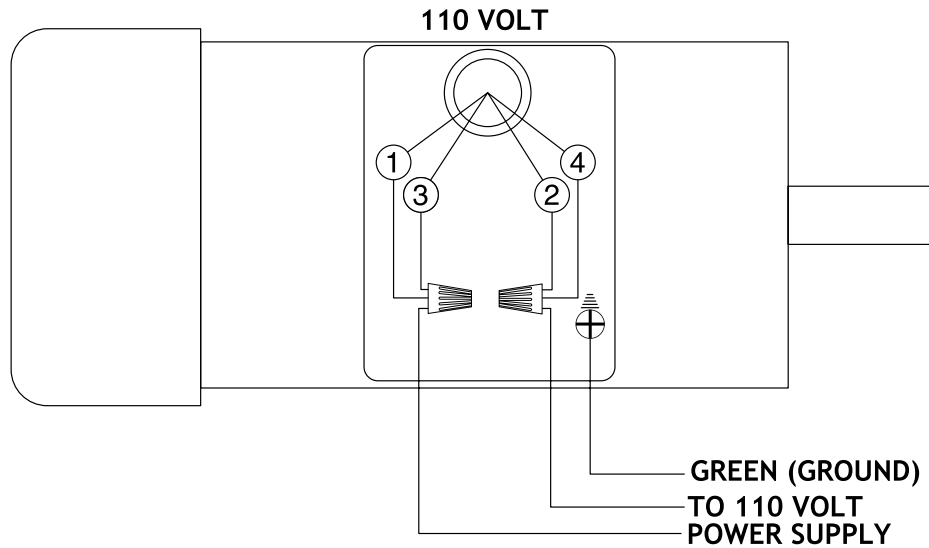
For other items on this machine, such as the guide column, an occasional application of light machine oil is all that is necessary. Before applying lubricant, clean off sawdust.

Your goal is to achieve adequate lubrication. Too much lubrication will attract dirt and sawdust. Various parts of your machine could lose their freedom of movement as a result.

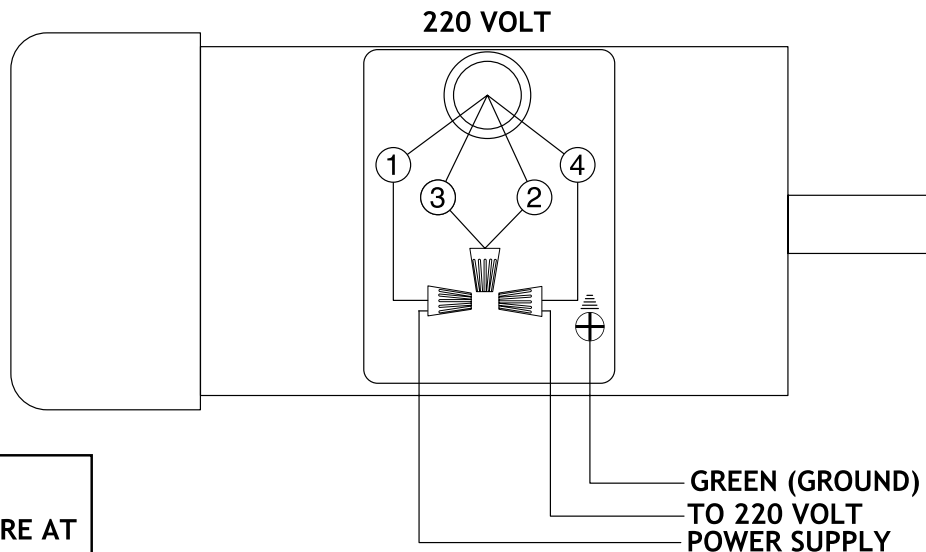
⚠ DANGER

DISCONNECT POWER FROM MACHINE BEFORE PERFORMING ANY ELECTRICAL SERVICE. FAILURE TO DO THIS WILL RESULT IN A SHOCK HAZARD LEADING TO INJURY OR DEATH.

W1672 14" Bandsaw Wire Diagram



PAY CAREFUL ATTENTION TO THE WIRING SETUP WHEN YOU TAKE THE COVER OFF. THE WIRES FROM THE MOTOR WILL BE NUMBERED. THE WIRES FROM THE POWER SUPPLY, BESIDES THE GREEN GROUND WIRE, ARE INTERCHANGEABLE. TO CONVERT TO 220 VOLT OPERATION, CHANGE THE WIRE SETUP AS THEY ARE IN THE 110 VOLT DIAGRAM TO HOW THEY ARE SHOWN IN THE 220 VOLT DIAGRAM.



NOTICE

IF AT ANY TIME YOU ARE AT ALL UNCOMFORTABLE WITH THIS OPERATION, HAVE A QUALIFIED ELECTRICIAN PERFORM IT FOR YOU.

CLOSURE

The following pages contain general machine data, parts diagrams/lists and warranty/return information for your Shop Fox® Model W1672 14" Bandsaw.

If you need parts or help in assembling your machine, or if you need operational information, we encourage you to call our Service Department. Our trained service technicians will be glad to help you.

If you have comments dealing specifically with this manual, please write to us using the address in the **General Information**. The specifications, drawings and photographs illustrated in this manual represent the Model W1672 as supplied when the manual was prepared. However, due to Woodstock International, Inc.'s policy of continuous improvement, changes may be made at any time with no obligation on the part of Woodstock International, Inc. Whenever possible, though, we send manual updates to all owners of a particular tool or machine. Should you receive one, add the new information to this manual and keep it for reference.

We have included some important safety measures that are essential to this machine's operation. While most safety measures are generally universal, we remind you that each workshop is different and safety rules should be considered as they apply to your specific situation.

We recommend you keep this manual for complete information regarding Woodstock International, Inc.'s warranty and return policy. If you need additional technical information relating to this machine, or if you need general assistance or replacement parts, please contact the Service Department at 1-360-734-3482 or tech-support@woodstockint.com.

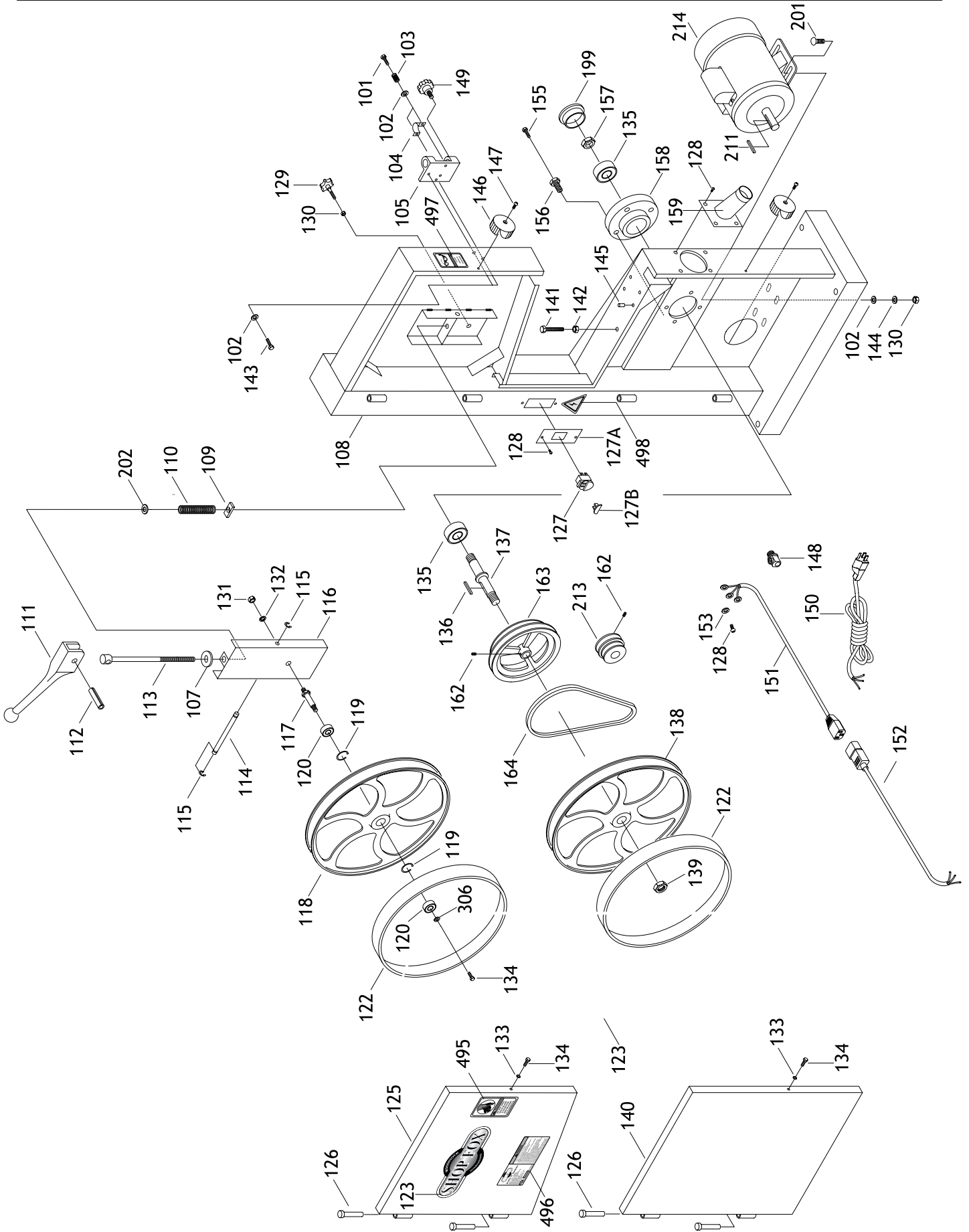
Additional information sources are necessary to realize the full potential of this machine. Trade journals, woodworking magazines and your local library are good places to start.

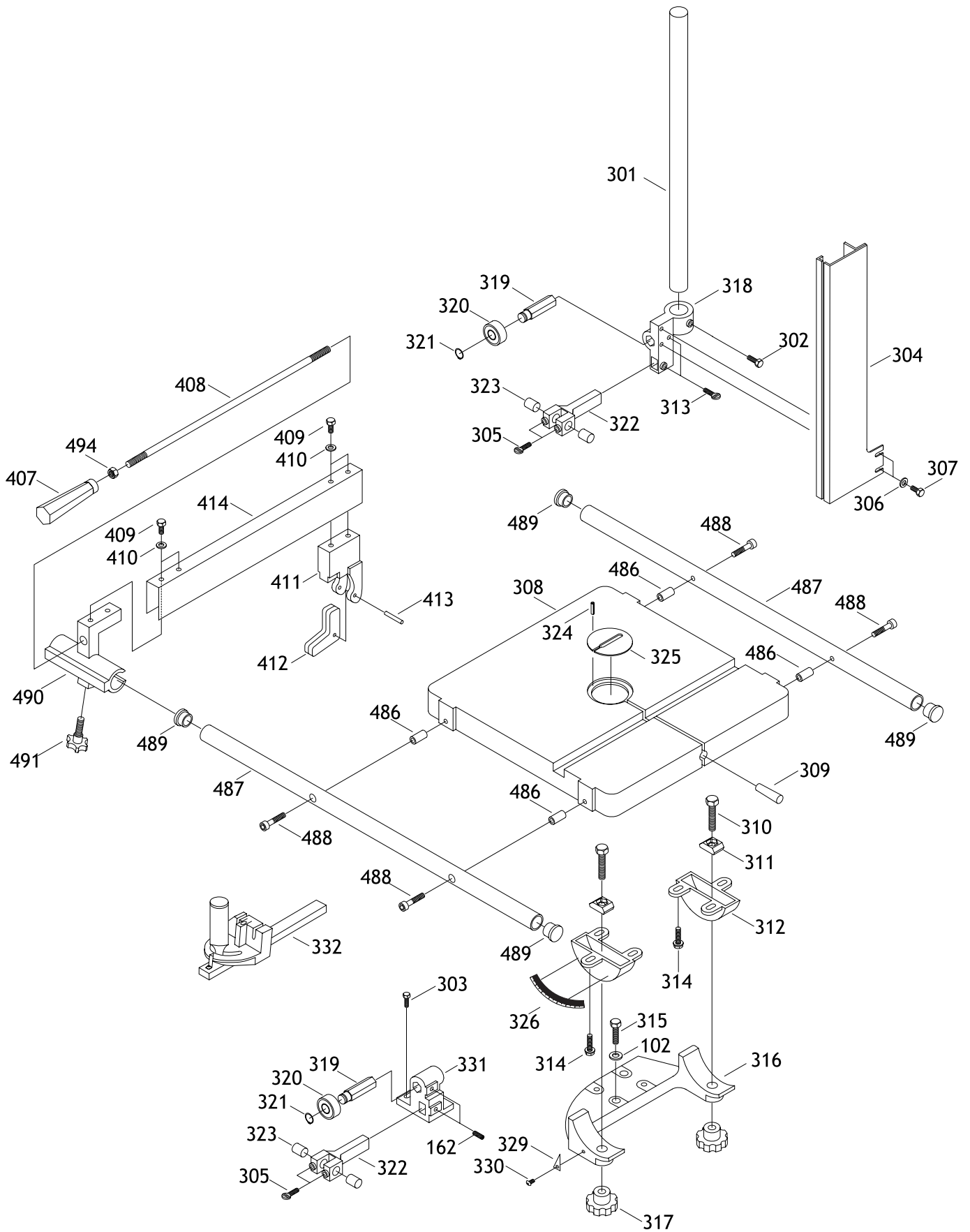
WARNING

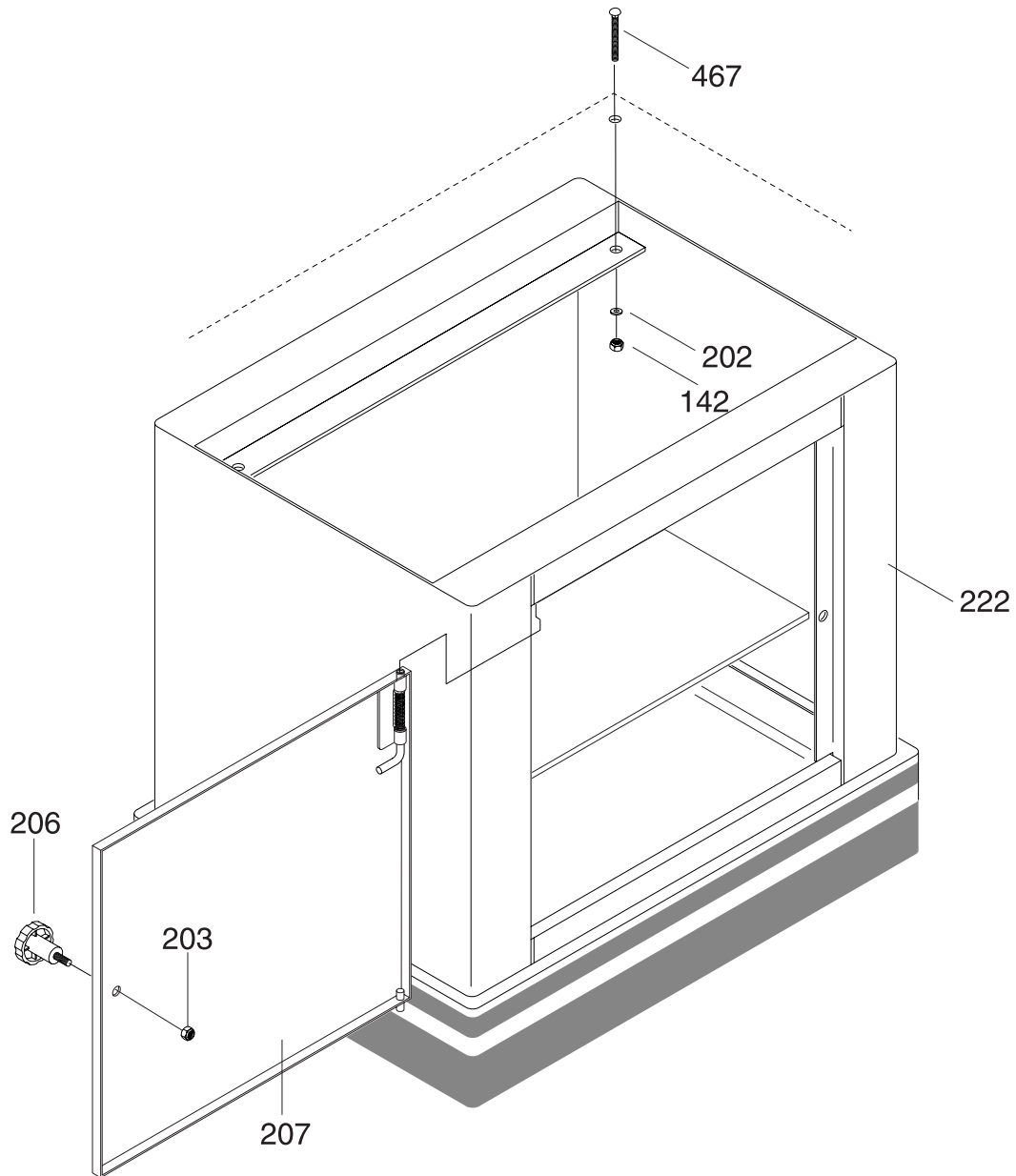
As with all power tools, there is danger associated with the Model W1672 Bandsaw. Use the tool with respect and caution to lessen the possibility of mechanical damage or operator injury. If normal safety precautions are overlooked or ignored, injury to the operator or others in the area is likely.

The Model W1672 was specifically designed for cutting wood stock. **DO NOT MODIFY AND/OR USE THIS BANDSAW FOR ANY OTHER PURPOSE.** Modifications or improper use of this tool will void the warranty. If you are confused about any aspect of this machine, **DO NOT** use it until all your questions have been answered.









| REF | PART # | DESCRIPTION |
|------|-----------|--------------------------------------|
| 101 | XPB03 | HEX BOLT $\frac{5}{16}$ "-18 X1" |
| 102 | XPW07 | FLAT WASHER $\frac{5}{16}$ " |
| 103 | X1672103 | SPRING |
| 104 | X1672104 | BRACKET |
| 105 | X1672105 | BAR SETTING PLATE |
| 107 | X1672107 | SPECIAL WASHER |
| 108 | X1672108 | BODY |
| 109 | X1672109 | SPECIAL NUT |
| 110 | X1672110 | SPRING |
| 111 | X1672111 | QUICK-HANDLE LEVER |
| 112 | XPRP49M | ROLL PIN 5 X 25 |
| 113 | X1672113 | TENSION BOLT |
| 114 | X1672114 | GUIDE ROD |
| 115 | XPR39M | EXT RETAINING RING 8MM |
| 116 | X1672116 | UPPER WHEEL BASE |
| 117 | X1672117 | UPPER WHEEL SHAFT |
| 118 | X1672118 | UPPER WHEEL |
| 119 | XPR21M | INT RETAINER RING 35MM |
| 120 | XP6202 | BEARING 6202ZZ |
| 122 | X1672122 | RUBBER TIRE |
| 123 | X1672123 | SHOPFOX PLAQUE |
| 125 | X1672125 | UPPER WHEEL GUARD |
| 126 | X1672126 | HINGE |
| 127 | X1672127A | SWITCH |
| 127A | X1672127B | SWITCH PLATE |
| 127B | X1672127C | SWITCH KEY |
| 128 | XPS01 | PHLPHD SCREW 10-24 X $\frac{1}{2}$ " |
| 129 | X1672129 | TRACKING KNOB |

| REF | PART # | DESCRIPTION |
|-----|-------------|---|
| 130 | XPNO2 | HEX NUT $\frac{5}{16}$ "-18 |
| 131 | XPNO6 | HEX NUT $\frac{1}{2}$ "-12 |
| 132 | XPLW07 | LOCK WASHER $\frac{1}{2}$ " |
| 133 | XPLW02 | LOCK WASHER $\frac{1}{4}$ " |
| 134 | XPSB17 | CAP SCREW $\frac{1}{4}$ "-20 X $\frac{3}{8}$ " |
| 135 | XP6004 | BEARING 6004ZZ |
| 136 | XPK12M | KEY 5 X 5 X 30MM |
| 137 | X1672137 | SHAFT |
| 138 | X1672138 | DRIVE WHEEL |
| 139 | X1672139 | LEFT HANDED NUT $\frac{3}{4}$ "-16 |
| 140 | X1672140 | LOWER WHEEL GUARD |
| 141 | XPB35 | HEX BOLT $\frac{3}{8}$ "-16 X $2\frac{1}{2}$ " |
| 142 | XPNO8 | HEX NUT $\frac{3}{8}$ "-16 |
| 143 | XPB09 | HEX BOLT $\frac{5}{16}$ "-18" X $\frac{1}{2}$ " |
| 144 | XPLW01 | LOCK WASHER $\frac{5}{16}$ " |
| 145 | X1672145 | PIN 6 X 16 |
| 146 | X1672146 | GUARD LOCKING KNOB |
| 147 | X1672147 | SPECIAL SCREW |
| 148 | X1672148 | STRAIN RELIEF |
| 149 | X1672149 | KNOB |
| 150 | XPWRCRD110V | 110V LONG POWER CORD |
| 151 | XPWRCRDRECP | POWER CORD W/RECP |
| 152 | XPWRCRDPLUG | POWER CORD W/PLUG |
| 153 | XPLW03 | FLAT WASHER $\frac{3}{16}$ " |
| 155 | XPB11 | HEX BOLT $\frac{5}{16}$ "-18 X $1\frac{1}{2}$ " |
| 156 | X1672156 | ADJUSTING SCREW |
| 157 | XPNO4 | HEX NUT $\frac{5}{8}$ "-11 |
| 158 | X1672158 | BEARING HOUSING |

| REF | PART # | DESCRIPTION |
|-----|----------|-----------------------------|
| 159 | X1672159 | ADAPTER |
| 162 | XPSS11 | SETSCREW 1/4"-20 X 1/4" |
| 163 | X1672163 | IDLER PULLEY |
| 164 | XPVA31 | V-BELT A-31 |
| 201 | XPCB11 | CARRIAGE BOLT 5/16"-18 X 1" |
| 202 | XPW02 | FLAT WASHER 3/8" |
| 203 | XPLN03 | LOCK NUT 5/16"-18 |
| 206 | X1672206 | KNOB |
| 207 | X1672207 | GUARD |
| 211 | XPK34M | KEY 5 X 5 X 20 |
| 213 | X1672213 | MOTOR PULLEY |
| 214 | X1672214 | MOTOR |
| 215 | XPLW01 | LOCK WASHER 5/16" |
| 222 | X1672222 | STAND |
| 301 | X1672301 | GUIDE BAR |
| 302 | XPB19 | HEX BOLT 1/4"-20 X 1/2" |
| 303 | XPB05 | HEX BOLT 1/4"-20 X 3/4" |
| 304 | X1672304 | BLADE COVER |
| 305 | XPTS002 | THUMB SCREW 1/4"-20 X 1/2" |
| 306 | XPW06 | FLAT WASHER 1/4" |
| 307 | XPB51 | HEX BOLT 1/4"-20 X 3/8" |
| 308 | X1672308 | TABLE |
| 309 | X1672309 | TABLE PIN |
| 310 | XPB66 | HEX BOLT 3/8"-16 X 2 1/4" |
| 311 | X1672311 | TRUNNION CLAMP |
| 312 | X1672312 | TRUNNION |
| 313 | XPTS006 | THUMB SCREW 1/4"-20 X 3/4" |
| 314 | X1672314 | CPTD HXSCREW 1/4"-20 X 5/8" |

| REF | PART # | DESCRIPTION |
|-----|----------|----------------------------|
| 315 | XPB12 | HEX BOLT 5/16"-18 X 1 1/4" |
| 316 | X1672316 | TABLE BRACKET |
| 317 | X1672317 | TABLE LOCKING KNOB |
| 318 | X1672318 | UPPER BRACKET |
| 319 | X1672319 | BEARING BRACKET |
| 320 | XP6200 | BEARING 6200Z |
| 321 | XPRO1M | RETAINING RING 10MM |
| 322 | X1672322 | BLADE GUIDE BODY |
| 323 | X1672323 | GUIDE BLOCK |
| 324 | XPRP44M | ROLL PIN 3 X 10 |
| 325 | X1672325 | TABLE INSERT |
| 326 | X1672326 | GAUGE |
| 329 | X1672329 | INDICATOR |
| 330 | XPS18 | PHLPHD SCREW 10-24 X 1/4" |
| 331 | X1672331 | LOWER BRACKET |
| 332 | X1672332 | MITER GAUGE |
| 467 | XPCB12 | CARRIAGE BOLT 3/8"-16 X 2" |
| 486 | X1672486 | SLEEVE M6 X 15 |
| 487 | X1672487 | GUIDE RAIL |
| 488 | XPSB07M | CAP SCREW M6-1 X 30 |
| 489 | X1672489 | GUIDE RAIL CAP |
| 490 | X1672490 | FENCE HEADSTOCK |
| 491 | X1672491 | KNOB |
| 494 | XPNO8 | HEX NUT 3/8"-16 |
| 495 | X1672495 | DO NOT OPEN COVER LABEL |
| 496 | X1672496 | W1672 ID/WARNING LABEL |
| 497 | X1672497 | WEAR SAFETY GLASSES LABEL |
| 498 | X1672498 | CAUTION ELECTRICITY LABEL |

WARRANTY CARD



Name _____
Street _____
City _____ State _____ Zip _____
Phone Number _____ E-Mail _____ FAX _____
MODEL # _____

The following information is given on a voluntary basis and is strictly confidential.

1. Where did you purchase your Shop Fox® machine?

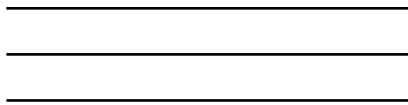
2. How did you first learn about us?
___Advertisement ___Friend
___Mail order Catalog ___Local Store
___World Wide Web Site
___Other _____
3. Which of the following magazines do you subscribe to.
___American Woodworker ___Today's Homeowner
___Cabinetmaker ___WOOD
___Family Handyman ___Wooden Boat
___Fine Homebuilding ___Woodshop News
___Fine Woodworking ___Woodsmith
___Home Handyman ___Woodwork
___Journal of Light Construction ___Woodworker
___Old House Journal ___Woodworker's Journal
___Popular Mechanics ___Workbench
___Popular Science ___American How-To
___Popular Woodworking
___Other _____
4. Which of the following woodworking/remodeling shows do you watch?
___Backyard America ___The New Yankee Workshop
___Home Time ___This Old House
___The American Woodworker ___Woodwright's Shop
___Other _____
5. What is your annual household income?
___\$20,000-\$29,999 ___\$60,000-\$69,999
___\$30,000-\$39,999 ___\$70,000-\$79,999
___\$40,000-\$49,999 ___\$80,000-\$89,999
___\$50,000-\$59,999 ___\$90,000 +
6. What is your age group?
___20-29 ___50-59
___30-39 ___60-69
___40-49 ___70 +
7. How long have you been a woodworker?
___0 - 2 Years ___8 - 20 Years
___2 - 8 Years ___20+ Years
8. How would you rank your woodworking skills?
___Simple ___Advanced
___Intermediate ___Master Craftsman
9. How many Shop Fox® machines do you own? _____
10. What stationary woodworking tools do you own? Check all that apply.
___Air Compressor ___Panel Saw
___Band Saw ___Planer
___Drill Press ___Power Feeder
___Drum Sander ___Radial Arm Saw
___Dust Collector ___Shaper
___Horizontal Boring Machine ___Spindle Sander
___Jointer ___Table Saw
___Lathe ___Vacuum Veneer Press
___Mortiser ___Wide Belt Sander
___Other _____
11. Which benchtop tools do you own? Check all that apply.
___1" x 42" Belt Sander ___6" - 8" Grinder
___5" - 8" Drill Press ___Mini Lathe
___8" Table Saw ___10" - 12" Thickness Planer
___8" - 10" Bandsaw ___Scroll Saw
___Disc/Belt Sander ___Spindle/Belt Sander
___Mini Jointer
___Other _____
12. Which portable/hand held power tools do you own? Check all that apply.
___Belt Sander ___Orbital Sander
___Biscuit Joiner ___Palm Sander
___Circular Saw ___Portable Planer
___Detail Sander ___Saber Saw
___Drill/Driver ___Reciprocating Saw
___Miter Saw ___Router
___Other _____
13. What machines/supplies would you like to see?

14. What new accessories would you like Woodstock International to carry?

15. Do you think your purchase represents good value?
___Yes ___No
16. Would you recommend Shop Fox® products to a friend?
___Yes ___No
17. Comments: _____

CUT ALONG DOTTED LINE

FOLD ALONG DOTTED LINE



Place
Stamp
Here



WOODSTOCK INTERNATIONAL, INC.
P.O. BOX 2309
BELLINGHAM, WA 98227-2309



FOLD ALONG DOTTED LINE

TAPE ALONG EDGES--PLEASE DO NOT STAPLE

Free Manuals Download Website

<http://myh66.com>

<http://usermanuals.us>

<http://www.somanuals.com>

<http://www.4manuals.cc>

<http://www.manual-lib.com>

<http://www.404manual.com>

<http://www.luxmanual.com>

<http://aubethermostatmanual.com>

Golf course search by state

<http://golfingnear.com>

Email search by domain

<http://emailbydomain.com>

Auto manuals search

<http://auto.somanuals.com>

TV manuals search

<http://tv.somanuals.com>