



MODEL W1755 6" PARALLELOGRAM JOINTER



OWNER'S MANUAL

Phone: (360) 734-3482 • On-Line Technical Support: tech-support@shopfox.biz

COPYRIGHT © MARCH, 2007 BY WOODSTOCK INTERNATIONAL, INC. REVISED APRIL, 2007.

WARNING: NO PORTION OF THIS MANUAL MAY BE REPRODUCED IN ANY SHAPE OR FORM WITHOUT

THE WRITTEN APPROVAL OF WOODSTOCK INTERNATIONAL, INC.

#9160TR

Printed in China

WARNING!

This manual provides critical safety instructions on the proper setup, operation, maintenance and service of this machine/equipment.

Failure to read, understand and follow the instructions given in this manual may result in serious personal injury, including amputation, electrocution or death.

The owner of this machine/equipment is solely responsible for its safe use. This responsibility includes but is not limited to proper installation in a safe environment, personnel training and usage authorization, proper inspection and maintenance, manual availability and comprehension, application of safety devices, blade/cutter integrity, and the usage of personal protective equipment.

The manufacturer will not be held liable for injury or property damage from negligence, improper training, machine modifications or misuse.

WARNING!

Some dust created by power sanding, sawing, grinding, drilling, and other construction activities contains chemicals known to the State of California to cause cancer, birth defects or other reproductive harm. Some examples of these chemicals are:

- Lead from lead-based paints.
- Crystalline silica from bricks, cement and other masonry products.
- Arsenic and chromium from chemically-treated lumber.

Your risk from these exposures varies, depending on how often you do this type of work. To reduce your exposure to these chemicals: Work in a well ventilated area, and work with approved safety equipment, such as those dust masks that are specially designed to filter out microscopic particles.

Table of Contents

INTRODUCTION	2	SERVICE	28
Woodstock Technical Support.....	2	General	28
Controls and Features	4	Inspecting Knives.....	28
SAFETY.....	5	Adjusting/Replacing Knives.....	29
Standard Safety Instructions	5	Checking/Adjusting Table Parallelism	32
Additional Safety Instructions for Jointers...	7	Setting Outfeed Table Height.....	35
Avoiding Potential Injuries	8	Setting Infeed Table Height	36
ELECTRICAL	9	Calibrating Depth Scale	36
110V/220V Operation.....	9	Setting Fence Stops.....	37
Extension Cords	9	V-Belt Replacement	38
Electrical Specifications	9	Pulley Alignment	39
SETUP	10	Electrical Components	40
Unpacking	10	110V Wiring Diagram	41
Items Needed for Setup.....	10	220V Wiring Diagram	41
Inventory	11	Troubleshooting	42
Machine Placement	12	PARTS	44
Cleaning Machine.....	12	Stand Breakdown.....	44
Assembly.....	13	Stand Parts List.....	45
Dust Collection	17	Jointer Breakdown	46
Knife Setting Jig.....	17	Jointer Parts List.....	47
Test Run	18	Labels/Cosmetic Parts	49
OPERATIONS	19	Warranty.....	50
General	19		
Basic Controls.....	20		
Stock Inspection & Requirements	21		
Squaring Stock.....	22		
Surface Planing.....	23		
Edge Jointing	24		
Bevel Cutting	25		
Rabbet Cutting	26		
MAINTENANCE	27		
General	27		
Cleaning	27		
V-Belts	27		
Lubrication	27		
Maintenance Schedule.....	27		

USE THE QUICK GUIDE PAGE LABELS TO SEARCH OUT INFORMATION FAST!





INTRODUCTION

Woodstock Technical Support

Your new **SHOP FOX**® 6" Parallelogram Jointer has been specially designed to provide many years of trouble-free service. Close attention to detail, ruggedly built parts and a rigid quality control program assure safe and reliable operation.

Woodstock International, Inc. is committed to customer satisfaction. Our intent with this manual is to include the basic information for safety, setup, operation, maintenance, and service of this product.

We stand behind our machines! In the event that questions arise about your machine, please contact Woodstock International Technical Support at (360) 734-3482 or send e-mail to: tech-support@shopfox.biz. Our knowledgeable staff will help you troubleshoot problems and process warranty claims.

If you need the latest edition of this manual, you can download it from <http://www.shopfox.biz>.
If you have comments about this manual, please contact us at:

Woodstock International, Inc.
Attn: Technical Documentation Manager
P.O. Box 2309
Bellingham, WA 98227
Email: manuals@woodstockint.com

MACHINE SPECIFICATIONS



Phone #: (360) 734-3482 • Online Tech Support: tech-support@shopfox.biz • Web: www.shopfox.biz

MODEL W1755 6" PARALLELOGRAM JOINTER

Motor

Type	TEFC Capacitor Start Induction
Horsepower	1½ HP
Phase / Voltage	Single-Phase / 110V/220V
Amps	15A/7.5A
Cycle / RPM.....	60 Hertz / 3450 RPM
Switch	Push Button w/Oversized OFF Button
Power Transfer.....	Belt Drive
Bearings	Sealed and Lubricated for Life

Capacity

Maximum Depth of Cut (per pass)	1/8"
Maximum Width of Cut	6"
Cutterhead Speed	4850 RPM
Cuts Per Minute	19,400

Overall Dimensions

Table Size	6" W X 55½" L
Height (from floor to table)	32½"
Overall Length	55½"
Overall Width.....	24½"
Shipping Weight.....	347 lbs.
Net Weight.....	320 lbs.
Box #1 Size.....	63" x 22" x 14"
Box #2 Size.....	29" x 20" x 28"
Stand Footprint	27" x 20½"
Cutterhead.....	4-Knife
Cutterhead Diameter.....	3"
Cutterhead Knife Size.....	6" x ¾" x 1/8"

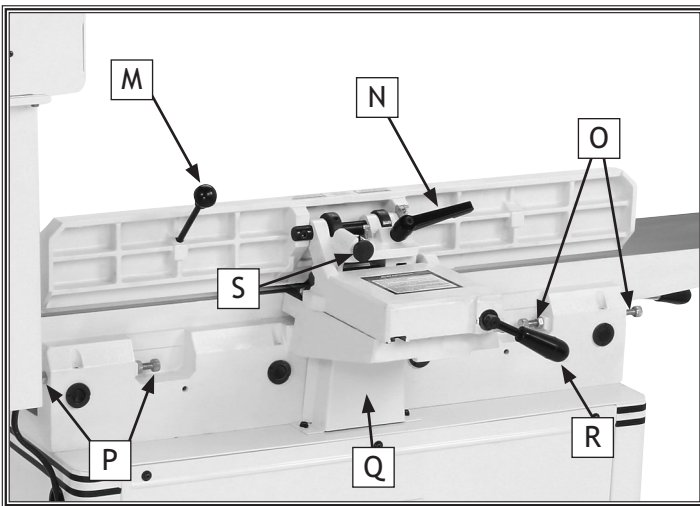
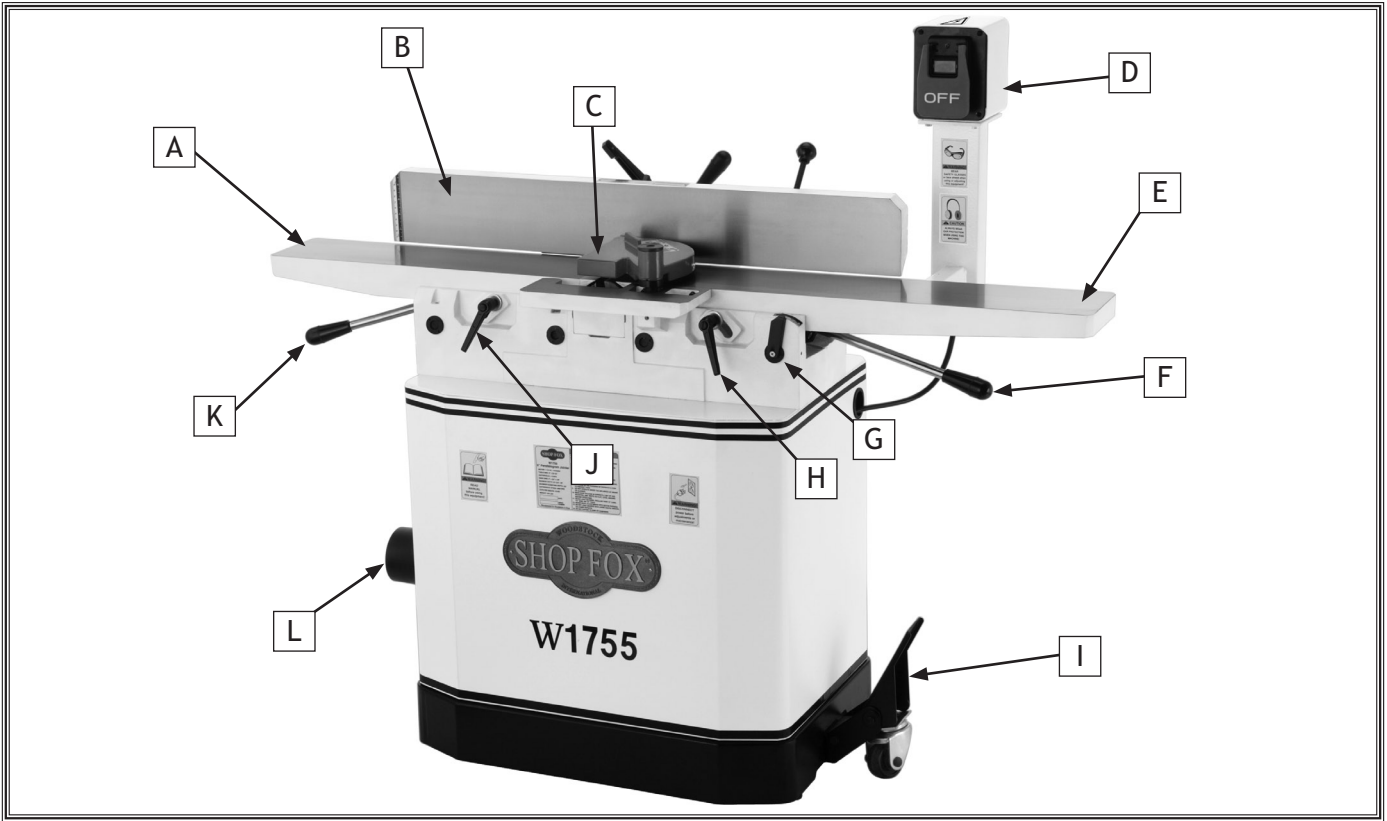
Construction

Tables	Precision Ground Cast Iron
Fence Assembly	Cast Iron
Body Assembly	Cast Iron
Stand.....	Steel
Guard	Aluminum
Bearings	Sealed and Lubricated for Life

Features

- Parallelogram-Style Tables
- Top Mount Switch Controls
- Built-In Mobile Base
- 5" Tall Fence
- Included Push Blocks
- Included Knife Setting Jig

Controls and Features



- A. Outfeed Table
- B. Fence
- C. Cutterhead Guard
- D. ON/OFF Switch
- E. Infeed Table
- F. Infeed Table Adjustment Lever
- G. Cutting Depth Scale
- H. Infeed Table Lock
- I. Mobile Base Lock Pedal
- J. Outfeed Table Lock
- K. Outfeed Table Adjustment Lever
- L. Dust Port
- M. Fence Tilt Handle
- N. Fence Tilt Lock
- O. Outfeed Table Positive Stops
- P. Infeed Table Positive Stops
- Q. Belt Guard
- R. Fence Lock
- S. Fence Tilt Release Plunger

SAFETY

**READ MANUAL BEFORE OPERATING MACHINE.
FAILURE TO FOLLOW INSTRUCTIONS BELOW WILL
RESULT IN PERSONAL INJURY.**



Indicates an imminently hazardous situation which, if not avoided, WILL result in death or serious injury.



Indicates a potentially hazardous situation which, if not avoided, COULD result in death or serious injury.



Indicates a potentially hazardous situation which, if not avoided, MAY result in minor or moderate injury.

NOTICE

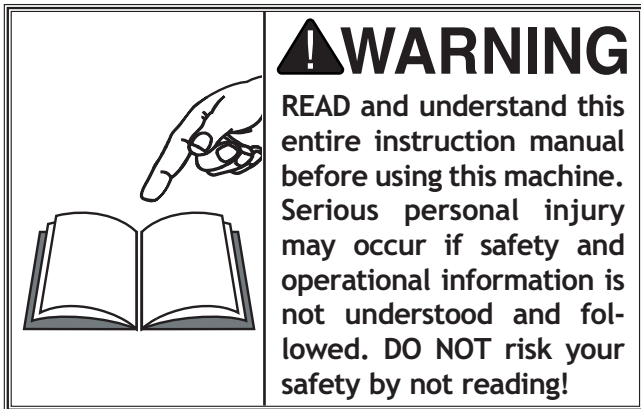
This symbol is used to alert the user to useful information about proper operation of the equipment, and/or a situation that may cause damage to the machinery.

Standard Safety Instructions

1. **READ THROUGH THE ENTIRE MANUAL BEFORE STARTING MACHINERY.** Machinery presents serious injury hazards to untrained users.
2. **ALWAYS USE ANSI APPROVED SAFETY GLASSES WHEN OPERATING MACHINERY.** Everyday eye-glasses only have impact resistant lenses—they are NOT safety glasses.
3. **ALWAYS WEAR A NIOSH APPROVED RESPIRATOR WHEN OPERATING MACHINERY THAT PRODUCES DUST.** Wood dust is a carcinogen and can cause cancer and severe respiratory illnesses.
4. **ALWAYS USE HEARING PROTECTION WHEN OPERATING MACHINERY.** Machinery noise can cause permanent hearing damage.
5. **WEAR PROPER APPAREL. DO NOT** wear loose clothing, gloves, neckties, rings, or jewelry which may get caught in moving parts. Wear protective hair covering to contain long hair and wear non-slip footwear.
6. **NEVER OPERATE MACHINERY WHEN TIRED, OR UNDER THE INFLUENCE OF DRUGS OR ALCOHOL.** Be mentally alert at all times when running machinery.
7. **ONLY ALLOW TRAINED AND PROPERLY SUPERVISED PERSONNEL TO OPERATE MACHINERY.** Make sure operation instructions are safe and clearly understood.
8. **KEEP CHILDREN AND VISITORS AWAY.** Keep all children and visitors a safe distance from the work area.
9. **MAKE WORKSHOP CHILD PROOF.** Use padlocks, master switches, and remove start switch keys.

10. **NEVER LEAVE WHEN MACHINE IS RUNNING.** Turn power **OFF** and allow all moving parts to come to a complete stop before leaving machine unattended.
11. **DO NOT USE IN DANGEROUS ENVIRONMENTS.** DO NOT use machinery in damp, wet locations, or where any flammable or noxious fumes may exist.
12. **KEEP WORK AREA CLEAN AND WELL LIT.** Clutter and dark shadows may cause accidents.
13. **USE A GROUNDED EXTENSION CORD RATED FOR THE MACHINE AMPERAGE.** Undersized cords over-heat and lose power. Replace extension cords if they become damaged. DO NOT use extension cords for 220V machinery.
14. **ALWAYS DISCONNECT FROM POWER SOURCE BEFORE SERVICING MACHINERY.** Make sure switch is in OFF position before reconnecting.
15. **MAINTAIN MACHINERY WITH CARE.** Keep blades sharp and clean for best and safest performance. Follow instructions for lubricating and changing accessories.
16. **MAKE SURE GUARDS ARE IN PLACE AND WORK CORRECTLY BEFORE USING MACHINERY.**
17. **REMOVE ADJUSTING KEYS AND WRENCHES.** Make a habit of checking for keys and adjusting wrenches before turning machinery **ON**.
18. **CHECK FOR DAMAGED PARTS BEFORE USING MACHINERY.** Check for binding and alignment of parts, broken parts, part mounting, loose bolts, and any other conditions that may affect machine operation. Repair or replace damaged parts.
19. **USE RECOMMENDED ACCESSORIES.** Refer to the instruction manual for recommended accessories. The use of improper accessories may cause risk of injury.
20. **DO NOT FORCE MACHINERY.** Work at the speed for which the machine or accessory was designed.
21. **SECURE WORKPIECE.** Use clamps or a vise to hold the workpiece when practical. A secured workpiece protects your hands and frees both hands to operate the machine.
22. **DO NOT OVERREACH.** Keep proper footing and balance at all times.
23. **MANY MACHINES WILL EJECT THE WORKPIECE TOWARD THE OPERATOR.** Know and avoid conditions that cause the workpiece to "kickback."
24. **ALWAYS LOCK MOBILE BASES (IF USED) BEFORE OPERATING MACHINERY.**
25. **BE AWARE THAT CERTAIN DUST MAY BE HAZARDOUS** to the respiratory systems of people and animals, especially fine dust. Make sure you know the hazards associated with the type of dust you will be exposed to and always wear a respirator approved for that type of dust.

Additional Safety Instructions for Jointers



1. **JOINTER KICKBACK.** "Kickback" is when the workpiece is thrown off the jointer table by the force of the cutterhead. Always use push blocks and safety glasses to reduce the likelihood of injury from "kickback." If you do not understand what kickback is, or how it occurs, **DO NOT** operate this machine.
2. **CUTTERHEAD ALIGNMENT.** Keep the top edge of the outfeed table aligned with the edge of the knife at top dead center (TDC) to avoid kickback and personal injuries.
3. **PUSH BLOCKS.** Always use push blocks whenever surface planing. Never pass your hands directly over the cutterhead without a push block.
4. **WORKPIECE SUPPORT.** Proper workpiece support while cutting is crucial for making safe cuts and avoiding injury. Never attempt to make a cut with an unstable workpiece.
5. **KICKBACK ZONE.** The "kickback zone" is the path directly through the end of the infeed table. Never stand or allow others to stand in this area during operation.
6. **MAXIMUM CUTTING DEPTH.** The maximum cutting depth for one pass is $\frac{1}{8}$ ". Never attempt any single cut deeper than this!
7. **JOINTING WITH THE GRAIN.** Jointing against the grain or jointing end grain is dangerous and could produce chatter or excessive chip out. Always joint with the grain.
8. **KEEPING GUARDS IN PLACE.** With the exception of rabbeting, all operations must be performed with the guard in place. After rabbeting, be sure to replace the guard.
9. **PROPER CUTTING.** When cutting, always keep the workpiece moving toward the outfeed table until the workpiece has passed completely over the cutterhead. Never move the workpiece backwards toward the infeed table, or the risk of kickback will be extreme.
10. **USING GOOD STOCK.** Jointing safety begins with your lumber. Inspect your stock carefully before you feed it over the cutterhead. Never joint a board that has loose knots, nails, or staples. If you have any doubts about the stability or structural integrity of your stock, **DO NOT** joint it!

Avoiding Potential Injuries



Figure 1. Correct operator and workpiece position, guard is in place, and push blocks are being used.



Figure 2. Never surface plane without push blocks!



Figure 4. Never stand directly behind the workpiece!



Figure 3. Never plane/edge-joint with the guard removed!



Figure 5. Never joint end grain!

ELECTRICAL

110V/220V Operation

The Model W1755 is prewired for 110V operation, but you can rewire it for 220V operation (refer to the wiring diagram on Page 41). We recommend connecting this machine to a dedicated circuit with a verified ground, using the circuit size given below. Never replace a circuit breaker with one of higher amperage without consulting a qualified electrician to ensure compliance with wiring codes.

This machine must be grounded! The electrical cord supplied with this machine comes with a grounding pin. If your outlet does not accommodate a ground pin, have it replaced by a qualified electrician.

If you are unsure about the wiring codes in your area or you plan to connect your machine to a shared circuit, you may create a fire or circuit overload hazard—consult a qualified electrician to reduce this risk.

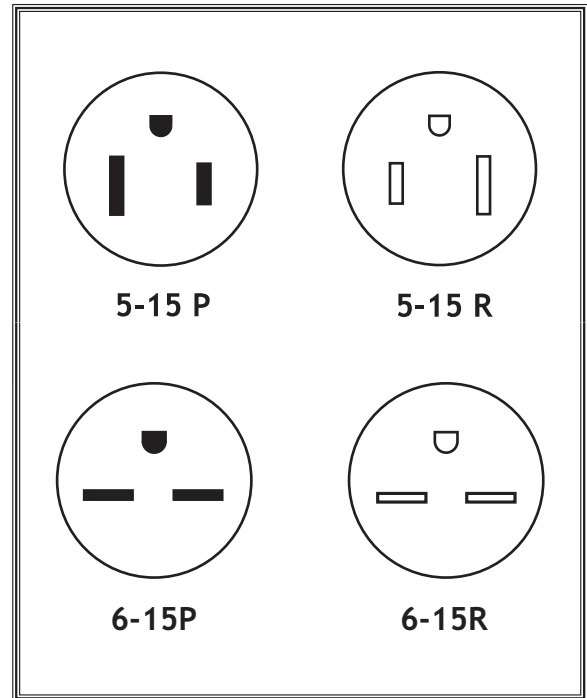


Figure 6. NEMA 5-20 and 6-15 plugs and receptacles.

Extension Cords

We do not recommend using an extension cord; however, if you have no alternative, use the following guidelines:

- Use a cord rated for Standard Service (S).
- Do not use a cord longer than 50 feet.
- Ensure that the cord has a ground wire and pin.
- Use the gauge size listed below as a minimum.

⚠ WARNING

DO NOT work on your electrical system if you are unsure about electrical codes and wiring! Seek assistance from a qualified electrician. Ignoring this warning can result in electrocution, fire, or machine damage.

Electrical Specifications

Operating Voltage	Amp Draw	Min. Circuit Size	Plug/Receptacle	Extension Cord
110V Operation	15 Amps	20A	NEMA 5-15	12 Gauge
220V Operation	7.5 Amps	15A	NEMA 6-15	14 Gauge

ELECTRICAL

SETUP

Unpacking

The SHOP FOX® Model W1755 has been carefully packaged for safe transporting. If you notice the machine has been damaged, please contact your authorized SHOP FOX® dealer immediately.

	<p>!WARNING SUFFOCATION HAZARD! Immediately discard all plastic bags and packing materials to eliminate suffocation hazards for children and animals.</p>
--	---

	<p>!WARNING READ and understand this entire instruction manual before using this machine. Serious personal injury may occur if safety and operational information is not understood and followed. DO NOT risk your safety by not reading!</p>
--	---

	<p>!WARNING UNPLUG power cord before you do any assembly or adjustment tasks! Otherwise, serious personal injury to you or others may occur!</p>
--	---

Items Needed for Setup

The following items are needed, but not included, to set up your machine:

- People for Lifting Help2
- Straightedge.....1
- Phillips Screwdriver #21
- Wrench or Socket 17mm1
- Wrench or Socket 14mm1
- Wrench or Socket 13mm1

SETUP

Inventory

The following is a description of the items shipped with the SHOP FOX® Model W1755.

Note: If you can't find an item on this list, check the mounting location on the machine or examine the packaging materials carefully. Occasionally we pre-install certain components for safer shipping.

Box 1: (Figure 7)	Qty
A. Jointer Assembly	1
B. Carriage	1
C. Fence	1
D. Extension Table	1
E. Push Blocks	2
F. Cutterhead Guard	1
G. Hex Wrenches 2.5, 4, 5, 6, 8mm	1 Each
H. Handle	1
I. Fence Tilt Lever	1
J. Open-end Wrench 8/10, 12/14mm	1 Each
K. Knife Setting Jig (not shown)	1

Box 2: (Figure 8)	Qty
L. Stand Assembly w/Motor	1
M. Pedestal Switch	1
N. Wheel Assembly	1
O. Belt Guard	1
P. Dust Port	1
Q. V-Belt	1

Assembly Fasteners	Qty
• Hex Bolt M8-1.25 x 50 (Wheel/Stand)	1
• Flat Washer 8mm (Wheel/Stand)	1
• Hex Bolts M10-1.5 x 55 (Wheel/Stand)	2
• Flat Washers 10mm (Wheel/Stand)	2
• Hex Nuts M10-1.5 (Wheel/Stand)	2
• Cap Screws M8-1.25 x 25 (Jointer/Stand)	4
• Lock Washers 8mm (Jointer/Stand)	4
• Flange Bolts M6-1 x 12 (Belt Guard)	2
• Hex Nuts M6-1 (Belt Guard)	2
• Flat Washers 6mm (Belt Guard)	2
• Cap Screws M6-1 x 20 (Extension Table)	2
• Cap Screw M10-1.5 x 30 (Carriage)	1
• Cap Screw M10-1.5 x 50 (Carriage)	1
• Flat Washers 10mm (Carriage)	2
• Cap Screws M8-1.25 x 30 (Fence)	2
• Cap Screws M10-1.5 x 25 (Pedestal)	2
• Lock Washers 10mm (Pedestal)	2
• Flat Washers 10mm (Pedestal)	2
• Phillips Screws M5-.8 x 16 (Dust Port)	4
• Flat Washers 5mm (Dust Port)	4

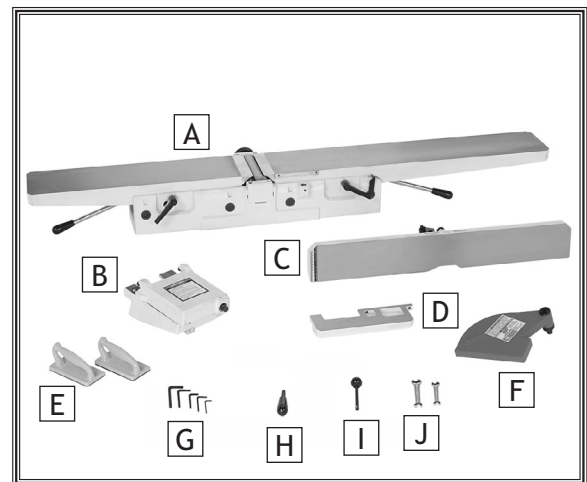
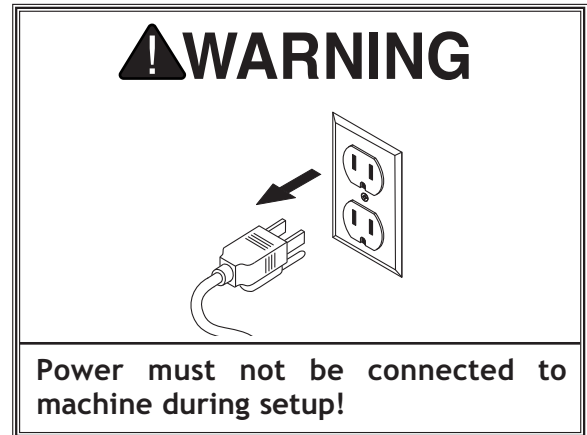


Figure 7. Box 1 inventory.



Figure 8. Box 2 inventory.



SETUP

Machine Placement

- **Floor Load:** This machine distributes a heavy load in a small footprint. Some residential floors may require additional bracing to support both machine and operator.
- **Working Clearances:** Consider existing and anticipated needs, size of material to be processed through the machine, and space for auxiliary stands, work tables or other machinery when establishing a location for your Jointer.
- **Lighting:** Lighting should be bright enough to eliminate shadow and prevent eye strain.
- **Electrical:** Electrical circuits must be dedicated or large enough to handle amperage requirements. Outlets must be located near each machine, so power or extension cords are clear of high-traffic areas. Follow local electrical codes for proper installation of new lighting, outlets, or circuits.

Cleaning Machine

The table and other unpainted parts of your Jointer are coated with a waxy grease that protects them from corrosion during shipment. Clean this grease off with a solvent cleaner or citrus-based degreaser. **DO NOT** use chlorine-based solvents such as brake parts cleaner or acetone—if you happen to splash some onto a painted surface, you will ruin the finish.

SETUP

	<p>⚠ WARNING NEVER use gasoline or other petroleum-based solvents to clean with. Most have low flash points, which make them extremely flammable. A risk of explosion and burning exists if these products are used. Serious personal injury may occur if this warning is ignored!</p>
--	---

	<p>⚠ WARNING USE helpers or power lifting equipment to lift this 6" Parallelogram Jointer. Otherwise, serious personal injury may occur.</p>
--	---

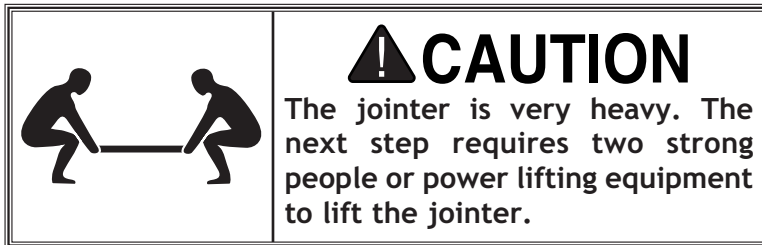
	<p>⚠ CAUTION ALWAYS work in well-ventilated areas far from possible ignition sources when using solvents to clean machinery. Many solvents are toxic when inhaled or ingested. Use care when disposing of waste rags and towels to be sure they DO NOT create fire or environmental hazards.</p>
--	--

	<p>⚠ CAUTION MAKE your shop "child safe." Ensure that your workplace is inaccessible to youngsters by closing and locking all entrances when you are away. NEVER allow untrained visitors in your shop when assembling, adjusting or operating equipment.</p>
--	---

Assembly

To assemble the jointer, do these steps:

1. Carefully lay the stand on its side so you can access the underside.
2. Use the M8-1.25 x 50 hex bolt and 8mm flat washer to bolt the wheel assembly to the stand, as shown in **Figure 9**.
3. Use the two M10-1.5 x 55 hex bolts, 10mm flat washers, and M10-1.5 hex nuts to finish tightening the wheel assembly to the stand, as shown in **Figure 10**.
4. Turn the stand rightside up and remove the back cover.



5. Lift the jointer onto the stand and align the mounting holes.
6. Use the provided four M8-1.25 x 25 cap screws and 8mm lock washers to secure the jointer to the stand, as shown in **Figure 11**.



Figure 9. Bolting wheel assembly to stand.



Figure 10. Securing wheel assembly to stand.



Figure 11. Securing the jointer to the stand.

7. Loosen the motor bracket bolts shown by the black arrows in **Figure 12**.
8. Put the V-belt on the motor pulley, then roll it onto the cutterhead pulley, as shown in **Figure 13**.
9. Check the alignment of the pulleys to make sure the V-belt is straight up and down.
 - If the pulleys are aligned, go to **Step 13**.
 - If the pulleys are NOT aligned, follow **Steps 10-12**.
10. Remove the V-belt and loosen the motor mount bolts shown by the white arrows in **Figure 12**.
11. Shift the motor horizontally as needed to align the pulleys, and tighten the motor mount bolts.
12. Reinstall the V-belt on the pulleys.
13. Pull down on the motor with one hand to keep tension on the V-belt, and tighten the motor bracket bolts with your other hand.
14. Push the center of the V-belt as illustrated in **Figure 14**, using moderate force. When tensioned correctly, the deflection should be approximately $\frac{1}{4}$ ".
 - If the deflection is outside of this range, then loosen the motor bracket bolts and repeat **Steps 13-14**.

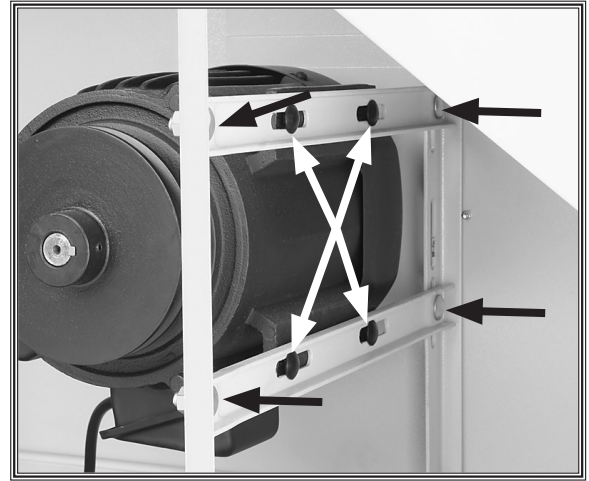


Figure 12. Motor bracket bolts (black arrows) and motor mount bolts (white arrows).



Figure 13. Rolling the V-belt onto the cutterhead pulley.

NOTICE

Overly loose V-belts can slip on the pulleys and burn up or cause poor machine performance. Overly tight V-belts cause unnecessary wear on the motor and pulley bearings, leading to a shortened lifespan.

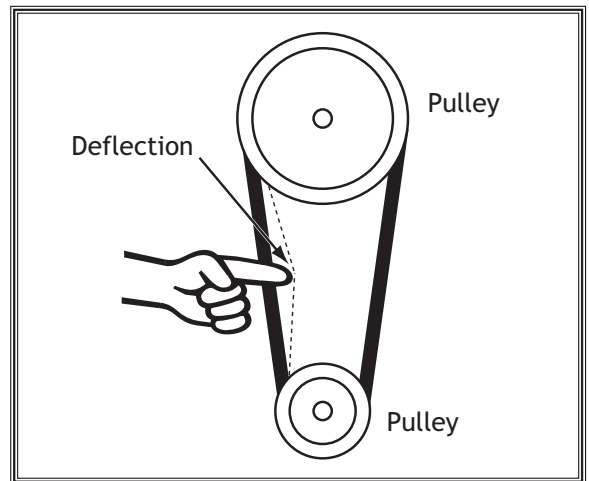


Figure 14. Checking belt deflection.

15. Install the belt guard with the two M6-1 x 10 flange bolts, M6-1 hex nuts, and 6mm flat washers, as shown in Figure 15.

⚠ CAUTION

The belt guard **MUST** be installed or the moving V-belt will be exposed, creating an entanglement hazard at the back of the jointer.

16. Replace the cover on the back of the jointer stand.
17. Use the two M6-1 x 20 cap screws to attach the extension table to the front of the jointer, as shown in Figure 16. Leave the cap screws loose for now.
18. Using a straightedge, make the extension table flush with the infeed table, then tighten the two cap screws to secure the extension table in place.

NOTICE

The outfeed table **MUST** be level with the knives at their highest point during rotation or the workpiece will hit the outfeed table during operation. The outfeed table height is factory set, but you **MUST** check it before operation.

19. Place a straightedge on the outfeed table so it extends over the cutterhead.
20. Carefully rotate the cutterhead pulley and notice if the knife contacts the straightedge when the knife is at its highest point in the rotation (top dead center or TDC), as shown in Figure 17.
 - The knife will barely touch the straightedge when the outfeed table is set correctly. If the outfeed table is set correctly, continue with the next step.
 - If the knife lifts the straightedge or does not contact the straightedge, the outfeed table must be adjusted. Do the procedure in **Setting Outfeed Table Height** on **Page 35**, then continue with the next step in this section.
 - If one knife is even with the outfeed table but other knives are not, the height of the knives must be adjusted evenly. See **Adjusting/Replacing Knives** on **Page 29**.

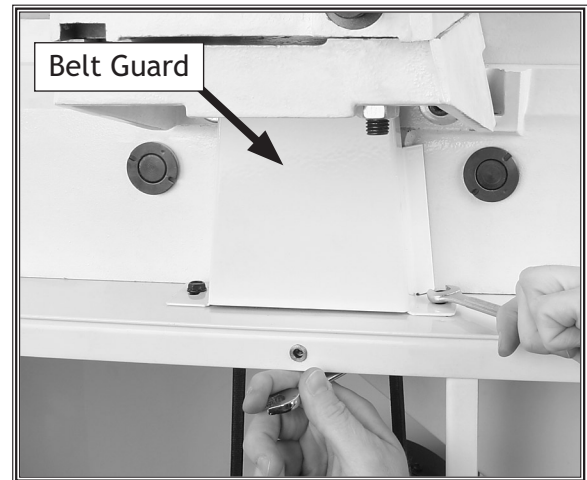


Figure 15. Installing the belt guard.



Figure 16. Attaching extension table to jointer.

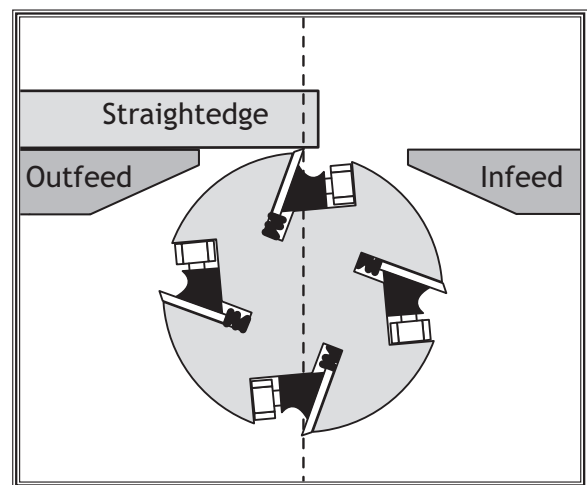


Figure 17. Using a straightedge to make sure outfeed table is level with knives at their highest point of rotation (TDC).

21. Attach the carriage to the back of the jointer with the M10-1.5 x 30 cap screw on the infeed side, the M10-1.5 x 50 cap screw on the outfeed side, and two 10mm flat washers. Leave the cap screws loose for now.
22. Place three pieces of paper on the jointer bed, slide the top half of the carriage over the paper, and allow it to rest on the paper, as shown in **Figure 18**.

Note: *The paper acts as a temporary shim for setting the carriage height, so it won't scratch the table when the fence is moved forward during regular operations.*

23. Tighten the carriage mounting cap screws and discard the paper.
24. Mount the lock handle on the carriage, as shown in **Figure 19**.
25. Attach the fence to the carriage with the two M8-1.25 x 30 cap screws, as shown in **Figure 20**.
26. Install the tilt lever in the fence (**Figure 21**).

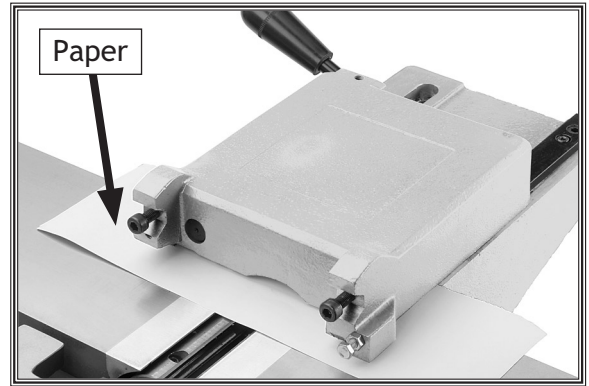


Figure 18. Carriage resting on paper to prop it up during tightening.

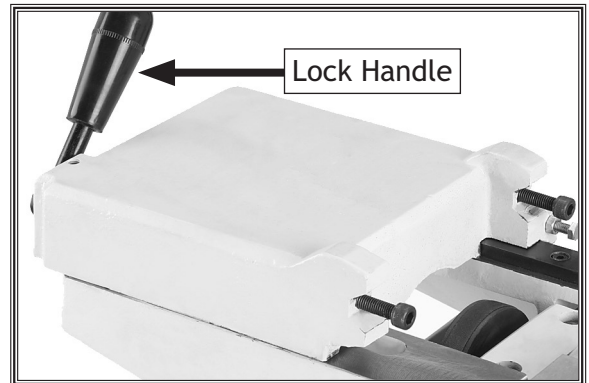


Figure 19. Fence carriage mounted on the back of the jointer.

! WARNING

The cutterhead guard is a critical safety feature on this machine—you **MUST** install and verify that it is working as intended before using the jointer! Failure to do this will greatly increase the chances of a serious injury when operating the jointer.

27. Insert the cutterhead guard shaft into the hole at the front of the infeed table, making sure that the flat part of the shaft faces the set screw shown in **Figure 22**.
28. Tighten the set screw against the shaft (see **Figure 22**) to secure the cutterhead guard in place.



Figure 20. Attaching fence to carriage.



Figure 21. Installing the tilt lever.

29. Test that the cutterhead guard is working correctly by pulling it back and letting go. The cutterhead guard should quickly spring back over the cutterhead when you do this.
 - If the guard does not quickly spring back over the cutterhead when you perform this test, then remove it and repeat Steps 27-29. Do not continue with the assembly until the cutterhead guard works correctly.
30. Use the two M10-1.5 x 25 cap screws, 10mm lock washers, and 10mm flat washers to attach the pedestal switch to the back of the jointer, as shown in Figure 23, then connect it to the motor cord.
31. Use the four M5-.8 x 16 Phillips head screws and 5mm flat washers to install the dust port on the jointer stand, as shown in Figure 24.

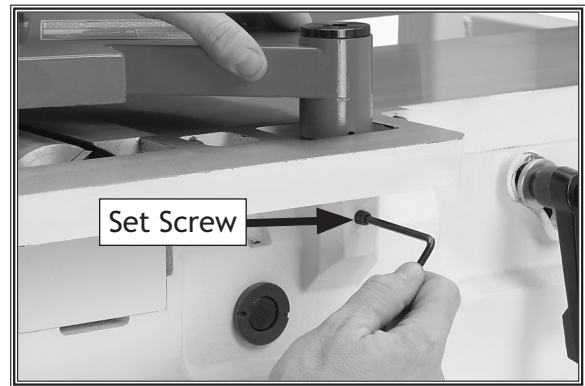


Figure 22. Securing the cutterhead guard.



Figure 23. Attaching pedestal switch to the back of the jointer.



Figure 24. Attaching dust port to jointer stand.

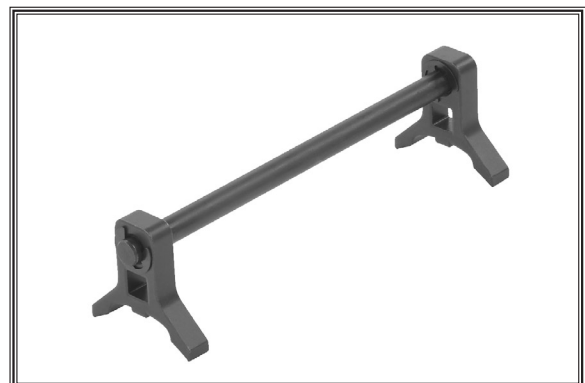


Figure 25. Knife setting jig assembly.

CAUTION

DO NOT operate the Model W1755 without an adequate dust collection system. This machine creates substantial amounts of wood dust while operating. Failure to use a dust collection system can result in short and long-term respiratory illness.

Dust Collection

Recommended CFM at Dust Port: 400 CFM

Do not confuse this CFM recommendation with the rating of the dust collector. To determine the CFM at the dust port, you must take into account many variables, including the CFM rating of the dust collector, the length of hose between the dust collector and the machine, the amount of branches or Y's, and the amount of other open lines throughout the system. Explaining this calculation is beyond the scope of this manual. If you are unsure of your system, consult an expert or purchase a good dust collection "how-to" book.

Knife Setting Jig

Assemble the knife setting jig as shown in Figure 25.

SETUP

Test Run

Complete this process once you have familiarized yourself with all instructions in this manual.

To test run the jointer, do these steps:

1. Read the entire owner's manual first to make sure you are familiar with the safety and operation controls of this machine!
2. Make sure all tools and foreign objects have been removed from the machine.
3. Review **Page 9** and connect your machine to the power source.
4. Lift the OFF paddle on the switch and press the red STOP button in all the way to make sure the switch is reset.
5. Turn the jointer **ON**.
 - The jointer should run smoothly with little or no vibration.
 - Immediately turn the jointer **OFF** if you suspect any problems, and refer to **Page 42** to troubleshoot/fix any problems before starting the jointer again. If the source of an unusual noise or vibration is not readily apparent, contact our technical support for help at (360) 734-3482 or contact us online at tech-support@shopfox.biz.
6. Press the STOP paddle to turn the jointer **OFF**.

⚠ WARNING

Projectiles thrown from the machine could cause serious eye injury. Wear safety glasses during assembly and operation.

⚠ WARNING

Loose hair and clothing could get caught in machinery and cause serious personal injury. Keep loose clothing rolled up and long hair tied up and away from machinery.

SETUP

OPERATIONS

General

The Model W1755 will perform many types of operations that are beyond the scope of this manual. Many of these operations can be dangerous or deadly if performed incorrectly.

The instructions in this section are written with the understanding that the operator has the necessary knowledge and skills to operate this machine. **If at any time you are experiencing difficulties performing any operation, stop using the machine!**

If you are an inexperienced operator, we strongly recommend that you read books, trade articles, or seek training from an experienced jointer operator before performing any unfamiliar operations. **Above all, your safety should come first!**

WARNING



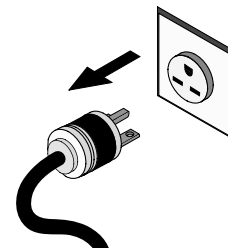
READ and understand this entire instruction manual before using this machine. Serious personal injury may occur if safety and operational information is not understood and followed. DO NOT risk your safety by not reading!

WARNING



Always wear safety glasses when operating the jointer. Failure to comply may result in serious personal injury.

WARNING



DO NOT investigate problems or adjust the jointer while it is running. Wait until the machine is turned OFF, unplugged and all working parts have come to a complete stop before proceeding!

Basic Controls

This section covers the basic controls used during routine operations.

ON/OFF Switch (Figure 26): Starts and stops the motor. After the OFF paddle is pushed, the switch may need to be reset before the next operation by lifting the paddle and fully depressing the STOP button.

Table Movement: To move the infeed table, loosen the table lock (Figure 27), move the table with the table lever, then tighten the table lock. The infeed table will only move through the preset range of the positive stops. To adjust the infeed table positive stops, refer to **Setting Infeed Table Height on Page 36**.

The outfeed table is preset with positive stops so no range of movement is allowed (if it gets accidentally unlocked it will not move). To adjust the outfeed table positive stops, refer to **Setting Outfeed Table Height on Page 35**.

Fence Movement: The fence has a lock handle that keeps it in position (Figure 28). To move the fence, loosen the lock handle and slide the fence where needed.

Fence Tilting: The tilt lock (Figure 28) secures the fence at any position in the available range. The plunger locks into an indexing ring to easily set the fence tilt to 90°. Positive stops stop the fence at 45° inward and 45° outward, for common 45° bevel cuts. Even when the fence is resting against the positive stops, the tilt lock must be tightened before cutting.

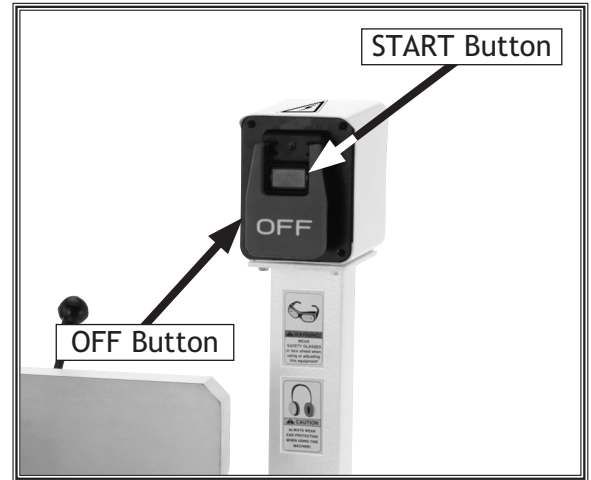


Figure 26. Motor operation controls.

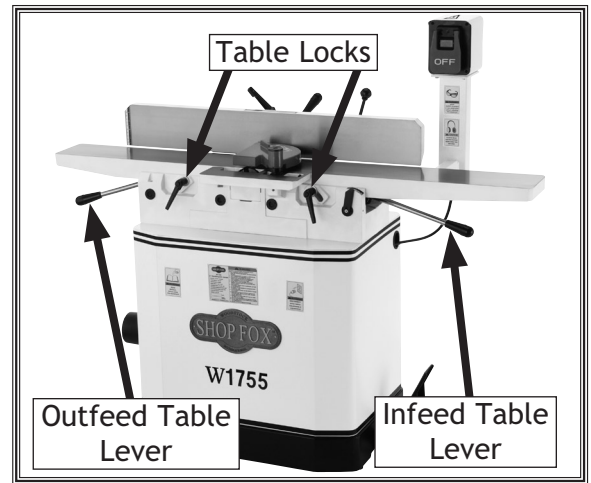


Figure 27. Table control locations.

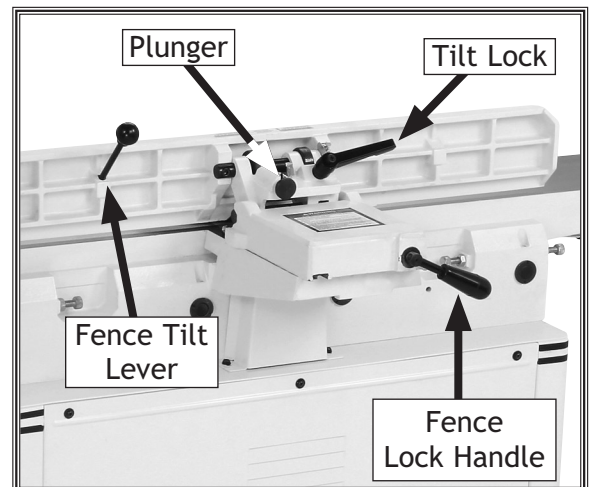


Figure 28. Fence lock, tilt lock, and stop block locations.

Stock Inspection & Requirements

Here are some rules to follow when choosing and jointing stock:

- **DO NOT joint or surface plane stock that contains loose knots.** Injury to the operator or damage to the workpiece can occur if the knots become dislodged during the cutting operation.
 - **DO NOT joint or surface plane against the grain direction.** Cutting against the grain increases the likelihood of stock kickback, as well as tear-out on the workpiece.
 - **Jointing and surface planing with the grain produces a better finish and is safer for the operator.** Cutting with the grain is described as feeding the stock on the jointer so the grain points down and toward you as viewed on the edge of the stock (Figure 29).
- Note: If the grain changes direction along the edge of the board, decrease the cutting depth and make additional passes.*
- **Remove foreign objects from the stock.** Make sure that any stock you process with the jointer is clean and free of any dirt, nails, staples, tiny rocks or any other foreign objects that may damage the jointer blades.
 - **Only process natural wood fiber through your jointer.** Never joint MDF, particle board, plywood, laminates or other synthetically made materials.
 - **Make sure all stock is sufficiently dried before jointing.** Wood with a moisture content over 20% will cause unnecessary wear on the knives and poor cutting results.
 - **Make sure your workpiece exceeds the minimum dimension requirements (Figures 30 & 31) before edge jointing or surface planing, or it may break or kick back during the operation!**

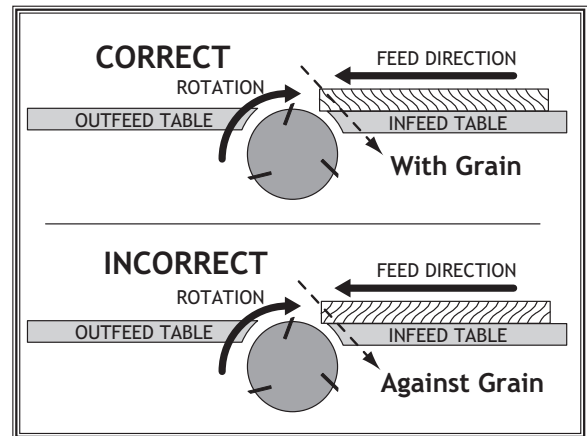


Figure 29. Correct setting for grain alignment.

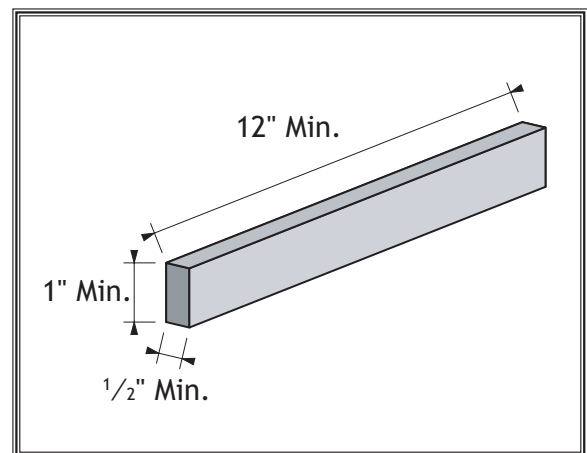


Figure 30. Minimum dimensions for edge jointing.

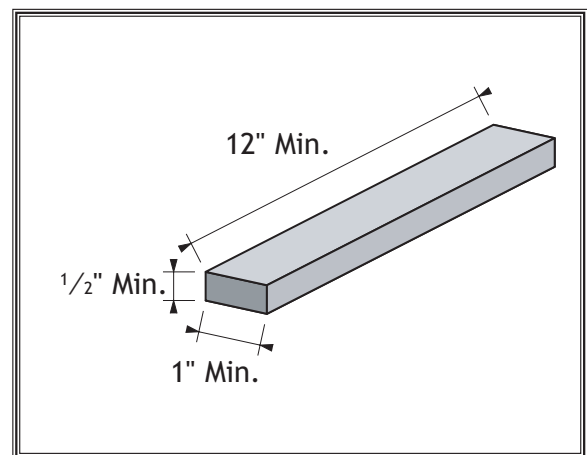


Figure 31. Minimum dimensions for surface planing.

Squaring Stock

Squaring stock involves four steps performed in the order below:

1. **Surface Plane on the Jointer:** The concave face of the workpiece is surface planed flat with the jointer (**Figure 32**).
2. **Surface Plane on a Thickness Planer:** The opposite face of the workpiece is surface planed flat with a thickness planer (**Figure 33**).
3. **Edge Joint on the Jointer:** The concave edge of the workpiece is jointed flat with the jointer (**Figure 34**).
4. **Rip Cut on a Table Saw:** The jointed edge of the workpiece is placed against a table saw fence and the opposite edge cut off (**Figure 35**).

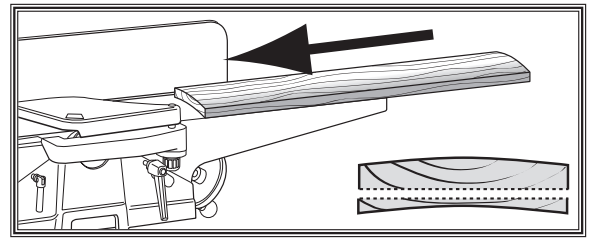


Figure 32. Surface plane on the jointer.

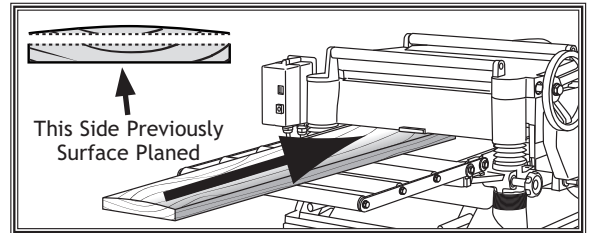


Figure 33. Surface plane on a thickness planer.

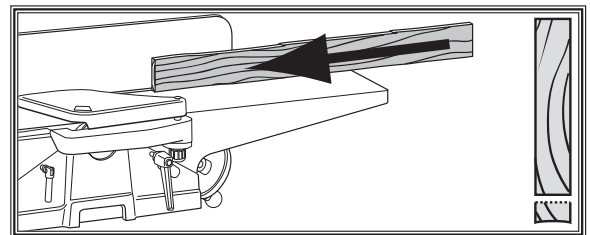


Figure 34. Edge joint on the jointer.

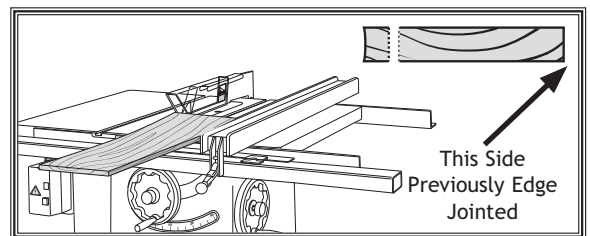


Figure 35. Rip cut on a table saw.

Surface Planing

The purpose of surface planing on the jointer is to make one flat face on a piece of stock (see **Figures 36 & 37**) to prepare it for surface planing on a thickness planer.

NOTICE

If you are not experienced with a jointer, set the depth of cut to 0", and practice feeding the workpiece across the tables as described below. This procedure will better prepare you for the actual operation.

To surface plane on the jointer, do these steps:

1. Read and understand **SAFETY**, beginning on **Page 5**.
2. Make sure your stock has been inspected for dangerous conditions as described in the **Stock Inspection & Requirements** instructions, beginning on **Page 21**.
3. Set the cutting depth for your operation. (We suggest $\frac{1}{32}$ " for surface planing, using a more shallow depth for hard wood species or for wide stock.)
4. Make sure your fence is set to 90° .
5. If your workpiece is cupped (warped), place it so the concave side is face down on the surface of the infeed table.
6. Start the jointer.
7. With a push block in each hand, press the workpiece against the table and fence with firm pressure, and feed the workpiece over the cutterhead (**Figure 36**).

Note: When your leading hand (with push block) gets within 4" of the cutterhead, lift it up and over the cutterhead, and place the push block on the portion of the workpiece that is on the outfeed table. Now, focus your pressure on the outfeed end of the workpiece while feeding, and repeat the same action with your trailing hand when it gets within 4" of the cutterhead. To keep your hands safe, **DO NOT** let them get closer than 4" from the cutterhead when it is moving!

8. Repeat **Step 7** until the entire surface is flat.



Figure 36. Typical surface planing operation.

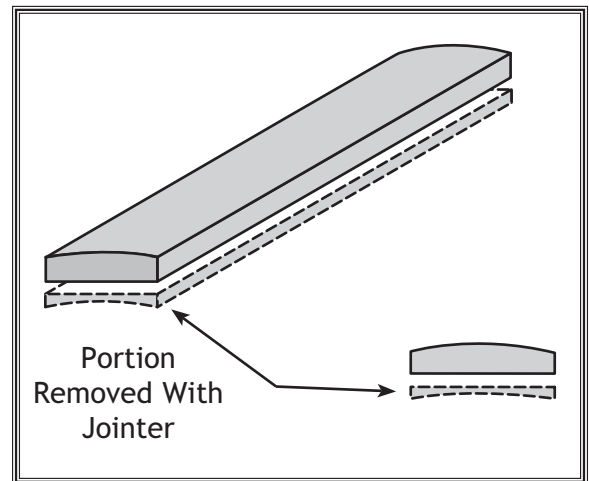


Figure 37. Illustration of surface planing results.

⚠ WARNING

Failure to use push blocks when surface planing may result in cutterhead contact, which will cause serious personal injury. Always use push blocks to protect your hands when surface planing on the jointer.

Edge Jointing

The purpose of edge jointing is to produce a finished, flat-edged surface (see **Figures 38 & 39**) that is suitable for joinery or finishing. It is also a necessary step when squaring rough or warped stock.

NOTICE

If you are not experienced with a jointer, set the depth of cut to 0", and practice feeding the workpiece across the tables as described below. This procedure will better prepare you for the actual operation.



Figure 38. Typical edge jointing operation.

To edge joint on the jointer, do these steps:

1. Read and understand **SAFETY**, beginning on **Page 5**.
2. Make sure your stock has been inspected for dangerous conditions as described in the **Stock Inspection & Requirements** instructions, beginning on **Page 21**.
3. Set the cutting depth for your operation. **Note:** We suggest between $\frac{1}{16}$ " and $\frac{1}{8}$ " for edge jointing, using a more shallow depth for hard wood species or for wide stock.
4. Make sure the fence is set to 90° .
5. If your workpiece is cupped (warped), place it so the concave side is face down (**Figure 39**) on the surface of the infeed table.
6. Start the jointer.
7. Press the workpiece against the table and fence with firm pressure. Use your trailing hand to guide the workpiece through the cut, and feed the workpiece over the cutterhead (See **Figure 38**).

Note: If your leading hand gets within 4" of the cutterhead, lift it up and over the cutterhead, and place it on the portion of the workpiece that is over the outfeed table. Now, focus your pressure on the outfeed end of the workpiece while feeding, and repeat the same action with your trailing hand if it gets within 4" of the cutterhead. To keep your hands safe, **DO NOT** let them get closer than 4" from the cutterhead when it is moving!

8. Repeat **Step 7** until the entire edge is flat.

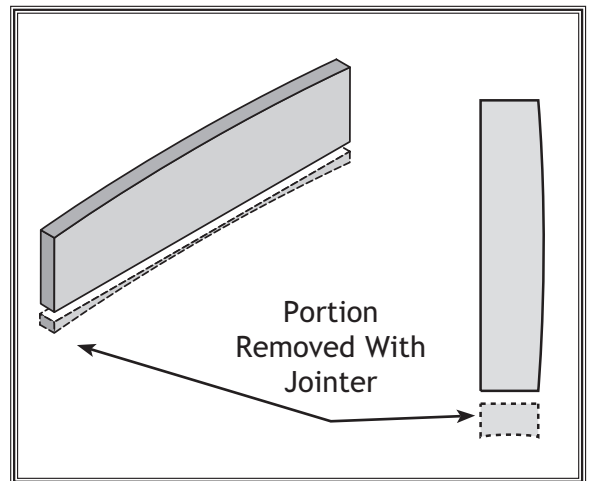


Figure 39. Illustration of edge jointing results.

Bevel Cutting

The purpose of bevel cutting is to cut a specific angle into the edge of a workpiece (see **Figures 40 & 41**).

The Model W1755 has preset fence stops at 45° inward, 90°, and 45° outward (135°). If your situation requires a different angle, the preset fence stops can be easily adjusted for your needs.

To bevel cut on the jointer, do these steps:

1. Read and understand **SAFETY**, beginning on **Page 5**.
2. Make sure your stock has been inspected for dangerous conditions as described in the **Stock Inspection & Requirements** instructions, beginning on **Page 21**.
3. Set the cutting depth for your operation.

Note: We suggest between $\frac{1}{16}$ " and $\frac{1}{8}$ " for bevel cutting, using a more shallow depth for hard wood species or for wide stock.

4. Make sure your fence is set to the angle of your desired cut.
5. If your workpiece is cupped (warped), place it so the concave side is face down on the surface of the infeed table.
6. Start the jointer.
7. With a push block in your leading hand, press the workpiece against the table and fence with firm pressure, and feed the workpiece over the cutterhead.

Note: If your leading hand gets within 4" of the cutterhead, lift it up and over the cutterhead, and place the push block on the portion of the workpiece that is on the outfeed table. Now, focus your pressure on the outfeed end of the workpiece while feeding, and repeat the same action with your trailing hand when it gets within 4" of the cutterhead. To keep your hands safe, **DO NOT** let them get closer than 4" from the cutterhead when it is moving!

8. Repeat **Step 7** until the angled cut is satisfactory to your needs.

NOTICE

If you are not experienced with a jointer, set the depth of cut to 0", and practice feeding the workpiece across the tables as described below. This procedure will better prepare you for the actual operation.



Figure 40. Typical bevel cutting operation.

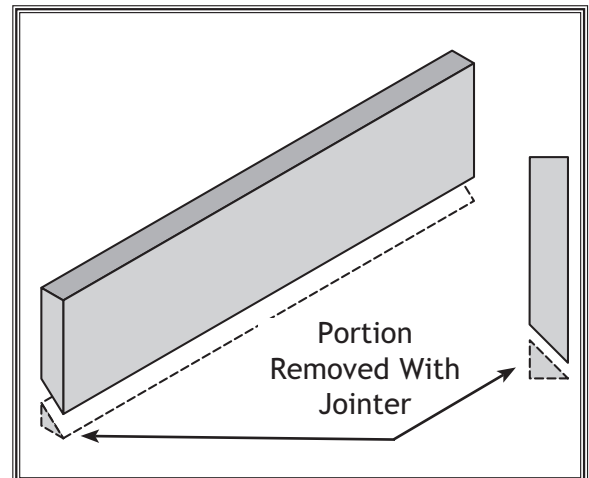


Figure 41. Illustration of bevel cutting results.

Rabbet Cutting

Rabbet cuts remove a section of the workpiece edge (see Figures 42 & 43). When combined with another rabbet cut edge, the rabbet joints create a simple, yet strong method of joining stock. Often, rabbet cuts must be made in multiple passes to achieve the desired depth.

! WARNING

When the cutterhead guard is removed, attempting any other cut besides a rabbet directly exposes the operator to the moving cutterhead. Always replace the cutterhead guard after rabbet cutting!

To rabbet cut on the jointer, do these steps:

1. Read and understand **SAFETY**, beginning on Page 5.
2. Make sure your stock has been inspected for dangerous conditions as described in **Stock Inspection & Requirements** on Page 21.
3. Set the initial cutting depth between $\frac{1}{16}$ " and $\frac{1}{8}$ ", depending on the hardness of the type of wood you are using.
4. Remove the cutterhead guard.
5. Make sure your fence is moved forward, so the amount of infeed/outfeed table exposed is the same as the size of your rabbet. Also, make sure your fence is set to 90°
6. Turn the jointer **ON**.
7. Feed the workpiece over the cutterhead in the same manner as you would while surface planing, but use the extension table for additional support.
8. Turn the jointer **OFF**, and lower the infeed table between $\frac{1}{16}$ " and $\frac{1}{8}$ ", depending on the hardness of the type of wood you are using.

! CAUTION

DO NOT adjust the infeed table depth while the jointer is running.

9. Repeat Steps 6-8 until the your rabbet is cut to the desired depth.

NOTICE

If you are not experienced with a jointer, set the depth of cut to zero, and practice feeding the workpiece across the tables as described below. This procedure will better prepare you for the actual operation.



Figure 42. Typical rabbet cutting operation.

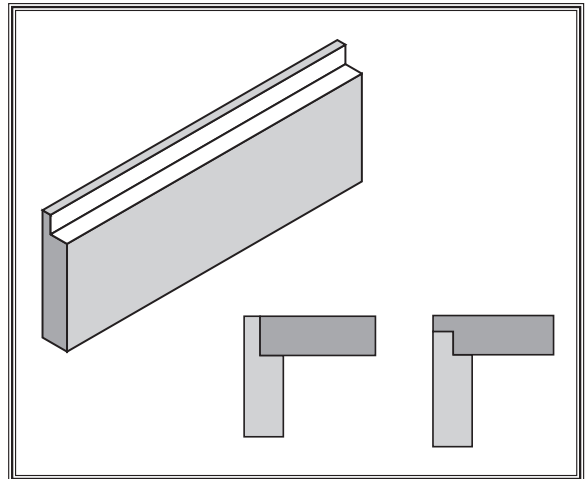


Figure 43. Rabbet cutting illustration.

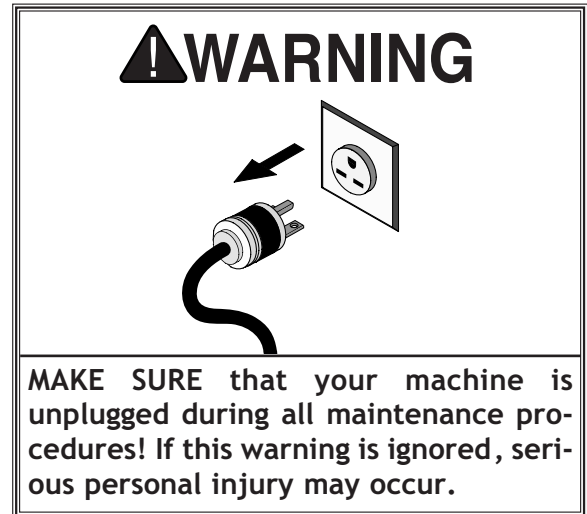
MAINTENANCE

General

Regular periodic maintenance on your **SHOP FOX®** Model W1755 will ensure its optimum performance. Make a habit of inspecting your machine each time you use it.

Check for the following conditions and repair or replace when necessary:

- Loose mounting bolts.
- Worn switch.
- Worn or damaged cords and plugs.
- Damaged V-belt.
- Damaged or loose knives.
- Any other condition that could hamper the safe operation of this machine.



Cleaning

Cleaning the Model W1755 is relatively easy. Vacuum excess wood chips and sawdust, and wipe off the remaining dust with a dry cloth. If any resin has built up, use a resin dissolving cleaner to remove it.

Protect the unpainted cast iron surfaces on the table by wiping the table clean after every use—this ensures moisture from wood dust does not remain on bare metal surfaces.

Keep tables rust-free with regular applications of a quality metal protectant.

V-Belts

To ensure optimum power transmission from the motor to the blade, the V-belt must be in good condition (free from cracks, fraying and wear) and properly aligned and tensioned (refer to the instructions on **Page 38**).

Lubrication

Since all bearings are sealed and permanently lubricated, simply leave them alone until they need to be replaced. **DO NOT** lubricate them.

Maintenance Schedule

Daily:

- Vacuum all dust on and around the machine.
- Wipe down tables and all other unpainted cast iron with a metal protectant.

Every Month:

- V-belt tension, damage, or wear.
- Clean/vacuum dust buildup from inside cabinet and off of motor.

SERVICE

General

This section covers the most common service adjustments or procedures that may need to be made during the life of your machine.

If you require additional machine service not included in this section, please contact Woodstock International Technical Support at (360) 734-3482 or send e-mail to: tech-support@shopfox.biz.

Inspecting Knives

The height of the knives can be inspected with a straightedge to ensure that they are set evenly with the outfeed table at their highest point in the cutterhead rotation.

To inspect the knives, do these steps:

1. DISCONNECT JOINTER FROM POWER SOURCE!
2. Remove the cutterhead guard or block it out of the way.
3. Using a straightedge, check the height of each knife at its highest point in relation to the outfeed table, at each of the straightedge positions shown in **Figure 44**.
 - The knives are set correctly when they barely touch the bottom of the straightedge in each of the positions shown in **Figure 44**.
 - If the knives do not touch the straightedge or they lift it up in any of the positions, they must be adjusted. Refer to **Adjusting/Replacing Knives** on Page 29.

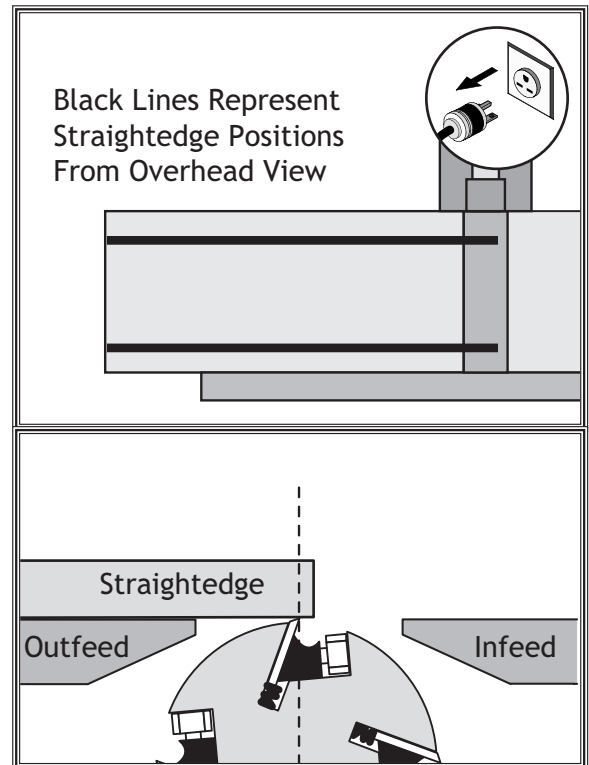
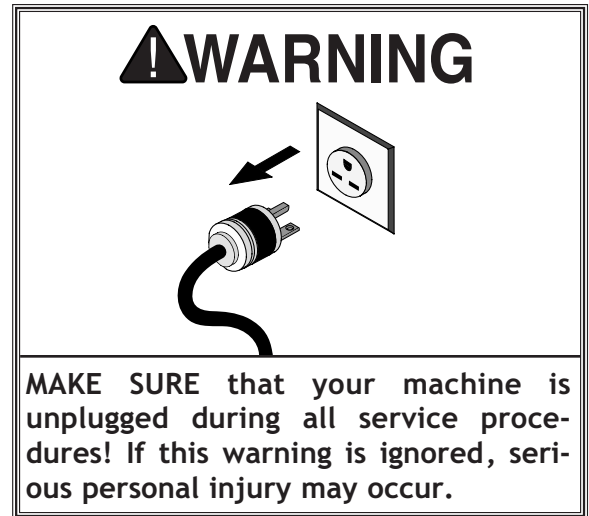


Figure 44. Checking knife height with a straightedge.

Adjusting/Replacing Knives

Setting the knives correctly is crucial to the proper operation of the jointer and is very important in keeping the knives sharp. If one knife is higher than the others, it will do the majority of the work, and thus, dull much faster than the others.

There are two options for setting the knives—the straight-edge method and the knife setting jig method. Each option has advantages and disadvantages and the correct one for you will become a matter of personal preference. The tables must be parallel with each other (**Checking/Adjusting Table Parallelism on Page 33**) and the outfeed table height must be properly set (**Setting Outfeed Table Height on Page 35**).

Straightedge Method

A high quality straightedge is held flat against the outfeed table and the knife heights are set to the bottom of the straightedge, as shown in **Figure 44**. Because the knife projection height from the cutterhead is dependent on the outfeed table height, the outfeed table must be set as described in **Setting Outfeed Table Height on Page 35** for this method to work correctly.

When using a straightedge to set the knives, you will not need to move the outfeed table once it is set and you will always be assured that the knives are even with the outfeed table in their highest point of rotation—even if the cutterhead is not parallel with the outfeed table.

Knife Setting Jig Method

Both tables are lowered to fit the jig on the cutterhead, as shown in **Figure 45**, and the knife heights are set to just touch the middle pad of the jig.

The knife setting jig makes it easy to ensure that the knives project out of the cutterhead evenly. After using the knife setting jig to set the knives, you have to re-adjust the outfeed table height to ensure that it is even with the knives at their highest point of rotation. If you are using the positive stops on the tables, they will need to also be reset before operation. Also, for the knife setting jig to work correctly, the outfeed table must be parallel with the cutterhead.

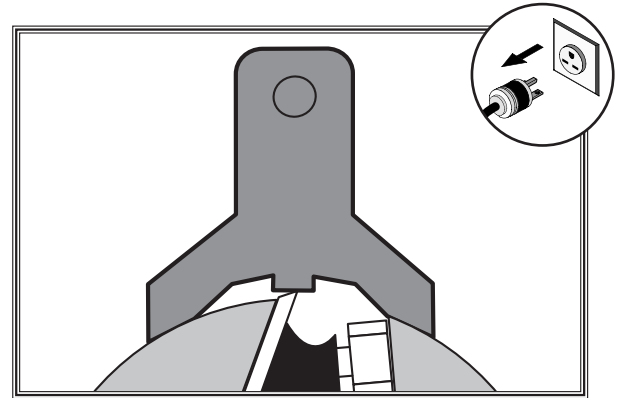


Figure 45. Using knife setting jig to set knife height.

The Model W1755 comes with both jack screws and springs inside the cutterhead to provide two options for adjusting the knives (see **Figure 46**).

Note: Only one of these options is needed to set the knives—**Step 5** gives the details.

To adjust/replace the knives, do these steps:

1. DISCONNECT JOINTER FROM POWER SOURCE!
2. Remove the cutterhead guard from the table and move the fence back as far as it will go.
3. Open the back cover to expose the cutterhead pulley.
4. Rotate the cutterhead pulley to access one of the cutterhead knives.
5. Loosen the cutterhead gib bolts (see **Figure 47**), starting in the middle, and alternating back and forth until all of the gib bolts are loose, but not falling out.

First Time Only

If this is the first time you are setting the knives, remove the gibs and knives from the cutterhead. Decide which adjustment option you are going to use between the jack screws and the springs.

- If you decide to use the jack screws, remove the springs from the cutterhead (they are located directly below the knives).
- If you decide to use the springs, just thread the jack screws completely into the cutterhead so they will not get lost.

6. Clean the gibs and clean inside the cutterhead slot to remove all pitch or sawdust. Coat the knives and gibs with a metal protectant, then fit the gibs back in the cutterhead with the new knives.

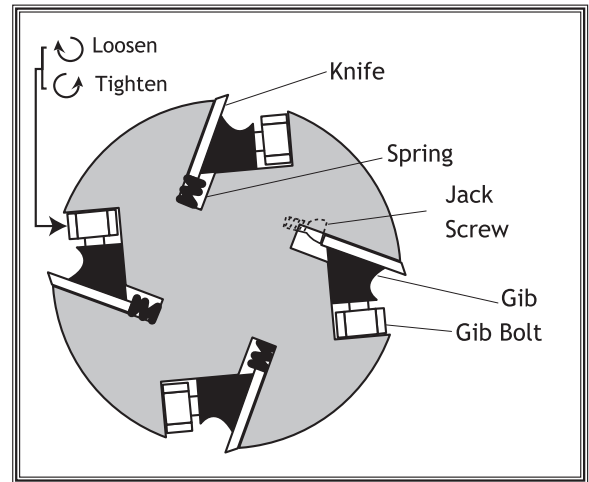


Figure 46. Cutterhead profile diagram.

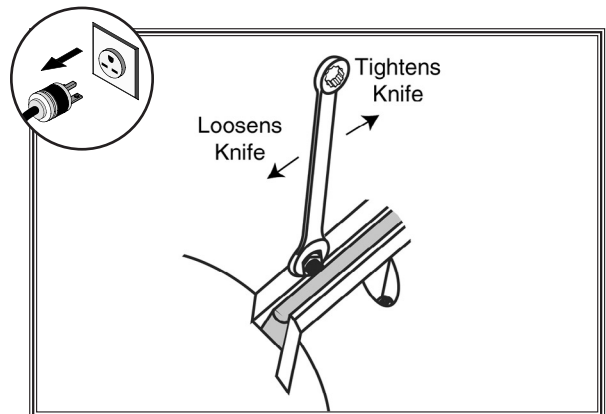


Figure 47. Gib bolt loosening/tightening direction.

7. Adjusting the knife heights:

Jack Screws: Using a 3mm hex wrench, find the jack screws through the access holes in the cutterhead (**Figure 48**) and rotate the jack screws to raise or lower the knife. When the knife is set correctly, it will barely touch the bottom of the straightedge or the knife setting jig middle pad. Snug the gib bolts tight enough to just hold the knife in place. Repeat on the other side of the cutterhead, then repeat **Steps 5-7** with the rest of the knives.

Springs: Push the knife down with the straightedge or middle pad of the knife setting jig, keeping the straightedge flat against the outfeed table or the knife setting jig feet evenly against the cutterhead. Tighten the gib bolts just tight enough to hold the knife in place. Repeat on the other side of the cutterhead, then repeat **Steps 5-7** with the rest of the knives.

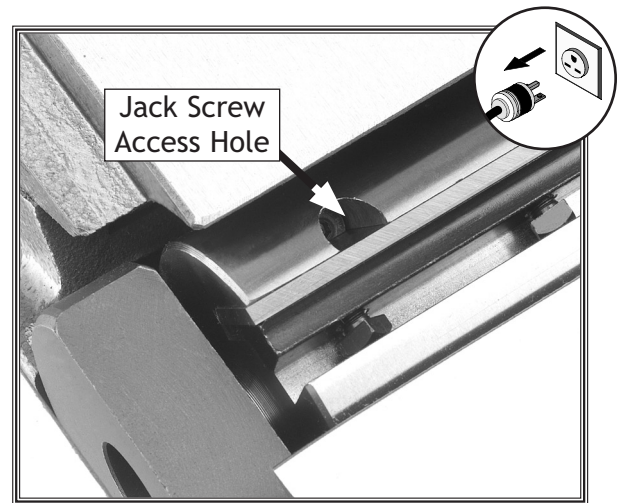


Figure 48. Jack screw access hole.

8. Rotate the cutterhead to the first knife you started with. Slightly tighten all the gib bolts, starting at the middle and working your way to the ends by alternating left and right (**Figure 49**). Repeat this step on the remaining knives.

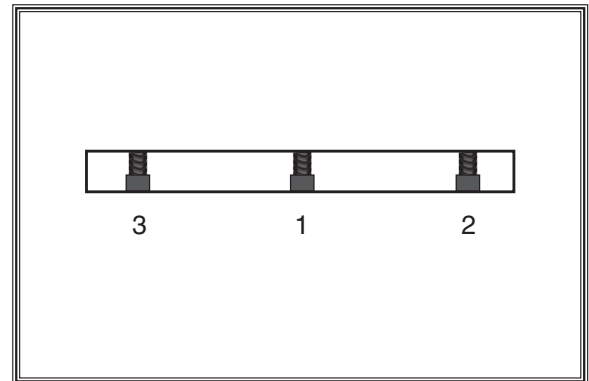


Figure 49. Gib bolt tightening sequence.

9. Repeat **Step 8**.

10. Repeat **Step 8**, but final tighten each gib bolt.

11. If you used the knife setting jig to set the knife heights, use a straightedge to adjust the outfeed table height evenly with the knives at top dead center (refer to **Setting Outfeed Table Height** on **Page 35**). If you used the straightedge to set the knife heights, skip to the next step.

12. Replace the cutterhead guard and close the back cover.

Checking/Adjusting Table Parallelism

If the tables are not parallel with the cutterhead or each other, then poor cutting results and kickback may occur.

Checking Outfeed Table

To check the outfeed table parallelism, do these steps:

1. DISCONNECT JOINTER FROM POWER SOURCE!
2. Remove the cutterhead guard and fence.
3. Loosen the outfeed table lock located at the front of the machine, and loosen the jam nuts and adjustment bolts located at the back of the machine (see **Figure 50**).
4. Place the straightedge on the outfeed table so it hangs over the cutterhead, then move the outfeed table until the straightedge just touches the cutterhead body, as shown in **Figure 51** (rotate the cutterhead if necessary).
5. Place the straightedge in the positions shown in **Figure 52**. In each position, the straightedge should touch the cutterhead and sit flat on the outfeed table.
 - If the straightedge touches the cutterhead and sits flat across the outfeed table in each position, then the outfeed table is already parallel with the cutterhead. Check the infeed table to make sure that it is parallel with the outfeed table.
 - If the straightedge does not touch the cutterhead and sit flat on the outfeed table in all of the positions, then the outfeed table is not parallel with the cutterhead. Correct the outfeed table parallelism, then correct the infeed table parallelism (refer to **Page 33**).



Figure 50. Table positive stop bolts.

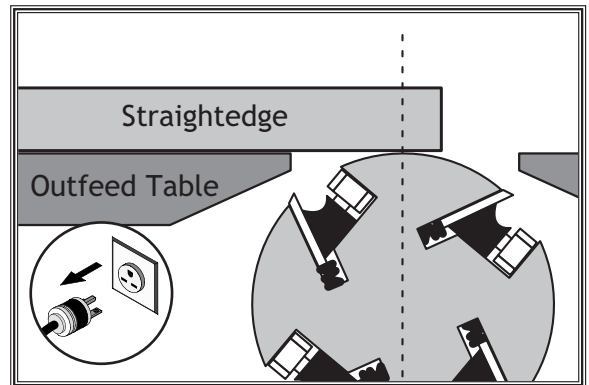


Figure 51. Adjusting outfeed table even with cutterhead body.

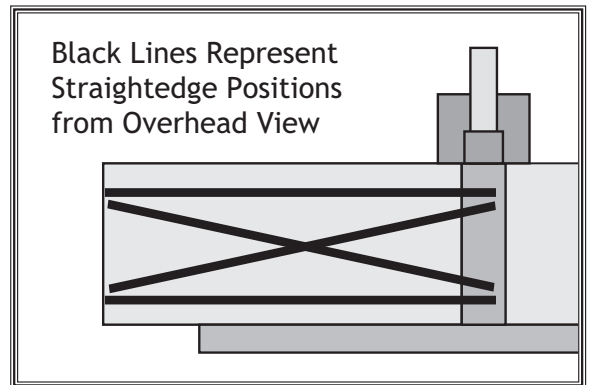


Figure 52. Straightedge positions for verifying if outfeed table is parallel with cutterhead.

Checking Infeed Table

To check the infeed table parallelism, do these steps:

1. Follow all the steps for checking the outfeed table parallelism to first make sure that the outfeed table is parallel with the cutterhead.
2. Raise the outfeed table higher than the cutterhead.

3. Place the straightedge halfway across the infeed table and halfway over the outfeed table, and adjust the infeed table even with the outfeed table, as shown in **Figure 53**.
4. Place the straightedge in the positions shown in **Figure 54**. In each position, the straightedge should sit flat against both the outfeed table and the infeed table.
 - If the straightedge sits flat against both the infeed and outfeed table, then the tables are parallel.
 - If the straightedge does not sit flat against both the infeed and outfeed table in any of the positions, then the infeed table needs to be adjusted parallel with the outfeed.

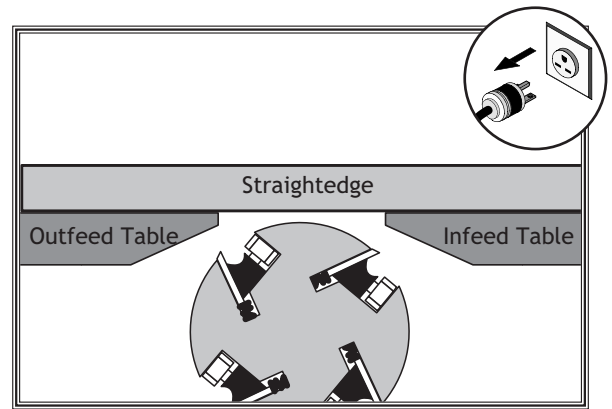


Figure 53. Infeed and outfeed tables set evenly.

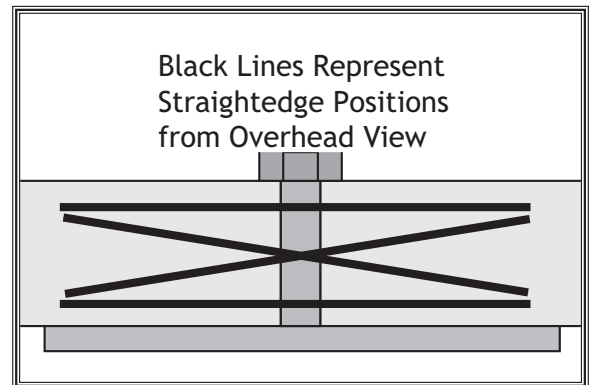


Figure 54. Straightedge positions for checking infeed/outfeed parallelism.

Adjusting Table Parallelism

For safe and proper cutting results, the tables must be parallel with the cutterhead. Adjusting them to be parallel is a task of precision and patience, and may take up to one hour to complete. Luckily, this is considered a permanent adjustment and should not need to be repeated for the life of the machine.

Due to the complex nature of this task, we recommend that you double check the current table positions to make sure that they really need to be adjusted before starting.

The tables have four eccentric bushings under each corner that allow the tables to be adjusted parallel. These eccentric bushings are locked in place by piggybacked set screws (one on top of the other) and adjusted when the eccentric bushing is rotated.

The correct order for adjusting the table parallelism is to first adjust the outfeed table parallel with the cutterhead, then adjust the infeed table parallel with the outfeed table.

When setting the outfeed table, all measurements must be made from the cutterhead body—not the knives—or results may get skewed the next time you change knives.

IMPORTANT: The next steps are intended to be performed in succession with the same steps for checking the outfeed table. Do not continue until you have followed those steps.

To adjust the table parallelism, do these steps:

1. DISCONNECT JOINTER FROM POWER SOURCE!
2. Remove the cutterhead guard and fence.
3. Place the straightedge on the outfeed table so it hangs over the cutterhead, and lower the outfeed table until the straightedge just touches the cutterhead body, as shown in **Figure 51**.
4. Remove the top set screw from each of the four eccentric bushings (**Figure 55**), then loosen the set screws underneath those removed set screws (there are two stacked set screws in each location).
5. Place the straightedge in one of the positions shown in **Figure 52**, and adjust the table (a small hammer and punch or pin-type spanner wrench may be necessary to turn the eccentric bushings) so that the straightedge touches the cutterhead body while lying flat across the outfeed table. Repeat this step with each of the remaining straightedge positions as many times as necessary until the outfeed table is parallel with the cutterhead body.
6. Tighten/replace the set screws in the eccentric bushings on the outfeed table.
7. Remove the set screw from each of the four eccentric bushings for the infeed table, then loosen the set screws underneath those removed set screws.
8. Place the straightedge halfway across both the infeed and outfeed tables, then adjust the infeed table even with the outfeed table (**Figure 53**).
9. Place the straightedge in one of the positions shown in **Figure 54**, and adjust the eccentric bushings under the infeed table so the straightedge lies flat against both tables. Repeat this step with each of the remaining straightedge positions as many times as necessary until the infeed table is parallel with the outfeed table.
10. Tighten/replace the set screws in the eccentric bushings on the infeed table.
11. Set the outfeed table height (refer to **Page 35**).
12. Set the knives (refer to **Page 29**).
13. Reinstall the cutterhead guard and fence.

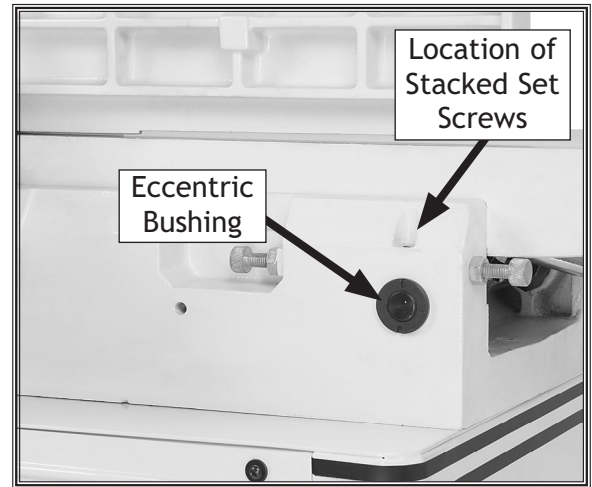


Figure 55. Eccentric bushing and set screw location.

Setting Outfeed Table Height

The outfeed table height must be even with the cutterhead knives at top dead center. If the outfeed table is set too low, there will be snipe. If the outfeed table is set too high, the workpiece will hit the edge of the outfeed table during operation, increasing the chance of kickback.

Setting the outfeed table requires some type of feeler gauge to get the height correct. Because a 0.062" ($1/16$ ") feeler gauge may be hard to find, you may need to stack two feeler gauges to make up this thickness.

To set the outfeed table height, do these steps:

1. DISCONNECT JOINTER FROM POWER SOURCE!
2. Check/adjust the table parallelism.
3. Remove the cutterhead guard and fence.
4. Loosen the outfeed table lock located at the front of the machine, and loosen the jam nuts and positive stop bolts located at the back of the machine (see **Figure 50**).
5. Place the straightedge on the outfeed table so it hangs over the cutterhead, and lower the outfeed table until the straightedge is 0.062" ($1/16$ ") above the cutterhead body, as determined by using the feeler gauges (see **Figure 56**).
6. Tighten the outfeed table lock located at the front of the machine, and tighten the positive stop bolts and jam nuts located at the back of the machine (see **Figure 50**).
7. Set the knife heights to the new outfeed table height.

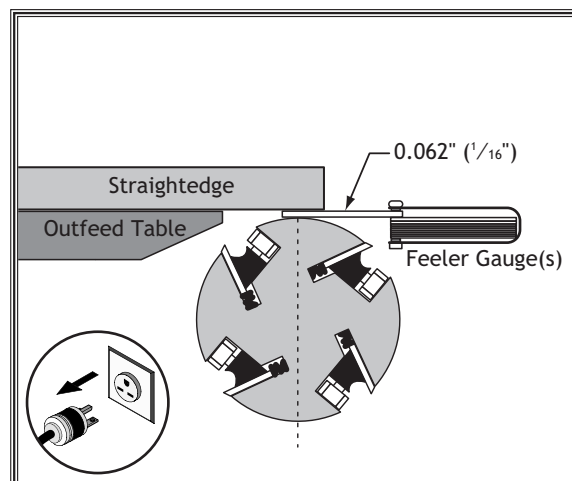


Figure 56. Using feeler gauge(s) to set outfeed table height.

Setting Infeed Table Height

The infeed table on the Model W1755 has positive stop bolts that, when properly set up, allow the operator to quickly adjust the infeed table between finish/final cuts (top height) and shaping/heavy cuts (bottom height).

We recommend setting the minimum depth of cut to $\frac{1}{32}$ " and the maximum depth of cut to $\frac{1}{8}$ " for most operations. **DO NOT** exceed $\frac{1}{8}$ " cut per pass on this machine or the risk of kickback and serious injury will greatly increase!

Each positive stop bolt (**Figure 57**) controls the top or bottom range of the table movement. The jam nut locks the positive stop bolt in position so it will not move during operation.

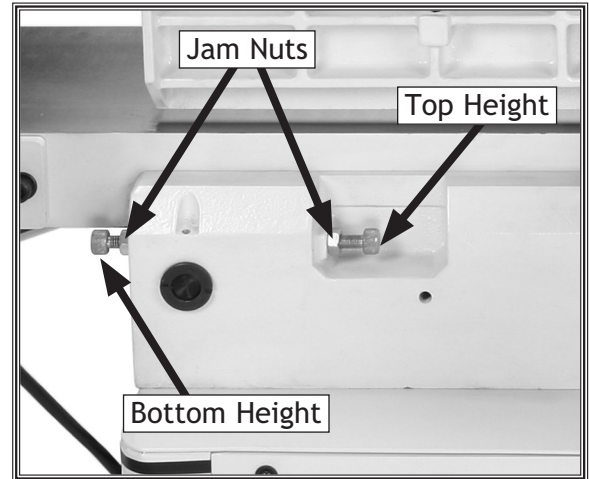


Figure 57. Positive stop bolts for infeed table.

Calibrating Depth Scale

The depth scale on the infeed table can be calibrated or "zeroed" if it is not correct.

To calibrate the depth scale, do these steps:

1. DISCONNECT JOINTER FROM POWER SOURCE!
2. Loosen the infeed table positive stop bolts.
3. Use the straightedge to help adjust the infeed table exactly even with the outfeed table, as shown in **Figure 58**.
4. Using a screwdriver, adjust the scale pointer to "0" (**Figure 59**), then reset the infeed table positive stops.

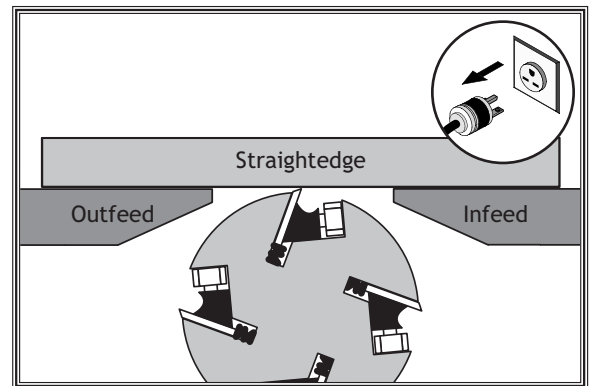


Figure 58. Infeed table even with outfeed table.

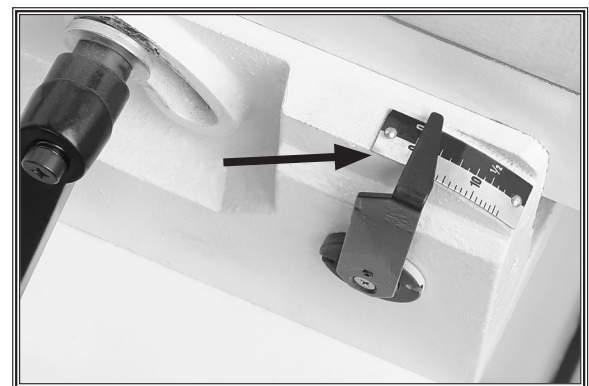


Figure 59. Depth scale adjusted to "0" position.

Setting Fence Stops

The fence stops simplify the task of adjusting the fence to 45° inward, 90°, and 45° outward (135°).

To set the 45° inward fence stop, do these steps:

1. Tilt the fence approximately 45° inward (**Figure 60**) onto the positive stop bolts, using a 45° square as a gauge.
2. Loosen the jam nut on the 45° inward positive stop bolt shown in **Figure 60**.
3. Adjust the positive stop bolts until the fence is exactly 45° inward while resting on the bolts (verify the angle with a 45° square).
4. Retighten the jam nut loosened in **Step 2**.

To set the 90° fence stop, do these steps:

1. Loosen the set screw in the plunger lock collar shown in **Figure 61**, and loosen the fence tilt lock.
2. Using a 90° square, adjust the fence to the 90° position, as shown in **Figure 62**.
3. Tighten the set screw in the plunger lock collar.
4. Adjust the indicator (if necessary) to 0° to calibrate the fence tilt scale.

To set the 45° outward fence stop, do these steps:

1. Loosen the fence tilt lock, and position the fence against the 45° outward positive stop bolt.
2. Loosen the jam nut on the 45° outward fence positive stop bolt (**Figure 63**).
3. Adjust the 45° outward positive stop bolt until the fence is exactly 45° outward while resting on the bolt, as shown in **Figure 63**.
4. Retighten the jam nut loosened in **Step 2**.

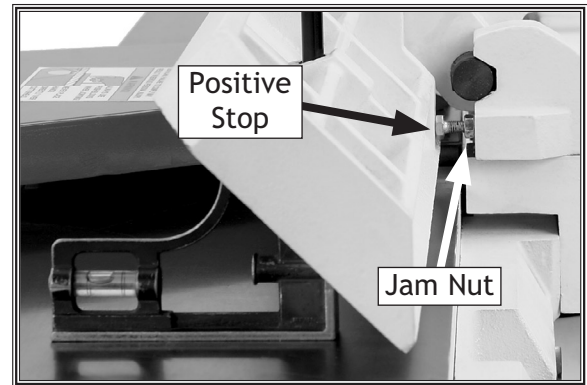


Figure 60. Fence adjusted 45° inward.

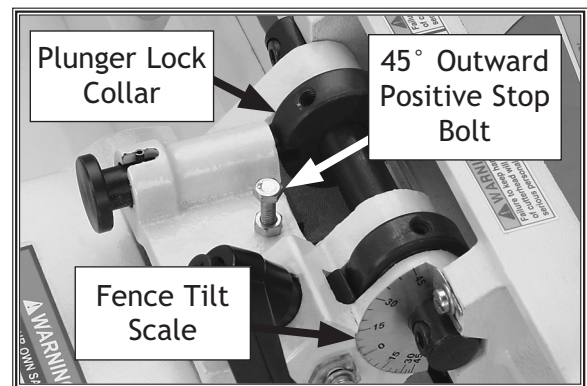


Figure 61. Fence controls.



Figure 62. Adjusting fence to 90°.



Figure 63. Adjusting fence 45° outward.

V-Belt Replacement

Inspect the V-belt closely; if you notice fraying, cracking, glazing, or any other damage, replace the belt. A worn or damaged V-belt will not provide optimum power transmission from the motor to the cutterhead.

Overly loose V-belts can slip on the pulleys and burn up or cause poor machine performance. Overly tight V-belts cause unnecessary wear on the motor and pulley bearings, leading to a shortened lifespan.

To replace the V-belts, do these steps:

1. DISCONNECT JOINTER FROM POWER SOURCE!
2. Open the back cover.
3. Loosen the motor bracket bolts shown by the black arrows in **Figure 64**.
4. Roll off the old V-belt and roll on the new V-belt, as shown in **Figure 65**.
5. Check the alignment of the pulleys to make sure the V-belt is straight up and down.
 - If the pulleys are aligned, skip to **Step 9**.
 - If the pulleys are NOT aligned, refer to **Pully Alignment** on **Page 39** and align the pulleys.
6. Pull down on the motor with one hand to keep tension on the V-belt, and tighten the motor bracket bolts with your other hand.
7. Push the center of the V-belt as illustrated in **Figure 66**, using moderate force. When tensioned correctly, the deflection should be approximately $\frac{1}{4}$ ".
 - If the deflection is not correct, loosen the motor bracket bolts and repeat **Steps 9-10**.
8. Reinstall the belt guard.
9. Replace the cover on the back of the jointer stand.

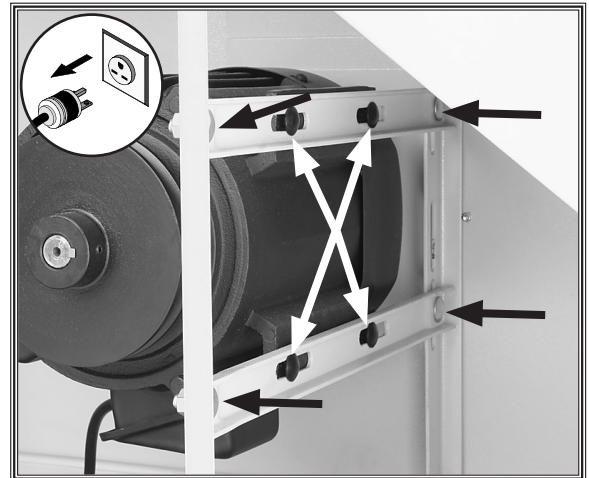


Figure 64. Motor bracket bolts (black arrows) and motor mount bolts (white arrows).



Figure 65. Rolling the V-belt onto the cutterhead pulley.

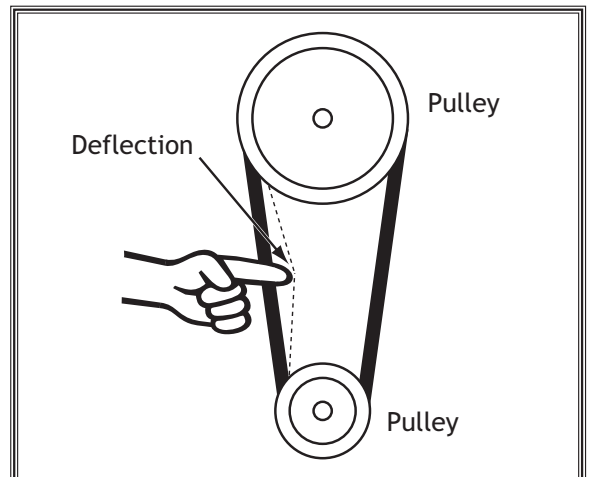


Figure 66. Checking belt deflection.

Pulley Alignment

Pulley alignment is another important factor in power transmission and belt life. The pulleys should be parallel to each other and in the same plane (coplanar) for optimum performance.

Each pulley can be adjusted by loosening the motor mount bolts, sliding the motor in or out, and retightening the fasteners to lock the motor pulley in place.

To align the pulleys, do these steps:

1. DISCONNECT JOINTER FROM POWER SOURCE!
2. Open the back cover and remove the belt guard.
3. Visually check the alignment of the two pulleys to make sure that they are aligned and that the V-belts are straight up and down (see **Figure 67**).
 - If the pulleys are aligned, go to **Step 8**.
 - If the pulleys are NOT aligned, do **Steps 4-7**.
4. Loosen the motor mount bolts shown in **Figure 68**.
5. Shift the motor horizontally as needed to align the motor pulley with the cutterhead pulley.
6. Tighten the motor mount bolts.
7. Close the back cover and reinstall the belt guard.

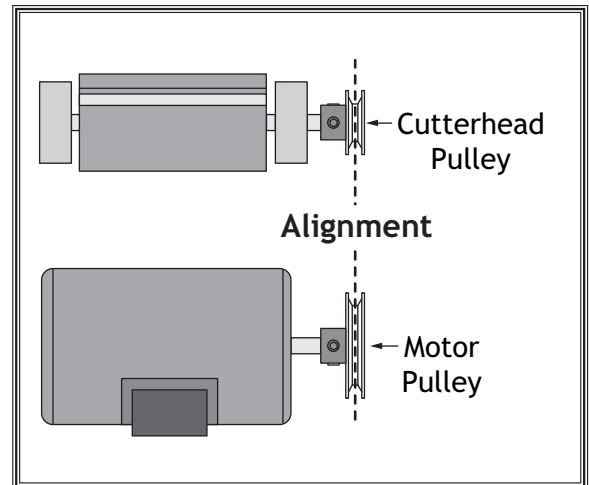


Figure 67. Pulleys aligned.

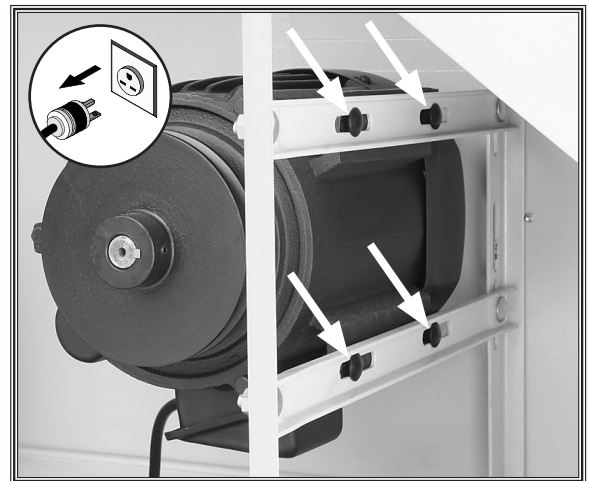


Figure 68. Motor mount bolts for adjusting pulley alignment.

Electrical Components

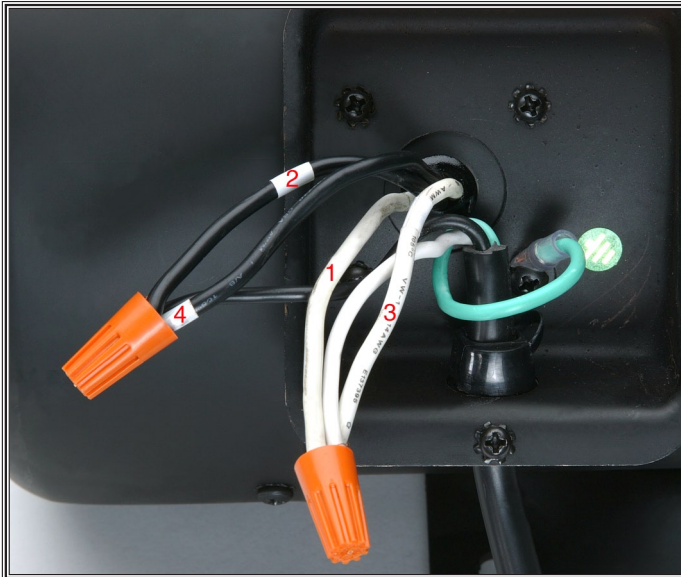


Figure 69. Motor wired for 110V.

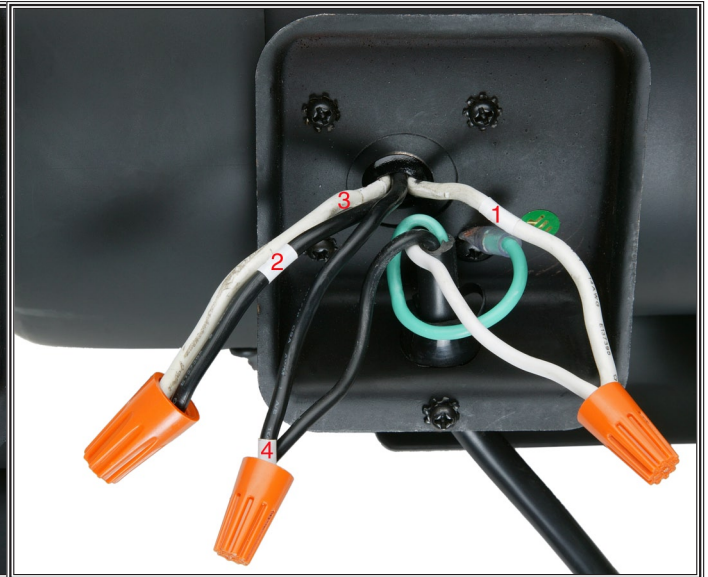


Figure 71. Motor wired for 220V.

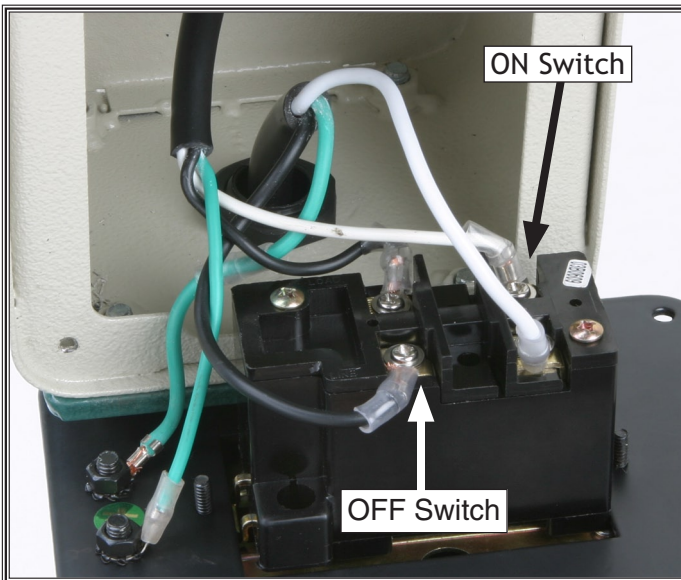
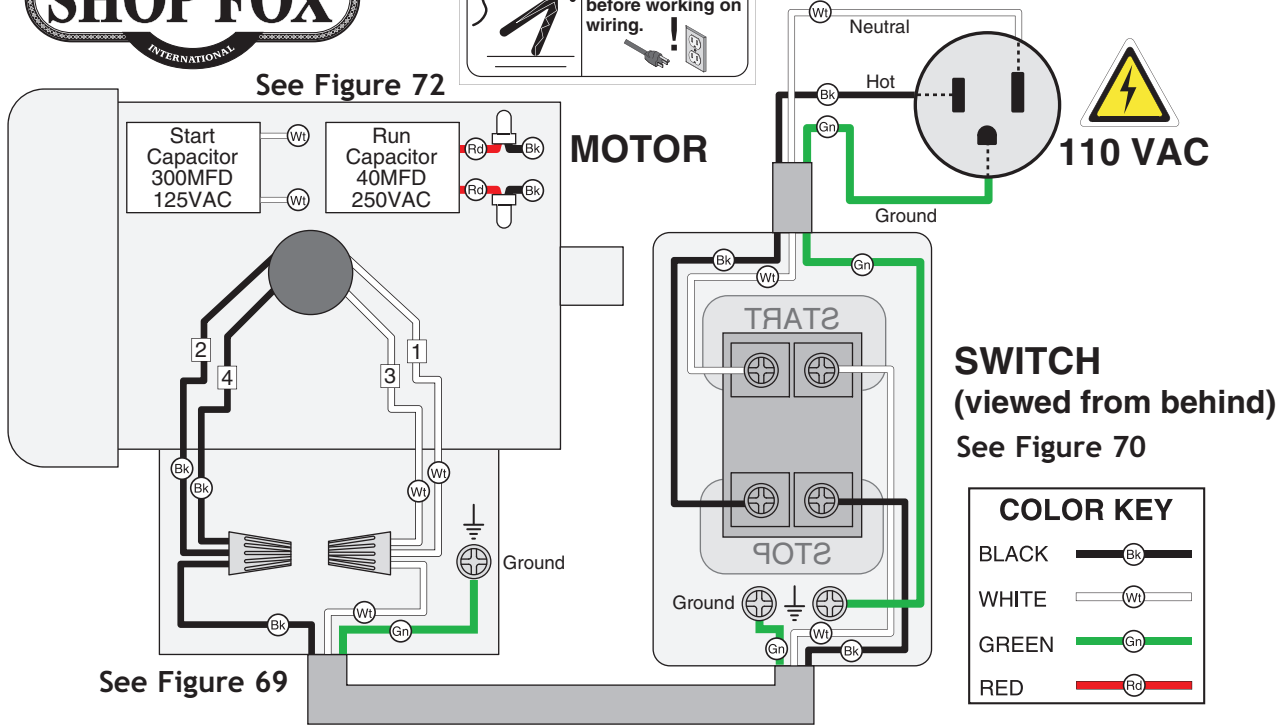


Figure 70. ON/OFF Switch.

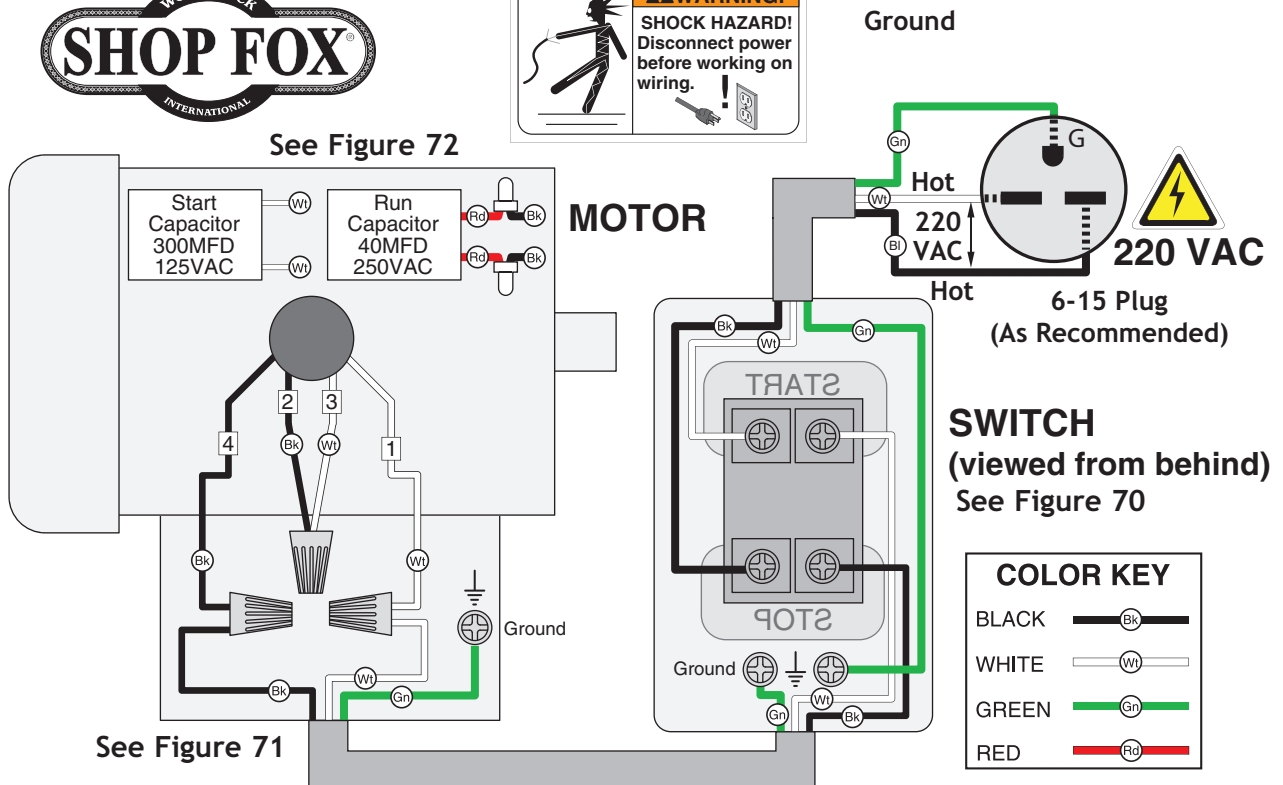


Figure 72. Motor capacitors.

110V Wiring Diagram

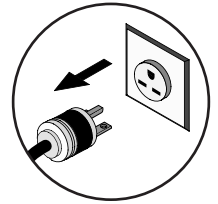


220V Wiring Diagram



SERVICE

Troubleshooting



This section covers the most common problems and corrections with this type of machine. **WARNING! DO NOT** make any adjustments until power is disconnected and moving parts have come to a complete stop!

Motor & Electrical

PROBLEM	POSSIBLE CAUSE	CORRECTIVE ACTION
Motor will not start.	<ol style="list-style-type: none"> 1. Stop button depressed. 2. No power. 3. Open circuit in motor or loose connections. 	<ol style="list-style-type: none"> 1. Twist the stop button to allow it to pop out. 2. Check circuit breaker. 3. Inspect all lead connections on motor for loose or open connections.
Fuses or circuit breakers blow.	<ol style="list-style-type: none"> 1. Short circuit in line cord or plug. 	<ol style="list-style-type: none"> 1. Repair or replace cord or plug for damaged insulation and shorted wires.
Motor overheats.	<ol style="list-style-type: none"> 1. Motor overloaded. 2. Air circulation through the motor restricted. 	<ol style="list-style-type: none"> 1. Reduce workpiece feed rate. 2. Clean out motor to provide normal air circulation.
Motor stalls or shuts off during a cut.	<ol style="list-style-type: none"> 1. Motor overloaded during operation. 2. Short circuit in motor or loose connections. 3. Circuit breaker tripped. 	<ol style="list-style-type: none"> 1. Reduce load on motor; take lighter cuts. 2. Repair or replace connections on motor for loose or shorted terminals or worn insulation. 3. Reduce # of machines running on that circuit.
Blade slows when cutting or makes squealing noise, especially on start-up.	<ol style="list-style-type: none"> 1. V-belt loose. 2. V-belt worn out. 	<ol style="list-style-type: none"> 1. Tighten V-belt (Page 38). 2. Replace V-belt (Page 38).
Loud, repetitious noise coming from machine.	<ol style="list-style-type: none"> 1. Pulley setscrews or keys are missing or loose. 2. Motor fan is hitting the cover. 3. V-belt are damaged. 	<ol style="list-style-type: none"> 1. Inspect keys and setscrews. Replace or tighten if necessary. 2. Adjust fan cover mounting position, tighten fan, or shim fan cover. 3. Replace V-belt (Page 38).
Vibration when running or cutting.	<ol style="list-style-type: none"> 1. Loose or damaged blade. 2. Damaged V-belt. 3. Worn cutterhead bearings. 	<ol style="list-style-type: none"> 1. Tighten or replace blade. 2. Replace. 3. Check/replace cutterhead bearings.

Table

PROBLEM	POSSIBLE CAUSE	CORRECTIVE ACTION
Tables are hard to adjust.	<ol style="list-style-type: none"> 1. Table lock is engaged or partially engaged. 2. Table stops blocking movement. 	<ol style="list-style-type: none"> 1. Completely loosen the table lock. 2. Loosen/reset table positive stops.

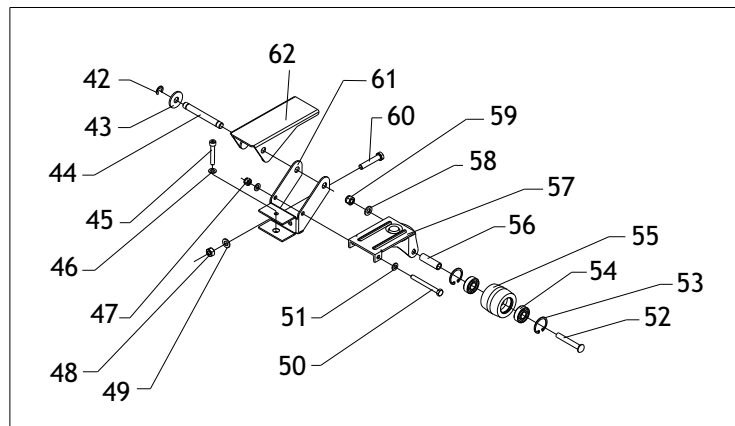
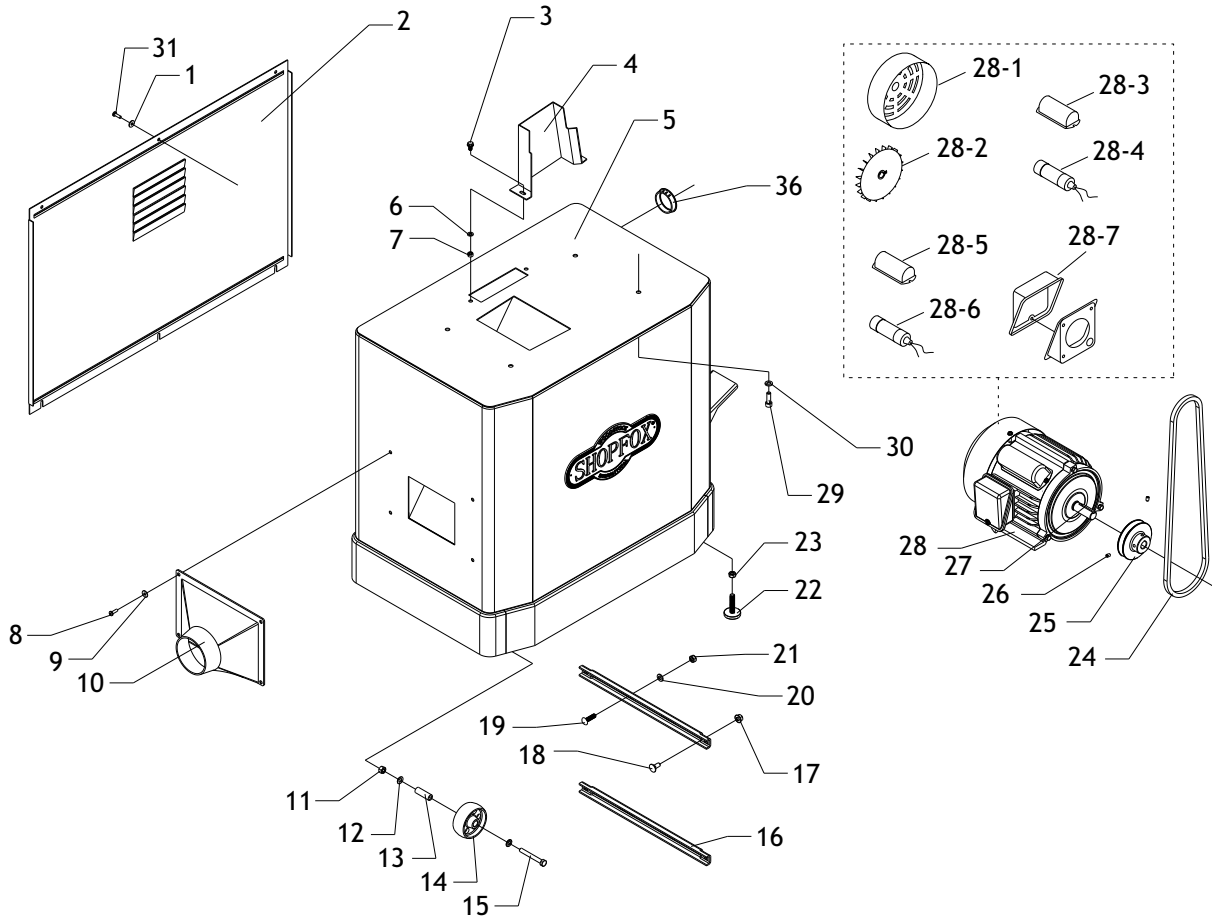
SERVICE

Cutting

PROBLEM	POSSIBLE CAUSE	CORRECTIVE ACTION
Excessive snipe (gouge in the end of the board that is uneven with the rest of the cut).	<ol style="list-style-type: none"> 1. Outfeed table is set too low. 2. Operator pushing down on trailing end of the workpiece. 	<ol style="list-style-type: none"> 1. Align outfeed table at top dead center of the cutterhead knives (Page 35). 2. Reduce/eliminate downward pressure on that end of workpiece.
Workpiece stops in the middle of the cut.	<ol style="list-style-type: none"> 1. Outfeed table is set too high. 	<ol style="list-style-type: none"> 1. Align outfeed table with cutterhead knife at top dead center (Page 35).
Chipping.	<ol style="list-style-type: none"> 1. Knots or conflicting grain direction in wood. 2. Nicked or chipped blades. 3. Feeding workpiece too fast. 4. Taking too deep of a cut. 	<ol style="list-style-type: none"> 1. Inspect workpiece for knots and grain (Page 21); only use clean stock. 2. Adjust one of the nicked knives sideways; replace knives (Page 30). 3. Slow down the feed rate. 4. Take a smaller depth of cut. (Always reduce cutting depth when surface planing or working with hard woods.)
Fuzzy Grain.	<ol style="list-style-type: none"> 1. Wood may have high moisture content or surface wetness. 2. Dull knives. 	<ol style="list-style-type: none"> 1. Check moisture content and allow to dry if moisture is over 15%. 2. Replace knives (Page 30).
Long lines or ridges that run along the length of the board.	<ol style="list-style-type: none"> 1. Nicked or chipped knives. 	<ol style="list-style-type: none"> 1. Shift one of the nicked knives sideways so the nicks don't line up; replace knives (Page 30).
Uneven cutter marks, wavy surface, or chatter marks across the face of the board.	<ol style="list-style-type: none"> 1. Feeding workpiece too fast. 2. Knives not adjusted at even heights in the cutterhead. 	<ol style="list-style-type: none"> 1. Slow down the feed rate. 2. Adjust the knives so they are set up evenly in the cutterhead (Page 30).
Board edge is concave or convex after jointing.	<ol style="list-style-type: none"> 1. Board not held with even pressure on infeed and outfeed table during cut. 2. Board started too uneven. 3. Board has excessive bow or twist along its length. 4. Insufficient number of passes. 	<ol style="list-style-type: none"> 1. Hold board with even pressure as it moves over the cutterhead. 2. Take partial cuts to remove the extreme high spots before doing a full pass. 3. Surface plane one face so there is a good surface to position against the fence. 4. It may take 3 to 5 passes to achieve a perfect edge, depending on the starting condition of the board and the depth of cut.
Uneven cut or breakout when rabbeting.	<ol style="list-style-type: none"> 1. Uneven feed rate. 2. Depth of cut too deep. 3. Knives not adjusted evenly with each other in the cutterhead. 4. Nicked or chipped knives. 	<ol style="list-style-type: none"> 1. Feed the board evenly and smoothly during the cut. 2. Raise the infeed table to take a smaller depth of cut. Never exceed $\frac{1}{16}$" per pass when rabbeting. 3. Adjust the knives so they are set up evenly in the cutterhead (Page 30). 4. Shift one of the nicked knives sideways so the nicks don't line up; replace knives (Page 30).

PARTS

Stand Breakdown

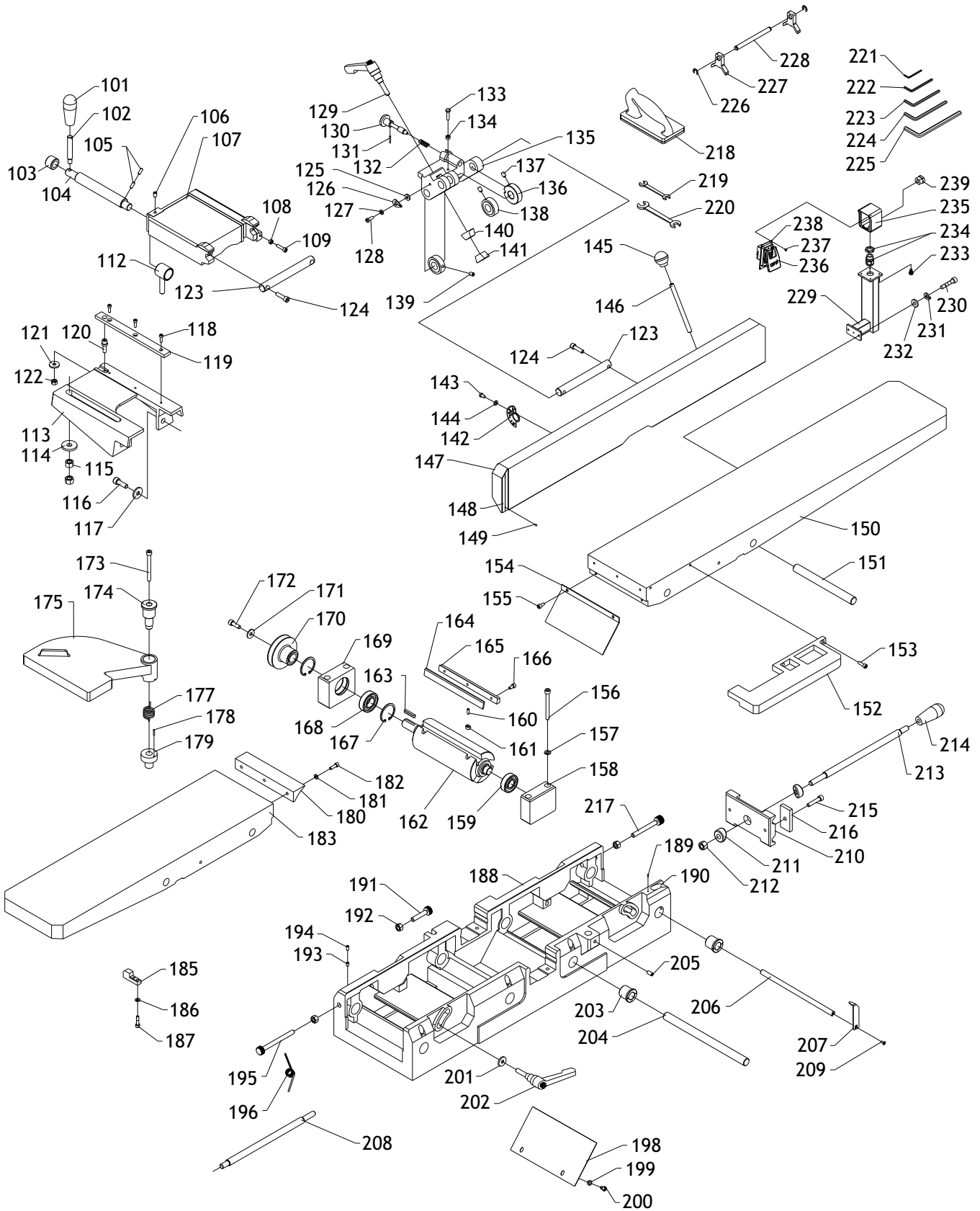


Stand Parts List

REF	PART #	DESCRIPTION
1	XPW02M	FLAT WASHER 5MM
2	X1755002	PANEL
3	XPFS02M	FLANGE SCREW M6-1 X 12
4	X1755004	BELT GUARD
5	X1755005	CABINET STAND
6	XPW03M	FLAT WASHER 6MM
7	XPNO1M	HEX NUT M6-1
8	XPS40M	PHLP HD SCR M5-.8 X 16
9	XPW02M	FLAT WASHER 5MM
10	X1755010	DUST PORT
11	XPNO3M	HEX NUT M8-1.25
12	XPW01M	FLAT WASHER 8MM
13	X1755013	SLEEVE
14	X1755014	WHEEL
15	XPB86M	HEX BOLT M8-1.25 X 65
16	X1755016	MOTOR BRACKET
17	X1755017	FLANGE NUT 5/16-18
18	XPCB05	CARRIAGE BOLT 5/16-18 X 3/4
19	XPCB11	CARRIAGE BOLT 5/16-18 X 1
20	XPW07	FLAT WASHER 5/16
21	XPFN02	FLANGE NUT 5/16-18
22	X1755022	FOOT
23	XPNO8	HEX NUT 3/8-16
24	XPVA40	V-BELT A-40 4L400
25	X1755025	MOTOR PULLEY
26	XPSS02M	SET SCREW M6-1 X 6
27	XPK12M	KEY 5 X 5 X 30
28	X1755028	MOTOR 1HP
28-1	X1755028-1	FAN COVER
28-2	X1755028-2	MOTOR FAN

REF	PART #	DESCRIPTION
28-3	X1755028-3	CAPACITOR COVER
28-4	X1755028-4	CAPACITOR 300MFD 125VAC
28-5	X1755028-5	CAPACITOR COVER
28-6	X1755028-6	CAPACITOR 40MFD 250VAC
28-7	X1755028-7	WIRING BOX
29	XPSB31M	CAP SCREW M8-1.25 X 25
30	XPLW04M	LOCK WASHER 8MM
31	XPS40M	PHLP HD SCR M5-.8 X 16
36	X1755036	STRAIN RELIEF
42	XPR16M	EXT RETAINING RING 9MM
43	X1755043	SPECIAL WASHER 13MM
44	X1755044	SHAFT
45	XPSB05M	CAP SCREW M8-1.25 X 50
46	XPW01M	FLAT WASHER 8MM
47	XPNO3M	HEX NUT M8-1.25
48	XPNO2M	HEX NUT M10-1.5
49	XPW04M	FLAT WASHER 10MM
50	XPB45M	HEX BOLT M8-1.25 X 100
51	XPW01M	FLAT WASHER 8MM
52	X1755052	SPECIAL BOLT
53	XPR21M	INT RETAINING RING 35MM
54	XP6202	BALL BEARING 6202ZZ
55	X1755055	TROLLEY WHEEL
56	X1755056	SLEEVE
57	X1755057	TROLLEY BRACKET
58	XPW04M	FLAT WASHER 10MM
59	XPNO2M	HEX NUT M10-1.5
60	XPB144M	HEX BOLT M10-1.5 X 55
61	X1755061	PEDAL BRACKET
62	X1755062	PEDAL

Jointer Breakdown



PARTS

Jointer Parts List

REF	PART #	DESCRIPTION
101	X1755101	LEVER KNOB
102	X1755102	STUD
103	X1755103	BUSHING
104	X1755104	SHAFT
105	XPSS11M	SET SCREW M6-1 X 16
106	XPSS14M	SET SCREW M8-1.25 X 12
107	X1755107	CARRIAGE
108	XPNO1M	HEX NUT M6-1
109	XPSB06M	CAP SCREW M6-1 X 25
112	X1755112	COLLAR
113	X1755113	SUPPORT
114	XPW06M	FLAT WASHER 12MM
115	XPNO9M	HEX NUT M12-1.75
116	XPSB72M	CAP SCREW M10-1.5 X 30
117	XPW04M	FLAT WASHER 10MM
118	XPSB24M	CAP SCREW M5-.8 X 16
119	X1755119	GIB
120	X1755120	ECCENTRIC SHAFT
121	XPW01M	FLAT WASHER 8MM
122	XPNO3M	HEX NUT M8-1.25
123	X1755123	SHAFT
124	XPSB13M	CAP SCREW M8-1.25 X 30
125	XPW03M	FLAT WASHER 6MM
126	X1755126	POINTER
127	XPW03M	FLAT WASHER 6MM
128	XPSB115M	BUTTON HD CAP SCR M6-1 X 16
129	X1755129	ADJUSTABLE HANDLE
130	X1755130	INDEX PIN ASSY
131	XPRP42M	ROLL PIN 3 X 20
132	X1755132	COMPRESSION SPRING
133	XPB10M	HEX BOLT M6-1 X 25
134	XPNO1M	HEX NUT M6-1
135	X1755135	SWIVEL
136	X1755136	INDEXED LOCK COLLAR
137	XPSS16M	SET SCREW M8-1.25 X 10
138	X1755138	LOCK COLLAR
139	XPSS14M	SET SCREW M8-1.25 X 12
140	X1755140	CLAMP
141	X1755141	CLAMP
142	X1755142	SCALE
143	XPS68M	PHLP HD SCR M6-1 X 10
144	XPW03M	FLAT WASHER 6MM
145	X1755145	BALL KNOB
146	X1755146	STUD
147	X1755147	FENCE
148	X1755148	SCALE
149	X1755149	RIVET

REF	PART #	DESCRIPTION
150	X1755150	TABLE RH
151	X1755151	TABLE SHAFT
152	X1755152	RABBETING EXTENSION TABLE
153	XPSB02M	CAP SCREW M6-1 X 20
154	X1755154	CHIP DEFLECTOR
155	XPSB33M	CAP SCREW M5-.8 X 12
156	XPSB148M	CAP SCREW M8-1.25 X 80
157	XPLW04M	LOCK WASHER 8MM
158	X1755158	BEARING BLOCK LEFT
159	XP6004	BALL BEARING 6004ZZ
160	XPSS34M	SET SCREW M5-.8 X 16
161	X1755161	KNIFE LIFTER SPRING
162	X1755162	CUTTERHEAD
163	XPK74M	KEY 6 X 6 X 35
164	X1755164	SET OF (3) KNIVES
165	X1755165	KNIFE GIB
166	X1755166	GIB BOLT
167	XPR24M	INT RETAINING RING 42MM
168	XP6004	BALL BEARING 6004ZZ
169	X1755169	BEARING BLOCK RIGHT
170	X1755170	CUTTERHEAD PULLEY
171	XPW01M	FLAT WASHER 8MM
172	XPSB31M	CAP SCREW M8-1.25 X 25
173	XPSB148M	CAP SCREW M8-1.25 X 80
174	X1755174	GUARD SPRING HOUSING
175	X1755175	CUTTERHEAD GUARD
177	X1755177	TORSION SPRING
178	XPRP02M	ROLL PIN 3 X 16
179	X1755179	SUPPORT
180	X1755180	TABLE LIP
181	XPW02M	FLAT WASHER 5MM
182	XPSB24M	CAP SCREW M5-.8 X 16
183	X1755183	TABLE LH
185	X1755185	BUMPER
186	XPLW03M	LOCK WASHER 6MM
187	XPSB07M	CAP SCREW M6-1 X 30
188	X1755188	BASE
189	X1755189	RIVET
190	X1755190	SCALE
191	X1755191	ADJUSTMENT SCREW
192	XPNO2M	HEX NUT M10-1.5
193	XPSS01M	SET SCREW M6-1 X 10
194	XPSS01M	SET SCREW M6-1 X 10
195	X1755195	ADJUSTMENT SCREW
196	X1755196	TORSION SPRING
198	X1755198	CHIPBREAKER
199	XPW03M	FLAT WASHER 6MM

Jointer Parts List

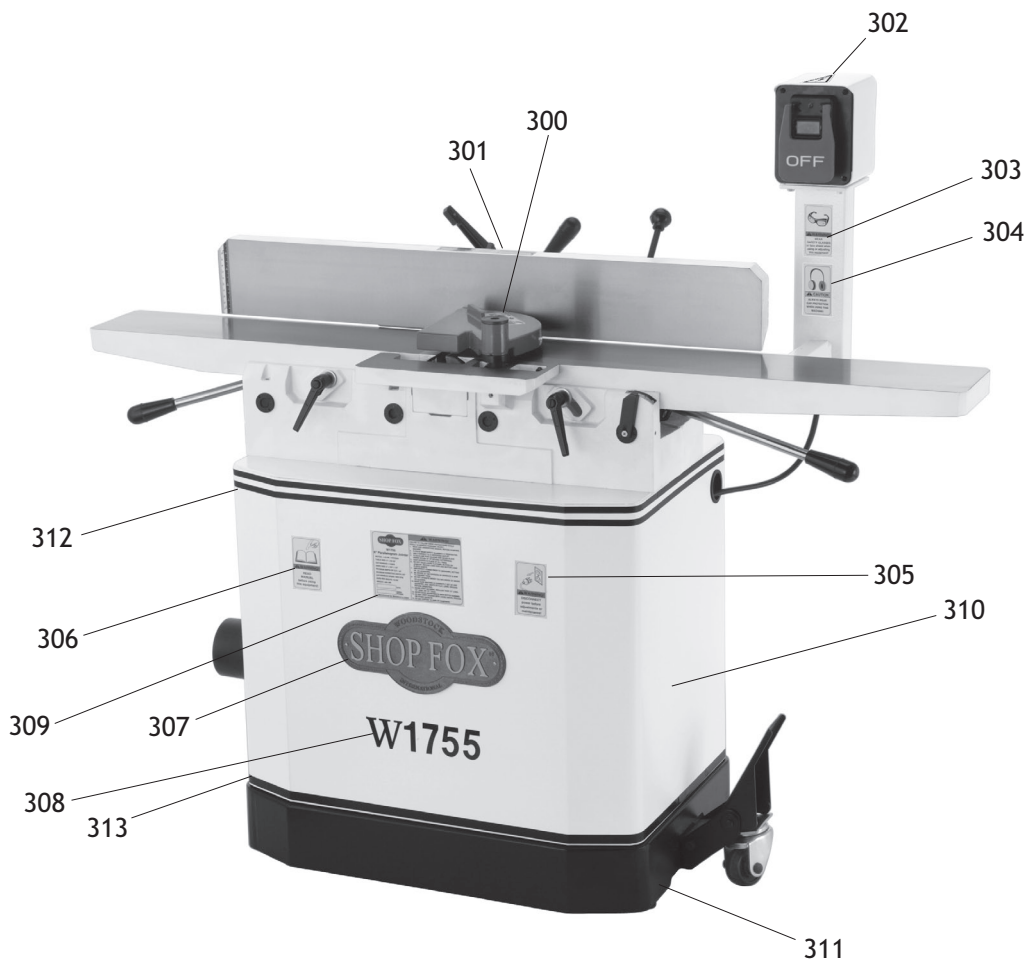
REF	PART #	DESCRIPTION
200	XPB02M	HEX BOLT M6-1 X 12
201	XPW01M	FLAT WASHER 8MM
202	X1755202	ADJUSTABLE HANDLE
203	X1755203	ECCENTRIC BUSHING
204	X1755204	TABLE SHAFT
205	XPSS14M	SET SCREW M8-1.25 X 12
206	X1755206	TABLE SHAFT
207	X1755207	POINTER
208	X1755208	LEVER
209	XPFH07M	FLAT HD SCR M5-.8 X 10
210	X1755210	PIVOT BRACKET
211	X1755211	ADJUSTING BLOCK
212	XPNO9M	HEX NUT M12-1.75
213	X1755213	LEVER
214	X1755214	HANDLE
215	XPSB12M	CAP SCREW M8-1.25 X 40
216	X1755216	CLAMP PLATE
217	X1755217	MEDIUM ADJUSTMENT SCR
218	X1755218	PUSH BLOCK
219	X1755219	OPEN END WRENCH 8/10MM

REF	PART #	DESCRIPTION
220	X1755220	OPEN END WRENCH 12/14MM
221	XPAW02.5M	HEX WRENCH 2.5MM
222	XPAW04M	HEX WRENCH 4MM
223	XPAW05M	HEX WRENCH 5MM
224	XPAW06M	HEX WRENCH 6MM
225	XPAW08M	HEX WRENCH 8MM
226	XPEC015M	E-CLIP 8MM
227	X1755227	KNIFE GAUGE BLOCK
228	X1755228	KNIFE GAUGE ROD 120MM
229	X1755229	SWITCH PEDESTAL
230	XPSB31M	CAP SCREW M8-1.25 X 25
231	XPLW04M	LOCK WASHER 8MM
232	XPW01M	FLAT WASHER 8MM
233	XPFB17M	FLANGE BOLT M6-1 X 16
234	X1755234	BALL STRAIN RELIEF 13.5MM
235	X1755235	SWITCH BOX
236	X1755236	SWITCH ASSEMBLY
237	XPHTEK4M	TAP SCREW M4 X 8
238	X1755238	SWITCH BRACKET
239	X1755239	STRAIN RELIEF

Labels/Cosmetic Parts

⚠️ WARNING

Safety labels warn about machine hazards and ways to prevent injury. The owner of this machine **MUST** maintain the original location and readability of the labels on the machine. If any label is removed or becomes unreadable, **REPLACE** that label before using the machine again.



REF	PART #	DESCRIPTION
300	X1741302	CUTTERHEAD GUARD LABEL
301	X1741301	FENCE/CUTTERHEAD LABEL
302	XLABEL-04	ELECTRICITY LABEL
303	XLABEL-01	SAFETY GLASSES LABEL
304	X1755304	EAR PROTECTION LABEL
305	XLABEL-02	DISCONNENCT POWER LABEL
306	XLABEL-08	READ MANUAL LABEL

REF	PART #	DESCRIPTION
307	X1741308	SHOP FOX NAMEPLATE
308	X1755308	MODEL # LABEL
309	X1755309	MACHINE ID LABEL
310	XPPAINT-1	"SF WHITE" TOUCH-UP PAINT
311	XPPAINT-7	"SF BLACK" TOUCH-UP PAINT
312	X1755312	DOUBLE BLACK STRIPE
313	X1755313	SINGLE BLACK STRIPE

Warranty

Woodstock International, Inc. warrants all **SHOP FOX**[®] machinery to be free of defects from workmanship and materials for a period of two years from the date of original purchase by the original owner. This warranty does not apply to defects due directly or indirectly to misuse, abuse, negligence or accidents, lack of maintenance, or reimbursement of third party expenses incurred.

Woodstock International, Inc. will repair or replace, at its expense and at its option, the **SHOP FOX**[®] machine or machine part which in normal use has proven to be defective, provided that the original owner returns the product prepaid to the **SHOP FOX**[®] factory service center or authorized repair facility designated by our Bellingham, WA office, with proof of their purchase of the product within two years, and provides Woodstock International, Inc. reasonable opportunity to verify the alleged defect through inspection. If it is determined there is no defect, or that the defect resulted from causes not within the scope of Woodstock International Inc.'s warranty, then the original owner must bear the cost of storing and returning the product.

This is Woodstock International, Inc.'s sole written warranty and any and all warranties that may be implied by law, including any merchantability or fitness, for any particular purpose, are hereby limited to the duration of this written warranty. We do not warrant that **SHOP FOX**[®] machinery complies with the provisions of any law or acts. In no event shall Woodstock International, Inc.'s liability under this warranty exceed the purchase price paid for the product, and any legal actions brought against Woodstock International, Inc. shall be tried in the State of Washington, County of Whatcom. We shall in no event be liable for death, injuries to persons or property or for incidental, contingent, special or consequential damages arising from the use of our products.

Every effort has been made to ensure that all **SHOP FOX**[®] machinery meets high quality and durability standards. We reserve the right to change specifications at any time because of our commitment to continuously improve the quality of our products.



Warranty Registration

Name _____
 Street _____
 City _____ State _____ Zip _____
 Phone # _____ Email _____ Invoice # _____
 Model # _____ Serial # _____ Dealer Name _____ Purchase Date _____

The following information is given on a voluntary basis. It will be used for marketing purposes to help us develop better products and services. **Of course, all information is strictly confidential.**

1. How did you learn about us?

<input type="checkbox"/> Advertisement	<input type="checkbox"/> Friend	<input type="checkbox"/> Local Store
<input type="checkbox"/> Mail Order Catalog	<input type="checkbox"/> Website	<input type="checkbox"/> Other:

2. How long have you been a woodworker/metalworker?

<input type="checkbox"/> 0-2 Years	<input type="checkbox"/> 2-8 Years	<input type="checkbox"/> 8-20 Years	<input type="checkbox"/> 20+ Years
------------------------------------	------------------------------------	-------------------------------------	------------------------------------

3. How many of your machines or tools are Shop Fox®?

<input type="checkbox"/> 0-2	<input type="checkbox"/> 3-5	<input type="checkbox"/> 6-9	<input type="checkbox"/> 10+
------------------------------	------------------------------	------------------------------	------------------------------

4. Do you think your machine represents a good value? Yes No

5. Would you recommend Shop Fox® products to a friend? Yes No

6. What is your age group?

<input type="checkbox"/> 20-29	<input type="checkbox"/> 30-39	<input type="checkbox"/> 40-49
<input type="checkbox"/> 50-59	<input type="checkbox"/> 60-69	<input type="checkbox"/> 70+

7. What is your annual household income?

<input type="checkbox"/> \$20,000-\$29,000	<input type="checkbox"/> \$30,000-\$39,000	<input type="checkbox"/> \$40,000-\$49,000
<input type="checkbox"/> \$50,000-\$59,000	<input type="checkbox"/> \$60,000-\$69,000	<input type="checkbox"/> \$70,000+

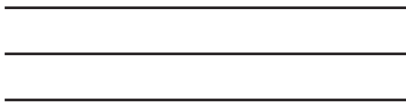
8. Which of the following magazines do you subscribe to?

<input type="checkbox"/> Cabinet Maker	<input type="checkbox"/> Popular Mechanics	<input type="checkbox"/> Today's Homeowner
<input type="checkbox"/> Family Handyman	<input type="checkbox"/> Popular Science	<input type="checkbox"/> Wood
<input type="checkbox"/> Hand Loader	<input type="checkbox"/> Popular Woodworking	<input type="checkbox"/> Wooden Boat
<input type="checkbox"/> Handy	<input type="checkbox"/> Practical Homeowner	<input type="checkbox"/> Woodshop News
<input type="checkbox"/> Home Shop Machinist	<input type="checkbox"/> Precision Shooter	<input type="checkbox"/> Woodsmith
<input type="checkbox"/> Journal of Light Cont.	<input type="checkbox"/> Projects in Metal	<input type="checkbox"/> Woodwork
<input type="checkbox"/> Live Steam	<input type="checkbox"/> RC Modeler	<input type="checkbox"/> Woodworker West
<input type="checkbox"/> Model Airplane News	<input type="checkbox"/> Rifle	<input type="checkbox"/> Woodworker's Journal
<input type="checkbox"/> Modeltec	<input type="checkbox"/> Shop Notes	<input type="checkbox"/> Other:
<input type="checkbox"/> Old House Journal	<input type="checkbox"/> Shotgun News	

9. Comments: _____

CUT ALONG DOTTED LINE

FOLD ALONG DOTTED LINE



Place
Stamp
Here



WOODSTOCK INTERNATIONAL INC.
P.O. BOX 2309
BELLINGHAM, WA 98227-2309



FOLD ALONG DOTTED LINE

TAPE ALONG EDGES--PLEASE DO NOT STAPLE

Free Manuals Download Website

<http://myh66.com>

<http://usermanuals.us>

<http://www.somanuals.com>

<http://www.4manuals.cc>

<http://www.manual-lib.com>

<http://www.404manual.com>

<http://www.luxmanual.com>

<http://aubethermostatmanual.com>

Golf course search by state

<http://golfingnear.com>

Email search by domain

<http://emailbydomain.com>

Auto manuals search

<http://auto.somanuals.com>

TV manuals search

<http://tv.somanuals.com>