



# MODEL W1784 FLOORING STAPLER



## OWNER'S MANUAL

(FOR STAPLERS MANUFACTURED SINCE 2/07)

Phone: (360) 734-3482 • Online Technical Support: [tech-support@shopfox.biz](mailto:tech-support@shopfox.biz)

COPYRIGHT © JUNE, 2007 BY WOODSTOCK INTERNATIONAL, INC., REVISED OCTOBER, 2009 (TS)  
WARNING: NO PORTION OF THIS MANUAL MAY BE REPRODUCED IN ANY SHAPE OR FORM WITHOUT  
THE WRITTEN APPROVAL OF WOODSTOCK INTERNATIONAL, INC.

#9628TS Printed in China

## **WARNING!**

This manual provides critical safety instructions on the proper setup, operation, maintenance and service of this machine/equipment.

Failure to read, understand and follow the instructions given in this manual may result in serious personal injury, including amputation, electrocution or death.

The owner of this machine/equipment is solely responsible for its safe use. This responsibility includes but is not limited to proper installation in a safe environment, personnel training and usage authorization, proper inspection and maintenance, manual availability and comprehension, application of safety devices, blade/cutter integrity, and the usage of personal protective equipment.

The manufacturer will not be held liable for injury or property damage from negligence, improper training, machine modifications or misuse.

## **WARNING!**

Some dust created by power sanding, sawing, grinding, drilling, and other construction activities contains chemicals known to the State of California to cause cancer, birth defects or other reproductive harm. Some examples of these chemicals are:

- Lead from lead-based paints.
- Crystalline silica from bricks, cement and other masonry products.
- Arsenic and chromium from chemically-treated lumber.

Your risk from these exposures varies, depending on how often you do this type of work. To reduce your exposure to these chemicals: Work in a well ventilated area, and work with approved safety equipment, such as those dust masks that are specially designed to filter out microscopic particles.

# SAFETY

## **WARNING**

### For Your Own Safety Read Instruction Manual Before Operating This Equipment

The purpose of safety symbols is to attract your attention to possible hazardous conditions. This manual uses a series of symbols and signal words which are intended to convey the level of importance of the safety messages. The progression of symbols is described below. Remember that safety messages by themselves do not eliminate danger and are not a substitute for proper accident prevention measures.

#### **DANGER**

Indicates an imminently hazardous situation which, if not avoided, **WILL** result in death or serious injury.

#### **WARNING**

Indicates a potentially hazardous situation which, if not avoided, **COULD** result in death or serious injury.

#### **CAUTION**

Indicates a potentially hazardous situation which, if not avoided, **MAY** result in minor or moderate injury. It may also be used to alert against unsafe practices.

#### **NOTICE**

This symbol is used to alert the user to useful information about proper operation of the equipment.

## **WARNING**

### Safety Instructions for Pneumatic Tools

1. **KEEP ALL SAFETY DEVICES IN PLACE** and in working order.
2. **REMOVE ADJUSTING KEYS AND WRENCHES.** Form habit of checking to see that keys and adjusting wrenches are removed from tool before operation.
3. **KEEP WORK AREA CLEAN.** Cluttered areas and benches invite accidents.
4. **DO NOT USE IN DANGEROUS ENVIRONMENT.** Do not use pneumatic tools in damp or wet locations, or where any flammable or noxious fumes may exist. Keep work area well lighted.
5. **KEEP CHILDREN AND VISITORS AWAY.** All children and visitors should be kept at a safe distance from work area.
6. **MAKE WORKSHOP CHILD PROOF** by locking your shop and shutting off air valves.
7. **DO NOT FORCE TOOL.** It will do the job better and safer at the rate for which it was designed.
8. **USE THE RIGHT TOOL.** Do not force tool or attachment to do a job for which it was not designed.
9. **DO NOT USE UNDER THE INFLUENCE OF DRUGS OR ALCOHOL.**

# WARNING

## Safety Instructions for Pneumatic Tools

10. **USE PROPER AIR HOSE** for the tool. Make sure your air hose is in good condition and is long enough to reach your work without stretching.
11. **WEAR PROPER APPAREL.** Do not wear loose clothing, gloves, neckties, rings, bracelets, or other jewelry which may get caught in moving parts. Non-slip footwear is recommended. Wear a protective hair covering to contain long hair.
12. **ALWAYS USE SAFETY GLASSES.** Also use a face or dust mask if cutting operation is dusty. Everyday eyeglasses only have impact resistant lenses, they are NOT safety glasses.
13. **WEAR APPROVED HEARING PROTECTION.** Air escaping from pneumatic tools can exceed safe exposure limits and may cause hearing damage with prolonged exposure.
14. **SECURE WORK.** Use clamps or a vise to hold work when practical. It is safer than using your hand and frees both hands to operate tool.
15. **MAINTAIN TOOLS WITH CARE.** Keep tools lubricated and clean for best and safest performance. Follow instructions for lubricating and changing accessories.
16. **REDUCE THE RISK OF UNINTENTIONAL FIRING.** Do not carry tool with hand on trigger and always disconnect from air when not in use.
17. **DISCONNECT TOOLS** before servicing, changing accessories, or moving to another location.
18. **DO NOT OVERREACH.** Keep proper footing/balance at all times.
19. **USE THE RECOMMENDED ACCESSORIES.** Consult owner's manual for recommended accessories. The use of improper accessories may cause risk of injury.
20. **CHECK FOR DAMAGED PARTS BEFORE USING.** Check for binding and alignment of parts, broken parts, part mounting, loose bolts, and any other conditions that may affect machine operation. Repair or replace damaged parts.
21. **NEVER LEAVE UNATTENDED TOOL CONNECTED TO AIR.** Disconnect the air hose and do not leave tool until it is relieved of any built up pressure.
22. **NEVER ALLOW UNTRAINED USERS TO USE THIS TOOL WHILE UNSUPERVISED.**
23. **IF YOU ARE UNSURE OF THE INTENDED OPERATION, STOP USING TOOL.** Seek formal training or research books or magazines that specialize in pneumatic tools.
24. **BE AWARE OF HOSE LOCATION WHEN USING PNEUMATIC TOOLS.** Hoses can easily become a tripping hazard when laid across the floor or spread out in a disorganized fashion.

# **WARNING**

## **Additional Safety for Staplers**

- 1. HAND INJURIES:** Do not place your hands near the staple point of entry. A staple can deflect and tear through the surface of the workpiece, puncturing your hand or fingers.
- 2. COMBUSTIBLE GASES:** Never connect the stapler to pressurized oxygen or other combustible gases as a power source. Only use filtered, lubricated, and regulated compressed air.
- 3. SAFE HANDLING:** Never point the stapler at others! Do not keep the trigger pulled when loading fasteners, carrying, or holding tool. Carry the stapler only by the handle, never by any other part. Do not carry the stapler by the air hose. Disconnect the stapler from the air hose when going up and down ladders.
- 4. CLEANING:** Never use gasoline or other flammable liquids to clean the stapler; vapors in the stapler will ignite by a spark and cause it to explode.
- 5. HOSE USAGE:** Make sure your air hose is designed for the tool in use, is in good condition, and is long enough to reach your work without stretching. However, an overly long air hose in the work area may be a tripping hazard.
- 6. OPERATING QUESTIONS:** If you are not sure about the intended operation, stop using the stapler. Seek formal training.
- 7. MAINTENANCE:** Always disconnect air from the stapler when servicing or installing staples. During maintenance, a stapler connected to air may fire accidentally, causing serious personal injury.
- 8. COMPRESSED AIR RATING:** Do not connect the stapler to compressed air that exceeds 120 PSI.
- 9. CHECK VALVE:** Do not use a check valve or any other fitting that allows air to remain in the tool.
- 10. MODIFICATIONS: DO NOT** modify this tool or bypass safety mechanisms.

# **WARNING**

Never point this stapler at yourself or another person! Always pay attention to the direction this stapler is pointed. Use this tool with respect and caution to lessen the possibility of operator or bystander injury. Ignoring this warning may result in serious personal injury.

# **CAUTION**

Stapler accidents routinely happen while moving the gun to another location, such as up ladders, to another room, or even another job site. Always disconnect the gun immediately after use and never transport the gun while connected to the air—even if the air compressor is disconnected from its power source!

# INTRODUCTION

## Woodstock Technical Support

The Model W1784 Flooring Stapler has been specially designed to provide many years of trouble-free service. Close attention to detail, ruggedly built parts and a rigid quality control program assure safe and reliable operation.

Woodstock International, Inc. is committed to customer satisfaction. Our intent with this manual is to include the basic information for safety, setup, operation, maintenance, and service of this product.

We stand behind our tools! In the event that questions arise about your tool, please contact Woodstock International Technical Support at (360) 734-3482 or send e-mail to: [tech-support@shopfox.biz](mailto:tech-support@shopfox.biz). Our knowledgeable staff will help you troubleshoot problems and process warranty claims.

If you need the latest edition of this manual, you can download it from <http://www.shopfox.biz>.

If you have comments about this manual, please contact us at:

Woodstock International, Inc.  
Attn: Technical Documentation  
Manager  
P.O. Box 2309  
Bellingham, WA 98227  
Email: [manuals@woodstockint.com](mailto:manuals@woodstockint.com)

## Tool Data

Staple Gauge .....	15 1/2"
Staple Crown .....	1/2"
Staple Length.....	1"-2"
Magazine Capacity.....	60 Staples
Air Inlet.....	1/4" NPT
Stapler Weight.....	11 1/4 lbs.
Hammer Weight .....	2 1/2 lbs.
Operating Pressure .....	70-100 PSI

### WARNING



Read the manual before operation. Become familiar with this stapler, its safety instructions, and its operation before beginning any work. Serious personal injury may result if safety or operational information is not understood or followed.

### CAUTION

No list of safety guidelines can be complete. Every shop environment is different. Always consider safety first, as it applies to your individual working conditions. Use this and other tools with caution and respect. Failure to do so could result in serious personal injury, damage to equipment or poor work results.

## Compressed Air System

The Model W1784 is designed to be operated at 70-100 PSI using clean, dry, regulated, compressed air. **Do not exceed the 120 PSI maximum pressure for your model.**

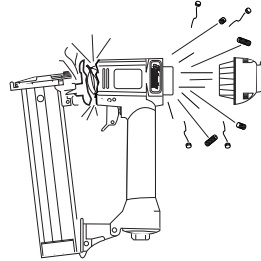
Before using your stapler, regulate the air pressure to find the optimum setting within the specified operating range. Start by testing the stapler at a low setting, then increase the air pressure as needed for satisfactory results.

An in-line filter/lubricator/regulator unit can be installed as depicted in **Figure 1**.

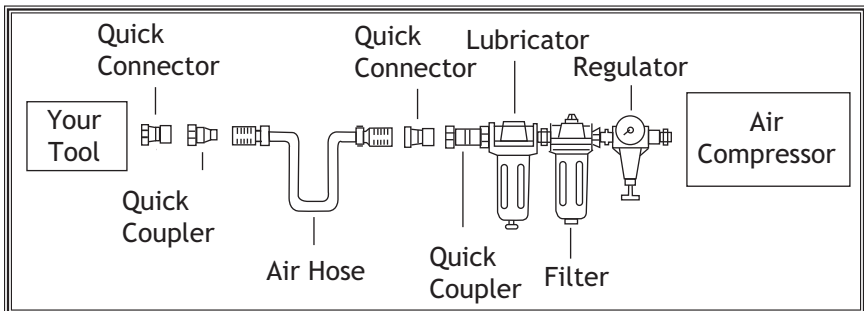
This filter/lubricator/regulator unit will protect your tool from damaging water build-up, allow you to adjust and maintain regulated air pressure, and save you the inconvenience of having to manually lubricate your tool every time you use it.

If you plan on installing a filter/lubricator/regulator unit in your compressed air system, always follow the connection instructions that come with the unit.

### ⚠ CAUTION



**Exceeding the maximum permissible operating pressure may damage the stapler and cause it to malfunction. To protect yourself from personal injury, DO NOT allow the air pressure to exceed the recommended pressure for this stapler!**



**Figure 1.** Typical filter/lubricator/regulator installation order.

# SETUP

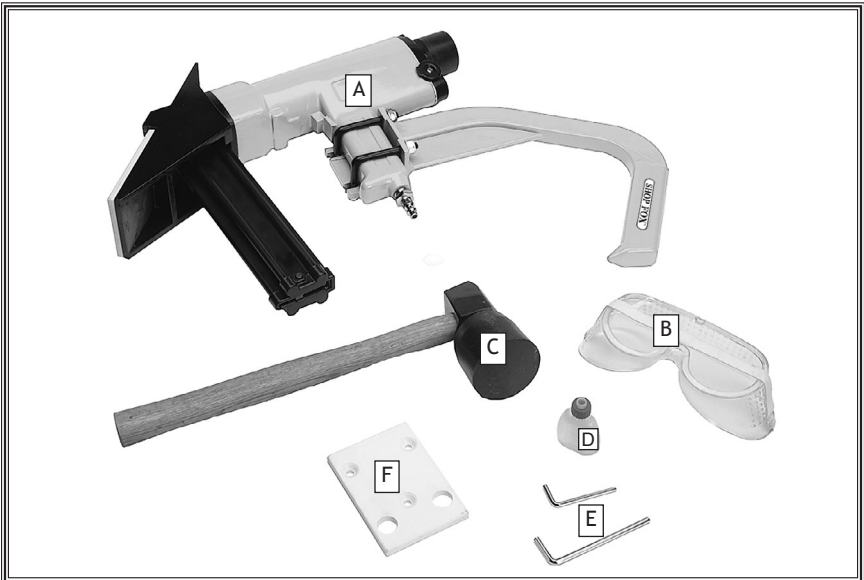
## Unpacking

This tool has been carefully packaged for safe transportation. If you notice the tool has been damaged during shipping, please contact your authorized Shop Fox dealer immediately.

## Inventory

The following is a description of the main components shipped with the Model W1784. Lay the components out to inventory them.

**Note:** *If you can't find an item on this list, check the mounting location on the tool or examine the packaging materials carefully. Occasionally we pre-install certain components for safer shipping.*



Model W1784 Inventory	Qty
A. Flooring Stapler w/1/2" Base Plate ...	1
B. Safety Goggles.....	1
C. Hammer .....	1
D. Pneumatic Tool Oil.....	1
E. Hex Wrenches 4mm, 5mm.....	1 Ea
F. 3/4" Base Plate .....	1



# OPERATIONS

## Loading

When replacing staples in your Model W1784, follow these guidelines:

Staple Gauge .....	15.5
Staple Length.....	1"-2"
Capacity: .....	60

To load your stapler, do these steps:

1. DISCONNECT STAPLER FROM THE AIR SUPPLY!
2. Slide the magazine loading handle back until it locks.
3. Load a staple stick into the magazine T-slot, as shown in **Figure 2**.

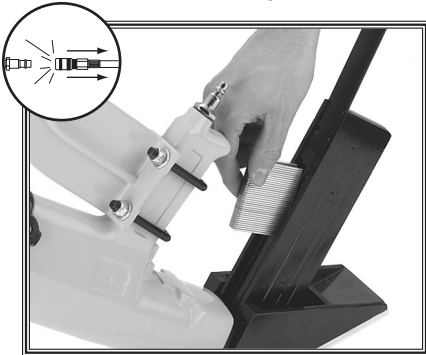


Figure 2. Loading staples into stapler.

4. Pull the magazine loading handle back to unlock it, and slide it forward until the pusher engages the staple stick.

**Note:** Always control the magazine loading handle when sliding the pusher forward. Allowing the pusher to fly forward against the stapler stick will significantly increase wear of the stapler.

## Operating

If you have not read the safety instructions in this manual, do not operate the stapler.

Before you operate your stapler, place five to six drops of the included oil into the quick connect fitting where the stapler connects to the air supply.

The Model W1784 comes with two base plates:

- The thinner base plate is for use with 3/4" flooring.
- The thicker base plate is for use with 1/2" flooring.

To operate your stapler, do these steps:

1. Install the correct base plate for your size of flooring material.
2. Place the flooring stapler on the floor with the staple discharge facing down, then connect the air supply.

### WARNING

Always point the stapler at the ground when connecting to the air supply. DO NOT aim it in the direction of another person or yourself. Failure to heed this warning could result in serious personal injury.

3. Position a flooring strip and tap it into place with the metal side of the included hammer.

## NOTICE

DO NOT use the stapler to position the flooring strip. Doing so will damage the stapler and possibly the flooring strip.

*Note: If you are using pre-finished flooring material, test the stapler on a sample strip. If the stapler base plate is damaging or marring the flooring surface, replace it with a new one.*

- Place the stapler on the flooring strip, as shown in **Figure 3**.



**Figure 3.** Positioning and operating stapler on flooring strip.

## CAUTION

DO NOT place your hands near the staple point of entry. A staple can deflect and tear through the surface of the workpiece, puncturing your hand or fingers.

- Make sure the cleat on the stapler base plate is lined up with the edge of the groove on the flooring strip.
- Using the *rubber* end of the included hammer, hit the whack cap of the stapler *ONCE* with a light to medium force to shoot a staple into the wood.

## WARNING

Never hit the whack cap of the stapler multiple times to drive the staple into the wood. If necessary, use a hammer to drive the staple in. Failure to heed this warning could cause a staple jam or a ricochet, and serious personal injury.

- Check the staple for satisfactory penetration.
  - If the staple depth is satisfactory, proceed with your project.
  - If the staple depth is too shallow, slightly increase the air pressure.
  - If the staple depth is too deep, slightly decrease the air pressure.

*Note: Staple penetration is not always consistent due to variations in the flooring material. If necessary, use a hammer to finish seating the staple.*

## Clearing Jammed Staples

A jammed staple must be cleared before using the stapler again.

To clear a jammed staple from the discharge area, do these steps:

- DISCONNECT STAPLER FROM THE AIR SUPPLY!
- Pull the magazine loader handle all the way back and remove the staple stick.

3. The jammed staple should be visible in the discharge area.

- If the jammed staple can be removed with needle nose pliers, do so and continue to Step 7.
- If you cannot remove the jammed staple, then continue with Step 4.

4. Use the 4mm hex wrench and remove the four cap screws and lock washers that secure the magazine to the stapler (see Figure 4).

**Note:** *It may be necessary to remove the base plate to pull the magazine out.*

7. Throw the damaged staple away and insert a new staple stick that only contains clean, undamaged staples. DO NOT use dirty or damaged staples!

## Replacing Pistons/O-Rings

Under heavy use, the piston or O-rings may wear out. Replacement is quick and easy. Contact your authorized Shop Fox dealer to obtain the Piston Repair Kit (Part Number X1784068) or Complete O-Ring Kit (Part Number X1784071).

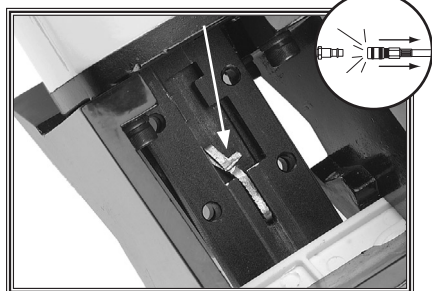
To replace the piston and O-rings, do these steps:

1. DISCONNECT STAPLER FROM THE AIR SUPPLY!
2. Remove all the staples from the magazine.
3. Use the 4mm hex wrench and remove the four cap screws and lock washers that secure the magazine to the stapler (see Figure 4).

**Note:** *It may be necessary to remove the base plate to pull the magazine out.*

**Figure 4.** Location of cap screws securing the magazine to the stapler.

5. Remove the jammed staple from inside the discharge area with a pair of need nose pliers (see Figure 5).



**Figure 5.** Jammed staple in discharge area.

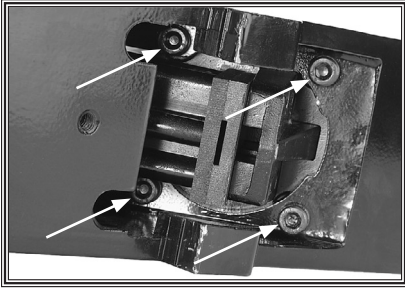
6. Re-install the magazine.

**⚠ WARNING**

**!**

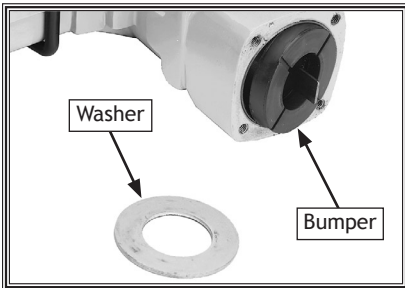
Always disconnect stapler from air whenever servicing! During maintenance, a stapler connected to air may fire accidentally, causing serious personal injury!

- Use a 5mm hex wrench to remove the four cap screws that secure the base to the stapler body (see **Figure 6**).



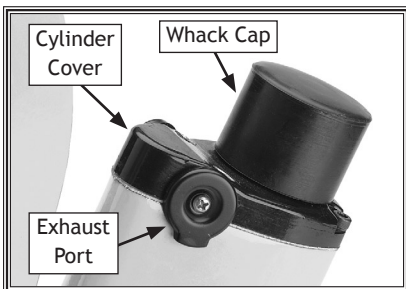
**Figure 6.** Cap screws that secure the base to the stapler body.

- Carefully slide the base from the stapler body, and remove the large base washer and rubber bumper (see **Figure 7**).



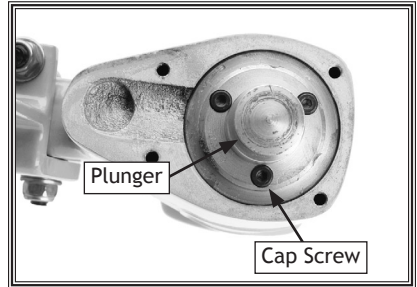
**Figure 7.** Washer and rubber bumper.

- Use a flat head screwdriver to pry off the whack cap (see **Figure 8**).



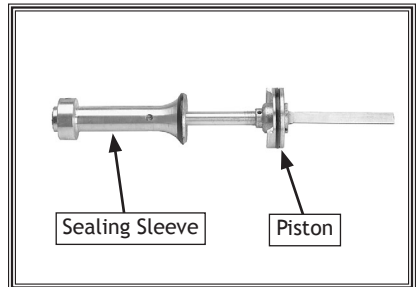
**Figure 8.** Whack cap and cylinder cover.

- Remove the four cap screws and lock washers from the cylinder cover, and remove it from the stapler body.
- Remove the three cap screws from the top of the plunger (see **Figure 9**).



**Figure 9.** Plunger and cap screws.

- From the bottom of the stapler, pull out the piston assembly.
- Push the piston into the sealing sleeve and remove the sealing cap from the top of the piston.
- Pull the piston from the sleeve (see **Figure 10**).



**Figure 10.** Piston assembly.

- Apply a thin film of tool oil to the new O-rings before installing them to seat them properly on the parts.
- Reverse the steps above to reassembly the stapler with the new piston.

# CLEANING & LUBRICATION

## Cleaning

Use a good solvent to clean the nose assembly of the stapler. Always be sure that the stapler is dry before using it again.

Do not allow dust, chips, sand, etc. into the air connectors or into the body of the stapler; this may result in leaks and damage to the stapler and the air couplings.

**WARNING**



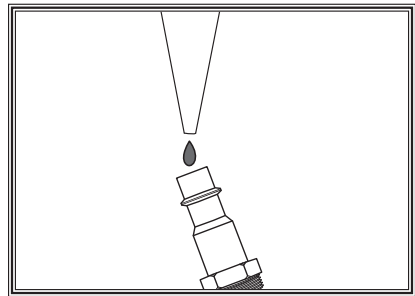
Never clean this tool with gasoline or other flammable liquids. Vapors in the tool may ignite, causing the tool to explode. Ignoring this warning may lead to serious personal injury or even death!

## Lubricating

Standard pneumatic tool oil has been included with your new Shop Fox stapler to help maintain its useful life. Place two to six drops of oil in the stapler air inlet (as shown in **Figure 11**) before every use, or after 2 hours of continuous use.

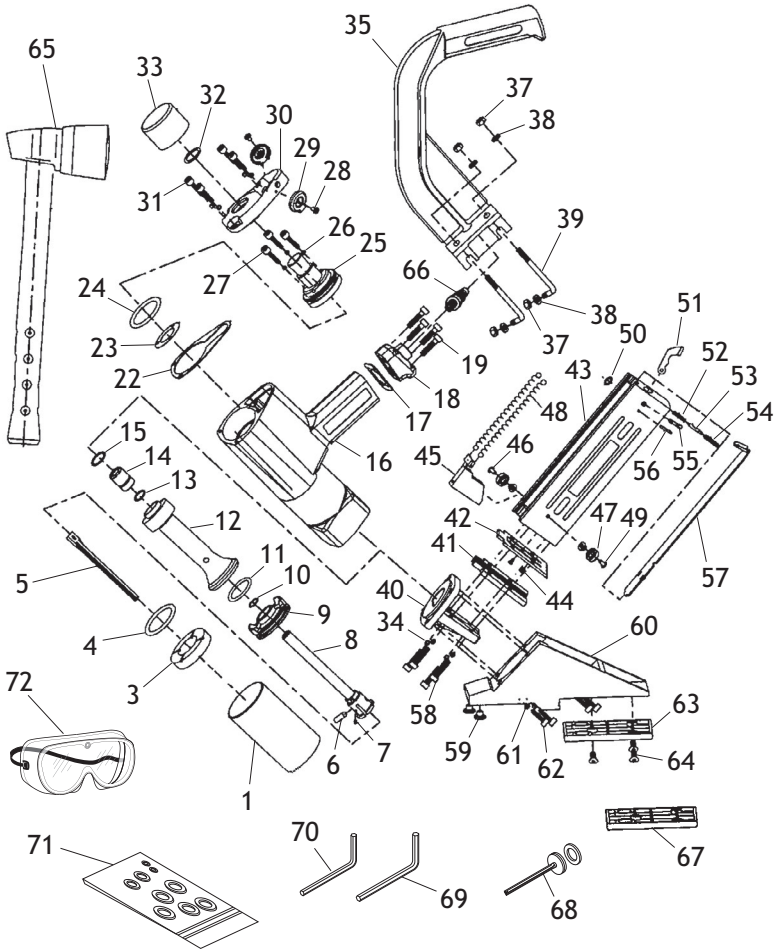
Wipe off any excess oil near the stapler exhaust to avoid dust build-up. When the oil that was included with the stapler has been completely used, replace with a quality pneumatic tool oil.

Another option to manual oiling would be to install a lubricator in your air compressor line. If your air compressor line already has a lubricator, then regular lubrication of your stapler will not be necessary. Just make sure there is always oil in the lubricator.



**Figure 11.** Lubricating stapler via air inlet.

# PARTS BREAKDOWN



# PARTS LIST

REF	PART #	DESCRIPTION
1	X1784001	CYLINDER
3	X1784003	BUMPER
4	XPORP050	O-RING 49.7 X 3.5 P50
5	X1784005	DRIVER
6	XPRP07M	ROLL PIN 6 X 20
7	XPSS31M	SET SCREW M5-.8 X 8
8	X1784008	PISTON
9	X1784009	PISTON HEAD
10	XPORP012-5	O-RING 12.3 X 2.4 P12.5
11	X1783011	O-RING 32 X 4.5
12	X1784012	SEALING SLEEVE
13	X1783013	O-RING 12.8 X 1.8
14	X1784014	SEALING CAP
15	X1783015	O-RING 15.6 X 1.8
16	X1784016	GUN BODY
17	X1784017	GASKET
18	X1784018	END CAP
19	XPCAP39M	CAP SCREW M4-.7 X 20
22	X1784022	CYLINDER GASKET
23	X1784023	SLEEVE GASKET
24	XPORP046	O-RING 45.7 X 3.5 P46
25	X1784025	PLUNGER
26	XPLW02M	LOCK WASHER 4MM
27	XPCAP16M	CAP SCREW M4-.7 X 16
28	XPS56M	PHLP HD SCR M4-.7 X 16
29	X1784029	EXHAUST PORT
30	X1784030	CYLINDER COVER
31	XPCAP09M	CAP SCREW M5-.8 X 17
32	XPORP025	O-RING 24.7 X 3.5 P25
33	X1783033	WHACK CAP
34	XPW02M	FLAT WASHER 5MM
35	X1784035	BRACE
37	XPLN04M	LOCK NUT M8-1.25
38	XPW01M	FLAT WASHER 8MM

REF	PART #	DESCRIPTION
39	X1784039	L-BOLT
40	X1784040	CYLINDER HEAD SEAT
41	X1784041	STAPLE HEAD COVER
42	X1784042	STAPLE HEAD
43	X1784043	MAGAZINE
44	X1784044	STAPLE HEAD SCREW
45	X1784045	LOADER
46	X1784046	RIVET 4 X 8
47	X1784047	IDLER WHEEL
48	X1784048	LOADING SPRING
49	X1784049	KEEPER
50	XPORS003	O-RING 2.5 X 1.5 S3
51	X1784051	SPRING LEVER
52	X1784052	COMPRESSION SPRING
53	X1784053	LEVER PIN
54	X1784054	STUD M8-1.25 X 10
55	X1784055	MAGAZINE PIN
56	XPRP05M	ROLL PIN 5 X 30
57	X1784057	LOADING HANDLE
58	XPCAP95M	CAP SCREW M5-.8 X 30
59	X1784059	RUBBER BUTTON
60	X1784060	BASE
61	XPLW03M	LOCK WASHER 6MM
62	XPCAP29M	CAP SCREW M6-1 X 40
63	X1784063	BASE PLATE 1/2 IN FLOORING
64	XPFH02M	FLAT HD SCR M6-1 X 12
65	X1783063	HAMMER
66	X1784066	AIR PLUG 1/4 NPT
67	X1784067	BASE PLATE 3/4 IN FLOORING
68	X1784068	PISTON REPAIR KIT
69	XPAW04M	HEX WRENCH 4MM
70	XPAW03M	HEX WRENCH 3MM
71	X1784071	COMPLETE O-RING KIT
72	X1784072	SAFETY GOGGLES

# Troubleshooting

Symptom	Possible Cause	Possible Solution
Air leaking at whack cap area.	1. O-rings in plunger/cylinder housing are damaged.	1. O-rings must be replaced & operation checked.
Air leaking between housing and hose	1. Loose screws in housing. 2. Damaged O-ring. 3. Loose air fitting.	1. Tighten screws. 2. Replace O-ring 3. Tighten air fitting & use teflon tape.
Air leaking between housing and cap.	1. Damaged seal.	1. Replace damaged seals.
Tool skips staples while discharging.	1. Excessive air pressure. 2. Air leaks. 3. Dirt in nose. 4. Dirt or damage prevents staples from moving freely. 5. Inadequate air flow to tool.  6. Worn piston O-ring or lack of lubrication. 7. Damaged plunger/cylinder O-rings. 8. Worn bumper. 9. Cap seal leaking.	1. Reduce air pressure to tool. 2. Tighten screws and fittings. 3. Clean nose. 4. Clean magazine and inspect/repair damage. 5. Check fittings, hose, compressor, and air pressure. 6. Replace O-ring and lubricate. 7. Replace plunger/cylinder O-rings. 8. Replace bumper. 9. Replace cap seal.
Tool runs slowly or has a loss of power.	1. Undersized air hose. 2. Stapler is not lubricated. 3. Broken spring in cap assembly. 4. Exhaust ports on cylinder cap are blocked.	1. Use a larger hose. 2. Lubricate stapler. 3. Replace spring. 4. Clean or replace damaged internal parts.
Fasteners frequently jam the stapler.	1. Staples are the wrong size. 2. Staples are bent or dirty.  3. Magazine or nose screws are loose. 4. Driver or driver guide are worn or damaged. 5. Staples are wrong angle.	1. Use correct staples. 2. Use undamaged, clean staples. 3. Tighten magazine.  4. Replace worn or damaged parts. 5. Use correct angle staples.
Stapler does not fire.	1. Stapler is not lubricated.  2. Staple is jammed in magazine or discharge area. 3. Piston shaft is damaged. 4. Air pressure too low.	1. Follow lubricating instructions. 2. Clear stapler magazine or discharge area. 3. Replace piston shaft. 4. Check/increase air pressure.
Air blows out of exhaust cap; stapler will not fire.	1. O-ring slipped out of groove or damaged inside stapler.	1. Reinstall/replace suspect O-ring; turn down air pressure.



# Warranty Registration

Name \_\_\_\_\_

Street \_\_\_\_\_

City \_\_\_\_\_ State \_\_\_\_\_ Zip \_\_\_\_\_

Phone # \_\_\_\_\_ Email \_\_\_\_\_ Invoice # \_\_\_\_\_

Model # \_\_\_\_\_ Serial # \_\_\_\_\_ Dealer Name \_\_\_\_\_ Purchase Date \_\_\_\_\_

*The following information is given on a voluntary basis. It will be used for marketing purposes to help us develop better products and services. Of course, all information is strictly confidential.*

1. How did you learn about us?

Advertisement \_\_\_\_\_ Friend \_\_\_\_\_ Local Store \_\_\_\_\_  
Mail Order Catalog \_\_\_\_\_ Website \_\_\_\_\_ Other: \_\_\_\_\_

2. How long have you been a woodworker/metalworker?

0-2 Years \_\_\_\_\_ 2-8 Years \_\_\_\_\_ 8-20 Years \_\_\_\_\_ 20+ Years \_\_\_\_\_

3. How many of your machines or tools are Shop Fox?

0-2 \_\_\_\_\_ 3-5 \_\_\_\_\_ 6-9 \_\_\_\_\_ 10+ \_\_\_\_\_

4. Do you think your machine represents a good value? \_\_\_\_\_ Yes \_\_\_\_\_ No

5. Would you recommend Shop Fox products to a friend? \_\_\_\_\_ Yes \_\_\_\_\_ No

6. What is your age group?

20-29 \_\_\_\_\_ 30-39 \_\_\_\_\_ 40-49 \_\_\_\_\_  
50-59 \_\_\_\_\_ 60-69 \_\_\_\_\_ 70+ \_\_\_\_\_

7. What is your annual household income?

\$20,000-\$29,000 \_\_\_\_\_ \$30,000-\$39,000 \_\_\_\_\_ \$40,000-\$49,000 \_\_\_\_\_  
\$50,000-\$59,000 \_\_\_\_\_ \$60,000-\$69,000 \_\_\_\_\_ \$70,000+ \_\_\_\_\_

8. Which of the following magazines do you subscribe to?

<input type="checkbox"/> Cabinet Maker	<input type="checkbox"/> Popular Mechanics	<input type="checkbox"/> Today's Homeowner
<input type="checkbox"/> Family Handyman	<input type="checkbox"/> Popular Science	<input type="checkbox"/> Wood
<input type="checkbox"/> Hand Loader	<input type="checkbox"/> Popular Woodworking	<input type="checkbox"/> Wooden Boat
<input type="checkbox"/> Handy	<input type="checkbox"/> Practical Homeowner	<input type="checkbox"/> Woodshop News
<input type="checkbox"/> Home Shop Machinist	<input type="checkbox"/> Precision Shooter	<input type="checkbox"/> Woodsmith
<input type="checkbox"/> Journal of Light Cont.	<input type="checkbox"/> Projects in Metal	<input type="checkbox"/> Woodwork
<input type="checkbox"/> Live Steam	<input type="checkbox"/> RC Modeler	<input type="checkbox"/> Woodworker West
<input type="checkbox"/> Model Airplane News	<input type="checkbox"/> Rifle	<input type="checkbox"/> Woodworker's Journal
<input type="checkbox"/> Modeltec	<input type="checkbox"/> Shop Notes	<input type="checkbox"/> Other: _____
<input type="checkbox"/> Old House Journal	<input type="checkbox"/> Shotgun News	

9. Comments: \_\_\_\_\_

\_\_\_\_\_

\_\_\_\_\_

\_\_\_\_\_

\_\_\_\_\_

\_\_\_\_\_

CUT ALONG DOTTED LINE

FOLD ALONG DOTTED LINE



WOODSTOCK INTERNATIONAL INC.  
P.O. BOX 2309  
BELLINGHAM, WA 98227-2309



FOLD ALONG DOTTED LINE

TAPE ALONG EDGES--PLEASE DO NOT STAPLE

# WARRANTY AND RETURNS

Woodstock International, Inc. warrants all Shop Fox machinery to be free of defects from workmanship and materials for a period of two years from the date of original purchase by the original owner. This warranty does not apply to defects due directly or indirectly to misuse, abuse, negligence or accidents, lack of maintenance, or reimbursement of third party expenses incurred.

Woodstock International, Inc. will repair or replace, at its expense and at its option, the Shop Fox machine or machine part which in normal use has proven to be defective, provided that the original owner returns the product prepaid to a Shop Fox factory service center with proof of their purchase of the product within two years, and provides Woodstock International, Inc. reasonable opportunity to verify the alleged defect through inspection. If it is determined there is no defect, or that the defect resulted from causes not within the scope of Woodstock International Inc.'s warranty, then the original owner must bear the cost of storing and returning the product.

This is Woodstock International, Inc.'s sole written warranty and any and all warranties that may be implied by law, including any merchantability or fitness, for any particular purpose, are hereby limited to the duration of this written warranty. We do not warrant that Shop Fox machinery complies with the provisions of any law or acts. In no event shall Woodstock International, Inc.'s liability under this warranty exceed the purchase price paid for the product, and any legal actions brought against Woodstock International, Inc. shall be tried in the State of Washington, County of Whatcom. We shall in no event be liable for death, injuries to persons or property or for incidental, contingent, special or consequential damages arising from the use of our products.

Every effort has been made to ensure that all Shop Fox machinery meets high quality and durability standards. We reserve the right to change specifications at any time because of our commitment to continuously improve the quality of our products.



## Free Manuals Download Website

<http://myh66.com>

<http://usermanuals.us>

<http://www.somanuals.com>

<http://www.4manuals.cc>

<http://www.manual-lib.com>

<http://www.404manual.com>

<http://www.luxmanual.com>

<http://aubethermostatmanual.com>

Golf course search by state

<http://golfingnear.com>

Email search by domain

<http://emailbydomain.com>

Auto manuals search

<http://auto.somanuals.com>

TV manuals search

<http://tv.somanuals.com>