

Model W1760 20 Gallon Parts Washer Instructions



Phone #: (360) 734-3482 • Online Tech Support: tech-support@shopfox.biz • Web: www.shopfox.biz

Introduction

This heavy-duty welded steel parts washer has a 20 gallon work-space volume, but is designed to hold a maximum of 10 gallons of liquid. Do not overfill.

Specifications

- Overall Size..... 30" L x 21" W x 35" H
- Tub Depth 10" Deep
- Maximum Liquid Level..... 10-Gallons or 5" Deep
- Minimum Liquid Level 6-Gallons or 3" Deep
- Nozzle Diameter5.5mm
- Pump Motor 110V, 0.7 Amp, 60 Hz
- Pump Output 50 GPM
- Net Weight 57 lbs.

Inventory (Figure 1)

	Qty
Parts Bin.....	1
Pump Box	1
Work Table.....	1
Tub.	1
Shelf	1
Pump Box	1
Leg	4
Bolt Bag	1
–Phillips Head Screw M6-1 X 12 (Legs)	25
–Hex Nut M6-1 (Legs)	25
–Lock Washer 6mm (Legs).....	25
–Phillips Head Screw M4-.7 X 10 (Switch Box)	2
–Hex Nut M4-.7 (Switch Box)	2
–Lock Washer 4mm (Switch Box).....	2

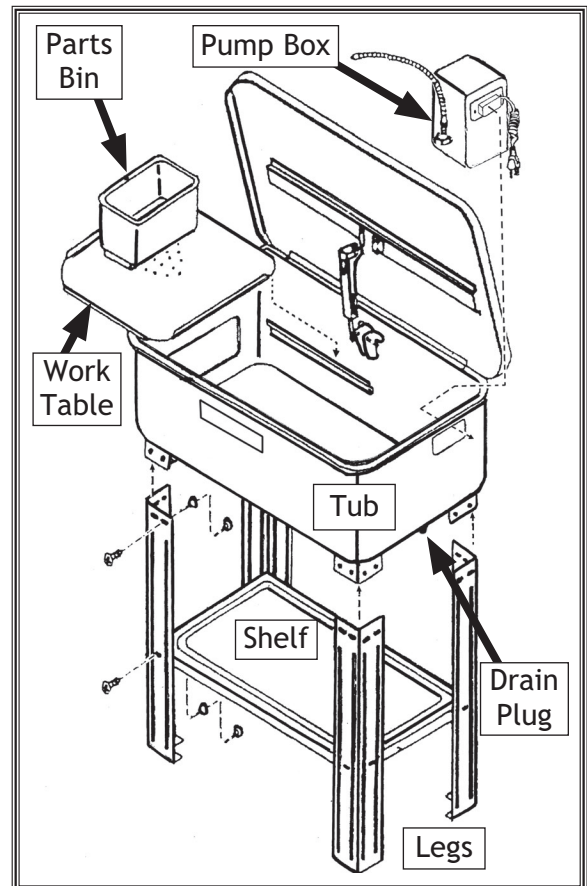


Figure 1. Assembly diagram.

COPYRIGHT © NOVEMBER, 2007 BY WOODSTOCK INTERNATIONAL, INC.

WARNING: NO PORTION OF THIS MANUAL MAY BE REPRODUCED IN ANY SHAPE OR FORM WITHOUT

#10087CR

THE WRITTEN APPROVAL OF WOODSTOCK INTERNATIONAL, INC.

Printed in China

Assembly

To assemble the parts washer, do these steps:

1. Layout the parts and use **Figure 1** to inventory them.
2. Using a #2 screwdriver and a 10mm wrench, secure the legs to the storage shelf with eight M6-1 x 12 screws, lock washers, and hex nuts.
3. With the help of an assistant, place the tub onto the legs and secure it in place with the remaining 16 screws, lock washers, and hex nuts.
4. Use a 19mm wrench to install the spout and tube onto the pump outlet (**Figure 1**).
5. Using a #2 screwdriver and a 7mm wrench, loosely mount the switch box to the side of the pump box with the two M4-.7 X 10 Phillips head screws, lock washers, and hex nuts.
6. Hang the switch box so the tub wall lip slips under the switch box support flange as shown in **Figure 2**.
7. Use a #2 screwdriver and a 7mm wrench, tighten the switch box mounting screws.
8. Place the work table and parts bin into the tub.
9. Use a 13mm wrench to make sure the tank drain plug is tight, and after filling, make sure the plug does not leak.

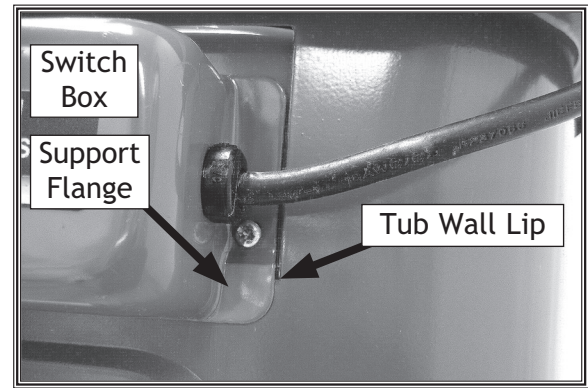


Figure 2. Pump and switch box support flange.

Choosing Your Cleaning Solution

Not every cleaning solution is safe to use in your parts washer. NEVER USE GASOLINE, KEROSENE, FUELS, STRIPPERS, OR ACIDS OF ANY KIND IN THIS PARTS WASHER. Due to the changing formulas of cleaning solutions, and changing laws and regulations, we cannot recommend a solution for you. Some solutions can be highly flammable and may damage pump and motor seals.

If you are in doubt about any aspect of your selected solution, contact the solution manufacturer, or refer to the Materials Safety Data Sheet (MSDS) information, which can be found on the internet. It is your responsibility to select a safe solution.

Operation Safety

- **POWER SUPPLY.** This machine requires a grounded 110V power supply circuit that is rated for a 15A.
- **PREVENTING ELECTRICAL SHOCK.** Only connect this parts washer to a properly grounded GFCI (Ground Fault Circuit Interrupt) receptacle. Test the GFCI receptacle operation according to switch manufacturer recommended intervals.
- **GROUND PRONG.** Never cut off the ground prong from the power cord in order to plug the parts washer power cord into a non-grounded wall receptacle or extension cord.
- **PREVENTING FIRE.** Do not fill this parts washer with gasoline, kerosene, fuel, or flammable solvents. Do not disconnect or modify the automatic lid closure device in any way. Keep an appropriate class fire extinguisher close at hand.
- **SAFE USAGE.** Never smoke, use a drop light, or any other hand-held ignition source or electrical device near the parts washer. An ignition source or electrical device that falls into the cleaning solution can cause severe burns or electrocution.
- **PERSONAL PROTECTION.** To prevent personal contamination, always wear gloves, goggles, an apron, and a respirator when using or changing the parts washer liquid. Wash your hands with soap and water after every use.
- **LOCATION.** Make sure that the parts washer is located in an area with adequate ventilation to prevent a buildup of vapors, and always keep the parts washer away from all sources of ignition.
- **SAFE STORAGE.** Keep away from children and animals. Close the lid when not using the parts washer.
- **MAINTENANCE.** Clean or replace tank filter before it becomes clogged, and inspect for leaks. Follow OSHA, EPA, and the manufacturer's solution replacement schedules and disposal regulations.

⚠ WARNING

USE this parts washer with caution and respect. Always consider safety first, as it applies to your individual working conditions. No list of safety guidelines can be complete—every shop environment is different. Failure to follow safety guidelines could result in serious personal injury or death.

⚠ WARNING

BIOLOGICAL and POISON HAZARD!

This parts washer is designed to store cleaning solutions. During storage some liquids can grow dangerous microbes, or due to the collection of toxic metal and contaminants from the items being washed, the fluid can become a very poisonous solution to humans and animals.

USE the correct personal protection equipment when handling sharp workpieces to prevent cuts, infections, and poisoning.

FOLLOW OSHA, EPA, and the fluid manufacturer's requirements to properly dispose of cleaning liquids when it becomes time to change the liquid.

Electrical Specifications

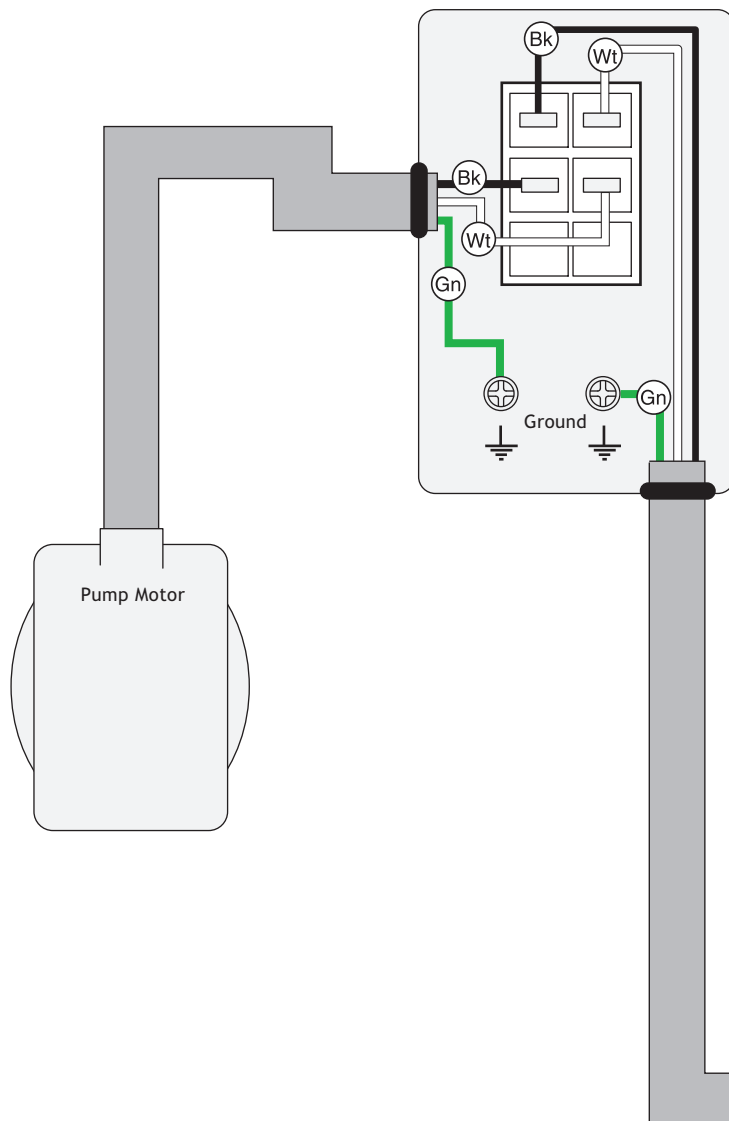
Operating Voltage	Amp Draw	Min. Circuit Size	Plug/Recommended Plug	Extension Cord
110V Operation	0.7 Amps	15A, GFCI	NEMA 5-15	16 Gauge

Model W1760 Parts Washer Wiring Diagram



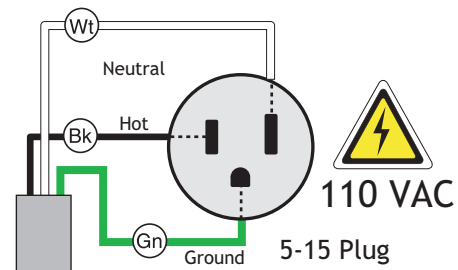
COLOR KEY	
BLACK	
WHITE	
GREEN	

SWITCH
(viewed from behind)

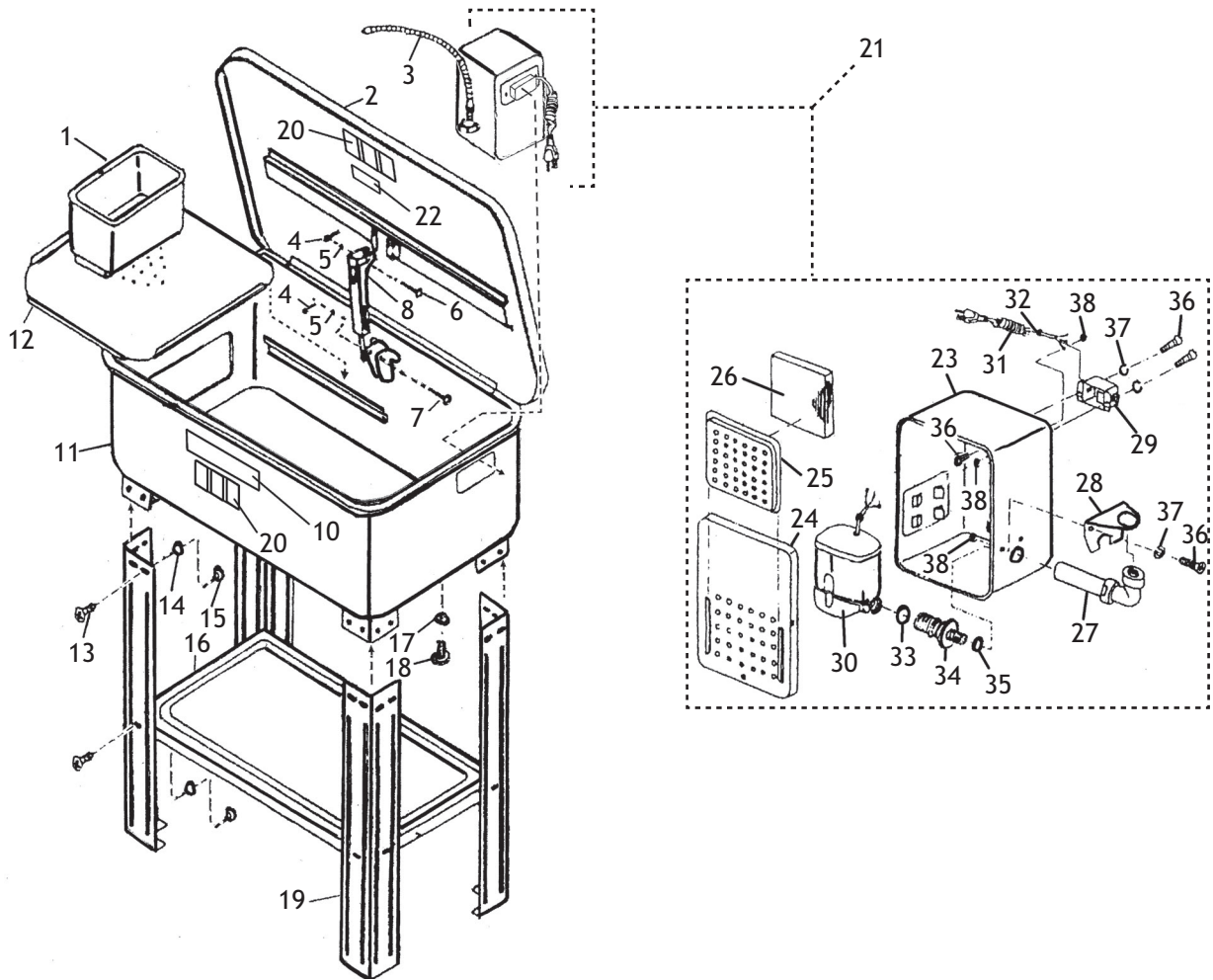


⚠ WARNING
ONLY CONNECT THIS PARTS WASHER TO A PROPERLY GROUNDED GFCI (GROUND FAULT CIRCUIT INTERRUPT) RECEPTACLE. TEST THE GFCI RECEPTACLE OPERATION ACCORDING TO SWITCH MANUFACTURER RECOMMENDED INTERVALS.

⚠ WARNING!
SHOCK HAZARD!
Disconnect power before working on wiring.



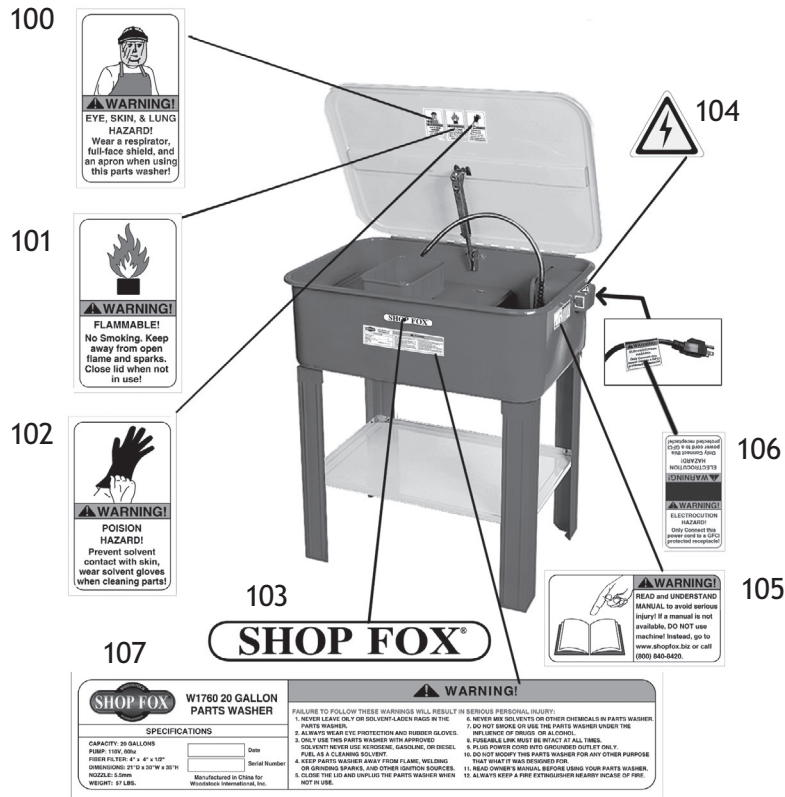
Parts



REF	PART #	DESCRIPTION
1	X1760001	PARTS BIN
2	X1760002	LID
3	X1760003	FLEX HOSE W/NOZZLE
4	X1760004	COTTER PIN 1.5 X 16
5	XPW02M	FLAT WASHER 5MM
6	X1760006	CLEVIS PIN 5 X 30
7	X1760007	CLEVIS PIN 5 X 20
8	X1760008	FIRE FUSE LINK ASSEMBLY
10	X1760010	DATA LABEL
11	X1760011	TUB
12	X1760012	WORK TABLE
13	XPS14M	PHLP HD SCR M6-1 X 12
14	XPLW03M	LOCK WASHER 6MM
15	XPNO1M	HEX NUT M6-1
16	X1760016	SHELF
17	X1760017	RUBBER WASHER
18	X1760018	DRAIN PLUG
19	X1760019	LEG
20	X1760020	COMBO WARNING LABEL

REF	PART #	DESCRIPTION
21	X1760021	COMPLETE PUMP BOX W/ELECTRICAL
22	X1760022	WATER SHOCK LABEL
23	X1760023	PUMP BOX
24	X1760024	PUMP BOX COVER
25	X1760025	FILTER RETAINER COVER
26	X1760026	FIBER FILTER
27	X1760027	OUTPUT PIPE W/ELBOW
28	X1760028	ELBOW SUPPORT BRACKET
29	X1760029	SWITCH BOX W/SWITCH
30	X1760030	SOLVENT PUMP 110V
31	X1760031	POWER CORD 110V
32	X1760032	GROMMET
33	XPORP021	O-RING 20.8 X 2.4 P21
34	X1760034	OUTPUT TUBE
35	XPORP015	O-RING 14.8 X 2.4 P15
36	XPS38M	PHLP HD SCR M4-.7 X 10
37	XPW05M	FLAT WASHER 4MM
38	XPNO4M	HEX NUT M4-.7

Label Placement



REF	PART #	DESCRIPTION
100	X1760100	EYE SKIN HAZARD LABEL
101	X1760101	FLAMMABLE WARNING LABEL
102	X1760102	RUBBER GLOVES WARNING LABEL
103	X1760103	SHOP FOX LABEL

REF	PART #	DESCRIPTION
104	XLABEL-04S	ELECTRICITY WARNING LABEL
105	XLABEL-08H	READ MANUAL LABEL
106	X1760106	GFCI WARNING LABEL
107	X1760107	DATA LABEL

WARRANTY

Woodstock International, Inc. warrants all Shop Fox machinery to be free of defects from workmanship and materials for a period of two years from the date of original purchase by the original owner. This warranty does not apply to defects due directly or indirectly to misuse, abuse, negligence or accidents, lack of maintenance, or reimbursement of third party expenses incurred.

Woodstock International, Inc. will repair or replace, at its expense and at its option, the Shop Fox machine or machine part, which in normal use has proven to be defective, provided that the original owner returns the product prepaid to a Shop Fox factory service center with proof of their purchase of the product within two years, and provides Woodstock International, Inc. reasonable opportunity to verify the alleged defect through inspection. If it is determined there is no defect, or that the defect resulted from causes not within the scope of Woodstock International Inc.'s warranty, then the original owner must bear the cost of storing and returning the product.

This is Woodstock International, Inc.'s sole written warranty and any and all warranties that may be implied by law, including any merchantability or fitness, for any particular purpose, are hereby limited to the duration of this written warranty. We do not warrant that Shop Fox machinery complies with the provisions of any law or acts. In no event shall Woodstock International, Inc.'s liability under this warranty exceed the purchase price paid for the product, and any legal actions brought against Woodstock International, Inc. shall be tried in the State of Washington, County of Whatcom. We shall in no event be liable for death, injuries to persons or property or for incidental, contingent, special or consequential damages arising from the use of our products.

Every effort has been made to ensure that all Shop Fox machinery meets high quality and durability standards. We reserve the right to change specifications at any time because of our commitment to continuously improve the quality of our products.

Free Manuals Download Website

<http://myh66.com>

<http://usermanuals.us>

<http://www.somanuals.com>

<http://www.4manuals.cc>

<http://www.manual-lib.com>

<http://www.404manual.com>

<http://www.luxmanual.com>

<http://aubethermostatmanual.com>

Golf course search by state

<http://golfingnear.com>

Email search by domain

<http://emailbydomain.com>

Auto manuals search

<http://auto.somanuals.com>

TV manuals search

<http://tv.somanuals.com>