



# Grass Collection System

## OWNER'S MANUAL AND PARTS LIST

For use on the Wright Z

98320007	48" 2-BAG COLLECTION SYSTEM
98320008	52" 2-BAG COLLECTION SYSTEM
98320009	52" 3-BAG COLLECTION SYSTEM
98320010	61" 3-BAG COLLECTION SYSTEM

**Note:** Please read all safety instructions before operating your Grass Collection System. This manual also contains installation instructions and a replacement parts list for your commercial product. Please visit us on the web at [www.wrightmfg.com](http://www.wrightmfg.com) for newer revisions of this manual.

Welcome to the progressive group of mowing professionals who use Wright commercial products. We are focused on giving you advanced engineering and quality construction in each mower we build.

This manual explains the features and promotes safer use of the mower. Please read it in its entirety and follow the instructions carefully so that you can have many years of safe and productive operation with your Wright product.

For service, remember that your Wright dealer knows your mower best and is interested in your satisfaction. Your dealer can provide you with quality maintenance and other assistance that you may need.

Please provide this manual to anyone who may operate the Wright Z mower with the Grass Collection System for them to study before operation. It is necessary to make sure that all safety precautions are followed for the safety of the operator and bystanders and to prolong equipment effectiveness and life.

As Wright Manufacturing, Inc. is constantly seeking ways to improve its products, the equipment you have may differ slightly from the information and specifications in this manual. Wright reserves the option to make changes at any time without notice, in the process of continually improving our products. Please visit us on the web for the most current product literature at [www.wrightmfg.com](http://www.wrightmfg.com).

Wright Manufacturing, Inc.

## LIMITED WARRANTY

### GRASS COLLECTION SYSTEMS FOR WRIGHT Z MOWERS

Wright Manufacturing, Inc. warrants the above products are free from original defects in workmanship and material for one (1) year from original date of purchase. This limited warranty applies only to the original purchaser of the product – the warranty is not transferable. The product must be registered, by the selling Dealer, through the Wright Manufacturing, Inc. online registration system within 14 days of original date of purchase. Warranty is void if product has been damaged through causes not arising out of defects in material or in workmanship. Damage caused by misuse or normal wear and tear are excluded from this warranty. This exclusion covers bent parts of products, belts, cloth/material, worn bearing parts and paint. Wright Manufacturing, Inc disclaims any consequential damages arising from the breach of any warrant. (Some states do not allow the exclusion of consequential damage, so the above disclaimer may not apply to you.)

# TABLE OF CONTENTS

## Safety Instructions

### General Safety

- Removing An Obstruction

### Mower Stability

### Safety Decals

## Installation Instructions

- Before You Begin

- Deck Preparation and Pulley Installation

### Blower Installation

- Deck Cover Installation

- Rear Collection System Installation

- Transfer Tube Installation

- Optional Deck Counterweight

## Operation Instructions

## Specifications

## Illustrated Parts List



This is the safety alert symbol. It is used throughout this manual and on the owner's safety labels to alert you to potential personal injury hazards. Read these instructions carefully. It is essential that you read the instructions and safety precautions before you attempt to work on or use this unit. Obey all safety messages that follow to avoid possible destruction of property, injury or death

## General Safety

- Become familiar with the Wright Z and it's Owner's Manual. It is necessary to understand how to shut down the PTO system and be familiar with the mower controls.
- Read the mower Owner's Manual and this manual completely.
- Identify and obey all safety warning decals. If any decals are missing, replace with new.
- Only allow well-trained adults age 18 or older to operate equipment.
- Wear appropriate eye and ear protection with properly fitting protective clothing.
- Use caution with rotating blades and blower. ALWAYS wait at least one-minute after turning off Blade-Clutch and engine before installing, adjusting, servicing or removing grass collection system.
- DANGER, Risk of thrown objects from mower blades and blower traveling at high speeds. NEVER operate mower with exposed mower deck or blower discharge.
- Check transfer hose connection point at blower and receptacle frame. NEVER run blower without transfer hose firmly connected to blower housing and bag receptacle housing.
- ALWAYS check mounting hardware. Grass Collection system should be firmly mounted the mower at all times during operation. DO NOT operate if any hardware is missing or loose.
- Always keep shields and guards in place. Removal of protective shields can risk serious injury or death during operation.
- If grass collection system is removed from mower, reinstall mower chute deflector BEFORE continued operation.
- Transfer hose and grass collection bags are subject to wear and MUST be replaced when torn, cracked, or unable to effectively channel discharge materials.
- Extreme CAUTION should be used on hills. The grass collection system will raise the mower's center of gravity and increase the risk of tipping or rollover.

## Removing an Obstruction

- 1 Turn off blade clutch PTO using Mower Controls.
- 2 Set the motion controls to neutral and set the parking brake.
- 3 Turn off engine and remove starter key.
- 4 Disconnect hose from blower and use a piece of wood to rotate propeller in reverse. It may be necessary to disconnect the blower belt to effectively turn impeller and dislodge the obstruction. DO NOT insert hands or fingers into the blower housing, the propeller may spin once the obstruction is dislodged.

## Mower Stability

The Wright Z was designed to maintain stability using this grass collection system. However, it is still necessary that the proper precautions be taken to ensure operator safety and stability.

- Adjust the rear wheel motor supports to be furthest from the mower deck. This is achieved by removing the wheels and unbolting the four mounting bolts for the wheel motor supports. Moving the motor supports to the back of the frame will improve the overall balance and stability of the machine.
- Travel at a reasonable speed when traversing uneven, loose or sloped ground
- Keep collection levels low when mowing on hills by emptying the bags frequently. This will increase the stability of the mower.
- If the mower is unable to mow in a straight line across the slope of a hill, the grade of the hill is too steep. Always start at the bottom of a hill to check this before proceeding further up the hill.
- Use extreme caution in mowing near streams, rivers and ponds. Maintain a distance of at least ten (10) feet at all times. The remainder should be cut with a walk-behind mower or trimmer.



## Safety Decals

It is essential that you become familiar with the safety decals on your grass collection system. The safety decals will alert you of potential hazards with operating the equipment. Following these cautions will help create a safe operation and prolong the life of your equipment. The following decals are located on your equipment. Replacement decals are not available through Wright mfg.



Permanently attached to grass collection system cover. ALWAYS use caution operating on hills. Counterweights are not necessary with the rear wheel motor supports properly mounted in the rearmost position. Optional deck counterweights are available to help prevent step-cutting.



Permanently attached to grass collection system bags. NEVER use worn or deteriorated equipment.



Located on blower, Always turn off mower blades and engine before clearing discharge chute of serious injury will occur. Discharge Chute be in place when the blower is removed from the mower.



Located on blower, Always use caution with movable parts. Serious injury can result from working on your grass collection system with the mower in operation. Always turn off machine and remove key before dislodging any jammed objects. Also be cautious of spinning components after an obstruction has been removed from the system.



Located on blower, All components of the grass collection system must be in place during operation. If any component is missing, it must be replaced before continuing operation. Either the blower or discharge chute should be in use at all times. Failure to comply could result in serious injury or death.



## Before You Begin...

### Tools You Will Need

7/16" Wrench	1/2" Wrench
9/16 Wrench	3/4" Wrench
7/8" Wrench	13/16" Wrench
Rubber Mallet	Jack and two block supports
Abrasive Paper	Drill

### Safety First

Use appropriate safety precautions. Warning: Rotating parts can cause serious injury. Wear eye protection and appropriate footwear. Disconnect Spark Plug wires on equipment before you begin to work. Do not test blower unit until firmly attached to mower and all safety guards are in place.

## Deck Preparation and Pulley Installation

### 1. Remove Chute Deflector

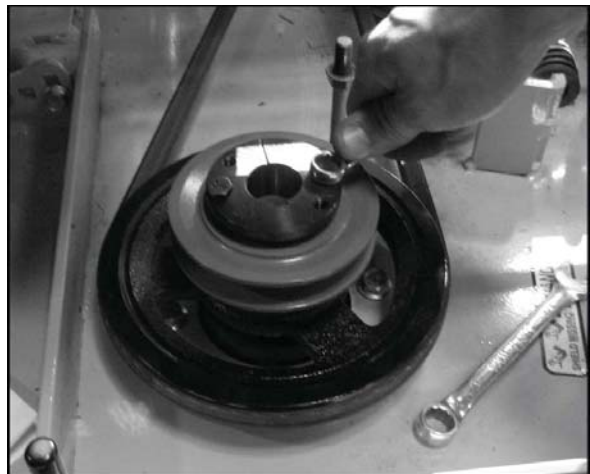
Remove and save the chute deflector and mounting hardware. Keep your chute deflector and hardware readily available for installing when not using your grass collection system. Either the chute deflector or the blower should be in place at all times during blade operation.

### 2. Remove Deck Cover

Remove the right deck cover, located on the discharge side of the deck. Do NOT throw away deck cover. Save cover for reassembly when grass collection system is removed from mower.

### 3. Install Blower Drive Pulley on the Mower Deck

- Use a piece of abrasive paper to remove any excessive surface rust from the shaft of the spindle located near the discharge
- Insert a 1/4" Key into the spindle shaft keyway
- Assemble together pulley with a supplied tapered hub and two bolts. Only finger tighten bolts for now, DO NOT wrench tighten at this time.
- Align the tapered hub keyway with the key positioned on the spindle shaft in step b. The pulley assembly should be oriented with the hub and bolts facing up.



- Using a rubber mallet, gently hammer the pulley assembly onto the spindle shaft. It is necessary to maximize the engagement of the pulley and the spindle shaft.
- Tighten the hub bolts with a 7/16" wrench. Alternate bolts when tightening to maintain a balanced load on each bolt.

## Blower Installation

### 1. Mounting the Blower to the Deck

Lift the blower and insert the front tab of the bracket into the mating hole on the deck-top bracket. The rear tab on the Adapter Bracket should fit securely into the rear portion of the deck-top bracket.

### 2. Check for Belt Interference

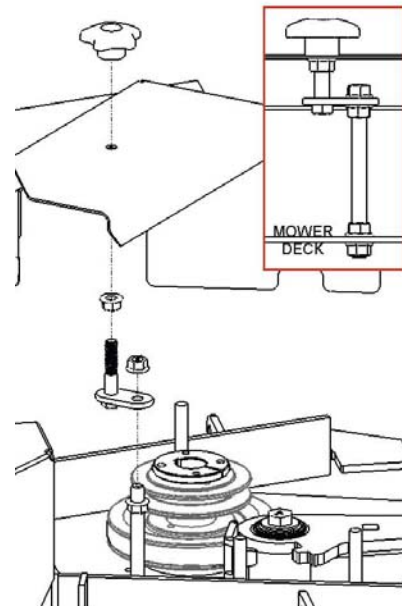
Certain earlier production models will require that a belt cover support post be hammered down, out of the path of the belt. Only perform this if a deck cover post is in the path of the blower belt or within an inch thereof.



# Install New Deck Cover

## For 48" Mower Deck

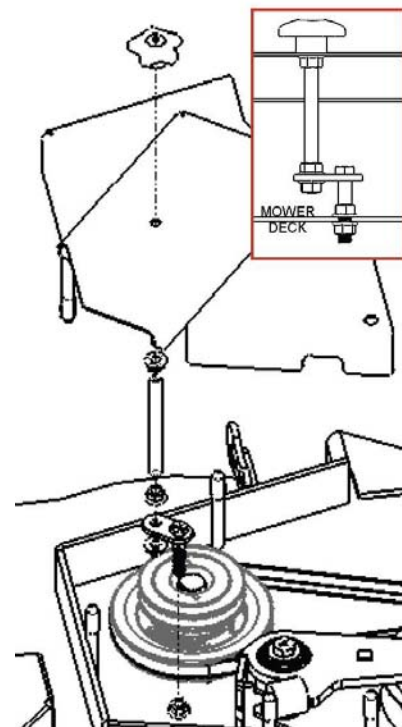
1. Place offset stud adapter on existing deck cover stud.
2. Secure in place with the supplied 3/8" flange nut. Do not tighten completely.
3. Place deck cover on mower deck and verify the correct stud location. Remove Cover and tighten nut.
4. Place another 3/8" nut on the stud adapter and adjust location to properly support deck cover when installed.
5. Place new deck cover on mower deck and tighten deck knob.



Deck Cover Stud Configuration

## For 52" Mower Deck

1. Remove current deck stud and hardware
2. Attach original deck stud (previously removed) to offset stud adapter using two 3/8" nuts. Flange face of nut should contact stud adapter. Tighten firmly.
3. Attach stud adapter, as shown, to the mower deck using the original mounting hole, and two 3/8" flange nuts. Flange face must contact deck surface. Do not tighten, until stud placement is verified by mounting deck cover.
4. Thread on another 3/8" nut, flange-sideup, onto the original deck stud. This will support the deck cover. Nut should be adjusted to allow proper support when deck cover is in place. Verify stud placement with cover and tighten stud to mower deck.
5. Place deck cover on mower deck and fasten.



52" Deck Cover Stud Configuration

## For 61" Mower Deck

All 61" Deck machines will use the existing threaded deck stud and knob. Make any necessary adjustments to the deck cover stud to insure that the deck cover is level with the deck cover posts.



# Rear Collection System Installation

## 1. Attach Muffler Tail Pipe and Clamp

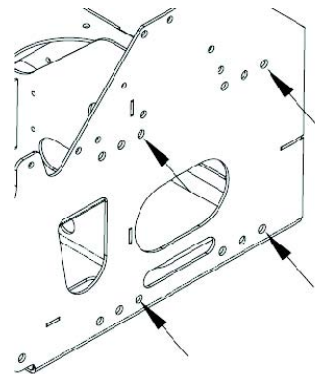
- The tail pipe must be installed to direct the exhaust away from the bags on the rear collection system. Slide end onto existing muffler exhaust pipe. Orient the tail pipe so that it directs the exhaust to the right side of the mower. This will prevent excess heat exposure to the grass collection bags.
- Use enclosed screw to secure the tail pipe to the muffler.

## 2. Bolt on Grass Collection Receptacle Frame

Using two 1/2" bolts and nuts, attach the grass collection receptacle frame to the back of the rear engine guard, as shown in the illustrated parts list. The enclosed thick washer should be installed between the engine guard and the grass collection receptacle frame.

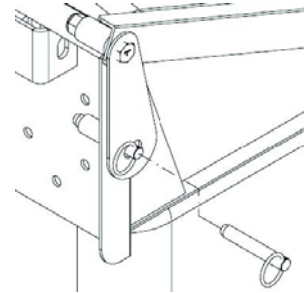
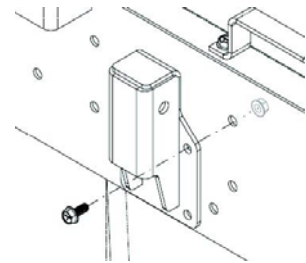
## 3. Move the Rear Motor Supports

- Raise rear of mower frame. Be certain that the machine is securely attached to jack or lift. Place block supports or jack stands under the mower and lower the frame onto them by lowering the lift/jack.
  - Remove the rear wheels and unbolt the four bolts securing the wheel motor supports to the side of the mower frame. It is not necessary to remove the wheel motor from the wheel motor support.
  - Reposition the wheel motor support in the furthest rear-ward position, as shown. It may be necessary to adjust the hydraulic lines exiting the wheel motor using a 7/8" and 13/16" wrench. Do not fully tighten wheel motor support bolts at this time.
  - Attach the receptacle frame side support. The lower portion of the side supports will utilize the rearmost upper bolt on the wheel motor support. Attach the upper support arms using two 3/8" bolts and nuts on each side support.
- Tighten all hardware.
  - Mount the rear wheels and tighten all lug nuts. Lower mower from raised position.
  - Adjust rear brake shoes to effectively grip tire in new position.



## 4. Mount Collection Hood Frame to Mower Frame and Assemble

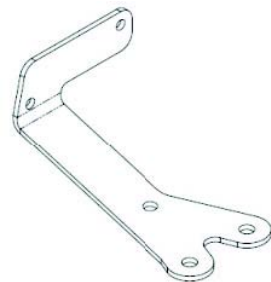
- **For 52" Triple Bag Units:** It is necessary to use the offset adapter for mounting. This improves the access of the trim edge on the left side of the mower. Attach using 4 3/8" bolts and nuts on each adapter bracket. Use the attached pins to secure the rear assembly to the mower. **For all other units:** Mount to tube slots located on the upper rail of the rear face of the hood frame. Use the attached pins to secure the rear assembly to the mower.
- Bolt the inlet port to the rear of the hood frame using four 5/16" bolts and nuts. It will be necessary to raise hood cover to access nuts.
- Place Bags in grass collection unit with the lid raised. To lock bags in place, lower lid and insert cover pin located on the left side of the mower. This will prevent the hood cover from lifting up while driving on bumpy terrain. Failure to lock this pin could result in a bag falling out of the rear unit.



## Transfer Tube Installation

- The transfer tub will need to be cut to size. To achieve the correct length, lower the deck before installing the tube. Allow for 2 1/2" of overlap for the tube and the blower and approximately 4" of overlap for the rear collection frame. Cut tubing using a utility knife. A pair of diagonal cutters will be needed to cut the hard plastic rib.
- Fit the transfer tube and secure the attachment clips.

Note: 48" Units will need the transfer hose guard. Mount the guard underneath the rear gas tank support. This guard will prevent the hose from rubbing the rear tire and is sufficient to be used by itself. However, the tube could be fastened to the guard by connecting an elastic tie-down strap to the two holes on the guard.



## Optional Deck Counter-Weight Kit

An optional deck weight kit is available for mowing slopped terrain, where stripping is an issue. The weight bolts to the left side of the deck and should not extend beyond the trim edge. This weight is not necessary if you are mowing relatively flat, smooth ground.

## Before You Begin...

- Clear lawn of all debris, including exposed rocks, fallen limbs and sticks.
- Clean underside of deck and grass collection system to make sure it is free from clogs, grass buildup, or any other obstructions.
- Check moisture content of grass before mowing: if the grass is wet, it will likely clog easily. Additionally, collecting long cuts of grass can also clog easily. For this reason it is best to cut frequently or in stages when needed
- Ensure that the transfer tube is securely attached to the blower and collection system. All fasteners should be firmly in place.
- Read and adhere to all safety instructions and decals
- Lubricate blower spindle shaft

## Operation

Your Wright Z was designed to accommodate a grass collection system, without the need for front counter-weights. This is achieved through moving the rear wheel position rearward. This improves the maneuverability of your Wright Z without the compromise of weight or an increased turning inertia. However, it is still necessary to account for a slightly increased turning radius and different operation feel. Use your unit at slower speeds before you are completely familiar with its operation.

Use the PTO shut-off switch to disengage the blades and grass collection system in the event of an emergency. Always turn mower off before inspecting unit. Keep all shields in place during operation and follow all safety instructions

Operate machine at full-throttle so that the grass collection system can be at its optimal RPM setting. If grass is blowing out the bottom of the mower, check for a clog or full bags before continuing. Be sure to shut-off mower before inspection.

## Transport

Before transporting your mower with the grass collection system on it, remove the bags and secure them to the vehicle. This can be achieved using the handle located on the bottom portion of the bag. Your bags are secure during normal operating speeds with the use of the cover locking pin, but may be vulnerable at highway driving speeds.

## Storage

Always clean unit after operation. This helps reduce deterioration of the unit's components. Clean only with a mild detergent, harsh cleaners can degrade the components of your system. Make sure components can dry thoroughly before storage. This will prevent mold or mildew from forming on your equipment. Store in a dry location.

Repaint any surfaces where the paint has been chipped or scratched to prevent surface rust.

	48" Twin Receptacle	52" Twin Receptacle	52" Triple Receptacle	61" Triple Receptacle
Deck Size (in.)	48"	52"	52"	61"
Number of Bags	2	2	3	3
Bag Material	Polyester w/ Polyethylene bottom	Polyester w/ Polyethylene bottom	Polyester w/ Polyethylene bottom	Polyester w/ Polyethylene bottom
Bag Size (WxWxH) (in.)	18"x18"x24"	18"x18"x24"	18"x18"x24"	18"x18"x24"
Total Capacity (Bushels)	8	8	12	12
Rear weight empty (lbs.)	108	108	140	140
Rear weight full (lbs.)	220	220	208	208
Frame Construction	Steel	Steel	Steel	Steel
Transfer Hose Diameter (in.)	7"	7"	7"	7"
Transfer Hose Material	Ribbed-Polyethylene	Ribbed-Polyethylene	Ribbed-Polyethylene	Ribbed-Polyethylene
Blower weight (lbs.)	85	85	85	85
Blower Impeller Material	Steel	Steel	Steel	Steel

# Specifications



# GRASS COLLECTION SYSTEM PARTS LIST

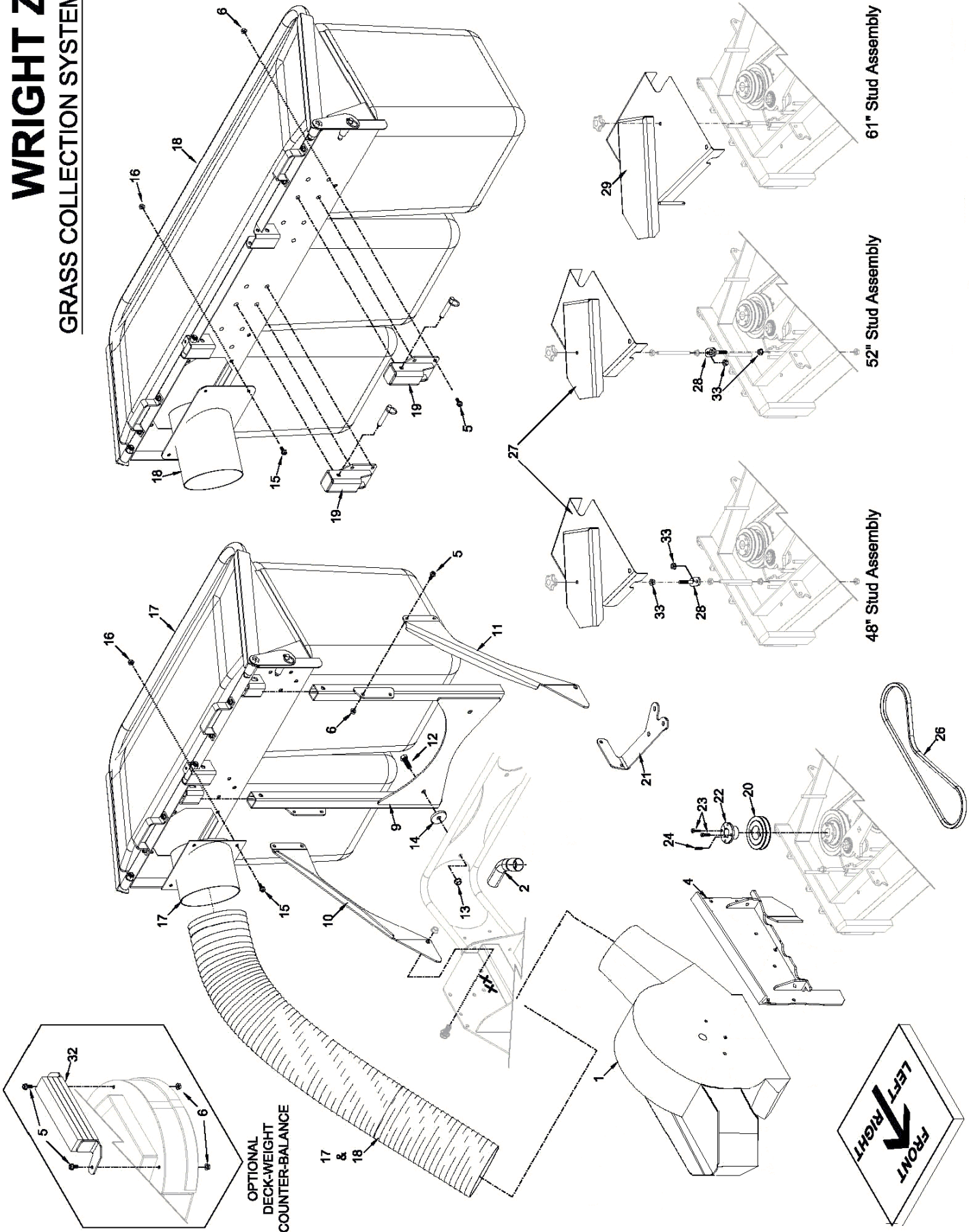
REF #	PART NUMBER	DESCRIPTION
1	SEE BELOW	BLOWER ASSEMBLY
2	51410024	TAIL PIPE
4	98330002	BLOWER MOUNT
5	98320033	BOLT, FLANGE 3/8"-16 X 3/4 Z5
6	98320026	NUT, LOCK FLANGE 3/8"-16
9	98330003	GRASS COLLECTION RECEPTACLE FRAME
10	93460095	RECPTACLE FRAME SIDE SUPPORT, RIGHT
11	93460096	RECPTACLE FRAME SIDE SUPPORT, LEFT
12	98320023	BOLT, FLANGE 1/2"-13 X 1 1/4" Z5
13	12990022	NUT, LOCK FLANGE 1/2"-13 Z
14	98320046	THICK WASHER, 1" ID
15	98320024	BOLT, FLANGE 5/16"-18 X 3/4" Z5
16	12990021	NUT, LOCK FLANGE 5/16"-18Z
17	SEE BELOW	2-Bag Catcher
18	SEE BELOW	3-Bag Catcher
19	98320052	OFFSET MOUNTING BRACKET -USED ON 52" TRIPLE ONLY
20	98320090	3.95" A-B PULLEY SHEAVE, 61" UNITS ONLY
	98320089	4.5" A-B PULLEY SHEAVE, 52" UNITS ONLY
	98320091	4.95" A-B PULLEY SHEAVE, 48" UNITS ONLY
21	93460091	TRANSFER HOSE GUARD, USED ON 48" ONLY
22	71460008	BUSHING, SPLIT TAPERED 1"
23	11990090	BOLT, HSC, 1/4"-20 X 1 PLAIN
24	98320047	MACHINE KEY 1/4" X 1/4" X 1"
26	98320087	BELT, 90" FOR 48" & 52" UNITS
	98320092	BELT, 94" FOR 61" UNITS ONLY
27	98320013	GRASS COLLECTION COVER KIT, 48" & 52"
28	93460099	DECK STUD ADAPTER, 48" & 52" ONLY
29	98320014	GRASS COLLECTION COVER KIT, 61" ONLY
32	93460098	OPTIONAL 14.5 LB COUNTER - BALANCE WIEGHT
33	98320022	NUT, LOCKING 3/8"-24

Refer to following sheets for detail parts illustrations.

- REF #1 Blower Assembly (Blower parts list / 18" Vertical Blower)  
 REF #17 2-Bag Catcher (2-Bag Catcher parts list / 2-Bag Catcher)  
 REF #18 3-Bag Catcher (3-Bag Catcher parts list / 3-Bag Catcher)

# WRIGHT Z

## GRASS COLLECTION SYSTEM

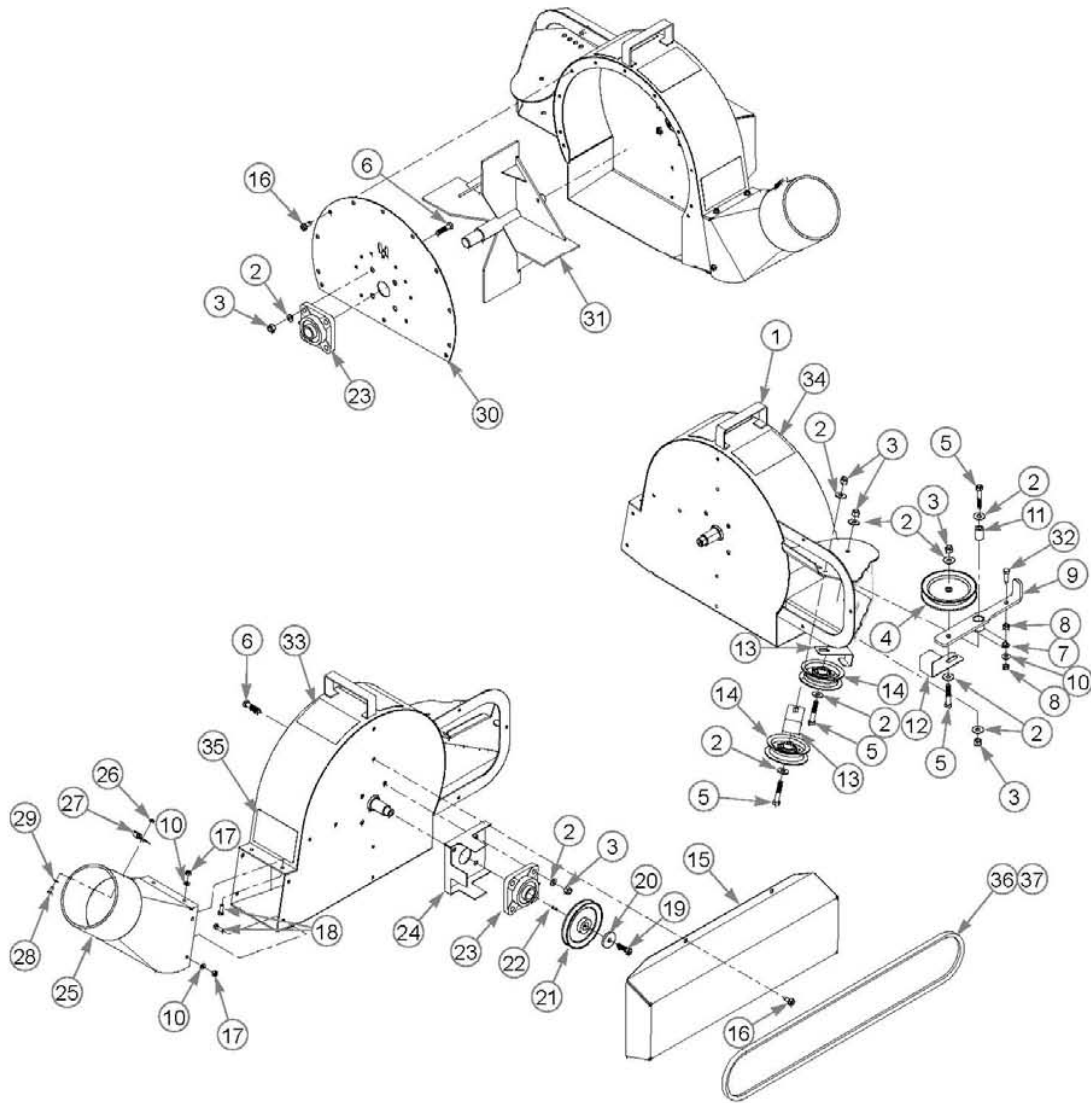




# BLOWER PARTS LIST

REF #	PART NUMBER	DESCRIPTION	QTY.
1	98320071	BLOWER HOUSING	1
2	13990010	FLAT WASHER-5/16"	16
3	98320026	HEX NUT, NYLON INSERT-3/8"-16	12
4	98320084	IDLER PULLEY	1
5	98320042	CAP SCREW-3/8"-16 X 2" LONG	4
6	98320036	CAP SCREW-3/8"-16 X 1 1/2" LONG G5	8
7	98320043	SPRING	1
8	12990021	HEX NUT, NYLON INSERT-5/16"-18	4
9	98320073	BELT TENSIONING ASSEMBLY	1
10	13990009	FLAT WASHER 1/4" USS	5
11	98320074	BELT TENSIONING BUSHING	1
12	98320069	BELT GUIDE, LARGE PULLEY	1
13	98320070	BELT GUIDE SMALL PULLEY	2
14	98320083	BACK SIDE BELT IDLER PULLEY	2
15	98320068	BELT COVER	1
16	98320041	SELF THREADING SCREW UNSLOTTED-5/16"-18 X 5/8" LONG	9
17	12990019	HEX NUT, NYLON INSERT-1/4"-20	4
18	98320029	CAP SCREW-1/4"-20 X 3/4" LONG	4
19	98320050	BOLT, SERRATED PFLANGE-3/8"-16 X 1.25" LONG	1
20	98320049	FLAT WASHER-HEAVY	1
21	98320082	DRIVE PULLEY	1
22	98320035	KEY	1
23	98320085	BEARING	2
24	98320067	BELT GUIDE	1
25	98320088	7" TRANSITION CHUTE	1
26	98320039	HEX NUT, NYLON INSERT, #10-24	1
27	15990036	SPRING CLIP	1
28	98320038	MACHINE SCREW-#10-24X 1/2" LONG	1
29	13990003	FLAT WASHER-#10 FENDER	1
30	98320072	BLOWER COVER	1
31	98320075	IMPELLER	1
32	98320045	CAP SCREW-5/16"-18 X 1" LONG	1
33	-	LABEL, DANGER-TURN OFF MOWER	1
34	-	LABEL, DANGER-ROTATING BLADES	1
35	-	LABEL, DANGER-THROWN OBJECT	1
36	98320087	BELT ARIMID CORD 90"	1
37	98320092	BELT ARIMID CORD 94"	1

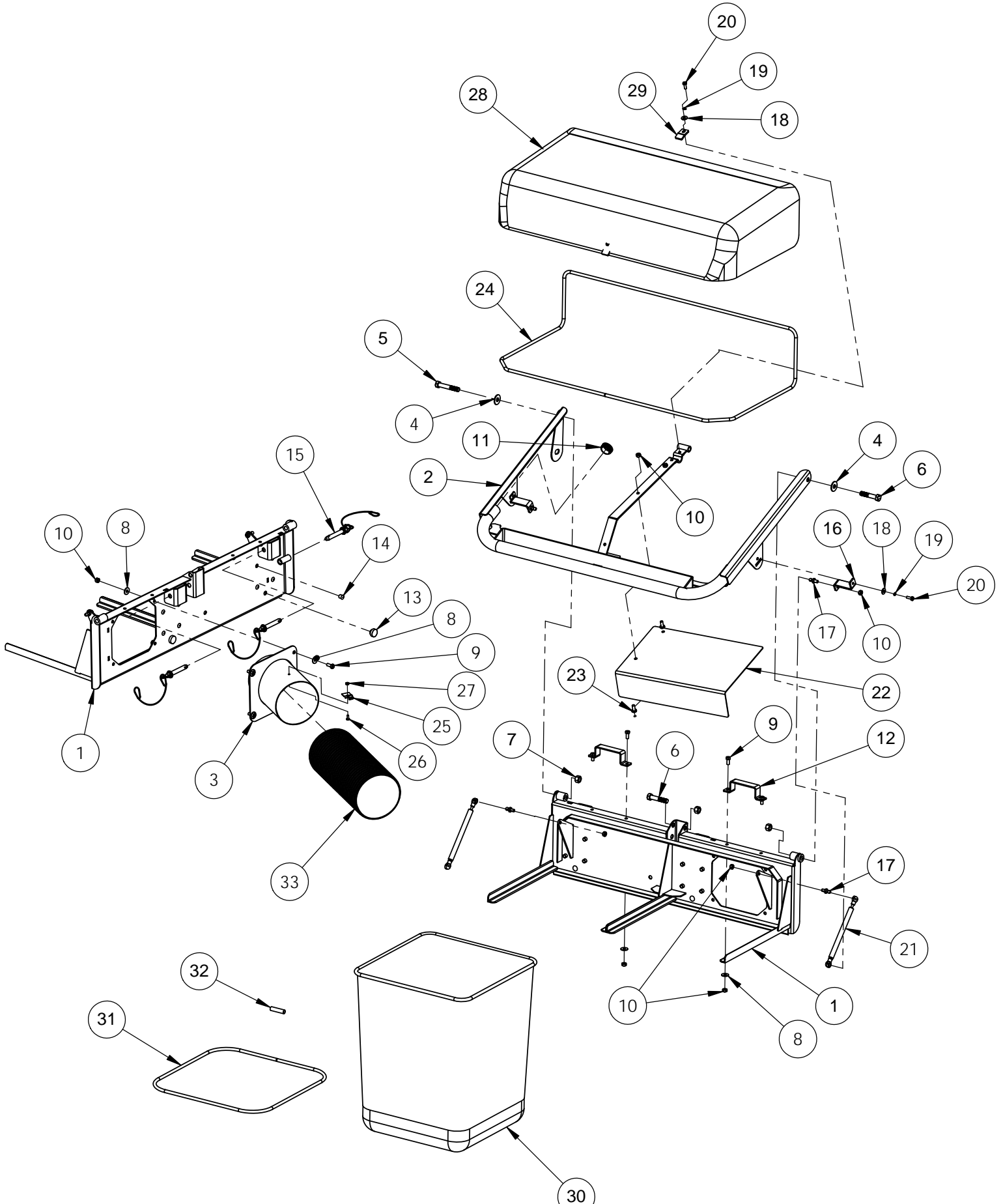
# 18" Vertical Blower



## 2-BAG CATCHER PARTS LIST

REF #	PART NUMBER	DESCRIPTION	QTY.
1	98320062	2-BAG SUPPORT MOUNT	1
2	98320063	2-BAG CAP FRAME SUPPORT	1
3	98320055	7" INLET TUBE 2-BAG	1
4	98320030	1/2" Flat Washer	2
5	98320044	CS 1/2-13 X 3 G5	1
6	98320034	CS 1/2-13 X 2.5 G5	2
7	12990022	1/2-13 Nylon Insert Nut	3
8	13990010	5/16" Flat Washer	12
9	98320024	CAP SCREW 5/16-18 x .75	8
10	12990021	5/16-18 Nylon Insert Nut	14
11	98320020	1.5" HOLE PLUG, PLASTIC	2
12	98320053	HANDLE, BAG	2
13	98320023	RUBBER BUMPER	2
14	98320021	PLUG, HOLE 7/16	8
15	98320027	1/2 DETENT PIN 2.5" LONG	3
16	98320057	Gas Cylinder Mount	2
17	98320081	GAS SPRING BALL JOINT	4
18	13990009	1/4" USS WASHER	4
19	13990020	LOCKWASHER 1/4" MEDIUM SPRING	4
20	98320029	CAP SCREW 1/4-20 x .75	4
21	98320080	GAS CYLINDER, 6x15 LOM 375 EXT	2
22	98320065	2 BAG DEFLECTOR	1
23	98320032	Pan Head Cap Screw 5/16-18 x 3/4 Lg	2
24	98320061	AIR DOME FRAME (2-BAG)	1
25	15990036	SPRING CLIP	1
26	98320038	#10 x 1/2" SCREW	1
27	98320039	#10-24 Nylon Insert Nut	1
28	98320016	WRIGHT AIR DOME (2-BAG)	1
29	98320059	CLAMP BRACKET, 2-3 BAG CATCHER	2
30	98320015	CATCHER BAG, COMMERCIAL	2
31	98320056	BAG FRAME	2
32	98320048	TUBE, PLASTIC 1/2" OD x 3/8 ID	2
33	98320086	HOSE, 7" X 58" Lg.	1

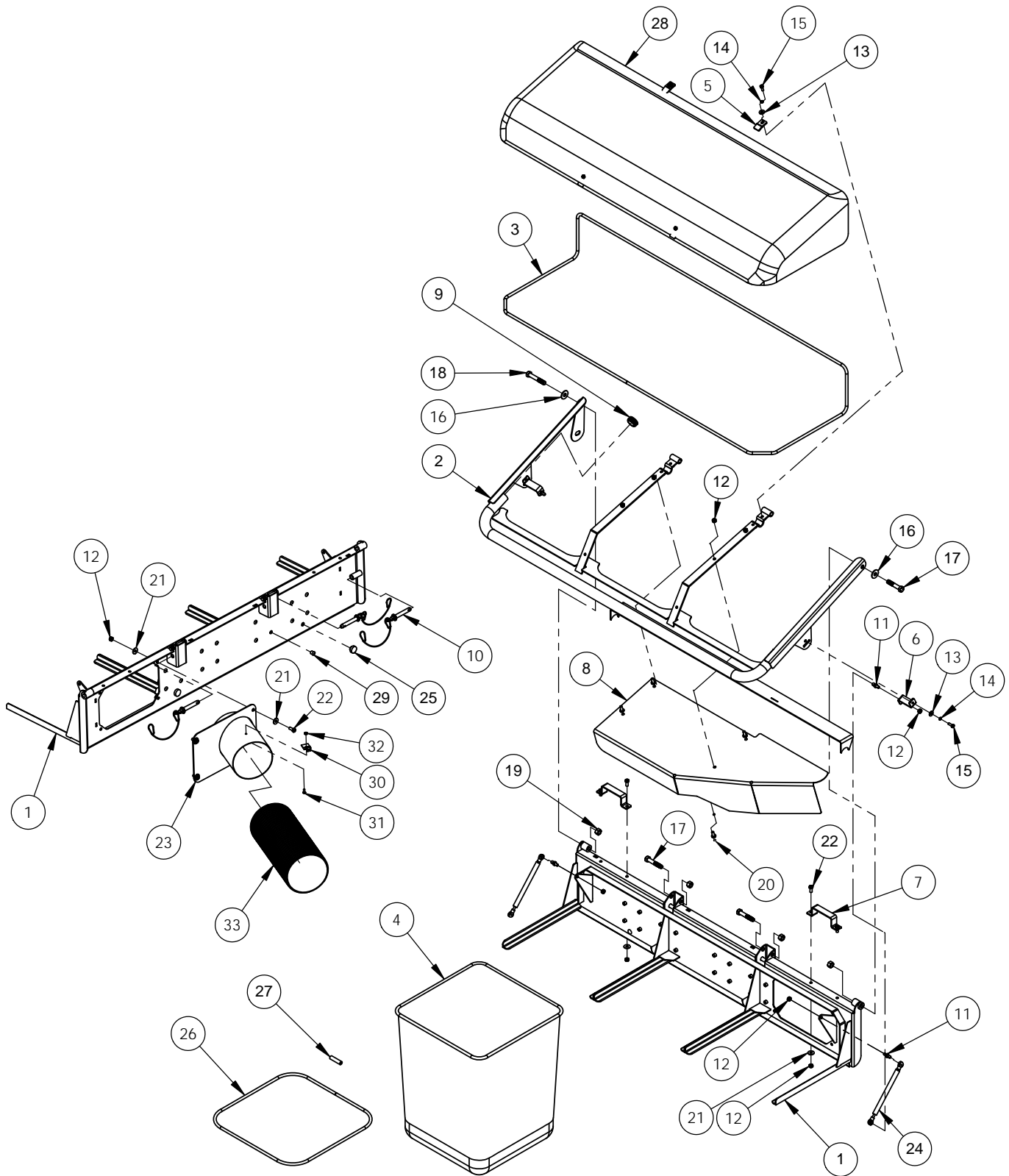
# 2-BAG CATCHER



# 3-BAG CATCHER PARTS LIST

REF. #	PART NUMBER	DESCRIPTION	QTY.
1	98320058	3-BAG SUPPORT MOUNT	1
2		3-BAG CAP SUPPORT	1
3	98320060	AIR DOME FRAME (3-BAG)	1
4	98320015	CATCHER BAG, COMMERCIAL	3
5	98320059	CLAMP BRACKET, 2-3 BAG CATCHER	4
6	98320057	Gas Cylinder Mount	2
7	98320053	HANDLE, BAG	2
8	98320064	3 -BAG DEFLECTOR	1
9	98320020	1.5" HOLE PLUG, PLASTIC	2
10	98320027	1/2 DETENT PIN 2.5" LONG	3
11	98320081	GAS SPRING BALL JOINT	4
12	12990021	5/16-18 Nylon Insert Nut	16
13	13990009	1/4" USS WASHER	6
14	13990020	LOCKWASHER 1/4" MEDIUM SPRING	6
15	98320029	CAP SCREW 1/4-20 x .75	6
16	98320030	1/2" Flat Washer	2
17	98320034	CS 1/2-13 X 2.5 G5	3
18	98320044	CS 1/2-13 X 3 G5	1
19	12990022	1/2-13 Nylon Insert Nut	4
20	98320032	Pan Head Cap Screw 5/16-18 x 3/4 Lg	4
21	13990010	5/16" Flat Washer	12
22	98320024	CAP SCREW 5/16-18 x .75	8
23	98320054	7" 3-BAG INLET TUBE	1
24	98320080	GAS CYLINDER, 6x15 LOM 375 EXT	2
25	98320028	RUBBER BUMPER	2
26	98320056	BAG FRAME	3
27	98320048	TUBE, PLASTIC 1/2" OD x 3/8 ID	3
28	98320017	AIR DOME (3-BAG)	1
29	98320021	PLUG, HOLE 7/16	16
30	15990036	SPRING CLIP	1
31	98320038	#10 x 1/2" SCREW	1
32	98320039	#10-24 Nylon Insert Nut	1
33	98320086	HOSE, 6" X 51" Lg.	1

# 3-BAG CATCHER







## Free Manuals Download Website

<http://myh66.com>

<http://usermanuals.us>

<http://www.somanuals.com>

<http://www.4manuals.cc>

<http://www.manual-lib.com>

<http://www.404manual.com>

<http://www.luxmanual.com>

<http://aubethermostatmanual.com>

Golf course search by state

<http://golfingnear.com>

Email search by domain

<http://emailbydomain.com>

Auto manuals search

<http://auto.somanuals.com>

TV manuals search

<http://tv.somanuals.com>