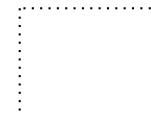


OWNER'S MANUAL

XOVISION
XO1915BT



In-Dash Mobile Video System

MADE IN CHINA

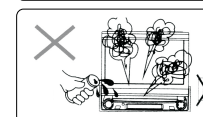
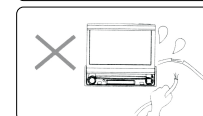
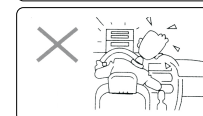
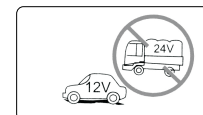
Contents

Warnings and Precautions.....	2	Radio Operation.....	16
Electric Connection.....	4	Band	
Reception collection		Band tuner	
Speaker collection		APS/ST	
Installation.....	5	Accessories.....	17
Install the unit		Troubleshooting.....	18
Remove the unit		Familiar characters and their meanings	
General Features.....	6	General problems	
Remote Control.....	7	TFT Monitor	
Loading and Replacing the battery		Radio Tuner	
Basic operation		Mp3 playback	
Play Operation.....	9	DVD player	
USB/SD operation.....	11	Specifications.....	23
USB/SD PLAYER			
System setting.....	12		
Video			
Audio			
System			
TV tuner.....	13		
Bluetooth.....	14		

Warnings and Precautions

Warnings

- 1 Only connect the unit to a 12V power supply with negative grounding.
- 2 Never install the unit where the operation for safety driving is restrained.
- 3 Never use the video display function in the front when driving to prevent the violation of laws regulations and also to reduce the risk of traffic accident except using for rear view video camera.
- 4 Never expose the unit, amplifier, speakers to moisture or water to prevent electronic sparks or fires.
- 5 Please don't change the fuse in the power cord without professional guidance, improper fuse may cause damage to this using unit or even cause fire.
- 6 Please power off the unit at once and send it back to the after-sales service center or the dealer/distributor yo purchased from if one of the following symptoms is found:
(a)NO audio output; (b)NO image output;(c)Water or other obstacle enters the unit; (d)Smoking;
(e)Peculiar smell.
- 7 To ensure safe driving, please adjust the volume to a safe and comfort level in case of emergency situations.



Warnings and Precautions

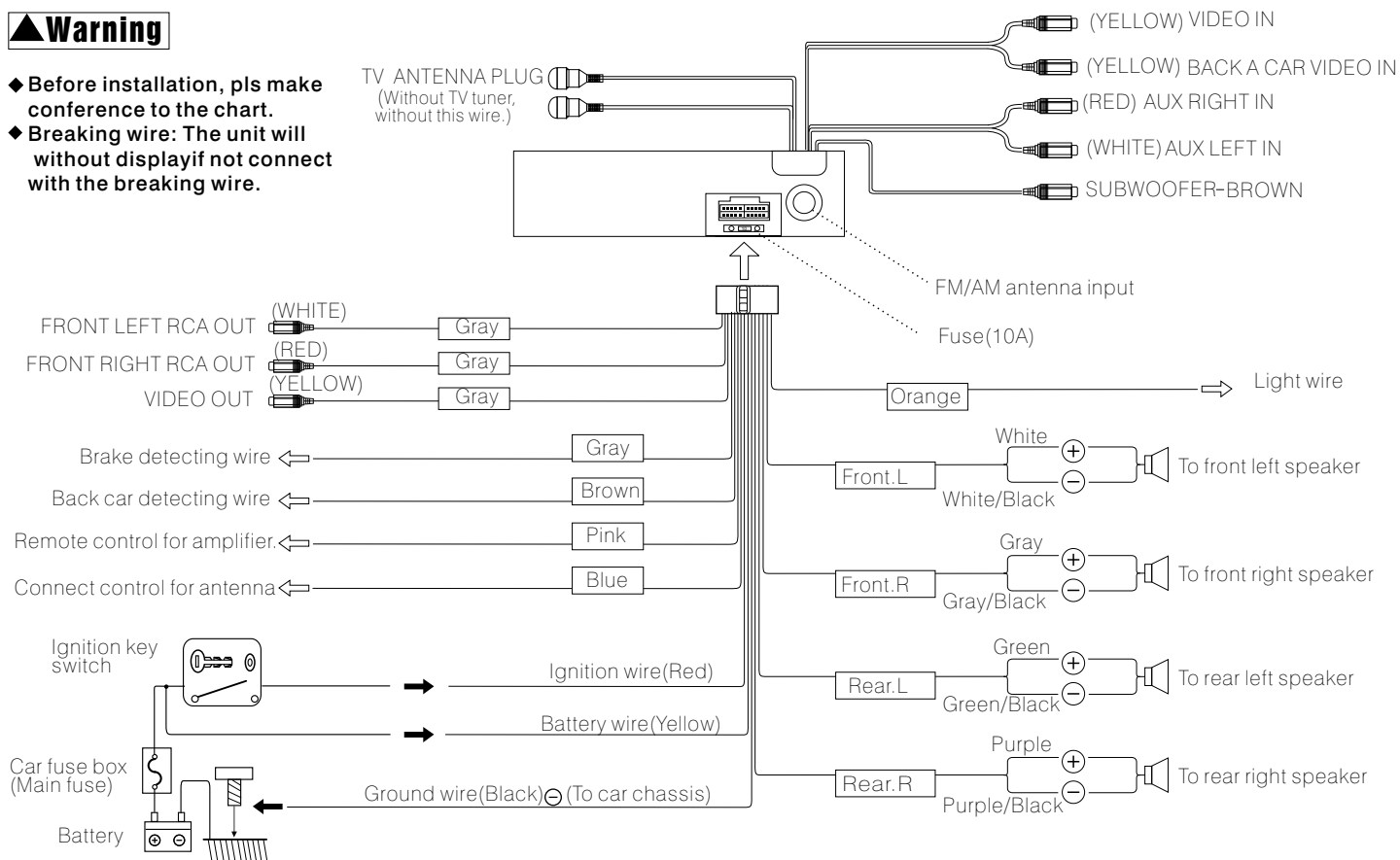
Precautions

- 1 Never disassemble or adjust the unit without any professional guide. For details, please consult any professional car shop/ dealer for inquiry.
- 2 If the front panel or the TFT monitor is squalid, please use a clean silicone cloth and neutral detergent to wipe off the spot. Using a rough cloth and non-neutral detergent such as alcohol for cleaning may result in scratching or decoloration to the applicant.
- 3 If any abnormal behavior of the unit is found, please refer to trouble shooting guide of this manual. If no relevant information is found, please press the [RESET] key on the front panel to resume factory default.
- 4 If you have parked the car in hot or cold weather for a long time, please wait until the temperature in the car becomes normal before operating the unit.
- 5 Using in-car heater in low temperature environment may result in beads coagulate inside the unit. DO NOT use the unit in this situation, eject the disc and wipe off the bead on the disc. If the unit still doesn't work after a few hours, please contact with after-sales service center.
- 6 No fierce impact to the LCD monitor when it is in open position for preventing the damage to any mechanisms inside.
- 7 To prevent the damage to the screen, avoid touching it with sharp objects.
- 8 The monitor employs auto motorizing mechanism, please don't push, pull, or swivel the monitor manually to prevent damage to any mechanisms inside.
- 9 To provide a clear demonstration and an alternative for easy understanding to the operation of this unit, graphic illustrations are used. However, these illustrations are some different from the actual images displayed in the unit.
- 10 During operation the unit, "🚫" is displayed if the particular operation is not available or illegal.
- 11 Operate the unit correctly according to this manual to prevent. Unnecessary problem. The guarantee won't be valid if the problem is caused by inappropriate operation.

Electric Connection

▲Warning

- ◆ Before installation, pls make conference to the chart.
- ◆ Breaking wire: The unit will without display if not connect with the breaking wire.

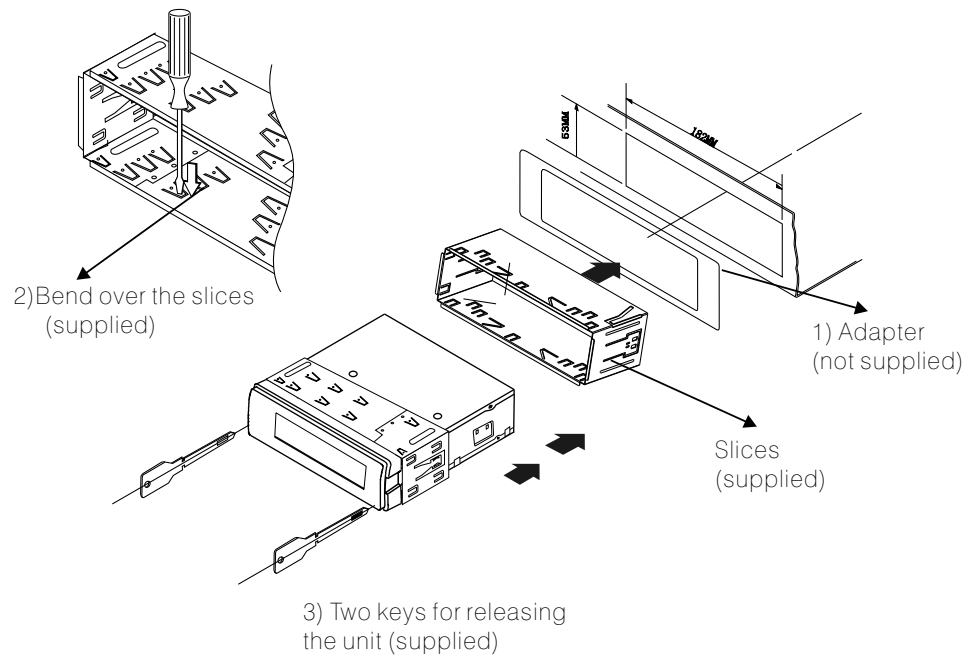


Installation

- Before installing the receiver, fit it in the suitable place of your car. Then connect the corresponding speakers and electrical connections. When your system is operated properly, follow the instructions installation

INSTALL THE UNIT

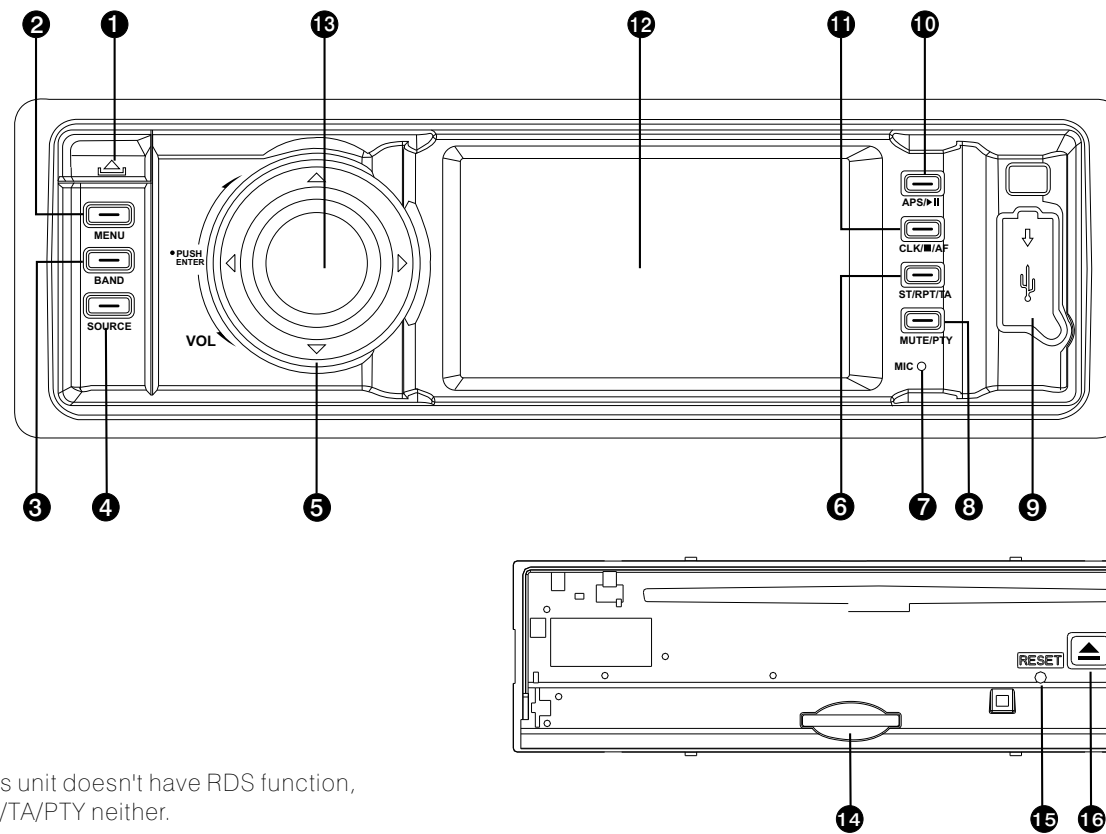
- 1) Install the bracket
- 2) Bend over some slices to secure the installation of bracket inside of dash.
- 3) To avoid shake of the receiver, make sure to install the fixation strap behind the receiver.



REMOVE THE UNIT

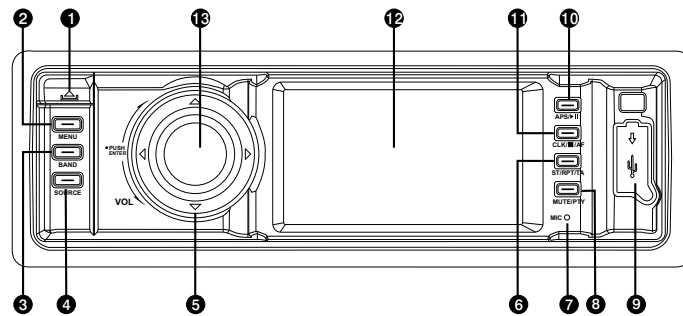
- Insert the keys into the small gaps in the right and left sides of the unit at the same time. Link the keys to the slices and then pull out the unit lightly to remove it from your car, and then pull out the connection plugs.

General Features



Note: This unit doesn't have RDS function, AF/TA/PTY neither.

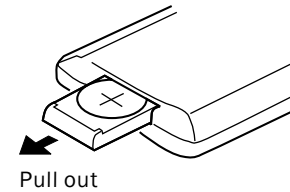
General Features



- 1 Remove Panel: Press [▲] to remove the panel.
- 2 MENU Button: System setting.
- 3 BAND Button: Band switch.
- 4 SOURCE Button : Play source switch.
- 5 Four Directions Button: Select the menu through up/down/left/right direction.
- 6 ST/RPT/TA Button: Sound track switch/Repeat/Traffic Broadcast.
- 7 MIC.
- 8 MUTE/PTY Button: Mute/Program style.
- 9 USB Port.
- 10 APS/▶|| Button: Play/Pause/Reception Scan.
- 11 CLK/■/AF Button: Clock/Stop/Reception Scan.
- 12 TFT-LCD screen.
- 13 VOL Button.
- 14 SD Slot.
- 15 Reset Button.
- 16 [▲] Button: To eject the DISC.

Remote Control

Loading and replacing the battery

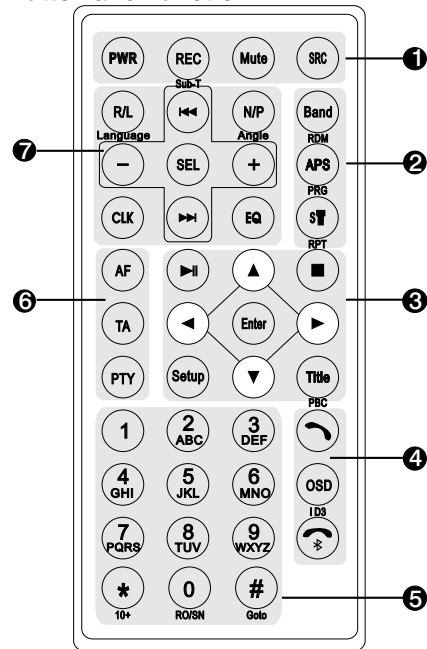


Notes of remote control using:

- 1) Aim the remote controller at the remote sensor on the unit.
- 2) Remove the battery from the remote control or insert a battery insulator if the battery has not been used for a month or longer.
- 3) DO NOT store the remote control under direct sunlight or in high temperature environment, or it may not function properly.
- 4) The battery can work for 6 months under normal condition. If the remote control can't work, please change the battery.
- 5) Use (button shaped) lithium battery (CR-2025) only.
- 6) DO NOT recharge, disassemble, heat or expose the battery in fire.
- 7) Insert the battery in proper direction according to the (+) and (-) poles.
- 8) Store the battery in a place where children cannot reach to avoid risk of accident.

Remote Control

■ Button and Function



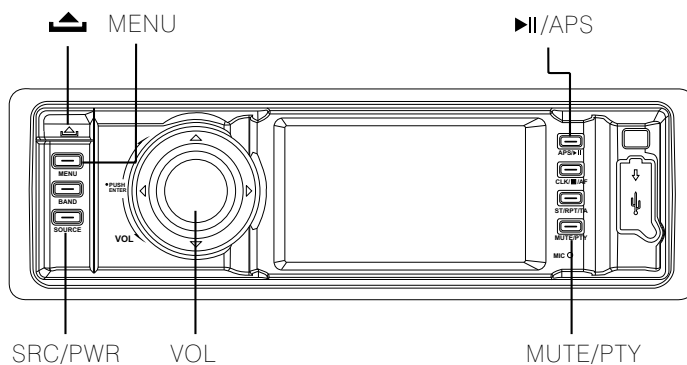
Note: Remote picture just for reference.

- ① [PWR] Button: Power
- [REC/Sub-T] Button: Transfer recording/Language switch
- [MUTE] Button: Mute
- [SRC] Button: Play source switch

- ② [BAND/RDM] Button: Band switch/Play randomly
- [APS/PRG] Button: Scan/Program
- [ST/RPT] Button: Stereo switch/Repeat
- ③ [▶|] Button: Play/Pause
- [■] Button: Stop
- [Setup] Button: Menu setting
- [Title] Button: Title Menu
- [ENTER] Button: Play/Confirm
- [▲][▼][◀][▶] Button: Up/down/left/right button
- ④ [📞] Button: Ring on
- [OSD/Id3] Button: Screen Display/Id3 information
- [📞] Button: Ring off
- ⑤ [0~9] Button: 0~9
- [GOTO] Button: GOTO search
- [RO/SN] Button: Radio scan
- ⑥ [AF] Button: Search stations automatically
- [TA] Button: Traffic broadcast
- [PTY] Button: Program style
- ⑦ [▶▶] Button: Forward/Next chapter
- [◀◀] Button: Rewind/Last chapter
- [+/-] Button: Increase/reduce volume
- [SEL] Button: System setting
- [CLK] Button: Clock display
- [EQ] Button: Sound effect
- [N.P/ANGLE] Button: Video switch/Angle Adjustment
- [R.L/LANGUAGE] Button: Left/right sound track switch
- dialogue language.

Note: This unit doesn't have RDS function, AF/TA/PTY neither.
This unit doesn't have bluetooth function, [📞]/[📞] neither.

Play operation



CLK/■

CLK: In reception state, press this button will display the time, but can not adjust the time. (Time adjust, turn to P12, system setting.)

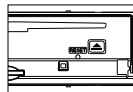
■: In the play mode, press [■] button once to pause, press it again to stop.

Note: If the unit does not have this function, please skip it.

Eject

EJECT: Press [▲] to eject the disc.

NOTE: About 10 seconds after the disc ejected, if not taken out, the disc will be absorbed in again.



PLAY/PAUSE

Play/pause: Press [APS/▶II] button to play or pause.

NOTE: Press [VOLUME] button can play too.

MUTE

Press this button to turn off volume and again to resume.

Note: If the unit does not have this function, please skip it.

SRC/PWR

Press [SRC] button shortly will turn the unit on. Hold [SRC] button down will turn the unit off.

NOTE: When the power is on, press [SRC] button will show the following picture, touch the certain icon to select the exact function needed.



NOTE: Gray icon can not use.

Press [SRC] button to switch the following if the unit is without touch function.



Volume

Increasing Volume:

- Rotate the VOL button in counterclockwise direction.

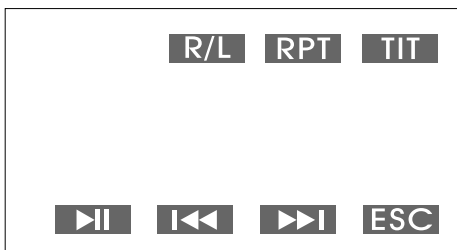
Decreasing Volume:

- Rotate the VOL button in anticlockwise direction.

Play operation

Insert DVD/VCD/CD disc, touchscreen will show menu as follows:

Note: Without touch function, with this display.



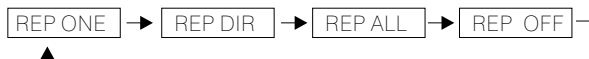
Note: Because the different situation of Disc REC, some of the CD-R, CD-RW, DVD-R, DVD-RW, DVD+R, DVD+RW Disc may can not be readed. And the Disc without final treatment can not be readed too. Regarding the final treatment, please make conference to the guide of REC set or REC manual.



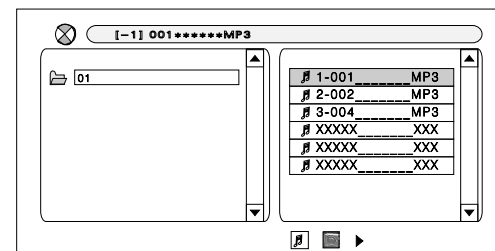
- **Select chapter or section:** In the DVD mode, press [◀/▶] to choose the last chapter; press [▶/▶] to choose the next chapter.
- **Forward:** Hold [▶/▶] button down;
- **Rewind:** Hold [◀/▶] button down.

Repeat

Repeat: In the play mode, press [RPT] on the screen or on the remote control to transit among the following status.



Insert MP3 disc, and TFT will show the menu as follows:



- In this menu, the menu on the right side is the sub-menu. You can press [▲] [▼] to button to select the file and items you like.

R/L

R/L: In VCD/CD/DVD mode, press [R/L] on the screen or remote control to switch among mono L mono R or stereo.

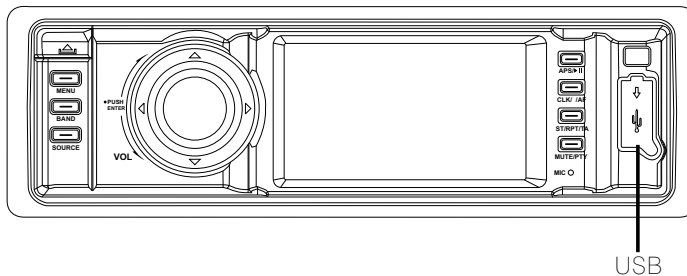
TIT

Title: In play mode, press [TIT] on the screen or remote control to back to the title menu, and re-select the items needed.

ESC

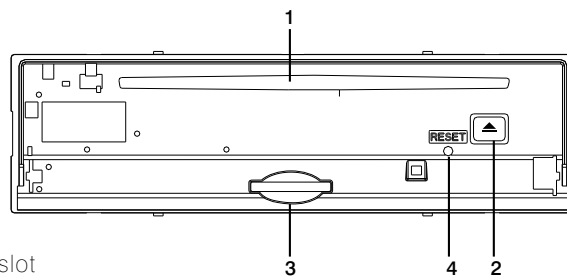
ESC: In play mode, press this button to exit the playing.

USB/SD operation



Inner panel:

Press the open button on the front panel to flip it down.



1. Disc slot
2. Eject button
3. SD card slot
4. RESET button

Inserting the USB device

- Insert the USB device into the USB slot on the front panel. Then the playing mode will be changed into USB mode automatically. The first USB device track playback will start.

Inserting the SD/ MMC card

- Press the OPEN button on the panel.
- Remove the panel.
- Insert the SD/MMC card into SD/MMC compartment on the inner side. Then the playing mode will be changed into SD mode automatically. The first card track playback will start.

Play operation

PLAY/PAUSE:

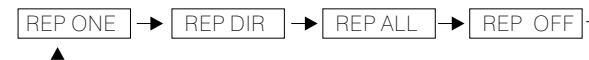
- Press [▶||] button to play or pause.

▶, ◀ Select:

- Under USB or SD play mode, press[◀ ▶] button to select tracks.

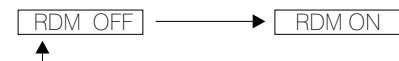
REPEAT:

- Press [ST/RPT] button to repeat the playing.



BAND:

- Press [BAND] button to play the disc randomly.



System setting

MENU

ENTER MENU: Press [MENU] button

Video mode:

VIDEO	AUDIO	SYSTEM
BRIGHT		13
COL		14
CONTRAST		14
TINT		15
VMODE	STAN	

[-] [+] [ESC]

Audio mode:

Video	Audio	System
BASS		0
TREBLE		
BALANCE		0
FADER		0
EQ		NORM

[-] [+] [ESC]

System mode:

Video	Audio	System
LOUD		OFF
BEEP		ON
TOPIC		GREEN
TIME DISP		OFF
TIME ADJ		00:00

[-] [+] [ESC]

Menu operation

Clicks on the menu option
Press [+ -] to adjust.
Press [ESC] to confirm and exit.

Menu operation

Clicks on the menu option
Press [+ -] to adjust.
Press [ESC] to confirm and exit.

Menu operation

Clicks on the menu option
Press [+ -] to adjust.
Press [ESC] to confirm and exit.

Video setup

- Bright Color Contrast Tint

- Vmode

```

STAN  →  USER
  ↑      ↓
BRIG ←  SOFT
  
```

Audio setup

- Audio setup Bass Treble Balance Fader setup between 0~14.

- EQ setting

```

NORM  →  ROCK
  ↑      ↓
CLAS ←  POP
  
```

System setup

- Loud ON and OFF

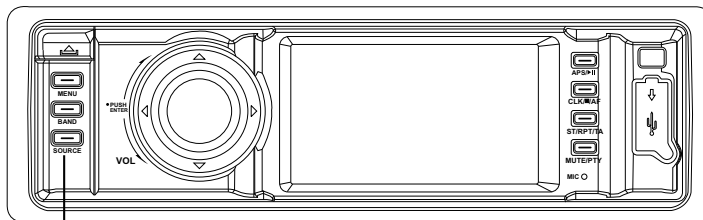
- Beep ON and OFF

- TOPIC: can set the receive topic as RED /YELLOW BLUE /GREEN .

- Time Display ON and OFF

- Time Adjust press [+] or [-] button to select hour/minute then press [+] or [-] button to setup.

TV tuner



SOURCE

TV tuner

Preparation:

- To receive TV broadcasts, install the TV antenna.
- For receiving TV broadcasts, stop your car where there is no obstacle to broadcast reception around.

TV Scanning:

- Press [SRC] button or touch [AMS] can scan and store TV program automatically.

Channel Search

- Press the [APS] button can search and store TV station automatically.

Channel Selection

- [▶] (CHANNEL):up
- [◀] (CHANNEL):down

Direct Channel Selection (Only for remote control)

- Enter a channel number by pressing [0]to[9].

Without touch function, without these icons.



Note: If the unit does not have this function, pls skip this page.

Bluetooth

The Bluetooth is wireless mode of transmission in short distance. Through Bluetooth function, the DVD unit establishes connection with Bluetooth handset. And then, these units can realize mutually controlling and file transferring.

Choose the Bluetooth Mode

Method :

A: Press the [SOURCE] button, to return to main menu..

B: Exhales the main menu, choose the Bluetooth to enter the Bluetooth mode. NO.1

Working mode of Bluetooth

Bluetooth has the following functions:

A: Paring
Make DVD Bluetooth function as handset's facility through pairing.

B: Connecting
After connecting with the handset, you can operate the mobile phone through DVD unit (such as H,F, call, call record etc.)

Paring

Phone set pairing step as follows:

A: Turn on Bluetooth, then touch On/Off icon to turn on this function. NO.2

B: Turn on handset's Bluetooth function .

C: When the mobile phone set finds the signal, input pairing number. Initial Pairing Code No. 0000

D: After pairing, TFT screen shows pairing succeed and quit the pairing.



NO.1



NO.2

Bluetooth

Making phone call

After connecting, you can make phone call through remote control, touch screen or phone numbers record.

A: Making mobile phone call

After making phone call, the screen will display making phone call.

B: Making touch screen call

Input the numbers on the screen, press [←] icon can correct the numbers;

Press [📞] icon to make phone call;

Press [📞] icon to cancel or hang up.



Answering

Answering function operate as follows:

A: After connecting, the unit can use the telephone function.

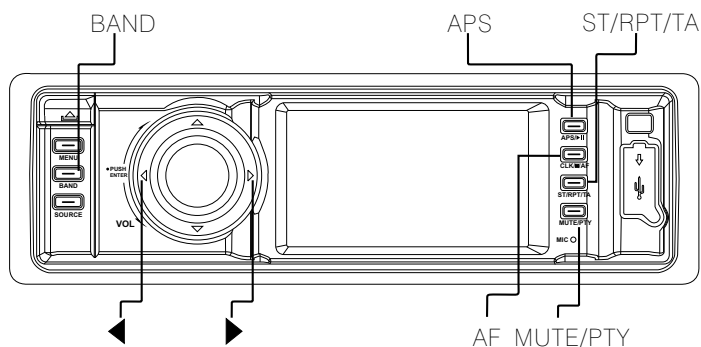
B: When there is a phone call, the Bluetooth will switch to phone function and display the calling number.

C: Touch Transfer icon can switch to phone answer mode. Touch it again can return to Bluetooth function of the unit.



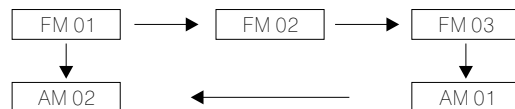
Note: If the unit does not have this function, pls skip it.

Radio Operation



BAND

- Press BAND button to select among three FM or two AM bands. (FM1-FM2-FM3-AM1-AM2)



ST

Stereo

- Press [ST] button, switch between [MO] and [ST]. While receiving the signal, [ST] back light turns blue.

Loc/DX

- Long press [ST], switch between LOC and DX.

Note: If the unit does not have this function, please skip it.

Band tuner

Manual tune:

- Long press [▶] button can adjust to higher frequency.
- Long press [◀] button can adjust to lower frequency.

Automatically tune:

- Short press [▶]/[▶] button can search higher frequency and stop when get one, long Press [▼]/[▲] button can store the station.
- Short press [◀]/[◀] button can search lower frequency and stop when get one, long Press [▼]/[▲] button can store the station.

AS/PS

Search Stations

- Long press [▶II/APS] button for more than 3 seconds can search stations and store them in 1-6, FM1, FM2, FM3 and Am1, Am2 automatically.

Scan Stations

- Press [▶II/APS] button can scan and play every stored station for about three seconds, if you want to listen to the recently station, pls press the button to stop scanning.
- 6 stations can be stored in each FM1, FM2, FM3 and Am1, Am2 at most.

Select Stations

- Press [▲] or [▼] button can select 1-6 stations.

Radio Operation

AF(Alternative Frequency)

- Turn "AF", the unit will switch to the stronger signal of the same station automatically.

TA(Traffic announcement)




- Press TA, the unit will prior to seek the traffic information. If the machine receives the traffic information, it will choose this signal and quit other radio signal or CD program. If press TA again, other program will recover and the traffic information program will quit.


PTY(Program type)

- Turn on PTY , then press PTY and 1-6 buttons to choose one certain program style . After this, the unit will scan the same style programs automatically. Such as select News programs. The unit will only scan News programs. Among AF, TA and PTY, TA has the absolute priority to be chosen.

Note: If the unit is without RDS function, pls skip this page.

Accessories

External view Number of items	External view Number of items
① 1	③ 1
② 2		

 The use of any accessories except of those provided might result in damage to the unit .Make sure only to use the accessories shipped with the unit ,as shown above.

Troubleshooting

What appears to be trouble is not always serious. Please check the following points before calling a service center.

Familiar characters and their meanings

Characters	Causes	Remedies
NO Disc	Disc is too dirty.	Clean the disc or change the disc.
	Disc is inserted upside down.	Insert the disc correctly.
	No disc in the unit.	Insert a disc.
Bad Disc	Disc is extreme dirty.	Clean the disc or change the disc.
	Disc is inserted upside down.	Insert the disc correctly.
Unkown Disc	The disc is not compatible with the unit.	Clean the disc.
Region Error	The disc's region code is not the same as the unit's.	Clean the disc.

Troubleshooting

General problems

Symptoms	Causes	Remedies
The unit cannot be powered on.	The fuse of the unit has been broken.	Install a new fuse with correct rating.
	The fuse of car battery has been broken.	Install a new fuse with correct rating.
	False operations and etc.	Reset the unit.
Remote controller does not work.	Battery has been exhausted.	Change the battery.
	Battery is not installed correctly.	Install the battery correctly.
No sound comes out or it's hard to hear.	Audio output connection is not correct.	Correct the connection according to(Electrical Connections Overall Diagram).
	The volume level is set to the minimum level.	Adjust the volume to the optimum level.
	The speakers have been damagedl.	Check the speakers.
	The audio channel outputs are not balanced.	Adjust the balance of audio channel outputs. Please refer to (Audio control).
	The speaker cord is contacted with the bodywork.	Use insulating cord for connection.
Poor sound quality or sound distortion.	Piratic disc is used.	Use original copy disc.
	The speakers power rating does not fit into the unit output power.	Change the speakers.
	The speakers are connected incorrectly.,	Correct the connection according to(Electrical Connections Overall Diagram).
	The speaker cord is contacted with the bodywork.	Use insulating cord for connection.
User preset information is lost when ACC is off.	ACC and BATT are connected incorrectly.	Correct the connection according to(Electrical Connections Overall Diagram).

Troubleshooting

TFT Monitor

Symptoms	Causes	Remedies
No image appears on the monitor and warning information is shown at all times.	Incorrect connection of Breaking wire.	Correct the connection according to (Electrical Connections Overall Diagram).
Abnormal display like as pulsatile stripes on the image and on.	The color system of DVD disc is not suited with the monitor.	Adjust the color system of the DVD disc or the monitor.
	The actual color system is not the same as the marked color system on the label for some piratic discs.	Use original copy disc.
	The video cord is broken.	Change the video cord.
	The video cord is not connected correctly.	Connect the video cord correctly.
Characters are abnormal.	False operations.	Turn off the power and then turn on the power again, or change to other playing source and then go back.

Troubleshooting

Radio Tuner

Symptoms	Causes	Remedies
It's hard to receive stations.	Auto antenna is not extended completely.	Correct the connection according to (Electrical Connections Overall Diagram).
	Auto antenna is not connected with the unit firmly.	Correct the connection according to (Electrical Connections Overall Diagram).
	LOCAL function is on.	Close the LOCAL function.

Mp3 playback

Symptoms	Causes	Remedies
Disc cannot be played back.	Disc is scratched.	Change the disc.
	Disc is too dirty or wet.	Clean the disc.
	The pickup is dirty.	Clean the pickup with cleaning disc.
	Disc is inserted upside down.	Insert the disc correctly.
Interruption occurred during playback.	Disc is scratched.	Change the disc.
	Disc is too dirty or wet.	Clean the disc.
	Some contents are damaged.	Change the disc.
	Disc is not recorded correctly.	Record the disc again.
MP3's name cannot be displayed correctly.	The name of Mp3 is not regular.	Use the regular characters.

Troubleshooting

DVD player

Symptoms	Causes	Remedies
Disc cannot be inserted.	There is a disc in the unit already.	Eject the disc then insert another one.
Disc cannot be played back.	Disc is scratched.	Change the disc.
	Disc is too dirty or wet.	Clean the disc.
	The pickup is dirty.	Clean the pickup with cleaning disc.
	Disc is not compatible with the unit.	Change the disc.
	Parental lock class is too high.	Change the parental lock class.
	Disc is inserted up side down..	Insert the disc correctly.
	The disc 's region code is not the same as the unit 's.	Change the disc.
Subtitle cannot be shown.	There is no subtitle file in the disc.	Change another disc containing subtitle files.
Audio language/subtitle cannot be changed.	There is only one audio language/subtitle in the disc.	Change another disc containing multi-language audio or subtitle.
View angle cannot be changed.	There is just one view angle in the disc.	Change another disc containing multi-angle.
	Multi-angle view is not available for the segment playing back now.	Select another segment to play back.
Image distortion.	The disc is protected by the copyright.	The unit is compatible with copy system; hence some discs contained the information of copying prohibited cannot be played back.
PBC is invalid when playing back VCD.	The disc does not support PBC.	Change another disc with PBC function.
Repeat playback or GOTO search is invalid when playing back VCD.	PBC is on..	Close PBC function.

Specifications

Specifications subject to change without notice.

DISPLAY UNIT

Liquid crystal panel.....3.0 inches
 Panel weight.....157g
 Number of pixels.....22,4640 pixels
 Display method.....Transparent color filter format
 Drive method.....LTPSTFT
 Light source.....internal light
 (built-in small fluorescent lamp)

GENERAL

Operating power.....12 Volts DC, negative
 ground
 %10THD output wiring.....Designed for using four
 speakers only front and rear
 channels cannot be combined
 in use with 2speakers.
 Load impedance.....compatible 4 to 8 ohm
 speakers
 Fuses.....10 amp
 Dimensions..... 187mm(L)x170mm(W)x50mm(H)
 Weight.....1.92Kgs

RECEIVING FREQUENCY FIGURE

AREA	BAND	FREQUENCY RANGE HZ	Auto Stepping KHZ	Tiny Stepping KHZ
EUROPE	FM	87.5-108.0M	100	50
	AM	522-1620K	9	9
AMERICA	FM	87.5-107.9M	200	200
	AM	530-1710K	10	10
SOUTH AMERICA	FM	87.5-108.0M	100	100
	AM	520-1620K	10	10
RUSSIA	FM1 2	87.5-108.0M	100	50
	FM3	65.0-74.0M	10	10
	AM	522-1620K	9	9

1 Year Limited Manufacturer Warranty -

XO Vision warrants to the original retail purchaser of this product that should this product have any defect, under normal conditions, such defect(s) will be repaired or replaced with new or reconditioned product (at the Company's option) without charge for parts and repair labor.

If said product is out of stock, XO Vision has the option to replace it with a similar product or issue a refund at our discretion. This warranty only covers manufacturer defects and must be returned to company in original condition. Proof of Purchase is required. This Warranty does not cover the costs incurred for installation, removal, product damages (i.e. discs, tapes, etc.) or reinstallation of the product.

This warranty is void if company deems the unit to have been damaged through modification, improper installation, negligence, misuse, or tampering with the Serial number and/or bar code of the unit. This warranty is a limited warranty for repair/replacement of product if it falls under the above conditions. XO Vision is never responsible for more than the purchase price of the product.

XO Vision encourages customers to contact the retailer first and only then contact XO Vision for warranty support.

Customer is responsible for shipping the product to us; we cover shipping back to the customer.

If you are having trouble with your unit, please email us at: CustomerService@XOVision.com

In your email, please include the model number, date and place of purchase and the problem. Thank you for purchasing XO Vision.

OWNER'S MANUAL

Before installation and operating the unit please read
this manual thoroughly and retain
it for future reference

Free Manuals Download Website

<http://myh66.com>

<http://usermanuals.us>

<http://www.somanuals.com>

<http://www.4manuals.cc>

<http://www.manual-lib.com>

<http://www.404manual.com>

<http://www.luxmanual.com>

<http://aubethermostatmanual.com>

Golf course search by state

<http://golfingnear.com>

Email search by domain

<http://emailbydomain.com>

Auto manuals search

<http://auto.somanuals.com>

TV manuals search

<http://tv.somanuals.com>