

# Battery Temperature Sensor Installation Instructions

975-0193-01-01  
Revision A

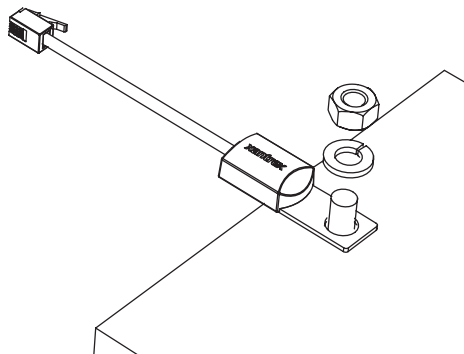
Additional Battery Temperature Sensors (Part #: 808-0232-01) can be installed on your XC Series or BC Series battery charger. Xantrex recommends that you install Battery Temperature Sensors on all banks to protect your batteries and to provide optimal charging of each bank. See the label on the outside of the package for other Xantrex products compatible with this battery temperature sensor.

## Installing Battery Temperature Sensor

### To install a BTS:

1. Switch off all devices operating from the battery.
2. Connect the ring terminal on the sensor directly to the negative battery stud, or use the adhesive backing on the sensor back to attach the sensor to any side of the battery to be monitored.

Xantrex recommends you mount the sensor directly on the battery stud as it will be more reliable against vibration and will provide a good thermal connection to the battery as well.



3. Route the sensor cable to the charger and plug it into the Bank 1 (default if using only one BTS), Bank 2 or Bank 3 connector on the rear panel. It may be advantageous to temporarily apply a layer of tape around the connector to protect its locking tab from catching on something during pulling and routing.

### **Notice of Copyright**

Battery Temperature Sensor Installation Instructions © January 3rd, 2005 Xantrex International. All rights reserved.

### **Warranty**

This product has a 24 month limited warranty from the date of first sale which covers defects in workmanship and materials. Retain proof of purchase. For full details on this limited warranty visit our website at [www.xantrex.com](http://www.xantrex.com) or call 1-800-670-0707. It is important that you read the limited warranty as it restricts your legal rights. If you are not satisfied with the limited warranty you may return this product to Xantrex with 30 days of the date of purchase for a full refund.

### **Date and Revision**

January 3rd, 2005 Revision A

### **Part Number**

975-0193-01-01

### **Contact Information**

Phone: 1 800 670 0707 (toll free North America)  
+34 93 470 5330 (Europe)  
1 360 925 5097 (direct and rest of world)

Fax: 1-800 994 7828 (toll free North America)  
+34 93 473 6093 (Europe)  
1 360 925 5143 (direct and rest of world)

Email: [customerservice@xantrex.com](mailto:customerservice@xantrex.com) (North America)  
[support.europe@xantrex.com](mailto:support.europe@xantrex.com) (Europe)  
[customerservice@xantrex.com](mailto:customerservice@xantrex.com) (rest of world)

Web: [www.xantrex.com](http://www.xantrex.com)

## Free Manuals Download Website

<http://myh66.com>

<http://usermanuals.us>

<http://www.somanuals.com>

<http://www.4manuals.cc>

<http://www.manual-lib.com>

<http://www.404manual.com>

<http://www.luxmanual.com>

<http://aubethermostatmanual.com>

Golf course search by state

<http://golfingnear.com>

Email search by domain

<http://emailbydomain.com>

Auto manuals search

<http://auto.somanuals.com>

TV manuals search

<http://tv.somanuals.com>