

Xerox CopyCentre/WorkCentre 118

Automatic Document Feeder Installation Guide

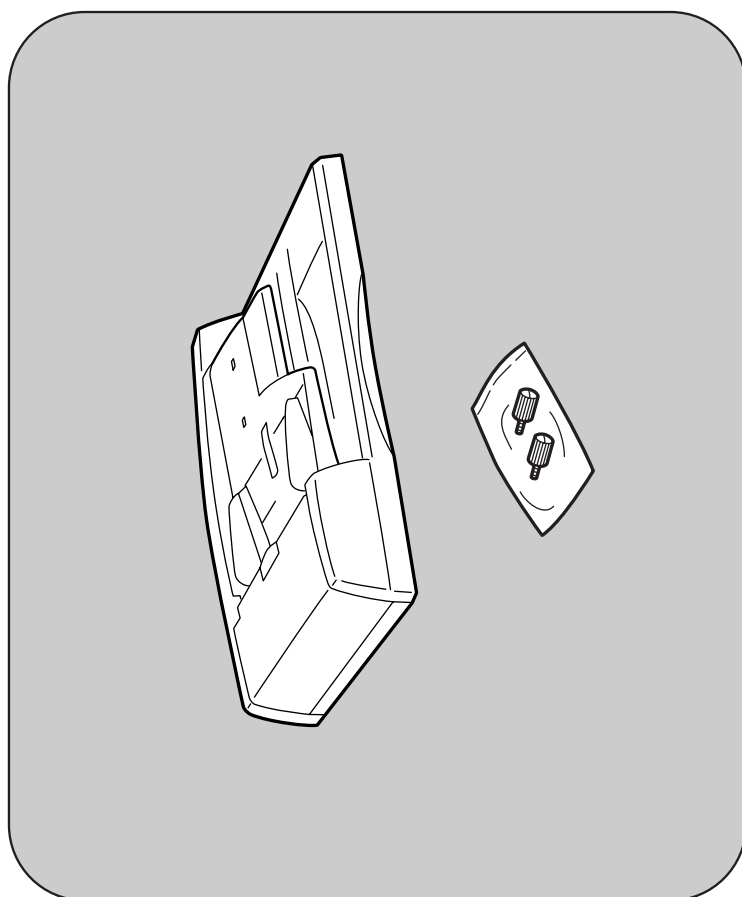
Guide d'installation du chargeur automatique de documents

Guida all'installazione dell'alimentatore originali

Installationsanleitung - Vorlageneinzug

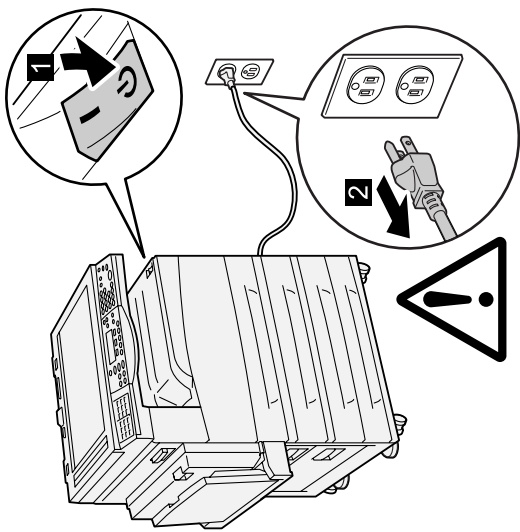
Guía de instalación del alimentador automático de documentos

Guia de Instalação do Alimentador de Originais

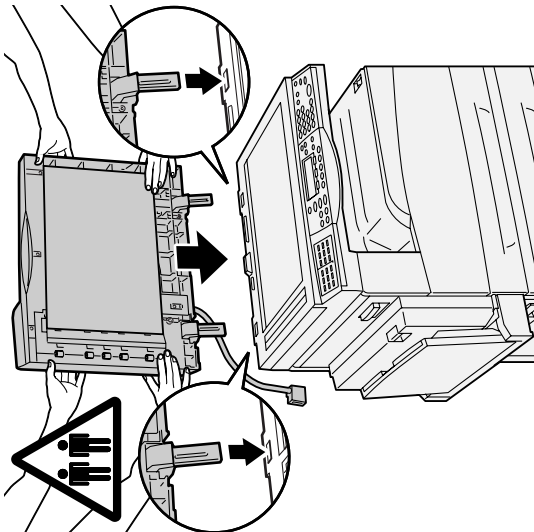


MO3098Y6-1
ND-100163(E)
March, 2004 ISSUE 1

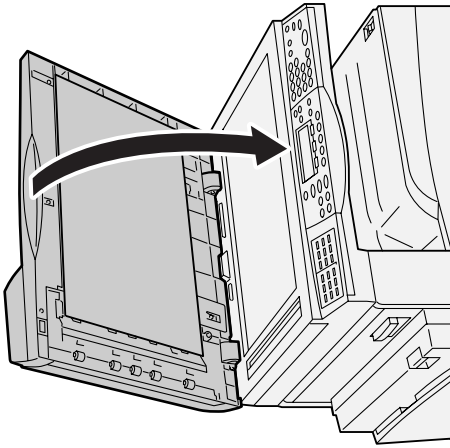
1



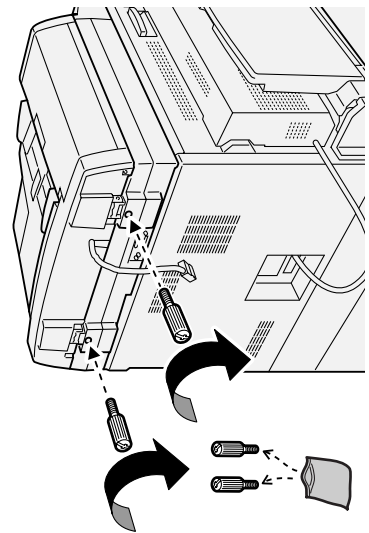
2



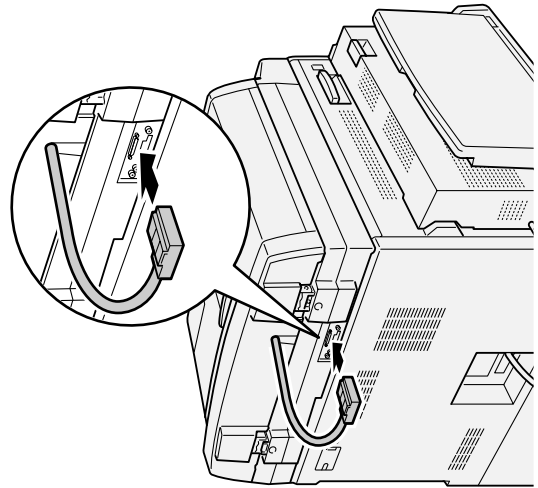
3



4



5



Free Manuals Download Website

<http://myh66.com>

<http://usermanuals.us>

<http://www.somanuals.com>

<http://www.4manuals.cc>

<http://www.manual-lib.com>

<http://www.404manual.com>

<http://www.luxmanual.com>

<http://aubethermostatmanual.com>

Golf course search by state

<http://golfingnear.com>

Email search by domain

<http://emailbydomain.com>

Auto manuals search

<http://auto.somanuals.com>

TV manuals search

<http://tv.somanuals.com>