

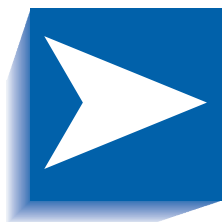
***The Xerox
DocuPrint P1202
Personal Laser Printer***

Reference Guide

Xerox Corporation
800 Phillips Road
Webster, NY 14580
United States of America

Xerox Europe
Channels Group
Bessemer Road
Welwyn Garden City
Herts AL7 1HE
United Kingdom

© 1999 Xerox Corporation. Xerox®, The Document Company®, the stylized X, DocuPrint, and the identifying product names and numbers herein are trademarks of Xerox Corporation. Xerox Canada Ltd. and Xerox Europe are licensees of all the trademarks. Copyright protection claimed includes all forms and matters of copyrightable materials and information now allowed by statutory or judicial law or hereinafter granted, including without limitation material generated from the software programs which are displayed on the screen such as icons, screen display tools, etc. Product names used in this guide may be trademarks or registered trademarks of their respective companies and are hereby acknowledged. All non-Xerox brands and product names are trademarks or registered trademarks of their respective companies.

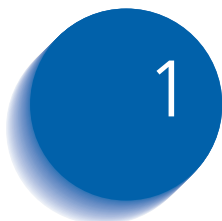


Contents

Chapter 1	Introduction	1-1
	Overview.....	1-2
	Printer Components.....	1-3
	Printer Features.....	1-5
	Printer Documentation.....	1-6
	Using the CD-ROM.....	1-7
	Note, Caution and Warning Symbols	1-8
Chapter 2	Additional Printer Setup Information	2-1
	Connecting to the Computer.....	2-2
	Installing Optional Software	2-3
	Installing the PostScript PPD.....	2-4
Chapter 3	Additional Print Media Information	3-1
	Selecting Print Media.....	3-2
	Media Sizes and Capacities	3-3
	Basic Guidelines.....	3-4

Chapter 4	Printing	4-1
	<i>Printing in Windows</i>	4-2
	<i>Configuring the PCL Drivers</i>	4-3
	<i>Selecting Your Printer</i>	4-3
	<i>Setting Properties</i>	4-4
	<i>PCL 6 Driver Features</i>	4-5
	<i>Manual Duplex Printing</i>	4-7
	<i>Booklet Printing</i>	4-8
	<i>PostScript Driver Features</i>	4-9
	<i>Using Printer Utilities</i>	4-10
	<i>Remote Control Panel</i>	4-10
	<i>Status Monitor</i>	4-16
	<i>Xerox Font Manager</i>	4-16
Chapter 5	Maintaining the Printer	5-1
	<i>Cleaning the Printer</i>	5-2
	<i>Cleaning the Outside</i>	5-2
	<i>Cleaning the Inside</i>	5-3
Chapter 6	Troubleshooting	6-1
	<i>Solving Printing Problems</i>	6-2
	<i>Solving Print Quality Problems</i>	6-7
	<i>Solving PostScript Problems</i>	6-10
	<i>Obtaining Service</i>	6-11

Appendix A	<i>Environmental and Safety Considerations</i>	A-1
	<i>Introduction</i>	A-2
	<i>Quality Standards</i>	A-2
	<i>Laser Safety</i>	A-3
	<i>Ozone Safety</i>	A-4
	<i>Operational Safety</i>	A-5
Appendix B	<i>Printer Options</i>	B-1
	<i>Introduction</i>	B-2
	<i>Precautions</i>	B-3
	<i>Memory and PostScript SIMMs</i>	B-4
	<i>Serial/LocalTalk Card</i>	B-8
	<i>Paper Tray 2</i>	B-12
Appendix C	<i>Macintosh Setup and Printing</i>	C-1
	<i>Requirements for Printing</i>	C-2
	<i>Printing a Document</i>	C-3
Appendix D	<i>Language Codes</i>	D-1



Introduction

<i>Overview</i>	1-2
<i>Printer Components</i>	1-3
<i>Printer Features</i>	1-5
<i>Printer Documentation</i>	1-6
<i>Using the CD-ROM</i>	1-7
<i>Note, Caution and Warning Symbols</i>	1-8

Overview

In this chapter, you will become familiar with the features of your printer and learn where to locate specific printer parts.

Before you use your printer, make sure that you perform all of the setup steps outlined in the *User Guide* that came with your printer. For installation options not covered in the *User Guide*, refer to *Chapter 2: Additional Printer Setup Information* in this guide.

Recognizing that you may have special needs, Xerox offers several optional printer accessories to better meet your requirements. These are explained in detail in *Appendix B: Printer Options*.

Xerox, or your Xerox authorized reseller, may have provided some or all of these options. First verify your exact accessory options before proceeding further. If you see features described in this section that are not available with the printer and accessories you have, you can easily add them yourself. For more information, refer to *Appendix B: Printer Options*.

Printer Components

Use Figures 1.1 through 1.3 to identify the main components of your DocuPrint P1202.

Figure 1.1 Printer Components, Front View

Front View

- ❶ Face down output stacker
- ❷ Paper support
- ❸ Multi-Purpose Tray (MP Tray)
- ❹ Tray 1 (250 sheet)
- ❺ Tray 2 (250 sheet, optional)
- ❻ Control board cover
(provides access to SIMM slots for adding/removing additional memory)
- ❼ Control panel
- ❽ Paper level indicators

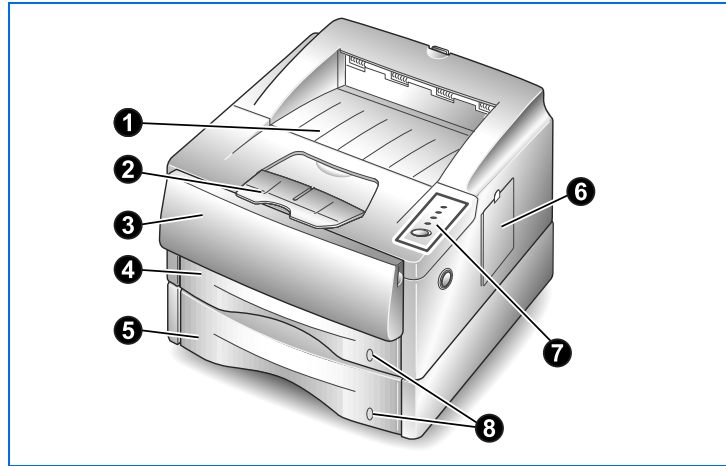


Figure 1.2 Printer Components, Inside Front View

Inside Front View

- ❶ Top cover
- ❷ Laser print cartridge
- ❸ Serial number
- ❹ Top cover release button

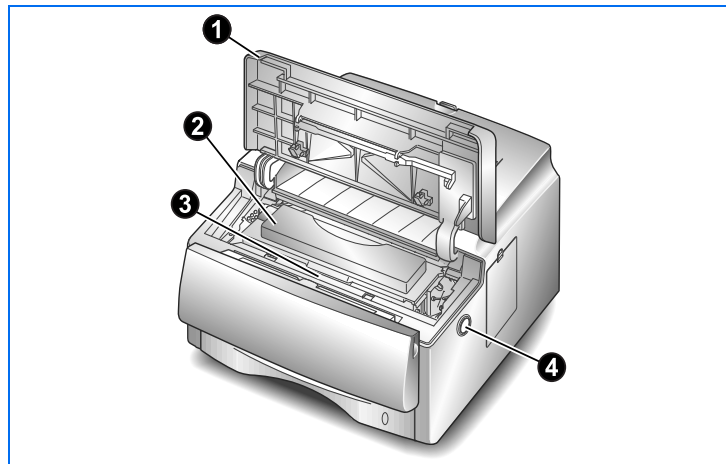
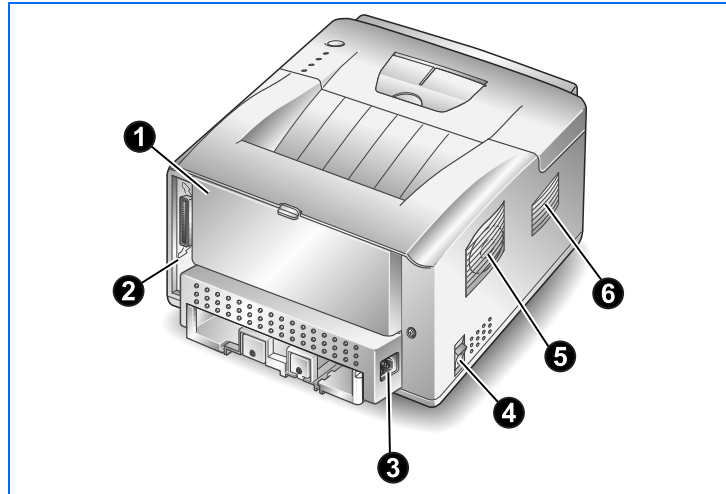


Figure 1.3 Printer Components, Rear View

Rear View

- ❶ Rear cover (with face-up output stacker inside)
- ❷ Printer cable connectors
- ❸ Power cord connector
- ❹ Power switch
- ❺ Exhaust fan
- ❻ Cooling vent



Printer Features

Your Xerox DocuPrint P1202 is a compact, easy to use laser printer designed for the small office environment. It is designed to provide years of high quality, high performance printing.

This manual tells you how to set up, operate and maintain your new printer, and contains advice on how you can get the best performance from it. Please use this manual together with the documentation provided with your computer hardware and software.

The maximum print speed for the DocuPrint P1202 is 12 pages per minute. It offers true 600 x 600 dpi print resolution and 1200 dpi image quality. The printer features one 250 sheet paper tray and a 100 sheet multi-purpose tray. The printer understands PCL 6 and PCL 5e printer languages, and has an option for PostScript Level 2. Other options include a second paper tray, and a serial/LocalTalk interface board for Apple Macintosh compatibility.

Printer Documentation

Your DocuPrint P1202 is packaged with the following documentation and information:

- **User Guide**, which shows you how to get your printer up and running, and provides the basic information needed to use your printer.
- This **Reference Guide**, which provides you with all of the detailed information you will need to use, maintain, upgrade and troubleshoot your printer.
- **Warranty Information**, which you should fill out and return in order to receive all of the benefits of owning a Xerox laser printer.
- The **DocuPrint P1202 CD-ROM**, which contains the following:
 - **User Guide**
 - **Reference Guide**
 - **Printer Drivers**
 - **Remote Control Panel and Status Monitor**
 - **Xerox Font Manager**
 - **USB Port Driver**
 - **Adobe Acrobat Reader**
 - **PostScript PPD Files**



For the printer drivers contained on the CD-ROM, the majority of documentation is provided via the on-line Help included with the drivers. Features and functionality of the drivers are discussed in Chapter 4: Printing.

Since the CD-ROM contains so much information of importance, please ensure that you save it and keep it in a safe place.

Using the CD-ROM

The documentation on the CD-ROM is provided as a PDF file, which is opened in Adobe Acrobat Reader (provided on the CD-ROM if you do not already have it installed). This file contains hypertext links that enable you to jump from the Table of Contents or Index directly to the page where you are looking for information, as well as from page to page where information is cross-referenced. Simply move the cursor over a hypertext link and it changes to a pointing finger. Then click on the link to jump to the link's destination.

The PDF files also enable you to print the specific pages you need, rather than printing an entire chapter or manual.

The CD-ROM is provided with an installation booklet in its jewel case.

Note, Caution and Warning Symbols

Throughout this Reference Guide, several symbols are used to emphasize useful, important and critical information. They are as follows:



This symbol indicates particularly useful or helpful information about your printer.



This symbol indicates a caution against performing any action that may damage your printer or degrade performance.



This symbol indicates a warning against performing any action that may lead to physical injury.



2

Additional Printer Setup Information

<i>Connecting to the Computer</i>	2-2
<i>Installing Optional Software</i>	2-3
<i>Installing the PostScript PPD</i>	2-4
<i>Windows 95/98 and NT 4.0 Installation</i>	2-4
<i>Windows 3.1x Installation</i>	2-5
<i>Macintosh Installation</i>	2-6

Connecting to the Computer

Your printer can be connected to a Windows-based PC or to an Apple Macintosh computer (see the note, below). Refer to Table 2.1 for your connection options and the appropriate page in this guide for connection instructions.

Table 2.1 Interface options

Interface	Windows PC	Macintosh
Parallel	Yes	Not available.
USB	Yes*	Not available.
Serial†	Yes	Not available.
LocalTalk†	Not available.	Yes

* Windows 98 systems only.

† Requires installation of the optional Serial/LocalTalk interface board. Refer to *Appendix B: Printer Options* for installation instructions.



To print documents from a Macintosh computer, you must install the following optional printer accessories:

- *PostScript Level 2 option*
- *Additional memory SIMM (minimum 8 MB)*
- *Serial/LocalTalk interface board*

*If you do not have these accessories, contact your authorized Xerox dealer. Installation instructions for these options can be found in *Appendix B: Printer Options*.*

Once you have installed the required options and connected your printer, you will need to install the PostScript PPD file. This driver is provided on the CD-ROM that came with your printer. Installation instructions are provided in the section “Installing the PostScript PPD” (page 2-4).

Installing Optional Software

Included with your printer is a CD-ROM containing printer drivers for some of the most popular Windows software applications. To operate your printer, you must install a printer driver, which translates data from your application into data the printer understands. Please refer to the User Guide.

In addition, the CD-ROM shipped with your printer contains the **PostScript** Printer Description (PPD) files for Windows and Macintosh to allow PostScript printing.

Installing the PostScript PPD

Your Xerox DocuPrint P1202 CD-ROM contains PostScript printer description (PPD) files for both Windows 95/98/NT 4.0 and Macintosh.

Installing the PostScript printer driver may require the use of the operating system files on the original CD-ROM or diskettes that came with your system.

Using the PostScript printer driver requires installation of the PostScript option. Installation instructions for this option are provided in *Appendix B: Printer Options*.

Windows 95/98 and NT 4.0 Installation

- 1 Insert the **Xerox DocuPrint P1202 CD-ROM** into your CD-ROM drive.
- 2 Select **Start→Settings→Printers** from the Windows task bar.
- 3 Double-click the **Add Printer** icon, and follow the on-screen instructions.
- 4 Click on **Have Disk**, click **Browse**, then choose:
 - for Windows 95/98, **d:\XX\ps\win95_98**
 - for Windows NT 4.0, **d:\XX\ps\winnt**(where “d” is your CD-ROM drive letter and *XX* indicates the language code*, i.e. EN for English) and click on **OK**.
- 5 Continue following the on-screen instructions to complete the installation.

* Refer to Appendix D for language codes.



Windows 3.1x Installation

- 1 From the Control Panel, select **Printers→Add**.
- 2 From the list of printers, select “PostScript Printer.”
- 3 Click **Install**.
- 4 You may be asked to insert your Windows operating system disk (CD-ROM or diskette). If so, select the appropriate drive, then select your Win31 folder. Then click **OK**.

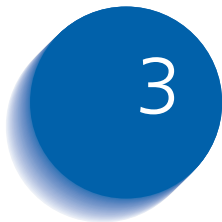


Use the standard Windows PostScript driver to print to the DocuPrint P1202. No PPD file is included.

Macintosh Installation

- 1 Make sure that the Macintosh and your printer are connected to each other with the proper cable. Turn on the Macintosh computer and printer.
- 2 Insert the **Xerox DocuPrint P1202 CD-ROM** shipped with your printer into your CD-ROM drive.
- 3 Open the CD-ROM icon.
- 4 Open the **XX** folder (where *XX* indicates the language code*), then open the **PS** folder, and then the **Mac** folder.
- 5 Drag and drop the docu1202.ppd file to the **Printer Descriptions** folder located inside the **Extensions** folder.
- 6 Open **Chooser** in the Apple menu.
- 7 Click on **LaserWriter8** (provided with your Macintosh). Then the name of your printer appears, **Xerox DocuPrint P1202**.
- 8 Click on the **P1202** printer.
- 9 Click on the **Setup** button.
 *If there is a **Create** button, click on it. The installation is completed, and you do not need to proceed with the following steps.*
- 10 Click on the **Auto Setup** button.
The Docu1202.ppd file will be installed automatically.
 *If **Auto Setup** does not complete successfully, click **Select PPD** and choose docu1202.ppd. If prompted for CD, click **Cancel**.*
- 11 Make sure the PPD file is installed correctly. Click on the **OK** button, then close **Chooser**.

* Refer to Appendix D for language codes.



Additional Print Media Information

<i>Selecting Print Media</i>	3-2
<i>Media Sizes and Capacities</i>	3-3
<i>Basic Guidelines</i>	3-4

Selecting Print Media

One of the most important things you can do to assure the best possible print quality from your printer is to select the correct paper. Your printer produces letter quality output on most plain bond papers, including cotton bond and photocopying papers; it does not require special papers. However, the print quality varies with different paper types. Be sure to test a small quantity of paper before you purchase a large quantity.

Media Sizes and Capacities

Table 3.1 shows the DocuPrint P1202 supported media sizes and input capacities.

Table 3.1 Supported Media Sizes and Capacities

Size	Input Source/Capacity*	
	Tray 1 or 2	MP Tray
Paper		
Letter (8.5 x 11 in.)	250	100
Legal (8.5 x 14 in.)	250	100
Executive (7.25 x 10.5 in.)	250	100
Folio (8.5 x 13 in.)	250	100
A4 (210 x 297 mm)	250	100
ISO-B5 (176 x 250 mm)	250	100
A5 (148 x 210 mm)	--	100
Envelopes		
Com-10 (4.125 x 9.5 in.)	--	10
Monarch (3.875 x 7.5 in.)	--	10
C5 (162 x 229 mm)	--	10
DL (110 x 220 mm)	--	10
B5 (176 x 250 mm)	--	10
Card stock†	--	10
Transparency film†		30
Labels†		20

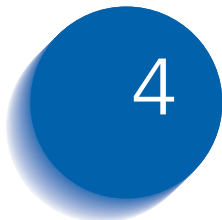
* Depending on paper thickness, maximum capacity may be reduced.

† If you are experiencing excessive jamming, feed one sheet at a time.

Basic Guidelines

When selecting or loading paper, envelopes, or other special media, keep these guidelines in mind:

- Attempting to print on damp, curled, wrinkled, or torn paper can cause paper jams and poor print quality.
- Use cut-sheet paper only. You cannot use multipart paper.
- Use only high quality, copier grade paper. Avoid paper with embossed lettering, perforations, or texture that is too smooth or too rough.
- Colored paper should be of the same high quality as white photocopy paper. The pigments must withstand the printer's fusing temperature of 400°F (205°C) for 0.1 second without deterioration. Do not use paper with a colored coating that was added after the paper was produced.
- Preprinted forms must be printed with nonflammable, heat-resistant inks that do not melt, vaporize, or release hazardous emissions when subject to the printer's approximately 400°F (205°C) fusing temperature for 0.1 second.
- Store paper in its ream wrapper until ready to use. Place cartons on pallets or shelves, not on the floor. Do not place heavy objects on top of the paper, whether it is packaged or unpackaged. Keep it away from moisture, or other conditions that can cause it to wrinkle or curl.



Printing

- Printing in Windows* 4-2
- Configuring the PCL Drivers* 4-3
 - Selecting Your Printer* 4-3
 - Setting Properties* 4-4
 - PCL 6 Driver Features* 4-5
- Manual Duplex Printing* 4-7
- Booklet Printing* 4-8
- PostScript Driver Features* 4-9
- Using Printer Utilities* 4-10
 - Remote Control Panel* 4-10
 - Status Monitor* 4-16
 - Xerox Font Manager* 4-16

Printing in Windows

The following procedure describes the general steps required for printing from various Windows applications. The exact steps for printing a document may vary depending on the application program you are using. Refer to your software application's documentation for the exact printing procedure.



To use your DocuPrint P1202, you must install a printer driver, described in the User Guide. The way you access the driver varies depending on the software programs you use.

To use the PostScript driver, you must install the PostScript option, described in Appendix B: Printer Options.

1 Start the program you are using to create the document, and open the document you want to print.

2 Select **Print** from the **File** menu. The Print dialog box appears.



Most Windows applications allow you to make changes to the print settings, such as number of copies, sequence of the pages, paper orientation, and margins.

If you go to the File→Print→Properties dialog box (In Windows 3.1x, the equivalent command is File→Print→Setup→Options), you'll access the printer driver's Print Setup dialog box, in which you can set other printer properties such as Manual Duplex, Images per Sheet, Booklet Printing, Watermarks or Overlays, available in the PCL 6 driver. See the section "Setting Properties" (page 4-4). When done, click OK to close the Print Setup dialog box.

3 After making any necessary changes to the print settings, click **OK** to start the print job.

Configuring the PCL Drivers

Selecting Your Printer

To use all of the features of your DocuPrint P1202, make sure the PCL 6 driver is selected as the default printer. When you install the printer driver, DocuPrint P1202 is automatically set as the default printer. If you use more than one printer, you can select the DocuPrint P1202 as the default printer as follows:

Windows 95/98/NT 4.0

- 1 Select **Start**→**Settings**→**Printers**.
- 2 Double-click **DocuPrint P1202 PCL 6**.
- 3 Select **Set As Default** from the **Printer** menu.
- 4 To set the printer's properties, select **Properties** from the Printer menu and change the settings as described in the section "*Setting Properties*" (page 4-4).

Windows 3.x

- 1 Double-click **Main** from the Program Manager. Then double-click **Control Panel**, then **Printers**.
- 2 Select **DocuPrint P1202 PCL 6**.
- 3 Click **Set As Default Printer**.
- 4 To set the printer's properties, click **Setup** and change the settings as described in the section "*Setting Properties*" (page 4-4).

Setting Properties

The DocuPrint P1202 printer driver's Print Setup dialog box allows you to set various printer properties.



Most Windows applications will override settings you specify in the printer driver. Change all print settings available in the software application first, and any remaining settings with the printer driver.

The DocuPrint P1202 PCL 6 Print Setup dialog box includes five tabs:

- Paper/Output
- Image Quality
- Overlays
- Watermarks
- About



To use the PCL 5e driver, follow the same instructions.

Watermarks are not available in the PCL 5e driver for Windows 95/98 and 3.1x.

Overlays and Watermarks are not available in the PCL 5e driver for Windows NT 4.0.



The basic capabilities of the printer driver are described here. For detailed explanations and assistance with specific settings, use the driver's Help functionality, accessed by clicking the Help button in the dialog box.

PCL 6 Driver Features

Paper/Output

Use this tab to change the number of copies, page orientation, paper size, paper source and output format.

Source setting identifies the default paper source. Tray 2 source is available if the optional Tray 2 is installed.

Manual Feed source is used when printing on special media. The default Auto Continue value of the printer is 15 seconds, meaning that the printer will wait up to 15 seconds for you to press the control panel button before printing. Afterwards the printer will attempt to print from whatever paper source is available. If the paper source is set to *Auto Select*, the printer automatically selects the print material according to the following priority: MP Tray, Tray 1, Tray 2.

If **Reverse Print Order** is selected, the job will be printed in reverse order, i.e. the last page printed is the first page of the document.

The **Images per Sheet** feature will print multiple pages of an electronic document onto one physical sheet. The driver has the following selections for this feature:

1-Up, 2-Up, 4-Up, 6-Up, 9-Up, 16-Up

For example, if you have a four-page electronic document and you select Images per Sheet to be *2-Up*, each physical sheet printed will contain 2 electronic pages per sheet.

For more information on **Manual Duplex Printing**, see the section. For more information on **Booklet Printing**, see the section.

Image Quality

Use this tab to change resolution and enhancement, graphic settings, graphic mode, grayscale, and graphic quality. It also includes settings that determine how the printer handles TrueType fonts.

Overlays

Use this tab to create and use overlays. Please see the on-line help in the PCL 6 driver to obtain more detailed help.

Watermarks

Use this tab to create, modify and delete watermarks. You can control the font size, font type and placement of watermarks. Please refer to the on-line help in the PCL 6 driver.

About

This tab shows the software version and copyright information.

Manual Duplex Printing

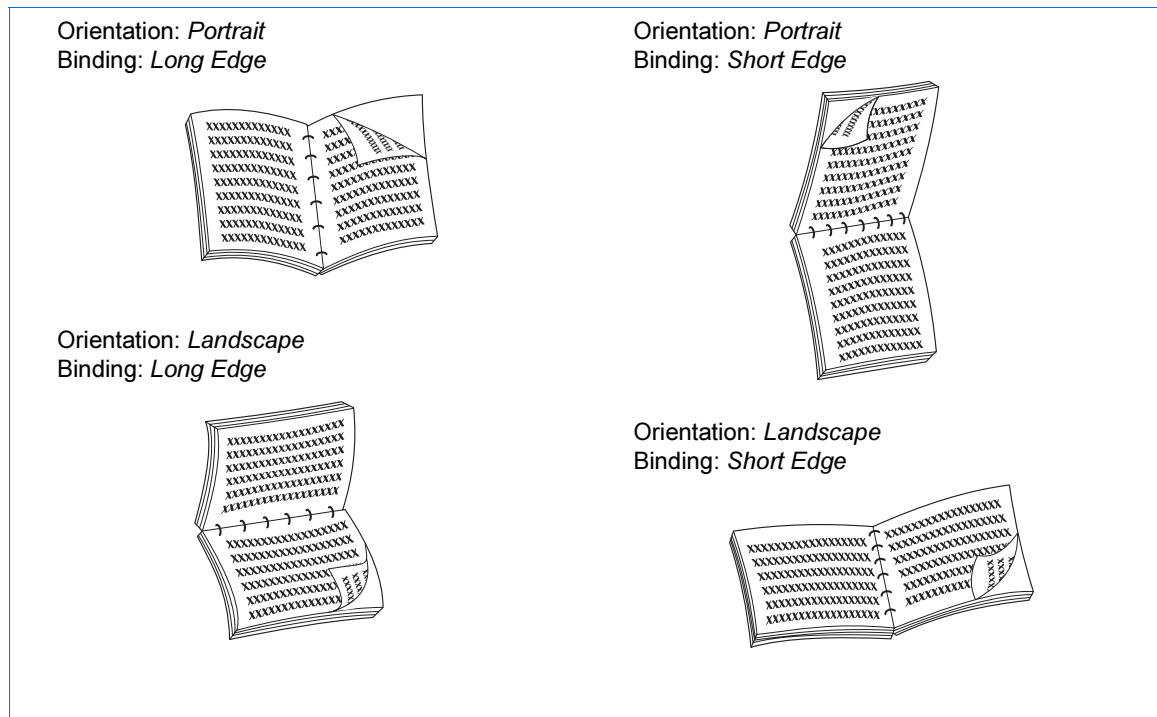
Your DocuPrint P1202 will print duplex (two-sided) pages by specifying duplex printing from the PCL 6 driver when you print from your applications.

This feature will also print an instruction sheet to assist you. To select this option, check **Instruction Page**. For more detailed information, refer to the on-line help.

You can print the first side on paper loaded in either Tray 1/2 or the MP Tray (stacked or manual feed), but the reverse side must be fed from the MP Tray.

Figure 4.1 shows proper paper orientation and binding direction for duplex print jobs.

Figure 4.1 Duplex Printing Orientation



Booklet Printing

Your DocuPrint P1202 PCL 6 driver gives you the capability to print your document in a booklet format. To perform booklet printing, follow these steps:

- 1** Ensure the P1202 PCL 6 driver is the default printer.
- 2** In the Windows application (for example, MS Word), in **File→Page Setup**, select one of the valid booklet formats available.
- 3** Create your document using this page setup.
- 4** Print the document to the P1202 using the PCL 6 driver.
- 5** In the driver properties, select:
 - Paper size to correspond to what was selected in Step 2.
 - Output format to **Booklet Printing**.
 - For more assistance, check **Instruction Page** under **Manual 2 Sided Printing**. This will generate an instruction page to aid in printing the second side. For more detailed information, refer to the on-line help.



Booklet Printing is a specialized form of duplex printing. Once the first side (side one) is completed, a dialog box will appear indicating to you to reinsert the sheets into the MP Tray. Once sheets have been reinserted in the MP Tray, click OK to complete printing.

PostScript Driver Features

Table 4.1 lists the features that can be set in the PostScript driver under each supported operating system.

Table 4.1 PostScript Driver Features

Feature	Macintosh	Win 95/98	Win NT 4.0	Win 3.1x
Paper Selection	Auto MP Tray1 Tray2 Manual	Auto MP Tray1 Tray2	Auto MP Tray1 Tray2 Manual	Tray1 Manual
N-up	Yes: 1, 2, 4, 6, 9, 16	Yes: 1, 2, 4	No	No
Resolution	300, 600	300, 600	300, 600	300
Image Enhancement	No	Yes	Yes	No
Toner Saver	No	Yes	Yes	No
Miscellaneous Graphics Options				
Print As Negative Image	No	Yes	Yes	Yes
Print as Mirror Image	No	Yes	Yes	Yes
Scaling	No	Yes	Yes	No

Using Printer Utilities

Your Xerox DocuPrint P1202 CD contains the following utilities, which can be installed when you install the printer drivers:

- Remote Control Panel
- Status Monitor
- Xerox Font Manager



*Remote Control Panel and Status Monitor can only be used when the printer is connected via the **parallel** interface. They are not supported through other connections.*

To access any of these programs, from Windows 95/98 or NT 4.0:

Select **Start→Programs→Xerox DocuPrint P1202 Utility**.

Remote Control Panel

The Remote Control Panel (RCP) is a program that allows you to set printer-specific settings in the printer. It also allows you to properly set up your printer to work with DOS applications which run inside the Windows MS-DOS Command Prompt window.



*After you change RCP settings, you must send it to the printer by pressing the **Send** button.*

The screen includes the following tabs.

PRINTING

Use this tab to control the following printer features:

- **Paper Size** sets the paper size.
- **Paper Source** sets the default paper source.
- **Copies** sets the number of copies printed for each page.
- **Quality** sets the printer resolution to either 300 or 600 dpi. The higher the setting, the sharper the clarity of printed characters and graphics.
- **Orientation** determines how the output is printed on the page.
- **Top Margin** sets the top margin of the print material.
- **Left Margin** sets the left margin of the print material.
- **Auto CR** sets how the printer performs a carriage return.

CONFIG

Use this tab to control the following printer features:

- **Power Save** determines the length of time the printer waits after a job is printed before it goes to a reduced power state. If the printer is used frequently, select *OFF* which keeps the printer ready to print with the minimum warm-up time. This uses more electricity to keep the printer warm and ready to print.
- **Econo Mode** determines the toner quantity the printer should use when printing. If set to *ON*, the printer conserves toner when printing. The default value is *OFF*, which provides 100% usage
- **Auto Continue** determines what action the printer should take when a manual feed print job is sent to the printer and there is no paper in the MP Tray. If set to *ON*, the printer will pick up the paper from Tray 1 after ten seconds. Otherwise, the printer will wait for you to load paper in the MP Tray.
- **Altitude** helps the printer optimize its output depending on the air pressure of the region. If you are close to sea level, it should be set to “Low.” If at a high elevation (1,500 m / 5,000 ft or higher), set it to “High.”
- **Jam Recovery** determines what action the printer should take when a paper jam occurs. When set to *OFF*, the printer does not reprint a page that has jammed. When set to *ON*, the printer keeps the image in memory for a printed page until the printer signals that the page has successfully printed. The printer reprints all jammed pages.

JOB

Use this tab to control the following printer features:

- **Timeout** determines the amount of time (in seconds) the printer will wait before printing the last page of a print job that does not end with a command to print the page or a formfeed character. Valid range is **0** to **300 seconds**.
- **Paper Type** provides the printer with information about the type of paper to be used for a print job. If you use paper with a weight of more than 42 lb. (90 g/m²), or an envelope, set this to **Thick** and use the MP Tray's manual feed slot. Otherwise use the **Normal** setting.
- **Toner Density** determines the overall density of the printed image. Valid selections are **Light**, **Medium** and **Dark**.
- **Image Quality** mode makes the printer optimize the print quality to 1200 dpi image quality.

INTERFACE

Use this tab to control the following printer features (when using the serial port only):

- **Baud rate (bps)** sets the rate at which data is being sent to or from the computer.
- **Robust XON** sets XON/XOFF pacing (if the handshaking protocol uses XON/XOFF pacing). When set to *ON*, the printer sends a continuous stream of XONs to the host computer to indicate that the serial port is ready to receive more data. An XON is sent every second as long as no data is received across the serial port in the last second, the last XON is accepted by the host computer, and the printer is ready to receive data from the serial port.

TEST

Use this tab to control the following printer features:

- **Configuration Page** prints the configuration sheet. A list of the user default settings, the installed options, and the amount of printer memory available prints.

PCL 5e

These settings are used by DOS applications. Be aware that Windows applications will override these settings.

- **Typeface** allows you to select the desired typeface. This setting is ignored when the software application specifies a font.
- **Symbol Set** determines the symbol set. A symbol set is a set of alphabetic and numeric characters, punctuation, and special symbols used when printing with a selected font.
- **Pitch** sets the font pitch (only if you have selected a scalable monospaced font). Pitch refers to the number of fixed-space characters in a horizontal inch of type.
- **Lines Per Page** sets the number of lines that print on each page. The setting can range from 1 to 225 lines per page.
- **Point Size** sets the font point size (only if you have selected a scalable typographic font). Point size refers to the height of the characters in the font. One point equals approximately 1/72 of an inch. You can select point sizes from 1 to 1008 in increments of 0.25 points.
- **Courier** determines the courier font type: *Regular* or *Dark*.
- **Font List** prints the font list showing all the fonts available for PCL emulation.

PS 2

This will allow printing of the PostScript font list (only available when the PostScript option is installed).

- **Font List** prints the font list showing all the fonts available for PostScript.

ABOUT

This tab shows the software version and copyright information.

Status Monitor

Status Monitor is a program that runs in the background and automatically displays a message on your computer screen whenever the printer status changes. This utility is available only in Windows 95/98 and 3.1x.

Xerox Font Manager

Xerox Font Manager is a font manager for Windows 95/98, Windows NT 4.0 and Windows 3.1x. It gives a quick and easy way to find fonts, install fonts, and print font samples.



Maintaining the Printer

<i>Cleaning the Printer</i>	5-2
<i>Cleaning the Outside</i>	5-2
<i>Cleaning the Inside</i>	5-3

Cleaning the Printer

This section contains some general guidelines for keeping your DocuPrint P1202 clean.



Do not use ammonia-based sprays or volatile solvents such as thinner to clean the printer, as these can damage the printer surface.



Keep the front cover closed when cleaning the outside of the printer.

Always unplug the power cord before cleaning the inside of the printer.

Cleaning the Outside

Wipe the outside surfaces of the printer with a soft, clean, lint-free cloth. You can dampen the cloth slightly with water, but be careful not to let any water drip onto the printer or inside it.

Cleaning the Inside

When paper jams occur, unfused toner on the paper can fall off the paper and build up inside the printer.

- 1 Unplug the power cord.
- 2 Remove the laser print cartridge.
- 3 Use a soft cloth to wipe away any dust and spilled toner from the cartridge.



You can dampen the cloth slightly with water, but be careful not to let any water drip onto the printer or inside it.

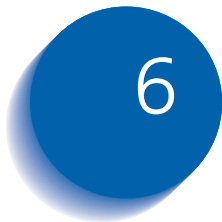
- 4 Reinsert the laser print cartridge.

Another method of cleaning is to use the built-in cleaning cycle.

- 1 Hold down the printer's control button for approximately 10 seconds until all lights remain steadily lit.
- 2 Release the control button.

The DocuPrint P1202 will produce a cleaning sheet.





6

Troubleshooting

<i>Solving Printing Problems</i>	6-2
<i>Solving Print Quality Problems</i>	6-7
<i>Solving PostScript Problems</i>	6-10
<i>Obtaining Service</i>	6-11

Solving Printing Problems

If you have any problems with the operation of your DocuPrint P1202, refer to Table 6.1 on page 6-3 for suggested remedies.



If you cannot solve a problem after carrying out the suggested remedies in this section, call the Xerox Helpline. See the section “Obtaining Service” (page 6-11).

Table 6.1 Printer Operation Problems

Problem	Possible Cause	Remedy
The printer does not print.	Your printer is not selected as the default printer.	Select DocuPrint P1202 PCL 6, P1202 PCL 5e, or P1202 PS as your default printer. See the section “ <i>Selecting Your Printer</i> ” (page 4-3)
	The top cover may be open.	Make sure that all covers are closed securely.
	The printer cable is not connected properly.	Check all connections.
	The printer cable is defective.	Swap the cable with one known to work. If printing is now possible, replace the bad cable.
	The port setting is incorrect.	Check the Windows printer settings to make sure that the print job is being sent to the correct port (for example, LPT1)
	The laser print cartridge is not installed properly.	Remove and reinsert the laser print cartridge.
	A paper jam has occurred.	Clear the paper jam.
	The printer may be configured incorrectly.	Check the application to make sure that all print settings are correct.
	The printer driver may be incorrectly installed.	Uninstall the printer driver, then reinstall the printer driver. Try printing a configuration sheet.

Table 6.1 Page 1 of 4

Table 6.1 Printer Operation Problems (continued)

Problem	Possible Cause	Remedy
Paper is not fed into the printer.	Paper has not been loaded correctly.	Remove the paper tray and reload the paper correctly.
	There is too much paper in the paper tray.	Remove some of the paper from the tray.
The printer ejects blank pages.	The laser print cartridge is out of toner.	Replace the laser print cartridge. See the User Guide.
Half of the page is blank.	The page layout is too complex.	Simplify the page layout and remove any unnecessary graphics from the document, if possible. Install more memory. See “Memory and PostScript SIMMs” (page B-4).
	The page orientation setting may be incorrect.	Change the page orientation in your application program.
	The paper size and the software paper size settings do not match.	Make sure the paper size in the software settings matches the paper in the tray.
	The printer cable specifications may be incorrect.	Parallel connection: Replace with an IEEE-1284 rated cable. Serial connection: Replace with standard 9-pin direct connection, one to one cable. USB connection: Replace with a compliant cable rated USB Specification Revision 1.0.

Table 6.1 Page 2 of 4

Table 6.1 Printer Operation Problems *(continued)*

Problem	Possible Cause	Remedy
The printer prints the wrong data, or it prints incorrect characters.	The printer cable is not connected properly.	Check the connection.
	There may be a problem with the printer driver software.	Exit Windows and reboot the computer. Turn the printer off and then back on again.
	The printer cable specifications may be incorrect.	Parallel connection: Replace with an IEEE-1284 rated cable. Serial connection: Replace with standard 9-pin direct connection, one to one cable. USB connection: Replace with a compliant cable rated USB Specification Revision 1.0.
	The wrong printer driver is selected.	Select the correct printer driver.
The paper keeps jamming.	There is too much paper in the paper tray.	Remove excess paper from the paper tray. If printing special media, use the MP Tray for printing.
	An incorrect type of paper is being used.	Use only paper that meets the specifications required by the printer.
	An incorrect output method is being used.	Items such as thick paper should not be printed using the standard face down stacker. Use the face-up output stacker instead.

Table 6.1 Page 3 of 4

Table 6.1 Printer Operation Problems (continued)

Problem	Possible Cause	Remedy
Printing is too slow.	If using Windows 3.1x, Print Manager may be disabled.	From the Control Panel Printers menu, check the Use Print Manager box.
	If using Windows 3.1x, the Background Printing item in the Options menu of Print Manager may be set incorrectly.	Select Background Printing from the Options menu in the Print Manager.
	If using Windows 95, 98 or NT, the spooling setting may be set incorrectly.	From the Start menu, select Settings and Printers . Click the DocuPrint P1202 icon with the right mouse button, select Properties , click the Details tab, and then click the Spool Settings button. Select the desired spool setting from the available choices.
	The computer may have insufficient random-access memory (RAM).	Install more random-access memory (RAM) in your computer. See “ <i>Memory and PostScript SIMMs</i> ” (page B-4).

Table 6.1 Page 4 of 4

Solving Print Quality Problems

If you have any problems with the printed output of your DocuPrint P1202, refer to Table 6.2 on page 6-8 for suggested remedies.



The causes listed in Table 6.2 are probable causes only, and may not represent all of the possible cases which may occur under actual operating conditions. If you experience a problem which does not seem to fall under any of the cases listed in this table, or if you are concerned about any other aspect of printer operation, contact the Xerox Helpline.

Table 6.2 Print Quality Problems

Problem	Possible Cause	Remedy
Irregular faded patches of print	There is a paper quality problem.	Use only paper that meets the specifications required by the printer.
	Toner may be unevenly distributed.	Remove the laser print cartridge and shake it gently to evenly distribute the toner. Then replace the cartridge back into the printer.
Black staining	There is a paper quality problem.	Use only paper that meets printer specifications. See the section “ <i>Selecting Print Media</i> ” (page 3-2).
	A laser print cartridge from another printer has been installed.	Always use the same laser print cartridge with the same printer. Using a cartridge that has already been used in another printer may not give satisfactory results.
	The printer requires a print quality adjustment.	Press and hold the control panel button for ten seconds until all lights remain steadily lit, then let go of the button. The printer will perform the print quality adjustment. After cleaning, one cleaning sheet prints.
Character voids	The paper may be too dry.	Try printing with a different batch of paper.
Background scatter	The paper may be too damp.	Try printing with a different batch of paper. Do not open packages of paper until necessary so that the paper does not absorb too much moisture from the air.
	Printing over uneven surfaces.	If printing onto envelopes, change your printing layout to avoid printing over areas that have overlapping seams on the reverse side.

Table 6.2 Page 1 of 2

Table 6.2 Print Quality Problems *(continued)*

Problem	Possible Cause	Remedy
Missing characters	The paper may be too damp.	Try printing with a different batch of paper. Do not open packages of paper until necessary so that the paper does not absorb too much moisture from the air.
Back of printout dirty	The transfer roller may be dirty.	Print a few blank pages to clean the transfer roller.
Incorrect fonts	TrueType fonts may be disabled.	Use the Fonts dialog box in the Remote Control Panel to enable TrueType fonts.
Faded graphics.	Toner may be low.	Remove the laser print cartridge and shake it gently to evenly distribute the toner. Then replace the cartridge back into the printer.

Table 6.2 Page 2 of 2

Solving PostScript Problems

Table 6.3 contains problems that may occur with PostScript printing (available only if the PostScript option is installed).

Table 6.3 PostScript Problems

Problem	Possible Cause	Remedy
PostScript file can not be printed.	The PostScript option may not be installed, or the installed memory may be insufficient.	Print a configuration sheet and verify that the PS version is available for printing, and that total system memory is at least 12 MB. If PostScript is not available, install the PostScript option. See “ <i>Memory and PostScript SIMMs</i> ” (page B-4). If system memory is not at least 12 MB, install an 8 MB SIMM.
Error messages are printed (i.e., “This job contains binary data...”)	The pure binary data option is not supported by the PostScript driver.	Open the Properties tab of the PostScript printer driver, click on PostScript , and click on the Advanced button. The pure binary data option is not supported. Choose another.
The printer name does not appear in the Chooser (Macintosh only)	The LocalTalk connection is not secure.	Make sure that the printer is powered on. Check that the LocalTalk cable is completely plugged into the printer and your Macintosh.
The optional Tray 2 is not selected in the driver.	The printer driver has not been configured to recognize the optional tray.	Open the PS driver Properties and set ‘Paper Tray 2’ item of Device option to <i>Installed</i> .

Obtaining Service

If you're unable to solve your printer problems, you may want to call the Xerox Helpline for service. Before you call, however, check these things:

- Is the power cord plugged into the printer?
- Is the power cord plugged directly into a wall outlet?
- Is your printer connected properly to your computer?
- Are all other devices attached to your printer plugged in and turned on?
- Is the wall outlet turned off by any switches?
- Has a power outage occurred in your area?
- Is a laser print cartridge installed in the printer?
- Is the cover closed completely?

Once you've checked all these things, turn your printer off and back on again. If your printer is still not operating properly, call for service.

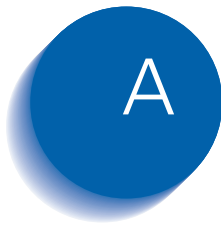


If the READY light is on, print out a configuration sheet by pressing and holding down the control panel button for about four seconds until all indicators blink briefly, then let go of the button.

The configuration sheet lists your printer model, any options you have installed, and your user default settings. The service representative will probably ask for this information.

Also write down the printer's serial number (see Figure 1.2 on page 1-3 for location).





Environmental and Safety Considerations

<i>Introduction</i>	A-2
<i>Quality Standards</i>	A-2
<i>Laser Safety</i>	A-3
<i>Ozone Safety</i>	A-4
<i>Operational Safety</i>	A-5

Introduction

The Xerox DocuPrint P1202 and its supplies are designed and tested to meet strict safety requirements. These include safety agency examination and approval, and compliance to established environmental standards.

Please read the following instructions carefully before operating the printer and refer to them as needed to ensure the continued safe operation of your Xerox DocuPrint P1202. The safety testing and performance of this product have been verified using Xerox materials only.

Follow all warnings and instructions marked on or supplied with the product.

Quality Standards

The Xerox DocuPrint P1202 is certified to EN60950. The equipment is manufactured under a BS5750 Quality system accepted by the British Standards Institution.

The Xerox DocuPrint P1202 is also certified in compliance with applicable standards by various national bodies.

Laser Safety

The Xerox DocuPrint P1202 complies with laser product performance standards set by governmental, national and international agencies as a Class 1 Laser Product. It does not emit hazardous radiation, as the beam is totally enclosed during all phases of customer operation and maintenance.

The use of controls, adjustments, or procedure other than those specified in the documentation might result in hazardous exposure to laser light.

The laser beam inside the printer is completely confined within the protective housings and external covers. The radiation emitted cannot escape from the machine during any phase of user operation.

The Xerox DocuPrint P1202 contains laser danger labels. These labels are intended for use by Xerox Service Representatives, and are placed on or near panels or shields that require special tools for removal. Do not remove any of these panels. There are no operator serviceable areas inside these covers.

For complete laser safety certifications, please refer to the User Guide.

Ozone Safety

During normal operation, the Xerox DocuPrint P1202 produces ozone. The ozone produced does not present a hazard to the operator. However, it is advisable that the machine be operated in a well ventilated area.

Operational Safety

The Xerox DocuPrint P1202 and its supplies were designed and tested to meet strict safety requirements. These include safety agency examination, approval, and compliance with established environmental standards.

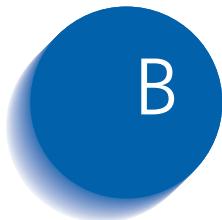
To ensure the continued safe operation of your Xerox DocuPrint P1202, follow these safety guidelines at all times.

- Follow warnings and instructions marked on or supplied with the equipment.
- Do not locate the Xerox DocuPrint P1202 near a radiator or any other heat source.
- Do not attempt any maintenance function that is not specifically described in the Xerox DocuPrint P1202 documentation.
- Use materials and supplies specifically designed for your Xerox DocuPrint P1202. The use of unsuitable materials may result in poor performance and possibly a hazardous situation.
- Do not remove the covers or guards that are fastened with screws.
- Do not operate the Xerox DocuPrint P1202 if you notice unusual noises or odors. Disconnect the power cord from the power source receptacle, and contact your Xerox Service Representative immediately.

- Use only the power cord supplied with your Xerox DocuPrint P1202.
- Do not use a ground adapter plug to connect the Xerox DocuPrint P1202 to a power source receptacle that lacks a ground connection terminal.
- Plug the power cable directly into a properly grounded electrical outlet. Do not use an extension cord. If you are not sure whether or not an outlet is properly grounded, consult an electrician.
- This product is equipped with a 3-wire grounding type plug (e.g., a plug having a third grounding pin). This plug will fit only into a grounding-type power outlet. This is a safety feature. To avoid risk of electrical shock, contact your electrician to replace the receptacle if you are unable to insert the plug into the outlet. Never use a grounding adapter plug to connect the printer to a power source receptacle that lacks a ground connection terminal.
- This printer should be operated from the type of power source indicated on the marking label. If you are not sure of the type of power available, consult your local power company.
- Your machine is equipped with an energy saving device to conserve power when the machine is not in use. The machine may be left on continuously.
- Do not place the Xerox DocuPrint P1202 where people might step or trip on the power cable.

- Do not place objects on the power cable.
- Do not place the printer on an unstable cart, stand or table. The printer may fall causing personal injury or serious damage to the printer.
- Do not override or disable electrical or mechanical interlocks.
- Do not obstruct ventilation openings. These openings are provided to prevent overheating of the machine.
- Do not push objects into slots and openings on the Xerox DocuPrint P1202. Contacting a voltage point or shorting out a part might result in electrical shock or fire.
- Never remove covers or guards that require a tool for removal, unless directed to do so in a Xerox approved maintenance kit.
- Never defeat interlock switched. Machines are designed to restrict operator access to unsafe areas. Covers, guards and interlock switches are provided to ensure that the machine will not operate with covers opened.
- Unplug the printer from the wall outlet before cleaning. Always use materials specifically designated for this printer. Use of other materials may result in poor performance and could create a hazardous situation.
- Do not use aerosol cleaners. Follow the instructions in this User Guide for proper cleaning methods.

- Never use supplies or cleaning materials for purposes other than what they were intended. Keep all supplies and materials out of reach of children.
- Avoid exposing the drum cartridge to light for extended periods of time.
- Do not touch the photoreceptor. Scratches or smudges that appear on the photoreceptor will result in poor print quality and may shorten the service life.
- Do not put your hands into the fuser are, located just inside the exit tray area, as you may be burned.
- Do not use this printer near water, wet locations, or outdoors.
- If any of the following conditions occur, turn off the Xerox DocuPrint P1202 power immediately. Disconnect the power cable from the electrical outlet. Contact an authorized Xerox Service Representative to correct the problem:
 - The Xerox DocuPrint P1202 emits unusual odors, or makes unusual noises.
 - The power cord is damaged or frayed.
 - Liquid is spilled into the Xerox DocuPrint P1202.
 - Any part of the Xerox DocuPrint P1202 is damaged.
 - The Xerox DocuPrint P1202 is exposed to water.



Printer Options

<i>Introduction</i>	<i>B-2</i>
<i>Precautions</i>	<i>B-3</i>
<i>Memory and PostScript SIMMs</i>	<i>B-4</i>
<i>Serial/LocalTalk Card</i>	<i>B-8</i>
<i>Paper Tray 2</i>	<i>B-12</i>

Introduction

Your DocuPrint P1202 is a full-featured laser printer that has been optimized to meet most of your printing needs. Recognizing that each user may have different requirements, however, Xerox makes several options available to enhance the printer's capabilities:

- PostScript, which enables your printer to use the PostScript printing language for text and graphics.
- Serial and LocalTalk ports, which enable your printer to interface with a Macintosh computer.
- Paper Tray 2, which extends your printer's paper handling capacity.

This appendix provides detailed installation instructions for each of these options.

Precautions



DISCONNECT THE POWER CORD:

Never remove the printer control board while the printer is plugged in.

To avoid the possibility of electrical shock, always disconnect the power cord when installing or removing ANY internal or external printer option.



DISCHARGE STATIC ELECTRICITY:

The control board and internal printer options (SIMMs, PostScript, Serial/LocalTalk interface) are sensitive to static electricity. Before installing or removing an internal option, discharge static electricity from your body by touching something metal, such as the metal back plate on any device plugged into a grounded power source. If you walk around before finishing the installation, again discharge any static electricity.

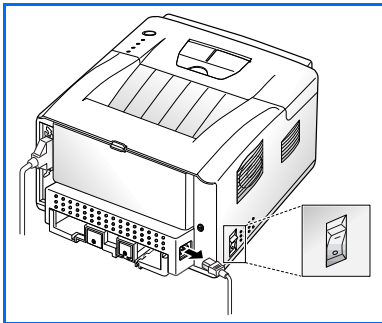
Memory and PostScript SIMMs

Additional printer memory and the PostScript option are provided on SIMMs (single inline memory modules). This procedure is applicable to either option.

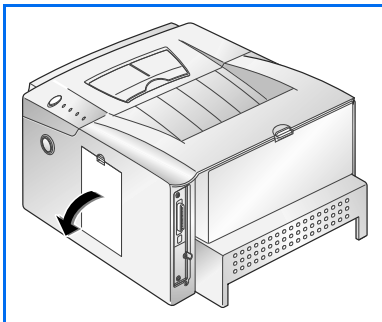


Since PostScript requires 12 MB of printer memory and the DocuPrint P1202 comes with 4 MB standard, installation of the PostScript SIMM requires installation of a memory SIMM as well.

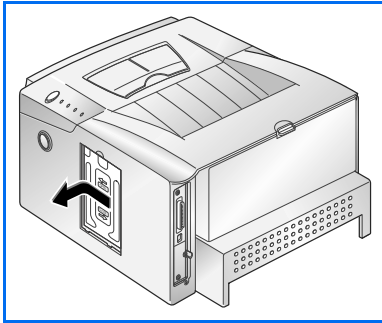
Review the precautions on page B-3 and then follow this procedure to install SIMMs in your computer.



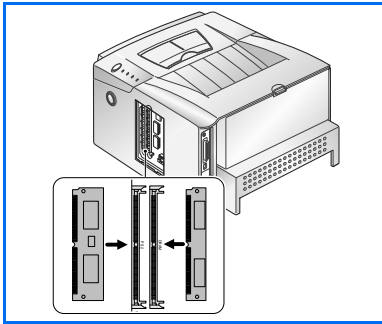
- 1 Turn the printer power off and disconnect the power cord.



- 2 Remove the control board cover.

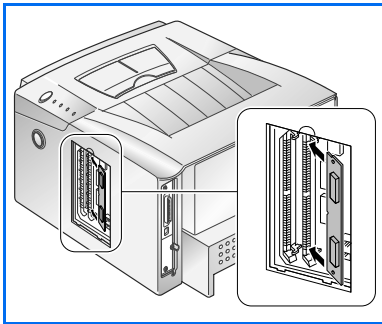


3 Remove the metal plate in the direction of the arrow.

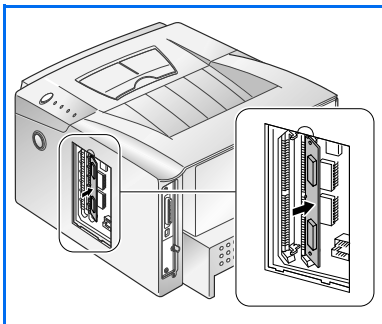


4 Locate the PostScript SIMM slot (the first slot on the left as shown) and the memory SIMM slot (the second slot on the right as shown) on the control board. They are not interchangeable.

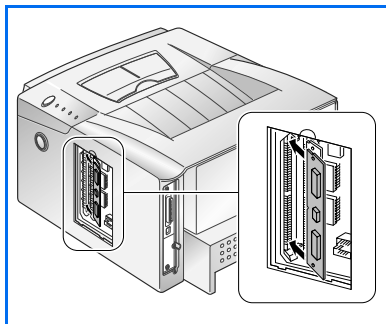
- To install a memory SIMM, continue with Step 5.
- To install the PostScript SIMM, go to Step 7 on page B-6.



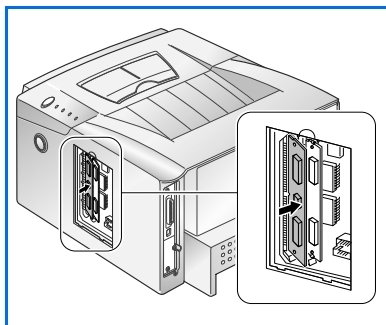
5 Install the memory SIMM into the second slot labeled “DRAM” as shown, slightly angled, notch side up.



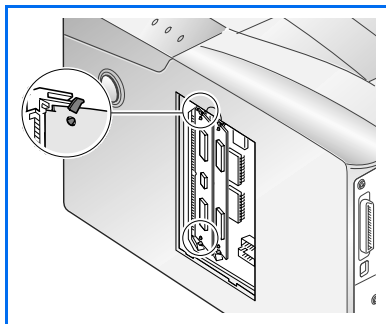
6 Push back on the SIMM until it clicks into place.



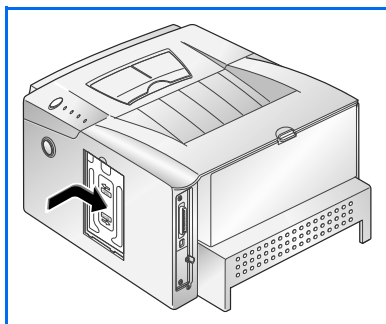
- 7** Install the PostScript SIMM into the first slot labeled “DRAM” as shown, slightly angled, notch side up.



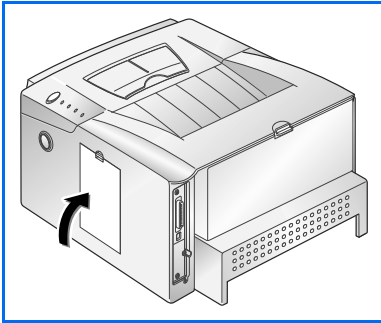
- 8** Push back on the SIMM until it clicks into place.



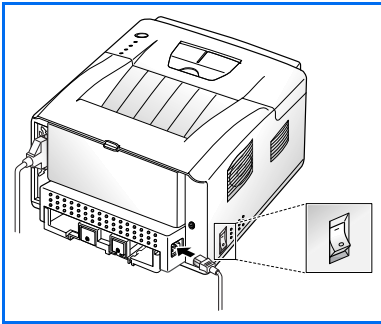
- 9** Make sure the SIMM is secured in place by the metal clips.



- 10** Reinsert the metal plate.



11 Replace the control board cover.



12 Reconnect the power cord and turn on the power.



For PostScript driver installation and usage information, refer to the sections “Installing the PostScript PPD” (page 2-4) and “PostScript Driver Features” (page 4-9).



To print documents from a Macintosh, you must install the Serial/LocalTalk option. See the section “Serial/LocalTalk Card” (page B-8).

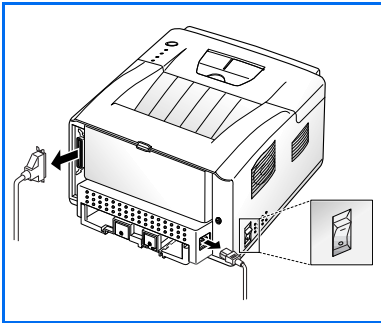
Serial/LocalTalk Card

The Serial/LocalTalk option lets you connect your DocuPrint P1202 to a PC or Macintosh serial interface, or to a Macintosh LocalTalk network.

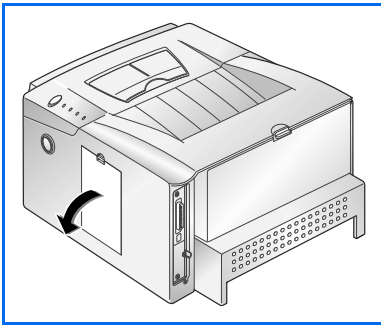
To use the serial connection, a standard 9-pin serial cable is required. One end has a 9-pin female connector and the other end has a 9-pin male connector. **Do not use a null-modem cable**, which is a twisted pair cable.

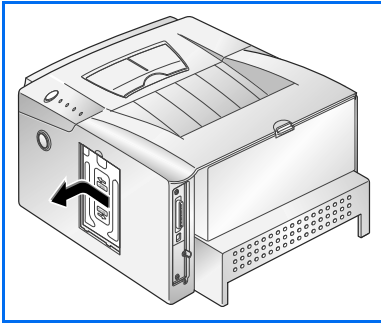
Review the precautions on page B-3 and then follow this procedure to install the Serial/LocalTalk option in your computer.

- 1 Turn the printer power off and disconnect the power cord.

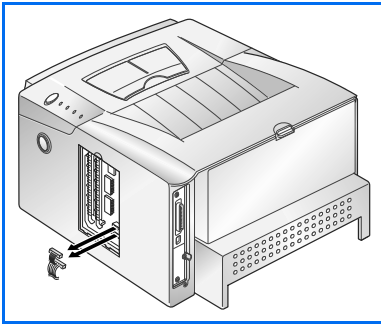


- 2 Remove the control board cover.

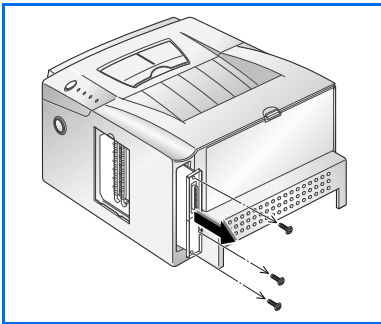




- 3** Remove the metal plate in the direction of the arrow.

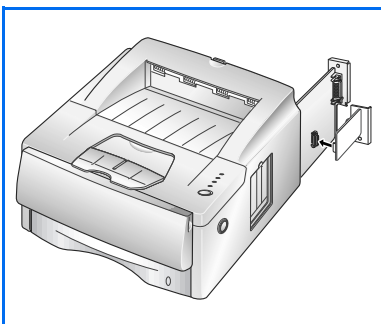


- 4** Unplug the two connectors from the control board.



- 5** Remove the three screws securing the board and pull the board out of the printer.

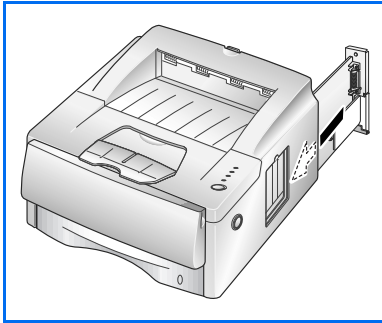
Unpack the Serial/LocalTalk card. Avoid touching its contact pins.



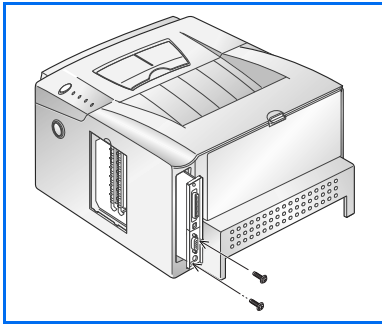
- 6** Align the connector on the Serial/LocalTalk card with the connector on the control board.

Push the card firmly into the connector until it is completely inserted in place. The two connectors should fit snugly together.

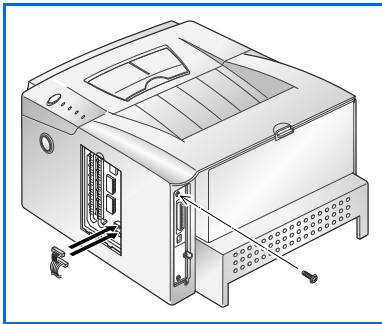
Serial/LocalTalk Card



7 Slide the control board back into the printer.

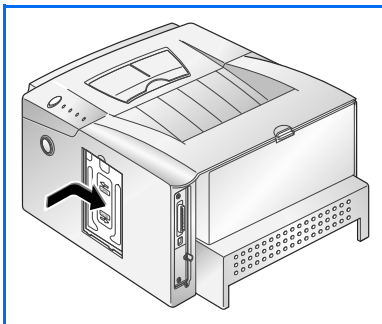


8 Insert the control board in place, and tighten the two screws.

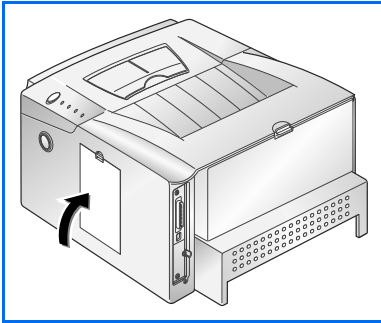


9 Tighten the third screw as shown.

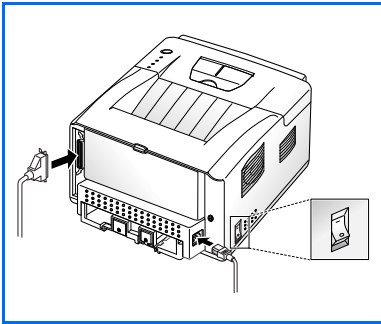
Reconnect the two connectors that were removed in Step 4.



10 Reinsert the metal plate.



11 Replace the control board cover.



12 Reconnect the power cord and turn on the power.



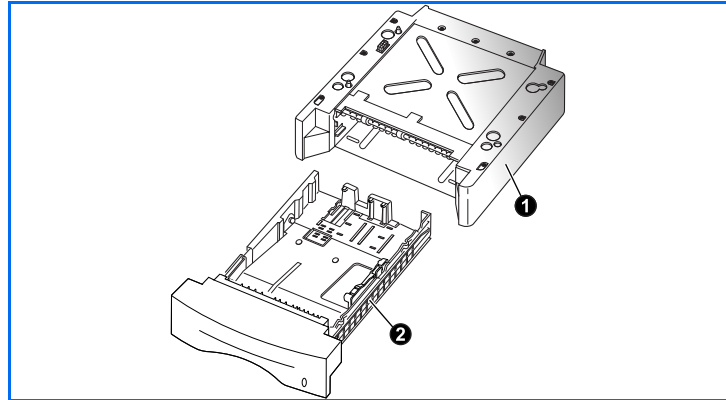
To print documents from a Macintosh, you must also install the PostScript option and additional memory. See the section “Memory and PostScript SIMMs” (page B-4).

Paper Tray 2

You can increase the paper handling capacity of your DocuPrint P1202 by installing the optional Tray 2, which consists of two components, as shown in Figure 6.1.

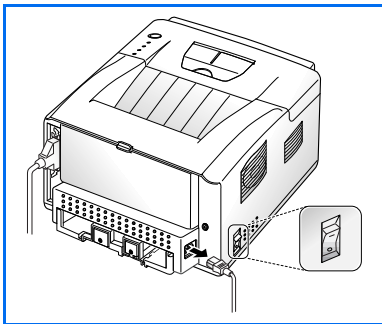
Figure 6.1 Tray 2 Components

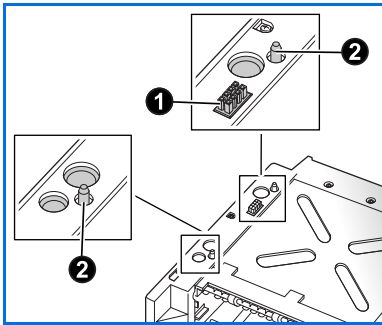
- ❶ Support unit
- ❷ Paper tray



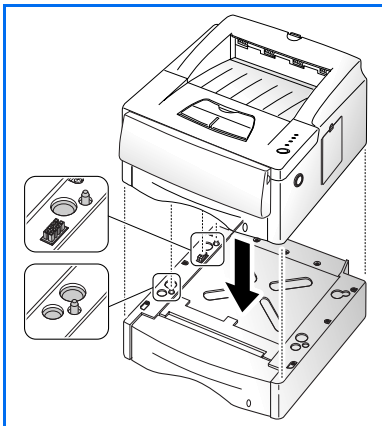
Review the precautions on page B-3 and then follow this procedure to install Tray 2 in your computer.

- 1 Turn off the printer and disconnect the power cord.





2 Observe the location of the support unit's connector ❶ and tabs ❷.



3 Align the printer with the support unit and lower it into place on the tabs and connector.

4 Load paper in the tray. See the User Guide.

5 Reconnect the power cord, then turn on the printer.

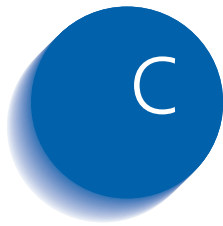


To verify proper installation, print a configuration sheet.



To print from Tray 2, configure the printer driver from your application prior to printing. See "Configuring the PCL Drivers" (page 4-3).





Macintosh Setup and Printing

<i>Requirements for Printing</i>	C-2
<i>Printing a Document</i>	C-3

Requirements for Printing

Minimum system requirements for Macintosh

- Mac OS 7.0 or later
- LaserWriter8
- Macintosh system with LocalTalk port

DocuPrint P1202 options required

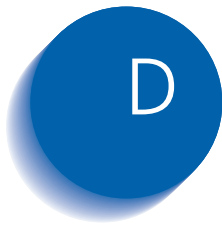
- PostScript Level 2 option, including installation of the PPD file. See “*Installing the PostScript PPD*” (page 2-4).
- Serial/LocalTalk option. See “*Serial/LocalTalk Card*” (page B-8).

Printing a Document

The following procedure describes general steps required for printing from various Macintosh applications. The exact steps for printing a document may vary depending on the application program you are using. Refer to your software application's documentation for the exact printing procedure.

- 1** Start the program you are using to create the document and open the document you want to print.
- 2** Select **Print** from the **File** menu.
- 3** Ensure that the **Xerox DocuPrint P1202** is the selected printer.
- 4** After making any necessary changes to the print settings, click **Print** to start the print job.

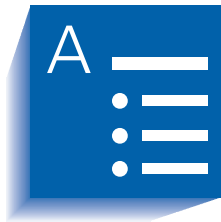




Language Codes



Code	Language
BG	Bulgarian
CS	Czech
DA	Danish
DE	German
EL	Greek
EN	English
ES	Spanish
ET	Estonian
FI	Finnish
FR	French
HU	Hungarian
IT	Italian
LT	Lithuanian
LV	Latvian
NL	Dutch
NO	Norwegian
PL	Polish
PT	Portuguese
RO	Romanian
RU	Russian
SH	Croatian
SK	Slovak
SL	Slovenian
SV	Swedish
TR	Turkish
ZH	Chinese



Index

A

Apple Macintosh
See Macintosh

B

Booklet printing • 4-8

C

Card stock
Capacity • 3-3
CD-ROM • 1-7
Cleaning the printer • 5-2 → 5-3
Cleaning cycle • 5-3
Inside surfaces • 5-3
Outside surfaces • 5-2
Control board cover
Location • 1-3
Control panel
Location • 1-3
Cooling vent
Location • 1-4

D

Documentation • 1-6
Duplex printing • 4-7

E

Envelopes
See also Media
Sizes and capacities • 3-3
Exhaust fan
Location • 1-4

F

Face down output stacker
Location • 1-3
Face-up output stacker
Location • 1-4

I

Interfaces
LocalTalk • 2-2
Parallel • 2-2
Serial • 2-2
USB • 2-2

L

L

Labels

- Capacity • 3-3
- See also Media

Laser print cartridge

- Location • 1-3

LocalTalk interface • 2-2

LocalTalk option • B-2

- Installing • B-8 → B-11

M

Macintosh

- Installing PostScript PPD • 2-6
- Interface options • 2-2
- Printing procedure • C-3
- Required options • C-2
- See also LocalTalk option
- System requirements • C-2

Media

- Selection guidelines • 3-4
- Sizes and Capacities • 3-3

Memory

- Installing • B-4 → B-7

MP Tray

- Location • 1-3

Multi-Purpose Tray

- Location • 1-3

P

Paper

- See also Media
- Sizes and capacities • 3-3

Paper level indicators

- Location • 1-3

Paper support

- Location • 1-3

Paper Tray 2 option • B-2

- Installing • B-12 → B-13

Parallel interface • 2-2

PCL Drivers

- Configuring • 4-3 → 4-6

PCL 6

- Driver features • 4-5 → 4-6

PostScript • 2-2

- Driver features • 4-9

Option

- See PostScript option

PPD • 2-2, 2-3

- Installing • 2-4 → 2-6
 - Macintosh • 2-6
 - Windows NT 4.0 • 2-4
 - Windows 3.1x • 2-5
 - Windows 95/98 • 2-4

- Troubleshooting • 6-10

PostScript option • B-2

- Installing • B-4 → B-7

Power cord connector

- Location • 1-4

Power switch

- Location • 1-4

Print speed • 1-5

Printer cable connectors

- Location • 1-4

R

RCP

- See Remote Control Panel

Rear cover

- Location • 1-4

Remote Control Panel

- Using • 4-10 → 4-16
 - ABOUT tab • 4-16
 - CONFIG tab • 4-12
 - INTERFACE tab • 4-14
 - JOB tab • 4-13
 - PCL 5e tab • 4-15
 - PRINTING tab • 4-11
 - PS 2 tab • 4-16
 - TEST tab • 4-14

Resolution • 1-5

S

- Safety issues • A-1 → A-8
- Serial interface • 2-2
- Serial number
 - Location • 1-3
- Serial option • B-2
 - Installing • B-8 → B-11
- Status Monitor • 4-16

T

- Technical support • 6-11
- Top cover
 - Location • 1-3
- Top cover release button
 - Location • 1-3
- Transparencies
 - Capacity • 3-3
 - See also Media
- Tray 1
 - Location • 1-3
- Tray 2
 - Location • 1-3
- Troubleshooting
 - Operation problems • 6-2 → 6-6
 - PostScript problems • 6-10
 - Print quality problems • 6-7 → 6-9

U

- USB interface • 2-2

W

- Windows NT 4.0
 - Installing PostScript PPD • 2-4
 - Printing in • 4-2
- Windows 3.1x
 - Installing PostScript PPD • 2-5
 - Printing in • 4-2
- Windows 95/98
 - Installing PostScript PPD • 2-4
 - Printing in • 4-2

X

- Xerox
 - Customer support • 6-11
 - Helpline • 6-11
- Xerox Font Manager • 4-16

Free Manuals Download Website

<http://myh66.com>

<http://usermanuals.us>

<http://www.somanuals.com>

<http://www.4manuals.cc>

<http://www.manual-lib.com>

<http://www.404manual.com>

<http://www.luxmanual.com>

<http://aubethermostatmanual.com>

Golf course search by state

<http://golfingnear.com>

Email search by domain

<http://emailbydomain.com>

Auto manuals search

<http://auto.somanuals.com>

TV manuals search

<http://tv.somanuals.com>