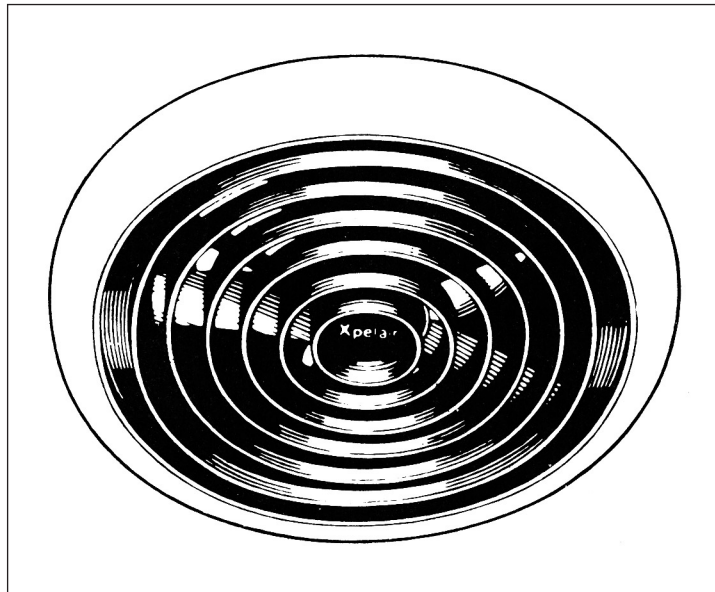




CX10



DO'S AND DON'TS

- Do read all the instruction leaflet before commencing installation.
- Do install each fan with a double pole-isolating switch.
- Do make sure the mains electricity supply is switched off before attempting to make electrical connections or carry out any maintenance or cleaning.

GUARANTEE

Customers outside UK - see international below.

- UK: The fan is guaranteed against defects for 3 years from the date of purchase.
- Please keep your purchase receipt.
- If you have any problems, contact Xpelair's Head Office at the address shown below.

TECHNICAL ADVICE AND SERVICE

Customers outside UK - see international below.

- UK: Xpelair have a comprehensive range of services including:
- Free technical advice help-desk from Engineers on all aspects of ventilation.
- Free design service, quotations and site surveys.
- Service and maintenance contracts to suit all requirements.

Please ask for details:

- By telephone on Techline: +44(0) 8709 000430
- By fax on Techfax: +44 (0) 8709 000530

HEAD OFFICE, UK SALES OFFICE AND SPARES

- Applied Energy Products Ltd, Morley Way, Peterborough, PE2 9JJ, England.
Telephone: +44 (0)1733 456789
Fax: +44 (0) 1733 310606
Sales/Spares Hotline: +44 (0) 8709 000420
Sales/Spares Faxline: +44 (0) 8709 000520
<http://www.xpelair.co.uk>

INTERNATIONAL

- Guarantee: Contact your local distributor or Xpelair direct for details.
- Technical Advice and Service: Contact your local Xpelair distributor.

Installation Instructions

Download from [Www.Somanuals.com](http://www.Somanuals.com). All Manuals Search And Download.



applied energy



Part No. 03059AA
(Issue D)

**XPELAIR
CX10 CEILING EXTRACTOR FAN
INSTALLATION INSTRUCTIONS**

PLEASE READ ALL INSTRUCTIONS CAREFULLY BEFORE COMMENCING INSTALLATION. CHECK THAT THE ELECTRICAL SUPPLY DATA QUOTED ON THE APPLIANCE RATING PLATE AGREES WITH THAT OF YOUR SUPPLY.

DESCRIPTION

The Xpelair CX10 is a ceiling extractor fan which is suitable for mounting in ceilings with access to an attic, loft or void. Where steam and/or condensation occur ducting of 204mm (8") diameter must be fitted to take the extracted air through the loft, void or attic space to the outside atmosphere. This ducting should be connected to the fan unit by means of a hose clip or similar, it is recommended that a duct termination grille (not supplied) of 204mm (8") square or equivalent with 70% free area is fitted. A ducting kit for the CX10 is available (Cat. No. TDK8), a back/draught shutter (Cat No. CXS) is also available as an optional extra.

LOCATION

Minimum mounting height 2.3m.
For maximum efficiency a fan should be mounted as near as possible to the source of steam, fumes etc. The most common cause of unsatisfactory mechanical ventilation is the 'short-circuiting' of air movement between the fan and nearby air inlets. The extractor fan should therefore be sited as far away as possible from and opposite to the main source of air replacement (see fig 1).

Fans should not be mounted immediately above a cooker hob/eye level grill or where temperatures are likely to exceed 50°C (122°F).

When intended for use in possibly chemically corrosive atmospheres, consultation with Xpelair's Technical Sales Department is advised. In a room containing a flued appliance, the installer of the fan is responsible for ensuring that adequate replacement air is available and that fumes are not drawn down the flue when the fan is on maximum speed extract.

BEFORE INSTALLATION

IMPORTANT: Ensure that the mains supply lead is isolated from the supply before commencing installation.

A hole is required of 292mm-300mm (11½"-11¾") diameter in the ceiling. This should be in an unobstructed ceiling space of 305mm-381mm (12"-15") diameter between joists.

INSTALLATION: (for component references see fig. 3)

1. Remove the inlet grille (E) from the grille surround (D) by rotating the inlet grille (E) anti-clockwise.
2. Fit fixing screws (B) to the motor/duct assembly (C).
3. Pass the motor/duct assembly (C) through the hole space in the ceiling and position with screws (B) protruding through the hole.
4. Offer grille surround (D) over fixing screws (B) and lock into locating holes with a clockwise rotation. Tighten fixing screws (B).
5. The inlet grille (E) is inserted into the grille surround (D) and rotated in a clockwise direction until it locks into position.
6. From loft, void or attic connect the supply cable to the fan terminals in the terminal box (A) as shown in fig 4.
7. Connect to electrical supply.

ELECTRICAL CONNECTION

WARNING: THIS APPLIANCE MUST BE EARTHED.
ALL INSTALLATIONS AND WIRING MUST COMPLY WITH CURRENT IEE REGULATIONS.

The CX10 must be connected to the supply with fixed wiring through a 5A fuse and a suitable double pole isolating switch with contact gap 3mm minimum (P) (not supplied) used only to isolate the fan for maintenance or cleaning purposes (see fig. 4).

Cable of 0.5 sq. mm minimum cross section is recommended.

NOTE: If a plug and socket connection is used the appliance must be protected by a 3A fuse if a 13A (BS1363) plug is used, or if any other type of plug is used by a 5A fuse either in the plug or adaptor or at the distribution board. When connected to the supply by means of a flexible cord, an approved three pin plug to BS1363 fitted with sleeved pins should be used.

WHERE A CX10 IS FITTED IN A BATHROOM OR SHOWER ROOM THE ON/OFF SWITCH MUST BE INACCESSIBLE TO THE PERSON USING THE BATH OR SHOWER EITHER BY BEING FITTED OUTSIDE THE BATHROOM OR BY USING A CEILING MOUNTED PULL-CORD SWITCH.

If you experience any difficulty in understanding these electrical requirements, you should consult Xpelair's Technical Sales Department or a competent electrician prior to making any electrical mains connections.

OPERATION

Operation of the CX10 should be effected by an On/Off control switch (Q) (not supplied) see fig 4.

MAINTENANCE

Prior to any maintenance always switch off and disconnect the appliance from the electrical supply. Grease and dirt will build up on some parts of the fan during use, this is easily cleaned off. First remove the inlet grille (E). This can be totally immersed in warm soapy water and washed to remove grease etc.

Strong solvents should not be used.

The rest of the product can be wiped clean using a damp cloth, but apart from cleaning, no other maintenance is necessary. The bearings are lubricated and sealed during manufacture and require no further attention.

KEEP THIS BOOK FOR REFERENCE

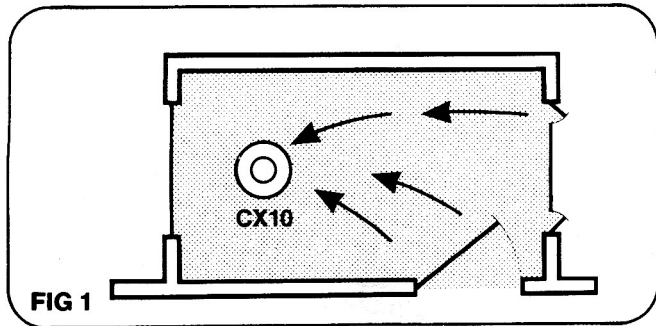


FIG 1

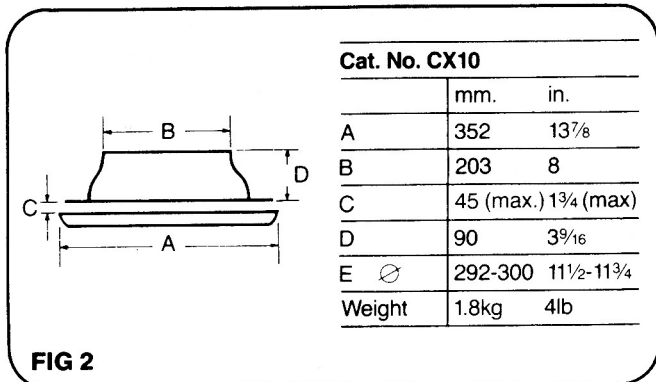


FIG 2

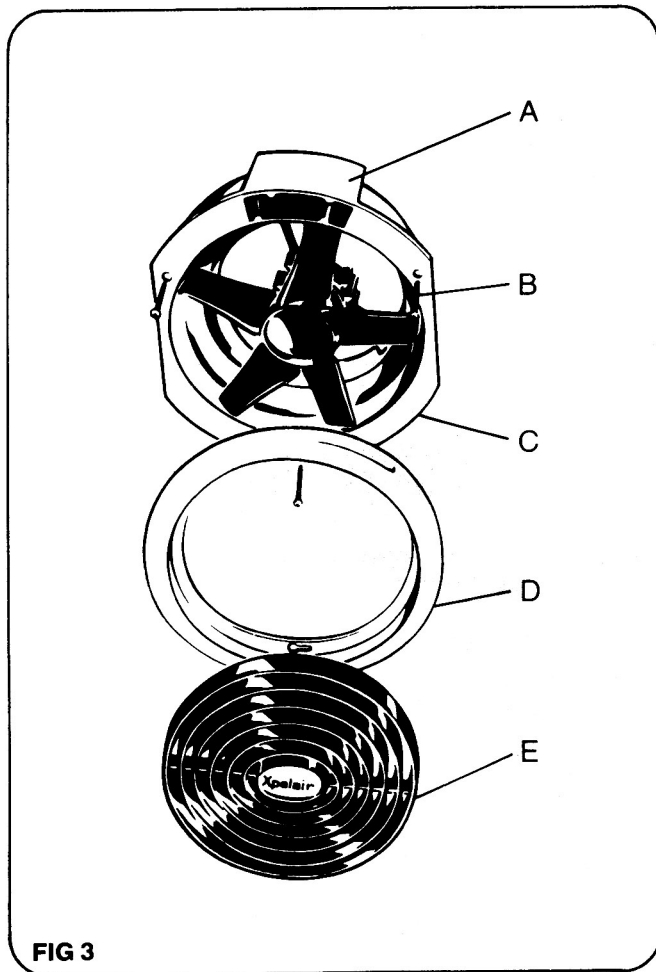


FIG 3

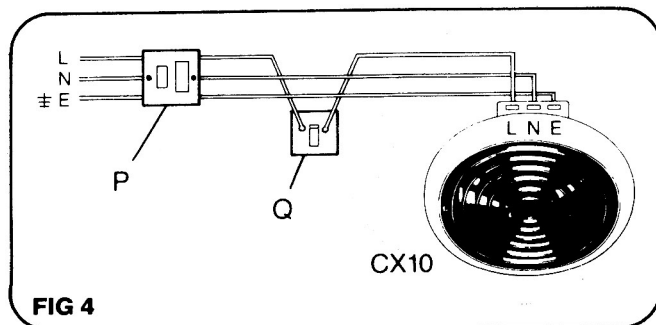


FIG 4

Free Manuals Download Website

<http://myh66.com>

<http://usermanuals.us>

<http://www.somanuals.com>

<http://www.4manuals.cc>

<http://www.manual-lib.com>

<http://www.404manual.com>

<http://www.luxmanual.com>

<http://aubethermostatmanual.com>

Golf course search by state

<http://golfingnear.com>

Email search by domain

<http://emailbydomain.com>

Auto manuals search

<http://auto.somanuals.com>

TV manuals search

<http://tv.somanuals.com>