

GUARANTEE

Terms and Conditions for UK & ROI (outside UK & ROI contact your local distributor)

We, Applied Energy Products Limited, guarantee this product **for residential use only**, for the period of 5 years from the date of purchase subject to the following conditions – initial 3 years parts and labour, final 2 years parts only.

Within the guarantee period we will resolve, **free of charge**, any manufacturing defects in the product resulting from faulty workmanship or material on condition that:-

- The appliance has been correctly installed in accordance with our instructions and is being used on the supply circuit or voltage printed on the rating plate.
- The appliance has been used in accordance with these instructions and has not been tampered with or otherwise subject to misuse, neglect or accident.
- The appliance has been regularly maintained in accordance with these instructions and the airway is unobstructed.
- The appliance has not been taken apart, modified or repaired except by a person authorised by us.
- Evidence of the date of purchase in the form of an invoice or receipt will be required in order to qualify under the terms of this guarantee.
- For the service work to be undertaken free of charge, the work must only be undertaken by Applied Energy Products Limited, or our approved agents.
- Service under guarantee has no effect on the expiry date. The guarantee on any exchanged parts or product ends when the original guarantee period ends.
- In the event of a product being returned to Applied Energy Products Limited and not found to be faulty, the product would be available for collection from the relevant premises within one month and if not collected it would be disposed of or delivered by Applied Energy Products Limited and a delivery charge made.

EXCLUSIONS

This guarantee **DOES NOT** cover damage or defects arising from poor or incorrect installation, improper use or lack of maintenance. It is the responsibility of the installer to check that the installation parameters meet the requirements of the product, and any relevant regulations.

If we are called out to a fault, which is subsequently identified as being an installation fault, we will make a charge. It is important that the routine checks are completed before calling us out, as many issues can be simply diagnosed and resolved.

We make no guarantees as to response times for repairs. We will endeavour to achieve the most timely response possible but while we indicate an average response time, this should not be taken as a guarantee.

The guarantee applies to a repair or replacement (at our discretion) of the product subject to the conditions above, and **DOES NOT** cover compensation for the loss of the product or consequential loss of any kind.

This guarantee does not affect your statutory rights.

Applied Energy Products Ltd
Morley Way
Peterborough
PE2 9JJ

Tel: +44 (0)1733 456789
Fax: +44 (0)1733 310606
Sales Hotline: +44 (0)8709 000420

For Technical Advice (Techline)
Tel: +44 (0)8709 000430
Fax: +44 (0)8709 000530

For Spares Requirements (UK Only)
Tel: +44 (0)8709 077077
Fax: +44 (0)8709 076076

www.applied-energy.com



Xpelair is a registered trademark of Applied Energy Products Limited. Applied Energy Products reserve the right to alter product specifications or appearance without prior notice. All finishes and diagrams in this booklet are as accurate as printing processes allow.

A4 Leaflet Number: 23161AA Revision A



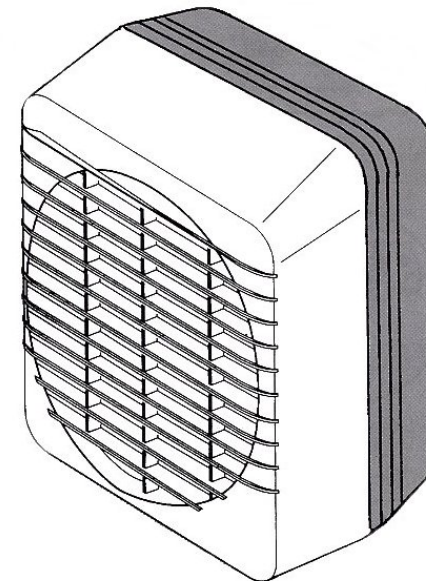
Xpelair

Low Energy Wall/Window Fan Range

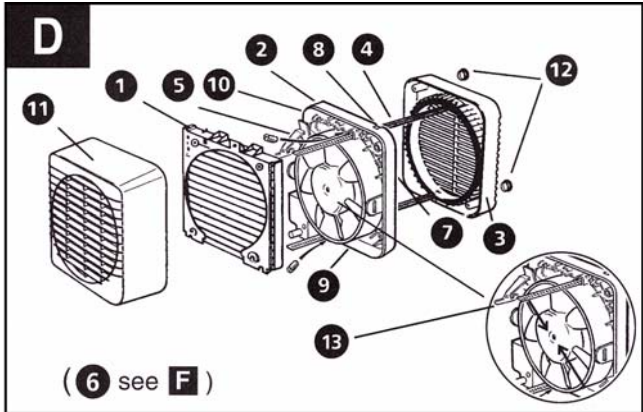
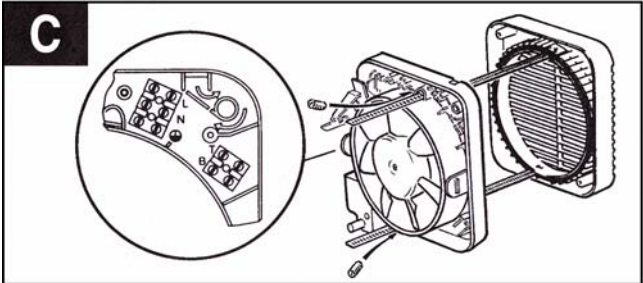
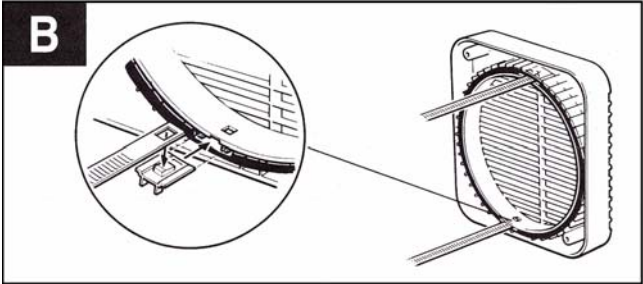
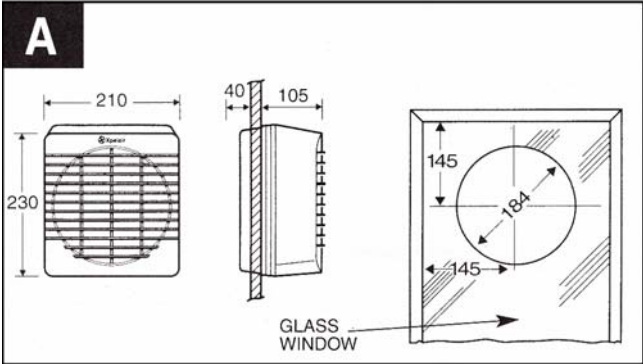
- GX6 EC2
- GXC6 EC2

Installation and Maintenance Instructions

Retain for future reference



Ultra EC



3. To remove the impeller, unscrew the central screw with a 7mm nut runner and remove it, place the screw to one side.
4. To clean the impeller, either wipe it with a damp, lint free cloth or wash it in warm soapy water. **Do not use strong detergents or chemical cleaners.** Thoroughly dry the impeller and refit. Replace the screw ensuring that it is securely fitted.
5. Clean the back draught shutter and grille in warm soapy water. **Do not use strong detergents or chemical cleaners.**
6. Thoroughly dry the back draught shutter and grille and refit the back draught shutter to the grille by placing into position and pushing down until it clicks into position, see Fig. G3 and Fig. G4.
7. Refit the back draught shutter/grille assembly by sliding the grille back over the release catches, the catches will locate and secure the grille.

Do not immerse the fan in water or other liquids to clean any other parts of the fan.

Never use strong solvents to clean the fan.

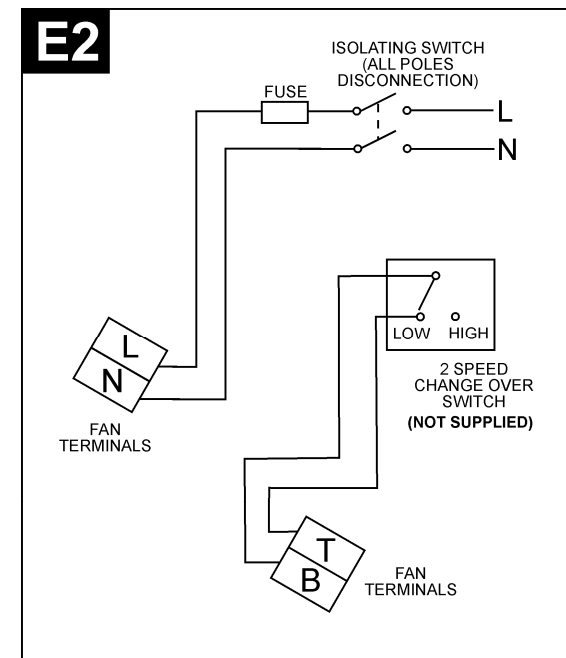
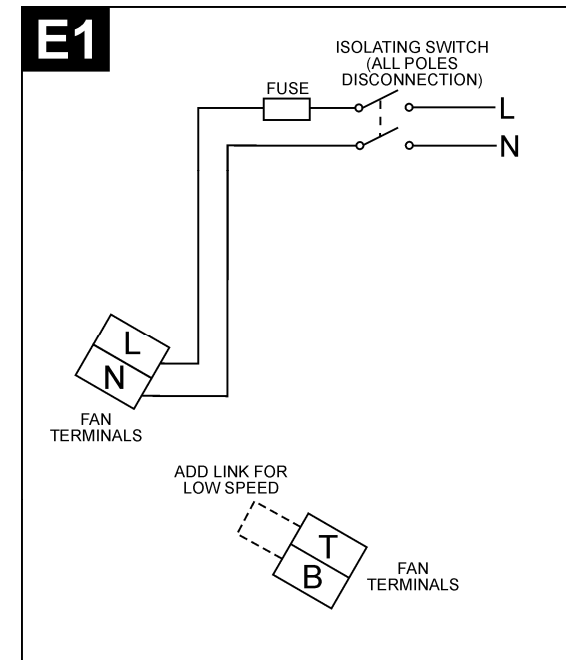
Apart from cleaning, no other maintenance is required.

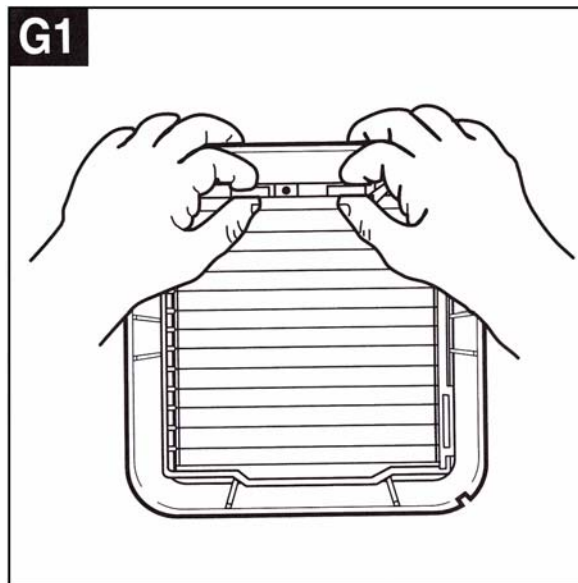
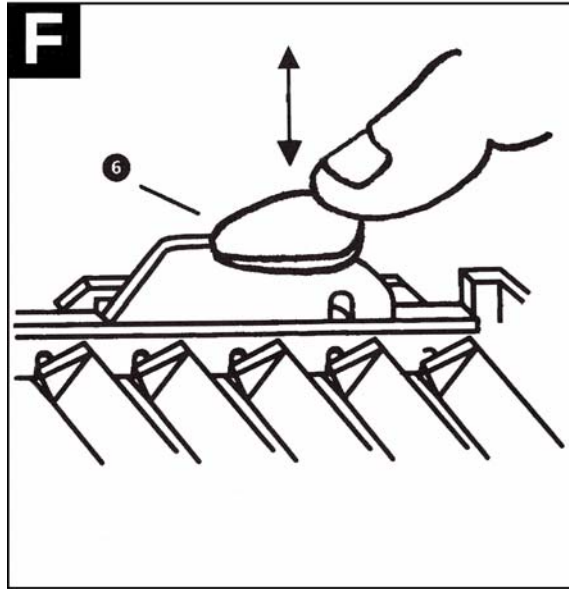
Components, Fig. D.

1. Back draught shutter.
2. Fan assembly.
3. Outer grille.
4. Ladder strips.
5. Terminal cover.
6. Trickle vent catch.
7. Rear cable entry.
8. Top cable entry.
9. Rating plate.
10. Lugs for screw mounting.
11. Grille.
12. Screw hole caps.
13. Actuator lever.

Spares

- 40984SK – Wax Actuator
- 41004SK – Actuator Linkage Assy (GX6 EC2)
- 41010SK – Outer Grille Assembly
- 41785SK – Ladder Strip Kit 3"
- 41791SK – Cord Actuator Assy (GXC6 EC2)
- 41904SK – Impeller Assembly
- 41905SK – Front Cover Assembly
- 41906SK – GX6 EC2 Motor/Duct Assembly
- 41907SK – GXC6 EC2 Motor/Duct Assembly





3. Drill the holes and insert anchor fixings to suit the wall.
4. Screw the outer grille securely in place. **Do not over tighten screws.**
5. Insert the two screw covers in the two fixing holes in the outer grille.
- 6a. If wiring from the rear, remove the fan's terminal cover and rear entry knockout. Feed the cable through the rear cable entry.
- 6b. If wiring from above, remove the fan's terminal cover and feed the cable through the top cable entry.
7. Hold the fan assembly to the inside of the wall so that the spigot is inserted into the wall duct.
8. Mark the position of the two fixing holes in the top left and bottom right corners.
9. Remove the fan assembly, drill the holes and insert anchor fixings appropriate to the type of wall.
10. Reposition the cable and fan assembly as before and screw securely in place. **Do not over tighten screws.**

Note: For particularly difficult installations, it is possible to secure the fan with a combination of screw and ladder strip fixings.

Wire the electrical connections

1. Wire the switch cable into the terminal connections as shown in:
 - Fig. E1 for GX6 EC2 / GXC6 EC2 for single speed operation.
 - Fig. E2 for GX6 EC2 / GXC6 EC2 for 2 speed selection operation using a change over switch (COS).
2. If the fan is wired from above, ensure the outer sheath of cable is retained in the labyrinth, see Fig. C.
3. Refit and secure terminal cover.
4. Refit the back draught shutter/grille assembly by sliding the grille back over the release catches, the catches will locate and secure the grille.
5. **Switch off the mains electricity supply and remove fuses.**
6. Connect the cable from the isolation switch to the electrical supply wiring.
7. Replace the fuses and switch on the mains electricity supply.

For fixed wiring circuits the protective fuse for the appliances must not exceed 5A.

Operating the fan

- These fans can either be single speed operation with a choice between High and Low at installation, or 2 speed operation when installed with a change over switch (COS).
- The shutters of the GX6 EC2 have a time delay of up to 1 minute on opening and up to 3 minutes on closing. Activated by operation of the switch, the delay ensures quiet operation.

For Australia Only :- Warning – Children should not play with the appliance. Young children and the infirm should be supervised.

GX6 EC2

- The fan is operated by a remote switch.
- Speed selection between High and Low is via a change over switch (COS) if installed.

GXC6 EC2

- The fan is operated by an integral pull cord.
- To switch on, pull down the cord and release it.
- Repeat to switch off.
- Speed selection between High and Low is via a change over switch (COS) if installed.

Trickle ventilation

Trickle ventilation is equivalent to that provided by an airbrick or similar device.

1. Remove the back draught shutter/grille assembly (see "Mounting the fan in the hole" section).

To allow trickle ventilation

2. HOLD THE SHUTTER VANES FULLY OPEN.
3. Push down firmly on the trickle vent catch until it clicks into position then release the shutter vanes, see Fig. F. item 6.

To fully close the shutters and stop any back draught

4. Pull the trickle vent catch towards you until it clicks into position.
5. Refit the back draught shutter/grille assembly, see "Wire the electrical connections" section, ensuring that the actuator lever is in the "fully down" position.

Maintenance

A QUALIFIED ELECTRICIAN MUST CARRY OUT ALL CLEANING.

NOTE: THE FAN WILL CONTINUE TO OPERATE WITH THE INNER GRILLE REMOVED HENCE IT MUST BE ISOLATED COMPLETELY FROM THE MAINS BEFORE ANY WORK IS CARRIED OUT.

1. **Before cleaning, isolate the fan completely from the mains electricity supply. On the GX6 EC2, allow 3 minutes for the impeller to stop rotating and the powered shutter to close. Cleaning on the GXC6 EC2 can begin once the impeller has stopped rotating.**
2. Remove the back draught shutter/grille assembly by pressing the release catch located on the side of the unit with a 6mm screwdriver or a coin, whilst pulling the grille forward. To remove the back draught shutter, lay face down and pull the shutter forwards, see Fig. G1 and Fig. G2.

Installing the switches and cables

1. Check that there are no buried pipes or cables (eg. Electricity, gas, water) behind the switch location (in the wall or above the ceiling).
2. Lay in the cable from the isolating switch to the fan location via the on/off switch (see Fig. E1. For change over switch (COS) see Fig. E2.
3. Lay in the cable from the isolating switch to the point of connection to the mains supply. **WARNING: DO NOT MAKE ANY CONNECTIONS TO THE ELECTRICITY SUPPLY AT THIS STAGE.**
4. Install the isolating switch and the on/off switch, see Fig. E1. For change over switch (COS) see Fig. E2.
5. Make all connections within the isolating switch, on/off switch and change over switch (COS) if required.

Note: When installed in a bathroom all switches must be of a pull cord type and must be situated so that they can not be touched by persons making use of the bath or shower.

For Australia only

Permanently connected to the supply and a remote switch operation. Wire directly to the supply through an approved 10A wall mounted surface switch with at least 3mm clearance between contacts.

Preparing the hole

If working above ground level, appropriate safety precautions must be observed.

WARNING: EYE PROTECTION MUST BE WORN DURING ALL DRILLING AND CHISELLING OPERATIONS.

If installing in a wall

1. Check there are no buried pipes or cables in a wall or obstructions on the outside (eg. Electricity, gas, water).
2. Ensure that the centre of the hole is located at least 145mm from the edges of the wall, see Fig. A.
3. Mark on the centre of the duct hole.
4. Use this centre to draw a circle to suit the wall duct (203mm diameter for a WK6/300 or WK6/450).

If core drill equipment is available

- 5a. Use as directed by the core drill manufacturer.

If core drill equipment is not available

- 5b. Drill a centre hole right through the wall.
6. Cut the hole. Do not cut right through the wall (the recommended method is to drill a series of holes, close together, around the edge of

the cutting line and remove the brick between the holes with a chisel).

7. Go outside and cut a hole in the outer wall, repeating the process described above.
8. Fit the ducting. Ensuring that the duct slopes down away from the fan to allow drainage of any incoming rain water to the outside.
9. Make good the hole. Allow for the mortar to set before continuing with the installation.

If installing in a window

Obtain a ready cut pane with a correctly located hole 184mm diameter, see Fig. A.

Preparing the fan for installation

1. For window mounting, use the two short ladder strips supplied with the fan. For wall mounting, use the longer ladder strips supplied with the wall kit WK6/300 or WK6/450.
2. Secure the two ladder strips to the outer grille by positioning them over the hook moulding and snapping them into position.
3. Ensure after fitting the hook moulding that the gasket is in the correct position, see Fig. B.
4. Insert the two screw covers in the two fixing holes in the outer grille.

Mounting the fan in the hole, Fig. C.

If working above ground level, appropriate safety precautions must be observed.

Remove the back draught shutter/grille assembly by pressing the release catches located on the sides of the unit with a 6mm screwdriver or a coin, whilst pulling the grille forward.

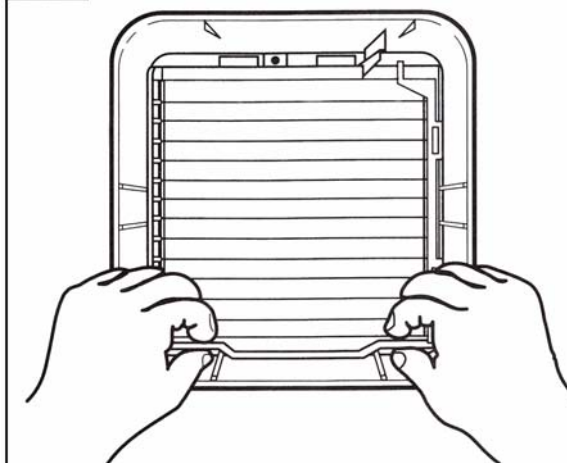
If installing with ladder strips

1. Hold up the outer grille to the outside wall or window so that the hole in the outer grille is aligned with the hole in the wall or window.
- 2a. If wiring from the rear, remove the fan's terminal cover and rear entry knockout. Feed the cable through the rear cable entry.
- 2b. If wiring from above, remove the fan's terminal cover and feed the cable through the top cable entry.
3. Hold the fan assembly to the inside of the wall or window and guide the ladder strips from the outer grille through the slots in the fan assembly.
4. Insert the slotted screws into the pockets around the ladder strip slots.
5. Tighten the screws carefully to make a good seal, do not over tighten the screws.
6. Trim the ladder strips back to the required length, if necessary remove any sharp edges.

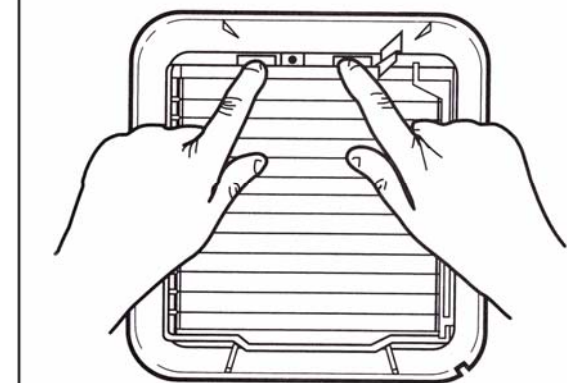
If using screw fixings

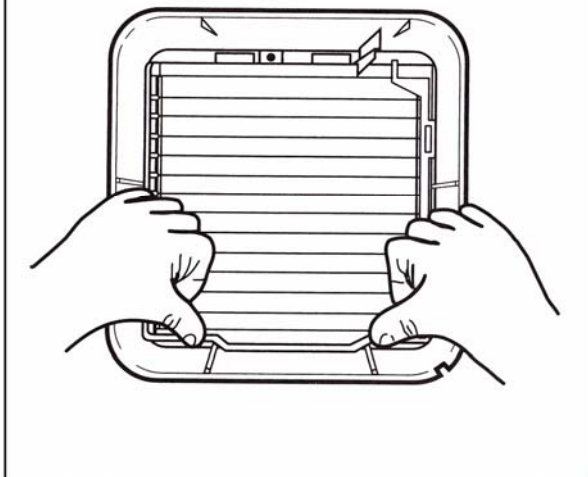
1. Hold the outer grille up to the outside of the wall so that the hole in the outer grille is aligned with the hole in the wall.
2. Mark the positions of the fixing holes in the top right and bottom left corners.

G2



G3



G4

Xpelair Ultra GX6 EC2 & GXC6 EC2

Installation and Operating Instructions

PLEASE LEAVE THIS LEAFLET WITH THE FAN, FOR THE BENEFIT OF THE USER.

IMPORTANT

1. READ ALL THESE INSTRUCTIONS & WARNINGS FULLY BEFORE COMMENCING INSTALLATION.
2. INSTALLATIONS AND WIRING MUST CONFORM TO CURRENT IEE REGULATIONS (UK), LOCAL OR APPROPRIATE REGULATIONS (OTHER COUNTRIES). IT IS THE INSTALLER'S RESPONSIBILITY TO ENSURE THAT THE APPROPRIATE BUILDING CODES OF PRACTICE ARE ADHERED TO.
3. A QUALIFIED ELECTRICIAN MUST SUPERVISE ALL INSTALLATIONS.
4. THESE APPLIANCES ARE INTENDED FOR CONNECTION TO FIXED WIRING.
5. CHECK THAT THE ELECTRICAL RATING SHOWN ON THE FAN MATCHES THE MAINS SUPPLY.
6. SITE THE FAN AWAY FROM DIRECT SOURCES OF HEAT (I.E. GAS COOKERS OR EYE LEVEL GRILLES). THE FAN MUST NOT BE MOUNTED WHERE AMBIENT TEMPERATURES ARE LIKELY TO EXCEED 50°C.
7. WHEN THE FAN IS INSTALLED IN A ROOM CONTAINING A FUEL BURNING APPLIANCE, THE INSTALLER MUST ENSURE THAT AIR REPLACEMENT IS ADEQUATE FOR BOTH THE FAN AND THE FUEL BURNING APPLIANCE.
8. ENSURE THAT ALL RELEVANT SAFETY PRECAUTIONS (CORRECT EYE PROTECTION AND PROTECTIVE CLOTHING ETC) ARE TAKEN WHEN INSTALLING, OPERATING AND MAINTAINING THIS FAN.
9. ALWAYS LOCATE THE FAN AS HIGH AS POSSIBLE. AT LEAST 145mm FROM THE EDGE OF THE WALL/WINDOW FRAME TO THE HOLE CENTRE (SEE FIG. A). LOCATE THE FAN AS FAR AS POSSIBLE FROM AND OPPOSITE TO THE MAIN SOURCE OF AIR REPLACEMENT TO ENSURE AIRFLOW ACROSS THE ROOM (eg. OPPOSITE AN INTERNAL DOORWAY).
10. THIS ELECTRICAL PRODUCT, IF INSTALLED IN A SHOWER ROOM OR BATHROOM, MUST BE SITUATED SO THAT IT CAN NOT BE TOUCHED BY PERSONS MAKING USE OF THE BATH OR SHOWER.
11. WHEN INTENDED FOR USE IN POSSIBLE CHEMICAL CORROSIVE ATMOSPHERES, CONSULT OUR TECHNICAL SERVICE DEPARTMENT. (FOR OVERSEAS MARKETS CONTACT YOUR LOCAL XPELAIR DISTRIBUTOR).
12. THIS APPLIANCE IS NOT INTENDED FOR USE BY PERSONS (INCLUDING CHILDREN) WITH REDUCED PHYSICAL, SENSORY OR MENTAL CAPABILITIES, OR LACK OF EXPERIENCE AND KNOWLEDGE, UNLESS THEY HAVE BEEN GIVEN SUPERVISION OR INSTRUCTION CONCERNING USE OF THE APPLIANCE BY A PERSON RESPONSIBLE FOR THEIR SAFETY. CHILDREN SHOULD BE SUPERVISED TO ENSURE THAT THEY DO NOT PLAY WITH THE APPLIANCE.

Description

The Ultra GX6 models have the following features:

- Window / Wall / Panel / Roof mounting options.

GX6 EC2

- For remote switch operation.
- 2 speed operation when installed with a change over switch (COS) not supplied, see Fig. E2.
- Single speed operation with a choice of High or Low speed selectable at installation.
- Trickle ventilation setting.

GXC6 EC2

- Integral pull cord operation.
- 2 speed operation when installed with a change over switch (COS) not supplied, see Fig. E2.
- Single speed operation with a choice of High or Low speed selectable at installation.
- Trickle ventilation setting.

What the installer will need

- A means of disconnection in all poles must be provided in the fixed wiring in accordance with the wiring rules.
- If metal switch boxes are used, earthing regulations must be followed.
- Suitably rated 4-core cable (not including green/yellow as earthing of the product is not

required) when installing with a change over switch (COS) for 2 speed selection.

- Suitably rated 2-core cable for single speed operation, and a link wire if required to select Low speed.
- A change over switch (COS), if required, (available from Xpelair).
- 6mm blade large screwdriver, 3mm blade electrician's screwdriver and No. 1 and 2 Pozidriv screwdrivers.
- 7mm nut runner (for removing the impeller when cleaning).

If window mounting the fan, you will also need:

- A single glazed window with a minimum glass thickness of 4mm or a double glazed unit with a pre-prepared sealed hole.

If wall mounting the fan, you will also need:

- Masonry drill, hammer and chisel (or core drill equipment, if available).
- Mortar (to make good the hole).
- Wall kit WK6/300 (available from Xpelair) for walls up to 300mm (12") thick or WK6/450 (available from Xpelair) for walls up to 450mm (18") thick.
- 4 mounting fasteners (use fasteners suitable for wall type. Recommended screw size for standard brick – No. 8 x 38mm Pan Head).

Free Manuals Download Website

<http://myh66.com>

<http://usermanuals.us>

<http://www.somanuals.com>

<http://www.4manuals.cc>

<http://www.manual-lib.com>

<http://www.404manual.com>

<http://www.luxmanual.com>

<http://aubethermostatmanual.com>

Golf course search by state

<http://golfingnear.com>

Email search by domain

<http://emailbydomain.com>

Auto manuals search

<http://auto.somanuals.com>

TV manuals search

<http://tv.somanuals.com>