

# ELECTRIC GUITAR

# AEX520

## SERVICE MANUAL



### ■ CONTENTS

OVERALL ASSEMBLY .....	2
PARTS LIST .....	3
CIRCUIT DIAGRAM .....	4
WIRING .....	4
SPECIFICATIONS .....	4

EG 011444

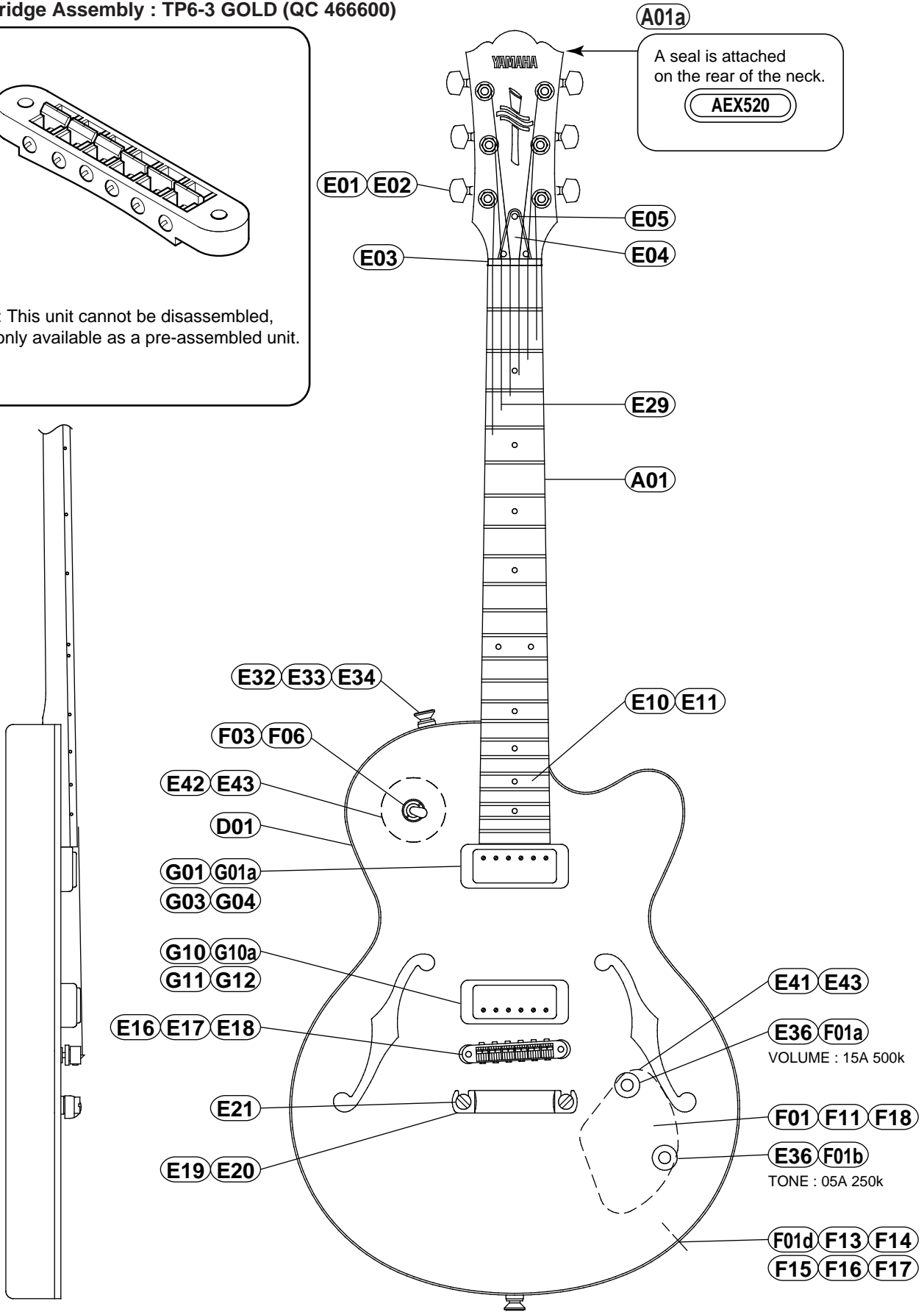
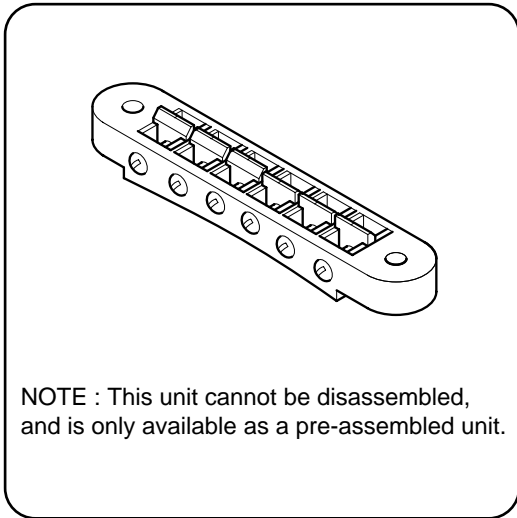
19981201-58000

 **YAMAHA**

HAMAMATSU, JAPAN

# OVERALL ASSEMBLY

## E16 Bridge Assembly : TP6-3 GOLD (QC 466600)



# ■ PARTS LIST

REF NO.	PART NO.	DESCRIPTION		REMARKS	QTY	RANK
* A01	<b>DX809770</b>	OVERALL ASSEMBLY		AEX520		
A01a	--	Neck Assembly		(QC45770)		
D01	--	Body				
E01	<b>QA170800</b>	Tuning Machine Assembly	RM-1271GVR	1set		
E02	<b>03704070</b>	Round Head Wood Screw	2.4X10 GOLD (GL)		6	
E03	<b>VQ014700</b>	Nut	43mm (Ivory)			02
E04	<b>VQ011800</b>	Rod Cover	BL			02
E05	<b>03706220</b>	Oval Head Wood Screw	2.1X10 FCM3BL (BL)		3	01
E10	<b>QC205200</b>	Neck Joint Bushing	BL		4	04
E11	<b>EN240070</b>	Oval Head Tapping Screw	5.0X45 FCM3BL (BL)		4	
* E16	<b>QC466600</b>	Bridge Assembly	TP6-3 (GOLD)			
* E17	<b>QC466700</b>	Bridge Adjusting Screw	TP6-3S (GOLD)		2	
* E18	<b>QC466800</b>	Nut	TP6-3B (GOLD)		2	
* E19	<b>QC466900</b>	Tailpiece Assembly	TP6-1 (GOLD)			
* E20	<b>QC467000</b>	Tailpiece Column	TP6-1S (GOLD)		2	
* E21	<b>QC467100</b>	Nut	TP6-1B (GOLD)		2	
E29	--	Strings	XL-115	1set (QC40220)		
E32	<b>BB802460</b>	Strap Button	GOLD		2	02
E33	<b>EN230130</b>	Oval Head Wood Screw	3.0X25 GOLD (GL)		2	02
E34	<b>VB793700</b>	Spacer	BL		2	01
* E36	<b>QC476800</b>	Knob	GOLD	VOLUME, TONE	2	
E41	<b>VD955600</b>	Back Cover	Electrical (BL)			
E42	<b>CB023450</b>	Back Cover	Switch (BL)			
E43	<b>EB620020</b>	Oval Head Wood Screw	2.7X13 FCM3BL (BL)		7	03
F01	--	Electrical Unit		(QC47840)		
F01a	<b>HS120070</b>	Variable Resistor	15A 500K ohm	VOLUME		
F01b	<b>HS120100</b>	Variable Resistor	05A 250K ohm	TONE		
F01c	<b>UA114220</b>	Mylar Cap.	0.022uF 50 K			
F01d	<b>QC234900</b>	Jack				
F03	<b>QA025000</b>	Pickup Switch	3-P GOLD			
F06	<b>VA295700</b>	Washer	BL			
F11	<b>ET800010</b>	Toothed Lock Washer	A12S			
F13	<b>VB518300</b>	Jack Panel	BL			05
F14	<b>EB620020</b>	Oval Head Wood Screw	2.7X13 FCM3BL (BL)		2	03
F15	<b>LX200020</b>	Hexagonal Nut	9S FCM33G			01
F16	<b>LX200010</b>	Flat Washer	9S FCM3BL			01
F17	<b>ET800180</b>	Toothed Lock Washer	A9S FNM33G			
F18	<b>EA620060</b>	Round Head Wood Screw	2.7X13 FCM33G (CR)		2	
* G01	<b>QC477700</b>	Pickup Assembly		Front		
* G01a	<b>QC473800</b>	Pickup Escutcheon	Ivory			
G03	<b>VJ388800</b>	Round Head Wood Screw	2.6X35 FCM3BL (BL)		2	
G04	<b>CB817760</b>	Pickup Cushion				
* G10	<b>QC477700</b>	Pickup Assembly		Rear		
* G10a	<b>QC473800</b>	Pickup Escutcheon	Ivory			
G11	<b>CB817760</b>	Pickup Cushion				
G12	<b>VJ388800</b>	Round Head Wood Screw	2.6X35 FCM3BL (BL)		2	
H01	<b>QC354400</b>	Accessory Unit (G-5)		1set		08
*	<b>QC466600</b>	Bridge Assembly	TP6-3 (GOLD)			

\* New Parts

RANK:Japan only

### WARNING: CHEMICAL CONTENT NOTICE!

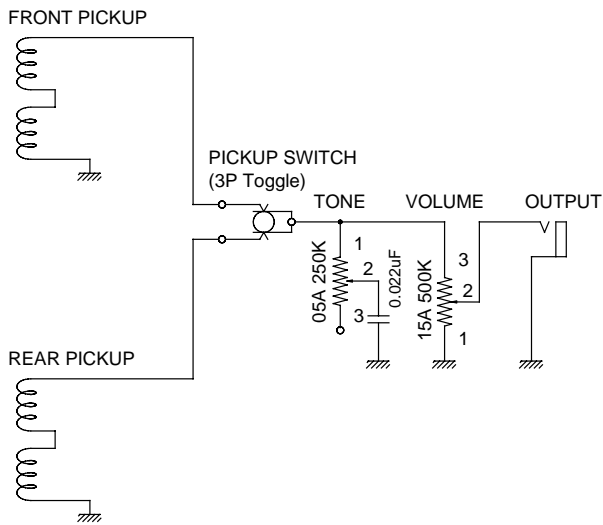
The solder used in the production of this product contains LEAD. In addition, other electrical/electronic and/or plastic (where applicable) components may also contain traces of chemicals found by the California Health and Welfare Agency (and possibly other entities) to cause cancer and/or birth defects or other reproductive harm.

DO NOT PLACE SOLDER, ELECTRICAL/ELECTRONIC OR PLASTIC COMPONENTS IN YOUR MOUTH FOR ANY REASON WHAT SO EVER!

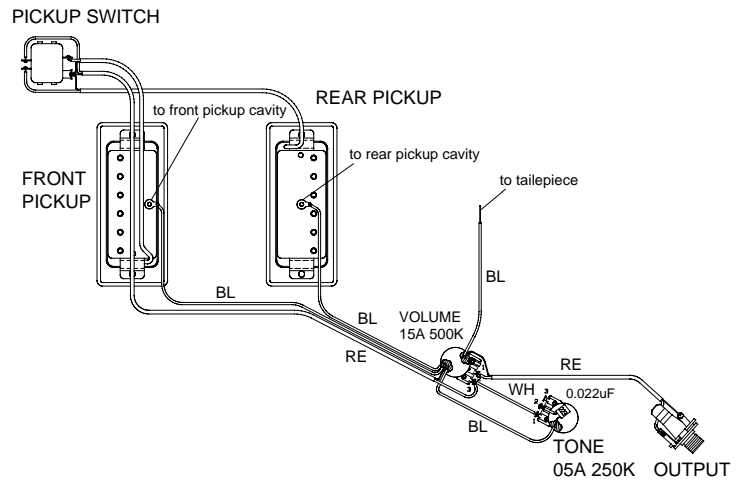
Avoid prolonged, unprotected contact between solder and your skin! When soldering, do not inhale solder fumes or expose eyes to solder/flux vapor!

If you come in contact with solder or components located inside the enclosure of this product, wash your hands before handling food.

## ■ CIRCUIT DIAGRAM



## ■ WIRING



## ■ SPECIFICATIONS

### ● STANDARD SPECIFICATIONS

Scale Length .....628.6mm  
 Body-Neck Construction .....Bolt On  
 Length .....979.0mm  
 Width .....360.0mm  
 Net Weight .....3.0kg

### ● COLOR

Body  
 BL .....Black  
 OST-WB .....Orange Satin  
 BS-WB .....Brown Sunburst

Neck  
 BL .....Black

### ● BODY

Material .....Alder, Spruce, Sycamore  
 Body Depth .....47.0mm

### ● FINGERBOARD

Material .....Rosewood  
 Fingerboard Width .....0-F 43.0 mm, 12-F 52.3 mm  
 No. of Frets .....22

### ● NECK

Material .....Maple  
 Neck Thickness .....1-F 20.9 mm, 12-F 23.1 mm

### ● PARTS

Hardware .....Gold Plated  
 Nut .....Urea  
 Bridge .....TP6-3: Gold  
 Strings .....XL-115

### ● CONTROLS

Volume .....15A 500k ohm x 1  
 Tone .....05A 250k ohm x 1  
 Pickup Switch .....Toggle switch: Gold  
 (3 position)

### ● PICKUPS

Front/ Rear .....Small Humbucking  
 Magnet  
 Front/Rear .....Alnico

## Free Manuals Download Website

<http://myh66.com>

<http://usermanuals.us>

<http://www.somanuals.com>

<http://www.4manuals.cc>

<http://www.manual-lib.com>

<http://www.404manual.com>

<http://www.luxmanual.com>

<http://aubethermostatmanual.com>

Golf course search by state

<http://golfingnear.com>

Email search by domain

<http://emailbydomain.com>

Auto manuals search

<http://auto.somanuals.com>

TV manuals search

<http://tv.somanuals.com>