

ELECTRIC BASS BB3000 MA

SERVICE MANUAL



WARNING : CHEMICAL CONTENT NOTICE!

The solder used in the production of this product contains LEAD. In addition, other electrical/electronic and/or plastic (Where applicable) components may also contain traces of chemicals found by the California Health and Welfare Agency (and possibly other entities) to cause cancer and/or birth defects or other reproductive harm.

DO NOT PLACE SOLDER, ELECTRICAL/ELECTRONIC OR PLASTIC COMPONENTS IN YOUR MOUTH FOR ANY REASON WHAT SO EVER!

Avoid prolonged, unprotected contact between solder and your skin! When soldering, do not inhale solder fumes or expose eyes to solder/flux vapor!

If you come in contact with solder or components located inside the enclosure of this product, wash your hands before handling food.

■ CONTENTS

OVERALL ASSEMBLY	2
CIRCUIT DIAGRAM	4
WIRING	4
SPECIFICATIONS	4

This document is printed on chlorine free (ECF) paper with soy ink.

EG 011568

20010420-220000



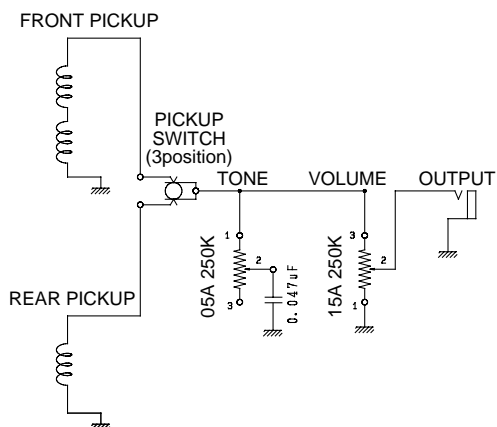
HAMAMATSU, JAPAN

REF NO.	PART NO.	DESCRIPTION		REMARKS	QTY	RANK
D01	--	OVERALL ASSEMBLY Body		BB3000 MA		
* E01	QC604900	Tuning Machine Assembly	HB1 (Nickel) by HipShot	1-3 Strings	3	
* E02	QC605000	Tuning Machine Assembly	BT1 (Nickel) by HipShot	4 String		
E03	EA620030	Round Head Wood Screw	2.4X10 FNM33G	Nickel	16	01
* E04	QC605800	String Guide	Nickel			
* E05	QC607000	Round Head Wood Screw	2.7X20 FNM33G	Nickel		
* E06	QC631100	Nut	40mm Bone			
E08	--	Strings	H4030	(AA80931)		
E10	CB821460	Rod Cover	ABS (Black)			03
E11	03706220	Oval Head Wood Screw	2.1X10 FCM3BL	Black		01
E13	BB801850	Strap Button	Nickel		2	02
E14	EN230150	Oval Head Tapping Screw	3.5X25 FNM33G	Nickel	2	
E15	VB793700	Spacer	Black		2	01
* E17	QC614600	Bridge Assembly	GEB201N (Nickel)			
* E18	QC607100	Oval Head Tapping Screw	3.0X35 FNM33G	Nickel	5	
* E20	QC620900	Knob Assembly		O Ring x 2	2	
E20a	AAAX16560	Screw	M3.0X6 ZMC-BL	Black	2	
E22	CB809560	Back Cover				05
E23	EB620020	Oval Head Wood Screw	2.7X13 FCM3BL	Black	4	03
F01	--	Electrical Unit		(QC60680)		
F01a	HS120090	Variable Resistor	15A 250K ohm	VOLUME		03
F01b	HS120100	Variable Resistor	05A 250K ohm	TONE		03
F01c	FG244470	Ceramic Capacitor	0.047uF			01
F01d	KA300460	Pickup Switch	3-P #30046			11
F03	--	Round Nut				
F04	VA295700	Switch Washer				02
F05	--	Hexagonal Nut			2	
F06	--	Flat Washer			2	
F07	--	Toothed Lock Washer			4	
F08	QC288600	Jack				06
F08a	--	Hexagonal Nut				
F08b	--	Toothed Lock Washer				
F08c	--	Rubber Ring				
* G01	QC620700	Pickup Assembly		FRONT		
G02	EB630180	Oval Head Wood Screw	3.1X32 FCM3BL	Black	6	
* G03	QC620800	Pickup Escutcheon	Nickel			
G04	EB620050	Oval Head Wood Screw	2.7X13 FNM33G	Nickel	6	01
* G05	QC605300	Pickup Assembly		REAR		
G06	EB620050	Oval Head Wood Screw	2.7X13 FNM33G	Nickel	4	01
H01	QC085800	Accessory Unit (113)				08
	QA262600	Cord	D			05
	--	Wrench	#1.5			
	--	Box Wrench				
105	--	Hard Case	G&G GB20	(QC61470)		
* B01	QC614600	Bridge Assembly	GEB201N (Nickel)			
* B02	AAAX23680	Bridge Base				
* B02	AAAX23690	Bridge Piece Assembly	1,2	1,2 Strings	2	
* B03	AAAX23700	Bridge Piece Assembly	3,4	3,4 Strings	2	

*: New Parts

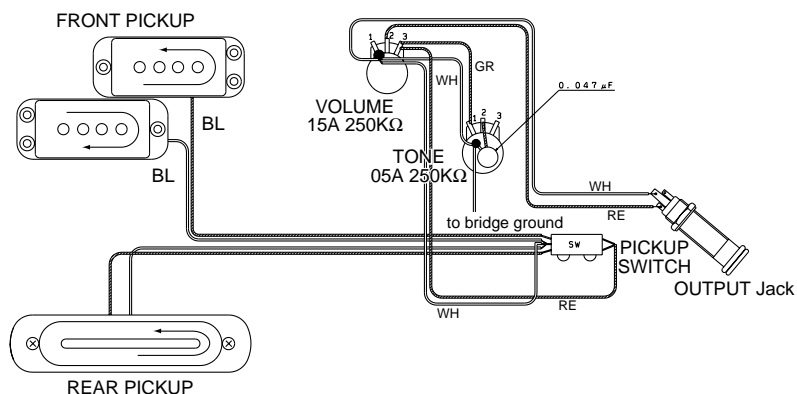
RANK: Japan only

■ CIRCUIT DIAGRAM



BPPJ-04

■ WIRING



■ SPECIFICATIONS

● STANDARD SPECIFICATIONS

Scale Length 860mm
 Body-Neck Construction Through Neck
 Length 1153.3mm
 Width 347mm
 Net Weight 4.0kg

● COLOR

Body
 BM Black Metallic
 MGS Mist Green Satin
 Neck
 BM Black Metallic
 MGS Mist Green Satin

● BODY

Material Alder
 Body Depth 41mm

● FINGERBOARD

Material Ebony
 Fingerboard Width 0-F 40.0 mm, 12-F 55.4 mm
 No. of Frets 21

● NECK

Material Maple+Mahogany
 Neck Thickness 1-F 21.0 mm, 12-F 23.5 mm

● PARTS

Hardware Nickel
 Nut Bone
 Bridge GEB201N: Nickel
 Strings H4030

● CONTROLS

Volume 15A 250KΩ x 1
 Tone 05A 250KΩ x 1
 Pickup Switch 3P Toggle Switch

● PICKUPS

Front Split Single Coil
 Rear Single Coil
 Magnet
 Front/Rear Alnico V

Free Manuals Download Website

<http://myh66.com>

<http://usermanuals.us>

<http://www.somanuals.com>

<http://www.4manuals.cc>

<http://www.manual-lib.com>

<http://www.404manual.com>

<http://www.luxmanual.com>

<http://aubethermostatmanual.com>

Golf course search by state

<http://golfingnear.com>

Email search by domain

<http://emailbydomain.com>

Auto manuals search

<http://auto.somanuals.com>

TV manuals search

<http://tv.somanuals.com>