

ELECTRIC GUITAR AES800B

SERVICE MANUAL

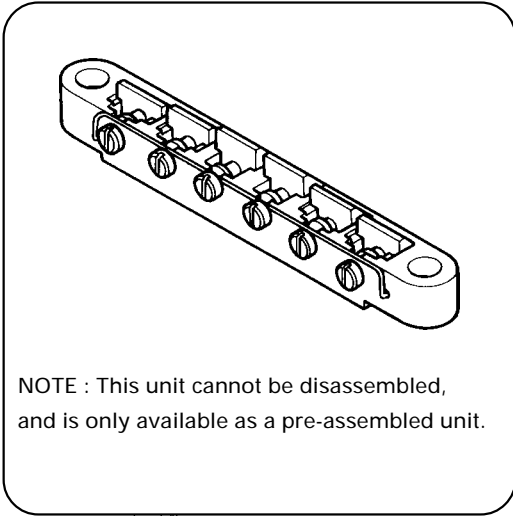


■ CONTENTS

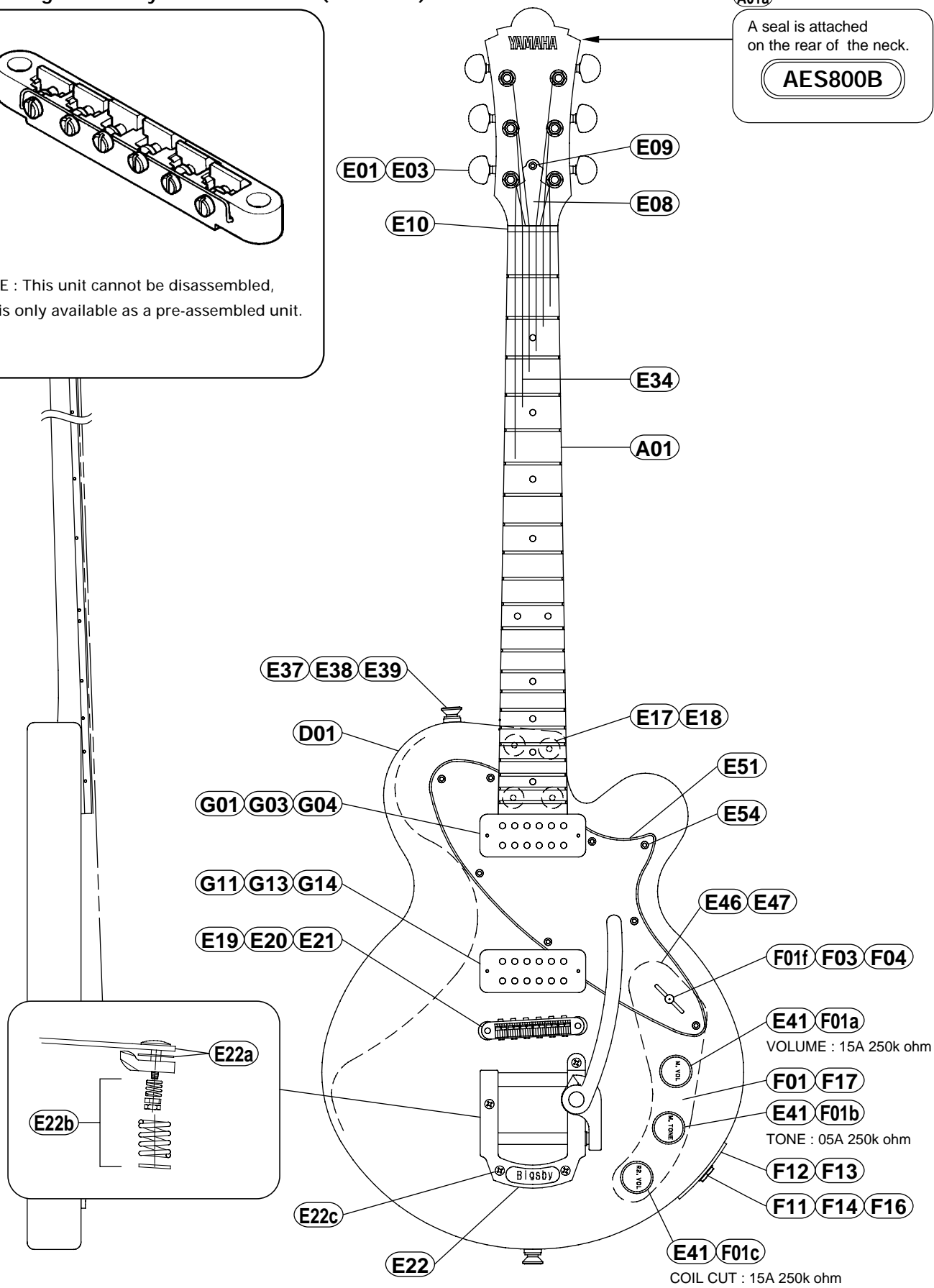
OVERALL ASSEMBLY	2
PARTS LIST	3
CIRCUIT DIAGRAM	4
WIRING	4
SPECIFICATIONS	4

OVERALL ASSEMBLY

E19 Bridge Assembly TP6-3C : Chrome (QC286100)



A01a
A seal is attached on the rear of the neck.
AES800B



COIL CUT : 15A 250k ohm

PARTS LIST

REF NO.	PART NO.	DESCRIPTION		REMARKS	QTY	RANK
A01	DX809310	OVERALL ASSEMBLY		AES800B		29
A01a	--	Neck Assembly		(QC48320)		
D01	--	Body				
E01	QA170600	Tuning Machine Assembly	RM1271 (CVR)	1set		15
E03	EA620040	Round Head Wood Screw	2.4X10 FCM33G (CR)		6	01
* E08	QC483600	Rod Cover				
E09	EB620020	Oval Head Wood Screw	2.7X13 FCM3BL (BL)			03
E10	VB344800	Nut	41mm (BL)			04
E17	QC205200	Neck Joint Bushing	BL		4	04
E18	VD762900	Oval Head Tapping Screw	4.0X40 FCM3BL (BL)		4	01
E19	QC286100	Bridge Assembly	TP6-3C (CR)			08
E20	QC286200	Bridge Adjust Screw	TP6-3SC (CR)		2	04
E21	QC286300	Nut	TP6-3BC (CR)		2	03
* E22	QC483400	Tailpiece Assembly	Bigsby B-5C (CR)			
* E22a	AX818510	Arm Assembly				
* E22b	AX818520	Spring Set				
* E22c	ER235252	Oval Head Wood Screw	3.5X25 FCM33G (CR)		4	01
E34	--	Strings	XL-120	1set (QC16510)		
E37	BB801510	Strap Button	ST type (CR)		2	04
E38	EN230140	Oval Head Tapping Screw	3.5X25 FCM33G (CR)		2	04
E39	VB793700	Spacer	BL		2	01
E41	CB807760	Knob	BL		3	03
* E46	QC483700	Back Cover	Electrical			
E47	03706330	Oval Head Wood Screw	2.7X13 FCM33G (CR)		5	
* E51	QC483500	Pick Guard				
E54	03706330	Oval Head Wood Screw	2.7X13 FCM33G (CR)		8	
F01	--	Electrical Unit		(QC41580)		
F01a	HS120090	Variable Resistor	15A 250K ohm	VOLUME		03
F01b	HS120100	Variable Resistor	05A 250K ohm	tone		03
F01c	HS120090	Variable Resistor	15A 250K ohm	COIL CUT		03
F01d	UA114220	Mylar Cap.	0.022uF 50 K			01
F01e	UA114470	Mylar Cap.	0.047uF 50 K			01
F01f	VJ398000	Pickup Switch	4pole 5position			14
F03	CB807510	Knob	WH			02
F04	EC030080	Flat Head Screw	3.0X8 FCM3BL (BL)		2	01
F11	QC234800	Electrical Unit (Jack)				06
F12	VB518300	Jack Panel	BL			05
F13	EB620020	Oval Head Wood Screw	2.7X13 FCM3BL (BL)		2	03
F14	LX200020	Hexagonal Nut	9S FCM33G			01
F16	ET800180	Toothed Lock Washer	A9S FNM33G		2	01
F17	EA620060	Oval Head Wood Screw	2.7X13 FCM33G (CR)		2	03
G01	VJ293000	Pickup Assembly	YHNQ2BKL	Front		24
G03	VJ388800	Pan Head Tapping Screw	2.6X35 FCM3BL (BL)		2	02
G04	QA197100	Pickup Spring			2	01
G11	VJ293100	Pickup Assembly	DB154BK#WU	Rear		24
G13	VJ388800	Pan Head Tapping Screw	2.6X35 FCM3BL (BL)		2	02
G14	QA197100	Pickup Spring			2	01
H01	QC354000	Accessory Unit (G-1)				07
E19	QC286100	Bridge Assembly	TP6-3C (CR)			08

*: New Parts

RANK : Japan only

WARNING : CHEMICAL CONTENT NOTICE!

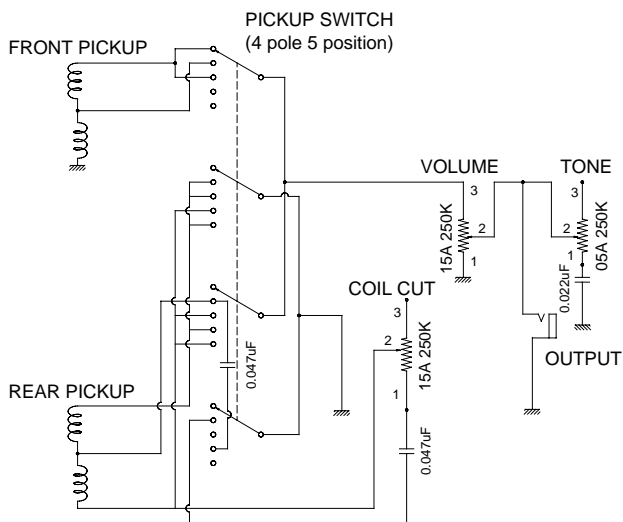
The solder used in the production of this product contains LEAD. In addition, other electrical/electronic and/or plastic (Where applicable) components may also contain traces of chemicals found by the California Health and Welfare Agency (and possibly other entities) to cause cancer and/or birth defects or other reproductive harm.

DO NOT PLACE SOLDER, ELECTRICAL/ELECTRONIC OR PLASTIC COMPONENTS IN YOUR MOUTH FOR ANY REASON WHAT SO EVER!

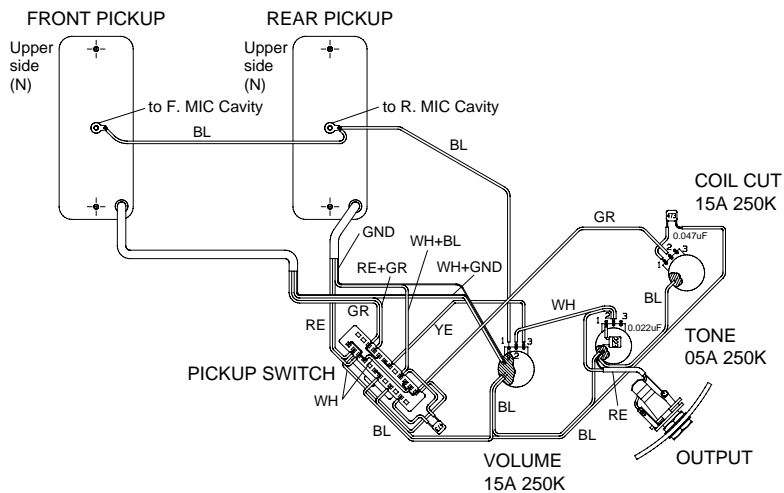
Avoid prolonged, unprotected contact between solder and your skin! When soldering, do not inhale solder fumes or expose eyes to solder/flux vapor!

If you come in contact with solder or components located inside the enclosure of this product, wash your hands before handling food.

CIRCUIT DIAGRAM



WIRING



SPECIFICATIONS

STANDARD SPECIFICATIONS

Scale Length 648.0mm
 Body-Neck Construction Bolt On
 Length 1025.0mm
 Width 345.0mm
 Net Weight 3.4kg

COLOR

Body
 SLB Shelby Blue
 Neck
 BL Black

BODY

Material Alder
 Body Depth 44.0mm

FINGERBOARD

Material Rosewood
 Fingerboard Width 0-F 42.2mm, 12-F 51.4mm
 No. of Frets 22

NECK

Material Maple
 Neck Thickness 1-F 20.9mm, 12-F 22.9mm

PARTS

Hardware Chrome Plated
 Nut Urea
 Bridge TP6-3C : (Chrome)
 Tailpiece Bigsby B-5C : Chrome
 Strings XL-120

CONTROLS

Volume 15A 250k ohm x 1
 Tone 05A 250k ohm x 1
 Coil Cut 15A 250k ohm x 1
 Pickup Switch 4 pole 5 position Lever Switch

PICKUPS

Front Humbucking
 YHNQ2BKL (DIMARZIO)
 Rear Humbucking
 DP154BK#WU (DIMARZIO)

Magnet

Front/Rear Ferrite

Free Manuals Download Website

<http://myh66.com>

<http://usermanuals.us>

<http://www.somanuals.com>

<http://www.4manuals.cc>

<http://www.manual-lib.com>

<http://www.404manual.com>

<http://www.luxmanual.com>

<http://aubethermostatmanual.com>

Golf course search by state

<http://golfingnear.com>

Email search by domain

<http://emailbydomain.com>

Auto manuals search

<http://auto.somanuals.com>

TV manuals search

<http://tv.somanuals.com>