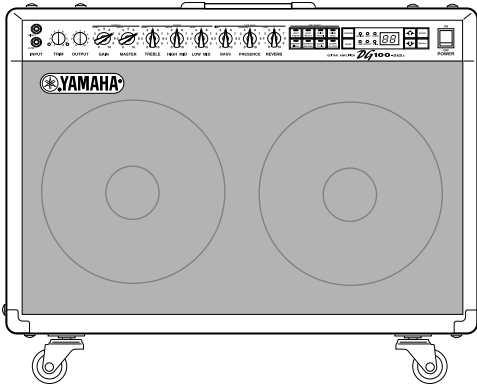
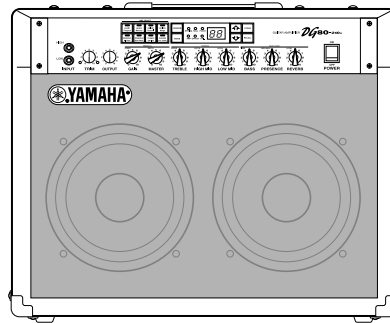


GUITAR AMPLIFIER
DG100-212A

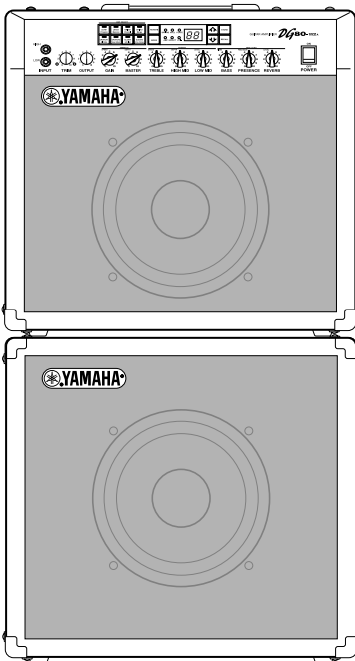


GUITAR AMPLIFIER
DG80-210A

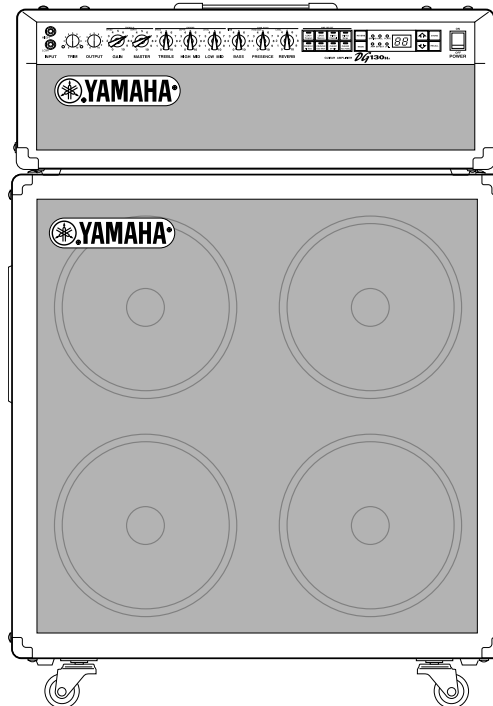


Owner's Manual

GUITAR AMPLIFIER
DG80-112A



GUITAR AMPLIFIER HEAD
DG130HA



Mode d'emploi

Bedienungsanleitung

Manual del Usuario

Manuale di Istruzioni

SPEAKER ENCLOSURE
S112

SPEAKER ENCLOSURE
S412V

Handleiding

FCC INFORMATION (U.S.A.)

1. IMPORTANT NOTICE: DO NOT MODIFY THIS UNIT!

This product, when installed as indicated in the instructions contained in this manual, meets FCC requirements. Modifications not expressly approved by Yamaha may void your authority, granted by the FCC, to use the product.

2. IMPORTANT:

When connecting this product to accessories and/or another product use only high quality shielded cables. Cable/s supplied with this product MUST be used. Follow all installation instructions. Failure to follow instructions could void your FCC authorization to use this product in the USA.

3. NOTE:

This product has been tested and found to comply with the requirements listed in FCC Regulations, Part 15 for Class "B" digital devices. Compliance with these requirements provides a reasonable level of assurance that your use of this product in a residential environment will not result in harmful interference with other electronic devices. This equipment generates/uses radio frequencies and, if not installed and used according to the instructions found in the users manual, may cause interference harmful to the operation of other electronic devices. Compliance with FCC regula-

tions does not guarantee that interference will not occur in all installations. If this product is found to be the source of interference, which can be determined by turning the unit "OFF" and "ON", please try to eliminate the problem by using one of the following measures:

Relocate either this product or the device that is being affected by the interference.

Utilize power outlets that are on different branch (circuit breaker or fuse) circuits or install AC line filter/s.

In the case of radio or TV interference, relocate/reorient the antenna. If the antenna lead-in is 300 ohm ribbon lead, change the lead-in to co-axial type cable.

If these corrective measures do not produce satisfactory results, please contact the local retailer authorized to distribute this type of product. If you can not locate the appropriate retailer, please contact Yamaha Corporation of America, Electronic Service Division, 6600 Orangethorpe Ave, Buena Park, CA90620

The above statements apply ONLY to those products distributed by Yamaha Corporation of America or its subsidiaries.

* This applies only to products distributed by YAMAHA CORPORATION OF AMERICA.

CANADA

This Class B digital apparatus complies with Canadian ICES-003.

Cet appareil numérique de la classe B est conforme à la norme NMB-003 du Canada.

- This applies only to products distributed by Yamaha Canada Music Ltd.
- Ceci ne s'applique qu'aux produits distribués par Yamaha Canada Musique Ltée.

ADVARSELI

Lithiumbatteri—Eksplodingsfare ved fejlagtig håndtering. Udskiftning må kun ske med batteri af samme fabrikat og type. Levér det brugte batteri tilbage til leverandøren.

VARNING

Explosionsfara vid felaktigt batteribyte. Använd samma batterityp eller en ekvivalent typ som rekommenderas av apparattillverkaren. Kassera använt batteri enligt fabrikantens instruktion.

VAROITUS

Paristo voi räjähtää, jos se on virheellisesti asennettu. Vaihda paristo ainoastaan laitevalmistajan suosittelemaan tyyppiin. Hävitä käytetty paristo valmistajan ohjeiden mukaisesti.

NEDERLAND / NETHERLAND

- Dit apparaat bevat een lithium batterij voor geheugen back-up.
- This apparatus contains a lithium battery for memory back-up.
- Raadpleeg uw leverancier over de verwijdering van de batterij op het moment dat u het apparaat aan het einde van de levensduur afdankt of de volgende Yamaha Service Afdeling:
Yamaha Music Nederland Service Afdeling
Kanaalweg 18-G, 3526 KL UTRECHT
Tel. 030-2828425
- For the removal of the battery at the moment of the disposal at the end of the service life please consult your retailer or Yamaha Service Center as follows:
Yamaha Music Nederland Service Center
Address : Kanaalweg 18-G, 3526 KL UTRECHT
Tel : 030-2828425
- Gooi de batterij niet weg, maar lever hem in als KCA.
- Do not throw away the battery. Instead, hand it in as small chemical waste.

IMPORTANT NOTICE FOR THE UNITED KINGDOM

Connecting the Plug and Cord

WARNING: THIS APPARATUS MUST BE EARTHED IMPORTANT. The wires in this mains lead are coloured in accordance with the following code:

GREEN-AND-YELLOW : EARTH
BLUE : NEUTRAL
BROWN : LIVE

As the colours of the wires in the mains lead of this apparatus may not correspond with the coloured markings identifying the terminals in your plug proceed as follows:

The wire which is coloured GREEN-and-YELLOW must be connected to the terminal in the plug which is marked by the letter E or by the safety earth symbol or colored GREEN or GREEN-and-YELLOW.

The wire which is coloured BLUE must be connected to the terminal which is marked with the letter N or coloured BLACK.

The wire which is coloured BROWN must be connected to the terminal which is marked with the letter L or coloured RED.

- This applies only to products distributed by Yamaha-Kemble Music (U.K.) Ltd.



The exclamation point within the equilateral triangle is intended to alert the user to the presence of important operating and maintenance (servicing) instructions in the literature accompanying the product.



The lightning flash with arrowhead symbol, within the equilateral triangle, is intended to alert the user to the presence of uninsulated "dangerous voltage" within the product's enclosure that may be of sufficient magnitude to constitute a risk of electrical shock.

IMPORTANT SAFETY INSTRUCTIONS

INFORMATION RELATING TO PERSONAL INJURY, ELECTRICAL SHOCK, AND FIRE HAZARD POSSIBILITIES HAS BEEN INCLUDED IN THIS LIST.

WARNING- When using any electrical or electronic product, basic precautions should always be followed. These precautions include, but are not limited to, the following:

- 1.** Read all Safety Instructions, Installation Instructions, Special Message Section items, and any Assembly Instructions found in this manual BEFORE making any connections, including connection to the main supply.
- 2.** Do not attempt to service this product beyond that described in the user-maintenance instructions. All other servicing should be referred to qualified service personnel.
- 3.** **Main Power Supply Verification:** Yamaha products are manufactured specifically for the supply voltage in the area where they are to be sold. If you should move, or if any doubt exists about the supply voltage in your area, please contact your dealer for supply voltage verification and (if applicable) instructions. The required supply voltage is printed on the name plate. For name plate location, please refer to the graphic found in the Special Message Section of this manual.
- 4. DANGER-Grounding Instructions:** This product must be grounded and therefore has been equipped with a three pin attachment plug. If this product should malfunction, the ground pin provides a path of low resistance for electrical current, reducing the risk of electrical shock. If your wall socket will not accommodate this type plug, contact an electrician to have the outlet replaced in accordance with local electrical codes. Do NOT modify the plug or change the plug to a different type!
- 5. WARNING:** Do not place this product or any other objects on the power cord or place it in a position where anyone could walk on, trip over, or roll anything over power or connecting cords of any kind. The use of an extension cord is not recommended! If you must use an extension cord, the minimum wire size for a 25' cord (or less) is 18 AWG. NOTE: The smaller the AWG number, the larger the current handling capacity. For longer extension cords, consult a local electrician.
- 6.** **Ventilation:** Electronic products, unless specifically designed for enclosed installations, should be placed in locations that do not interfere with proper ventilation. If instructions for enclosed installations are not provided, it must be assumed that unobstructed ventilation is required.
- 7.** **Temperature considerations:** Electronic products should be installed in locations that do not seriously contribute to their operating temperature. Placement of this product close to heat sources such as; radiators, heat registers etc., should be avoided.
- 8.** This product was NOT designed for use in wet/damp locations and should not be used near water or exposed to rain. Examples of wet /damp locations are; near a swimming pool, spa, tub, sink, or wet basement.
- 9.** This product should be used only with the components supplied or; a cart, rack, or stand that is recommended by the manufacturer. If a cart, rack, or stand is used, please observe all safety markings and instructions that accompany the accessory product.
- 10.** The power supply cord (plug) should be disconnected from the outlet when electronic products are to be left unused for extended periods of time. Cords should also be disconnected when there is a high probability of lightening and/or electrical storm activity.
- 11.** Care should be taken that objects do not fall and liquids are not spilled into the enclosure through any openings that may exist.
- 12.** Electrical/electronic products should be serviced by a qualified service person when:
 - a. The power supply cord has been damaged; or
 - b. Objects have fallen, been inserted, or liquids have been spilled into the enclosure through openings; or
 - c. The product has been exposed to rain; or
 - d. The product does not operate, exhibits a marked change in performance; or
 - e. The product has been dropped, or the enclosure of the product has been damaged.
- 13.** This product, either alone or in combination with an amplifier and headphones or speaker/s, may be capable of producing sound levels that could cause permanent hearing loss. DO NOT operate for a long period of time at a high volume level or at a level that is uncomfortable. If you experience any hearing loss or ringing in the ears, you should consult an audiologist.

IMPORTANT: The louder the sound, the shorter the time period before damage occurs.
- 14.** Some Yamaha products may have benches and/or accessory mounting fixtures that are either supplied as a part of the product or as optional accessories. Some of these items are designed to be dealer assembled or installed. Please make sure that benches are stable and any optional fixtures (where applicable) are well secured BEFORE using. Benches supplied by Yamaha are designed for seating only. No other uses are recommended.

PLEASE KEEP THIS MANUAL

Thank you for purchasing a Yamaha DG Series Guitar Amplifier.

The DG Series Digital Guitar Amplifiers were initially conceived and entirely developed by Yamaha. These digital guitar amps deliver powerful tube amp sounds and offer superior stability compared to other tube amplifiers. With eight different amp type settings from which to choose, the DG Series Guitar Amplifiers allow you to create a wide variety of original sounds. A total of 128 sound settings can be stored in their internal memory and freely recalled using the panel buttons or a MIDI foot controller. Also, the DG Series Guitar Amplifiers are equipped with four on-board digital effects (reverb, tremolo, chorus and tape echo) that can be utilized to add sonic color to your tonal creations, and a speaker simulator to add realistic speaker simulation to the line out signal. Its high level of quality and easy to use controls will enable you to create a wide variety of tonal colors.

The S412V enclosure is equipped with four 30 cm Celestion “Vintage 30” speakers and has a power rating of 240 watts.

The S112 enclosure is equipped with a 30 cm Celestion “G12H-100” speaker and has a power rating of 100 watts.

To get the best results and longest life out of your DG Series Guitar Amplifier, we recommend that you carefully read this manual, and keep it in a safe place for future reference.

DG100-212A/DG80-210A/DG80-112A/DG130HA

Precautions	5
The Panel Controls	6
■ Front Panel	6
■ Rear Panel	7
Connecting Speakers	8
■ For the DG100-212A	8
■ For the DG80-210A/DG80-112A	8
■ For the DG130HA	8
How to use your DG Series Amplifier	9
■ First, achieve sound output	9
■ Adjust the TRIM level	9
■ Sound Settings	9
■ Reverb Settings	9
■ Effect (Tremolo, Chorus, Tape Echo) Settings	9
Recall and Store	10
■ Recall Memory (Recall)	10
■ Store Settings	10
Easy to Use Functions	11
■ Using MIDI to Recall Memory	11
■ Using MIDI to Control Volume	11
■ Controlling Reverb, Tremolo, Chorus and Tape Echo via MIDI	11
■ Speaker Simulator	11

Utility Mode	12
■ Creating a Program Change Table	12
■ Set the MIDI Receive Channel	12
■ Set the MIDI Merge	12
■ MIDI Bulk Out	12
■ MIDI Bulk In	12
■ MIDI Transmission/Reception between DG series amplifiers.	13
■ Speaker Simulator ON/OFF	13
■ Set the Volume Pedal Position	13
Error Messages	14
Specifications	15
MIDI Implementation Chart	82
Patch List	83

S412V/S112

Using the S412V/S112	16
-----------------------------------	-----------

Precautions

- Avoid using your amplifier and speaker in the following locations to prevent possible damage:
 - In direct sunlight or next to heating equipment.
 - Extremely cold or hot locations.
 - Locations exposed to high humidity or excessive dust.
 - Locations subject to strong shocks or vibration.
- Before making any connections, make sure that the power on the amplifier and any external devices is switched OFF.
- To protect the speaker from possible damage, always set the OUTPUT knob to "0" before switching the power ON/OFF.
- When connecting a speaker to this unit make sure to turn OFF the power first.
- Do not apply excessive force to the switches and controls.
- Your Yamaha guitar amplifier is a precision musical instrument. Handle it with care and avoid dropping or bumping it.
- Operating temperatures will rise during use. Make sure the amplifier is used in a well-ventilated area. The DG130HA should be placed in a position where there is at least 30 cm (12") clearance from the wall on the sides, top and back of the amplifier.
- For safety, always remove the power plug from the AC wall outlet if there is any danger of lightning striking in your area.

- Keep the amplifier away from neon signs or fluorescent lighting to prevent noise pickup.
- To prevent damage and possibly electrical shock, never open the case and tamper with the internal circuitry.
- Never use benzene, thinner or other volatile liquids for cleaning, as these chemicals may cause damage or discoloration to the finish. Always use a dry, soft cloth to wipe off dust and dirt.

About the Backup Battery (DG series Guitar Amplifiers)

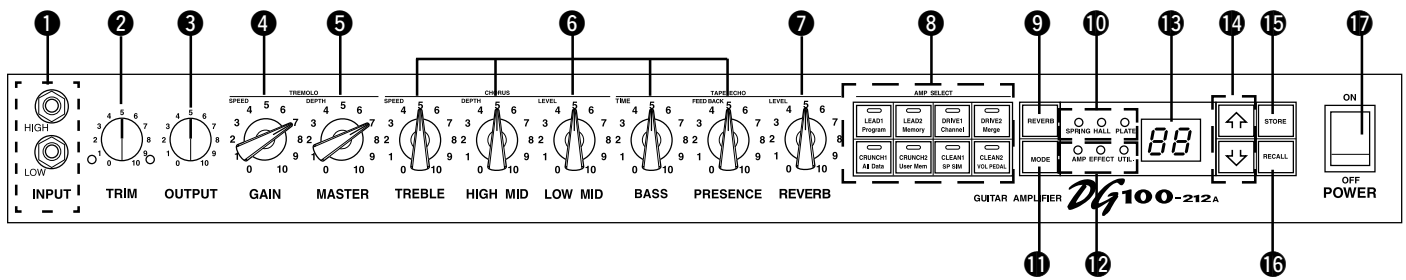
A backup battery (lithium battery) is used to keep internal data (settings) from being lost, even when the power cord is unplugged. Internal data will be lost when battery power is depleted, so it is recommended that data be stored to an external data recorder such as the Yamaha MIDI Data Filer MDF3 (→ page. 12), or keep records of settings in memo form. The average battery life span is about 3 years. When replacement becomes necessary contact the music store where the unit was purchased, or a qualified service representative, to perform the replacement.

- Do not attempt to replace the backup battery by yourself.
- Keep the backup battery out of reach of children.
- "E5" appears in the display when the battery becomes depleted. Internal data may be lost.
- Data may be lost if the unit is improperly handled or if repairs are performed.

The Panel Controls

■ Front Panel

* The DG100-212A is shown in the illustration.



1 Input Jack (INPUT HIGH, LOW)

Connect the guitar to this jack. Guitars with a high output level should be connected to the LOW jack. Those with low output levels should be connected to the HIGH jack.

* Switch the power OFF before connecting the guitar.

2 Trim Control (TRIM)

Used to match the guitar's output level to the pre-amp's input level. (→ page 9.)

* TRIM level settings are not stored in memory.

3 Output Level Control (OUTPUT)

Used to control the output volume of the power amp.

Sets the amount of output of sound created by the preamp's GAIN, MASTER, Tone Controls, etc. The volume is controlled without changing the tonal quality of the amp.

* Output level settings are not stored in memory.

* Has no effect on the level (volume) of the LINE OUT 24 jack.

4 Gain Volume (GAIN)

Used to control the amount of distortion.

* Sound is not produced if the GAIN is set to 0, even when the MASTER VOLUME 5 is turned up.

When the Effect Mode is engaged, the GAIN knob is used to adjust the tremolo's SPEED setting. (→ page 9.)

5 Master Volume (MASTER)

Used to control the overall volume of GAIN and tone control settings. It also controls the output level of the preamp.

* Master level settings are stored in memory.

When the Effect Mode is engaged, the MASTER knob is used to adjust the tremolo's DEPTH setting. (→ page 9.)

6 Tone Controls

(TREBLE, HIGH MID, LOW MID, BASS, PRESENCE)

Used to control the levels of their respective frequencies.

When the effect mode is engaged, it is possible to make the following adjustments; (→ page 9.)

- TREBLE, HIGH MID, LOW MID → chorus' SPEED, DEPTH, LEVEL
- BASS, PRESENCE → tape echo's TIME, FEED BACK

7 Reverb Volume (REVERB)

Used to control the amount of the reverb. (→ page 9.)

When the Effect Mode is engaged, the REVERB knob is used to adjust the tape echo's LEVEL setting. (→ page 9.)

8 Amp Select Button/Amp Select Display

(LEAD 1, 2/DRIVE 1, 2/CRUNCH 1, 2/CLEAN 1, 2)

Used to select one of the eight preset amp types. The currently selected amp type is shown on the display. (→ page 9.)

When the Utility Mode is engaged, these switches are used to switch MIDI functions and the Speaker Simulator ON or OFF, etc. (→ page 12.)

* When the Amp Select button is pressed, knobs 4 – 6 return to their preset positions (GAIN and MASTER = 7, Tone Controls all = 5). The position of the REVERB knob does not change.

9 Reverb Type Select Button (REVERB)

10 Reverb Type Display Lamp (SPRING, HALL, PLATE)

Press the [REVERB] button to select the reverb type. The lamp corresponding to the selected reverb type will light. (→ page 9.)

11 Mode Select Button (MODE)

12 Mode Display Lamp (AMP/EFFECT/UTIL.)

Displays the currently selected mode.

• AMP (Amp Mode)

Normal playing mode. All knobs and buttons on the panel function as marked. (Dual function knobs and buttons will function according to their lower indications.)

This mode is automatically engaged whenever a memory is recalled.

• EFFECT (Effect Mode) → page 9

The Effect (tremolo, chorus, tape echo) setting mode.

When in the Amp Mode, press the [MODE] button once and quickly release to enter the Effect Mode.

• UTIL. (Utility Mode) → page 12

This mode is used to set MIDI functions, switch Speaker Simulation ON or OFF and set Volume Pedal position. When in the Amp Mode or Effect Mode, press the [MODE] button and hold for about one second to enter the Utility Mode.

13 Display

Displays Memory Numbers, Program Change Numbers, the MIDI Channel, etc.

14 / Buttons

Increases or decreases the memory number by 1. Also, increases or decreases values by 1. In the Utility Mode increases/decreases values by 1 or sets the function ON/OFF. Values change continuously when the button is pressed and held.

15 Store Button (STORE)

Press this button to save current sound settings to internal memory. (→ page 10.) Also, used to carry out MIDI Bulk Out operations. (→ page 12.)

16 Recall Button (RECALL)

Recalls the settings stored in memory. Use the / buttons to select a memory number (01 – 128), then press the [RECALL] button to recall those settings from memory. (→ page 10.)

17 Power Switch (POWER)

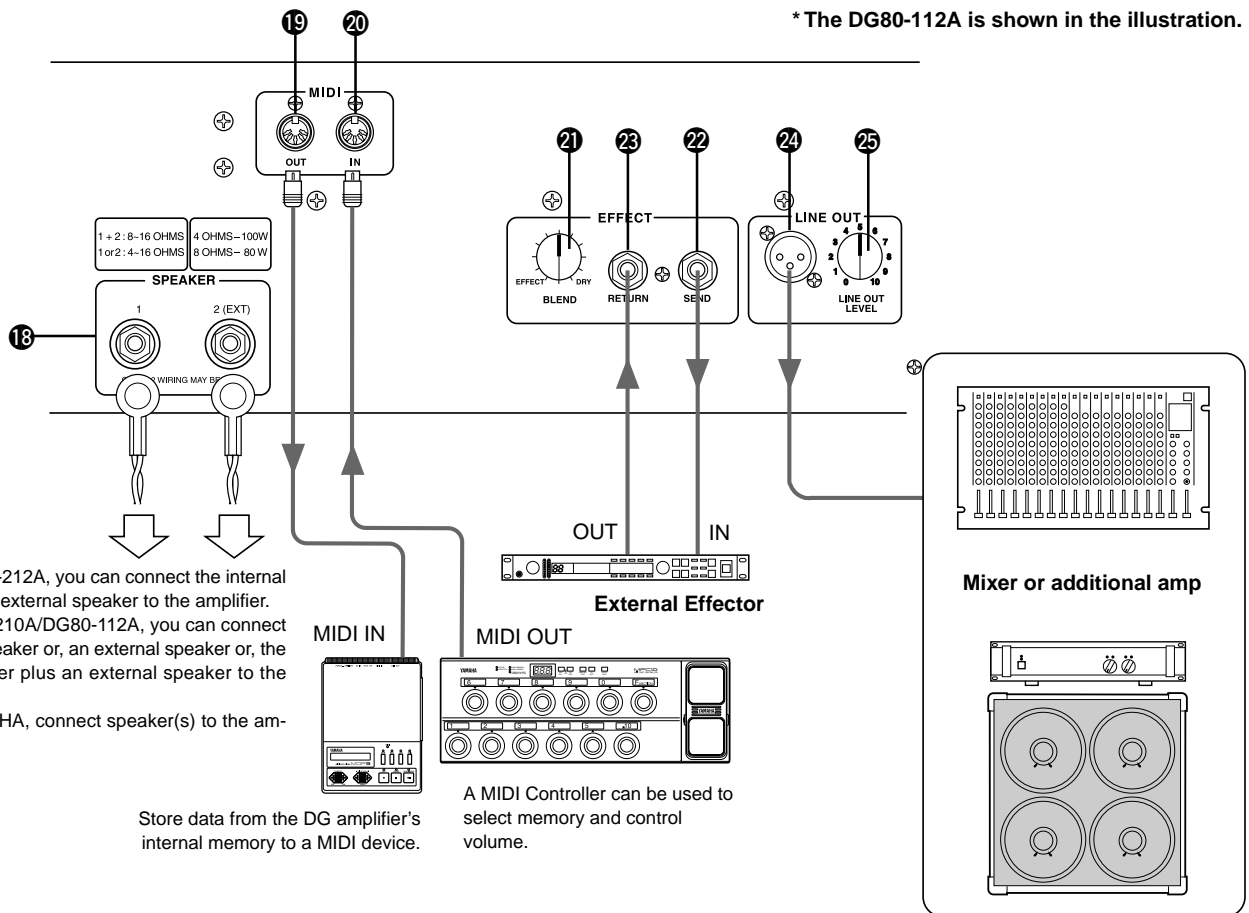
The power switch for the amplifier.

* To protect the speakers from possible damage, always set the OUTPUT 3 volume to "0" before turning the power ON/OFF.

■ Rear Panel

Before making any connections, make sure that the power on the DG amplifier and any external devices is switched **OFF**.

* The DG80-112A is shown in the illustration.



On the DG100-212A, you can connect the internal speaker or, an external speaker to the amplifier. On the DG80-210A/DG80-112A, you can connect the internal speaker or, an external speaker or, the internal speaker plus an external speaker to the amplifier. On the DG130HA, connect speaker(s) to the amplifier.

Store data from the DG amplifier's internal memory to a MIDI device.

A MIDI Controller can be used to select memory and control volume.

18 Speaker Jack (SPEAKER)

DG100-212A: The internal speaker is connected to the amp.
DG80-210A/DG80-112A: Equipped with 2 speaker jacks. The internal speaker is connected to the SPEAKER 1 jack.
DG130HA: Equipped with 2 speaker jacks.

Refer to the "Connecting Speakers" section on page 8 for instruction on the connection of speakers to the amp.

19 MIDI OUT Jack

Connect this jack to the MIDI IN jack of a device that can save MIDI data. The data stored in the DG amplifier's internal memory can then be transmitted to an external MIDI device for storage. (→ page 12: MIDI Bulk Out)
 Also, transmits MIDI data received by the MIDI IN jack 20, to an external device when MIDI Merge is set to ON. (→ page 12.)

20 MIDI IN Jack

Connect this jack to a MIDI Foot Controller's MIDI OUT jack, and the external foot controller can be used to control the DG amplifier. Memory selection, volume control, effects can all be controlled via an external foot controller. (→ page 11.)
 Also, memory data stored in an external storage device can be re-loaded into any DG amplifier's internal memory. (→ page 12 MIDI Bulk In)

21 Effect Blend Control (EFFECT BLEND)

22 Effect Send Jack (EFFECT SEND)

23 Effect Return Jack (EFFECT RETURN)

An external effector can be inserted into the signal circuit between the SEND/RETURN jacks. This allows further processing of the tone signal, created by the main unit, by an external effector. Use the BLEND knob to control the balance level between the external effector's sound (EFFECT) and the sound created by the DG amplifier (DRY). Rotating the knob fully to the EFFECT position allows only the sound produced by the external effector to be heard. Rotating the knob fully to the DRY position allows only the internal sound created by the amp to be heard, without the added coloration of the external effector.

* Connecting a plug to the RETURN jack disconnects the internal circuit. The signal returning from the effector enters the internal circuit here, where it goes on to the power amp → speaker. When the RETURN jack is not in use, the BLEND knob will have no affect.

Also, the SEND jack can function as a pre-out jack, and the RETURN jack can function as a main-in jack.

24 Line Out Jack (LINE OUT)

25 Line Out Level Control (LINE OUT LEVEL)

The same signal that is sent to the speaker output jack 18, is also sent to the LINE OUT jack at a line level (+4 dBm / 600 Ω). The amp also has an internal Speaker Simulator (can be switched ON/OFF → page 13.), the output level can be controlled with the LINE OUT LEVEL knob. The line signal can be sent to a mixer and can be used as an output jack to an external amp.

Connecting Speakers

Before connecting speakers to the speaker jack(s) check the power rating and impedance of the speaker and make sure they meet or are within the requirements recommended for the equipment.

■ For the DG100-212A

The amplifier's internal speaker (4 Ω) is connected to the speaker jack. If it is necessary, you can disconnect the internal speaker and connect an external speaker to the speaker jack.

When an external speaker is used, make sure the speaker(s) meets the following requirements.

- A power rating of at least 100 W, impedance of 4 – 8 Ω.

■ For the DG80-210A/DG80-112A

The amp's internal speaker (8 Ω) is connected to the SPEAKER 1 jack. The SPEAKER 2 (EXT) jack can be used to add an external speaker(s). Also, if necessary, you can disconnect the internal speaker to connect 2 external speakers directly to the amp. The two speaker jacks are connected in parallel. When external speakers are used, make sure the speakers meet the following requirements.

● When one speaker jack is used.

- A power rating of at least 100 W, impedance of 4 – 16 Ω.
- The total impedance for the speakers in a circuit must not be less than 4 Ω.

● When both speaker jacks are used.

- Speakers connected to each jack must have a power rating of at least 100 W, and impedance of 8 – 16 Ω.
- The total impedance for the speakers in a circuit must not be less than 4 Ω.

■ For the DG130HA

The amp is equipped with two speaker jacks. The two speaker jacks are connected in parallel. Make sure the speakers meet the following requirements.

● When one speaker jack is used.

- Power rating of at least 130 W, impedance of 4 – 16 Ω.
- The total impedance for the speakers in a circuit must not be less than 4 Ω.

● When both speaker jacks are used.

- Speakers connected to each jack must have a power rating of at least 100 W, and impedance of 8 – 16 Ω.
- The total impedance for the speakers in a circuit must not be less than 4 Ω.

Total Impedance

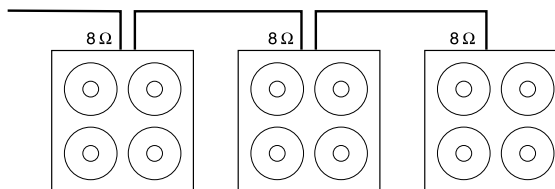
If two or more speakers are to be connected, you must take into consideration the total impedance of the speakers.

Speakers normally have an impedance of 4, 8 or 16 Ω. When two or more speakers are used together, the total impedance will change according to the manner in which the speakers are connected.

● Connecting in a series

The total impedance equals the impedance of the 1st speaker + 2nd speaker + 3rd speaker + ...

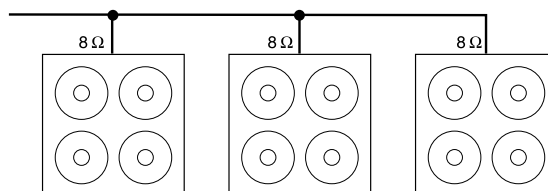
When three speakers are connected in a series, as shown below, the total impedance will be 24 Ω.



● Connecting in a parallel series

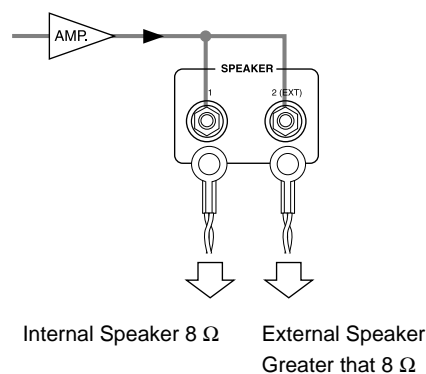
The total impedance =
$$\frac{1}{\frac{1}{1^{\text{st}} \text{ Speaker}} + \frac{1}{2^{\text{nd}} \text{ Speaker}} + \frac{1}{3^{\text{rd}} \text{ Speaker}} + \dots}$$

When three speakers are connected in a parallel series, as shown below, the total impedance will be about 2.7 Ω.



For the DG80-210A/DG80-112A

The two speaker jacks are connected in a parallel circuit internally therefore, adding a 4 Ω external speaker to the 8 Ω internal speaker results in a total impedance of 2 Ω. In order to maintain a minimum impedance of 4 Ω, an 8 Ω speaker or greater must be used as an external speaker.



How to use your DG Series Amplifier

To protect the speaker from possible damage, always set the OUTPUT knob to “0” before switching the power ON/OFF.

■ First, achieve sound output

1. With the DG amplifier's power switched OFF, connect your guitar to the INPUT jack on the front panel. To start with, try using the LOW jack.
2. With the OUTPUT knob set to “0”, switch the power ON.
3. As a starting point, set the TRIM level to “5” and strum the guitar. Then, gradually raise the OUTPUT level.
4. Once you have sound output, proceed to set the TRIM level as described in the following section.

■ Adjust the TRIM level

The TRIM level allows you to set the output level of the guitar to an optimum level that matches the DG amplifier's INPUT jack. With a well adjusted TRIM level, subtle picking nuances and the attack of a strong strum can be clearly heard. An improperly adjusted trim level will result in noise, feedback, and/or a cut up sound.

- * The output level between guitars does vary. Whenever you switch guitars, it will be necessary to readjust the trim level to match the guitar.
- * HIGH and LOW input levels are different. Even if the same guitar is used, make sure the TRIM level is readjusted whenever a different input jack is used.
- * Even when creating distortion, make sure that the TRIM level is properly adjusted, and use the GAIN control to produce distortion.

1. Set the guitar's volume to its maximum level and powerfully strum the guitar. Begin to adjust the TRIM level. An optimum level is achieved when the Green LED is lit.
2. Continue rotating the TRIM knob to the right, so long as the Red LED does not light. Set the TRIM level to “10” if the Red LED does not light.
 - * If the Red LED still does not light, lower the TRIM level, connect the guitar to the HIGH input jack and repeat the previous procedure.

■ Sound Settings

Choose one of the DG amplifier's eight preset amp types, then use the GAIN+MASTER, and tone controls to shape the guitar's sound.

1. Choose an amp type using one of the AMP SELECT buttons. The selected amp type button's LED will light.
2. Use the GAIN, MASTER, and the five tone controls to shape the guitar's sound.

HINT OUTPUT knob and MASTER knob

Turning either knob will change the volume. The MASTER knob controls the preamp's master volume. This setting is stored in memory. The OUTPUT knob controls the power amp's volume. This setting is not stored in memory. Volume levels for individual memory settings should be set with the MASTER knob. The speaker's output level should be controlled with the OUTPUT knob.

- * When an AMP SELECT button is pressed, all knobs (except TRIM, OUTPUT and REVERB) will return to their preset positions. (GAIN and MASTER = 7, all tone controls = 5. To save edited settings, refer to the “Store Settings” section on page 10.)

■ Reverb Settings

1. Press the REVERB button to select a reverb type. Each time the REVERB button is pressed, the type will cycle through SPRING → HALL → PLATE settings. The lamp for the selected reverb type will light.
2. Use the REVERB knob to adjust the amount of reverb.
 - * Reverb settings (type and REVERB knob settings) will remain in affect, even if the AMP SELECT button is pressed to change the amp type. When a different memory number is recalled, the reverb settings for that memory number will then be in affect.

■ Effect (Tremolo, Chorus, Tape Echo) Settings

1. Press the **MODE** button so that the EFFECT lamp is lit. When the EFFECT mode is entered each knob, GAIN — REVERB, will rotate to the positions set in the memory.
2. Use the GAIN — REVERB knobs to adjust the amount of each effect as needed.

● Tremolo Effect

- **GAIN (SPEED: Tremolo Speed)**
Sets the speed of the Tremolo Effect (the speed at which the effect's volume is increased and decreased). Rotate the knob to the right to increase the speed.
- **MASTER (DEPTH: Tremolo Depth)**
Sets the depth of the Tremolo Effect (the upper and lower limits of the effect's volume). Rotate the knob to the right to produce more effect.

● Chorus Effect

- **TREBLE (SPEED: Chorus Speed)**
Sets the speed of the Chorus Effect (the speed at which the effect's pitch is raised and lowered). Rotate the knob to the right to increase the speed.
- **HIGH MID (DEPTH: Chorus Depth)**
Sets the depth of the Chorus Effect (the upper and lower limits of the effect's pitch). Rotate the knob to the right to produce more effect.
- **LOW MID (LEVEL: Chorus Level)**
Sets the mix level of the Chorus Effect.

● Tape Echo Effect

- **BASS (TIME: Echo Time)**
Sets the amount of time between the sounding of the string and the echo sound (the amount of time it takes between one echo and the next). Rotate the knob to the right to increase the amount of time.
- **PRESENCE (FEEDBACK)**
Sets the length of time that the echo will repeat. Rotate the knob to the right to increase the length of time. Rotating the knob too much can result in uncontrollable feedback, please use caution.
- **REVERB (LEVEL: Echo Level)**
Sets the echo's volume level.

3. When the setting procedure is complete, press the **MODE** or **REVERB** button and the AMP lamp will light.

Each of the GAIN — REVERB knobs will revert to the positions they were to prior to entering the EFFECT mode.

- * Effect settings will remain in effect even if the AMP SELECT button is pressed to select another amp type. When you recall a different memory number with the “Recall Memory” function (refer to page 10), the settings for that memory number's effect will then be in affect.

With the procedures on this page, you can create an original sound (settings), and along with the reverb and effect settings they can be stored in the DG amplifier's internal memory for instant recall at any-time. The procedure for storing data in memory is explained on the next page.

Recall and Store

Preset setting data, specially created by Yamaha for the DG Series Amplifiers, is installed in memory numbers 1-80 when the amplifier is shipped from the factory. (Refer to the "Patch List" on page 83.)

Setting data contains Amp Type and its settings (GAIN, MASTER, Tone Control, Reverb, Tremolo, Chorus and Tape Echo) that you can recall freely and use at any time. Motor drives in the knobs will automatically set the knobs to the corresponding positions. Also, any settings that you create can be saved (store) to any of the memory numbers 1 – 128. After creating a favorite sound, try saving it.

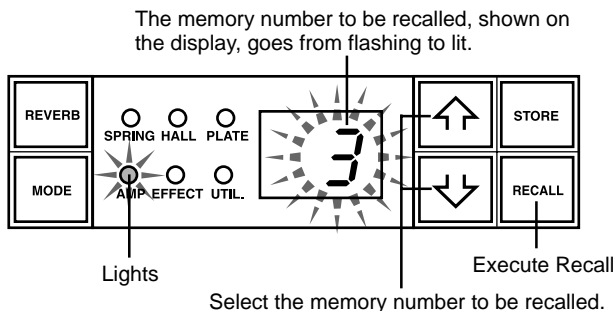
Recall Memory (Recall)

Sound settings stored in memory can easily be recalled by selecting a memory number.

When a memory is recalled, the current settings will be changed. If you want to keep the settings, use the Store operation, described on the right side of this page, to store settings to memory.

1. Press the **MODE** button, the AMP or EFFECT mode display will light.
2. Use the **↑** / **↓** buttons to select the memory number you want to recall. The memory number will appear on the display (flashing).
3. Press the **RECALL** button. The flashing memory number will light. Each of the knobs, and the Amp Select Display will change according to the data recalled from memory.

* Settings will not change until the **RECALL** button is pushed.
 * TRIM and OUTPUT knob settings will not change with the Recall operation.
 * It takes anywhere from 1 – 10 seconds for the knobs to change to their set positions however, internal settings (sound) will change instantly.
 * "E 1" will appear on the display if the volume knob does not go to its assigned position, or the device does not recognize the recall command after 20 seconds has elapsed from the start of the recall operation. Continued use of the device in this condition may result in fire or electrical shock. Take the unit to the music dealer where you purchased it, or to the nearest Yamaha Service Center for repair.



A MIDI foot controller or other external MIDI device can be used to select and recall memory. Refer to the following page to page 13 for details.

Initialize the memory

While holding both the **LEAD 1** button and **RECALL** button, turn the Power Switch ON, the initialize to factory preset operation will be carried out and the entire memory will be returned to its factory preset condition.

When the initialize operation is carried out, data in memory numbers 1-80 will be re-written with data in the Patch List and the data in memory numbers 81 – 128 will also be reset to their factory preset condition. Any data you have saved to memory will be erased, so we strongly recommend that you save any important data to an external MIDI device or document the settings before carrying out the operation.

Store Settings

1. Use the procedure on page 9 and create a sound using the eight preset amp types and control knobs on the front panel.

* Each of the Utility Mode's settings cannot be stored in individual memory. When the power is switched OFF, each memory's settings are stored in memory as common settings. When the power is turned ON, those settings are recalled.

2. Press the **MODE** button, the AMP or EFFECT mode display lamp will light.
3. Using the **↑** / **↓** buttons, select a memory number to which the settings will be saved. The memory number will flash in the display.

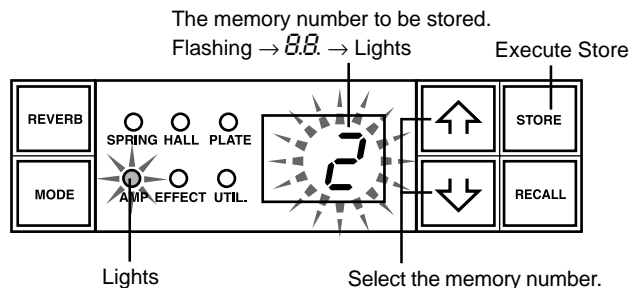
* Press and hold either of the **↑** / **↓** buttons makes memory numbers cycle rapidly.
 * The third digit of the memory number (100 – 128) is represented by a dot between the two digits.

Example) 128 is displayed as → 2.8

4. Press and hold the **STORE** button for about one second, until "8.8" appears on the display.

Release the button, the flashing memory number will then light indicating the setting is saved to memory.

* TRIM and OUTPUT settings cannot be stored in memory. Use the MASTER knob to set backing and soloing levels.



Data stored in memory (1 – 128) can be saved to an external MIDI storage device. Refer to page 12 for details.

HINT Some hints on storing memory numbers

When storing data to memory numbers, divide the memory numbers 1 – 128 into several groups. Recalling memory numbers from these groups is much more convenient. For example:

- Create groups according to the amp type used (LEAD1, DRIVE 1, etc.).
- Create groups based on sound types (Distortion, Clean, etc.).
- Create groups based on live performance song lists.
- Create groups based on the type of guitar used (humbucker, etc.).

It is also a good idea to keep a chart handy listing the types of sounds are stored in memory numbers.

Easy to Use Functions

MIDI commands can be used to select memory numbers, control the reverb, tremolo, chorus and tape echo effects, and control volume on the DG amplifier. A speaker simulator can also be applied to the LINE OUT signal.

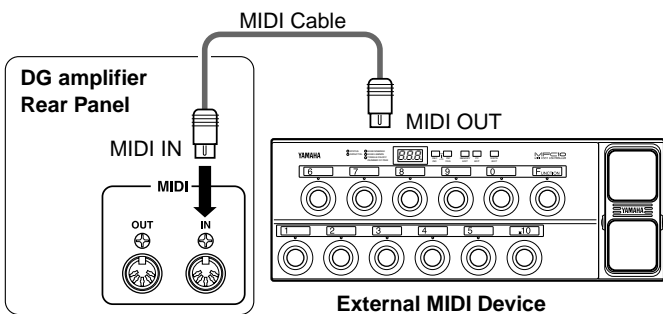
What is MIDI? MIDI is the acronym for Musical Instruments Digital Interface. MIDI is a world-wide standard communication interface that allows MIDI compatible musical instruments, computers and other MIDI devices to share musical information and control one another regardless of instrument type or maker.

■ Using MIDI to Recall Memory

Program changes sent from a Yamaha MIDI Foot Controller MFC10, etc., or an external MIDI device can be used to recall settings in the DG amplifier's memory.

1. With a MIDI cable, connect the DG amplifier's MIDI IN jack to the MIDI OUT jack on an external MIDI device.

* Use only a standard MIDI cable that is less than 15 meters in length. Use of a longer cable may result in abnormal operation.



2. Set the DG amplifier's MIDI receive channel and the MIDI transmit channel on the external device to the same MIDI channel number (the factory preset channel number is 1).

→ For setting instructions see page 12 "Set the MIDI Receive Channel".

3. Create a program change table*1. (The factory preset is, program change number = memory number).

→ For setting instructions see page 12 "Creating a Program Change Table".

*1 For example, "the received program change number 1, recalls the DG amplifier's memory number 5". To achieve this, the received program change number must be assigned to the corresponding memory number.

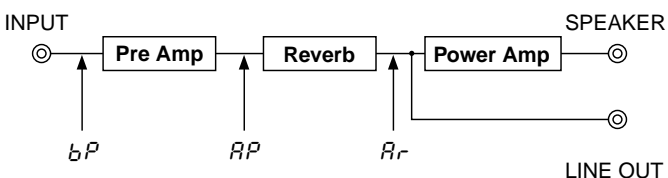
4. When program memory data is transmitted from an external MIDI device, data in the corresponding memory assigned to the program change table will be recalled.

* For instructions on how to transmit program change data, check the owner's manual of the external MIDI device you are using.

■ Using MIDI to Control Volume

You can control the DG amplifier's overall volume from an external MIDI device using a number 7 control change message (main volume) sent from the MIDI OUT jack of an external MIDI device to the DG amplifier's MIDI IN jack. By connecting a Yamaha MIDI Foot Controller MFC10, etc., or a MIDI device equipped with a foot pedal, you can use the foot pedal to control the volume during performance. Using the following three positions, you can select the control position as to where the volume is changed.

- "bP" : Before Pre Amp. Controls the volume before the preamp.
- "AP" : After Pre Amp. Controls the volume after the preamp.
- "Ar" : After REVERB: Controls the volume after the reverb.



1. Using procedures 1. and 2. in the previous "MIDI Memory Recall" section, connect the external MIDI device and set the MIDI receive channel.

2. Next, select the volume control position.

→ For instructions on the setting procedure, refer to page 13 "Set the Volume Pedal Position".

3. In this condition, number 7 control change data transmitted from an external MIDI device will now control the DG amplifier's volume.

* The DG amplifier does not except MIDI control changes other than numbers 7 and 91 to 94.

* For more information on transmitting control data, refer to your external MIDI device's owner's manual.

* Even if another memory number is selected, main volume data will not change.

* When the power is switched ON, main volume data is set to its maximum level.

* After the main volume data is changed, and the external MIDI device is disconnected, the volume level may be insufficient. In this case, transmit the volume change again or, turn the power OFF and then ON again.

■ Controlling Reverb, Tremolo, Chorus and Tape Echo via MIDI

You can adjust the Reverb Level (No. 91), Tremolo Depth (No. 92), Chorus Level (No. 93) and Tape Echo Level (No. 94) settings by transmitting control change messages from an external MIDI device's MIDI OUT jack to the DG Guitar Amp's MIDI IN jack.

1. Connect an external MIDI device as described steps 1 and 2 of the "Using MIDI to Recall Memory" section on this page and set the MIDI receive channel.

2. Transmit the parameter control change number and control change data from the external MIDI device and you can control the effect parameters listed above.

* For further information regarding the transmission of control change data, refer to your external MIDI device's owner's manual.

■ Speaker Simulator

The DG amplifier's speaker simulator provides the line signal with a realistic simulation of the natural sound of a speaker. The speaker simulator can be used on the line signal when the LINE OUT jack is connected to a mixer or recorder.

→ For setting instructions, refer to the "Speaker Simulator ON/OFF" section in this manual.

Utility Mode

The Utility Mode is used to perform MIDI settings, set the speaker simulator and volume pedal position settings. To enter the Utility Mode, press and hold the **[MODE]** button for more than one second, the "UTIL." mode display lamp will light. Each of the settings will be stored in memory, even when the power to the amp is turned off. To exit from the Utility Mode, press the **[MODE]** button, the "AMP" (amp mode) display lamp will light.

* *MIDI messages cannot be received when in the Utility Mode so, refer to the "Using MIDI to Recall Memory", "Using MIDI to Control Volume", "Controlling Reverb, Tremolo, Chorus and Tape Echo via MIDI" and "MIDI Bulk In" sections in this manual to perform the corresponding MIDI operations.*

■ Creating a Program Change Table

With this procedure, a specific memory number in the DG amplifier's internal memory can be recalled with a program change number received from an external MIDI device.

* *Factory Preset: Program Change Number = Memory Number.*

1. Press and hold the **[MODE]** button for more than one second. The "UTIL." mode display lamp will light. (Utility Mode)
2. Press the **[LEAD 1]** button.
3. Using the **[↑]** / **[↓]** buttons, select the program change number (1 - 28) that will be sent by the external device. The number will appear on the display.
4. Press the **[LEAD 2]** button.
5. Using the **[↑]** / **[↓]** buttons, select the memory number (1 - 28) to be recalled from the DG amplifier's internal memory. The number will appear on the display.
6. Depending upon your particular needs, repeat steps 2 through 5 as needed.

■ Set the MIDI Receive Channel

Set the DG amplifier's MIDI receive channel.

* *To transmit and receive MIDI data between MIDI devices, the MIDI channel on both devices must be the same or data will not be successfully transferred. (The factory preset is channel 1.)*

1. Press and hold the **[MODE]** button for more than one second. The "UTIL." mode display will light. (Utility Mode)
2. Press the **[DRIVE 1]** button. The currently set MIDI receive channel will appear on the display.
3. Use the **[↑]** / **[↓]** button to select a MIDI receive channel (1 - 15, R 1 1, OF).

* *With the "R 1 1" setting omni is set to on.*

■ Set the MIDI Merge

If you want the MIDI signal received by the DG amplifier's MIDI IN jack to be transmitted on to other MIDI devices via the DG amplifier's MIDI OUT jack, set the MIDI Merge to "ON" (ON). If you don't want the data to be transmitted, set to "OFF" (OFF).

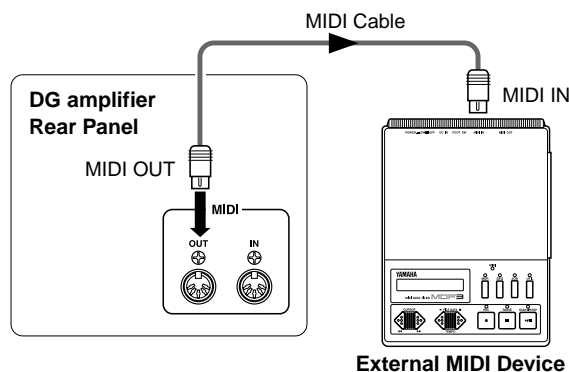
1. Press and hold the **[MODE]** button for more than one second. The "UTIL." mode display will light.
2. Press the **[DRIVE 2]** button. The currently set MIDI merge setting will appear in the display.
3. Use the **[↑]** / **[↓]** button to select either "ON" or "OFF".

■ MIDI Bulk Out

You can back up the data stored in the DG amplifier's internal memory by saving the data to an external MIDI storage device (Yamaha MDF3, etc.).

1. With a MIDI cable, connect the DG amplifier's MIDI OUT jack to the MIDI IN jack on the external MIDI storage device.
2. Press the **[MODE]** button for more than one second. The "UTIL." mode display lamp will light.
3. To transmit all memory (128 memory, plus Utility setting data) with the Bulk Out operation:
→ Press the **[CRUNCH 1]** button. "R 1 1" will appear in the display.
To transmit a single memory:
→ Press the **[CRUNCH 2]** button. Use the **[↑]** / **[↓]** button to select the memory number (1 - 128, R 1 1) that you want to save with the Bulk Out operation.
4. Press the **[STORE]** button to execute the Bulk Out operation. Press the **[MODE]** button to cancel the operation.

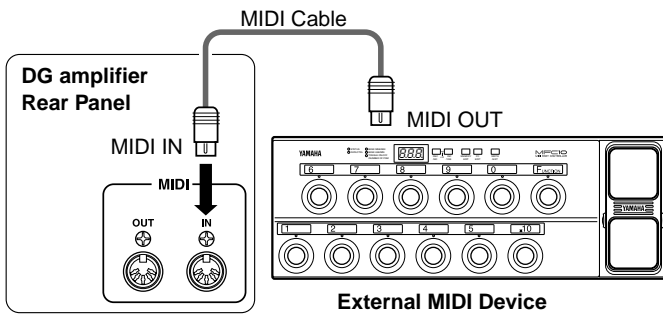
* *The device number is the same as that of the MIDI receive channel. If the MIDI receive channel is set to "R 1 1" (Omni ON) the device number will be 1.*



■ MIDI Bulk In

With a MIDI cable, connect the DG amplifier's MIDI IN jack to the MIDI OUT jack on an external MIDI device. Return your MIDI back up data to the DG amplifier.

- * *The MIDI Bulk In operation is carried out in the AMP or EFFECT modes only. It can not be carried out in the Utility Mode.*
- * *The device number is the same as that of the MIDI receive channel. If the MIDI receive channel is set to "R 1 1" (Omni On), the MIDI channel will be set to 1. The DG amplifier will not receive data if the MIDI channel is set to "OFF" (OFF).*
- * *"L 1" is shown on the display while the MIDI Bulk In operation is being executed.*



■ MIDI Transmission/Reception between DG series amplifiers.

You can use the MIDI bulk out/bulk in functions to copy memory and utility setup data from one DG series guitar amplifier (DG100-212A/DG80-210A/DG80-112A/DG130HA) to another.

* Make sure the receiving DG amplifier is in the AMP mode or EFFECT mode.

■ Speaker Simulator ON/OFF

The DG amplifier's speaker simulator provides the line signal with a realistic simulation of the natural sound of a speaker. The speaker simulator can be used on the line signal when the LINE OUT jack is connected to a mixer or recorder.

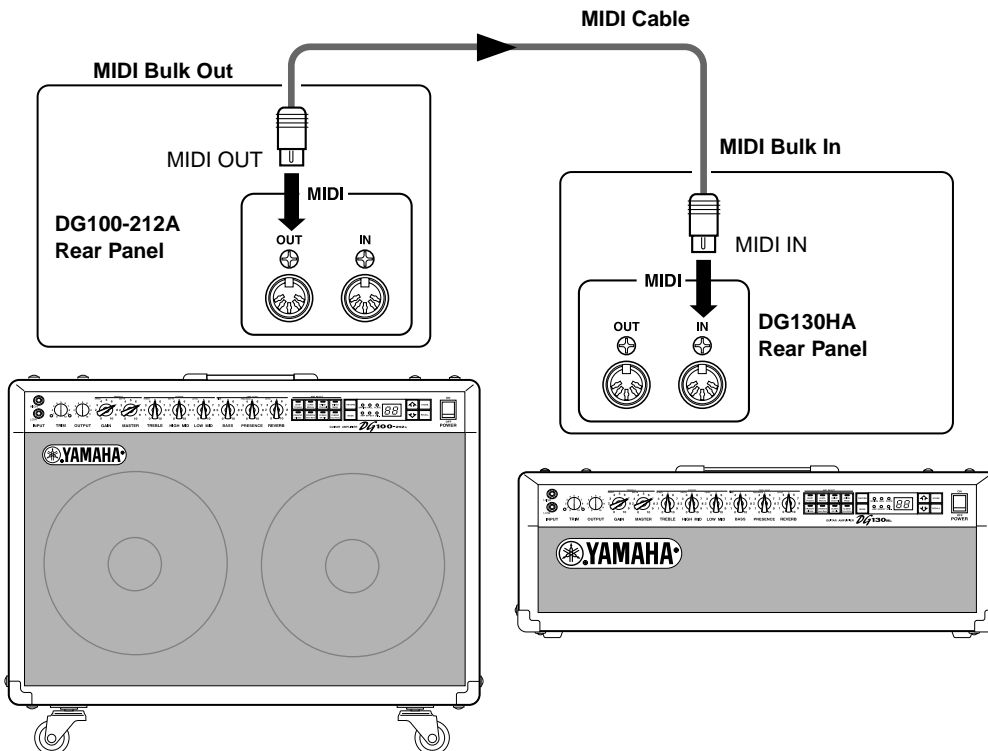
1. Press the **[MODE]** button for more than 1 second. The "UTIL." mode display lamp will light.
2. Press the **[CLEAN1]** button. The current setting will be shown on the display.
3. Use the **[↑]** / **[↓]** buttons to select either "ON" or "OFF" (ON/OFF).

■ Set the Volume Pedal Position

Set the position for where control of the volume, via MIDI, will take place. (Refer to the "Using MIDI to Control Volume" section on page 11 for more information on Volume Pedal Position.)

1. Press the **[MODE]** button for more than 1 second. The "UTIL." mode display lamp will light.
2. Press the **[CLEAN2]** button. The current setting will be shown on the display.
3. Use the **[↑]** / **[↓]** buttons to select the volume control position (b^P , R^P , R_r).

EX.) Copy the memory from a DG100-212A to a DG130HA.



Error Messages

If an error occurs during operation, one of the following error message numbers will appear on the display.

E 1: Motor Drive Error

- CAUSE:** The volume knob has not returned to its assigned position after 20 seconds has elapsed from the start of the recall operation or, the device does not recognize the recall command.
- SOLUTION:** Turn off the power and return the device to the music dealer where you purchased it, or to the nearest Yamaha Service Center for repair.

E 2: MIDI Receive Buffer Full

- CAUSE:** Too much MIDI data is being received by the DG amplifier at one time.
- SOLUTION:** Try reducing the amount of data being sent or, break the data into smaller blocks.

E 3: Communication Error.

- CAUSE:** An abnormality is detected during MIDI communications.
- SOLUTION:** Check all connections, etc. and try again.

E 4: Bulk Receive Check Sum Error.

- CAUSE:** The check sum does not match the received MIDI bulk data.
- SOLUTION:** Check all connections and data, and try again.

E 5: Bulk Receive Data Abnormality.

- CAUSE:** An abnormality is detected in the received MIDI bulk data.
- SOLUTION:** Check all connections and data, and try again.

E 6: Backup Battery Error.

- CAUSE:** Backup battery power is depleted.
- SOLUTION:** Continued use of the device will result in the loss of data. Return the device to the music dealer where you purchased it or, the nearest Yamaha Service center and have the battery replaced.

Specifications

Digital Section

Complete Digital Signal Processing
 Internal 8 Channel Preset
 Digital Reverb (SPRING/HALL/PLATE)
 Digital Effects (Tremolo, Chorus, Tape Echo)
 Speaker Simulator (LINE OUT)



Analog Section

DG100-212A : 100 W (4 Ω) Solid State Power Amp
 30 cm Speaker (Celestion Vintage 30) x 2
DG80-210A : 80 W (8 Ω) Solid State Power Amp
 25 cm Speaker (V10-60) x 2
DG80-112A : 80 W (8 Ω) Solid State Power Amp
 30 cm Speaker (Celestion G12H100) x 1
DG130HA : 130 W (4 Ω) Solid State Power Amp

MIDI Function

Receive : Program change, Control Change (No. 7, 91, 92, 93, 94), Bulk In
Transmit : Bulk Out, Merge Out

Controller/Switch

Front Panel : TRIM, OUTPUT, GAIN (TREMOLO SPEED), MASTER (TREMOLO DEPTH), TREBLE (CHORUS SPEED), HIGH MID (CHORUS DEPTH), LOW MID (CHORUS LEVEL), BASS (TAPE ECHO TIME), PRESENCE (TAPE ECHO FEED BACK), REVERB (TAPE ECHO LEVEL)
Rear Panel : LINE OUT volume, EFFECT BLEND
Switch : AMP SELECT (LEAD1, LEAD2, DRIVE1, DRIVE2, CRUNCH1, CRUNCH2, CLEAN1, CLEAN2), REVERB, MODE, , , STORE, RECALL

Display

AMP SELECT display LED x 8
 MODE display LED x 3
 REVERB type display x 3
 7 segment LED x 2 digits

Indicator

Trim Level Display LED (Green)
 Trim Clip Display LED (Red)

Connection Jacks

INPUT HIGH/LOW: Standard Phone Mono Jack
 SPEAKER (DG100-212A: x 1, DG80-210A: x 2, DG80-112A: x 2, DG130HA: x 2): Standard Phone Mono Jack
 EFFECT SEND/RETURN: Standard Phone Mono Jack
 LINE OUT: Cannon Jack
 MIDI IN, MIDI OUT: 5 pin DIN

A/D Converter 20 bit

D/A Converter 20 bit

Sampling Frequency 48 kHz

Memory Number 128

Input Level/Impedance

INPUT HIGH: -30 dBm (THRU) / 1 MΩ
 INPUT LOW: -20 dBm (THRU) / 1 MΩ
 EFFECT RETURN: 0 dBm / 120 kΩ

Output Level/Impedance

DG100-212A

SPEAKER: 100 W RMS / 4 Ω
 LINE OUT: +4 dBm / 600 Ω
 EFFECT SEND: 0 dBm / 2.2 kΩ

DG80-210A/DG80-112A

SPEAKER: 80 W RMS / 8 Ω, 100 W RMS / 4 Ω
 LINE OUT: +4 dBm / 600 Ω
 EFFECT SEND: 0 dBm / 2.2 kΩ

DG130HA

SPEAKER: 130 W RMS / 4Ω
 LINE OUT: +4 dBm / 600 Ω
 EFFECT SEND: 0 dBm / 2.2 kΩ

Power Requirements

U.S. and Canadian models : 120 V, 60 Hz
 General model : 230 V, 50 Hz

Power Consumption

DG100-212A : 100 W
DG80-210A : 100 W
DG80-112A : 100 W
DG130HA : 140 W

Dimensions (W x H x D)

DG100-212A : 712 x 574 x 284 mm (28" x 22.6" x 11.2") w/Caster
DG80-210A : 595 x 471 x 284 mm (23.4" x 18.5" x 11.2")
DG80-112A : 542 x 510 x 284 mm (21.3" x 20.1" x 11.2")
DG130HA : 711 x 250 x 284 mm (28" x 9.8" x 11.2")

Weight

DG100-212A : 33.5 kg (73 lbs 13 oz)
DG80-210A : 26.0 kg (57 lbs 5 oz)
DG80-112A : 25.0 kg (55 lbs 2 oz)
DG130HA : 18.0 kg (39 lbs 11 oz)

* Specifications and design may change without notice.

Using the S412V/S112

S412V

The S412V is a speaker enclosure equipped with four Celestion "Vintage 30" speakers.

- * The power rating is 240 W. Use an amp head with a power output of less than 240 W.
- * The impedance is 8Ω. Check the amp head's impedance and make sure it meets the speaker's requirements.
- * If you use more than two speakers, make sure the total impedance meets the amp head's requirements. See "Connecting Speakers" section on page 8.

■ Specifications

Speakers	30 cm speaker (Celestion "Vintage 30") x 4
Power Rating	240 W
Impedance	8 Ω
Dimensions (WxHxD)	765 x 820 x 359 mm (30.1" x 32.2" x 14.1") (w/casters)
Weight	44.0 kg (97 lbs) (w/casters)
Accessory	Speaker Cable

● Speaker

Speaker Size	30 cm (12")
Voice Coil Size	44ø mm
Magnet	Ferrite 1.42 kg (50 oz)
Frequency Range	70 Hz – 5 kHz
Sensitivity	100 dB (1 m/W)
Power Rating	60 W (RMS)
Nominal Impedance	8 Ω
Fundamental Frequency	70 Hz

* Specifications and external appearance are subject to change without notice.

S112

The S112 is a speaker enclosure equipped with a Celestion "G12H-100" speaker.

- * The power rating is 100 W. Use an amp head with a power output of less than 100 W.
- * The impedance is 8Ω. Check the amp head's impedance and make sure it meets the speaker's requirements.
- * If you use more than two speakers, make sure the total impedance meets the amp head's requirements. See "Connecting Speakers" section on page 8.

■ Specifications

Speaker	30 cm speaker (Celestion "G12H-100") x 1
Power Rating	100 W
Impedance	8 Ω
Dimensions (WxHxD)	542 x 510 x 284 mm (21.3" x 20" x 11.2")
Weight	16.0 kg (35 lbs 4.4 oz)
Accessory	Speaker Cable

● Speaker

Speaker Size	30 cm (12")
Voice Coil Size	44ø mm
Magnet	Ferrite 1.42 kg (50 oz)
Frequency Range	82 Hz – 5.5 kHz
Sensitivity	100 dB (1 m/W)
Power Rating	100 W (RMS)
Nominal Impedance	8 Ω
Fundamental Frequency	82 Hz

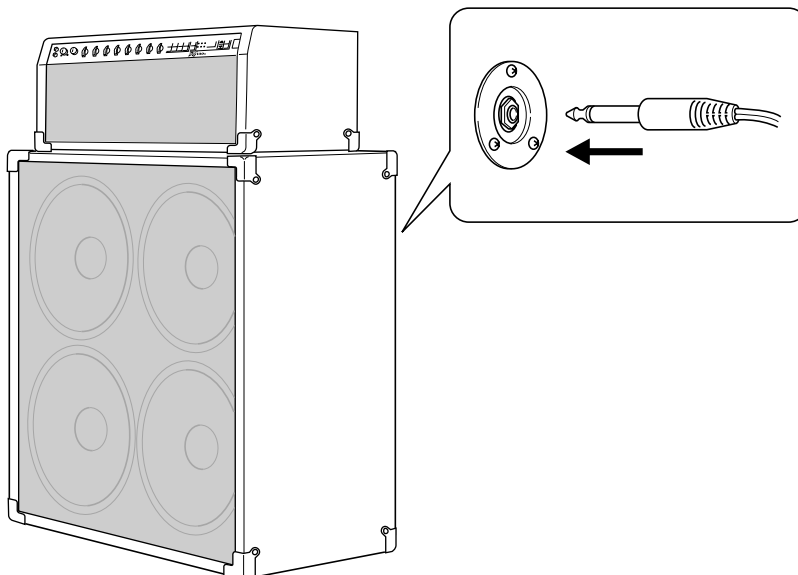
* Specifications and external appearance are subject to change without notice.

■ Connecting

1. Turn the amp's power OFF and set the volume to "0".

* Connecting the speaker with the power ON or the volume turned up may result in damage to the speaker or amp.

2. Using the supplied speaker cord, connect the phone jack located on the back of the S412V/S112 cabinet to the amp head's speaker output jack (the SPEAKER jack on the DG Series Amplifier).



AMPLIFICATEUR DE GUITARE

DG100-212A

DG80-210A

DG80-112A

TÊTE D'AMPLIFICATEUR DE GUITARE

DG130HA

ENCEINTE ACOUSTIQUE

S412V

S112

Mode d'emploi

Nous vous remercions d'avoir fait l'acquisition d'un amplificateur de guitare de la série DG Yamaha. Les amplificateurs de guitare numériques de la série DG ont été conçus initialement et entièrement réalisés par Yamaha. Ces amplificateurs de guitare numériques délivrent des sons tout aussi puissants que ceux des amplificateurs à lampes tout en offrant une stabilité de fonctionnement supérieure comparée à celle des amplificateurs à lampes. Avec un choix de huit différents réglages d'amplification, les amplificateurs de guitare numériques de la série DG vous permettent de créer une grande variété de sons originaux. Au total, 128 paramètres de réglage sonores peuvent être sauvegardés dans sa mémoire interne et rappelés à volonté avec les boutons de pupitre de commande ou à partir d'un contrôleur à pédale MIDI. Il faut noter par ailleurs, que les amplificateurs de guitare numériques de la série DG sont dotés de quatre sortes d'effets numériques intégrés (réverbération, trémolo, chœur et écho de bande) qui peuvent être utilisées pour rajouter une coloration acoustique à vos compositions musicales tandis qu'un simulateur de haut-parleur rajoute une simulation de son de haut-parleur extrêmement réaliste aux signaux de sortie de ligne. Son très haut niveau de qualité associé à une extraordinaire facilité d'utilisation de ses commandes vous permettront de créer une grande variété de couleurs tonales.

L'enceinte acoustique S412V dotée de quatre haut-parleurs Celestion "Vintage 30" de 30 cm de diamètre est capable de délivrer une puissance de sortie nominale de 240 watts.

L'enceinte acoustique S112 dotée d'un haut-parleur Celestion "G12H-100" de 30 cm de diamètre est capable de délivrer une puissance de sortie nominale de 100 watts.

Pour avoir la certitude d'obtenir les meilleurs résultats possibles et assurer à votre amplificateur de guitare numérique de la série DG une longévité optimale, nous vous recommandons de lire attentivement ce mode d'emploi et par ailleurs, de le conserver dans un endroit sûr à des fins de consultation ultérieure.

DG100-212A/DG80-210A/DG80-112A/DG130HA

Précautions d'usage	18
Commandes en façade	19
■ Façade	19
■ Face arrière	20
Branchement des haut-parleurs	21
■ Cas du DG100-212A	21
■ Cas du DG80-210A/DG80-112A	21
■ Cas du DG130HA	21
Comment utiliser votre amplificateur de série DG ..	22
■ Commandez tout d'abord la sortie son	22
■ Réglez le niveau TRIM	22
■ Paramètres de réglage de son	22
■ Réglages de réverbération	22
■ Réglages des effets (trémolo, chœur, écho de bande)	22
Rappel et sauvegarde des données	23
■ Rappel de mémoire	23
■ Sauvegarde des paramètres de réglage	23
Fonctions faciles à utiliser	24
■ Utilisation de MIDI pour rappeler les données d'une mémoire	24
■ Utilisation de MIDI pour contrôler le volume	24

■ Contrôle des effets de réverbération, trémolo, chœur et écho de bande par l'intermédiaire de MIDI	24
■ Simulateur de haut-parleur	24
Mode utilitaire	25
■ Création d'un tableau de changement de programme ..	25
■ Introduction du canal de réception MIDI	25
■ Réglage de la fusion MIDI	25
■ Sortie de grande capacité MIDI	25
■ Entrée de grande capacité MIDI	25
■ Transmission ou réception de données MIDI entre des amplificateurs de série DG.	26
■ Activation ou désactivation du simulateur de haut-parleur	26
■ Introduction de la position de contrôle par pédale du volume ..	26
Messages d'erreur	27
Fiche technique	28
Table d'implémentation	82
Liste de patch	83

S412V/S112

Utilisation de l'enceinte acoustique S412V/S112	29
---	-----------

Précautions d'usage

- Pour éviter tout risque d'endommagement de votre amplificateur et votre enceinte acoustique, évitez de vous en servir dans les endroits mentionnés ci-dessous :
 - En plein soleil ou près d'un appareil de chauffage.
 - Dans les lieux à température extrême, basse comme élevée.
 - Dans les lieux à très forte humidité ou excessivement poussiéreux.
 - Dans les lieux soumis à des chocs violents ou de fortes vibrations.
- N'oubliez pas de couper au préalable l'alimentation de l'amplificateur et des appareils extérieurs avant de faire des branchements.
- Par mesure de précaution et de façon à ne pas endommager les haut-parleurs, positionnez toujours le potentiomètre de réglage de niveau de sortie OUTPUT sur "0" avant de mettre l'appareil sous tension ou de l'arrêter.
- N'oubliez pas de couper l'alimentation de l'amplificateur au préalable avant de raccorder un haut-parleur.
- Ne forcez jamais sur les commutateurs et les commandes de réglage.
- Votre amplificateur de guitare Yamaha est un instrument musical de haute précision. Vous devez le manipuler délicatement et surtout éviter de le buter voire de le laisser tomber par terre.
- Notez que la température des appareils croît au fur et à mesure de leur utilisation. Par conséquent, vous devez vous assurer que l'amplificateur est utilisé dans un endroit bien aéré. Le DG130HA doit être disposé de telle sorte qu'un espace d'au moins 30 cm soit aménagé entre le mur et l'appareil, autant sur les côtés, au-dessus que derrière l'amplificateur.
- Par mesure de sécurité, premez toujours la précaution de débrancher la prise d'alimentation secteur de la prise murale utilisée pour l'alimentation si la foudre risque de tomber dans la région où vous utilisez votre instrument.
- Éloignez l'amplificateur des enseignes lumineuses au néon ou des dispositifs d'éclairage à lampes fluorescentes afin de ne pas recueillir de parasites.

- Pour éviter tout risque d'endommagement voire d'électrocution, n'ouvrez jamais le coffret ni ne modifiez les circuits internes.
- N'utilisez jamais de benzène, diluant chimique ou autres produits volatils pour effectuer l'entretien de l'appareil car ceci aurait pour effet de l'endommager voire de provoquer une décoloration de la finition extérieure. L'accumulation de poussière et les taches doivent être retirées de l'appareil avec un morceau d'étoffe sec et souple.

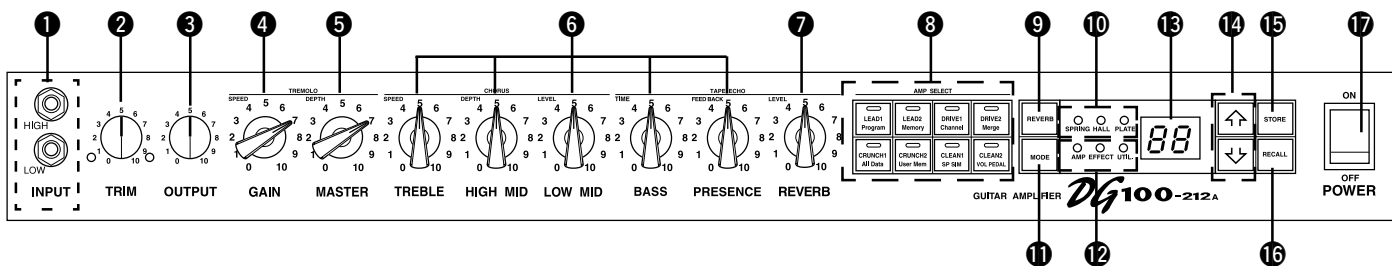
À propos de la pile d'alimentation auxiliaire de la mémoire (Amplificateurs de guitare numériques de la série DG)

Une pile d'alimentation auxiliaire de mémoire (pile au lithium) est utilisée pour empêcher que les données internes (les paramètres de réglage) ne soient perdues même lorsque le cordon d'alimentation est débranché. Cependant, ces données internes risquent d'être définitivement perdues si la pile venait à s'épuiser, nous vous recommandons de sauvegarder vos données sur un support d'enregistrement externe tel que le MIDI Data Filer MDF3 (→ page 25) ou de conserver vos données sous la forme d'un registre personnel de notes. L'autonomie moyenne de la pile est égale à environ 3 ans. Dès qu'il est nécessaire de la remplacer, prenez contact avec le magasin d'instruments de musique où vous avez fait l'achat de l'instrument ou prenez conseil auprès d'un technicien qualifié pour effectuer ce type de remplacement.

- *N'essayez pas de remplacer la pile d'alimentation auxiliaire de mémoire par vous-même.*
- *Ne laissez pas la pile d'alimentation auxiliaire de mémoire à la portée des enfants.*
- *Lorsque la pile est épuisée, le message "E6" apparaît dans l'écran d'affichage. Il y a alors risque de perte définitive des données.*
- *Les données peuvent être perdues à la suite d'une mauvaise manipulation de cet appareil ou si des réparations inappropriées sont effectuées.*

Commandes en façade

■ Façade



* L'illustration ci-dessous représente le modèle DG100-212A.

1 Mini-prise d'entrée (INPUT HIGH, LOW)

Raccordez la guitare à cette mini-prise. Les guitares à hauts niveaux de sortie doivent être raccordées à la mini-prise LOW. Les guitares à niveaux de sortie réduits doivent être raccordées à la mini-prise HIGH.

* Placer l'interrupteur d'alimentation en position OFF avant de brancher la guitare.

2 Commande d'ajustement (TRIM)

Assure la correspondance de niveau de sortie de la guitare avec le niveau d'entrée du préamplificateur. (→ page 22.)

* Les réglages effectués avec le potentiomètre de niveau TRIM ne sont pas sauvegardés dans la mémoire.

3 Potentiomètre de réglage de niveau de sortie (OUTPUT)

Il sert à ajuster le niveau de sortie de l'amplificateur de puissance. Déterminez le niveau de sortie son produit par les potentiomètres de réglage GAIN, MASTER et de tonalité, etc., du préamplificateur. Le réglage de niveau de sortie est ajusté sans modifier la qualité acoustique de l'amplificateur.

* Les réglages de niveau de sortie ne sont pas sauvegardés en mémoire.

* Ce potentiomètre de réglage n'a aucun effet sur le niveau de la prise LINE OUT 24.

4 Potentiomètre de réglage de volume de gain (GAIN)

Ajuste la valeur de distorsion.

* Aucun son n'est délivré si le potentiomètre de réglage de GAIN est placé sur 0 même si le réglage du potentiomètre de réglage MASTER VOLUME 5 est augmenté.

Lorsque le mode d'effet (Effect) est appliqué, le potentiomètre GAIN peut être utilisé pour faire un réglage de vitesse (SPEED) du trémolo. (→ page 22.)

5 Potentiomètre de réglage de volume général (MASTER)

Sert à ajuster le volume général du réglage de GAIN et des potentiomètres de réglage de tonalité. Il ajuste également le niveau de sortie du préamplificateur.

* Les réglages de volume général sont sauvegardés en mémoire.

Lorsque le mode d'effet (Effect) est appliqué, le potentiomètre MASTER peut être utilisé pour faire un réglage de profondeur (DEPTH) du trémolo. (→ page 22.)

6 Potentiomètres de réglage de tonalité (TREBLE, HIGH MID, LOW MID, BASS, PRESENCE)

Servent à ajuster les niveaux de leurs fréquences respectives.

Lorsque le mode d'effet (Effect) est appliqué, il est possible de faire les réglages suivants ; (→ page 22.)

- TREBLE, HIGH MID, LOW MID → Vitesse (SPEED), profondeur (DEPTH), niveau (LEVEL) de choeur
- BASS, PRESENCE → Durée (TIME), réapplication (FEED BACK) d'écho de bande

7 Potentiomètre de réglage de volume de réverbération (REVERB)

Sert à ajuster le pourcentage de réverbération. (→ page 22.)

Lorsque le mode d'effet (Effect) est appliqué, le potentiomètre de réglage REVERB permet d'effectuer le réglage LEVEL de la fonction d'écho de bande. (→ page 22.)

8 Boutons de sélection d'amplificateur / affichage de sélection d'amplificateur (LEAD 1, 2/DRIVE 1, 2/CRUNCH 1, 2/CLEAN 1, 2)

Servent à la sélection d'un des huit types d'amplificateurs pré-réglés. L'afficheur fait apparaître le type d'amplificateur qui est actuellement sélectionné. (→ page 22.)

Lorsque le mode utilitaire est appliqué, ces boutons de sélection servent de commutateurs de commande des fonctions MIDI et de mise en service ou hors service du simulateur de haut-parleur, etc. (→ page 25.)

* Si vous appuyez sur le bouton de sélection d'amplificateur, les potentiomètres de réglage 4 à 6 sont ramenés sur leur position pré-réglée d'origine (GAIN et

MASTER = 7, tous les potentiomètres de réglage de tonalité = 5). Le réglage du potentiomètre de réglage REVERB ne change pas.

9 Bouton de sélection de type de réverbération (REVERB)

10 Lampe-témoin d'affichage de type de réverbération (SPRING, HALL, PLATE)

Enfoncez le bouton REVERB pour choisir le type de réverbération que vous désirez obtenir. La lampe-témoin qui correspond au type de réverbération qui a été choisi s'allume. (→ page 22.)

11 Bouton de sélection de mode (MODE)

12 Lampe-témoin d'affichage de mode (AMP/EFFECT/UTIL.)

Indique le mode qui est actuellement sélectionné.

• AMP (mode d'amplificateur)

Il s'agit du mode de reproduction normal. Tous les potentiomètres de réglage et les boutons remplissent la fonction qui est indiquée sur la façade. (Les potentiomètres de réglage et les boutons à double fonction réagiront en fonction de leurs indications inférieures.)

Ce mode est automatiquement appliqué dès que des données en mémoire sont rappelées.

• EFFECT (mode d'effet) → page 22

Le mode de réglage d'effet (trémolo, cœur et écho de bande).

À partir du mode d'amplificateur, enfoncez une seule fois le bouton MODE et relâchez-le rapidement de manière à passer mode d'effet.

• UTIL. (mode utilitaire) → page 25

Ce mode est utilisé pour effectuer les réglages des fonctions MIDI, pour la mise en service ou hors service du simulateur de haut-parleur et pour le réglage de position de pédale de volume. Lorsque vous êtes en mode amplificateur ou en mode d'effet, enfoncez le bouton MODE et immobilisez-le en position basse pendant au moins une seconde de manière à pouvoir passer en mode utilitaire.

13 Afficheur

Affiche les numéros de mémoire, les numéros de changement de programme, le canal MIDI utilisé, etc.



14 Boutons

Commandent la progression ou la régression d'une unité à la fois du numéro de mémoire. Commandent également la progression ou la régression des valeurs d'une unité à la fois. En mode utilitaire, elles commandent la progression ou la régression des valeurs d'une unité à la fois ou appliquent la mise en service ou la mise hors service des fonctions. Le changement des valeurs changeant en continu lorsque le bouton commandé est maintenu enfoncé.

15 Bouton de sauvegarde (STORE)

Enfoncez ce bouton pour sauvegarder les réglages de sons actuels dans la mémoire interne. (→ page 23.) Par ailleurs, ce bouton est également utilisé pour effectuer les opérations de sortie de grande capacité MIDI. (→ page 25.)

16 Bouton de rappel (RECALL)

Rappelle les réglages conervés en mémoire. Utilisez les boutons   pour choisir un numéro de mémoire (01 – 128) et appuyez sur le bouton RECALL de manière à rappeler ces réglages de la mémoire. (→ page 23.)

17 G Interrupteur d'alimentation (POWER)

Interrupteur d'alimentation de l'amplificateur.

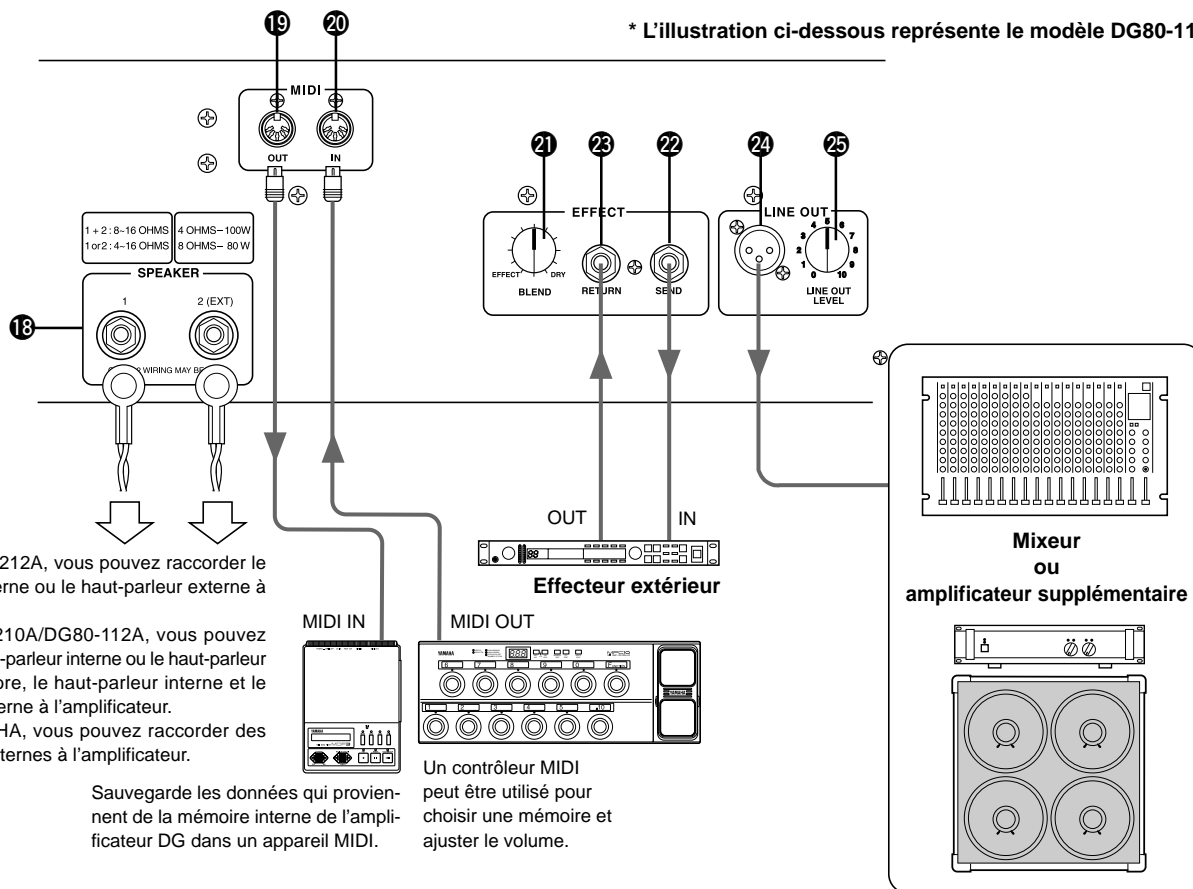
* Par mesure de précaution et de façon à ne pas endommager les haut-parleurs, positionnez toujours le potentiomètre de réglage de niveau de sortie OUTPUT 3 sur "0" avant de mettre l'appareil sous tension ou de l'arrêter.

Commandes de la façade

■ Face arrière

Avant d'effectuer le moindre branchement, vérifiez que l'alimentation de l'amplificateur DG et de tous les appareils extérieurs a bien été coupée au préalable.

* L'illustration ci-dessous représente le modèle DG80-112A.



Avec le DG100-212A, vous pouvez raccorder le haut-parleur interne ou le haut-parleur externe à l'amplificateur.

Avec le DG80-210A/DG80-112A, vous pouvez raccorder le haut-parleur interne ou le haut-parleur externe ou encore, le haut-parleur interne et le haut-parleur externe à l'amplificateur.

Avec le DG130HA, vous pouvez raccorder des haut-parleurs externes à l'amplificateur.

Sauvegarde les données qui proviennent de la mémoire interne de l'amplificateur DG dans un appareil MIDI.

Un contrôleur MIDI peut être utilisé pour choisir une mémoire et ajuster le volume.

18 Mini-prise de haut-parleur (SPEAKER)

DG100-212A: Le haut-parleur interne est raccordé à l'amplificateur.

DG80-210A/DG80-112A: Équipé de deux mini-prises de raccordement de haut-parleur. Le haut-parleur interne est raccordé à la mini-prise SPEAKER 1.

DG130HA: Équipé de deux mini-prises de raccordement de haut-parleur.

Référez-vous à la section intitulée "Raccordement des haut-parleurs" de la page 21 en ce qui concerne les instructions de raccordement des haut-parleurs à l'amplificateur.

19 Mini-prise de sortie MIDI OUT

La raccorder à la mini-prise MIDI d'un appareil capable de sauvegarder des données MIDI. Les données conservées dans la mémoire interne de l'amplificateur DG peuvent ensuite être transmises à un appareil MIDI externe à des fins de stockage. (→ page 25 : sortie de grande capacité MIDI) Transmet également les données MIDI qui sont reçues par la mini-prise MIDI IN 20 à destination d'un appareil externe lorsque la fusion MIDI est réglée en mode actif. (→ page 25.)

20 Mini-prise d'entrée MIDI IN

Raccordez cette mini-prise à la mini-prise MIDI OUT d'un contrôleur à pédale MIDI pour qu'un contrôleur à pédale externe puisse être utilisé pour commander l'amplificateur DG. La sélection de mémoire, le réglage de niveau de sortie, les effets peuvent également être commandés à partir d'un contrôleur à pédale externe. (→ page 24.)

Par ailleurs, les données conservés dans la mémoire d'un appareil de stockage externe peuvent être rechargées dans la mémoire interne de l'amplificateur DG. (→ page 25 : chargement de grande capacité MIDI)

21 Commande de mélangeur d'effet (EFFECT BLEND)

22 Mini-prise de transmission d'effet (EFFECT SEND)

23 Mini-prise de retour d'effet (EFFECT RETURN)

Il est possible d'insérer un effecteur externe dans le circuit de signal entre les mini-prises SEND/RETURN. Ceci permet de pouvoir traiter le signal de tonalité créé par l'appareil principal à l'aide de l'effecteur externe. Utilisez le potentiomètre de réglage BLEND pour équilibrer le niveau du son de l'effecteur externe (EFFECT) et du son créé par l'amplificateur DG (DRY). Une rotation maximum du potentiomètre de réglage vers la position EFFECT permet d'entendre uniquement le son produit par l'effecteur externe. Une rotation maximum du potentiomètre de réglage vers la position DRY permet d'entendre uniquement le son produit par l'amplificateur sans que la coloration produite par l'effecteur externe y soit ajoutée.

* Quand une fiche est introduite dans la mini-prise RETURN, une interruption du circuit interne est autorisée. Le signal qui revient de l'effecteur externe est injecté dans le circuit interne à ce niveau pour ensuite être dirigé sur l'amplificateur de puissance puis le haut-parleur. Le potentiomètre de réglage BLEND n'a aucun effet lorsque la mini-prise RETURN n'est pas utilisée.

Par ailleurs, la mini-prise SEND peut également servir de mini-prise de sortie préamplificateur et la mini-prise RETURN de mini-prise d'entrée amplificateur.

24 Mini-prise de sortie de ligne (LINE OUT)

25 Potentiomètre de réglage de niveau de sortie de ligne (LINE OUT LEVEL)

Le même signal que celui qui est transmis à la mini-prise de sortie haut-parleur 18 est également transmis à la mini-prise LINE OUT au niveau ligne (+4 dBm / 600 ohms). L'amplificateur possède aussi un simulateur de haut-parleur interne (qui peut être activé ou désactivé → page 26.) tandis que le niveau de sortie peut être ajusté avec le potentiomètre de réglage LINE OUT LEVEL. Le signal de ligne peut être transmis à un mélangeur et peut être utilisé comme mini-prise de sortie à destination d'un amplificateur externe.

Branchement des haut-parleurs

Avant de brancher des haut-parleurs à la (aux) mini-prise(s), vérifiez la puissance admissible et l'impédance des haut-parleurs de manière à vous assurez qu'elles remplissent les conditions ou se situent dans les limites recommandées par l'équipement.

■ Cas du DG100-212A

Le haut-parleur interne de l'amplificateur (4 Ω) se raccorde à la mini-prise de haut-parleur. Si toutefois ceci est nécessaire, vous pouvez débrancher le haut-parleur interne et brancher un haut-parleur externe à la mini-prise de haut-parleur.

Lorsque vous utilisez un haut-parleur externe, assurez-vous que le(s) haut-parleur(s) remplissent les conditions suivantes.

- Puissance admissible d'au moins 100 watts, impédance de 4 à 8 Ω .

■ Cas du DG80-210A/DG80-112A

Le haut-parleur interne de l'amplificateur (8 Ω) se raccorde à la mini-prise SPEAKER 1. La mini-prise SPEAKER 2 (EXT) peut être utilisée pour rajouter un (des) haut-parleur(s) externe(s) au système. Par ailleurs et si toutefois ceci est nécessaire, vous pouvez débrancher le haut-parleur interne de manière à brancher directement des haut-parleurs externes à l'amplificateur. Les deux mini-prises de haut-parleur sont reliées en parallèle. Lorsque vous utilisez des haut-parleurs externes, assurez-vous que les haut-parleurs remplissent les conditions suivantes.

● Quand une mini-prise de haut-parleur est utilisée.

- Puissance admissible d'au moins 100 watts, impédance de 4 à 16 Ω.
- L'impédance totale des haut-parleurs d'un circuit ne doit pas être inférieure à 4 Ω.

● Quand les deux mini-prises de haut-parleur sont utilisées.

- Les haut-parleurs raccordés à chaque mini-prise doivent avoir une puissance admissible d'au moins 100 watts et une impédance comprise entre 8 et 16 Ω.
- L'impédance totale des haut-parleurs d'un circuit ne doit pas être inférieure à 4 Ω.

■ Cas du DG130HA

L'amplificateur est équipé de deux mini-prises de haut-parleur. Les deux mini-prises de haut-parleur sont reliées en parallèle. Assurez-vous que les haut-parleurs remplissent les conditions suivantes.

● Quand une mini-prise de haut-parleur est utilisée.

- Puissance admissible d'au moins 130 watts, impédance de 4 à 16 Ω.
- L'impédance totale des haut-parleurs d'un circuit ne doit pas être inférieure à 4 Ω.

● Quand les deux mini-prises de haut-parleur sont utilisées.

- Les haut-parleurs raccordés à chaque mini-prise doivent avoir une puissance admissible d'au moins 100 watts et une impédance comprise entre 8 et 16 Ω.
- L'impédance totale des haut-parleurs d'un circuit ne doit pas être inférieure à 4 Ω.

Impédance totale

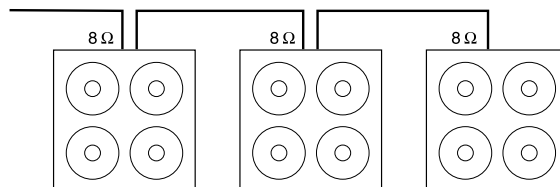
Si toutefois deux ou plus de deux haut-parleurs sont raccordés, vous devez prendre en considération l'impédance totale des haut-parleurs.

Les haut-parleurs ont habituellement une impédance de 4, 8 ou 16 Ω . Lorsque deux ou plus de deux haut-parleurs sont utilisés en même temps, l'impédance totale des haut-parleurs variera suivant la façon dont les haut-parleurs sont raccordés.

● Branchement en série

L'impédance totale est égale à l'impédance du 1er haut-parleur + 2ème haut-parleur + 3ème haut-parleur + ...

Comme le montre l'illustration ci-dessous, si trois haut-parleurs sont branchés en série, l'impédance totale est égale à 24 Ω.

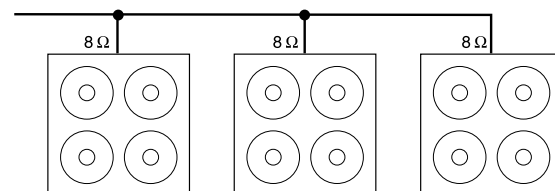


● Branchement en parallèle

$$\text{L'impédance totale} = \frac{1}{\frac{1}{8} + \frac{1}{8} + \frac{1}{8} + \dots}$$

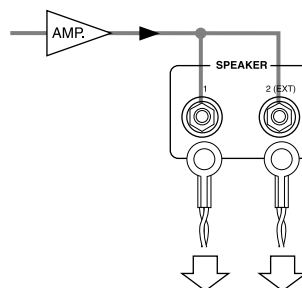
1er haut-parleur 1ème haut-parleur 1ème haut-parleur

Comme le montre l'illustration ci-dessous, lorsque les haut-parleurs sont branchés en parallèle, l'impédance totale est à peu près égale à 2,7 Ω.



Cas du DG80-210A/DG80-112A

Étant donné que les mini-prises de haut-parleur sont raccordées en circuit parallèle interne, le fait d'ajouter un haut-parleur externe de 4 Ω au haut-parleur interne de 8 Ω a pour effet d'obtenir une impédance totale de 2 Ω. Afin de maintenir une impédance minimum de 4 Ω , un haut-parleur d'au moins 8 Ω doit être utilisé en qualité de haut-parleur externe.



Haut-parleur interne: 8 Ω Haut-parleur externe: Plus de 8 Ω

Comment utiliser votre amplificateur de série DG

Par mesure de précaution et de façon à ne pas endommager les haut-parleurs, positionnez toujours le potentiomètre de réglage de niveau de sortie OUTPUT sur "0" avant de mettre l'appareil sous tension ou de l'arrêter.

■ Commandez tout d'abord la sortie son

1. Alors que l'interrupteur d'alimentation de l'amplificateur DG est en position d'arrêt, branchez votre guitare dans la mini-prise INPUT visible en façade. Pour commencer, essayez d'utiliser la mini-prise LOW.
2. Alors que le potentiomètre de réglage OUTPUT est placé en position "0", mettez maintenant sous tension.
3. Réglez tout d'abord le niveau TRIM sur "5" et grattez les cordes de la guitare. Ensuite, augmentez progressivement le niveau OUTPUT.
4. Dès que vous obtenez un niveau de sortie son normal, réglez le niveau TRIM en procédant de la façon indiquée dans les descriptions qui suivent.

■ Réglez le niveau TRIM

Le niveau TRIM vous permet de régler le niveau de sortie de la guitare afin d'obtenir un niveau optimum et adapté à la mini-prise INPUT de l'amplificateur DG. Lorsque le réglage du niveau TRIM est réalisé correctement, les nuances de pincement les plus subtiles et les fortes attaques des cordes peuvent être très nettement reproduites. Un niveau TRIM n'étant pas réglé correctement peut se traduire en son parasité, en effet Larsen et/ou tout simplement par aucun son.

- * Le niveau de sortie varie d'une guitare à l'autre. Si vous utilisez une guitare différente, vous aurez à réajuster le niveau TRIM pour l'adapter à cette guitare.
- * Les niveaux d'entrée HIGH et LOW sont différents. Même si vous utilisez la même guitare, assurez-vous que le niveau TRIM a été réajusté si une mini-prise différente est utilisée.
- * Même pour créer une distorsion, assurez-vous que le niveau TRIM est ajusté correctement et utilisez le potentiomètre de réglage GAIN pour créer la distorsion.

1. Réglez le volume de la guitare sur sa puissance maximum et grattez fortement les cordes de la guitare. Commencez à ajuster le niveau TRIM. Le niveau optimum est atteint lorsque la diode électroluminescente verte s'allume.
2. Continuez à tourner le potentiomètre de réglage TRIM vers la droite aussi longtemps que la diode électroluminescente rouge ne s'allume pas. Réglez le niveau TRIM sur "10" si la diode électroluminescente rouge ne s'allume pas.
 - * Si la diode électroluminescente rouge ne s'allume toujours pas, réduisez le niveau TRIM, raccordez la guitare à la mini-prise d'entrée HIGH et refaites les réglages qui sont mentionnés ci-dessus.

■ Paramètres de réglage de son

Choisissez l'un des huit types d'amplificateur pré-réglés de l'amplificateur DG et utilisez les potentiomètres de réglage GAIN et MASTER ainsi que les potentiomètres de réglage de tonalité pour modeler le son de la guitare.

1. Choisissez un type d'amplificateur avec l'un des boutons AMP SELECT. La diode électroluminescente du bouton de type d'amplificateur sélectionné s'allume.
2. Utilisez les potentiomètres de réglage GAIN, MASTER ainsi que les cinq potentiomètres de réglage de tonalité pour modeler le son de la guitare.

CONSEIL Bouton OUTPUT et bouton MASTER

Toute manipulation de l'un ou de l'autre bouton permet de faire varier le volume. Le bouton MASTER agit sur le volume général du préamplificateur. Ce réglage est conservé en mémoire. Le bouton OUTPUT agit sur le volume de l'amplificateur de puissance. Ce réglage n'est pas conservé en mémoire. Les réglages de volume pour chacun des réglages individuels de mémoire doivent être exécutés avec le bouton MASTER. Le niveau de sortie des haut-parleurs doit être ajusté avec le bouton OUTPUT.

- * Si vous appuyez sur l'un des boutons AMP SELECT, tous les potentiomètres de réglage (sauf TRIM, OUTPUT et REVERB) sont ramenés sur leur position pré-réglée d'origine. (GAIN et MASTER = 7, tous les potentiomètres de réglage de tonalité = 5. Pour sauvegarder les réglages qui ont été modifiés, veuillez vous reporter à la description intitulée "Sauvegarde des réglages" de la page 23.)

■ Réglages de réverbération

1. Appuyez sur le bouton REVERB pour choisir un type de réverbération. À chaque fois que le bouton REVERB est enfoncé, une sélection de type cyclique se déroulera parmi les réglages SPRING → HALL → PLATE. La lampe-témoin du type de réverbération sélectionné s'allume.
2. Le pourcentage de réverbération est ajusté à l'aide du potentiomètre de réglage REVERB.
 - * Les réglages de réverbération (les réglages de type et du potentiomètre de réglage REVERB) continueront à être appliqués même si vous appuyez sur un bouton AMP SELECT avec l'intention de changer de type d'amplificateur. Si toutefois un numéro de mémoire différent est rappelé, les réglages de réverbération affectés à ce numéro de mémoire seront immédiatement mis en application.

■ Réglages des effets (trémolo, chœur, écho de bande)

1. Appuyez sur le bouton [MODE] pour que lampe témoin EFFECT s'allume. Dès l'accès du mode EFFECT, chaque bouton de réglage, GAIN – REVERB ira se placer sur la position correspondante conservée en mémoire.
 - * S'il existe des réglages antérieurs d'écho de bande dans la mémoire sélectionnée, les potentiomètres de réglage opéreront une rotation pour se placer sur les positions correspondant aux positions réglées en mémoire.
2. Utilisez les boutons GAIN – REVERB pour doser chaque effet comme vous le voulez.
 - **Effet de trémolo**
 - **GAIN (SPEED : vitesse de trémolo)**
Cale la vitesse de l'effet de trémolo (vitesse à laquelle le volume de l'effet est augmenté et diminué). Tournez le bouton vers la droite pour accentuer la vitesse.
 - **MASTER (DEPTH : profondeur de trémolo)**
Cale la profondeur de l'effet de trémolo (limites supérieure et inférieure du volume de l'effet). Tournez le bouton vers la droite pour accentuer l'effet.
 - **Effet de chœur**
 - **TREBLE (SPEED : vitesse de chœur)**
Cale la vitesse de l'effet de chœur (vitesse à laquelle la hauteur du son de l'effet est relevée et abaissée). Tournez le bouton vers la droite pour accentuer la vitesse.
 - **HIGH MID (DEPTH : profondeur de chœur)**
Cale la profondeur de l'effet de chœur (limites supérieure et inférieure de la hauteur du son de l'effet). Tournez le bouton vers la droite pour accentuer l'effet.
 - **LOW MID (LEVEL : niveau de chœur)**
Cale le niveau de mixage de l'effet de chœur.
 - **Effet d'écho de bande**
 - **BASS (TIME : durée d'écho)**
Permet d'ajuster la durée entre le moment où la corde retentit et où l'écho est produit (la durée nécessaire qu'il faut entre un écho produit et le suivant). Tournez le potentiomètre de réglage vers la droite pour prolonger la durée.
 - **PRESENCE (EFFET DE LARSEN)**
Permet de régler la durée de répétition de l'écho. Tournez le potentiomètre de réglage vers la droite pour prolonger la durée. Faites très attention car une rotation excessive du potentiomètre de réglage peut se traduire par une perte de contrôle de l'effet de Larsen qui se manifeste alors.
 - **REVERB (LEVEL : niveau d'écho)**
Ajuste la valeur de volume de l'écho.
3. Lorsque les réglages sont complètement terminés, appuyez sur le bouton [MODE] ou [REVERB] pour que la lampe témoin AMP s'allume. Chaque bouton de réglage GAIN – REVERB reviendra sur la position sur laquelle il se trouvait avant l'accès au mode EFFECT.
 - * Les réglages d'effets resteront en vigueur même lorsque le bouton AMP SELECT est pressé dans le but de sélectionner un autre type d'amplificateur. Lorsque un numéro de mémoire différent est rappelé avec la fonction "Rappel des données de mémoire" (référez-vous à la page 23), l'effet correspondant à ce numéro de mémoire sera appliqué.

Grâce à la façon de procéder qui est indiquée dans cette page, vous pouvez créer vos propres sons originaux (par des réglages) et les sauvegarder dans la mémoire interne de l'amplificateur DG en même temps que les réglages de réverbération et d'effet, ce qui vous permet de les rappeler à volonté et instantanément. La façon dont les données peuvent être sauvegardées en mémoire est décrite à la page suivante.

Rappel et sauvegarde des données

Les données de paramètre prémémorisées, notamment les données spécialement créées par Yamaha pour les amplificateurs de guitare des séries DG, sont prémémorisées aux numéros de mémoire 1 – 80 lorsque l'amplificateur est expédié en sortie d'usine. (Référez-vous à la liste de patch ("Liste de patch" de la page 83.)

Ces données de paramètre englobent le type d'ampli et ses réglages (GAIN, MASTER, tonalité, réverbération, trémolo, chœur et écho de bande) que vous pouvez rappeler à volonté et utiliser à tout moment. Les dispositifs d'entraînement à moteur intégrés dans les potentiomètres régleront automatiquement les potentiomètres sur les positions correspondantes. Par ailleurs, tous les réglages que vous aurez créés peuvent être sauvegardés (mise en mémoire) à n'importe quel numéro de mémoire 1 – 128. Après avoir créé une sonorité préférée, essayez de la sauvegarder.

Rappel de mémoire

Les paramètres de réglage de son qui sont sauvegardés dans les mémoires peuvent être facilement rappelés en choisissant tout simplement un numéro de mémoire.

Dès que le contenu d'une mémoire est rappelé, les réglages qui sont actuellement utilisés seront modifiés en conséquence. Cependant, si vous désirez conserver ces réglages, procédez de la façon indiquée à la rubrique Sauvegarde qui apparaît dans la partie gauche de cette page pour sauvegarder les réglages dans les mémoires.

- Appuyez sur le bouton **[MODE]**, ceci a pour effet d'allumer la lampe-témoin AMP ou EFFECT de l'afficheur.
- Utilisez les boutons **[↑]** / **[↓]** pour sélectionner le numéro de mémoire dont vous désirez rappeler le contenu. Le numéro de mémoire apparaîtra dans l'afficheur (en clignotant).
- Appuyez sur le bouton **[RECALL]**. Le numéro de mémoire qui clignotait reste alors allumé. Le réglage de chacun des potentiomètres de réglage ainsi que l'afficheur Amp Select changera en fonction des données rappelées de la mémoire.

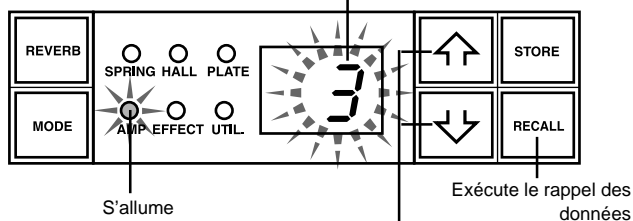
* Les réglages ne changeront pas avant que le bouton **[RECALL]** ne soit enfoncé.

* Les paramètres de réglage affectés aux potentiomètres TRIM et OUTPUT ne changeront pas lors de l'exécution de l'opération de rappel des données.

* Il faut entre 1 à 10 secondes pour que les paramètres de réglage des potentiomètres changent et soient placés sur les positions préréglées, cependant, il faut savoir que les paramètres internes (des sons) changent instantanément.

* Si le potentiomètre de réglage de volume ne parvient pas à la position à laquelle il est affecté ou si l'appareil ne reconnaît pas l'instruction de rappel dans un délai de 20 secondes après que l'opération de rappel ait été exécutée, "E 1" apparaîtra dans l'afficheur. Le fait de persister à utiliser l'appareil dans ces conditions peut se traduire par un amorçage électrique voire provoquer une électrocution de son utilisateur. Rempportez l'appareil au magasin d'instruments de musique où vous l'avez acheté ou portez-le directement dans le service après-vente Yamaha le plus proche de votre domicile pour le faire réparer.

Le numéro de mémoire dont les données doivent être rappelées, tel qu'il apparaît dans l'afficheur, passe du clignotement à l'allumage constant.



Un contrôleur à pédale MIDI ou tout autre appareil MIDI externe peut être utilisé pour choisir et rappeler les données d'une mémoire. Reportez-vous de la page 24 à la page 26 pour obtenir de plus amples détails à ce sujet.

Initialisation de la mémoire

Tout en maintenant le bouton **[LEAD 1]** et la touche **[RECALL]** enfoncées, mettez l'appareil sous tension avec l'interrupteur d'alimentation de manière à initialiser les données et les ramener en données prémémorisées en usine de telle sorte que le contenu de la totalité des données en mémoire sera ramené sur les données prémémorisées en usine.

Lorsque l'opération d'initialisation est exécutée, une réécriture des données qui se trouvent dans les mémoires numéro 1 – 80 sera effectuée par les données de la liste de patch (→page 83) tandis que les données des mémoires numéro 81 – 128 seront également réinitialisées et ramenées en données prémémorisées en usine. Notez que toutes les données que vous aurez sauvegardées en mémoire seront effacées de sorte que nous vous recommandons vivement de sauvegarder vos données et réglages importants dans un appareil MIDI raccordé extérieurement ou dans un document avant d'effectuer cette opération.

Sauvegarde des paramètres de réglage

- Procédez de la façon indiquée à la page 22 et créer un son en utilisant les huit types d'amplificateur préréglés et les potentiomètres de réglage implantés en façade.

* Il est impossible de sauvegarder individuellement les réglages du mode utilitaire dans les mémoires. Lorsque l'alimentation de l'appareil est coupée, chacun des réglages de mémoire est sauvegardé en mémoire sous la forme de réglages communs. Ces réglages sont systématiquement rappelés lorsque l'appareil est remis sous tension.

- Appuyez sur le bouton **[MODE]**, ceci a pour effet d'allumer la lampe-témoin AMP ou EFFECT de l'afficheur.

- Utilisez les boutons **[↑]** / **[↓]** pour sélectionner le numéro de mémoire sous lequel les paramètres de réglage doivent être sauvegardés. Le numéro de mémoire clignotera dans l'afficheur.

* Appuyez et immobilisez l'un des boutons **[↑]** / **[↓]** en position basse pour faire défiler rapidement les numéros de mémoire.

* Le troisième chiffre du numéro de mémoire (de 100 à 128) est indiqué à l'aide d'un point inséré entre les deux autres chiffres.

Exemple) 128 est affiché sous la forme suivante → **2.8**

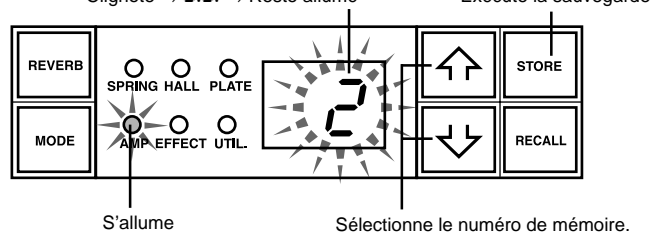
- Appuyez et immobilisez le bouton **[STORE]** en position basse pendant une seconde environ jusqu'à ce que "8.8" apparaisse dans l'afficheur. Relâchez le bouton pour que le numéro de mémoire qui clignotait reste allumé, preuve que le paramètre de réglage est sauvegardé en mémoire.

* Les paramètres de réglage TRIM et OUTPUT ne peuvent pas être sauvegardés en mémoire. Utilisez le potentiomètre de réglage MASTER pour ajuster les niveaux de fond sonore et de solo.

Numéro de mémoire sous lequel sauvegarder.

Clignote → 8.8. → Reste allumé

Exécute la sauvegarde



Les données sauvegardées dans les mémoires (1 – 128) peuvent être sauvegardées dans un appareil de sauvegarde MIDI externe. Reportez-vous à la page 25 pour obtenir de plus amples détails à ce sujet.

CONSEIL Voici quelques conseils sur la façon de sauvegarder des données aux numéros de mémoire

Lorsque vous sauvegardez des données à des numéros de mémoire, séparez les numéros de mémoire 1 à 128 en plusieurs groupes.

Il est plus pratique de rappeler les numéros de mémoire à partir de ces groupes. Par exemple :

- Créez des groupes en fonction du type d'amplificateur utilisé (LEAD1, DRIVE1, etc.).
- Créez des groupes basés sur les types de son (Distorsion, Clean, etc.)
- Créez des groupes basés sur les listes des morceaux joués en public.
- Créez des groupes basés sur le type de guitare utilisée (à bobinage antironflement, etc.)

C'est aussi une bonne idée de conserver un tableau récapitulatif mentionnant sous forme de liste les types de sons qui sont sauvegardés aux numéros de mémoire.

Fonctions faciles à utiliser

Les instructions MIDI peuvent être utilisées pour choisir les numéros de mémoire, contrôler les effets de réverbération, trémolo, chœur et écho de bande ainsi que le réglage de volume de l'amplificateur DG.

Il est également possible d'appliquer un simulateur de haut-parleur au signal de sortie de ligne.

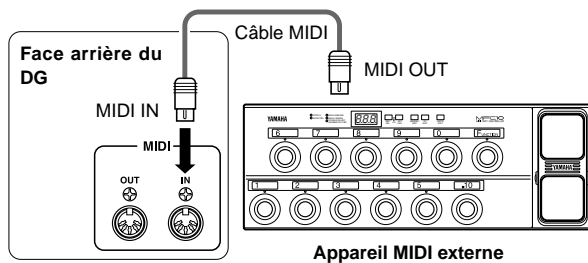
MIDI : De quoi s'agit-il ? MIDI est l'acronyme de Musical Instruments Digital Interface à savoir, l'interface numérique des instruments de musique. MIDI est une interface de communication mondiale normalisée qui permet aux instruments compatibles MIDI, aux ordinateurs et à tout autre appareil MIDI de partager des informations musicales et de se commander mutuellement quel que soit le type d'instrument ou le fabricant.

■ Utilisation de MIDI pour rappeler les données d'une mémoire

Les messages de changement de programme qui sont transmis par un contrôleur à pédale MIDI Yamaha MFC10, etc., ou tout appareil MIDI externe peuvent être utilisés pour rappeler des réglages conservés dans la mémoire de l'amplificateur DG.

1. À l'aide d'un câble MIDI, raccordez la mini-prise MIDI IN de l'amplificateur DG à la mini-prise MIDI OUT d'un appareil MIDI externe.

* Utilisez essentiellement un câble MIDI normalisé dont la longueur ne dépasse pas 15 mètres. En effet, l'utilisation d'un câble plus long peut se traduire par un fonctionnement anormal.



2. Réglez le canal de réception MIDI de l'amplificateur DG et le canal de transmission MIDI de l'appareil externe sur le même numéro de canal MIDI (le pré-réglage d'usine de canal a été fait sur 1).

→ Reportez-vous à la page 25 en ce qui concerne les instructions de réglage intitulées "Introduction du canal de réception MIDI".

3. Créez un tableau de changement de programme *1. (Le pré-réglage d'usine est comme suit : numéro de changement de programme = numéro de mémoire).

→ Reportez-vous à la page 25 en ce qui concerne les instructions de réglage intitulées "Création d'un tableau de changement de programme".

*1 Par exemple, "le numéro de changement de programme 1 qui est reçu permet de rappeler les données affectées au numéro de mémoire 5 de l'amplificateur DG". Pour parvenir à ce résultat, le numéro de changement de programme reçu doit être affecté au numéro de mémoire correspondant.

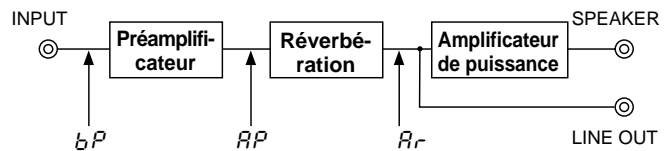
4. Lorsque des données de mémoire de programme sont transmises à partir d'un appareil MIDI externe, les données qui se trouvent dans la mémoire correspondante et affectée au tableau de changement de programme seront immédiatement rappelées.

* Vérifiez dans le mode d'emploi de l'appareil MIDI externe que vous utilisez les instructions relatives à la manière de transmettre les données de changement de programme pour savoir comment procéder.

■ Utilisation de MIDI pour contrôler le volume

Vous pouvez contrôler le volume général de l'amplificateur DG à partir d'un appareil MIDI externe en utilisant le message de changement de commande numéro 7 (volume général) transmis par l'intermédiaire de la mini-prise MIDI OUT d'un appareil MIDI externe à destination de la mini-prise MIDI IN de l'amplificateur DG. Si vous raccordez un contrôleur à pédale MIDI Yamaha MFC10, etc., ou tout appareil MIDI externe équipé d'un contrôleur à pédale, vous pouvez utiliser le contrôleur à pédale pour contrôler le volume en parallèle à une exécution de morceau. En utilisant les trois positions indiquées ci-dessous, vous avez le loisir de choisir la position de commande quant à quel niveau le volume doit changer.

- "bP" : Avant Préamplificateur permet de contrôler le volume avant le préamplificateur.
- "RP" : Après Préamplificateur permet de contrôler le volume après le préamplificateur.
- "RR" : Après REVERB : Permet de contrôler le volume après la réverbération.



1. En effectuant les opérations telles qu'elles sont décrites aux alinéas 1. et 2. du passage précédent intitulé "Rappel des données de mémoire MIDI", raccordez l'appareil MIDI externe et sélectionnez le canal de réception MIDI.

2. Choisissez ensuite la position à partir de laquelle le volume doit être contrôlé. → Reportez-vous à la page 26 en ce qui concerne les instructions de réglage intitulées "Introduction de la position de la pédale de réglage de volume".

3. Quand ces conditions sont réunies, les données de changement de commande numéro 7 transmises par un appareil MIDI externe pourront dès à présent contrôler le volume de l'amplificateur DG.

* L'amplificateur DG n'accepte que les messages de changement de commande MIDI numéros 7 et 91 à 94.

* Pour obtenir de plus amples renseignements sur les données de commande de transmission, veuillez vous référer au mode d'emploi de l'appareil MIDI externe que vous utilisez.

* Les données de contrôle de volume général ne changeront même si un autre numéro de mémoire est sélectionné.

* Les données de contrôle de volume général sont calées sur leur valeur maximum au moment où l'appareil est mis sous tension.

* Une fois que les données de contrôle de volume général ont été modifiées et que l'appareil MIDI externe a été débranché, la valeur du volume peut s'avérer insuffisante. Dans ce cas, transmettez encore une fois les données de changement de contrôle de volume ou bien coupez l'alimentation de l'appareil et rétablissez-la.

■ Contrôle des effets de réverbération, trémolo, chœur et écho de bande par l'intermédiaire de MIDI

Vous pouvez régler le niveau de réverbération (no. 91), la profondeur du trémolo (no. 92), le niveau de chœur (no. 93) et le niveau d'écho de bande (no. 94) en transmettant des messages de changement de contrôle à partir de la prise de sortie MIDI OUT d'autres appareils MIDI à la prise d'entrée MIDI IN de l'amplificateur de guitare DG.

1. Raccordez l'appareil MIDI extérieur en procédant de la façon indiquée aux alinéas 1 et 2 du paragraphe intitulé "Utilisation de MIDI pour rappeler les données d'une mémoire" de cette page et déterminez le canal de réception MIDI.

2. Transmettez le numéro de changement de contrôle de paramètre ainsi que les données de changement de contrôle à partir de l'appareil MIDI extérieur pour que vous puissiez contrôler les paramètres de réglage des effets mentionnés plus haut.

* Pour obtenir des explications plus détaillées sur la transmission des données de changement de contrôle, référez-vous au mode d'emploi de votre appareil MIDI extérieur.

■ Simulateur de haut-parleur

Le simulateur de haut-parleur de l'amplificateur DG rajoute au signal de sortie de ligne une simulation de son de haut-parleur tout à fait naturel. Le simulateur de haut-parleur peut être utilisé sur le signal de sortie de ligne lorsque la mini-prise LINE OUT est raccordée à un mélangeur ou à un enregistreur.

→ Reportez-vous à la rubrique intitulée "Activation ou désactivation du simulateur de haut-parleur" du présent mode d'emploi en ce qui concerne les instructions de réglage.

Mode utilitaire

Le mode utilitaire sert à effectuer des réglages MIDI, faire les réglages du simulateur de haut-parleur et de position de pédale de contrôle de volume. Pour passer en mode utilitaire, maintenez le bouton **[MODE]** enfoncé pendant au moins une seconde. La lampe-témoin de l'afficheur de mode "UTIL." s'allumera. Chacun des réglages sera conservé en mémoire même après avoir coupé l'alimentation de l'amplificateur. Pour quitter le mode utilitaire, il suffit d'appuyer sur le bouton **[MODE]** de telle sorte que la lampe-témoin de l'afficheur "AMP" (mode amplificateur) s'allumera.

* Notez que les messages MIDI ne peuvent pas être reçus lorsque le mode utilitaire est appliqué, par conséquent, reportez-vous aux passages respectivement intitulés "Utilisation de MIDI pour rappeler les données d'une mémoire", "Utilisation de MIDI pour contrôler le volume", "Contrôle des effets de réverbération, trémolo, chœur et écho de bande par l'intermédiaire de MIDI" et "Entrée de grande capacité MIDI" du présent mode d'emploi pour exécuter les opérations MIDI correspondantes.

■ Création d'un tableau de changement de programme

Grâce à cette procédure, un numéro de mémoire spécifique de la mémoire interne de l'amplificateur DG peut être rappelé avec un numéro de changement de programme tel qu'il est reçu en provenance d'un appareil MIDI externe.

* Préréglage usine : Numéro de changement de programme = numéro de mémoire.

1. Maintenez le bouton **[MODE]** enfoncé pendant au moins une seconde. La lampe-témoin de l'afficheur de mode "UTIL." s'allumera. (Mode utilitaire)
2. Enfoncez le bouton **[LEAD 1]**.
3. Utilisez les boutons **[↑]** / **[↓]** pour sélectionner le numéro de changement de programme (1 - 28) qui doit être transmis par l'appareil MIDI externe. Le numéro apparaît dans l'afficheur.
4. Enfoncez le bouton **[LEAD 2]**.
5. Utilisez les boutons **[↑]** / **[↓]** pour sélectionner le numéro de mémoire (1 - 28) qui doit être rappelé de la mémoire interne de l'amplificateur DG.
6. Refaites les opérations 2 à 5 mentionnées ci-dessus suivant vos besoins spécifiques.

■ Introduction du canal de réception MIDI

Ceci permet de spécifier le canal de réception MIDI de l'amplificateur DG.

* Pour que les opérations de transmission et de réception de données MIDI puissent se dérouler entre des appareils MIDI, le canal MIDI des deux appareils doit être identique sinon les données ne seront pas transmises avec succès. (Le préréglage usine a été fait sur le canal 1.)

1. Maintenez le bouton **[MODE]** enfoncé pendant au moins une seconde. La lampe-témoin de l'afficheur de mode "UTIL." s'allumera. (Mode utilitaire)
2. Enfoncez le bouton **[DRIVE 1]**. Ceci aura pour effet de faire apparaître le canal de réception MIDI actuellement en vigueur dans l'afficheur.
3. Utilisez les boutons **[↑]** / **[↓]** pour sélectionner le canal MIDI de réception (1 - 16, R 11, OF).

* Lorsque le réglage "R 11" est choisi, la valeur Omni est activée.

■ Réglage de la fusion MIDI

Si vous voulez que le signal MIDI qui est reçu par la mini-prise MIDI IN de l'amplificateur DG soit transmis à d'autres appareils MIDI par l'intermédiaire de la mini-prise MIDI OUT de l'amplificateur DG, réglez la fonction de fusion MIDI sur "on" (activation). Si vous ne désirez pas que les données soient transmises, réglez la fusion sur "oF" (désactivation).

1. Maintenez le bouton **[MODE]** enfoncé pendant au moins une seconde. La lampe-témoin de l'afficheur de mode "UTIL." s'allumera.
2. Enfoncez le bouton **[DRIVE 2]**. Ceci aura pour effet de faire apparaître le réglage de fusion MIDI actuellement en vigueur dans l'afficheur.
3. Utilisez les boutons **[↑]** / **[↓]** pour sélectionner "on" ou "oF".

■ Sortie de grande capacité MIDI

Vous pouvez faire une copie de sauvegarde des données conservées dans la mémoire interne de l'amplificateur DG en les sauvegardant dans un appareil de stockage de données MIDI externe (MDF3 Yamaha, etc.).

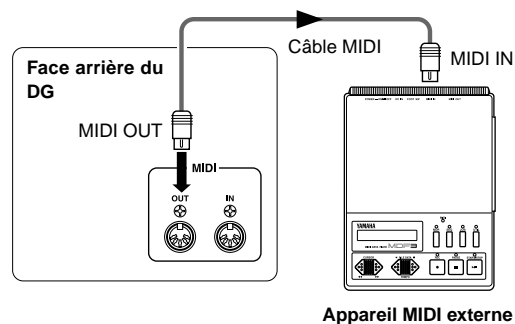
1. Utilisez un câble MIDI pour raccorder la mini-prise MIDI OUT de l'amplificateur DG à la mini-prise MIDI IN d'un appareil de stockage MIDI externe.
2. Maintenez le bouton **[MODE]** enfoncé pendant au moins une seconde. La lampe-témoin de l'afficheur de mode "UTIL." s'allumera.
3. Pour transmettre le contenu de toutes les mémoires (128 mémoires et les données de réglage utilitaire) en effectuant une sortie de grande capacité :
→ Enfoncez le bouton **[CRUNCH 1]**. Ceci fait apparaître "R 11" dans l'afficheur.
Pour transmettre le contenu d'une seule mémoire.

→ Enfoncez le bouton **[CRUNCH 2]**. Utilisez les boutons **[↑]** / **[↓]** pour sélectionner le numéro de mémoire (1 - 128, R 11) dans laquelle les données doivent être sauvegardées en effectuant une sortie de grande capacité.

* Si "R 11" est sélectionné pour effectuer une sortie de grande capacité, l'ensemble des données du contenu de toutes les mémoires (128 mémoires) sera transmis.

4. Appuyez sur le bouton **[STORE]** pour exécuter la sortie de grande capacité. Appuyez sur le bouton **[MODE]** pour annuler cette opération.

* Le numéro d'appareil est identique au numéro de canal de réception MIDI. Si le canal de réception MIDI est réglé sur "R 11" (activation de Omni), le numéro d'appareil sera réglé sur 1.



■ Entrée de grande capacité MIDI

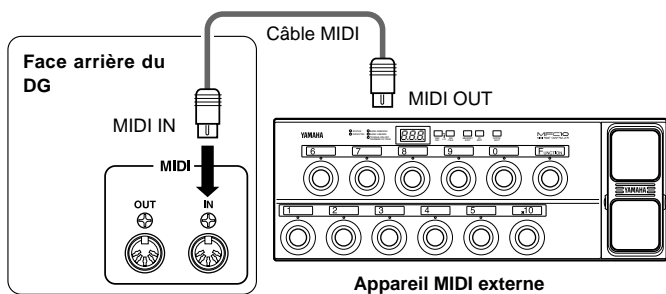
Utilisez un câble MIDI pour raccorder la mini-prise MIDI IN de l'amplificateur DG à la mini-prise MIDI OUT d'un appareil MIDI externe. Renvoyez vos données MIDI à l'amplificateur DG.

* L'opération d'entrée de grande capacité MIDI s'effectue uniquement à partir du mode AMP ou EFFECT. Elle ne peut pas être faite à partir du mode utilitaire.

* Le numéro d'appareil est identique au numéro de canal de réception MIDI. Si le canal de réception MIDI est réglé sur "R 11" (activation de Omni) le canal MIDI sera réglé sur le numéro 1. L'amplificateur DG sera dans l'incapacité de recevoir les données si le canal MIDI est réglé sur "oF" (désactivation).

* "L 1" apparaît dans l'afficheur pendant le déroulement de l'opération d'entrée de grande capacité MIDI.

Mode utilitaire



■ Transmission ou réception de données MIDI entre des amplificateurs de série DG.

Vous pouvez vous servir des fonctions d'entrée ou de sortie de grande capacité de données MIDI de manière à faire une copie des données de configuration de mémoire et utilitaires d'un amplificateur de guitare de série DG à un autre amplificateur (DG100-212A / DG80-210A / DG80-112A / DG130HA).

* Assurez-vous que l'amplificateur DG recevant les données est bien réglé en mode AMP ou en mode EFFECT.

■ Activation ou désactivation du simulateur de haut-parleur

Le simulateur de haut-parleur de l'amplificateur DG rajoute une simulation de son de haut-parleur tout à fait naturelle au signal de sortie de ligne. Le simulateur de haut-parleur peut être utilisé avec le signal de ligne à condition que la mini-prise LINE OUT soit raccordée à un mélangeur ou à un enregistreur.

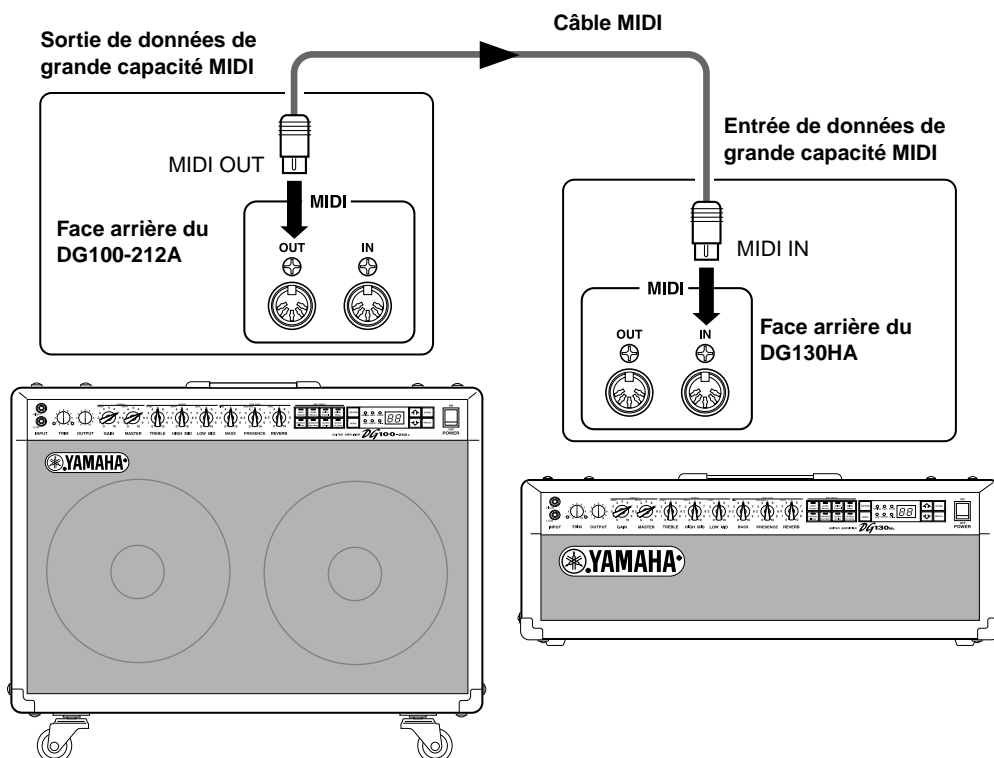
1. Maintenez le bouton **MODE** enfoncé pendant au moins une seconde. La lampe-témoin de l'afficheur de mode "UTIL." s'allumera.
2. Enfoncez le bouton **CLEAN1**. Ceci aura pour effet de faire apparaître le réglage actuellement en vigueur dans l'afficheur.
3. Utilisez les boutons **↑** / **↓** pour sélectionner "on" ou "off" (activation ou désactivation).

■ Introduction de la position de contrôle par pédale du volume

Déterminez la position de contrôle du volume, par l'intermédiaire de MIDI, à partir de laquelle elle doit se produire. (Reportez-vous à la rubrique intitulée "Utilisation de MIDI pour contrôler le volume" de la page 24 pour obtenir de plus amples renseignements sur la position de la pédale de contrôle de volume.)

1. Maintenez le bouton **MODE** enfoncé pendant au moins une seconde. La lampe-témoin de l'afficheur de mode "UTIL." s'allumera.
2. Enfoncez le bouton **CLEAN2**. Ceci aura pour effet de faire apparaître le réglage actuellement en vigueur dans l'afficheur.
3. Utilisez les boutons **↑** / **↓** pour sélectionner la position de contrôle par pédale du volume (bP, RP, Rr).

EX.) Copie des données en mémoire d'un amplificateur DG100-212A à un amplificateur DG130HA.



Messages d'erreur

Si une erreur se produit pendant les opérations, l'un des messages suivants apparaîtra dans l'afficheur.

E 1: Erreur d'entraînement de moteur

ORIGINE: Le potentiomètre de réglage n'est pas revenu sur sa position prédéterminée dans un délai de 20 secondes à compter du moment où la commande de retour a été faite ou bien l'appareil ne reconnaît pas l'instruction de rappel.

REMÈDE: Coupez l'alimentation et remportez l'appareil au magasin d'instruments de musique où vous l'avez acheté ou portez-le directement dans le service après-vente Yamaha le plus proche de votre domicile pour le faire réparer.

E 2: Saturation de la mémoire tampon de réception MIDI

ORIGINE: L'amplificateur DG reçoit une quantité excessive de données MIDI en une seule fois.

REMÈDE: Essayez de réduire la capacité des données à transmettre ou bien divisez l'ensemble des données à transmettre en plusieurs blocs.

E 3: Erreur de communication

ORIGINE: Une anomalie est détectée pendant les communications MIDI.

REMÈDE: Vérifiez l'ensemble des connexions et les données concernées puis refaire une tentative.

E 4: Erreur du total de contrôle de réception de grande capacité

ORIGINE: Le total de contrôle ne correspond pas aux données MIDI de grande capacité reçues.

REMÈDE: Vérifiez l'ensemble des connexions et les données concernées puis refaire une tentative.

E 5: Anomalie dans les données de réception de grande capacité

ORIGINE: Une anomalie est détectée dans les données MIDI de grande capacité reçues.

REMÈDE: Vérifiez l'ensemble des connexions et les données concernées puis refaire une tentative.

E 6: Erreur de pile d'alimentation auxiliaire

ORIGINE: La pile d'alimentation auxiliaire de mémoire est totalement épuisée.

REMÈDE: Le fait de persister à utiliser l'appareil dans ces conditions peut se traduire par une perte des données. Remportez l'appareil au magasin d'instruments de musique où vous l'avez acheté ou portez-le directement dans le service après-vente Yamaha le plus proche de votre domicile pour que la pile d'alimentation auxiliaire soit remplacée.

Fiche technique

Étage numérique

Traitement de signal numérique intégral
Préréglage interne de 8 canaux
Réverbération numérique (SPRING/HALL/PLATE)
Effets numériques (trémolo, chœur et écho de bande)
Simulateur de haut-parleur (LINE OUT)

Étage analogique

DG100-212A : Amplificateur de puissance à semi-conducteurs de 100 W (4 ohms)
Haut-parleur de 30 cm (Celestion Vintage 30) : 2

DG80-210A : Amplificateur de puissance à semi-conducteurs de 80 W (8 ohms)
Haut-parleur de 25 cm (V10-60) : 2

DG80-112A : Amplificateur de puissance à semi-conducteurs de 80 W (8 ohms)
Haut-parleur de 30 cm (Celestion G12H-100) : 1

DG130HA : Amplificateur de puissance à semi-conducteurs de 130 W (4 ohms)

Fonction MIDI



Réception : Changement de programme, changement de commande (no. 7, 91, 92, 93, 94), entrée à grande capacité

Transmission : Sortie à grande capacité, sortie fusion

Contrôleur / Commutateurs

En façade : TRIM, OUTPUT, GAIN (TREMOLO SPEED), MASTER (TREMOLO DEPTH), TREBLE (CHORUS SPEED), HIGH MID (CHORUS DEPTH), LOW MID (CHORUS LEVEL), BASS (TAPE ECHO TIME), PRESENCE (TAPE ECHO FEED BACK), REVERB (TAPE ECHO LEVEL)

Face arrière : Volume LINE OUT, EFFECT BLEND

Commutateurs : AMP SELECT (LEAD1, LEAD2, DRIVE1, DRIVE2, CRUNCH1, CRUNCH2, CLEAN1, CLEAN2), REVERB, MODE, , , STORE, RECALL

Afficheur

Diodes électroluminescentes d'afficheur AMP SELECT : 8
Diodes électroluminescentes d'afficheur MODE : 3
Diodes électroluminescentes de type REVERB : 3
Diodes électroluminescentes de 7 segments : 2 chiffres

Indicateur

Diode électroluminescente d'afficheur de niveau d'ajustement (vert)
Diode électroluminescente d'afficheur d'écrtétage d'ajustement (rouge)

Mini-prises de connexion

INPUT HIGH/LOW: Mini-prise mono de téléphone standard
SPEAKER (DG100-212A: x1, DG80-210A: x2, DG80-112A: x2, DG130HA: x2): Mini-prise mono de téléphone standard
EFFECT SEND/RETURN : Mini-prise mono de téléphone standard
LINE OUT : Mini-prise encastrée
MIDI IN, MIDI OUT : Prise DIN 5 broches

Convertisseur A-N 20 bits

Convertisseur N-A 20 bits

Fréquence d'échantillonnage 48 kHz

Nombre de mémoires 128

Niveau d'entrée / d'impédance

INPUT HIGH : - 30 dBm (THRU) / 1 Mégohms
INPUT LOW : - 20 dBm (THRU) / 1 Mégohms
EFFECT RETURN : 0 dBm / 120 k-ohms

Niveau de sortie / d'impédance

DG100-212A

SPEAKER: 100 W efficace / 4 ohms
LINE OUT: +4 dBm / 600 ohms
EFFECT SEND: 0 dBm / 2,2 k-ohms

DG80-210A/DG80-112A

SPEAKER: 80 W efficace / 8 ohms, 100 W efficace / 4 ohms
LINE OUT: +4 dBm / 600 ohms
EFFECT SEND: 0 dBm / 2,2 k-ohms

DG130HA

SPEAKER: 130 W efficace / 4 ohms
LINE OUT: +4 dBm / 600 ohms
EFFECT SEND: 0 dBm / 2,2 k-ohms

Conditions d'alimentation

Modèles pour les États-Unis et le Canada : 120 V, 60 Hz
Modèle général : 230 V, 50 Hz

Puissance consommée

DG100-212A : 100 W
DG80-210A : 100 W
DG80-112A : 100 W
DG130HA : 140 W

Encombrement (largeur) x (hauteur) x (profondeur)

DG100-212A : 712 x 574 x 284 mm (avec les roulettes)
DG80-210A : 595 x 471 x 284 mm
DG80-112A : 542 x 510 x 284 mm
DG130HA : 711 x 250 x 284 mm

Poids DG100-212A : 33,5 kg

DG80-210A : 26,0 kg

DG80-112A : 25,0 kg

DG130AH : 18,0 kg

* Sous réserve de modification des renseignements techniques et du design sans préavis.

Utilisation de l'enceinte acoustique S412V/S112

S412V

L'enceinte acoustique S412V est dotée de quatre haut-parleurs Celestion "Vintage30".

- * Sa puissance admissible est de 240 W. Utilisez un préamplificateur dont la puissance de sortie est égale ou inférieure à 240 W.
- * L'impédance est de 8 Ω. Vérifiez l'impédance du préamplificateur et assurez-vous qu'elle remplit les conditions imposées par les haut-parleurs.
- * Si toutefois vous utilisez plus de deux haut-parleurs, assurez-vous que l'impédance totale des haut-parleurs remplit les conditions imposées par le préamplificateur. Reportez-vous à la rubrique intitulée "Branchement des haut-parleurs" de la page 21.

■ Fiche technique

Haut-parleur	Haut-parleur de 30 cm (Celestion "Vintage 30") : 4
Puissance admissible	240 W
Impédance	8 ohms
Encombrement (L x H x P)	765 x 820 x 359 mm (avec roulettes)
Poids	44,0 kg (avec roulettes)
Accessoire	Câble de raccordement de haut-parleur

● Haut-parleur

Taille de haut-parleur	30 cm
Taille de bobine mobile	∅ 44 mm
Aimant	En ferrite, 1,42 kg
Gamme de fréquences	70 Hz – 5 kHz
Sensibilité	100 dB (1 m/W)
Puissance admissible	60 W (efficace)
Impédance nominale	8 ohms
Fréquence fondamentale	70 Hz

* Sous réserve de modification des renseignements techniques et de l'aspect extérieur sans préavis.

S112

L'enceinte acoustique S112 est dotée d'un haut-parleur Celestion "G12H-100".

- * Sa puissance admissible est de 100 W. Utilisez un préamplificateur dont la puissance de sortie est égale ou inférieure à 100 W.
- * L'impédance est de 8 Ω. Vérifiez l'impédance du préamplificateur et assurez-vous qu'elle remplit les conditions imposées par les haut-parleurs.
- * Si toutefois vous utilisez plus de deux haut-parleurs, assurez-vous que l'impédance totale des haut-parleurs remplit les conditions imposées par le préamplificateur. Reportez-vous à la rubrique intitulée "Branchement des haut-parleurs" de la page 21.

■ Fiche technique

Haut-parleur	Haut-parleur de 30 cm (Celestion "G12H-100") : 1
Puissance admissible	100 W
Impédance	8 ohms
Encombrement (L x H x P)	542 x 510 x 284 mm
Poids	16,0 kg
Accessoire	Câble de raccordement de haut-parleur

● Haut-parleur

Taille de haut-parleur	30 cm
Taille de bobine mobile	∅ 44 mm
Aimant	En ferrite, 1,42 kg
Gamme de fréquences	82 Hz – 5,5 kHz
Sensibilité	100 dB (1 m/W)
Puissance admissible	100 W (efficace)
Impédance nominale	8 ohms
Fréquence fondamentale	82 Hz

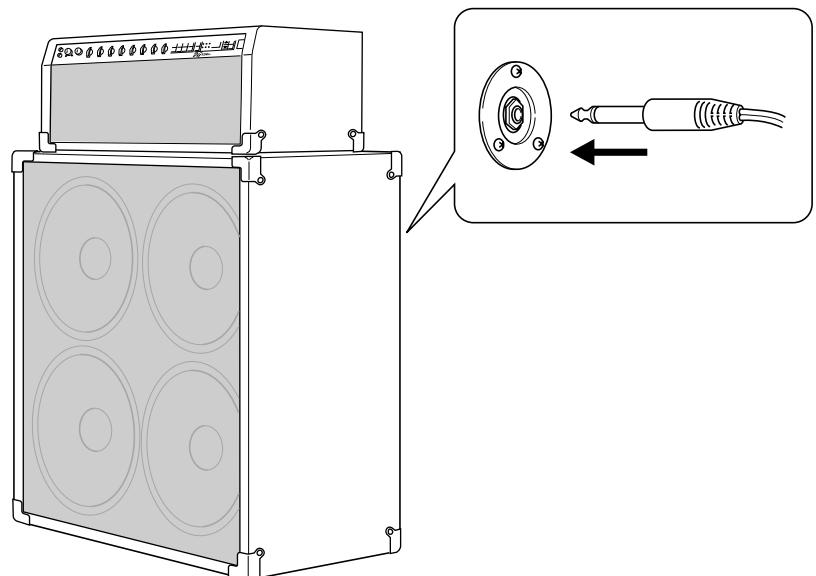
* Sous réserve de modification des renseignements techniques et de l'aspect extérieur sans préavis.

■ Branchement

1. Commutez l'interrupteur d'alimentation de l'amplificateur sur sa position d'arrêt et réglez le volume sur "0".

* Le fait de raccorder les haut-parleurs en conservant l'amplificateur sous tension ou le volume réglé normalement risque d'abîmer sérieusement les haut-parleurs comme l'amplificateur.

2. Utilisez les câbles de raccordement de haut-parleur fournis, raccordez la prise à fiche visible sur la face arrière de l'enceinte acoustique S412V/S112 à la mini-prise de sortie de haut-parleur du préamplificateur (la mini-prise SPEAKER de l'amplificateur de série DG).



GITARRENVERSTÄRKER

DG100-212A

DG80-210A

DG80-112A

GITARRENVERSTÄRKERKOPF

DG130HA

LAUTSPRECHERBOX

S412V

S112

Bedienungsanleitung

Zunächst möchten wir uns bei Ihnen dafür bedanken, daß Sie sich für einen Gitarrenverstärker der DG-Serie von Yamaha entschieden haben.

Von ihrer Grundkonzeption an waren die digitalen Gitarrenverstärker der DG-Serie eine Yamaha-eigene Entwicklung. Diese Gitarrenverstärker liefern kraftvolle Röhrenverstärker-Klänge und bieten dabei eine Stabilität, die von anderen Röhrenverstärkern nicht erzielt werden kann. Die Verstärker warten mit acht Verstärker-Presets auf, die Sie zur Erstellung eigener Sound-Variationen frei maßschneidern können. Insgesamt 128 solcher Klangeinstellungen können intern gespeichert und bei Bedarf über die Tasten an der Frontplatte oder per MIDI-Fuß-Controller abgerufen werden. Die Gitarrenverstärker der DG-Serie sind darüber hinaus mit vier internen digitalen Effekten (Reverb, Tremolo, Chorus und Tape Echo) ausgestattet, mit denen Sie die klangliche Färbung Ihrer Soundkreationen bei Bedarf nuancieren können, und ein Lautsprecher-Simulator fügt dem Line-Ausgangssignal realistische Lautsprechersimulation hinzu. Eine qualitativ hochwertige Ausführung und benutzerfreundliche Bedienelemente ermöglichen Ihnen das Arbeiten mit einer Vielzahl von Klangfärbungen.

Die S412V-Box ist mit vier 30 cm Celestion-Lautsprecherchassis des Typs "Vintage 30" bestückt und mit 240 W belastbar.

Die S112-Box ist mit einem 30 cm Celestion-Lautsprecherchassis des Typs "G12H-100" bestückt und mit 100 W belastbar.

Um das Potential Ihres Gitarrenverstärkers der DG-Serie über Jahre hinweg voll ausschöpfen zu können, empfehlen wir Ihnen, diese Anleitung aufmerksam durchzulesen und dann für später anfallende Fragen gut aufzubewahren.

DG100-212A/DG80-210A/DG80-112A/DG130HA

Vorsichtsmaßnahmen	31
Bedienelemente	32
■ Frontplatte	32
■ Rückwand	33
Lautsprecheranschluß	34
■ Beim DG100-212A	34
■ Beim DG80-210A/DG80-112A	34
■ Beim DG130HA	34
Gebrauch Ihres Verstärkers der DG-Serie	35
■ Zunächst einen provisorischen Klang erzeugen	35
■ Den TRIM-Pegel einstellen	35
■ Klangeinstellungen	35
■ REVERB-Einstellungen	35
■ Effekteinstellungen (TREMOLO, CHORUS, TAPE ECHO)	35
Abrufen und Speichern von Klangeinstellungen	36
■ Abrufen gespeicherter Klangeinstellungen	36
■ Speichern von Klangeinstellungen	36
Nützliche Funktionen	37
■ MIDI-gesteuerter Programmabruf	37
■ MIDI-gesteuerte Lautstärkeregelung	37
■ MIDI-gesteuerte Einstellung der Effekte REVERB, TREMOLO, CHORUS und TAPE ECHO	37
■ Lautsprechersimulator	37

Utility-Modus	38
■ Einrichten einer MIDI-Programmwechselliste	38
■ Einstellen des MIDI-Empfangskanals	38
■ Einstellen der MIDI-Mischfunktion (Merge)	38
■ MIDI Bulk-Übertragung	38
■ MIDI Bulk-Empfang	38
■ MIDI-Übertragung/Empfang zwischen Verstärkern der DG-Serie	39
■ Ein- und Ausschalten des Lautsprechersimulators	39
■ Einstellen des Regelpunkts für pedalgesteuerte Lautstärkeregelung	39
Fehlermeldungen	40
Technische Daten	41
Implementierungstabelle	82
Preset-Liste	83

S412V/S112

Gebrauch der S412V/S112	42
--------------------------------------	-----------

Vorsichtsmaßnahmen

- Vermeiden Sie den Gebrauch des Verstärkers/Lautsprechers an folgenden Orten, um eine mögliche Beschädigung zu vermeiden:
 - In direkter Sonnenbestrahlung oder neben einem Heizkörper.
 - An extrem kalten oder heißen Orten.
 - An Orten, wo das Gerät hoher Feuchtigkeit oder übermäßiger Staubeinwirkung ausgesetzt ist.
 - An Orten, wo das Gerät starken Erschütterungen oder Vibrationen ausgesetzt ist.
- Bevor Sie irgendwelche Anschlüsse machen, sollten Sie sich stets vergewissern, daß der Gitarrenverstärker sowie alle externen Geräte AUSgeschaltet sind.
- Zum Schutz der Lautsprecher vor möglichen Schäden stellen Sie den OUTPUT-Regler auf "0", bevor Sie das Gerät ein- oder ausschalten.
- Schalten Sie das Gerät vor dem Anschluß eines Lautsprechers AUS.
- Wenden Sie beim Betätigen der Schalter und Regler nicht zu viel Kraft auf.
- Bei Ihrem Yamaha-Gitarrenverstärker handelt es sich um ein Präzisionsgerät. Behandeln Sie ihn mit entsprechender Umsicht, damit er nicht angestoßen oder durch einen Fall beschädigt wird.
- Der Verstärker erwärmt sich beim Betrieb. Achten Sie darauf, daß das Gerät an einem gut belüfteten Platz steht. Der DG130HA sollte so aufgestellt werden, daß neben, vor und hinter dem Verstärker jeweils mindestens 30 cm Freiraum verbleibt.
- Ziehen Sie zur Sicherheit stets den Netzstecker aus der Steckdose, wenn ein Gewitter aufzieht.
- Achten Sie bei Gebrauch auf ausreichenden Abstand zu Leuchtkelemlampen oder Leuchtstofflampen, um unerwünschte Rauscheinstrahlungen zu vermeiden.

- Um eine Beschädigung und einen möglichen elektrischen Schlag zu vermeiden, öffnen Sie bitte niemals das Gehäuse und vermeiden ein Berühren der internen Schaltungen.
- Verwenden Sie zum Reinigen des Geräts niemals Benzin, Verdünnern oder andere flüchtige Flüssigkeiten, da solche Chemikalien die Gehäuseoberfläche angreifen und verfärben können. Wischen Sie Staub und Schmutz mit einem trockenen, weichen Lappen ab.

Über die Speicherschutzbatterie (Gitarrenverstärker der DG-Serie)

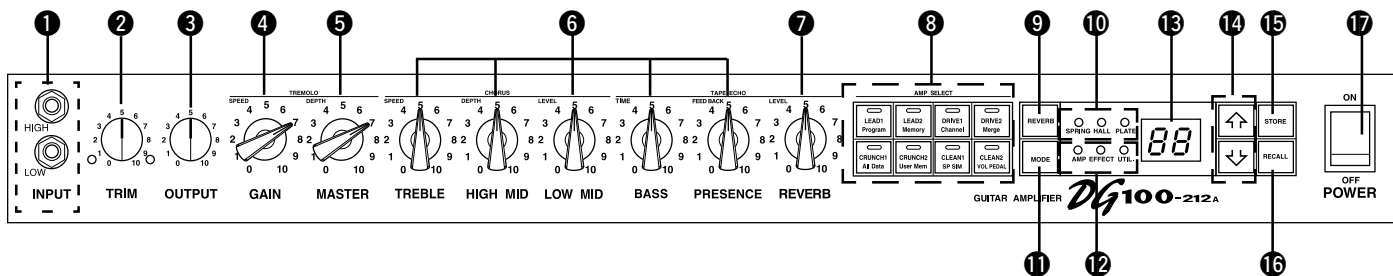
Eine Speicherschutzbatterie (Lithiumbatterie) sorgt dafür, daß die im Gerät gespeicherten Daten (Einstellungen) beim Ziehen des Netzsteckers nicht verloren gehen. Diese internen Daten gehen jedoch verloren, wenn die Speicherschutzbatterie verbraucht ist, weshalb wir Ihnen anraten, den Speicherinhalt auf ein externes Datenspeichergerät wie beispielsweise den Yamaha MIDI Data Filer MDF3 zu übertragen (→ Seite 38), oder handschriftlich festzuhalten. Die durchschnittliche Lebensdauer der Lithiumbatterie beträgt etwa 3 Jahre. Sollte ein Austausch erforderlich werden, wenden Sie sich bitte an das Musikgeschäft, in dem das Gerät erworben wurde, oder einen autorisierten Kundendienst.

- Versuchen Sie bitte nicht, die Batterie selbst auszutauschen.
- Achten Sie darauf, daß die Speicherschutzbatterie nicht in Kinderhände gerät!
- Wenn die Batteriespannung bis auf einen kritischen Punkt abfällt, wird "E5" auf dem Display angezeigt. Bei einer derart schwachen Batterie können gespeicherte Daten verloren gehen.
- Datenverlust kann bei falscher Handhabung sowie auch bei Reparaturarbeiten am Gerät auftreten.

Bedienelemente

■ Frontplatte

* Die Abbildung zeigt den DG100-212A.



1 Eingangsbuchse (INPUT, HIGH/LOW)

Hier wird die Gitarre angeschlossen. Gitarren mit hohem Ausgangspegel sollten an die LOW-Buchse angeschlossen werden. Instrumente mit niedrigem Ausgangspegel sollten an die HIGH-Buchse angeschlossen werden.

* Schalten Sie das Gerät vor dem Anschließen der Gitarre aus.

2 Trimmregler (TRIM)

Zum Anpassen des Gitarren-Ausgangspegels an den Eingangspegel des Vorverstärkers (→ Seite 35).

* TRIM-Pegeleinstellungen werden nicht gespeichert.

3 Ausgangspegelregler (OUTPUT)

Zum Einstellen des Endstufen-Ausgangspegels.

Mit diesem Regler wird die Lautstärke des vorverstärkerseitig per GAIN- und MASTER-Regler, Klangreglern usw. vorgegebenen Tonsignals eingestellt. Die Lautstärke wird ohne Änderung des Verstärker-Klangcharakters geregelt.

* Ausgangspegelinstellungen werden nicht gespeichert.

* Der Regler hat keinen Einfluss auf den Pegel der LINE OUT-Buchsen 2.

4 Verstärkungsregler (GAIN)

Dient zur Regelung des Verzerrungsgrads.

* Wenn der GAIN-Regler auf "0" eingestellt ist, wird auch bei ganz aufgedrehtem MASTER-Regler 5 kein Ton erzeugt.

Bei aktiviertem EFFECT-Einstellmodus dient der GAIN-Regler zur Einstellung der Tremolo-Geschwindigkeit (SPEED). (→ Seite 35.)

5 Lautstärkereglern (MASTER)

Zur Regelung der Gesamtlautstärke des per GAIN- und Klangregler eingestellten Tonsignals. Der Regler wirkt auch auf den Vorverstärker-Ausgangspegel.

* Gesamtlautstärkeinstellungen werden gespeichert.

Bei aktiviertem EFFECT-Einstellmodus dient der MASTER-Regler zur Einstellung der Tremolo-Tiefe (DEPTH). (→ Seite 35.)

6 Klangregler (TREBLE, HIGH MID, LOW MID, BASS, PRESENCE)

Zum Einstellen des Signalpegels für den jeweiligen Frequenzbereich. Bei aktiviertem EFFECT-Einstellmodus haben diese Regler die folgenden Einstellfunktionen. (→ Seite 35.)

- TREBLE, HIGH MID, LOW MID → Geschwindigkeit (SPEED), Tiefe (DEPTH), Pegel (LEVEL) für CHORUS-Effekt.
- BASS, PRESENCE → Echozeit (TIME) und Effektdauer (FEEDBACK) für TAPE ECHO-Effekt.

7 Hallregler (REVERB)

Zur Einstellung der Stärke des Reverb-Effekts (→ Seite 35). Bei aktiviertem EFFECT-Einstellmodus dient der REVERB-Regler zum Einstellen des LEVEL-Werts für den Bandechoeffekt. (→ Seite 35.)

8 Verstärker-Wahlwaste mit Anzeige-LEDs

(AMP SELECT – LEAD 1/2, DRIVE 1/2, CRUNCH 1/2, CLEAN 1/2)

Zum Auswählen eines der acht Verstärker-Presets. Die Anzeige-LED des gewählten Verstärkertyps leuchtet zur Bestätigung. (→ Seite 35.) Im Utility-Modus dienen diese Tasten zum Einstellen von MIDI-Funktionen sowie zum Ein- und Ausschalten des Lautsprecher-Simulators und dgl. (→ Seite 38.)

* Beim Drücken einer der AMP SELECT-Tasten kehren die Regler 4 bis 6 zu Ihren Standardpositionen zurück (GAIN und MASTER = 7; alle Klangregler = 5). Die Position des REVERB-Reglers ändert sich jedoch nicht.

9 Halltyp-Wahlwaste (REVERB)

10 Halleffekt-Anzeigelampen (SPRING, HALL, PLATE)

Mit der [REVERB]-Taste wählen Sie den gewünschten Halleffekt. Die Anzeigelampe des jeweils gewählten Effekts leuchtet zur Bestätigung. (→ Seite 35.)

11 Modus-Wahlwaste (MODE)

12 Modus-Anzeigelampen (AMP, EFFECT, UTIL.)

Zeigen den aktuellen Modus an.

• AMP (Verstärker)

Dies ist der normale Spielmodus. Die Tasten und Regler an der Frontplatte haben in diesem Modus die aufgedruckten Funktionen. (Bei Reglern und Tasten, die mit zwei Funktionen gekennzeichnet sind, ist die untere Funktion aktiv.)

Beim Abrufen eines gespeicherten Programms wird automatisch dieser Modus vorgegeben.

• EFFECT (Effekt-Einstellmodus) → Seite 35

In diesem Modus werden die Effekte (Tremolo, Chorus und Tape Echo) eingestellt. Zum Aufrufen dieses Modus tippen Sie die [MODE]-Taste im AMP-Modus einmal kurz an.

• UTIL. (Utility) → Seite 38

Dieser Modus dient zum Einstellen von MIDI-Funktionen, zum Ein-/Ausschalten der Lautsprecher-Simulation und zum Einstellen des Regelpunkts für pedalgesteuerte Lautstärkeregelung. Zum Aufrufen dieses Modus halten Sie die [MODE]-Taste im AMP-Modus bzw. EFFECT-Einstellmodus etwa eine Sekunde lang gedrückt.

13 Display

Zeigt Speicherplatz-, Programmwechsel-, MIDI-Kanalnummern u. dgl. an.

14 ↑/↓-Tasten

Zum Erhöhen/Erniedrigen der Speicherplatznummer um 1. Dienen außerdem zum Erhöhen/Erniedrigen von Werten um 1. Im Utility-Modus dienen die Tasten zum Erhöhen/Erniedrigen von Werten um 1 sowie zum Ein-/Ausschalten von Funktionen. Bei gedrückt gehaltener Taste ändert sich der angezeigte Wert übergangslos.

15 Speichertaste (STORE)

Zum Sicherstellen der aktuellen Klangeinstellung im internen Programmspeicher (→ Seite 36). Dient außerdem zum Ausführen von MIDI Bulk Dump-Vorgängen (→ Seite 38).

16 Abruftwaste (RECALL)

Zum Abrufen gespeicherter Programme. Hierzu wählen Sie zunächst mit den ↑/↓-Tasten die Nummer des betreffenden Speicherplatzes (01 bis 128) und drücken dann die [RECALL]-Taste, um die Einstellungen des gespeicherten Programms wieder aufzurufen (→ Seite 36).

17 Netzschalter (POWER)

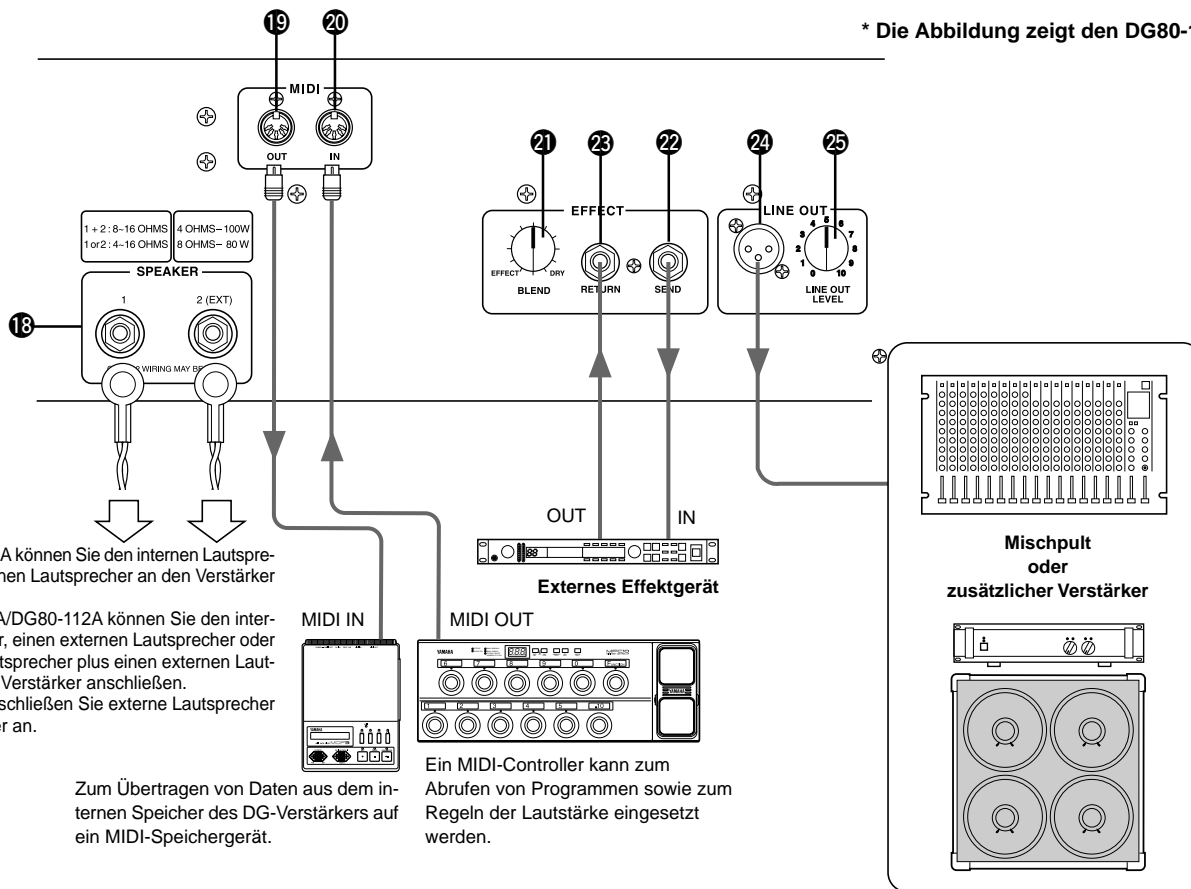
Zum Ein- und Ausschalten des Verstärkers.

* Zum Schutz der Lautsprecher vor möglichen Schäden stellen Sie den OUTPUT-Regler 3 auf "0", bevor Sie das Gerät ein- oder ausschalten.

■ Rückwand

Bevor Sie irgendwelche Anschlüsse machen, sollten Sie sich stets vergewissern, daß der DG-Gitarrenverstärker sowie alle externen Geräte AUSgeschaltet sind.

* Die Abbildung zeigt den DG80-112A.



18 Lautsprecherbuchse (SPEAKER)

DG100-212A: Der interne Lautsprecher ist über diese Buchse mit dem Verstärker verbunden.

DG80-210A/DG80-112A: Ausgestattet mit 2 Lautsprecherbuchsen. Der interne Lautsprecher ist mit der Buchse SPEAKER 1 verbunden.

DG130HA: Ausgestattet mit 2 Lautsprecherbuchsen.

Wie Sie Lautsprecher an den Verstärker anschließen, erfahren Sie im Abschnitt "Lautsprecheranschluß" auf Seite 34.

19 MIDI-Ausgangsbuchse (MIDI OUT)

Diese Buchse können Sie mit der MIDI IN-Buchse eines Geräts verbinden, das sich zum Speichern von MIDI-Daten eignet. Die Daten im internen Speicher des DG-Verstärkers können auf ein MIDI-Speichergerät übertragen werden. (→ Seite 38, MIDI Bulk-Übertragung).

Die Buchse kann auch verwendet werden, um bei aktivierter MIDI-Mischfunktion die über MIDI IN 20 empfangenen Daten an ein externes Gerät weiterzuleiten (→ Seite 38).

20 MIDI-Eingangsbuchse (MIDI IN)

Wenn Sie diese Buchse mit der MIDI OUT-Buchse eines MIDI Foot Controllers verbinden, können Sie diesen zum "Fernbedienen" des DG-Verstärkers verwenden. Fernbedienbare Funktionen sind Speicherplatzauswahl, Lautstärke und Effekte. (→ Seite 37).

Über diese Buchse haben Sie außerdem die Möglichkeit, auf einem externen MIDI-Speichergerät abgelegte Daten wieder in den internen Speicher des DG-Verstärkers zu laden (→ Seite 38, MIDI Bulk-Empfang).

21 Effekt-Mischregler (EFFECT BLEND)

22 Effektschleifen-Ausgangsbuchse (EFFECT SEND)

23 Effektschleifen-Eingangsbuchse (EFFEKT RETURN)

Zwischen den SEN/RETURN-Buchsen können Sie ein externes Effektgerät einschleifen. Dies gibt Ihnen weitere Möglichkeiten zur Bearbeitung des vom Verstärker erzeugten Tonsignals. Mit dem BLEND-Regler gleichen Sie die Mischanteile zwischen dem vom externen Effektgerät zurückgeführten Signal (EFFECT) und dem "trockenen" Signal (DRY) des DG-Verstärkers ab. Am EFFECT-Endanschlag wird nur das Tonsignal des externen Effektgeräts wiedergegeben. Wenn der Regler am DRY-Endanschlag steht, ist nur der intern im DG100-212 erzeugte Ton ohne externen Effekt zu hören.

* Beim Beschalten der RETURN-Buchse wird die interne Tonsignalleitung unterbrochen. Das vom externen Effektgerät kommende Signal wird über diese Buchse wieder in den internen Tonsignalkreis eingeschleift und gelangt dann zur Endstufe, um dort verstärkt und über den Lautsprecher wiedergegeben zu werden. Wenn die RETURN-Buchse nicht beschaltet ist, hat der BLEND-Regler keine Funktion. Die SEND-Buchse kann alternativ auch als Vorverstärkerausgang verwendet werden, während die RETURN-Buchse als Haupteingangsbuchse dienen kann.

24 Line-Ausgangsbuchse (LINE OUT)

25 Line-Pegelregler (LINE OUT LEVEL)

Das an der Lautsprecherbuchse 18 ausgegebene Signal liegt gleichzeitig mit Line-Pegel (+4 dB / 600 Ω) an der LINE OUT-Buchse an. Der Verstärker bietet auch einen internen Lautsprecher-Simulator (je nach Bedarf ein- und ausschaltbar; siehe → Seite 39), und der Ausgangspegel kann mit dem LINE OUT LEVEL-Regler angepaßt werden. Das Line-Signal kann auf diese Weise alternativ (mit Lautsprecher-Simulation) an ein Mischpult oder (ohne Lautsprecher-Simulation) an einen externen Verstärker ausgegeben werden.

Lautsprecheranschluß

Bevor Sie (einen) Lautsprecher an die Lautsprecherbuchse(n) anschließen, überprüfen Sie dessen (deren) Belastbarkeit und Impedanz und vergewissern sich, daß diese Kennwerte im Bereich der für das Gerät empfohlenen Werte liegen.

■ Beim DG100-212A

Der interne Lautsprecher (4 Ω) ist mit der Lautsprecherbuchse verbunden. Fall erforderlich, können Sie den internen Lautsprecher abklemmen und stattdessen einen externen Lautsprecher an diese Buchse anschließen.

Bei Gebrauch eines externen Lautsprechers achten Sie darauf, daß dieser die folgenden Anforderungen erfüllt.

- Belastbarkeit mindestens 100 W, Impedanz 4 bis 8 Ω.

■ Beim DG80-210A/DG80-112A

Der interne Lautsprecher (8 Ω) ist mit der Buchse SPEAKER 1 verbunden. An die Buchse SPEAKER 2 (EXT) können Sie einen zusätzlichen externen Lautsprecher anschließen. Bei Bedarf können Sie auch den internen Lautsprecher abklemmen, um zwei externe Lautsprecher direkt an den Verstärker anzuschließen. Die beiden Lautsprecherbuchsen sind parallelgeschaltet. Wenn Sie (einen) externe(n) Lautsprecher verwenden, achten Sie darauf, daß diese (dieser) die folgenden Anforderungen erfüllt:

● Bei Beschaltung einer Lautsprecherbuchse

- Belastbarkeit mindestens 100 W, Impedanz 4 bis 16 Ω.
- Die Gesamtimpedanz der Lautsprecher in einem Kreis darf nicht weniger als 4 Ω betragen.

● Bei Beschaltung beider Lautsprecherbuchsen

- Die Belastbarkeit des an der jeweiligen Buchse angeschlossenen Lautsprechers muß mindestens 100 W betragen, die Impedanz 8 bis 16 Ω.
- Die Gesamtimpedanz der Lautsprecher in einem Kreis darf nicht weniger als 4 Ω betragen.

■ Beim DG130HA

Der Verstärker ist mit zwei Lautsprecherbuchsen ausgestattet. Die beiden Buchsen sind parallelgeschaltet. Achten Sie darauf, daß die folgenden Anforderungen erfüllt werden.

● Bei Beschaltung einer Lautsprecherbuchse

- Belastbarkeit mindestens 130 W, Impedanz 4 bis 16 Ω.
- Die Gesamtimpedanz der Lautsprecher in einem Kreis darf nicht weniger als 4 Ω betragen.

● Bei Beschaltung beider Lautsprecherbuchsen

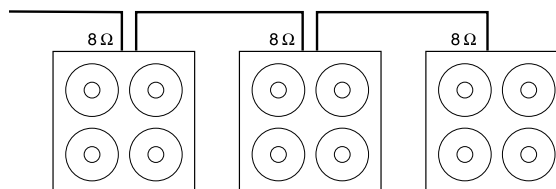
- Die Belastbarkeit des an der jeweiligen Buchse angeschlossenen Lautsprechers muß mindestens 100 W betragen, die Impedanz 8 bis 16 Ω.
- Die Gesamtimpedanz der Lautsprecher in einem Kreis darf nicht weniger als 4 Ω betragen.

Gesamtimpedanz

Wenn mehr als ein Lautsprecher angeschlossen wird, müssen Sie auf die Gesamtimpedanz der Lautsprecher achten. Lautsprecher haben gewöhnlich eine Impedanz von 4, 8 oder 16 Ω. Wenn mehrere Lautsprecher zusammengeschaltet werden, hängt ihre Gesamtimpedanz von der Schaltungsweise ab.

● Serienschaltung

Die Gesamtimpedanz errechnet sich folgendermaßen: 1. Lautsprecher + 2. Lautsprecher + 3. Lautsprecher + ...
Wenn wie im abgebildeten Beispiel drei Lautsprecher in Serie geschaltet werden, ergibt sich eine Gesamtimpedanz von 24 Ω.



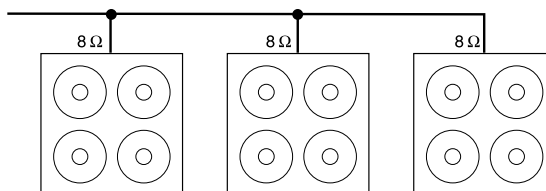
● Parallelschaltung

Die Gesamtimpedanz errechnet sich folgendermaßen=

$$\frac{1}{\frac{1}{8 \Omega} + \frac{1}{8 \Omega} + \frac{1}{8 \Omega} + \dots}$$

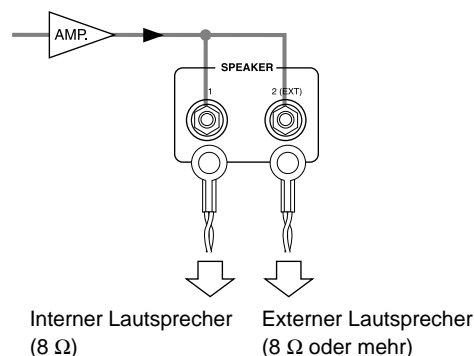
1. Laut sprecher 2. Laut sprecher 3. Laut sprecher

Wenn wie im abgebildeten Beispiel drei Lautsprecher parallel geschaltet werden, ergibt sich eine Gesamtimpedanz von etwa 2,7 Ω.



Beim DG80-210A/DG80-112A

Die beiden Lautsprecherbuchsen sind intern parallelgeschaltet, so daß beispielsweise ein externer Lautsprecher mit 4 Ω zusammen mit dem internen Lautsprecher (8 Ω) eine Gesamtimpedanz von 2 Ω ergeben würde. Damit die Impedanz auf dem Mindestwert von 4 Ω bleibt, muß ein externer Lautsprecher mit mindestens 8 Ω verwendet werden.



Gebrauch Ihres Verstärkers der DG-Serie

Zum Schutz der Lautsprecher vor möglichen Schäden stellen Sie den OUTPUT-Regler auf "0", bevor Sie das Gerät ein- oder ausschalten.

■ Zunächst einen provisorischen Klang erzeugen

1. Schließen Sie die Gitarre bei ausgeschaltetem DG-Verstärker an eine INPUT-Buchse an der Frontplatte an. Probieren Sie zunächst die LOW-Buchse aus.
2. Stellen Sie den OUTPUT-Regler auf "0", und schalten Sie das Gerät dann ein.
3. Stellen Sie nun den TRIM-Pegel des DG-Verstärker anfänglich auf "5", und schlagen Sie einige Saiten auf der Gitarre an. Heben Sie dabei allmählich den OUTPUT-Pegel.
4. Das System erzeugt nun provisorisch Ton, mit dem Sie den TRIM-Pegel einstellen können, wie im folgenden Abschnitt beschrieben.

■ Den TRIM-Pegel einstellen

Der TRIM-Pegel dient dazu, den Ausgangspegel der Gitarre an den Pegel der INPUT-Buchse des DG-Verstärkers anzupassen. Bei optimaler TRIM-Einstellung werden feinste Nuancierungen im Zupfen sowie auch die kraftvolle Attack-Einschwingung beim "Schlagen" und Anreißen der Saiten wiedergegeben. Bei einem ungeeigneten Trimpiegel treten Störgeräusche, Rückkopplungen und eine Beschneidung des Klangs auf.

- * Der Gitarren-Ausgangspegel ist von Instrument zu Instrument unterschiedlich. Nach Anschließen einer anderen Gitarre müssen Sie den Trimpiegel an das neue Instrument anpassen.
- * Die Eingangspegel der Buchsen HIGH und LOW sind unterschiedlich. Auch wenn Sie dieselbe Gitarre verwenden, müssen Sie beim Wechsel zur anderen INPUT-Buchse den TRIM-Pegel neu einstellen.
- * Auch wenn mit Distortion- oder Verzerrungseffekt gespielt werden soll, muß der TRIM-Pegel ordnungsgemäß eingestellt werden, wonach der Verzerrungseffekt mit dem GAIN-Regler eingerichtet wird.

1. Stellen Sie die Gitarrenlautstärke auf Höchstpegel, und schlagen Sie die Saiten stark an. Beginnen Sie nun die Justage des TRIM-Pegels. Der Pegel ist optimal, wenn die grüne Anzeige-LED leuchtet.
2. Drehen Sie den TRIM-Regler weiter, und justieren Sie ihn so ein, daß die rote Anzeige-LED gerade noch nicht leuchtet. Stellen Sie den TRIM-Pegel auf "10", wenn die rote Anzeige-LED nicht leuchten sollte.

* Wenn die rote Anzeige-LED auch am Endanschlag nicht leuchtet, drehen Sie den TRIM-Regler zurück, schließen die Gitarre an die HIGH-Buchse an und führen den Einstellvorgang erneut aus.

■ Klangeinstellungen

Wählen Sie eines der 8 im DG-Verstärker gespeicherten Verstärkertyp-Presets, um den Klang dann mit dem GAIN- und MASTER-Regler sowie den Klangreglern wunschgemäß einzustellen.

1. Drücken Sie die AMP SELECT-Taste mit dem gewünschten Verstärkertyp-Preset. Die LED der Taste leuchtet zur Bestätigung.
2. Stellen Sie den Gitarrensound mit dem GAIN- und MASTER-Regler sowie den 5 Klangreglern ein.

TIP OUTPUT- und MASTER-Regler

Beide Regler wirken auf die Tonlautstärke. Der MASTER-Regler verändert die Gesamtlautstärke in der Vorverstärkerstufe. Die Einstellung dieses Reglers wird gespeichert. Der OUTPUT-Regler verändert die Lautstärke in der Endstufe. Diese Einstellung wird nicht gespeichert. Lautstärkevariationen für individuelle Klangprogramme sollten daher mit dem MASTER-Regler eingestellt werden. Die Lautsprecher-Lautstärke sollte mit dem OUTPUT-Regler eingestellt werden.

- * Beim Drücken einer AMP SELECT-Taste werden die Einstellungen aller Regler (außer TRIM, OUTPUT und REVERB) rückgesetzt (GAIN und MASTER = 7, Klangregler = 5. Zum Speichern einer Einstellung als Programm siehe "Speichern von Klangeinstellungen" auf Seite 36).

■ REVERB-Einstellungen

1. Drücken Sie die REVERB-Taste, um einen der Halleffekte zu wählen. Bei wiederholtem Drücken der REVERB-Taste wird nach folgendem Schema weitergeschaltet: SPRING → HALL → PLATE. Die Anzeige des jeweils gewählten Effekts leuchtet zur Bestätigung.
 2. Stellen Sie die Halltiefe mit dem REVERB-Regler ein.
- * REVERB-Einstellungen (gewählter Halleffekt und Reglereinstellung) bleiben auch dann wirksam, wenn Sie über die AMP SELECT-Tasten einen anderen Verstärkertyp auswählen. Beim Abrufen einer gespeicherten Klangeinstellung werden die REVERB-Einstellungen des betreffenden Programms vorgegeben.

■ Effekteinstellungen (TREMLO, CHORUS, TAPE ECHO)

1. Drücken Sie die [MODE]-Taste, so daß die Anzeige-LED "EFFECT" leuchtet. Beim Aktivieren des EFFECT-Einstellmodus werden die einzelnen Regler, GAIN bis REVERB, auf die gespeicherten Positionen eingestellt.
2. Stellen Sie die Effekte mit den Reglern GAIN bis REVERB wunschgemäß in.

● TREMLO-Effekt

- GAIN (SPEED: Tremolo-Geschwindigkeit)
Bestimmt die Geschwindigkeit des Tremolo-Effekts (d.h. die Frequenz der Lautstärke-Zunahme/Abnahme-Wiederholungen). Beim Drehen nach rechts nimmt die Geschwindigkeit zu.
- MASTER (DEPTH: Tremolo-Tiefe)
Dient zur Einstellung der Tremolo-Effektiefe (d.h. der oberen und unteren Grenze der Lautstärkevariation). Drehen nach rechts verstärkt den Effekt.

● CHORUS-Effekt

- TREBLE (SPEED: Chorus-Geschwindigkeit)
Bestimmt die Geschwindigkeit des Tremolo-Effekts (d.h. die Frequenz der Tonhöhen-Zunahme/Abnahme-Wiederholungen). Beim Drehen nach rechts nimmt die Geschwindigkeit zu.
- HIGH MID (DEPTH: Chorus-Tiefe)
Dient zur Einstellung der Chorus-Effektiefe (d.h. der oberen und unteren Grenze der Tonhöhenvariation). Drehen nach rechts verstärkt den Effekt.
- LOW MID (LEVEL: Chorus-Pegel)
Bestimmt den Mischanteil des Chorus-Effekts am Gesamtsignal.

● TAPE ECHO-Effekt

- BASS (TIME: Echozeit)
Bestimmt die zeitliche Verzögerung zwischen dem Saiten- und dem Echoklang (bzw. das Intervall zwischen den Echos). Beim Drehen nach rechts nimmt der Zeitwert zu.
- PRESENCE (FEEDBACK: Effektdauer)
Dient zur Einstellung der gewünschten Effektdauer (bzw. Echo-wiederholungen). Beim Drehen des Reglers nach rechts nimmt die Effektdauer zu. Passen Sie jedoch auf: Bei zu hoher Einstellung können unkontrollierbare Rückkopplungen auftreten.
- REVERB (LEVEL: Echopegel)
Zur Einstellung der Effektlautstärke.

3. Drücken Sie nach beendeter Einstellung die [MODE]- oder [REVERB]-Taste, so daß die Anzeige-LED "AMP" leuchtet. Die Regler GAIN bis REVERB fahren nun wieder die Positionen an, auf die Sie vor Aktivieren des EFFECT-Einstellmodus eingestellt waren.

* Die Effekteinstellungen bleiben auch dann wirksam, wenn Sie über die AMP SELECT-Tasten einen anderen Verstärkertyp auswählen. Beim Abrufen der Nummer eines anderen Speicherplatzes (siehe Seite 36) werden die Effekteinstellungen des dort gespeicherten Programms vorgegeben.

Mit den auf dieser Seite beschriebenen Funktionen können Sie den Klang wunschgemäß einstellen. Diese Klangeinstellungen können zusammen mit den Hall- und Effekteinstellungen abrufbereit als Programm in den internen Speicher des DG-Verstärkers eingegeben werden, wie auf der nächsten Seite beschrieben.

Abrufen und Speichern von Klangeinstellungen

Bei der Auslieferung des Verstärkers sind in Speicherplätzen 1 bis 80 von Yamaha speziell für DG-Verstärker zusammengestellte Presets vorprogrammiert. (Siehe "Preset-Liste" auf Seite 83.)

Die gespeicherten Daten definieren den Verstärkertyp und zugehörige Einstellungen (GAIN, MASTER, Klangregler, Reverb, Tremolo, Chorus und Tape Echo), und Sie können jedes Preset beliebig abrufen und einsetzen. Die Regler sind motorgetrieben und fahren beim Abrufen eines Presets automatisch die entsprechenden Positionen an. Sie können darüber hinaus eigene Einstellungen in beliebigen der Speicherplätze 1 bis 128 festhalten. Gelungene Sounds lassen sich so jederzeit abspeichern.

■ Abrufen gespeicherter Klangeinstellungen

Zum Abrufen eines Klangprogramms wählen Sie einfach die entsprechende Speicherplatznummer.

Beim Abrufen eines Programms ändern sich die aktuellen Klangeinstellungen. Sollen diese jedoch erhalten bleiben, speichern Sie sie als Klangprogramm ab, wie vorangehend beschrieben.

1. Drücken Sie die [MODE]-Taste, so daß die Anzeige-LED "AMP" oder "EFFECT" leuchtet.
2. Wählen Sie mit den [↑] / [↓]-Tasten die Speicherplatznummer aus, deren Klangprogramm abgerufen werden soll. Die Speicherplatznummer wird (blinkend) auf dem Display angezeigt.
3. Drücken Sie die [RECALL]-Taste. Die Speicherplatznummer wird nun kontinuierlich angezeigt. Die Regler fahren die Positionen der gespeicherten Klangeinstellungen an, und die Anzeige-LED des als Ausgangsbasis verwendeten Verstärkertyps leuchtet.

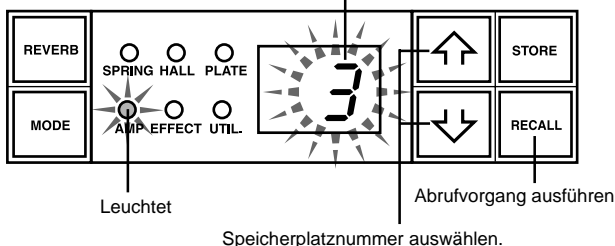
* Die gespeicherten Einstellungen werden erst beim Betätigen der [RECALL]-Taste abgerufen.

* Die Einstellung des TRIM- und des OUTPUT-Reglers ändert sich beim Abrufen eines Programms nicht.

* Die motorgetriebene Reglervorstellung kann 1 bis 10 Sekunden dauern – die interne Einstellung (d.h. der Klang) ändert sich jedoch sofort.

* "E 1" wird auf dem Display angezeigt, wenn ein Regler sich nicht auf die vorgegebene Position einstellt oder das Gerät den Abrufbefehl nicht innerhalb von 20 Sekunden ausführt. Wird das Gerät in diesem Fehlerzustand weiterhin betrieben, besteht die Gefahr eines Brandes oder elektrischen Schlags. Lassen Sie das in dem Geschäft, in dem es erworben wurde, oder von einem Yamaha-Service in Ihrer Nähe überprüfen.

Die Speicherplatznummer des abgerufenen Programms wechselt von Blinken zu Dauerleuchten.



Programme können auch mit einem MIDI Foot Controller oder einem anderen externen MIDI-Gerät angewählt und abgerufen werden. Einzelheiten hierzu finden Sie auf Seite 37.

■ Rücksetzen des Speichers

Zum Rücksetzen des Speichers schalten Sie, während Sie die Tasten [LEAD 1] und [RECALL] gedrückt halten, das Gerät mit dem Netzschalter ein. Alle von Ihnen gespeicherten Einstellungen werden gelöscht, und der Speicher wird auf seine werkseitige Standardeinstellung rückgesetzt.

Beim Rücksetzen des Speichers werden die Daten in Speicherplätzen 1 bis 80 durch die Einstellungen in der Preset-Liste (→Seite 83) ersetzt, während die Speicherplätze 81 bis 128 geleert werden. Dies bedeutet, daß alle von Ihnen gespeicherten Daten verloren gehen. Wir raten Ihnen daher, vor jeder Rücksetzung alle wichtigen Daten auf ein externes MIDI-Gerät zu übertragen oder schriftlich festzuhalten.

■ Speichern von Klangeinstellungen

1. Stellen Sie, wie auf Seite 35 beschrieben, den Klang eines der acht Verstärkertyp-Presets mit den Reglern an der Frontplatte wunschgemäß ein.

* Im Utility-Modus gemachte Einstellungen können nicht als Teil individueller Programme gespeichert werden. Diese Einstellungen bleiben beim Ausschalten des Geräts als gemeinsame Einstellungen im Speicher erhalten und werden beim nächsten Einschalten wieder vorgegeben.

2. Drücken Sie die [MODE]-Taste, so daß die Anzeige-LED "AMP" oder "EFFECT" leuchtet.

3. Wählen Sie mit den [↑] / [↓]-Tasten die Speicherplatznummer aus, an der die Einstellungen festgehalten werden sollen. Die Speicherplatznummer wird blinkend auf dem Display angezeigt.

* Zum schnellen Weiterschalten bis zur gewünschten Speicherplatznummer halten Sie die [↑]- bzw. [↓]-Taste gedrückt.

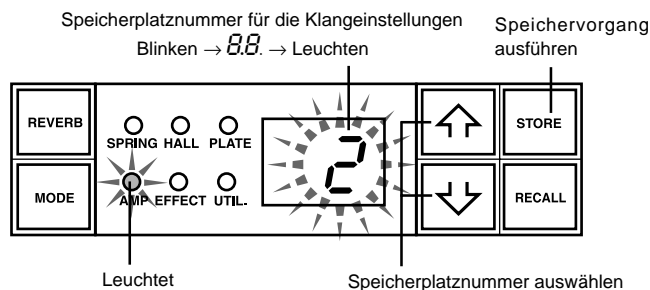
* Die Hunderterstelle der Speicherplätze 100 bis 128 wird durch einen blinkenden Punkt zwischen den beiden anderen Stellen identifiziert.

Beispiel: 128 wird als 2.8 angezeigt.

4. Halten Sie die [STORE]-Taste etwa eine Sekunde lang gedrückt, bis "8.8" auf dem Display erscheint.

Beim Loslassen der Taste bestätigt Blinken der Speicherplatznummer, daß das Klangeinstellungsprogramm gespeichert wurde.

* TRIM- und OUTPUT-Einstellungen werden nicht gespeichert. Stellen Sie Begleitungs- und Solo-Lautstärkepegel daher mit dem MASTER-Regler ein.



Die Daten der Speicherplätze 1 bis 128 können auf ein externes MIDI-Datenspeichergerät übertragen werden. Einzelheiten finden Sie auf Seite 38.

TIP Anmerkungen zum Speichern von Klangprogrammen

Zum übersichtlichen Abspeichern von Programmen sollten Sie die Speicherplätze 1 bis 128 in entsprechende Gruppen einteilen. Das Abrufen gewünschter Programme ist dann einfacher. Beispiele:

- Einteilung in Speicherplatzgruppen nach bestimmten Verstärkertypen (LEAD1, DRIVE 1 usw.).
- Gruppieren von Programmen nach Sound-Typ (Distortion, ohne Effekt usw.).
- Gruppieren der Programme in der gewünschten Abruf-Reihenfolge für Live-Auftritte.
- Gruppieren der Programme nach Gitarrentypen (mit/ohne Entbrummspule usw.).

Es empfiehlt sich auch, eine separate Tabelle anzulegen, auf der die Programme (Sounds) der einzelnen Speicherplätze eingetragen ist.

Nützliche Funktionen

Der Abruf von Speicherplatznummern, die Regelung der Effekte Reverb, Tremolo, Chorus und Tape Echo, und die Regelung der Lautstärke des DG-Verstärkers kann MIDI-gesteuert erfolgen.

Es gibt außerdem auch eine Lautsprecher-Simulationsfunktion, die bei Bedarf auf das Line-Ausgangssignal gelegt werden kann.

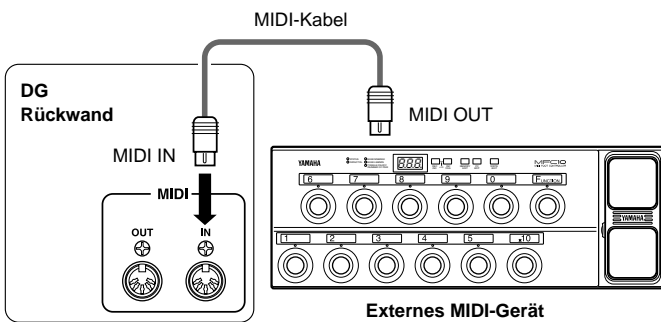
Was ist MIDI? MIDI ist die Abkürzung für "Musical Instruments Digital Interface". MIDI ist ein weltweit etablierter Schnittstellenstandard, der es MIDI-kompatiblen Instrumenten, Geräten und Computern ermöglicht, Musikinformation in Form von Daten modell- und herstellerunabhängig auszutauschen und sich gegenseitig zu steuern.

MIDI-gesteuerter Programmabruf

Bei Bedarf können Sie im DG-Verstärker gespeicherte Klangeinstellungen mit dem Yamaha MIDI Foot Controller MFC10 oder einem anderen MIDI-Gerät über Programmwechsel-Befehle (Program Change) abrufen.

1. Verbinden Sie die MIDI IN-Buchse des DG-Verstärkers über ein MIDI-Kabel mit der MIDI OUT-Buchse des externen MIDI-Geräts.

* Verwenden Sie ein hochwertiges MIDI-Kabel, dessen Länge 15 m nicht überschreiten sollte. Größere Kabellängen können Betriebsstörungen zur Folge haben.



2. Stellen Sie den MIDI-Empfangskanal des DG-Verstärkers und den MIDI-Sendekanal des externen Geräts auf dieselbe Nummer ein. (Die werkseitige Vorgabeeinstellung ist Kanal 1.)

→ Wie Sie die Kanalnummer einstellen, erfahren Sie bei "Einstellen des MIDI-Empfangskanals" auf Seite 38.

3. Richten Sie eine Programmwechselliste*1 ein. (Werkseitige Vorgabeeinstellung: Programmwechselnummer = Speicherplatznummer)

→ Wie Sie eine Programmwechselliste einrichten, erfahren Sie bei "Einrichten einer MIDI-Programmwechselliste" auf Seite 38.

*1 Beispiel: "Bei Empfang der Programmwechselnummer 1 soll am DG-Verstärker das an Speicherplatz 5 abgelegte Programm abgerufen werden." Um solche Verknüpfungen herzustellen, ordnen Sie den Programmwechselnummern neue Speicherplatznummern zu.

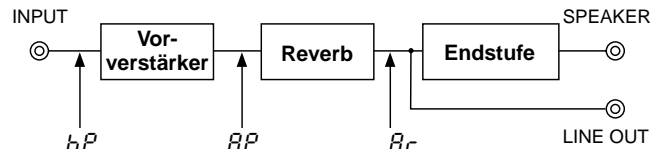
4. Wenn der Programmwechselbefehl eines externen Geräts empfangen wird, werden die Daten (Klangeinstellungen) des Speicherplatzes abgerufen, der in der Programmwechselliste entsprechend zugeordnet ist.

* Wie Sie mit dem externen Gerät Programmwechselnachrichten senden, entnehmen Sie bitte dessen Bedienungsanleitung.

MIDI-gesteuerte Lautstärkeregelung

Sie können die Gesamtlautstärke des DG-Verstärkers von einem externen MIDI-Gerät aus mit Steuerbefehlen (Control Change) für Controller Nr. 7 (Main Volume = Hauptlautstärke) regeln, die von der MIDI OUT-Buchse des externen Geräts an die MIDI IN-Buchse des DG-Verstärkers gesendet werden. Wenn Sie einen Yamaha Foot Controller MFC10 oder ein anderes MIDI-Gerät mit Schwellpedal anschließen, können Sie die Lautstärke beim Spielen mit dem Pedal regeln. Sie können darüber hinaus wählen, an welchem Punkt der Tonsignalleitung der Lautstärkepegel geregelt werden soll:

- "bP": Before Pre Amp. Zum Regeln der Lautstärke vor der Vorverstärkerstufe.
- "rP": After Pre Amp. Zum Regeln der Lautstärke nach der Vorverstärkerstufe.
- "rR": After Reverb. Zum Regeln der Lautstärke nach der Reverb-Stufe.



1. Schließen Sie das externe MIDI-Gerät an, und stellen Sie den MIDI-Kanal ein, wie im vorangehenden Abschnitt, "MIDI-gesteuerter Programmabruf", beschrieben.

2. Wählen Sie nun den Punkt, an dem die Lautstärkeregelung erfolgen soll.

→ Die Einstellung ist bei "Einstellen des Regelpunkts für pedalgesteuerte Lautstärkeregelung" auf Seite 39 beschrieben.

3. Sie können nun vom externen Gerät aus MIDI-Steuerbefehle für Controller Nr. 7 senden, um die Lautstärke am DG-Verstärker zu regeln.

* Der DG-Verstärker spricht nur auf MIDI-Steuerbefehle der Controller 7 und 91 bis 94 an.

* Wie Sie mit dem externen Gerät Steuernachrichten (Control Change) senden, entnehmen Sie bitte dessen Bedienungsanleitung.

* Die aktuelle Hauptlautstärkeeinstellung bleibt auch beim Abrufen eines anderen Programms (Speicherplatznummer) erhalten.

* Beim Einschalten wird die maximale Hauptlautstärke vorgegeben.

* Wenn das externe Gerät nach Ändern der Hauptlautstärke abgetrennt wird, ist der Lautstärkepegel unter Umständen zu niedrig. In diesem Fall stellen Sie entweder per MIDI-Befehl wieder die Höchstlautstärke ein oder schalten den DG100-212 einmal aus und dann wieder ein.

MIDI-gesteuerte Einstellung der Effekte REVERB, TREMOLO, CHORUS und TAPE ECHO

Sie können die Parameter Reverb-Pegel (Controller Nr. 91), Tremolo-Tiefe (Controller Nr. 92), Chorus-Pegel (Controller Nr. 93) und Tape Echo-Pegel (Controller Nr. 94) einstellen, indem Sie entsprechende MIDI-Steuerbefehle (Control Change) von der MIDI OUT-Buchse eines externen MIDI-Geräts an die MIDI IN-Buchse des DG-Gitarrenverstärkers senden.

1. Schließen Sie das externe Gerät an, wie in Schritten 1 und 2 des Abschnitts "MIDI-gesteuerter Programmabruf" auf dieser Seite beschrieben, und stellen Sie dann den MIDI-Empfangskanal ein.

2. Zum Steuern der obengenannten Effektparameter senden Sie vom externen MIDI-Gerät die Parameter-Controllernummer und die Control Change-Daten.

* Wie Sie mit dem externen Gerät Steuernachrichten (Control Change) senden, entnehmen Sie dessen Bedienungsanleitung

Lautsprechersimulator

Der Lautsprechersimulator des DG-Verstärkers kann das Line-Signal mit einer realistischen Simulation des natürlichen Klangs eines Lautsprechers versehen. Das Simulationssignal kann beispielsweise elegant eingesetzt werden, wenn die LINE OUT-Buchse mit einem Mischpult oder einem Aufnahmegerät verbunden wird.

→ Die Einstellung dieser Funktion ist im Abschnitt "Ein- und Ausschalten des Lautsprechersimulators" in dieser Anleitung beschrieben.

Utility-Modus

Der Utility-Modus ist für MIDI-Konfiguration sowie zum Einstellen des Lautsprecher-Simulators und des Regelpunkts für pedalgesteuerte Lautstärkeregelung vorgesehen. Zum Aufrufen des Utility-Modus halten Sie die [MODE]-Taste mindestens eine Sekunde lang gedrückt, bis die Anzeige-LED "UTIL." leuchtet. Die in diesem Modus gemachten Einstellungen bleiben auch beim Ausschalten des Geräts gespeichert. Zum Verlassen des Utility-Modus drücken Sie die [MODE]-Taste erneut, so daß die Anzeige-LED "AMP" (Verstärker-Modus) leuchtet.

* Im Utility-Modus können MIDI-Nachrichten nicht empfangen werden. Wie die einzelnen MIDI-Operationen ausgeführt werden, erfahren Sie in den Abschnitten "MIDI-gesteuerter Programmabruf", "MIDI-gesteuerte Lautstärkeregelung", "MIDI-gesteuerte Einstellung der Effekte REVERB, TREMOLO, CHORUS und TAPE ECHO" und "MIDI Bulk-Empfang" in dieser Anleitung.

■ Einrichten einer MIDI-Programmwechselliste

Mit dem im folgenden beschriebenen Vorgang können Sie den Speicherplätzen des DG-Verstärkers andere Programmwechselnummern für den MIDI-gesteuerten Programmabruf mit einem externen MIDI-Gerät zuordnen.

* Werkseitige Vorgabeeinstellung: Programmwechselnummer = Speicherplatznummer

1. Halten Sie die [MODE]-Taste mindestens eine Sekunde lang gedrückt. Die Anzeige-LED "UTIL." (Utility-Modus) leuchtet nun zur Bestätigung.
2. Drücken Sie die [LEAD 1]-Taste.
3. Wählen Sie mit den [↑] / [↓]-Tasten die Programmwechselnummer (1 bis 28), die das externe Gerät senden wird. Die Nummer wird auf dem Display angezeigt.
4. Drücken Sie die [LEAD 2]-Taste.
5. Wählen Sie mit den [↑] / [↓]-Tasten die Speicherplatznummer (1 bis 28), deren Klangprogramm bei Empfang der oben gewählten Programmwechselnummer im DG-Verstärker abgerufen werden soll.
6. Führen Sie Schritte 2 bis 5 wiederholt aus, bis die Zuordnungstabelle komplett ist.

■ Einstellen des MIDI-Empfangskanals

Der folgende Vorgang beschreibt die Einstellung des MIDI-Kanals, auf dem der DG-Verstärker MIDI-Daten empfängt.

* Zum Übertragen von Daten zwischen zwei MIDI-Geräten müssen der Sendekanal des einen Geräts und der Empfangskanal des anderen auf dieselbe Nummer eingestellt sein. (Die werkseitige Vorgabeeinstellung ist Kanal Nr. 1.)

1. Halten Sie die [MODE]-Taste mindestens eine Sekunde lang gedrückt. Die Anzeige-LED "UTIL." (Utility-Modus) leuchtet nun zur Bestätigung.
2. Drücken Sie die [DRIVE 1]-Taste. Die Nummer des gegenwärtig eingestellten MIDI-Empfangskanals wird auf dem Display angezeigt.
3. Stellen Sie den MIDI-Empfangskanal (1 bis 16, R 11 = alle, OF = kein Empfang) mit den [↑] / [↓]-Tasten ein.

* Die Einstellung "R 11" entspricht dem Omni-Modus.

■ Einstellen der MIDI-Mischfunktion (Merge)

Wenn das MIDI-Signal, das der DG-Verstärker über seine MIDI IN-Buchse empfängt, über die MIDI OUT-Buchse an andere MIDI-Geräte weitergeleitet werden soll, stellen Sie die MIDI-Mischfunktion auf "ON" (EIN). Wenn keine Weiterleitung erfolgen soll, wählen Sie "OFF" (AUS).

1. Halten Sie die [MODE]-Taste mindestens eine Sekunde lang gedrückt. Die Anzeige-LED "UTIL." (Utility-Modus) leuchtet nun zur Bestätigung.
2. Drücken Sie die [DRIVE 2]-Taste. Die gegenwärtige Einstellung der MIDI-Mischfunktion wird auf dem Display angezeigt.
3. Stellen Sie mit den [↑] / [↓]-Tasten "ON" (EIN) oder "OFF" (AUS) ein.

■ MIDI Bulk-Übertragung

Sie können die Daten im internen Speicher des DG-Verstärkers zur Sicherstellung auf ein externes MIDI-Datenspeichergerät übertragen (z. B. Yamaha MDF3 usw.).

1. Verbinden Sie die MIDI OUT-Buchse des DG-Verstärkers über ein MIDI-Kabel mit der MIDI IN-Buchse des externen MIDI-Datenspeichergeräts.
2. Halten Sie die [MODE]-Taste mindestens eine Sekunde lang gedrückt. Die Anzeige-LED "UTIL." (Utility-Modus) leuchtet nun zur Bestätigung.
3. Zum Übertragen aller Daten in einem Durchgang (128 Speicherplätze plus Utility-Einstellungen):

→ Drücken Sie die [CRUNCH 1]-Taste. "R 11" wird nun auf dem Display angezeigt.

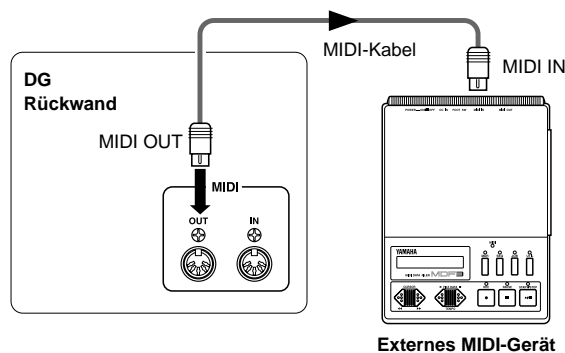
Zum Übertragen von Speicherplatzdaten:

→ Drücken Sie die [CRUNCH 2]-Taste. Wählen Sie danach mit den [↑] / [↓]-Tasten die Nummer des Speicherplatzes dessen Daten übertragen werden sollen (1 bis 128, R 11).

* Wenn Sie "R 11" wählen, werden die Daten aller 128 Speicherplätze übertragen.

4. Drücken Sie die [STORE]-Taste, um die Bulk-Übertragung auszuführen. Zum Abbrechen des Vorgangs drücken Sie die [MODE]-Taste.

* Als Gerätenummer wird die Nummer des MIDI-Empfangskanals vorgegeben. Wenn als MIDI-Empfangskanaleinstellung "R 11" (Omni) gewählt wurde, ist die Gerätenummer "1".



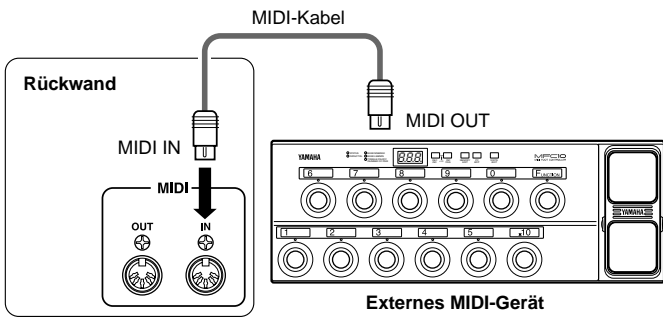
■ MIDI Bulk-Empfang

Verbinden Sie die MIDI IN-Buchse des DG-Verstärkers mit der MIDI OUT-Buchse des externen MIDI-Datenspeichergeräts. Danach können Sie die im externen Gerät sichergestellten Daten in den DG-Verstärker zurückladen.

* Das Laden von Daten per MIDI Bulk Dump ist nur im AMP- oder EFFECT-Einstellmodus möglich. Im UTIL.-Modus können keine Daten empfangen werden.

* Die Gerätenummer ist identisch mit der Nummer des MIDI-Empfangskanals. Wenn der MIDI-Empfang auf OMNI ("R 11") eingestellt ist, wird MIDI-Kanal 1 vorgegeben. Bei AUS ("OFF") empfängt der DG-Verstärker keine Daten.

* Während des MIDI Bulk-Empfangs wird "L d" auf dem Display angezeigt.



MIDI-Übertragung/Empfang zwischen Verstärkern der DG-Serie

Mit den Funktionen MIDI Bulk-Übertragung und MIDI Bulk-Empfang können Sie Speicherdaten und Einstellungen von einem Gitarrenverstärker der DG-Serie (DG100-212A/DG80-210A/DG80-112A/DG130HA) auf einen anderen kopieren.

* Achten Sie darauf, daß der DG-Verstärker, der Daten empfangen soll, sich in einem AMP-Modus oder im EFFECT-Einstellmodus befindet.

Ein- und Ausschalten des Lautsprechersimulators

Der Lautsprechersimulator des DG-Verstärkers versieht das Line-Signal mit einer realistischen Simulation des natürlichen Klangs eines Lautsprechers. Das Simulationssignal kann beispielsweise eingesetzt werden, wenn die LINE OUT-Buchse mit einem Mischpult oder einem Aufnahmegerät verbunden ist.

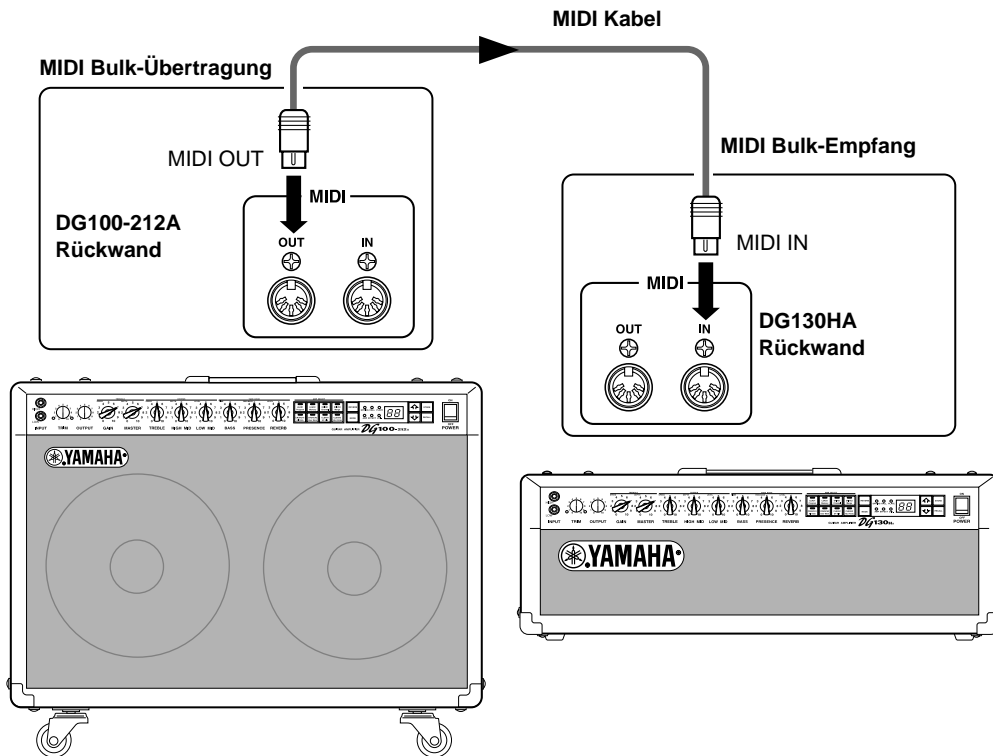
1. Halten Sie die **[MODE]**-Taste mindestens eine Sekunde lang gedrückt. Die Anzeige-LED "UTIL." (Utility-Modus) leuchtet nun zur Bestätigung.
2. Drücken Sie die **[CLEAN1]**-Taste. Die gegenwärtige Einstellung wird auf dem Display angezeigt.
3. Wählen Sie mit den **[UP] / [DOWN]**-Tasten "ON" (EIN) oder "OFF" (AUS).

Einstellen des Regelpunkts für pedalgesteuerte Lautstärkeregelung

Über diesen Parameter können Sie vorgeben, an welchem Punkt der Ton-signalleitung die MIDI-gesteuerte Lautstärkeregelung stattfinden soll. (Einzelheiten siehe "MIDI-gesteuerte Lautstärkeregelung" auf Seite 37.)

1. Halten Sie die **[MODE]**-Taste mindestens eine Sekunde lang gedrückt. Die Anzeige-LED "UTIL." (Utility-Modus) leuchtet nun zur Bestätigung.
2. Drücken Sie die **[CLEAN2]**-Taste. Die gegenwärtige Einstellung wird auf dem Display angezeigt.
3. Wählen Sie mit den **[UP] / [DOWN]**-Tasten den Punkt (bP, RP, Rr), an dem die Lautstärke geregelt werden soll.

Beispiel: Kopieren der Speicherdaten von einem DG100-212A auf einen DG130HA



Fehlermeldungen

Sollte beim Betrieb ein Fehler auftreten, informiert einer der folgenden Fehlercodes über dessen Ursache.

E 1: Motorantriebsfehler

URSACHE: Ein Regler hat 20 Sekunden nach Abrufen einer Klangeinstellung die entsprechende Position nicht erreicht, oder das Gerät hat den Abrufbefehl nicht erkannt.

LÖSUNG: Das Gerät ausschalten und in dem Geschäft, in dem es erworben wurde, oder von einem Yamaha-Service instandsetzen lassen.

E 2: MIDI-Empfangspuffer voll

URSACHE: Es wurden zu einem gegebenen Zeitpunkt zu viele MIDI-Daten vom DG-Verstärker empfangen.

LÖSUNG: Versuchen Sie, die zu sendende Datenmenge zu reduzieren, oder Teilen Sie die Daten in kleinere Blöcke auf.

E 3: Kommunikationsfehler

URSACHE: Beim MIDI-Datenaustausch wurde ein Fehler festgestellt.

LÖSUNG: Überprüfen Sie die Anschlüsse usw., und versuchen Sie es dann noch einmal.

E 4: Kontrollsummenfehler bei Bulk Dump-Empfang

URSACHE: Die Kontrollsumme stimmt nicht mit den empfangenen MIDI-Daten überein.

LÖSUNG: Überprüfen Sie die Anschlüsse und Daten, und versuchen Sie es dann noch einmal.

E 5: Datenfehler bei Bulk Dump-Empfang

URSACHE: In den den empfangenen MIDI-Daten wurde ein Fehler festgestellt.

LÖSUNG: Überprüfen Sie die Anschlüsse und Daten, und versuchen Sie es dann noch einmal.

E 6: Speicherbatteriefehler

URSACHE: Die Speicherschutzbatterie ist erschöpft.

LÖSUNG: Bei fortgesetztem Gebrauch gehen die intern gespeicherten Daten verloren. Lassen Sie die Batterie in dem Geschäft, in dem es erworben wurde, oder von einem Yamaha-Service durch eine neue ersetzen.

Technische Daten

Digitale Schaltungen

Complete Digital Signal Processing
 Volldigitale Signalverarbeitung
 8 interne Preset-Programme
 Digitales Reverb (SPRING/HALL/PLATE)
 Digitale Effekte (Tremolo, Chorus, Tape Echo)
 Lautsprecher-Simulator (LINE OUT)

Analoge Schaltungen

DG100-212A : Transistorisierte 100 W (4 Ω) Endstufe
 30 cm Lautsprecherchassis (Celestion Vintage 30) x 2

DG80-210A : Transistorisierte 80 W (8 Ω) Endstufe
 25 cm Lautsprecherchassis (V10-60) x 2

DG80-112A : Transistorisierte 80 W (8 Ω) Endstufe
 30 cm Lautsprecherchassis (Celestion G12H-100) x 1

DG130HA : Transistorisierte 130 W (4 Ω) Endstufe

MIDI-Funktionen



Empfangen: Program Change, Control Change (Controller Nr. 7, 91, 92, 93, 94), Bulk Dump

Senden: Bulk Dump, Merge

Regler/Schalter

Frontplatte: TRIM, OUTPUT, GAIN (TREMOLO SPEED), MASTER (TREMOLO DEPTH), TREBLE (CHORUS SPEED), HIGH MID (CHORUS DEPTH), LOW MID (CHORUS LEVEL), BASS (TAPE ECHO TIME), PRESENCE (TAPE ECHO FEED BACK), REVERB (TAPE ECHO LEVEL)

Rückwand: LINE OUT, EFFECT BLEND

Schalter: AMP SELECT (LEAD1, LEAD2, DRIVE1, DRIVE2, CRUNCH1, CRUNCH2, CLEAN1, CLEAN2), REVERB, MODE, , , STORE, RECALL

Anzeigen

8 AMP SELECT-Anzeige-LEDs
 3 MODE-Anzeige-LEDs
 2 REVERB-Typ-Anzeige-LEDs
 2stelliges 7-Segment-LED-Display

Pegelanzeigen

Anzeige-LED für TRIM-Pegel (grün)
 Anzeige-LED für TRIM-Beschneidungspegel (rot)

Buchsen

INPUT HIGH/LOW: Standard-Klinkenbuchse (mono)
 SPEAKER (DG100-212A: x 1, DG80-210A: x 2, DG80-112A: x 2, DG130HA: x 2): Standard-Klinkenbuchse (mono)
 EFFECT SEND/RETURN: Standard-Klinkenbuchse (mono)
 LINE OUT: Cannon-Buchse
 MIDI IN, MIDI OUT: 5polige DIN-Buchse

A/D-Umsetzer 20 Bit

D/A-Umsetzer 20 Bit

Samplingfrequenz 48 kHz

Speicherplätze 128

Eingangspegel/-impedanz

INPUT HIGH: -30 dBm (THRU) / 1 MΩ
 INPUT LOW: -20 dBm (THRU) / 1 MΩ
 EFFECT RETURN: 0 dBm / 120 kΩ

Ausgangspegel/-impedanz

DG100-212A

SPEAKER: 100 W RMS / 4 Ω
 LINE OUT: +4 dBm / 600 Ω
 EFFECT SEND: 0 dBm / 2,2 kΩ

DG80-210A/DG80-112A

SPEAKER: 80 W RMS / 8 Ω, 100 W RMS / 4 Ω
 LINE OUT: +4 dBm / 600 Ω
 EFFECT SEND: 0 dBm / 2,2 kΩ

DG130HA

SPEAKER: 130 W RMS / 4 Ω
 LINE OUT: +4 dBm / 600 Ω
 EFFECT SEND: 0 dBm / 2,2 kΩ

Netzanschlußwerte

Modelle für USA und Kanada: 120 V, 60 Hz
 Allgemeines Modell: 230 V, 50 Hz

Leistungsaufnahme

DG100-212A : 100 W
DG80-210A : 100 W
DG80-112A : 100 W
DG130HA : 140 W

Abmessungen (B) x (H) x (T)

DG100-212A : 712 x 574 x 284 mm (mit Fußrollen)
DG80-210A : 595 x 471 x 284 mm
DG80-112A : 542 x 510 x 284 mm
DG130HA : 711 x 250 x 284 mm

Gewicht

DG100-212A : 33,5 kg
DG80-210A : 26,0 kg
DG80-112A : 25,0 kg
DG130HA : 18,0 kg

* Änderungen der technischen Daten und des Designs vorbehalten.

Gebrauch der S412V/S112

S412V

Die S412V ist eine Lautsprecherbox mit vier Celestion-Lautsprecherchassis vom Typ "Vintage 30".

- * Die Lautsprecherbox ist mit 240 W belastbar. Verwenden Sie einen Verstärker mit einer Ausgangsleistung von weniger als 240 W.
- * Die Impedanz beträgt 8 Ω. Achten Sie darauf, daß die Impedanzspezifikation des verwendeten Verstärkers zur Lautsprecherimpedanz paßt.
- * Wenn Sie mehr als zwei Lautsprecher verwenden, müssen Sie darauf achten, daß deren Gesamtimpedanz innerhalb des für den Verstärker vorgeschriebenen Impedanzbereichs fällt. Siehe Abschnitt "Lautsprecheranschluß" auf Seite 34.

■ Technische Daten

Lautsprecherchassis	30 cm (Celestion "Vintage 30") x 4
Belastbarkeit	240 W
Impedanz	8 Ω
Abmessungen (BxHxT)	765 x 820 x 359 mm (mit Fußrollen)
Gewicht	44,0 kg (mit Fußrollen)
Zubehör	Lautsprecherkabel

● Lautsprecherchassis

Größe	30 cm
Schwingspule	44ø mm Durchmesser
Magnet	Ferrit 1,42 kg
Frequenzbereich	70 Hz bis 5 kHz
Empfindlichkeit	100 dB (1 m/W)
Belastbarkeit	60 W (RMS)
Nennimpedanz	8 Ω
Grundfrequenz	70 Hz

* Änderungen der technischen Daten und des äußeren Erscheinungsbilds ohne Vorankündigung vorbehalten.

S112

Die S112 ist eine Lautsprecherbox mit einem Celestion-Lautsprecherchassis vom Typ "G12H-100".

- * Die Lautsprecherbox ist mit 100 W belastbar. Verwenden Sie einen Verstärker mit einer Ausgangsleistung von weniger als 100 W.
- * Die Impedanz beträgt 8 Ω. Achten Sie darauf, daß die Impedanzspezifikation des verwendeten Verstärkers zur Lautsprecherimpedanz paßt.
- * Wenn Sie mehr als zwei Lautsprecher verwenden, müssen Sie darauf achten, daß deren Gesamtimpedanz innerhalb des für den Verstärker vorgeschriebenen Impedanzbereichs fällt. Siehe Abschnitt "Lautsprecheranschluß" auf Seite 34.

■ Technische Daten

Lautsprecherchassis	30 cm (Celestion G12H-100) x 1
Belastbarkeit	100 W
Impedanz	8 Ω
Abmessungen (BxHxT)	542 x 510 x 284 mm
Gewicht	16,0 kg
Zubehör	Lautsprecherkabel

● Lautsprecherchassis

Größe	30 cm
Schwingspule	44ø mm Durchmesser
Magnet	Ferrit 1,42 kg
Frequenzbereich	82 Hz bis 5,5 kHz
Empfindlichkeit	100 dB (1 m/W)
Belastbarkeit	100 W (RMS)
Nennimpedanz	8 Ω
Grundfrequenz	82 Hz

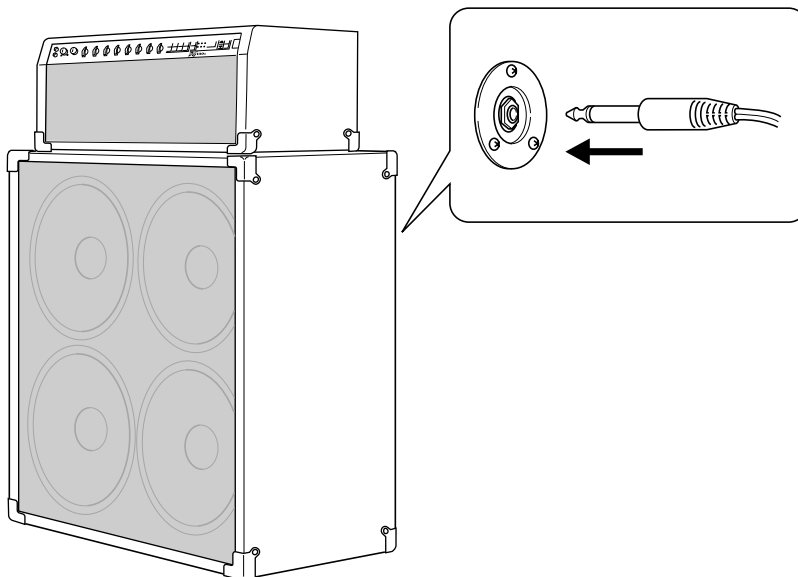
* Änderungen der technischen Daten und des äußeren Erscheinungsbilds ohne Vorankündigung vorbehalten.

■ Anschluß

1. Schalten Sie den Verstärker aus, und stellen Sie die Lautstärke auf "0".

* Wenn der Lautsprecher bei eingeschaltetem und auf hohe Lautstärke gestelltem Verstärker angeschlossen wird, kann der Lautsprecher und/oder der Verstärker beschädigt werden.

2. Verbinden Sie die Klinkenbuchse an der Rückseite der S412V-/S112-Box über das mitgelieferte Lautsprecherkabel mit der Ausgangsbuchse des Verstärkers (bei einem DG-Verstärker die SPEAKER-Buchse).



AMPLIFICADOR DE GUITARRA

DG100-212A

DG80-210A

DG80-112A

AMPLIFICADOR DE CABEZA PARA GUITARRA

DG130HA

CAJA ACÚSTICA DE ALTAVOZ

S412V

S112

Manual del Usuario

Gracias por adquirir un amplificador de guitarra de la serie DG de Yamaha.

Los amplificadores digitales de guitarra de la serie DG han sido concebidos y desarrollados enteramente por Yamaha. Estos amplificadores producen unos potentes sonidos de amplificador de válvulas y ofrecen mayor estabilidad que otros amplificadores similares. La posibilidad de seleccionar entre ocho tipos distintos de amplificador permite crear una amplia variedad de sonidos originales. Se puede almacenar un total de 128 ajustes en la memoria interna y recuperarlos a conveniencia con los botones del panel o a través de un pedal controlador MIDI. Asimismo, los amplificadores de guitarra de la serie DG están provistos de cuatro efectos digitales incorporados (reverberación, trémolo, coros, y eco de cinta) que pueden utilizarse para añadir color a las creaciones tonales, y un simulador de altavoz para añadir a la señal de salida de línea una simulación de altavoz de gran realismo. Las avanzadas prestaciones y los controles de fácil uso le permitirán crear una gran variedad de colores tonales.

La caja S412V está equipada con cuatro altavoces Celestion "Vintage 30" de 30 cm y posee una potencia nominal de 240 W.

La caja S112 está equipada de un altavoz Celestion "G12H-100" de 30 cm y posee una potencia nominal de 100 W.

Para obtener los mejores resultados y prolongar la vida útil del amplificador de guitarra de la serie DG, le recomendamos que lea atentamente este manual y lo conserve en un lugar seguro para futuras consultas.

DG100-212A/DG80-210A/DG80-112A/DG130HA

Precauciones	44
Controles del panel	45
■ Panel frontal	45
■ Panel posterior	46
Conexión de altavoces	47
■ Para el DG100-212A	47
■ Para el DG80-210A/DG80-112A	47
■ Para el DG130HA	47
Cómo utilizar el amplificador de la serie DG	48
■ Primero, habilite la salida de sonido	48
■ Ajuste el nivel de preganancia (TRIM)	48
■ Ajustes de sonido	48
■ Ajustes de reverberación	48
■ Ajustes de efectos (Trémolo, Coro, Eco de cinta)	48
Recuperación y almacenamiento (Recall/Store)	49
■ Recuperación de la memoria (Recall)	49
■ Almacenamiento de ajustes (Store)	49
Funciones fáciles de usar	50
■ Uso de MIDI para recuperar de la memoria	50
■ Uso de MIDI para controlar el volumen	50
■ Control de la reverberación, trémolo, coro y eco de cinta a través de MIDI	50
■ Simulador de altavoz	50

Modo de utilidades	51
■ Creación de una tabla de cambio de programa	51
■ Ajuste del canal de recepción MIDI	51
■ Ajuste de la fusión MIDI	51
■ Salida de bloques MIDI	51
■ Entrada de bloques MIDI	51
■ Transmisión y recepción MIDI entre amplificadores de la serie DG	52
■ Simulador de altavoz (activación y desactivación)	52
■ Ajuste de la posición del pedal de volumen	52
Mensajes de error	53
Especificaciones	54
Tabla de implementación MIDI	82
Lista de parches	83

S412V/S112

Uso de la caja de altavoz S412V/S112	55
---	-----------

Precauciones

- Para evitar posibles daños, procure no utilizar el amplificador y el altavoz en los siguientes lugares:
 - A la luz directa del sol o junto a un equipo de calefacción.
 - En ambientes extremadamente fríos o cálidos.
 - En ambientes sometidos a condiciones extremas de polvo y humedad.
 - En lugares expuestos a impactos o vibraciones.
- Antes de efectuar cualquier conexión, compruebe que el amplificador y los dispositivos externos están apagados (OFF).
- Para proteger el altavoz de posibles daños, ajuste siempre el mando OUTPUT a "0" antes de encender o apagar (ON/OFF) la unidad.
- Cuando vaya a conectar un altavoz a esta unidad, compruebe que está apagada.
- No aplique demasiada fuerza a los interruptores y controles.
- Este amplificador de guitarra Yamaha es un instrumento musical de precisión. Trátemelo con cuidado y evite los golpes y las caídas.
- La temperatura del amplificador se elevará cuando esté en funcionamiento. Compruebe que se encuentra en una zona bien ventilada. El DG130HA deberá situarse de manera que sus paneles laterales, posterior y superior queden como mínimo a 30 cm de la pared.
- Por cuestiones de seguridad, desconecte siempre el cable de alimentación de la toma mural si advierte peligro de tormenta en la zona.
- Mantenga el amplificador alejado de los anuncios de neón y de los fluorescentes para evitar la captación de ruido.

- Para evitar daños y posibles descargas eléctricas, no abra nunca la carcasa ni manipule la circuitería interna.
- No utilice nunca benceno, aguarrás u otros líquidos volátiles para limpiar la unidad, ya que estos productos químicos pueden deteriorar o decolorar el acabado. Utilice siempre un paño suave y seco para eliminar el polvo y la suciedad.

==== Acerca de la pila de seguridad ====

(amplificadores de guitarra de la serie DG)

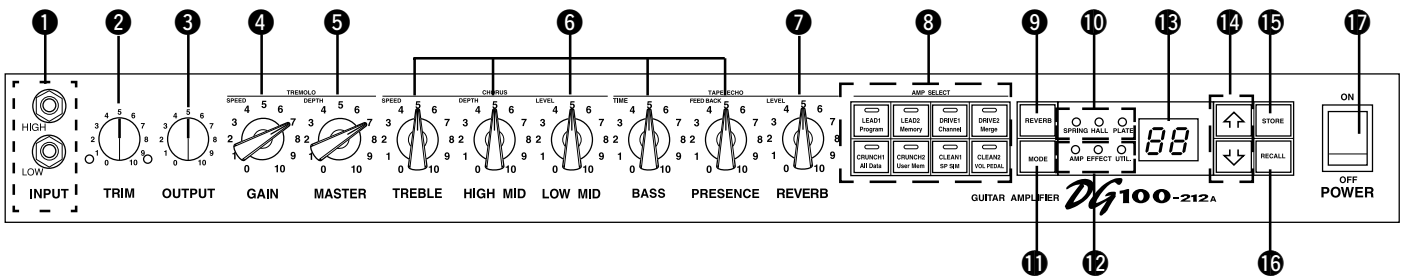
La pila de seguridad (litio) se utiliza para evitar la pérdida de los datos internos (ajustes) aunque se desconecte el cable de alimentación. Los datos internos se perderán cuando se agote la pila, por lo que recomendamos guardar los datos en una grabadora externa, por ejemplo, el archivador de datos MIDI MDF3 de Yamaha (→ página 51), o anotar todos los ajustes en una lista. La vida útil de la pila es aproximadamente de tres años. Para sustituirla, póngase en contacto con el establecimiento donde adquirió el equipo o con un representante del servicio técnico.

- No intente cambiar personalmente la pila de seguridad.
- Mantenga la pila fuera del alcance de los niños.
- Cuando se agote la pila, en la pantalla aparecerá la indicación "E5". Es posible que se hayan perdido los datos internos.
- Los datos pueden perderse si la unidad se maneja de manera impropia o si se efectúa alguna reparación.

Controles del panel

■ Panel frontal

* Ilustración del DG100-212A



1 Conector de entrada (INPUT HIGH, LOW)

Conecte la guitarra a esta entrada. Las guitarras con un elevado nivel de salida deberán conectarse a la entrada LOW, y las de bajo nivel de salida a la entrada HIGH.

* Apague la unidad (OFF) antes de conectar la guitarra.

2 Control de preganancia (TRIM)

Se utiliza para coordinar el nivel de salida de la guitarra y el nivel de entrada del preamplificador (→ página 48).

* Los ajustes de nivel de preganancia no se conservan en la memoria.

3 Control del nivel de salida (OUTPUT)

Se utiliza para controlar el volumen de salida de la etapa de potencia. Determina la cantidad de salida del sonido producido por los controles de ganancia, volumen general, etc., del preamplificador. El volumen no influye en la calidad tonal del amplificador.

* Los ajustes de nivel de salida no se conservan en la memoria.

* No afecta al nivel (volumen) de la salida de línea LINE OUT 2.

4 Volumen de ganancia (GAIN)

Se utiliza para controlar la cantidad de distorsión.

* No se generará sonido si la ganancia se ajusta a 0, incluso aunque se eleve el volumen general (MASTER) 5.

Cuando el modo de efectos está activado, el control GAIN se emplea para ajustar la velocidad (SPEED) del trémolo (→ página 48).

5 Volumen general (MASTER)

Se utiliza para controlar el volumen global de ganancia y los ajustes de control de tono. También controla el nivel de salida del preamplificador.

* Los ajustes de nivel general no se conservan en la memoria.

Cuando el modo de efectos está activado, el control MASTER se emplea para ajustar la profundidad (DEPTH) del trémolo (→ página 48).

6 Controles de tono

(TREBLE, HIGH MID, LOW MID, BASS, PRESENCE)

Se utilizan para controlar los niveles de las frecuencias respectivas.

Cuando el modo de efectos está activado, es posible efectuar los ajustes siguientes: (→ página 48)

- TREBLE, HIGH MID, LOW MID → SPEED, DEPTH, LEVEL de los coros
- BASS, PRESENCE → TIME, FEED BACK del eco de cinta

7 Volumen de reverberación (REVERB)

Se utiliza para controlar la cantidad de reverberación (→ página 48). Si el modo de efectos está activado, el mando REVERB se utiliza para realizar el ajuste de nivel (LEVEL) del eco de cinta (→ página 48).

8 Botón y pantalla de selección de amplificador (AMP SELECT) (LEAD 1, 2/DRIVE 1, 2/CRUNCH 1, 2/CLEAN 1, 2)

Se utiliza para seleccionar uno de los ocho tipos de amplificador predefinidos. En la pantalla aparecerá el tipo seleccionado en ese momento (→ página 48).

Si está activado el modo de utilidades, estos interruptores se utilizan para cambiar de función MIDI, activar o desactivar el simulador de altavoz, etc. (→ página 51).

* Cuando se pulsa el botón Amp Select, los mandos 4 – 6 restablecen sus posiciones predefinidas (GAIN y MASTER = 7, y todos los controles de tono = 5). La posición del mando REVERB no cambia.

9 Botón de selección del tipo de reverberación (REVERB)

10 Indicador del tipo de reverberación (SPRING, HALL, PLATE)

Pulse el botón **REVERB** para seleccionar el tipo de reverberación. Se iluminará el indicador correspondiente al tipo de reverberación seleccionado (→ página 48).

11 Botón de selección de modo (MODE)

12 Indicador de modo (AMP/EFFECT/UTIL.)

Indica el modo actualmente seleccionado.

• AMP (Modo de amplificador)

Modo de funcionamiento normal. Todos los mandos y botones del panel funcionan de acuerdo con el texto rotulado (los mandos y botones con doble rotulación funcionarán de acuerdo con sus indicadores de la parte inferior.)

Este modo se activará automáticamente cada vez que se recupere un ajuste de la memoria.

• EFFECT (Modo de efectos) → página 48

Modo de ajuste de efectos (trémolo, coros, eco de cinta).

En el modo Amp, pulse el botón **MODE** una vez y libérela de inmediato para acceder al modo de efectos.

• UTIL. (Modo de utilidades) → página 51

Este modo se utiliza para configurar las funciones MIDI y activar o desactivar el simulador de altavoz. En los modos de amplificador o de efectos, mantenga pulsado el botón **MODE** aproximadamente un segundo para acceder al modo de utilidades.

13 Pantalla

Muestra los números de memoria, los números de cambio de programa, el canal MIDI, etc.


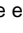
14 Botones

Aumenta o disminuye en una unidad el número de memoria, así como los valores. En el modo de utilidades, aumenta o disminuye los valores en una unidad, o activa y desactiva la función. Los valores cambiarán continuamente si se mantiene pulsado el botón.

15 Botón de almacenamiento (STORE)

Pulse este botón para guardar los ajustes de sonido actuales en la memoria interna. (→ página 49). También se utiliza para efectuar las operaciones de trasvase en bloque MIDI. (→ página 51).

16 Botón de recuperación (RECALL)

Recupera los ajustes almacenados en la memoria. Utilice los botones   para seleccionar un número de memoria (01-128), y después pulse el botón **RECALL** para recuperar los ajustes deseados. (→ página 49).

17 Interruptor de encendido (POWER)

Interruptor de encendido del amplificador.

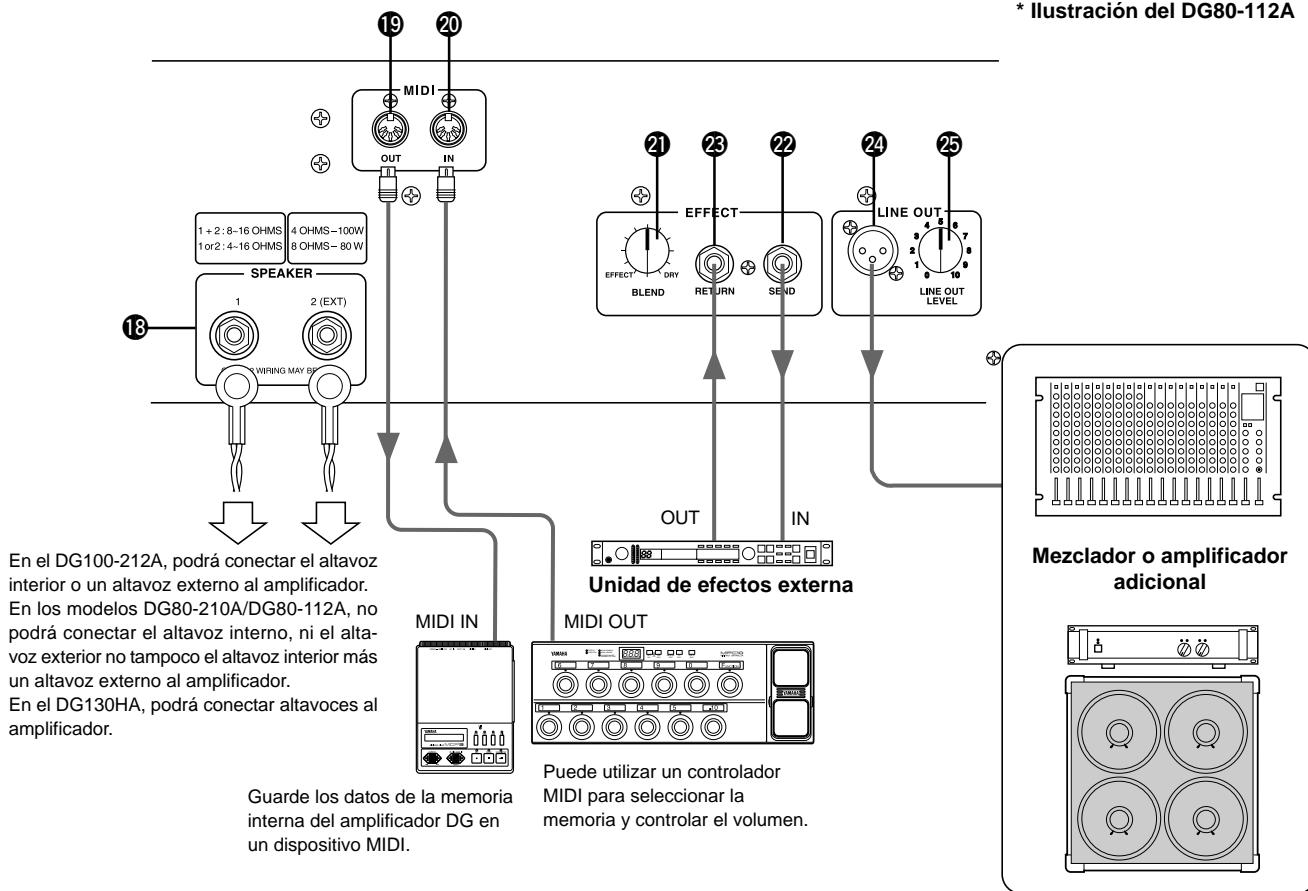
* Para proteger los altavoces de posibles daños, ajuste siempre el volumen de salida 3 a "0" antes de encender o apagar la unidad.

Controles del panel

■ Panel posterior

Antes de efectuar ninguna conexión, compruebe que el amplificador DG o cualquier otro dispositivo externo están apagados **OFF**.

* Ilustración del DG80-112A



18 Conector de altavoz (SPEAKER)

DG100-212A: El altavoz interno se conecta al amplificador.

DG80-210A/DG80-112A: Provisto de dos conectores de altavoz. El altavoz interno se conecta a SPEAKER 1.

DG130HA: Equipado con dos conectores de altavoz.

En la sección "Conexión de altavoces" de la página 47 encontrará instrucciones para la conexión de los altavoces al amplificador.

19 Salida MIDI OUT

Conecte esta salida a la entrada MIDI IN de un dispositivo que pueda almacenar datos MIDI. Los datos guardados en la memoria interna del amplificador DG podrán transmitirse a un dispositivo MIDI externo para su almacenamiento (→ página 51: salida de bloques MIDI).

Esta salida también transmite los datos MIDI recibidos en la entrada MIDI IN 20 a un dispositivo externo si la fusión MIDI está activada (→ página 51).

20 Entrada MIDI IN

Conecte esta entrada a la salida MIDI OUT de un pedal MIDI externo para controlar el amplificador DG. La selección de memoria, control de volumen, y los efectos pueden controlarse desde un pedal controlador externo (→ página 49).

Asimismo, los datos de memoria guardados en un dispositivo de almacenamiento externo pueden volver a cargarse en la memoria interna de cualquiera de los amplificadores DG (→ página 51 Entrada de bloques MIDI).

21 Control de mezcla de efectos (EFFECT BLEND)

22 Conector de envío de efectos (EFFECT SEND)

23 Conector de retorno de efectos (EFFECT RETURN)

Puede insertarse una unidad de efectos externa en el circuito de señal entre los conectores SEND/RETURN para efectuar un procesamiento adicional de la señal de tono creada por la unidad principal. Utilice el mando BLEND para controlar el nivel de balance entre el sonido de la unidad de efectos externa (EFFECT) y el sonido creado por el amplificador DG (DRY). Si gira completamente el mando hasta la posición EFFECT, oírás únicamente el sonido producido por la unidad de efectos. Si gira el mando hasta la posición DRY, sólo oírás el sonido creado por el amplificador, sin la coloración adicional de la unidad de efectos externa.

* Si inserta una clavija en el conector RETURN, desconectará la circuitería interna. La señal que retorna de la unidad de efectos accede por aquí al circuito interno y continúa hasta la etapa de potencia → altavoz. Si no se utiliza el conector RETURN, el mando BLEND no estará operativo.

El conector SEND también puede funcionar como conector de salida de preamplificador, y el conector RETURN como entrada principal.

24 Salida de línea (LINE OUT)

25 Control del nivel de salida de línea (LINE OUT LEVEL)

La misma señal que se envía a la salida de altavoz 18, se envía a la salida LINE OUT con un nivel de línea de +4 dBm / 600 Ω. El amplificador incorpora también un simulador de altavoz (puede activarse/desactivarse → página 52), y puede controlarse el nivel de salida con el mando LINE OUT LEVEL. La señal de línea puede enviarse a un mezclador y utilizarse como conector de salida para un amplificador externo.

Conexión de altavoces

Antes de conectar los altavoces, asegúrese de que su potencia nominal y su impedancia cumplen los requisitos recomendados para el equipo.

■ Para el DG100-212A

El altavoz interno del amplificador (4 Ω) está conectado a la salida de altavoz. Si es necesario, puede desconectar el altavoz interno y conectar uno externo.

Si utiliza altavoces externos, compruebe que cumplen el siguiente requisito:

- Potencia nominal mínima de 100 W e impedancia de 4 – 8 Ω.

■ Para el DG80-210A/DG80-112A

El altavoz interno del amplificador (8 Ω) está conectado a la salida SPEAKER 1. El conector SPEAKER 2 (EXT) puede utilizarse para añadir unos altavoces externos. Si es necesario, también puede desconectar el altavoz interno y conectar dos altavoces externos directamente al amplificador. Los dos terminales de altavoz están conectados en paralelo. Si utiliza altavoces externos, compruebe que cumplen los siguientes requisitos:

● Si se utiliza un conector de altavoz

- Potencia nominal mínima de 100 W e impedancia de 4 – 16 Ω.
- La impedancia total de los altavoces de un circuito no debe ser menor que 4 Ω.

● Si se utilizan ambos conectores

- Los altavoces conectados a cada uno de ellos deben tener una impedancia nominal de al menos 100 W y una impedancia de 8 – 16 Ω.
- La impedancia total de los altavoces de un circuito no debe ser menor que 4 Ω.

■ Para el DG130HA

El amplificador está provisto de dos salidas de altavoz conectadas en paralelo. Compruebe que los altavoces cumplen los siguientes requisitos:

● Si se utiliza un conector de altavoz

- Potencia nominal mínima de 130 W e impedancia de 4 – 16 Ω.
- La impedancia total de los altavoces de un circuito no debe ser menor que 4 Ω.

● Si se utilizan ambos conectores

- Los altavoces conectados a cada uno de ellos deben tener una impedancia nominal de al menos 100 W y una impedancia de 8 – 16 Ω.
- La impedancia total de los altavoces de un circuito no debe ser menor que 4 Ω.

Impedancia total

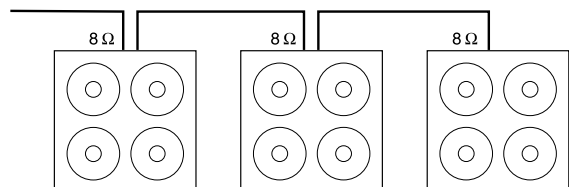
Si se van a conectar dos o más altavoces, deberá tener en cuenta la impedancia total de los altavoces.

Los altavoces normalmente tienen una impedancia de 4, 8 ó 16 Ω. Si se usan conjuntamente dos o más altavoces, la impedancia total dependerá de cómo se hayan conectado.

● Conexión en serie

La impedancia total es igual a la impedancia del 1^{er} altavoz + 2^o altavoz + 3^{er} altavoz + ...

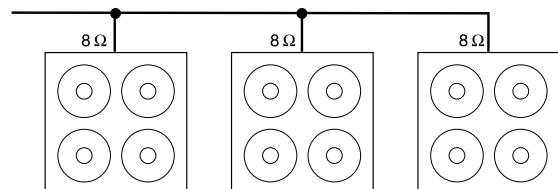
Si, como se muestra a continuación, se conectan tres altavoces en serie, la impedancia total será de 24 Ω.



● Conexión en paralelo

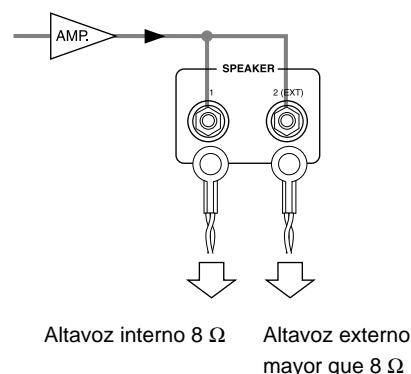
$$\text{La impedancia total} = \frac{1}{\frac{1}{1^{\text{er}} \text{ altavoz}} + \frac{1}{2^{\text{o}} \text{ altavoz}} + \frac{1}{3^{\text{er}} \text{ altavoz}} + \dots}$$

Si, como se muestra a continuación, se conectan tres altavoces en paralelo, la impedancia total será aproximadamente de 2,7 Ω.



Para el DG80-210A/DG80-112A

Las dos salidas de altavoz están conectadas internamente en un circuito en paralelo, por lo que la incorporación de un altavoz externo de 4 Ω al altavoz interno de 8 Ω dará una impedancia total de 2 Ω. Para conseguir una impedancia mínima de 4 Ω, deberá utilizarse un altavoz externo de 8 Ω o mayor.



Cómo utilizar el amplificador de la serie DG

Para proteger el altavoz de posibles daños, ajuste siempre el volumen de salida a "0" antes de encender o apagar la unidad.

■ Primero, habilite la salida de sonido

1. Con el amplificador DG apagado (OFF), conecte la guitarra a la entrada INPUT del panel frontal. Para empezar, utilice el conector LOW.
2. Con el mando OUTPUT ajustado a "0", encienda (ON) la unidad.
3. Como punto de partida, ajuste el nivel de preganancia (TRIM) a "5" y rasquee la guitarra; a continuación, suba gradualmente el nivel OUTPUT.
4. En cuanto disponga de salida de sonido, ajuste el nivel de preganancia como se explica en la siguiente sección.

■ Ajuste el nivel de preganancia (TRIM)

El nivel TRIM permite ajustar el nivel de salida de la guitarra a un nivel óptimo para la entrada INPUT del amplificador DG. Con el nivel de preganancia bien ajustado, podrán percibirse con total claridad los matices más sutiles del punteo y el ataque decidido del rasgueo. Un nivel de preganancia mal ajustado producirá ruido, realimentación o un sonido entrecortado.

* El nivel de salida varía de una guitarra a otra. Siempre que cambie de guitarra, será necesario reajustar el nivel de preganancia para adaptarlo al de la guitarra.

* Los niveles de entrada HIGH y LOW son distintos. Aun utilizando la misma guitarra, reajuste el nivel TRIM cada vez que use un conector de entrada distinto.

* Incluso cuando esté creando distorsión, compruebe que el nivel TRIM está correctamente ajustado; utilice el control GAIN para producir la distorsión.

1. Ajuste el volumen de la guitarra al máximo nivel y rasquee con fuerza la guitarra. Empiece a ajustar el nivel de preganancia. El diodo verde se iluminará cuando se alcance el nivel óptimo.
2. Continúe girando el mando TRIM a la derecha mientras no se ilumina el diodo rojo. Ajuste el nivel de preganancia a "10" si el diodo rojo sigue sin iluminarse.
 - * Si el diodo rojo continúa apagado, baje el nivel de preganancia, conecte la guitarra a la entrada HIGH y repita el procedimiento anterior.

■ Ajustes de sonido

Seleccione uno de los ocho tipos predefinidos de amplificador DG y, a continuación, utilice los controles GAIN + MASTER y de tono para moldear el sonido de la guitarra.

1. Seleccione un tipo de amplificador utilizando uno de los botones AMP SELECT; se iluminará el diodo del botón correspondiente al tipo de amplificador seleccionado.
2. Utilice GAIN, MASTER y los cinco controles de tono para moldear el sonido de la guitarra.

SUGERENCIA Mandos OUTPUT y MASTER

Si gira uno de estos mandos, modificará el volumen. El mando MASTER controla el volumen general del preamplificador, y su ajuste se conserva en la memoria. El mando OUTPUT controla el volumen de la etapa de potencia, y su ajuste no se conserva en la memoria. Los niveles de volumen para los ajustes de memoria individuales deberán establecerse con el mando MASTER. El nivel de salida de altavoz deberá controlarse con el mando OUTPUT.

* Cuando se pulsa un botón AMP SELECT, todos los mandos (excepto TRIM, OUTPUT y REVERB) restablecen sus ajustes predefinidos (GAIN y MASTER = 7, todos los controles de tono = 5). (Para guardar los ajustes editados, consulte la sección "Almacenamiento de ajustes" en la página 49).

■ Ajustes de reverberación

1. Pulse el botón REVERB para seleccionar un tipo de reverberación. Cada vez que lo pulse, seleccionará un tipo u otro (SPRING → HALL → PLATE). El indicador del tipo de reverberación seleccionado se iluminará.

2. Utilice el mando REVERB para especificar la cantidad de reverberación.

* Los ajustes de reverberación (tipo y cantidad) seguirán operativos aunque pulse el botón AMP SELECT para cambiar de tipo de amplificador. Si se recupera un número de memoria distinto, los ajustes de reverberación de ese número seguirán operativos.

■ Ajustes de efectos (Trémolo, Coro, Eco de cinta)

1. Presione el botón **MODE** para que la lámpara EFFECT se encienda. Cuando se establece el modo EFFECT, ninguno de los controles GAIN – REVERB, girarán a las posiciones ajustadas en la memoria.
2. Emplee los controles GAIN – REVERB para ajustar la cantidad necesaria de ajuste de cada efecto.

● Efecto de trémolo

• GAIN (SPEED: Velocidad del trémolo)

Ajusta la velocidad del efecto de trémolo (la velocidad en la cual aumenta y disminuye el volumen del efecto). Gire el control hacia la derecha para aumentar la velocidad.

• MASTER (DEPTH: Profundidad del trémolo)

Ajusta la profundidad del efecto de trémolo (los límites superior e inferior del volumen del efecto). Gire el control hacia la derecha para producir más efecto.

● Efecto de coro

• TREBLE (SPEED: Velocidad del coro)

Ajusta el efecto de coro (la velocidad en la cual sube o baja el tono del efecto). Gire el control hacia la derecha para aumentar la velocidad.

• HIGH MID (DEPTH: Profundidad del coro)

Ajusta la profundidad del efecto de coro (los límites superior e inferior del tono del efecto). Gire el control hacia la derecha para producir más efecto.

• LOW MID (LEVEL: Nivel del coro)

Ajusta el nivel de la mezcla del efecto del coro.

● Efecto del eco de cinta

• BASS (TIME: tiempo de eco)

Determina el intervalo de tiempo entre el sonido de la cuerda y el sonido del eco (el tiempo que transcurre entre un eco y el siguiente). Gire el mando a la derecha para aumentar el intervalo de tiempo.

• PRESENCE (FEEDBACK: realimentación)

Determina el tiempo que durará la repetición del eco. Gire el mando a la derecha para aumentar la duración. Si gira demasiado el mando, puede producirse una realimentación incontrolada.

• REVERB (LEVEL: nivel de eco)

Especifica el nivel de volumen del eco.

3. Cuando el procedimiento de ajuste esté completo, presione el botón **MODE** o el botón **REVERB** y la lámpara AMP se encenderá. Cada uno de los controles GAIN - REVERB devolverá a las posiciones anteriores al registro del modo EFFECT.

* Los ajustes de efecto permanecerán activados aunque se presione el botón AMP SELECT para seleccionar otro tipo de amplificador. Cuando recupere un número diferente de la memoria con la función "Recuperación de la memoria" (consulte la página 49), los ajustes de ese efecto del número de la memoria se activarán.

Con los procedimientos de esta página, puede crear un sonido original (configuración) que, junto a los ajustes de reverberación y efectos, podrán almacenarse en la memoria interna del amplificador DG para ser recuperados en cualquier momento. El procedimiento para almacenar datos en la memoria se explica en la página siguiente.

Recuperación y Almacenamiento (Recall/Store)

Los datos de ajustes predefinidos, especialmente creados por Yamaha para los amplificadores de la serie DG, están instalados en los números de memoria 1 – 80 cuando el amplificador sale de fábrica. (Consulte la “Lista de parches” de la página 83.)

Los datos de ajustes contienen el tipo de amplificador y sus ajustes (GAIN, MASTER, control de tono, reverberación, trémolo, coros, y eco de cinta) que usted puede recuperar cuando lo desee y emplearlos en cualquier momento. Los accionadores motorizados de los controles ajustarán automáticamente los controles a las posiciones correspondientes. Además, cualquier ajuste que usted cree podrá memorizarse (almacenarse) en cualquiera de los números de memoria 1 – 128. Después de haber creado un sonido, trate de almacenarlo.

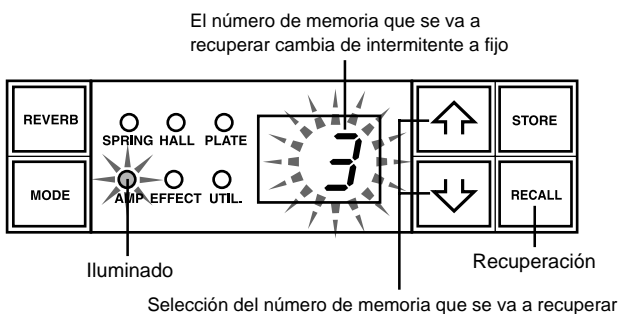
■ Recuperación de la memoria (Recall)

Los ajustes de sonido almacenados pueden recuperarse fácilmente seleccionando un número de memoria.

Cuando se recupera una memoria, los ajustes actuales cambian. Si desea mantener los ajustes, utilice la operación de almacenamiento descrita en esta página para guardarlos en la memoria.

1. Pulse el botón **[MODE]**, y se iluminará el indicador del modo AMP o EFFECT.
2. Utilice los botones **[↑]** / **[↓]** para seleccionar el número de memoria que desea recuperar. El número de memoria parpadeará en la pantalla.
3. Pulse el botón **[RECALL]**. El número de memoria intermitente quedará iluminado. Todos los mandos y la pantalla Amp Select cambiarán según los datos recuperados de la memoria.

- * Los ajustes no cambiarán hasta que no pulse el botón **[RECALL]**.
- * Los ajustes de los mandos TRIM y OUTPUT no cambiarán con la operación de almacenamiento.
- * Los mandos tardarán entre 1 y 10 segundos en cambiar sus ajustes; no obstante, los ajustes internos (sonido) cambiarán de inmediato.
- * En la pantalla aparecerá “E 1” si el mando de volumen no cambia a la posición asignada, o si el dispositivo no ha reconocido la orden de almacenamiento en los veinte segundos siguientes al comienzo de la operación. El uso reiterado del dispositivo en estas condiciones puede originar un incendio o una descarga eléctrica. Lleve la unidad al establecimiento donde fue adquirida o al Servicio Técnico de Yamaha más cercano.



Puede utilizar un pedal controlador u otro dispositivo MIDI externo para seleccionar y recuperar memorias. Para más información, consulte la página 50 siguiente.

■ Inicialización de la memoria

Mientras mantiene presionados el botón **[LEAD 1]** y el botón **[RECALL]**, conecte el interruptor de la alimentación, y entonces se llevará a cabo la operación de inicialización a los preajustes de fábrica y toda la memoria volverá al estado de ajustes predefinidos de fábrica.

Cuando se realice la operación de inicialización, los datos en los números de memoria 1 – 80 quedarán reescritos por los datos de la lista de parches (→ página 83) y los datos de los números de memoria 81 – 128 se repondrán también al estado predefinido de fábrica. Todos los datos que usted haya almacenado en la memoria se borrarán, por lo que le recomendamos encarecidamente que almacene todos los datos importantes en un dispositivo MIDI externo o anote los ajustes antes de llevar a cabo la operación.

■ Almacenamiento de ajustes (Store)

1. Siga el procedimiento de la página 48 y cree un sonido utilizando los ocho tipos de amplificador predefinidos y los mandos de control del panel frontal.

* No es posible almacenar en una memoria individual cada uno de los ajustes del modo de utilidades. Cuando se apaga la unidad, los ajustes de cada memoria se almacenan como ajustes comunes. Cuando se vuelva a encender la unidad, se recuperarán dichos ajustes.

2. Pulse el botón **[MODE]**, y se iluminará el indicador de pantalla del modo AMP o EFFECT.

3. Con los botones **[↑]** / **[↓]**, seleccione un número de memoria en el que guardar los ajustes. El número de memoria parpadeará en la pantalla.

* Si mantiene pulsado cualquiera de los botones **[↑]** / **[↓]**, los números de memoria se desplazarán con gran rapidez.

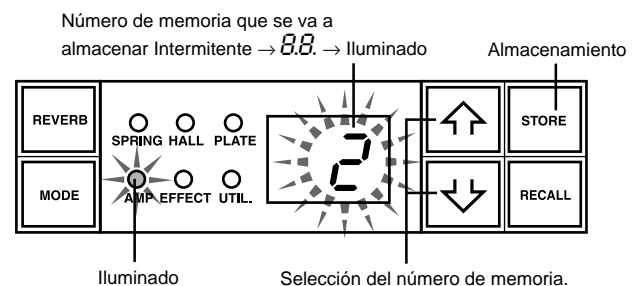
* El tercer dígito del número de memoria (100-128) se representa mediante un punto entre los dos dígitos.

Ejemplo: 128 se visualizará como → **2.8**

4. Mantenga pulsado el botón **[STORE]** aproximadamente un segundo, hasta que en la pantalla aparezca “8.8”.

Cuando libere el botón, el número de memoria intermitente quedará iluminado, indicando que se ha guardado el ajuste en la memoria.

* Los ajustes TRIM y OUTPUT no pueden almacenarse en la memoria. Utilice el mando MASTER para determinar los niveles de acompañamiento y solo.



Los datos almacenados en la memoria (1-128) pueden guardarse en un dispositivo de almacenamiento MIDI externo. Para más información, consulte la página 51.

SUGERENCIA Algunos consejos sobre el almacenamiento en los números de la memoria

Cuando almacene datos en los números de memoria, divida éstos (1-128) en varios grupos.

La recuperación de los números de memoria de estos grupos es más sencilla. Por ejemplo:

- Cree grupos según el tipo de amplificador utilizado (LEAD1, DRIVE1, etc.)
- Cree grupos basados en los tipos de sonido (distorsión, limpio, etc.)
- Cree grupos basados en las listas de canciones de actuaciones en directo.
- Cree grupos basados en el tipo de guitarra utilizado (humbucker, etc.)

También es aconsejable tener a mano una lista de los tipos de sonidos almacenados en los números de memoria.

Funciones fáciles de usar

Los comandos MIDI pueden emplearse para seleccionar números de memoria, controlar los efectos de reverberación, trémolo, coros y de eco de cinta, y el control de volumen del amplificador DG.

También puede aplicar un simulador de altavoz a la señal de salida de línea.

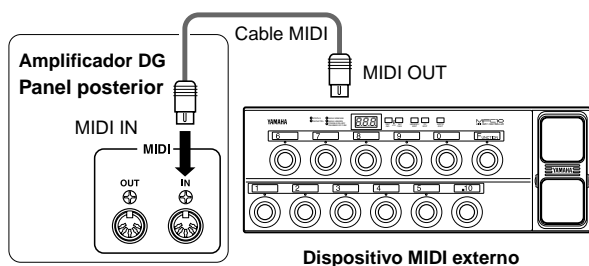
¿Qué es MIDI? MIDI (Musical Instruments Digital Interface) es una interfaz universal de comunicación que permite que los instrumentos musicales compatibles con MIDI, los ordenadores y otros dispositivos MIDI compartan la información musical y se controlen mutuamente, con independencia del tipo de instrumento o fabricante.

■ Uso de MIDI para recuperar de la memoria

Los cambios de programa enviados desde un pedal controlador MIDI MFC10 de Yamaha, etc., o desde un dispositivo MIDI externo, pueden utilizarse para recuperar ajustes de la memoria del amplificador DG.

1. Con un cable MIDI, conecte la entrada MIDI IN del amplificador DG a la salida MIDI OUT de un dispositivo MIDI externo.

* Utilice únicamente un cable MIDI estándar de menos de 15 m. Un cable más largo puede producir anomalías en el funcionamiento.



2. Ajuste el canal de recepción MIDI del amplificador DG y el canal de transmisión MIDI del dispositivo externo con el mismo número de canal MIDI (el número de canal predefinido en fábrica es el 1).

→ Consulte las instrucciones de configuración en "Ajuste el canal de recepción MIDI", en la página 51.

3. Cree una tabla de cambio de programa*1 (el preajuste de fábrica es: número de cambio de programa = número de memoria)

→ Consulte las instrucciones de configuración en "Creación de una tabla de cambio de programa", en la página 51.

*1 Por ejemplo, "el número 1 de cambio de programa recibido recupera el número de memoria 5 del amplificador DG". Para que esto suceda, el número de cambio de programa recibido deberá asignarse al número de memoria correspondiente.

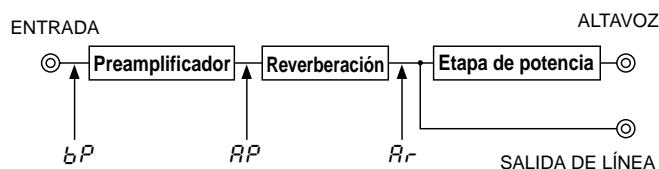
4. Cuando los datos de memoria del programa se transmitan desde un dispositivo MIDI externo, se recuperarán los datos de la memoria correspondiente asignada a la tabla de cambio de programa.

* Consulte las instrucciones de transmisión de los datos de cambio de programa en el manual de uso del dispositivo MIDI externo que esté utilizando.

■ Uso de MIDI para controlar el volumen

Puede controlar el volumen global del amplificador DG desde un dispositivo MIDI externo mediante un mensaje de cambio de control número 7 (volumen principal), enviado desde la salida MIDI OUT de un dispositivo MIDI externo a la entrada MIDI IN de un amplificador DG. Si conecta un pedal controlador MIDI MFC10 de Yamaha, etc., o un dispositivo MIDI equipado con un pedal, podrá utilizar dicho pedal para controlar el volumen durante la actuación. Con las tres posiciones siguientes, podrá seleccionar la posición de control del cambio de volumen.

- "bP" : Before Pre Amp. Controla el volumen antes del preamplificador.
- "RP" : After Pre Amp. Controla el volumen después del preamplificador.
- "Rr" : After REVERB. Controla el volumen después de la reverberación.



1. Utilizando los procedimientos 1. y 2. de la sección "Recuperación de memoria MIDI" anterior, conecte el dispositivo MIDI externo y ajuste el canal de recepción MIDI.

2. A continuación, seleccione la posición del control de volumen.

→ Las instrucciones de ajuste se ofrecen en la sección "Ajuste la posición del pedal de volumen" de la página 52.

3. A partir de ahora, los datos de cambio de control número 7 transmitidos desde un dispositivo MIDI externo controlarán el volumen del amplificador DG.

* El amplificador DG no acepta cambios de control MIDI distintos de los números 7, y 91 a 94.

* Para más información sobre la transmisión de datos de control, consulte el manual de uso del dispositivo MIDI externo.

* Aunque seleccione otro número de memoria, los datos de volumen principal no cambiarán.

* Cuando se enciende la unidad, los datos de volumen principal se ajustan a su máximo nivel.

* Después de haber cambiado los datos de volumen principal, y de haber desconectado el dispositivo MIDI externo, el nivel de volumen puede ser insuficiente. En tal caso, transmita el cambio de volumen de nuevo o apague y vuelva a encender la unidad.

■ Control de la reverberación, trémolo, coro y eco de cinta a través de MIDI

Usted puede ajustar el nivel de los ajustes de reverberación (N.º 91), profundidad del trémolo (N.º 92), nivel del coro (N.º 93) y nivel del eco de cinta (N.º 94) transmitiendo mensajes de cambio de control desde la toma MIDI OUT de un dispositivo MIDI a la toma MIDI IN del amplificador de guitarra DG.

1. Conecte un dispositivo MIDI externo como se describe en los pasos 1 y 2 de la sección "Uso de MIDI para recuperar la memoria" de esta página y ajuste el canal de recepción de MIDI.

2. Transmita el número de cambio de control del parámetro y los datos de cambio de control desde el dispositivo MIDI externo y podrá controlar los parámetros mencionados arriba.

* Para más información con respecto a la transmisión de los datos de cambio de control, consulte el manual del propietario de su dispositivo MIDI externo.

■ Simulador de altavoz

El simulador de altavoz del amplificador DG proporciona a la señal de línea una imitación de gran realismo del sonido natural de un altavoz. El simulador de altavoz puede utilizarse en la señal de línea cuando la salida LINE OUT está conectada a un mezclador o a una grabadora.

→ Puede consultar las instrucciones de ajuste en la sección "Activación/desactivación del simulador de altavoz" de este manual.

Modo de utilidades

El modo de utilidades (Utility) se utiliza para realizar ajustes MIDI y establecer los ajustes del simulador de altavoz y de la posición del pedal de volumen. Para acceder al modo de utilidades, mantenga pulsado el botón **[MODE]** durante más de un segundo, de forma que se ilumine el indicador del modo "UTIL.". Todos los ajustes permanecen almacenados en la memoria, incluso si se apaga el amplificador. Para salir del modo de utilidades, pulse el botón **[MODE]**, y el indicador "AMP" se iluminará.

* En el modo de utilidades no pueden recibirse mensajes MIDI; consulte las secciones "Recuperación de memoria MIDI", "Control de volumen MIDI", "Activación y desactivación del eco de reverberación MIDI" y "Entrada de datos de bloque MIDI" de este manual para ejecutar las operaciones MIDI correspondientes.

■ Creación de una tabla de cambio de programa

Con este procedimiento, puede recuperarse un número de memoria específico de la memoria interna del amplificador DG mediante el número de cambio de programa recibido de un dispositivo MIDI externo.

* Preajuste de fábrica: número de cambio de programa = número de memoria.

1. Mantenga pulsado el botón **[MODE]** durante más de un segundo. El indicador del modo "UTIL." se iluminará (modo de utilidades).
2. Pulse el botón **[LEAD 1]**.
3. Con los botones **[↑]** / **[↓]**, seleccione el número de cambio de programa (1 - 28) que será enviado por el dispositivo externo. El número aparecerá en la pantalla.
4. Pulse el botón **[LEAD 2]**.
5. Con los botones **[↑]** / **[↓]**, seleccione el número de memoria (1 - 28) que será recuperado de la memoria interna del amplificador DG. El número aparecerá en la pantalla.
6. Dependiendo de sus necesidades, repita los pasos 2 a 5.

■ Ajuste del canal de recepción MIDI

Ajuste el canal de recepción MIDI del amplificador DG.

* Para que los dispositivos puedan transmitir y recibir los datos MIDI, es preciso que el canal MIDI de ambos dispositivos sea el mismo; de lo contrario, los datos no podrán transferirse (el preajuste de fábrica es el canal 1).

1. Mantenga pulsado el botón **[MODE]** durante más de un segundo. Se iluminará el indicador del modo "UTIL." (modo de utilidades).
2. Pulse el botón **[DRIVE 1]**. El canal de recepción actualmente seleccionado aparecerá en la pantalla.
3. Con los botones **[↑]** / **[↓]**, seleccione un canal de recepción MIDI (1 - 15, R 11, OF).

* El ajuste "R 11" activa todos los canales ("OMNI ON").

■ Ajuste de la fusión MIDI (Merge)

Si desea que la señal MIDI recibida por la entrada MIDI IN del amplificador DG sea transmitida a otros dispositivos MIDI a través de la salida MIDI OUT del amplificador DG, active la fusión MIDI ("ON"). Si no desea transmitir los datos, desactívela ("OFF").

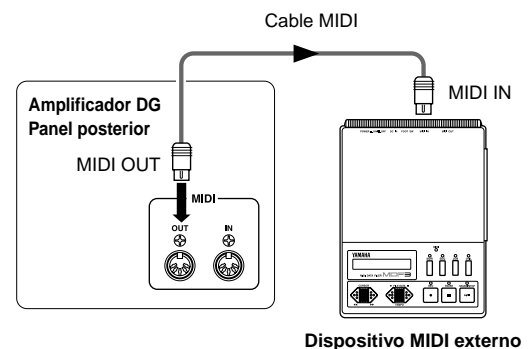
1. Mantenga pulsado el botón **[MODE]** durante más de un segundo. Se iluminará el indicador del modo "UTIL."
2. Pulse el botón **[DRIVE 2]**. El ajuste actual de fusión MIDI aparecerá en la pantalla.
3. Con los botones **[↑]** / **[↓]**, seleccione "ON" u "OFF".

■ Salida de bloques MIDI (Bulk Out)

Puede realizar una copia de seguridad de los datos almacenados en la memoria interna del amplificador DG guardando los datos en un dispositivo de almacenamiento MIDI externo (Yamaha MDF3, etc.).

1. Con un cable MIDI, conecte la salida MIDI OUT del amplificador DG a la entrada MIDI IN del dispositivo de almacenamiento MIDI externo.
2. Pulse el botón **[MODE]** durante más de un segundo. Se iluminará el indicador del modo "UTIL."
3. Para transmitir toda la memoria (128 ajustes de memoria, más los datos de ajuste de utilidades) con la operación de trasvase de bloques:
 - Pulse el botón **[CRUNCH 1]**, y en la pantalla aparecerá "R 11".
 Para transmitir una sola memoria:
 - Pulse el botón **[CRUNCH 2]**. Con los botones **[↑]** / **[↓]**, seleccione el número de memoria (1 - 128, R 11) que desea guardar con la operación de salida de bloques.
4. Pulse el botón **[STORE]** para ejecutar la operación de salida de trasvase de bloques. Pulse el botón **[MODE]** para cancelar la operación.

* El número de dispositivo es el mismo que el del canal de recepción MIDI. Si el canal de recepción MIDI está ajustado a "R 11" (Omni ON), el número de dispositivo será el 1.

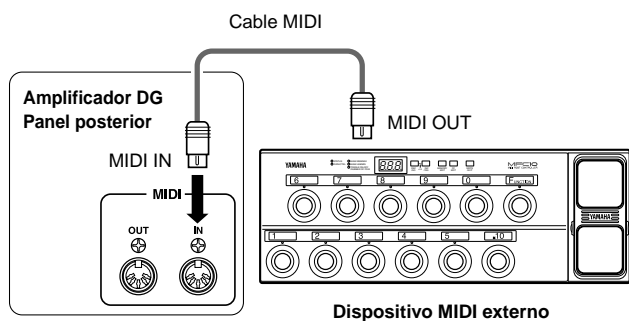


■ Entrada de bloques MIDI

Con un cable MIDI, conecte la entrada MIDI IN del amplificador DG a la salida MIDI OUT de un dispositivo MIDI externo. Devuelva los datos de seguridad MIDI al amplificador DG.

- * La operación de entrada de bloques MIDI se lleva a cabo únicamente en los modos AMP y EFFECT. No puede efectuarse en el modo de utilidades.
- * El número de dispositivo es el mismo que el del canal de recepción MIDI. Si el canal de recepción MIDI está ajustado a "R 11" (Omni ON), el número de dispositivo será el 1. El amplificador DG no recibirá ningún dato si el canal MIDI está desactivado ("OFF").
- * En la pantalla se visualiza "L 8" mientras se ejecuta la operación de entrada de bloques MIDI.

Modo de utilidades



■ Transmisión y recepción MIDI entre amplificadores de la serie DG

Puede utilizar las funciones de entrada y salida de bloques MIDI para copiar los datos de configuración de utilidades y memoria de un amplificador de guitarra de la serie DG (DG100-212A/DG80-210A/DG80-112A/DG130HA) en otro.

* Compruebe que el amplificador DG receptor está en el modo AMP o EFFECT.

■ Simulador de altavoz (activación y desactivación)

El simulador de altavoz del amplificador DG proporciona a la señal de línea una imitación de gran realismo del sonido natural de un altavoz. El simulador puede utilizarse en la señal de línea cuando la salida LINE OUT está conectada a un mezclador o a una grabadora.

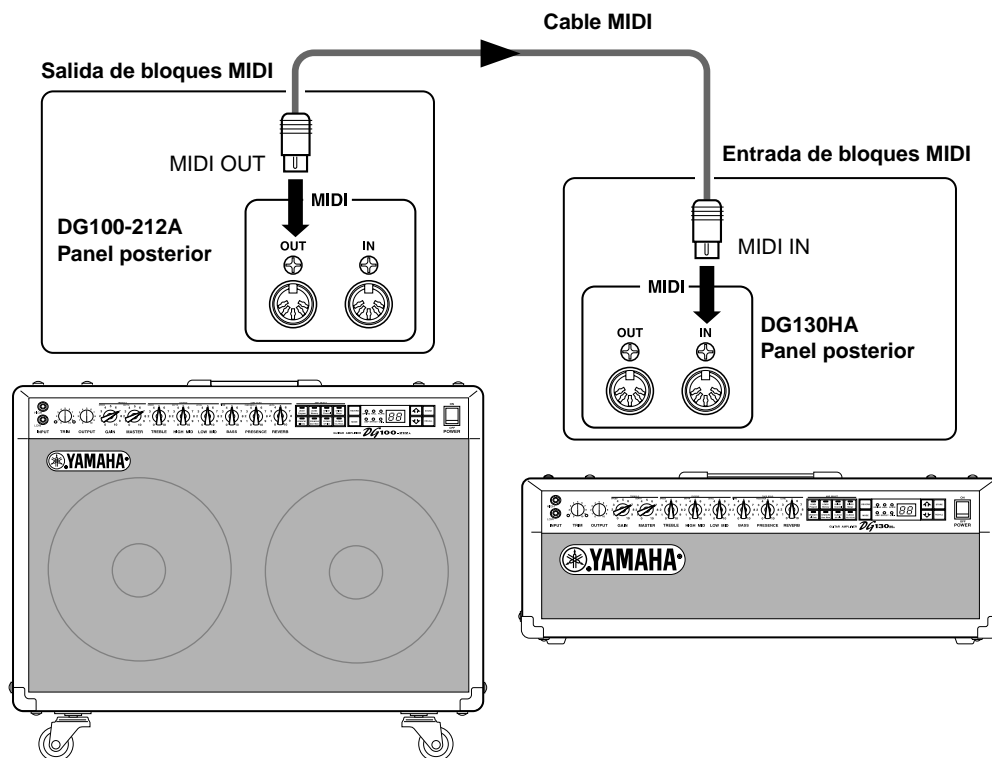
1. Mantenga pulsado el botón **MODE** durante más de un segundo. Se iluminará el indicador del modo "UTIL".
2. Pulse el botón **CLEAN1**. El ajuste actual aparecerá en la pantalla.
3. Con los botones **↑** / **↓**, seleccione "ON" (activado) u "OFF" (desactivado).

■ Ajuste de la posición del pedal de volumen

Seleccione la posición deseada para controlar el volumen a través de MIDI. Para más información sobre la posición del pedal de volumen, consulte la sección "Uso de MIDI para controlar el volumen", en la página 50.

1. Mantenga pulsado el botón **MODE** durante más de un segundo. Se iluminará el indicador del modo "UTIL".
2. Pulse el botón **CLEAN2**. El ajuste actual aparecerá en la pantalla.
3. Con los botones **↑** / **↓**, seleccione la posición de control del volumen (bP, RP, Rr).

EJEMPLO: Copia de la memoria de un DG100-212A en un DG130HA



Mensajes de error

Si se produce un error durante las operaciones, en la pantalla aparecerá uno de los siguientes números de mensaje de error:

E 1: Error del motor

CAUSA: El mando de volumen no vuelve a la posición asignada una vez transcurridos 20 segundos desde el inicio de la operación de recuperación; o bien el dispositivo no reconoce la orden de recuperación.

SOLUCIÓN: Apague la unidad y llévela al establecimiento donde fue adquirida o a un Servicio Técnico de Yamaha para su reparación.

E 2: Búfer de recepción MIDI lleno

CAUSA: El amplificador DG está recibiendo demasiados datos MIDI al mismo tiempo.

SOLUCIÓN: Intente reducir la cantidad de datos enviados, o fragmente los datos en bloques más pequeños.

E 3: Error de comunicación

CAUSA: Se ha detectado una anomalía en la comunicación MIDI.

SOLUCIÓN: Revise todas las conexiones e inténtelo de nuevo.

E 4: Error en la suma de comprobación de la recepción de bloques

CAUSA: La suma de comprobación no concuerda con los datos de bloque MIDI recibidos.

SOLUCIÓN: Revise todas las conexiones y los datos, e inténtelo de nuevo.

E 5: Anomalía en los datos de la recepción de bloques

CAUSA: Se ha detectado una anomalía en los datos de bloque MIDI recibidos.

SOLUCIÓN: Revise todas las conexiones y los datos, e inténtelo de nuevo.

E 6: Error en la pila de seguridad

CAUSA: Pila de seguridad agotada.

SOLUCIÓN: El uso reiterado de la unidad ocasionará la pérdida de datos. Entregue la unidad en el establecimiento donde fue adquirida o encargue su sustitución al Servicio Técnico de Yamaha.

Especificaciones

Sección digital

- DSP total
- Preajuste interno de 8 canales
- Reverberación digital (SPRING/HALL/PLATE)
- Efectos digitales (trémolo, coros, eco de cinta)
- Simulador de altavoz (LINE OUT)

Sección analógica

- DG100-212A:** Etapa de potencia de estado sólido de 100 W (4 Ω)
Altavoz de 30 cm (Celestion Vintage 30) x 2
- DG80-210A:** Etapa de potencia de estado sólido de 80 W (8 Ω)
Altavoz de 25 cm (V10-60) x 2
- DG80-112A:** Etapa de potencia de estado sólido de 80 W (8 Ω)
Altavoz de 30 cm (Celestion G12H-100) x 1
- DG130HA:** Etapa de potencia de estado sólido de 130 W (4 Ω)


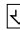
Función MIDI

- Recepción:** cambio de programa, cambio de control (núm. 7, 91, 92, 93, 94), entrada de bloques.
- Transmisión:** salida de bloques, salida de fusión

Controladores/Interruptores

- Panel frontal:** TRIM, OUTPUT, GAIN (TREMOLO SPEED), MASTER (TREMOLO DEPTH), TREBLE (CHORUS SPEED), HIGH MID (CHORUS DEPTH), LOW MID (CHORUS LEVEL), BASS (TAPE ECHO TIME), PRESENCE (TAPE ECHO FEED BACK), REVERB (TAPE ECHO LEVEL)

Panel posterior: volumen LINE OUT, EFFECT BLEND

- Interruptores:** AMP SELECT (LEAD1, LEAD2, DRIVE1, DRIVE2, CRUNCH1, CRUNCH2, CLEAN1, CLEAN2), REVERB, MODE, , , STORE, RECALL

Pantalla

- Pantalla de diodos AMP SELECT x 8
- Pantalla de diodos MODE x 3
- Pantalla de tipo de REVERB x 3
- Pantalla de diodos de 7 segmentos x 2 dígitos

Indicadores

- Pantalla de diodos de nivel de preganancia (verde)
- Pantalla de diodos de saturación de preganancia (rojo)

Conexión

- INPUT HIGH/LOW: monofónico estándar "phono"
- SPEAKER (DG100-212A: x1, DG80-210A: x2, DG80-112A: x2, DG130HA: x2): monofónico estándar "phono"
- EFFECT SEND/RETURN: monofónico estándar "phono"
- LINE OUT: Cannon
- MIDI IN, MIDI OUT: DIN de 5 contactos

Convertidor A/D 20 bits

Convertidor D/A 20 bits

Frecuencia de muestreo 48 kHz

Números de memoria 128

Nivel/Impedancia de entrada

- INPUT HIGH: -30 dBm (THRU) / 1 MΩ
- INPUT LOW: -20 dBm (THRU) / 1 MΩ
- EFFECT RETURN: 0 dBm / 120 kΩ

Nivel/Impedancia de salida

DG100-212A

- SPEAKER: 100 W RMS / 4 Ω
- LINE OUT: +4 dBm / 600 Ω
- EFFECT SEND: 0 dBm / 2,2 kΩ

DG80-210A/DG80-112A

- SPEAKER: 80 W RMS / 8 Ω, 100 W RMS / 4 Ω
- LINE OUT: +4 dBm / 600 Ω
- EFFECT SEND: 0 dBm / 2,2 kΩ

DG130HA

- SPEAKER: 130 W RMS / 4 Ω
- LINE OUT: +4 dBm / 600 Ω
- EFFECT SEND: 0 dBm / 2,2 kΩ

Alimentación

- Modelos Canadá y EE.UU.: 120 V, 60 Hz
- Modelo general: 230 V, 50 Hz

Consumo

- DG100-212A:** 100 W
- DG80-210A:** 100 W
- DG80-112A:** 100 W
- DG130HA:** 140 W

Dimensiones (anch. x alt. x prof.)

- DG100-212A:** 712 x 574 x 284 mm con ruedas
- DG80-210A:** 595 x 471 x 284 mm
- DG80-112A:** 542 x 510 x 284 mm
- DG130HA:** 711 x 250 x 284 mm

Peso

- DG100-212A:** 33,5 kg
- DG80-210A:** 26,0 kg
- DG80-112A:** 25,0 kg
- DG130HA:** 18,0 kg

* Las especificaciones y el diseño están sujetos a modificación sin previo aviso.

Uso de la caja de altavoz S412V/S112

S412V

El modelo S412V está equipado con cuatro altavoces Celestion "Vintage 30".

- * La potencia nominal es de 240 W. Utilice una cabeza de amplificador con una potencia de salida menor de 240 W.
- * La impedancia es de 8 Ω. Compruebe la impedancia de la cabeza de amplificador y asegúrese de que cumple las especificaciones del altavoz.
- * Si utiliza más de dos altavoces, compruebe que la impedancia total cumple las especificaciones de la cabeza de amplificador. Consulte la sección "Conexión de altavoces" en la página 47.

■ Especificaciones

Altavoces	Altavoz de 30 cm (Celestion "Vintage 30") x 4
Potencia nominal	240 W
Impedancia	8 Ω
Dimensiones (anch. x alt. x prof.)	765 x 820 x 359 mm (con ruedas)
Peso	44,0 kg (con ruedas)
Accesorios	Cable de altavoz

● Altavoz

Tamaño del altavoz	30 cm (12")
Tamaño de la bobina de voz	44ø mm
Imán	Ferrita de 1,42 kg
Margen de frecuencias	70 Hz – 5 kHz
Sensibilidad	100 dB (1 m/W)
Potencia nominal	60 W (RMS)
Impedancia nominal	8 Ω
Frecuencia fundamental	70 Hz

* Las especificaciones y el aspecto externo están sujetos a modificación sin previo aviso.

S112

El modelo S112 está equipado con un altavoz Celestion "G12H-100".

- * La potencia nominal es de 100 W. Utilice una cabeza de amplificador con una potencia de salida menor de 100 W.
- * La impedancia es de 8 Ω. Compruebe la impedancia de la cabeza de amplificador y asegúrese de que cumple las especificaciones del altavoz.
- * Si utiliza más de dos altavoces, compruebe que la impedancia total cumple las especificaciones de la cabeza de amplificador. Consulte la sección "Conexión de altavoces" en la página 47.

■ Especificaciones

Altavoces	Altavoz de 30 cm (Celestion "G12H-100") x 1
Potencia nominal	100 W
Impedancia	8 Ω
Dimensiones (anch. x alt. x prof.)	542 x 510 x 284 mm
Peso	16,0 kg
Accesorios	Cable de altavoz

● Altavoz

Tamaño del altavoz	30 cm (12")
Tamaño de la bobina de voz	44ø mm
Imán	Ferrita de 1,42 kg
Margen de frecuencias	82 Hz – 5,5 kHz
Sensibilidad	100 dB (1 m/W)
Potencia nominal	100 W (RMS)
Impedancia nominal	8 Ω
Frecuencia fundamental	82 Hz

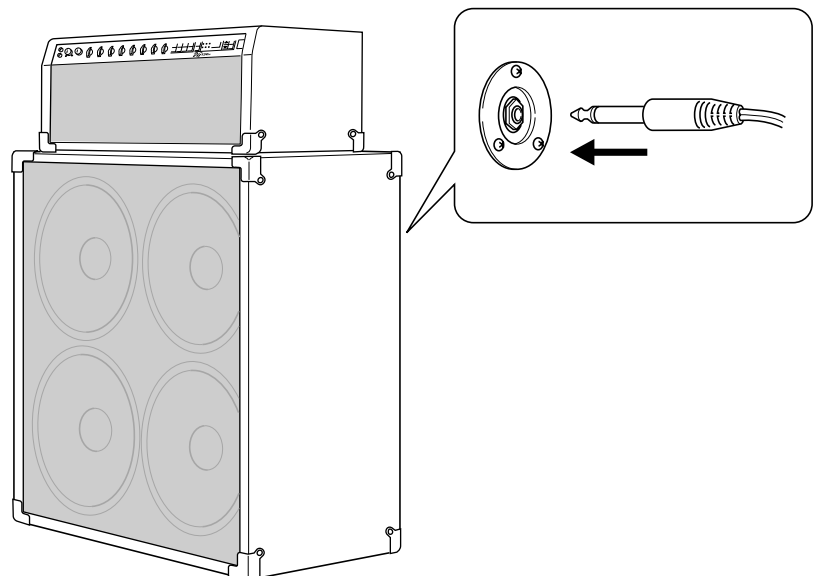
* Las especificaciones y el aspecto externo están sujetos a modificación sin previo aviso.

■ Conexión

1. Apague el amplificador y ajuste el volumen a "0".

* Si conecta el altavoz con el amplificador encendido o el volumen alto, puede dañar el altavoz o el amplificador.

2. Utilice el cable de altavoz suministrado para conectar el terminal "phono" de la parte posterior de la caja S412V/S112 a la salida de altavoz de la cabeza de amplificador (conector SPEAKER del amplificador de la serie DG).



AMPLIFICATORE PER CHITARRA

DG100-212A

DG80-210A

DG80-112A

UNITÀ AMPLIFICAZIONE

DG130HA

ALTOPARLANTI

S412V

S112

Manuale di Istruzioni

Grazie per avere acquistato un amplificatore per chitarra Yamaha serie DG.

Gli amplificatori digitali per chitarra serie DG sono stati progettati e sviluppati grazie all'elevata tecnologia Yamaha e sono in grado di produrre tutta la potenza sonora di un amplificatore a valvole offrendo però una stabilità assolutamente eccellente. Grazie ad otto diversi tipi di impostazioni amp tra cui scegliere, gli amplificatori per chitarra serie DG vi consentono di creare una grande varietà di suoni personalizzati. Nella memoria interna è possibile memorizzare un totale di 128 impostazioni sonore liberamente richiamabili usando i pulsanti di pannello o un controller MIDI a pedale. Gli amplificatori serie DG sono dotati di quattro effetti digitali incorporati (riverbero, tremolo, coro ed effetto eco) utilizzabili per aggiungere colore alle vostre creazioni tonali e di uno speaker simulator che aggiunge al segnale in uscita una realistica simulazione di altoparlante. L'elevata qualità e la semplicità di utilizzo dei controlli di questi amplificatori vi consentiranno di creare infiniti colori tonali.

S412V è dotato di quattro altoparlanti Celestion "Vintage 30" da 30 cm ed ha una potenza di 240 watt.

S112 è dotato di un altoparlante Celestion "G12H-100" da 30 cm ed ha una potenza di 100 watt.

Per ottenere dal vostro amplificatore per chitarra serie DG i migliori risultati e la massima durata nel tempo, vi invitiamo a leggere attentamente il presente manuale e a conservarlo per qualsiasi riferimento futuro.

DG100-212A/DG80-210A/DG80-112A/DG130HA

Avvertenze 57

Controlli 58

- Pannello frontale 58
- Pannello posteriore 59

Collegamento degli altoparlanti 60

- Per il DG100-212A 60
- Per il DG80-210A/DG80-112A 60
- Per il DG130HA 60

Come usare il vostro amplificatore serie DG 61

- Innanzitutto, ottenete il suono 61
- Regolate il controllo TRIM 61
- Impostazione del suono 61
- Impostazione del riverbero 61
- Impostazioni effetti (tremolo, cori ed effetto eco) 61

Richiamo e memorizzazione dei programmi 62

- Richiamare le impostazioni memorizzate (RECALL) ... 62
- Memorizzare le impostazioni (STORE) 62

Funzioni MIDI e accessorie 63

- Richiamare le memorie tramite MIDI 63
- Controllare il volume tramite MIDI 63
- Controllo del riverbero, del tremolo, del coro e dell'eco via MIDI 63
- Simulatore di altoparlante (speaker simulator) 63

Modalità Utility 64

- Creare una tabella di program change 64
- Impostare il canale MIDI di ricezione 64
- Attivare la funzione MIDI Merge 64
- MIDI Bulk Out 64
- MIDI Bulk In 64
- Trasmissione/Ricezione MIDI tra amplificatori serie DG ... 65
- Attivare/disattivare il simulatore di altoparlante (speaker simulator) 65
- Impostare la posizione del controllo di volume MIDI 65

Messaggi di errore 66

Specifiche tecniche 67

Tabella di implementazione MIDI 82

Lista Patch 83

S412V/S112

Utilizzo dell'S412V/S112 68

Avvertenze

- Per prevenire eventuali danni, evitate di utilizzare amplificatore e altoparlante nei seguenti condizioni:
 - luoghi direttamente esposti al sole o accanto ad apparecchi che generano calore.
 - luoghi soggetti a temperature estremamente fredde o calde.
 - luoghi soggetti a livelli estremi di umidità o polvere.
 - luoghi soggetti a forti urti o vibrazioni.
- Prima di eseguire qualsiasi collegamento, disattivate l'amplificatore e tutte le apparecchiature esterne (OFF).
- Per proteggere gli altoparlanti da possibili danni, impostare sempre la manopola OUTPUT su "0" prima di accendere o spegnere l'apparecchio.
- Prima di collegare/scollegare un altoparlante assicurarsi di spegnere l'apparecchio.
- Non applicare eccessiva forza ai controlli ed agli interruttori.
- Questo amplificatore per chitarra è uno strumento musicale di precisione. È necessario maneggiarlo con cura ed evitare cadute ed altri maltrattamenti.
- Durante l'utilizzo, il livello di temperatura tenderà ad alzarsi. Assicuratevi che l'amplificatore venga usato in un luogo ben ventilato. Il DG130HA dovrebbe essere posizionato ad una distanza minima dal muro di 30 cm per ogni lato.
- Per sicurezza, staccare sempre la spina di alimentazione dalla presa di corrente alternata in caso di fulmini.
- Per evitare di captare rumori indesiderati, posizionare l'amplificatore lontano da illuminazioni al neon e luci fluorescenti.

- Per evitare danni e rischi di scossa elettrica, non aprire in nessun caso l'apparecchio per accedere ai circuiti interni.
- Non utilizzare mai per la pulizia benzene o solventi: gli agenti chimici contenuti possono causare alla verniciatura danni o perdita di colore. Usare sempre un panno soffice e asciutto per rimuovere polvere e sporcizia.

La batteria di Backup (Amplificatori per chitarra serie DG)

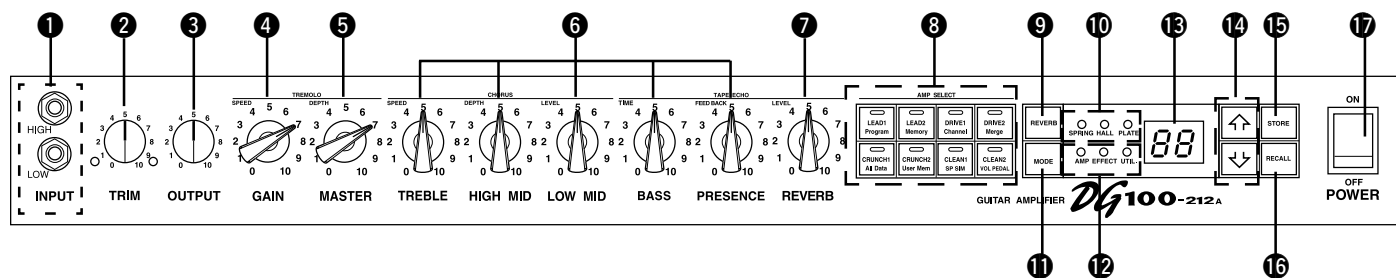
Per prevenire la perdita dei dati interni (impostazioni) anche nel caso venga scollegato il cavo di alimentazione, questi amplificatori sono dotati di una batteria di backup al litio. I dati interni andranno perduti solo nel caso la batteria sia esaurita. Vi consigliamo quindi di memorizzare i dati su un'unità di registrazione dati esterna come il Data Filer MDF3 Yamaha (vedi pag. 64), o di conservare una traccia scritta delle vostre impostazioni. La durata media della batteria è di circa 3 anni. Per la sostituzione è necessario rivolgersi al rivenditore presso il quale è stato acquistato il prodotto o ad un centro di assistenza tecnica qualificato.

- Non cercate di sostituire personalmente la batteria di backup.
- Tenete la batteria di backup fuori dalla portata dei bambini.
- Quando la batteria è esaurita, a display apparirà la scritta "E5". I dati interni potrebbero andare perduti.
- I dati potrebbero andare perduti se l'unità viene utilizzata in modo non corretto o in caso di riparazioni.

Controlli

■ Pannello frontale

* In figura é rappresentato il DG100-212A.



1 Ingresso (INPUT HIGH, LOW)

Collegare la chitarra a questo ingresso. Per chitarre con elevato livello di uscita è da preferirsi il jack LOW, per chitarre con basso livello di uscita è consigliabile il jack HIGH.

* Spegnere l'amplificatore prima di collegare la chitarra.

2 Livello di ingresso (TRIM)

È utilizzato per ottimizzare il livello di ingresso del preamplificatore rispetto al livello di uscita della chitarra utilizzata (vedi pag. 61).

* La regolazione del controllo TRIM non è conservata all'interno delle singole memorie.

3 Livello di uscita (OUTPUT)

Controlla il livello di uscita dell'amplificatore di potenza. Imposta il livello del suono creato tramite i controlli GAIN, MASTER e le regolazioni di tono del preamplificatore. Il controllo opera sul volume senza influire sulla risposta timbrica dell'amplificatore.

* La regolazione del controllo OUTPUT non è conservata all'interno delle singole memorie.

* La regolazione del controllo OUTPUT non ha effetto sul livello del segnale inviato all'uscita linea (LINE OUT 2).

4 Guadagno (GAIN)

Determina l'intensità della distorsione prodotta.

* Se il controllo GAIN è impostato su 0 non viene prodotto alcun suono, indipendentemente dalla posizione del controllo MASTER 5.

Quando Effect Mode è attivato, la manopola GAIN può venire usata per regolare il parametro SPEED del tremolo (vedi pag. 61).

5 Master (MASTER)

Controlla il livello generale a valle dei controlli di guadagno e di tono insieme al livello di uscita della sezione preamplificatore.

* La regolazione del controllo MASTER è conservata all'interno delle singole memorie.

Quando Effect Mode è attivato, la manopola MASTER può venire usata per regolare il parametro DEPTH del tremolo (vedi pag. 61).

6 Controlli di tono (TREBLE, HIGH MID, LOW MID, BASS, PRESENCE)

Controllano i livelli delle rispettive frequenze. Quando Effect Mode è attivato, si possono regolare i seguenti parametro (vedi pag. 61):

- TREBLE, HIGH MID, LOW MID → SPEED, DEPTH, LEVEL di coro
- BASS, PRESENCE → TIME, FEED BACK di eco a nastro

7 Livello del riverbero (REVERB)

Controlla la quantità di riverberazione (vedi pag. 61). Quando la modalità "EFFECT" è attivata, la manopola REVERB determina l'impostazione di LEVEL dell'effetto eco (vedi pag. 61).

8 Selettori del tipo di amplificatore/indicatori di selezione (LEAD 1, 2/DRIVE 1, 2/CRUNCH 1, 2/CLEAN 1, 2)

Permettono la selezione di uno degli otto tipi di amplificatori disponibili. Il tipo di amplificatore correntemente selezionato è indicato dalla spia relativa (vedi pag. 61).

Quando la modalità "UTILITY" è attivata, questi selettori controllano le impostazioni MIDI, l'attivazione/disattivazione del simulatore di speaker, ecc. (vedi pag. 64).

* Quando viene premuto uno dei selettori del tipo di amplificatore, le manopole da 4 a 6 ritornano ai valori preimpostati (GAIN e MASTER = 7; controlli di tono = 5). La posizione della manopola REVERB non viene modificata.

9 Selettore del tipo di riverbero (REVERB)

10 Indicatori di selezione del tipo di riverbero (SPRING, HALL, PLATE)

Premere il pulsante [REVERB] per selezionare il tipo di riverbero. Il tipo selezionato viene evidenziato dalla spia relativa (vedi pag. 61).

11 Selettore MODE

12 Indicatori del Mode selezionato (AMP/EFFECT/UTIL.)

Il Mode (modalità operativa) attualmente selezionato è evidenziato dalla spia relativa.

• AMP

La normale modalità di esecuzione dell'amplificatore. Tutti i controlli e i pulsanti agiscono come indicato sul pannello (le manopole a doppia funzione funzionano come segnalato dall'indicazione inferiore). Questa modalità è automaticamente selezionata ogni volta che viene richiamata una memoria.

• EFFECT (vedi pag. 61)

La modalità di impostazione dell'effetto (tremolo, coro o eco a nastro). Per passare dalla modalità "AMP" alla modalità "EFFECT", premere brevemente una singola volta il pulsante [MODE].

• UTIL. (vedi pag. 64)

La modalità "UTILITY" è utilizzata per impostare le funzioni MIDI e per attivare/disattivare la simulazione di altoparlante. Per passare alla modalità "UTILITY" dalle modalità "AMP" o "EFFECT", tenere premuto per circa un secondo il pulsante [MODE].

13 Display

Indica numeri di memoria, di Program Change MIDI, di canale MIDI, ecc..



14 Pulsanti "freccia"

Incrementano e decrementano i numeri di memoria oppure i valori dei parametri. In modalità "UTILITY" incrementano e decrementano i valori o attivano/disattivano le funzioni. Quando i pulsanti sono tenuti premuti, i valori cambiano con continuità.

15 Pulsante STORE

Premendo questo pulsante le regolazioni effettuate vengono salvate in una delle memorie interne (vedi pag. 62). Inoltre, il pulsante è utilizzato per le operazioni di MIDI Bulk Dump (vedi pag. 64).

16 Pulsante RECALL

Premendo questo pulsante vengono richiamate le impostazioni salvate in una delle memorie interne. Utilizzare i pulsanti "freccia"   per selezionare un numero di memoria (01 - 128), poi premere il pulsante [RECALL] per richiamare le impostazioni salvate. (vedi pag. 62).

17 Interruttore (POWER)

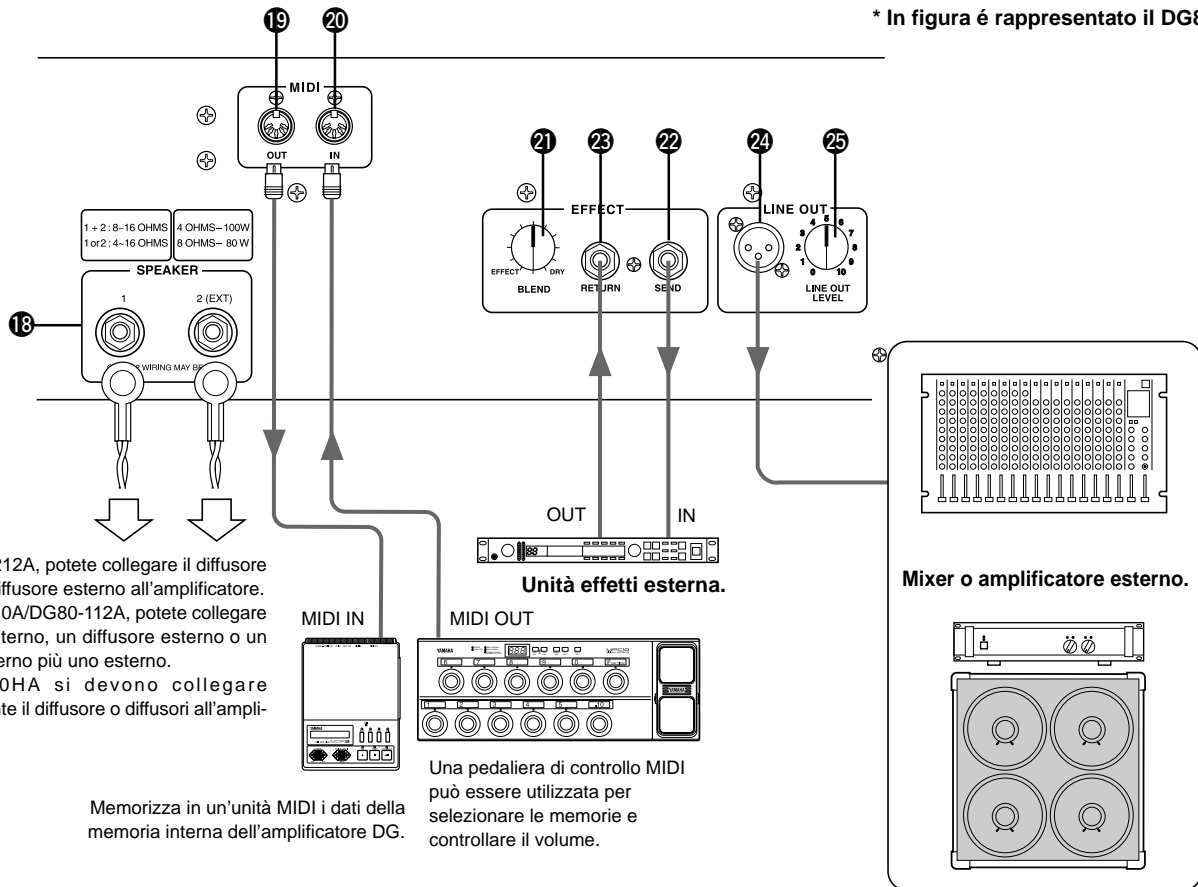
L'interruttore di alimentazione per l'amplificatore.

* Per proteggere gli altoparlanti da possibili danni, impostare sempre il controllo OUTPUT 3 su "0" prima di accendere o spegnere l'apparecchio.

■ Pannello posteriore

Prima di effettuare qualsiasi collegamento, assicuratevi che l'amplificatore DG e tutte le unità esterne siano disattivate (OFF).

* In figura è rappresentato il DG80-112A.



18 Presa per Altoparlante (SPEAKER)

DG100-212A: L'altoparlante interno è collegato all'amplificatore.
DG80-210A/DG80-112A: Dotato di due prese per altoparlante. L'altoparlante interno è collegato alla presa SPEAKER 1.
DG130HA: Dotato di due prese per altoparlante.

Per istruzioni sul collegamento dei diffusori all'amplificatore, consultare la sezione "Collegamento dei diffusori" a pag. 60.

19 Uscita MIDI OUT

Per trasmettere i dati contenuti nella memoria interna dell'amplificatore DG possono essere poi trasmessi per la memorizzazione ad un'unità MIDI esterna. (vedi pag. 64: "MIDI Bulk Out")
 Quando la funzione MIDI Merge (vedi pag. 64) è attivata, da questo connettore sono trasmessi ad unità esterne i dati MIDI ricevuti all'ingresso MIDI IN 20 dell'amplificatore.

20 Ingresso MIDI IN

Collegate questa presa al MIDI OUT di un Controller MIDI a pedale. In questo modo potrete usare il controller a pedale esterno per controllare l'amplificatore DG. Tramite un'unità a pedale possono essere controllati selezione di memoria, volume e effetti (vedi pag. 63).
 I dati memorizzati su un'unità di storage esterna possono essere ricaricati nella memoria interna di qualsiasi amplificatore DG. (vedi pag. 64).

21 Miscelazione effetti (EFFECT BLEND)

22 Mandata effetti (EFFECT SEND)

23 Ritorno effetti (EFFECT RETURN)

Un'unità effetti esterna può essere inserita sul percorso del segnale utilizzando i jack SEND/RETURN. Questo permette un ulteriore processamento del suono generato dall'amplificatore. Usate la manopola BLEND per controllare il livello di bilanciamento tra il suono dell'unità effetti esterna (EFFECT) ed il suono creato dall'amplificatore DG (DRY). Ruotando il controllo completamente in posizione EFFECT è possibile sentire solamente il suono proveniente dall'unità effetti. Ruotando il controllo completamente in posizione DRY è possibile sentire solamente il suono diretto dell'amplificatore, privo di colorazioni aggiunte dall'unità effetti esterna.

* Inserendo uno spinotto nel connettore RETURN il circuito interno viene interrotto. Il segnale di ritorno dall'unità effetti entra nel circuito in questo punto e da qui è inviato all'amplificatore di potenza e all'altoparlante. Quando il connettore RETURN non è utilizzato, il controllo BLEND non ha alcun effetto.

Il connettore SEND può essere anche utilizzato come uscita del preamplificatore, e il connettore RETURN come ingresso dell'amplificatore di potenza.

24 Uscita linea (LINE OUT)

25 Livello di uscita linea (LINE OUT LEVEL)

Lo stesso segnale inviato all'uscita per altoparlante SPEAKER OUT 18 è inviato all'uscita linea LINE OUT a livello linea (+4 dBm / 600 ohm). L'amplificatore è inoltre dotato di un simulatore di altoparlante (per attivare/disattivare il simulatore di speaker vedi pag. 65). Il livello di uscita può essere controllato tramite la manopola LINE OUT LEVEL. Il segnale di linea può essere inviato ad un mixer oppure ad un amplificatore esterno.

Collegamento degli altoparlanti

Prima di collegare gli altoparlanti alla presa/e speaker, controllate la potenza e l'impedenza dell'altoparlante ed assicuratevi che siano compatibili o che rispondano ai requisiti consigliati.

■ Per il DG100-212A

L'altoparlante interno dell'amplificatore (8 Ω) è collegato alla presa speaker. Se necessario, potete scollegare l'altoparlante interno e collegare alla presa speaker un altoparlante esterno.

Quando utilizzate un altoparlante esterno, assicuratevi che l'altoparlante/i risponda ai seguenti requisiti.

- Una potenza di almeno 100 Watt ed un'impedenza di 4 – 8 Ω.

■ Per il DG80-210A/DG80-112A

L'altoparlante interno dell'amplificatore (8Ω) è collegato alla presa SPEAKER 1. La presa SPEAKER 2 (EXT) può essere usata per aggiungere un amplificatore/i esterno. Inoltre, se necessario, è possibile scollegare l'altoparlante interno per collegare due altoparlanti esterni direttamente all'amplificatore.

Quando utilizzate altoparlanti esterni, assicuratevi che rispondano ai seguenti requisiti.

● Quando viene usata una presa speaker

- Una potenza di almeno 100 Watt e un'impedenza di 4 – 16 Ω.
- L'impedenza totale per gli altoparlanti di un circuito non deve essere inferiore a 4 Ω.

● Quando vengono usate entrambe le prese speaker

- Gli altoparlanti collegati ad ogni presa devono avere una potenza di almeno 100 Watt e un'impedenza di 8 – 16 Ω.
- L'impedenza totale per gli altoparlanti di un circuito non può essere inferiore a 4 Ω.

■ Per il DG130HA

L'amplificatore è dotato di due prese speaker collegate in parallelo. Assicuratevi che gli altoparlanti rispondano ai seguenti requisiti.

● Quando viene usata una presa speaker

- Una potenza di almeno 130 Watt e un'impedenza di 4 – 16 Ω.
- L'impedenza totale per gli altoparlanti di un circuito non deve essere inferiore a 4 Ω.

● Quando vengono usate entrambe le prese speaker

- Gli altoparlanti collegati ad ogni presa devono avere una potenza di almeno 100 Watt e un'impedenza di 8 – 16 Ω.
- L'impedenza totale per gli altoparlanti di un circuito non può essere inferiore a 4 Ω.

Impedenza Totale

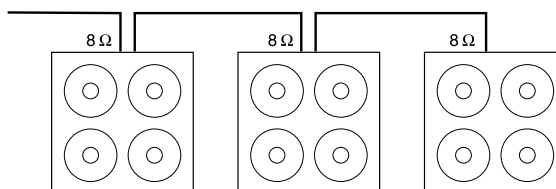
Se sono collegati due o più altoparlanti, dovrete considerare l'impedenza totale degli altoparlanti.

Normalmente gli altoparlanti hanno un'impedenza di 4, 8 o 16 Ω. Quando due o più altoparlanti vengono usati insieme, l'impedenza totale cambierà a seconda del modo in cui sono collegati.

● Collegamento in serie

L'impedenza totale equivale all'impedenza del 1° altoparlante + 2° altoparlante + 3° altoparlante + ...

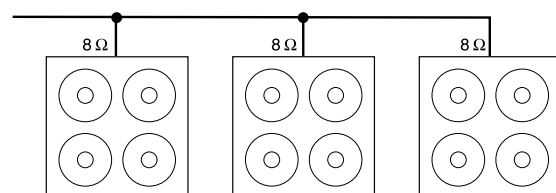
Quando tre altoparlanti sono collegati in serie, come illustrato nella figura seguente, l'impedenza totale sarà di 24 Ω.



● Collegamento in parallelo

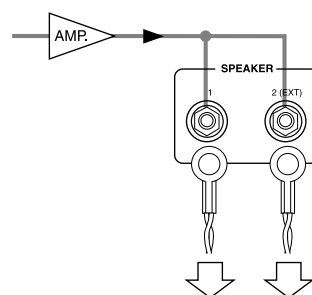
$$\text{Impedenza totale} = \frac{1}{\frac{1}{1^{\circ} \text{ altoparlante}} + \frac{1}{2^{\circ} \text{ altoparlante}} + \frac{1}{3^{\circ} \text{ altoparlante}} + \dots}$$

Quando tre altoparlanti sono collegati in parallelo, come illustrato nella figura seguente, l'impedenza totale sarà di circa 2.7 Ω.



Per il DG80-210A/DG80-112A

Le due prese speaker sono collegate internamente in un circuito in parallelo. Quindi, aggiungendo all'altoparlante interno di 8 Ω un altoparlante esterno di 4 Ω, si otterrà un'impedenza totale di 2 Ω. Per conservare un'impedenza minima di 4 Ω, è necessario usare un altoparlante esterno di 8 Ω o superiore.



Altoparlante interno 8 Ω Altoparlante esterno maggiore di 8 Ω

Come usare il vostro amplificatore serie DG

Prima di effettuare qualsiasi collegamento, assicurarsi che il DG e qualunque altra apparecchiatura esterna siano spenti.

■ Innanzitutto, ottenete il suono

1. Con l'amplificatore DG disattivato (OFF), collegate la chitarra alla presa INPUT sul pannello frontale. Per iniziare, provate ad usare la presa LOW.
2. Con la manopola OUTPUT impostata a "0", accendete l'apparecchio.
3. Come punto di partenza, impostate il livello TRIM a "5" e suonate la chitarra, alzando gradualmente il livello OUTPUT.
4. Una volta ottenuto il suono, procedete alla regolazione del livello TRIM come descritto nella seguente sezione.

■ Regolate il controllo TRIM

Il livello TRIM vi consente di impostare il livello di uscita della chitarra sul livello ottimale per la presa INPUT dell'amplificatore DG. Quando il controllo TRIM è ben regolato, sottili variazioni di tocco oppure l'attacco di una pennata decisa possono essere riprodotti con chiarezza e definizione. Un livello scorretto di TRIM può provocare rumore di fondo eccessivo, feedback oppure un suono smorzato.

* Il livello di uscita varia a seconda della chitarra utilizzata. Quando viene cambiata la chitarra, è necessario regolare nuovamente il controllo TRIM per adeguare la risposta dell'amplificatore.

* Gli ingressi HIGH e LOW sono differenti. Anche utilizzando la stessa chitarra, assicurarsi di regolare il controllo TRIM in caso di cambio di ingresso utilizzato.

* Anche quando si desidera creare distorsione, il controllo TRIM deve essere regolato correttamente e la distorsione deve essere generata tramite il controllo GAIN.

1. Impostate i controlli della chitarra al massimo e suonate in modo deciso. Iniziare a regolare il controllo TRIM, un livello ottimale si ottiene quando si accende il LED verde.

2. Continuate a ruotare in senso orario il controllo TRIM fino a quando si accende il LED rosso. Se il LED rosso non si accende, impostate il controllo TRIM a "10".

* Se il LED rosso ancora non si accende, collegare la chitarra all'ingresso HIGH INPUT e ripetere la procedura appena descritta.

■ Impostazione del suono

Scegliete uno degli otto tipi di amp preset dell'amplificatore DG e usate poi GAIN+MASTER ed i controlli di tono per modellare il suono della chitarra.

1. Scegliete un tipo di amplificatore utilizzando i selettori AMP SELECT. La spia relativa al tipo di amplificatore selezionato si accende.
2. Utilizzate i controlli GAIN, MASTER e i cinque controlli di tono per regolare la timbrica della chitarra.

SUGGERIMENTO

controllo OUTPUT e controllo MASTER

Entrambe le manopole controllano il volume di uscita. La manopola MASTER controlla il volume generale di uscita del preamplificatore. Questa regolazione è salvata in memoria. La manopola OUTPUT controlla invece il volume dell'amplificatore di potenza. Questa regolazione non è salvata in memoria. I differenti livelli di volume per le singole memorie devono essere impostati con il controllo MASTER. Il livello di uscita generale deve essere controllato tramite la manopola OUTPUT.

* Quando uno dei pulsanti AMP SELECT viene premuto, tutte le manopole (eccetto TRIM, OUTPUT e REVERB) ritornano alle loro posizioni preimpostate (GAIN e MASTER = 7; tutti i controlli di tono = 5). Per salvare le impostazioni modificate, fare riferimento alla sezione a pag. 62).

■ Impostazione del riverbero

1. Premete il pulsante REVERB per selezionare un tipo di riverberazione. Ogni volta che il pulsante REVERB è premuto, la selezione passa ciclicamente al tipo SPRING, HALL, PLATE ecc.. Il tipo di riverbero scelto è indicato dalla spia luminosa.

2. Utilizzate il controllo REVERB per regolare la quantità di effetto di riverberazione introdotto.

* Le impostazioni del riverbero (tipo di riverbero e livello) rimangono costanti anche se viene premuto un pulsante AMP SELECT per cambiare il tipo di amplificatore. Quando viene richiamato un diverso numero di memoria, anche le impostazioni del riverbero per quella particolare memoria sono richiamate.

■ Impostazioni effetti (tremolo, cori ed effetto eco)

1. Premere il pulsante [MODE] così che la spia "EFFECT" si accenda. Quando il modo "EFFECT" viene impostato per ciascuna manopola, GAIN – REVERB si porta nelle posizioni in memoria.

2. Usare le manopole GAIN – REVERB per regolare la quantità di effetto richiesta.

● Effetto di tremolo

• GAIN (SPEED: velocità del tremolo)

Imposta la velocità dell'effetto di tremolo, vale a dire la velocità con cui il volume dell'effetto aumenta e diminuisce. Ruotare la manopola verso destra per aumentare tale velocità.

• MASTER (DEPTH: profondità del tremolo)

Imposta la profondità dell'effetto di tremolo, vale a dire i limiti superiore ed inferiore della variazioni di volume. Ruotare la manopola verso destra per aumentare l'effetto.

● Effetto di coro

• TREBLE (SPEED: velocità del coro)

Regola la velocità dell'effetto di coro, vale a dire la velocità con cui l'altezza del suono aumenta e diminuisce. Ruotare la manopola verso destra per aumentare tale velocità.

• HIGH MID (DEPTH: profondità del coro)

Imposta la profondità dell'effetto di coro, vale a dire i limiti superiore ed inferiore della variazioni di altezza del suono. Ruotare la manopola verso destra per aumentare l'effetto.

• LOW MID (LEVEL: livello del coro)

Imposta il livello di missaggio dell'effetto di coro.

● Effetto di eco

• BASS (TIME: tempo dell'effetto eco)

Imposta il tempo intercorrente tra il suono diretto e la ripetizione dell'eco (la distanza nel tempo tra una ripetizione e la successiva). Ruotate la manopola in senso orario per incrementare il tempo di ritardo.

• PRESENCE (FEEDBACK)

Imposta la durata nel tempo delle ripetizioni. Ruotate la manopola in senso orario per incrementare il numero delle ripetizioni. Si consiglia cautela nella regolazione: un valore troppo elevato per questo parametro può causare troppe ripetizioni rendendo il suono incontrollabile.

• REVERB (LEVEL: intensità dell'effetto eco)

Controlla il livello dell'effetto.

3. Quando le impostazioni sono complete, premere il pulsante [MODE] o [REVERB] e la spia AMP si accende.

Ciascuna delle manopole GAIN – REVERB torna alla posizione dove si trovava prima dell'applicazione della modalità EFFECT.

* Le impostazioni dell'effetto rimangono in uso anche se il pulsante AMP SELECT viene premuto per scegliere un altro tipo di amplificatore. Quando si richiama un numero di memoria differente con la funzione "Richiamare le impostazioni memorizzate" descritta a pag. 62, le impostazioni per l'effetto di tale numero di memoria entrano in vigore.

Seguendo la procedura illustrata in questa pagina, potrete creare un suono originale (impostazioni) e memorizzarlo, insieme alle impostazioni di effetto, nella memoria interna dell'amplificatore DG per richiamarlo poi all'istante in qualsiasi momento. La procedura per il salvataggio dei dati nella memoria è descritta nella pagina seguente.

Richiamo e memorizzazione dei programmi

Questi sono dati di impostazioni preprogrammati creati da Yamaha per la serie di amplificatori serie DG e memorizzati nelle locazioni da 1 ad 80 in fabbrica (vedi in proposito la "Lista Patch" a pagina 83).

Questi dati contengono Amp Type e le sue impostazioni (GAIN, MASTER, controllo toni, riverbero, tremolo, coro e eco a nastro) che si possono richiamare a piacere ed usare un qualsiasi momento. I motorini nelle manopole le portano automaticamente nella posizione giusta. Inoltre, le impostazioni che create possono venire memorizzate (salvate) in una qualsiasi delle locazioni di memoria da 1 a 128. Dopo aver creato un suono, potete salvarlo.

■ Richiamare le impostazione memorizzate (RECALL)

Le impostazioni di suono memorizzate internamente possono essere facilmente richiamate selezionando una locazione di memoria.

Quando una memoria viene richiamata, le impostazioni correnti sono modificate e quindi perdute. Se si desidera conservare le impostazioni, utilizzare l'operazione di memorizzazione, descritta nel paragrafo precedente.

1. Premete il pulsante **[MODE]**: la spia relativa alla modalità "AMP" o "EFFECT" si accende.

2. Utilizzando i pulsanti "freccia" **[↑]** / **[↓]**, selezionate il numero della locazione di memoria che desiderate richiamare. A questo punto il numero della memoria lampeggia nel display.

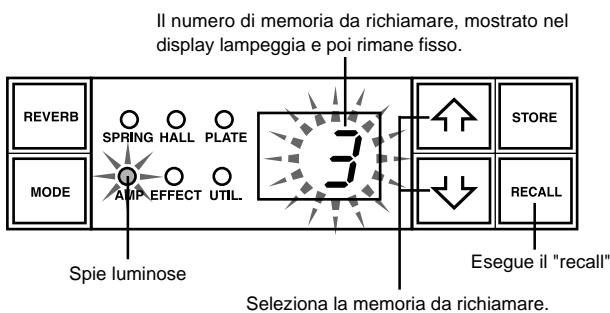
3. Premete il pulsante **[RECALL]**. Il numero di memoria lampeggiante rimane acceso fisso. Le manopole e le spie luminose della selezione di tipo di amplificatore si impostano secondo i dati richiamati dalla memoria.

* Le impostazioni e il suono non cambiano fino a quando il pulsante **[RECALL]** è premuto.

* Le impostazioni di TRIM e OUTPUT non sono modificate dall'operazione di richiamo della memoria.

* Le manopole impiegano da 1 a 10 secondi per ritornare all'impostazione memorizzata. Il suono cambia comunque istantaneamente.

* Se la manopola del volume non si posiziona secondo l'impostazione memorizzata, o l'apparecchio non verifica l'avvenuto richiamo della memoria entro 20 secondi dall'inizio della procedura, l'indicazione "E !" appare sul display. L'uso continuato dell'apparecchio in queste condizioni può causare incendio o scossa elettrica. Portare l'unità al negozio o al più vicino centro di assistenza Yamaha per la riparazione.



Una pedaliera MIDI o un altro tipo di apparecchio MIDI possono essere utilizzati per selezionare e richiamare le memorie. Fare riferimento alla pagina 63 per i dettagli.

■ Cancellazione del contenuto della memoria ■

Tenere premuti contemporaneamente i pulsanti **[LEAD 1]** e **[RECALL]**, portare su ON l'interruttore Power e la memoria viene riportata al suo contenuto di fabbrica.

Quando il contenuto della memoria viene cancellato, i dati nelle locazioni di memoria da 1 a 80 vengono cancellati e sostituiti con quelli della lista Patch (→pagina 83), ma anche quelli da 81 a 128 vengono riportati al loro contenuto originario. Ogni regolazione da voi fatta viene quindi perduta e raccomandiamo fortemente all'utente di salvare su di un dispositivo MIDI esterno o documentare in altro modo tali dati prima di cancellarli.

■ Memorizzare le impostazioni (STORE)

1. Utilizzando la procedura descritta a pagina 61, create un suono utilizzando uno degli otto tipi di amplificatore e i controlli posti sul pannello frontale.

* Le impostazioni relative alla modalità "Utility" non possono essere salvate in singole memorie differenti fra loro. Quando viene spento l'apparecchio, le impostazioni Utility vengono salvate in una memoria comune. Quando l'apparecchio viene acceso, le impostazioni vengono richiamate.

2. Premete il pulsante **[MODE]**: la spia relativa alla modalità "AMP" o "EFFECT" si accende.

3. Utilizzando i pulsanti "freccia" **[↑]** / **[↓]**, selezionate il numero della locazione di memoria nella quale desiderate salvare le impostazioni. A questo punto il numero di memoria lampeggia nel display.

* Premere e tenere premuti i pulsanti "freccia" per scorrere rapidamente i numeri di memoria.

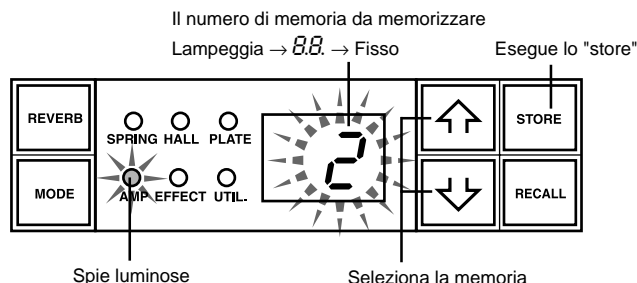
* La terza cifra per i numeri di memoria 100 — 128 è indicata dalla presenza di un punto tra le due cifre della decina e dell'unità.

Ad esempio il numero (128) è indicato con (**28**).

4. Premete e tenete premuto il pulsante **[STORE]** per circa un secondo, fino a quando l'indicazione "88" appare nel display.

Rilasciate il pulsante: il numero lampeggiante rimane acceso fisso per indicare che l'impostazione è stata salvata in memoria.

* Le impostazioni di TRIM e OUTPUT non possono essere salvate in memoria: utilizzare la manopola MASTER per memorizzare livelli differenti per parti soliste e di accompagnamento.



I dati memorizzati internamente (programmi 1 — 128) possono essere salvati su un'unità esterna per il salvataggio di dati MIDI. Riferirsi a pagina 64 per i dettagli.

SUGGERIMENTO

salvataggio dei dati e numeri di memoria

Nella memorizzazione dei dati nei differenti numeri di memoria, è possibile dividere le memorie da 1 a 128 in diversi gruppi.

Richiamare le memorie da questi gruppi può risultare molto più comodo. Per esempio è possibile:

- Creare gruppi secondo il tipo di amplificatore utilizzato (LEAD 1, DRIVE 1, ecc.).
- Creare gruppi basati sul tipo di suono (distorsione, pulito, ecc.).
- Creare gruppi basati sulla scaletta per l'esecuzione dal vivo.
- Creare gruppi basati sul tipo di chitarra utilizzato (humbucker, ecc.).

Una buona idea è quella di tenere a portata di mano una lista dei suoni memorizzati nelle varie locazioni di memoria.

Funzioni MIDI e accessorie

I comandi MIDI possono venire usati per scegliere numeri di locazioni di memoria, controllare il riverbero, il tremolo, il coro e l'eco a nastro, e regolare il volume dell'amplificatore DG.

Un simulatore di altoparlante può essere applicato al segnale di uscita linea.

Cos'è il MIDI?

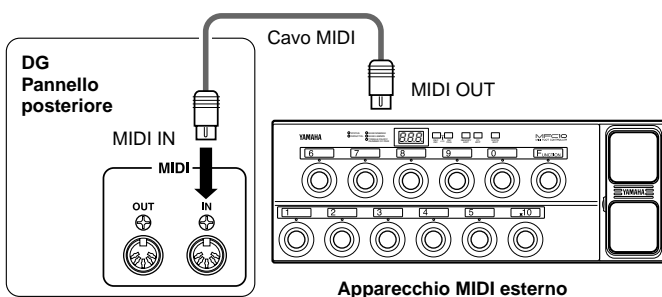
La sigla MIDI sta per Musical Instrument Digital Interface, ovvero Interfaccia Digitale per Strumenti Musicali. Si tratta di un'interfaccia di comunicazione, divenuta uno standard a livello mondiale, che permette a strumenti musicali, computer e altri apparecchi MIDI compatibili di scambiare informazioni e di controllarsi reciprocamente indipendentemente dal tipo e dal produttore dello strumento.

Richiamare le memorie tramite MIDI

E' possibile utilizzare i messaggi di program change inviati dal controller MIDI a pedale MFC10 Yamaha, etc. o da un'unità MIDI esterna per richiamare le impostazioni contenute nella memoria dell'amplificatore DG.

1. Con un cavo MIDI, collegate il MIDI IN dell'amplificatore DG al MIDI OUT dell'unità MIDI esterna.

* Utilizzare esclusivamente un cavo MIDI standard di lunghezza inferiore a 15 metri. Un cavo di lunghezza superiore può causare malfunzionamenti.



2. Impostate il canale di ricezione MIDI dell'amplificatore DG e il canale di trasmissione MIDI dell'unità esterna sullo stesso numero di canale MIDI (numero di canale preset: 1).

→ Per la procedura di impostazione vedere a pagina 64 la sezione "Impostare il canale MIDI di ricezione".

3. Create una tabella di program change *1 (l'impostazione di fabbrica prevede: numero di program change = numero di memoria).

→ Per la procedura di impostazione vedere a pagina 64 la sezione "Creare una tabella di program change".

*1 Per esempio il numero di program change 1 ricevuto, richiama il numero di memoria 5 dell'amplificatore DG. Per ottenere questo, il programma change deve essere assegnato alla memoria desiderata.

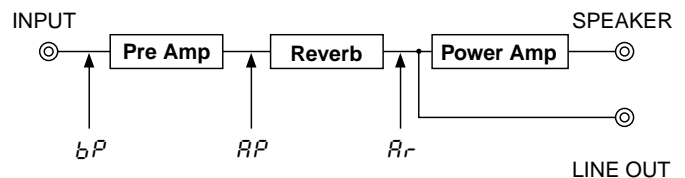
4. Quando il messaggio di cambio programma (program change) è inviato dall'apparecchio esterno, l'impostazione memorizzata nelle locazione di memoria assegnata a quel particolare program change viene richiamata.

* Per istruzioni su come trasmettere messaggi di program change, consultare il manuale dell'apparecchiatura MIDI esterna utilizzata.

Controllare il volume tramite MIDI

E' possibile controllare il volume generale dell'amplificatore DG da un'unità MIDI esterna usando un messaggio di control change numero 7 (main volume) inviato dal MIDI OUT di un'unità MIDI esterna al MIDI IN dell'amplificatore DG. Collegando una pedaliera Yamaha MIDI Foot Controller MFC10 oppure un apparecchio MIDI dotato di pedale, potete utilizzare il pedale per controllare con continuità il volume durante l'esecuzione. Potete inoltre assegnare il controllo di volume a tre diverse posizioni all'interno del circuito.

- "bP": sta per Before Pre Amp. Il controllo di volume è a monte del preamplificatore.
- "AP": sta per After Pre Amp. Il controllo di volume è a valle del preamplificatore.
- "Ar": sta per After Reverb. Il controllo di volume è a valle del riverbero.



1. Seguendo le procedure (punti 1 e 2) descritte nella precedente sezione "Richiamare le memorie tramite MIDI" collegate l'apparecchio MIDI esterno e impostate i canali MIDI di trasmissione e ricezione.

2. Selezionate la posizione del controllo di volume.

→ Per la procedura vedere a pagina 65 la sezione "Impostare la posizione del controllo di volume MIDI".

3. In questa condizione, i dati di control change numero 7 trasmessi da un'unità MIDI esterna, controlleranno il volume dell'amplificatore DG.

* L'amplificatore DG non accetta control change MIDI di numero diverso da 7 e non compreso fra 91 e 94.

* Per ulteriori informazioni sulla trasmissione di dati di controllo, fare riferimento al manuale della propria apparecchiatura esterna MIDI.

* Anche se viene richiamata una nuova memoria, il controllo di volume generale, operato tramite MIDI, non viene modificato.

* Quando l'amplificatore viene acceso, il controllo di volume generale, operato tramite MIDI, è impostato al livello massimo.

* Se il volume generale è impostato tramite MIDI a un livello basso, e l'apparecchio MIDI esterno viene poi scollegato, il livello generale può rimanere regolato in modo da risultare insufficiente. In questo caso è necessario trasmettere un nuovo controllo di volume, oppure spegnere e riaccendere l'amplificatore.

Controllo del riverbero, del tremolo, del coro e dell'eco via MIDI

Il livello di riverbero (No. 91), la profondità del tremolo (No. 92), il livello del coro (No. 93) ed il livello dell'eco (No. 94) possono venire controllati trasmettendo messaggi di controllo dalla presa di uscita MIDI OUT di un dispositivo MIDI mandandoli a quella MIDI IN dell'amplificatore della chitarra DG.

1. Collegare un dispositivo MIDI nel modo descritto alle pagine 1 e 2 della sezione "Richiamare le memorie tramite MIDI" di questa pagina ed impostare il canale di ricezione MIDI.

2. Trasmettere il numero di cambiamento del controllo parametri dal dispositivo esterno MIDI e si potranno controllare i parametri elencati qui sopra.

* Per maggiori informazioni sulla trasmissione di dati di cambiamento dei controlli, consultare il manuale del dispositivo MIDI esterno.

Simulatore di altoparlante (speaker simulator)

Lo speaker simulator dell'amplificatore DG fornisce il segnale di linea simulando in modo estremamente realistico il suono naturale di un altoparlante. Il simulatore di altoparlante può essere utilizzato sul segnale di linea per il collegamento con un mixer o un registratore.

→ Per la procedura di impostazione vedere più avanti la sezione "Attivare/disattivare il simulatore di altoparlante".

Modalità Utility

La modalità "Utility" è utilizzata per l'impostazione delle funzioni MIDI, l'attivazione/disattivazione del simulatore di altoparlante e il posizionamento del controllo di volume MIDI. Per entrare in modalità Utility, premete e tenete premuto il pulsante [MODE] per oltre un secondo: la spia "UTIL." si accende. Ognuno dei parametri impostati in questa modalità resta memorizzato nella memoria interna, anche quando l'amplificatore è spento. Per uscire dalla modalità Utility, premere il pulsante [MODE]: la spia "AMP" (modalità AMP) si accende.

* Quando l'unità si trova in modalità "Utility", i messaggi MIDI in ingresso vengono ignorati: fare riferimento alle sezioni "Richiamare le memorie tramite MIDI", "Controllare il volume tramite MIDI", "Controllo del riverbero, del tremolo, del coro e dell'eco via MIDI" e "MIDI Bulk In" per eseguire le operazioni relative.

■ Creare una tabella di program change

Con questa procedura, è possibile richiamare uno specifico numero di memoria della memoria interna dell'amplificatore DG attraverso un numero di program change ricevuto da un'unità MIDI esterna.

* Impostazione di fabbrica: numero di program change MIDI = numero di memoria interna.

1. Premete e tenete premuto il pulsante [MODE] per oltre un secondo. Si accende la spia "UTIL." (modalità "Utility").
2. Premete il pulsante [LEAD 1].
3. Utilizzando i pulsanti "freccia" [↑] / [↓], selezionate il numero di program change inviato dall'unità MIDI esterna. Il numero appare nel display.
4. Premete il pulsante [LEAD 2].
5. Utilizzando i pulsanti [↑] / [↓], selezionate il numero di memoria (1 - 28) da richiamare dalla memoria interna dell'amplificatore DG. Il numero appare nel display.
6. Ripetete le operazioni da 2 a 5 secondo necessità.

■ Impostare il canale MIDI di ricezione

Impostate il canale di ricezione MIDI dell'amplificatore DG.

* Per poter trasmettere e ricevere dati tra due apparecchi MIDI, è necessario che il canale MIDI utilizzato sia lo stesso per entrambi (impostazione di fabbrica: numero di canale MIDI = 1).

1. Premete e tenete premuto il pulsante [MODE] per oltre un secondo. Si accende la spia "UTIL." (modalità "Utility").
2. Premete il pulsante [DRIVE 1]. Il canale MIDI attualmente selezionato è indicato nel display.
3. Utilizzando i pulsanti "freccia" [↑] / [↓], selezionate il canale MIDI di ricezione (1 - 15, R 1, OF).

* Con l'impostazione "R 1" è attivata la modalità MIDI "Omni".

■ Attivare la funzione MIDI Merge

Se desiderate che il segnale MIDI ricevuto al MIDI IN dell'amplificatore DG venga tra-smesso ad altre unità MIDI attraverso il MIDI OUT dell'amplificatore DG, impostate MIDI Merge su "on" (ON). In caso contrario, mantenete la funzione disattivata.

1. Premete e tenete premuto il pulsante [MODE] per oltre un secondo. Si accende la spia "UTIL." (modalità "Utility").
2. Premete il pulsante [DRIVE 2]. L'impostazione della funzione MIDI Merge è indicata nel display.
3. Utilizzando i pulsanti "freccia" [↑] / [↓], selezionate "ON" (attivata) o "OF" (disattivata).

■ MIDI Bulk Out

E' possibile effettuare un backup dei dati contenuti nella memoria interna dell'amplificatore DG, salvandoli su un'unità di storage dati MIDI esterna (es. Yamaha MDF3, etc.).

1. Con un cavo MIDI, collegate il MIDI OUT dell'amplificatore DG al MIDI IN dell'unità di storage dati MIDI esterna.
2. Premete e tenete premuto il pulsante [MODE] per oltre un secondo. Si accende la spia "UTIL." (modalità "Utility").
3. Per trasmettere tutte le memorie (128 locazioni più le impostazioni relative alla modalità "Utility"):

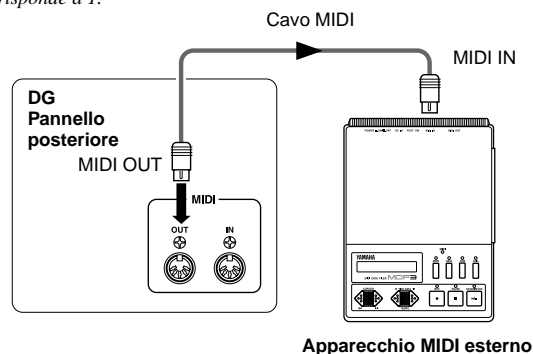
→ premete il pulsante [CRUNCH 1]. L'indicazione "R 1" appare nel display.

Per trasmettere una singola locazione di memoria:

→ premete il pulsante [CRUNCH 2]. Utilizzate i pulsanti "freccia" [↑] / [↓] per selezionare il numero di memoria (1 - 28, R 1) che desiderate salvare. Quando è selezionata l'opzione "R 1" sono trasmessi i dati relativi a tutte le 128 locazioni di memoria.

4. Premete il pulsante [STORE] per eseguire l'operazione di Bulk Out. Premete il pulsante [MODE] per cancellare l'operazione.

* Il "MIDI device number" è identico al numero di canale MIDI di ricezione. Se il canale MIDI di ricezione è impostato su "R 1", il "MIDI device number" corrisponde a 1.



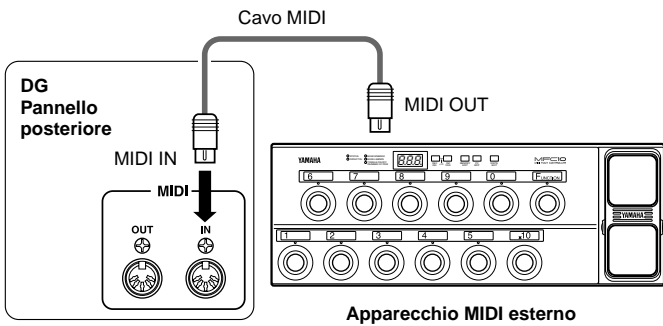
■ MIDI Bulk In

Usando un cavo MIDI, collegate il MIDI IN dell'amplificatore DG al MIDI OUT dell'unità MIDI esterna. Riportate i vostri dati di backup MIDI nell'amplificatore DG.

* L'operazione di MIDI Bulk In funziona esclusivamente in modalità "Amp" o "Effect". Non può essere eseguita in modalità "Utility".

* Il "MIDI device number" è identico al numero di canale MIDI di ricezione. Se il canale MIDI di ricezione è impostato su "R 1", il "MIDI device number" corrisponde a 1. L'amplificatore DG non riceverà dati se il canale MIDI è impostato su "OF" (OFF).

* Durante l'operazione di Bulk In, il display indica "L d" (Load).



Trasmissione/ Ricezione MIDI tra amplificatori serie DG

E' possibile usare le funzioni bulk out/ bulk in per copiare dati di setup di memoria e utility da un amplificatore per chitarra serie DG (DG100-212A/ DG80-210A/DG80-112A/ DG130HA) ad un altro.

* Assicuratevi che l'amplificatore DG ricevente sia impostato in modo AMP o EFFECT.

Attivare/disattivare il simulatore di altoparlante (speaker simulator)

Lo speaker simulator dell'amplificatore DG fornisce il segnale di linea simulando in modo estremamente realistico il suono naturale di un altoparlante. Il simulatore di altoparlante può essere utilizzato sul segnale di linea per il collegamento con un mixer o un registratore.

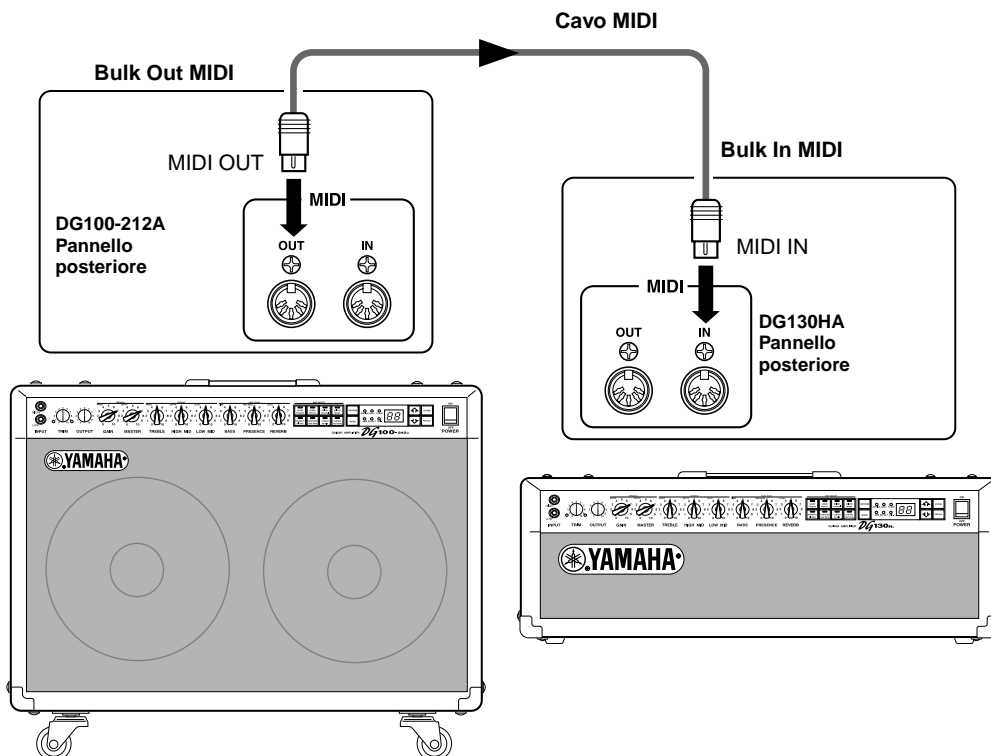
1. Premete e tenete premuto il pulsante **MODE** per oltre un secondo. Si accende la spia "UTIL." (modalità "Utility").
2. Premete il pulsante **CLEAN1**. L'impostazione della funzione è indicata nel display.
3. Utilizzando i pulsanti "freccia" **↑** / **↓**, selezionate "ON" (attivato) o "OFF" (disattivato).

Impostare la posizione del controllo di volume MIDI

Impostate il punto del circuito dal quale desiderate controllare il volume tramite MIDI (fate riferimento alla sezione "Controllare il volume tramite MIDI" a pag. 63 per ulteriori informazioni).

1. Premete e tenete premuto il pulsante **MODE** per oltre un secondo. Si accende la spia "UTIL." (modalità "Utility").
2. Premete il pulsante **CLEAN2**. L'impostazione della funzione è indicata nel display.
3. Utilizzando i pulsanti "freccia" **↑** / **↓**, selezionate la posizione per il controllo di volume.
 - "bP": sta per Before Pre Amp. Il controllo di volume è a monte del preamplificatore.
 - "AP": sta per After Pre Amp. Il controllo di volume è a valle del preamplificatore.
 - "AR": sta per After Reverb. Il controllo di volume è a valle del riverbero.

EX.) Es. Copia della memoria da un DG100-212A ad un DG130HA.



Messaggi di errore

In caso di errori di funzionamento, il display riporta uno dei seguenti messaggi:

E 1: Motor Drive Error

CAUSA: La manopola del volume non è tornata alla posizione prefissata entro 20 secondi dall'inizio della procedura di recall, oppure l'apparecchio non riconosce il comando di recall.

SOLUZIONE: Spegnere l'apparecchio e rivolgersi al rivenditore o ad un centro assistenza autorizzato Yamaha.

E 2: MIDI Receive Buffer Full

CAUSA: L'amplificatore DG ha ricevuto una quantità eccessiva di dati MIDI simultaneamente.

SOLUZIONE: Provare a ridurre la quantità di dati o dividere i dati in blocchi di dimensioni inferiori.

E 3: Communication Error

CAUSA: Si è verificata una anomalia nella comunicazione MIDI.

SOLUZIONE: Verificare tutti i collegamenti e ritentare.

E 4: Bulk Receive Check Sum Error

CAUSA: Il check sum non corrisponde ai dati MIDI Bulk ricevuti.

SOLUZIONE: Verificare tutti i collegamenti e i dati e ritentare.

E 5: Bulk Receive Data Abnormality

CAUSA: Si è verificata una anomalia nei dati MIDI Bulk ricevuti.

SOLUZIONE: Verificare tutti i collegamenti e i dati e ritentare.

E 6: Backup Battery Error

CAUSA: La batteria è esaurita.

SOLUZIONE: Ulteriore funzionamento dell'unità può comportare la perdita dei dati memorizzati. Rivolgersi al rivenditore o ad un centro assistenza autorizzato Yamaha per la sostituzione della batteria.

Specifiche tecniche

Sezione digitale

Processamento del segnale totalmente in dominio digitale
 8 canali (tipi di amplificatore) interni preselezionati
 Riverbero digitale (SPRING/HALL/PLATE)
 Effetti digitali (tremolo, coro e eco a nastro)
 Simulatore di altoparlante (SPEAKER SIMULATOR) sull'uscita linea



Sezione analogica

- DG100-212A:** Amplificatore finale di potenza solid state
 100 W (4 ohm)
 2 altoparlanti Celestion "Vintage 30"
- DG80-210A:** Amplificatore finale di potenza solid state
 80 W (8 ohm)
 2 altoparlanti "V10-60"
- DG80-112A:** Amplificatore finale di potenza solid state
 80 W (8 ohm)
 1 altoparlanti Celestion "G12H-100"
- DG130HA:** Amplificatore finale di potenza solid state
 130 W (4 ohm)

Funzioni MIDI

- Ricezione:** Program Change, Control Change (n. 7, 91, 92, 93, 94), Bulk In
- Trasmissione:** Bulk Out, Merge Out

Controlli/selettori

- Pannello Frontale :** TRIM, OUTPUT, GAIN (TREMOLO SPEED), MASTER (TREMOLO DEPTH), TREBLE (CHORUS SPEED), HIGH MID (CHORUS DEPTH), LOW MID (CHORUS LEVEL), BASS (TAPE ECHO TIME), PRESENCE (TAPE ECHO FEED BACK), REVERB (TAPE ECHO LEVEL)
- Pannello Posteriore :** LINE OUT volume, EFFECT BLEND
- Selettori :** AMP SELECT (LEAD1, LEAD2, DRIVE1, DRIVE2, CRUNCH1, CRUNCH2, CLEAN1, CLEAN2), REVERB, MODE, , , STORE, RECALL

Display

AMP SELECT display LED x 8
 MODE display LED x 3
 REVERB type display LED x 3
 Display numerico a 2 cifre (7 segmenti LED)

Indicatori

LED Trim level display (verde)
 LED Trim clip display (rosso)

Connettori

INPUT HIGH/LOW: jack mono standard
 SPEAKER (DG100-212A: x 1, DG80-210A: x 2, DG80-112A: x 2, DG130HA: x 2): jack mono standard
 EFFECT SEND/RETURN: jack mono standard
 LINE OUT: XLR
 MIDI IN, MIDI OUT: DIN 5 pin

Convertitore A/D	20 bit
Convertitore D/A	20 bit
Frequenza di campionamento	48 kHz
Locazioni di memoria	128

Ingressi: livelli / impedenza

INPUT HIGH: -30 dBm (THRU) / 1 Mohm
 INPUT LOW: -20 dBm (THRU) / 1 Mohm
 EFFECT RETURN: 0 dBm / 120 kohm

Uscite: livelli / impedenza

DG100-212A

SPEAKER: 100 W RMS / 4 ohm
 LINE OUT: +4 dBm / 600 ohm
 EFFECT SEND: 0 dBm / 2.2 kohm

DG80-210A/DG80-112A

SPEAKER: 80 W RMS / 8 ohm, 100W RMS / 4 ohm
 LINE OUT: +4 dBm / 600 ohm
 EFFECT SEND: 0 dBm / 2.2 kohm

DG130HA

SPEAKER: 130 W RMS / 4 ohm
 LINE OUT: +4 dBm / 600 ohm
 EFFECT SEND: 0 dBm / 2.2 kohm

Alimentazione 230 V, 50 Hz

Assorbimento

- DG100-212A:** 100 W
DG80-210A: 100 W
DG80-112A: 100 W
DG130HA: 140 W

Dimensioni (larg. x alt. x prof.)

- DG100-212A:** 712 x 574 x 284 mm w/Caster
DG80-210A: 595 x 471 x 284 mm
DG80-112A: 542 x 510 x 284 mm
DG130HA: 711 x 250 x 284 mm

Peso

- DG100-212A:** 33.5 kg
DG80-210A: 26.0 kg
DG80-112A: 25.0 kg
DG130HA: 18.0 kg

* Le specifiche e l'aspetto possono subire variazioni senza preavviso.

Utilizzo dell'S412V/S112

S412V

L'S412V è una cassa dotata di quattro altoparlanti Celestion "Vintage 30" da 30 cm .

- * La potenza è di 240 W. Usate una testa di amplificatore con una potenza di uscita inferiore a 240 W.
- * L'impedenza è di 8Ω. Controllate l'impedenza della testa dell'amplificatore ed assicuratevi che risponda ai requisiti dell'altoparlante.
- * Se usate più di due altoparlanti, assicuratevi che l'impedenza totale risponda ai requisiti della testa dell'amplificatore. Vedi "Collegamento degli altoparlanti" a pag. 60.

■ Specifiche Tecniche

Altoparlanti	Nr.4 altoparlanti Celestion "Vintage 30" da 30 cm
Potenza	240 W
Impedenza	8 Ω
Dimensioni (WxHxD)	765 x 820 x 359 mm
Peso	44,0 kg
Accessory	Cavo per altoparlante

● Altoparlante

Dimensioni altoparlante	30 cm
Dimensioni Voice Call	44ø mm
Magnete	Ferrite 1.42 kg
Frequenza	70 Hz – 5 kHz
Sensibilità	100 dB (1 m/W)
Potenza	60 W (RMS)
Impedenza nominale	8 Ω
Frequenza	70 Hz

* Specifiche e aspetto sono soggetti a modifica senza preavviso.

S112

L'S112 è una cassa dotata di un altoparlante Celestion "G12H-100" da 30 cm.

- * La potenza è di 100 W. Usate una testa di amplificatore con una potenza di uscita inferiore a 100 W.
- * L'impedenza è di 8 Ω. Controllate l'impedenza della testa dell'amplificatore ed assicuratevi che risponda ai requisiti dell'altoparlante.
- * Se usate più di due altoparlanti, assicuratevi che l'impedenza totale risponda ai requisiti della testa dell'amplificatore. Vedi "Collegamento degli altoparlanti" a pag. 60.

■ Specifiche Tecniche

Altoparlanti	Un altoparlante Celestion "G12H-100" da 30 cm
Potenza	100 W
Impedenza	8 Ω
Dimensioni (WxHxD)	542 x 510 x 284 mm
Peso	16,0 kg
Accessory	Cavo per altoparlante

● Altoparlante

Dimensioni altoparlante	30 cm
Dimensioni Voice Call	44ø mm
Magnete	Ferrite 1.42 kg
Frequenza	82 Hz – 5.5 kHz
Sensibilità	100 dB (1 m/W)
Potenza	100 W (RMS)
Impedenza nominale	8 Ω
Frequenza	82 Hz

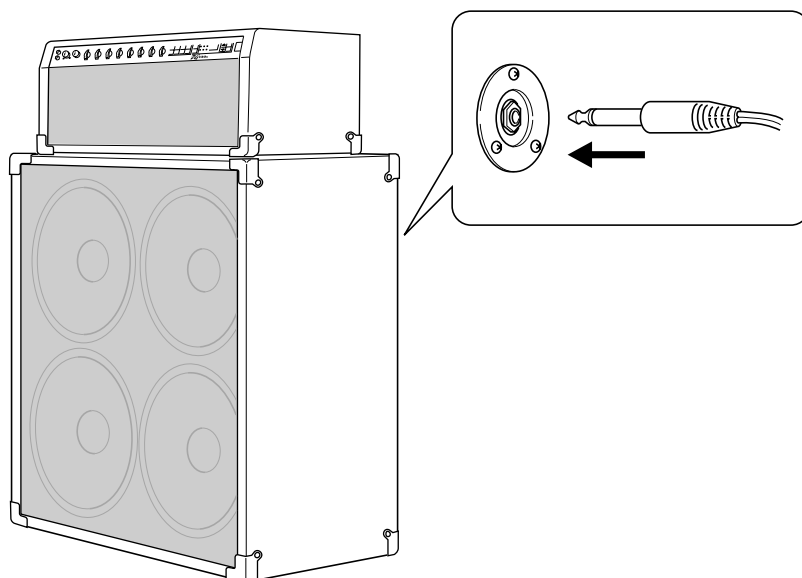
* Specifiche e aspetto sono soggetti a modifica senza preavviso.

■ Collegamento

1. Disattivate l'amplificatore (OFF) e regolate il volume su "0".

* Collegando l'altoparlante senza disattivare tutte le unità o lasciando il volume ad un livello elevato, potreste danneggiare altoparlante e/o amplificatore.

2. Usando il cavo dell'amplificatore in dotazione, collegate la presa cuffia sul pannello posteriore della cassa S412V/S112 all'uscita per altoparlanti della testa dell'amplificatore (presa SPEAKER sull'amplificatore serie DG).



GITAAR VERSTERKER

DG100-212A

DG80-210A

DG80-112A

GITAAR VERSTERKER EENHEID

DG130HA

LUIDSPREKER EENHEID

S412V

S112

Handleiding

Dank u wel voor het aanschaffen van een Yamaha DG Series Gitaar Versterker.

De DG Series Digitale Gitaar Versterker is bedacht en ontwikkeld door Yamaha. Deze digitale gitaarversterker produceert krachtige buisversterker geluiden en is extreem stabiel vergeleken met andere buisversterkers. Met acht verschillende versterker type instellingen om uit te kiezen, kunt u met de DG Series Gitaar Versterkers een groot aantal originele geluiden creëren. Totaal 128 geluidsinstellingen kunnen in het interne geheugen opgeslagen worden en vrij opgeroepen worden met de paneelknoppen of een MIDI voetpedaal. Ook zijn de DG Series Gitaar Versterkers uitgerust met vier ingebouwde digitale effecten (reverb, tremolo, chorus en tape echo) die benut kunnen worden om uw geluidscreaties verder te kleuren, terwijl een luidspreker simulator een realistische luidspreker-simulatie toevoegt aan het line out signaal. Met het hoge kwaliteitsniveau en de gemakkelijk te gebruiken knoppen kunt u een groot aantal geluidskleuren creëren.

De S412V is uitgerust met vier 30 cm Celestion "Vintage 30" luidsprekers en een vermogen van 240 watt.

De S112 is uitgerust met een 30 cm Celestion "G12H-100" luidspreker met een vermogen van 100 Watt.

Om de beste resultaten uit uw DG Series Gitaar Versterker te halen, raden wij uw aan deze handleiding zorgvuldig door te lezen en deze op een veilige plaats te bewaren zodat u er later nog eens iets in op kunt zoeken.

DG100-212A/DG80-210A/DG80-112A/DG130HA

Vorzorgsmaatregelen	70
Het bedieningspaneel	71
■ Frontpaneel	71
■ Achterpaneel	72
Luidspreker Aansluiten	73
■ Voor de DG100-212A	73
■ Voor de DG80-210A/DG80-112A	73
■ Voor de DG130HA	73
Hoe uw DG Series Versterker te gebruiken	74
■ Zorg eerst voor geluid	74
■ Wijzig het TRIM niveau	74
■ Geluidsinstellingen	74
■ Reverb Instellingen	74
■ Effect (Tremolo, Chorus, Tape Echo) instellingen	74
Oproepen en Bewaren	75
■ Geheugen Oproepen (Recall)	75
■ Store (opslaan) Instellingen	75
Gemakkelijk te Gebruiken Functies	76
■ MIDI gebruiken om een Geheugen Op te roepen	76
■ MIDI gebruiken om het Volume te Bedienen	76

■ MIDI gebruiken om de Reverb, Tremolo, Chorus en Tape Echo Effecten te bedienen	76
■ Luidspreker Simulator	76
Utility Mode	77
■ Een Program Change Table Creëren	77
■ Stel het MIDI Ontvangstkanaal in	77
■ Stel de MIDI Merge in	77
■ MIDI Bulk Out	77
■ MIDI Bulk In	77
■ MIDI Versturen/Ontvangen tussen DG series versterker ..	78
■ Luidspreker Simulator ON/OFF	78
■ Stel de Volume Pedaal Positie in	78
Foutmeldingen	79
Specificaties	80
MIDI Implementation Chart	82
Patch lijst	83

S412V/S112

De S412V/S112 gebruiken	81
-------------------------------	----

Vorzorgsmaatregelen

- Gebruik uw versterker liever niet op de volgende lokaties om eventuele schade te voorkomen:
 - In direct zonlicht of naast verwarmingselementen.
 - Extreme koude of warme lokaties.
 - Lokaties met een hoge vochtigheidsgraad of overdreven stof.
 - Lokaties die onderhevig zijn aan sterke schokken of vibraties.
- Zorg ervoor, dat de versterker en eventuele externe apparaat uitstaat, alvorens enige aansluitingen te maken.
- Zet, om de luidspreker tegen mogelijke beschadigingen te beschermen, altijd de OUTPUT knop op "0" alvorens de versterker aan te zetten.
- Zet, als u een luidspreker op de versterker aansluit, de versterker eerst uit.
- Oefen geen overdreven kracht op de schakelaars en knoppen uit.
- Uw Yamaha gitaarversterker is een precisie muziekinstrument. Behandel het met zorg, laat de versterker niet vallen en stoot hem niet.
- De werkingstemperatuur wordt hoger tijdens het gebruik. Zorg ervoor dat de versterker wordt gebruikt op een lokatie die goed geventileerd is. De DG130HA moet geplaatst worden op een positie waar er tenminste 30 cm (12") vrije ruimte is tussen de muur en de zijkant, bovenkant en achterkant van de versterker.
- Haal altijd voor de veiligheid de stroomkabel uit het stopcontact als het in uw woonomgeving onveilig is.
- Plaats de versterker niet in de buurt van neon verlichting of fluorescentie verlichting om te voorkomen dat er storing optreedt.

- Open, om schade en een mogelijke elektrische schok te voorkomen, nooit de kast en de knoei nooit met de interne elektronika.
- Gebruik nooit benzine, verdunner of andere vluchtige stoffen om de versterker schoon te maken, aangezien deze chemicaliën schade of verkleuringen kunnen veroorzaken. Gebruik altijd een droge, zachte doek om stof en vuil weg te vegen.

Over de Backup Batterij (DG series Gitaar Versterkers)

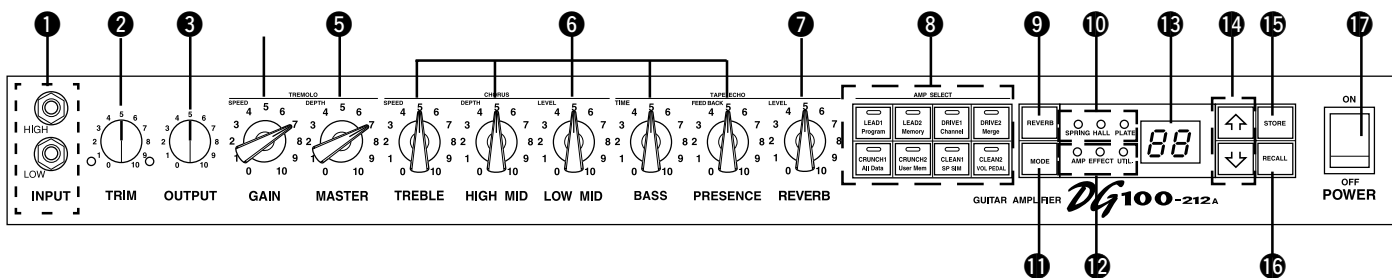
Een backup batterij (lithium batterij) wordt gebruikt om de interne data (instellingen) te bewaren, zelfs als de stroomkabel wordt losgekoppeld. Interne data gaat verloren als de batterij leeg is, het is dus aanbevolen dat de data opgeslagen wordt in een externe data recorder zoals de Yamaha MIDI Data Filer MDF3 (→zie pagina 77.), of anders is het een goed idee om aantekeningen bij te houden van instellingen. De gemiddelde levensduur van de batterij is ongeveer 3 jaar. Raadpleeg de muziekwinkel waar u de eenheid heeft gekocht als vervanging nodig is, of een gekwalificeerd service vertegenwoordiger om de batterij te vervangen.

- *Probeer niet zelf de backup batterij te vervangen.*
- *Houd de backup batterij uit de buurt van kinderen.*
- *"E5" verschijnt in de display als de batterij op raakt en de interne data verloren gaat.*
- *Data kan verloren gaan als de eenheid onjuist behandeld wordt of reparaties worden uitgevoerd.*

Het Bedieningspaneel

■ Frontpaneel

* De DG100-212A wordt getoond in de illustratie.



1 Input Jack (INPUT HIGH, LOW)

Sluit de gitaar aan op deze jack. Gitaren met een hoog output niveau moeten aangesloten worden op de LOW jack. Gitaren met een laag output niveau moeten aangesloten worden op de HIGH jack.

* Zet de versterker uit (OFF) alvorens de gitaar aan te sluiten.

3 Trim Knop (TRIM)

Wordt gebruikt om het output niveau van de gitaar in overeenstemming te brengen met het input niveau van de voorversterkers. (→ zie pagina 74.)

* TRIM niveau instellingen worden niet opgeslagen in het geheugen.

3 Output Niveau Knop (OUTPUT)

Regelt het output volume van de versterker.

Stelt de hoeveelheid voortgebrachte geluid in die wordt gecreëerd door de voorversterkers GAIN, MASTER, Toon Knoppen, enz. Het volume wordt bestuurd zonder de toonkwaliteit van de versterker te wijzigen.

* Output niveau instellingen worden niet bewaard in het geheugen.

* Heeft geen effect op het niveau (volume) van de LINE OUT 2 jack.

4 Gain Volume (GAIN)

Regelt de hoeveelheid vervorming.

* Er wordt geen geluid geproduceerd als de GAIN op 0 wordt gezet, zelfs niet als het MASTER VOLUME 5 open staat.

Wanneer de Effect Mode is ingeschakeld, wordt de GAIN knop gebruikt om de SPEED instelling voor het tremolo effect te regelen. (→ zie pagina 74.)

5 Master Volume (MASTER)

Regelt het algemene volume van GAIN en toonknoppen instellingen. Het regelt ook het output niveau van de voorversterker.

* Master niveau instellingen worden opgeslagen in het geheugen.

Wanneer de Effect Mode is ingeschakeld, wordt de MASTER knop gebruikt om de DEPTH instelling voor het tremolo effect te regelen. (→ zie pagina 74.)

6 Tone Knoppen

(TREBLE, HIGH MID, LOW MID, BASS, PRESENCE)

Regelt de niveaus van hun respectievelijke frequenties.

Wanneer de Effect Mode is ingeschakeld, wordt het mogelijk de volgende instellingen te regelen. (→ zie pagina 74)

- TREBLE, HIGH MID, LOW MID → chorus SPEED, DEPTH, LEVEL
- BASS, PRESENCE → tape echo's TIME, FEED BACK

7 Reverb Volume (REVERB)

Regelt de hoeveelheid reverb (→ zie pagina 74.) Als de Effect Mode aanstaat kunt u met de REVERB knop de LEVEL instelling van de tape echo wijzigen. (→ zie pagina 74.)

8 Amp Select Button/Amp Select Display

(LEAD 1, 2/DRIVE 1, 2/CRUNCH 1, 2/CLEAN 1, 2)

Selecteert één van de acht vooraf ingestelde versterker typen. Het huidige geselecteerde versterker type wordt getoond in de display. (→ zie pagina 74.)

Als de Utility Mode aanstaat, kunt u met deze schakelaars de MIDI functies en de Luidspreker Simulator aan- en uitzetten (ON of OFF). (→ zie pagina 77.)

* Als de Versterker Selecteer knop wordt ingedrukt, keren knoppen 4-6 terug naar hun vooraf ingestelde posities (GAIN en MASTER = 7, Toon Knoppen all = 5). De positie van de REVERB knop wijzigt niet.

9 Reverb Type Selecteer Knop (REVERB)

10 Reverb Type Display Lamp (SPRING, HALL, PLATE)

Druk op de knop om het reverb type te selecteren. De lamp die correspondeert van het geselecteerde reverb type licht op. (→ zie pagina 74.)

11 Mode Select Button (MODE)

12 Mode Display Lamp (AMP/EFFECT/UTIL.)

Toont de huidige geselecteerde mode.

• AMP (Amp Mode)

Normale speel mode. Alle knoppen op het paneel functioneren zoals gemarkeerd is. (Tweevoudige functieknoppen functioneren volgens de onderste markeringen.) Deze mode wordt automatisch aangezet als een geheugen wordt opgeroepen.

• EFFECT (Effect Mode) → zie pagina 74.

Tweevoudige functieknoppen functioneren volgens de onderste markeringen.

Druk, als u in de Amp Mode bent, eenmaal op de [MODE] knop en laat deze snel weer los om naar de Effect Mode te gaan.

• UTIL. (Utility Mode) → zie pagina 77.

Stel in deze mode de MIDI functies in en in deze mode kunt u de Luidspreker Simulatie aan- en uitzetten (ON/OFF). Druk, als u in de Amp Mode of Effect Mode bent, op de [MODE] knop en houdt deze ongeveer één seconde ingedrukt om naar de Utility Mode te gaan.

13 Display

Toont Geheugennummers, Program Change Nummers, het MIDI Kanaal, enz.

14 ↑/↓ Knoppen

Verhoogt of verlaagt het geheugennummer met 1. Verhoogt of verlaagt ook waarden met 1. In de Utility Mode verhogen/verlagen deze knoppen waarden met 1 of zetten ze de functie aan of uit (ON/OFF). waarden wijzigen continue als de knop wordt ingedrukt en ingehouden wordt.

15 Store Knop (STORE)

Bewaart met deze knop de huidige geluidsinstelling in het interne geheugen. (→ zie pagina 75.) wordt ook gebruikt om MIDI Bulk Out handelingen uit te voeren. (→ zie pagina 77.)

16 Recall Knop (RECALL)

Roept de instellingen opgeslagen in het geheugen op. Selecteer met de ↑/↓ knoppen een geheugennummer (01 ~ 128), druk vervolgens op de [RECALL] knop om deze instellingen in het geheugen op te roepen. (→ zie pagina 75.)

17 Aan/uit schakelaar (POWER)

De aan/uit schakelaar van de versterker.

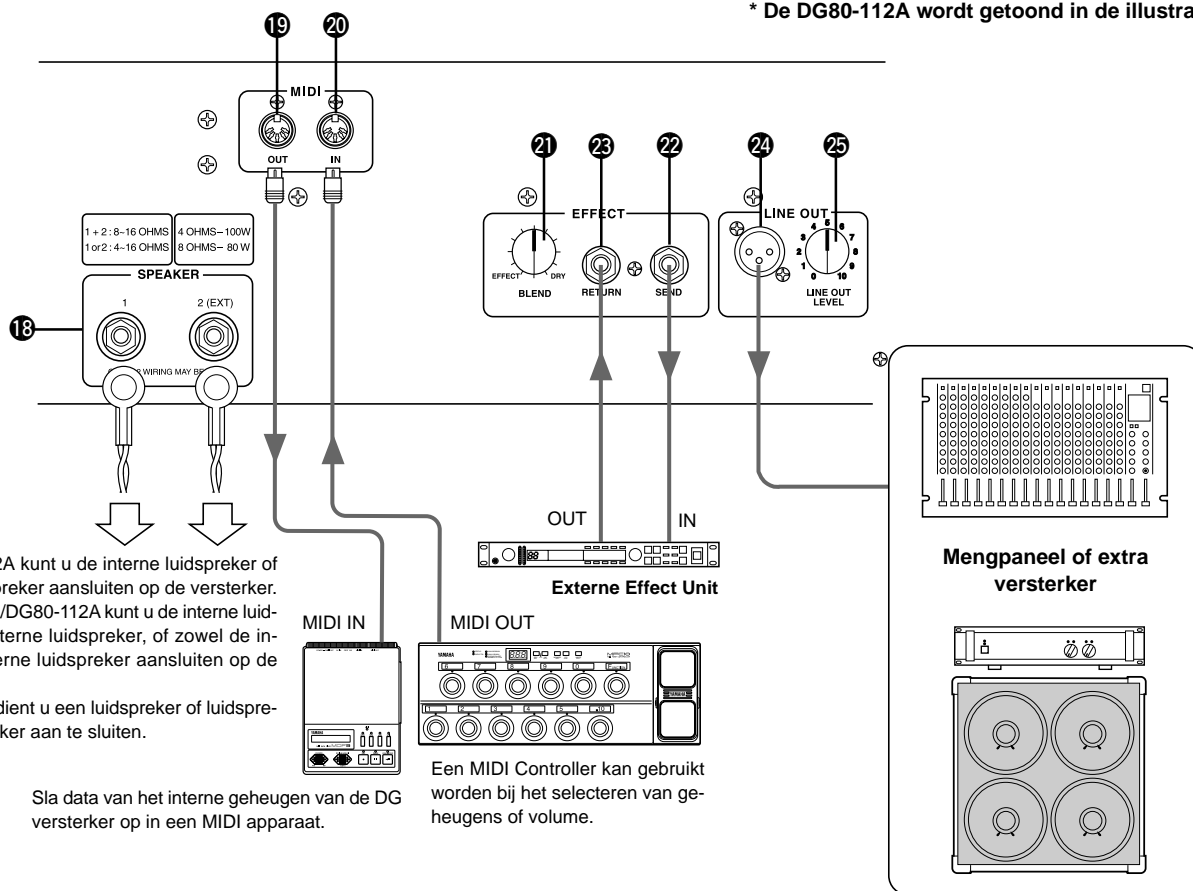
* Zet, om de luidsprekers tegen mogelijke schade te beschermen, het OUTPUT 3 volume op "0" alvorens u het apparaat AAN/UIT zet.

Het Bedieningspaneel

■ Achterpaneel

Zorg ervoor, alvorens u enige aansluitingen maakt, dat de DG versterker en eventuele externe apparatuur uitstaat.

* De DG80-112A wordt getoond in de illustratie.



18 Luidspreker Jack (SPEAKER)

DG100-212A: De interne luidspreker moet worden aangesloten op de versterker.

DG80-210A/DG80-112A: Uitgerust met 2 luidspreker jacks. De interne luidspreker moet worden aangesloten op de SPEAKER 1 jack.

DG130HA: Uitgerust met 2 luidspreker jacks.

Zie het "Luidsprekers Aansluiten" gedeelte op pagina 73 voor instructies over het aansluiten van luidsprekers op de versterker.

19 MIDI OUT Jack

Sluit deze jack aan op de MIDI IN jack van een apparaat dat MIDI data kan opslaan. De data opgeslagen in het interne geheugen van de DG versterker kan worden verstuurd naar een extern MIDI apparaat, om daar opgeslagen te worden. (→ zie pagina 77 : MIDI Bulk Out)

Verstuurt ook MIDI data ontvangen door de MIDI IN jack 20 naar een extern apparaat als MIDI Merge op ON gezet wordt. (→ zie pagina 77.)

20 MIDI IN Jack

Sluit deze jack aan op de MIDI OUT jack van het MIDI voetpedaal en u kunt vervolgens met het externe voetpedaal de DG versterker bedienen. Geheugen selectie, volume bediening en effecten kunnen alle worden bediend via een extern voetpedaal. (→ zie pagina 76.)

Ook geheugen data opgeslagen in een extern opslagmedium kan geladen worden in het interne geheugen van de DG versterker. (→ zie pagina 77. MIDI Bulk In)

21 Effect Blend Knop (EFFECT BLEND)

22 Effect Send Jack (EFFECT SEND)

23 Effect Return Jack (EFFECT RETURN)

Een extern effectapparaat kan worden tussengevoegd in de signaalbaan tussen de SEND/RETURN jacks. Hierdoor kunt u het door de versterker gecreëerde signaal verder bewerken met een extern effectapparaat. Bestuur met de BLEND knob het balansniveau tussen het geluid van het externe effectapparaat (EFFECT) en het geluid gecreëerd door de DG versterker (DRY). Zet u de knob volledig in de EFFECT positie dan hoort u alleen het geluid dat wordt geproduceerd door het extern effectapparaat. Zet u de knob volledig in de DRY positie dan hoort u alleen het interne geluid dat wordt gecreëerd door de versterker, zonder het toegevoegde effect van het externe effectapparaat.

* Sluit u een plug aan op de RETURN jack dan koppelt u het interne circuit los.

Het signaal dat terugkeert van het effectapparaat wordt hier in het interne circuit ingevoerd, waarna het doorgaat naar de versterker/luidspreker. Als de RETURN jack niet wordt gebruikt heeft de BLEND knob geen effect.

Ook kan de SEND jack functioneren als een pre-out jack en de RETURN jack kan functioneren als een main-in jack.

24 Line Out Jack (LINE OUT)

25 Line Out Niveau knop (LINE OUT LEVEL)

Hetzelfde signaal dat wordt verstuurd naar de luidspreker output jack 18 wordt ook verstuurd naar de LINE OUT jack op een line niveau (+4 dBm / 600 ohm). De versterker heeft ook een ingebouwde interne Luidspreker Simulator (kan uit- en aangezet worden, → zie pagina 78.), het output niveau kan bestuurd worden met de LINE OUT LEVEL knob. Het line signaal kan worden verstuurd naar een mixer en gebruikt worden als een output jack voor een externe versterker.

Luidspreker Aansluiten

Controleer, alvorens luidsprekers op de luidspreker jack(s) aan te sluiten, het vermogen en de impedantie van de luidspreker en zorg ervoor dat deze overeenkomen met de vereisten van de apparatuur.

■ Voor de DG100-212A

De luidspreker van de interne versterker (4 OHMS) moet worden aangesloten worden op de luidspreker jack. Als het nodig is, kunt u de interne luidspreker loskoppelen en een externe luidspreker op de luidspreker jack aansluiten.

Zorg ervoor, als er een externe luidspreker wordt gebruikt, de luidspreker(s) voldoen aan de volgende eis:

- Een vermogen van tenminste 100 W, impedantie van 4 – 8 OHM.

■ Voor de DG80-210A/DG80-112A

De luidspreker van de interne luidspreker (8 OHMS) moet worden aangesloten op de SPEAKER 1 jack.

Met de SPEAKER 2 (EXT) jack kunt u externe luidspreker(s) toevoegen. Ook kunt u, indien nodig, de interne luidspreker loskoppelen om twee externe luidsprekers direct op de versterker aan te sluiten. De twee luidspreker jacks worden parallel aangesloten. Zorg ervoor, als externe luidsprekers worden gebruikt, dat de luidsprekers voldoen aan de volgende eisen.

● Als één luidspreker jack wordt gebruikt.

- Een vermogen van tenminste 100 W, impedantie van 4 – 16 OHM.
- De totale impedantie van de luidsprekers in een circuit mag niet lager zijn dan 4 OHM.

● Als beide luidsprekers worden gebruikt..

- Luidsprekers aangesloten op iedere jack moeten minimaal 100 W zijn en de impedantie moet 8 – 16 OHM zijn.
- De totale impedantie van de luidsprekers in een circuit mag niet lager zijn dan 4 OHM.

■ Voor de DG130HA

De versterker is uitgerust met twee luidspreker jacks. De twee luidspreker jacks worden parallel aangesloten. Zorg ervoor dat de luidsprekers voldoen aan de volgende eisen.

● Als één luidspreker wordt gebruikt.

- Vermogen van tenminste 130 W, impedantie van 4 – 16 OHMS.
- De totale impedantie van de luidsprekers in een circuit mag niet lager zijn dan 4 OHM.

● Als beide luidsprekers worden gebruikt.

- Luidsprekers aangesloten op iedere jack moeten minimaal 100 W zijn en de impedantie moet 8 – 16 OHM zijn.
- De totale impedantie van de luidsprekers in een circuit mag niet lager zijn dan 4 OHM.

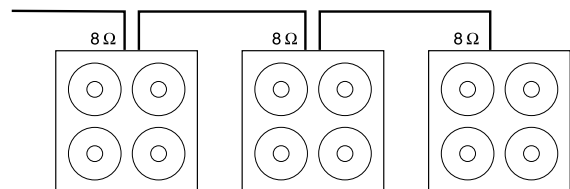
Totale Impedantie

Als twee of meer luidsprekers worden aangesloten, moet u rekening houden met de totale impedantie van de luidsprekers. Luidsprekers zijn normaal gesproken 4, 8 of 16 OHM. Als twee of meer luidsprekers samen gebruikt worden wijzigt de totale impedantie aan de hand van de manier waarop de luidsprekers zijn aangesloten.

● In serie aansluiten

De totale impedantie is gelijk aan de impedantie van de 1e luidspreker + 2e luidspreker + 3e luidspreker + ...

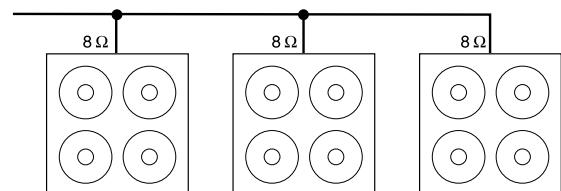
Als drie luidspreker in serie worden aangesloten, zoals hieronder getoond wordt, wordt de totale impedantie 24 OHMS.



● In parallel aansluiten

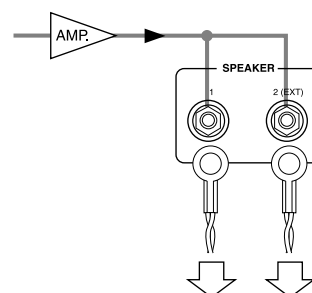
$$\text{De totale impedantie} = \frac{1}{\frac{1}{1e \text{ luidspreker}} + \frac{1}{2e \text{ luidspreker}} + \frac{1}{3e \text{ luidspreker}} + \dots}$$

Als drie luidsprekers in een parallel serie worden aangesloten, zoals hieronder getoond, wordt de totale impedantie ongeveer 2.7 OHMS.



Voor de DG80-210A/DG80-112A

De twee luidsprekers zijn in een intern circuit parallel aangesloten, waardoor het toevoegen van een 4 OHM externe luidspreker op de 8 OHM interne luidspreker resulteert in een totale impedantie van 2 OHM. Om te blijven voldoen aan de minimum impedantie, moet u dus een 8 OHM luidspreker toevoegen als externe luidspreker.



Interne Luidspreker 8 OHM

Externe Luidspreker
Groter dan 8 OHM

Hoe uw DG Series Versterker te gebruiken

Zet, om de luidspreker tegen mogelijke schade te beschermen, altijd de OUTPUT knop naar "0" alvorens het apparaat aan te zetten.

■ Zorg eerst voor geluid

1. Sluit, met de voeding van de DG versterker uitgeschakeld, uw gitaar aan op de INPUT jack op het frontpaneel. Probeer om te beginnen de LOW jack.
2. Zet de versterker aan met de OUTPUT knop op "0".
3. Zet, als een uitgangspunt, het TRIM niveau op "5" en speel op de gitaar. Vervolgens het OUTPUT niveau.
4. Als u eenmaal geluid heeft kunt u doorgaan met het afstellen van het TRIM niveau zoals omschreven in het volgende gedeelte.

■ wijzig het TRIM niveau

Met het TRIM niveau kunt u het outputniveau van de gitaar instellen op een optimaal niveau, dat overeenkomt met de INPUT jack van de DG versterker. Met een goed ingesteld TRIM niveau is er duidelijk onderscheid tussen het spelen van subtiele nuances en de attack van een sterke aanslag. Een onjuist gewijzigd trim niveau resulteert in ruis, feedback en/of een afgeknapt geluid.

* Het outputniveau tussen gitaren varieert. Als u van gitaar wisselt is het nodig om het trim niveau opnieuw te wijzigen, zodat deze met de andere gitaar overeenkomt.

* HIGH en LOW inputniveaus zijn verschillend. Zorg ervoor, zelfs als dezelfde gitaar gebruikt wordt, dat het TRIM niveau opnieuw wordt gewijzigd als een verschillende input jack wordt gebruikt.

* Zorg ervoor, zelfs als u gebruik maakt van vervorming, dat het TRIM niveau juist is gewijzigd en gebruik de GAIN knop om vervorming te creëren.

1. Zet het volume van de gitaar op maximaal en sla hard aan op de gitaar. Begin met het wijzigen van het TRIM niveau.
Een optimaal niveau is tot stand gebracht als de Groene LED brandt.
2. Ga door met de TRIM knop naar rechts te draaien, zo lang de Rode LED niet brandt. Zet het TRIM niveau op "10" als de Rode LED niet brandt.

* Als de Rode LED nog steeds niet brandt, verlaag dan het TRIM niveau, sluit de gitaar aan op de HIGH input jack en herhaal de vorige procedure.

■ Geluidinstellingen

Selecteer één van de acht preset versterker typen van de DG versterker en wijzig het geluid van de gitaar vervolgens met de GAIN+MASTER en toonknoppen.

1. Selecteer een versterker type met één van de AMP SELECT knoppen. De LED van de geselecteerde versterkerknop gaat branden.
2. Wijzig met de GAIN, MASTER en de vijf toonknoppen de kleur van het gitaargeluid.

HINT OUTPUT knop en MASTER knop

Het draaien aan beide knoppen wijzigt het volume. De MASTER knop bestuurt het master volume van de voorversterker. Deze instelling wordt opgeslagen in het geheugen. De OUTPUT knop bestuurt het volume van de versterker. Deze instelling wordt niet opgeslagen in het geheugen.

Volumeniveaus van individuele geheugeninstellingen zouden moeten worden ingesteld met de MASTER knop. Het outputniveau van de luidspreker mag worden geregeld met de OUTPUT knop.

* Als een AMP SELECT knop wordt ingedrukt keren alle knoppen (behalve TRIM, OUTPUT en REVERB) terug naar hun preset posities. (GAIN en MASTER = 7, alle toonknoppen = 5. Zie, om gewijzigde instellingen te bewaren, het "Instellingen Bewaren" gedeelte op pagina 75.)

■ Reverb Instellingen

1. Selecteer met de REVERB knop een reverb type. Iedere keer dat de REVERB knop wordt ingedrukt wandelt het type door SPRING → HALL → PLATE instellingen. De lamp voor het geselecteerde reverb type brandt.
 2. Wijzig met de REVERB knop de hoeveelheid reverb.
- * Reverb instellingen (type en REVERB knop instellingen) blijven geldig, zelfs als de AMP SELECT knop wordt ingedrukt om het versterker type te wijzigen. Als een ander geheugennummer wordt opgeroepen, worden de reverb instellingen van dat geheugennummer geldig (opgeroepen).

■ Effect (Tremolo, Chorus, Tape Echo) instellingen

1. Druk op de **MODE** toets zodat het EFFECT lampje gaat branden. Wanneer de effect functie ingeschakeld is, zullen alle knoppen van GAIN – REVERB teruggezet worden op de in het geheugen opgeslagen stand.
2. Gebruik de GAIN – REVERB knoppen om de grootte van elk van de effecten naar wens aan te passen.

● Tremolo Effect

• GAIN (SPEED: Tremolo snelheid)

Stelt de snelheid van het Tremolo Effect in (de snelheid waarmee het volume van het effect toe- en afneemt). Draai de knop naar rechts om de snelheid te vergroten.

• MASTER (DEPTH: Tremolo diepte)

Stelt de diepte van het Tremolo Effect in (de boven- en ondergrens van het volume van het effect). Draai de knop naar rechts om meer effect te laten produceren.

● Chorus Effect

• TREBLE (SPEED: Chorus snelheid)

Stelt de snelheid van het Chorus Effect in (de snelheid waarmee het volume van het effect toe- en afneemt). Draai de knop naar rechts om de snelheid te vergroten.

• HIGH MID (DEPTH: Chorus diepte)

Stelt de diepte van het Chorus Effect in (de boven- en ondergrens van het volume van het effect). Draai de knop naar rechts om meer effect te laten produceren.

• LOW MID (LEVEL: Chorus niveau)

Stelt het mengniveau in voor het Chorus Effect.

● Tape Echo Effect

• BASS (TIME: Echo Time)

Stelt de hoeveelheid tijd in tussen het klinken van de snaar en het echo geluid (de hoeveelheid tijd tussen één echo en de volgende). Draai de knop naar rechts om de hoeveelheid tijd te verhogen.

• PRESENCE (FEEDBACK)

Stelt de lengte van de herhaling (echo repeat) in. Draai de knop naar rechts om de lengte te verhogen. Draai u de knop te veel naar rechts kan dit resulteren in onhandelbare feedback, gebruikt het a.u.b. voorzichtig.

• REVERB (LEVEL: Echo Niveau)

Stelt het volume niveau van de echo in.

3. Wanneer u klaar bent met instellen, dient u op de **MODE** of **REVERB** toets te drukken, waarna het AMP lampje zal geen branden.

Alle knoppen van GAIN – REVERB zullen nu terugkeren naar de stand waarin ze stonden voor de EFFECT functie werd ingeschakeld.

* Instellingen voor de effecten blijven van kracht ook al wordt de AMP SELECT toets ingedrukt om een ander versterker type te kiezen. Wanneer u een ander geheugennummer oproept met de daarvoor bedoelde functie (zie bladzijde 75), zullen de instellingen voor de effecten die zijn opgeslagen onder dat geheugennummer ingesteld worden.

Met de procedures op deze pagina, kunt u originele geluiden (instellingen) creëren en samen met de effect instellingen opslaan in het interne geheugen van de DG versterker zodat u het op ieder moment direct kunt oproepen. De procedure voor het opslaan van data in het geheugen wordt uitgelegd op de volgende pagina.

Oproepen en Bewaren

Onder de geheugennummers 1 – 80 zijn bij de fabricage van de DG Series versterkers instellingen voorgeprogrammeerd door Yamaha. (Raadpleeg de "Patch lijst" op pagina 83.)

Deze instellingen omvatten het versterker-type en de instellingen daarvoor (GAIN, MASTER, Toonregeling, Reverb, Tremolo, Chorus en Tape Echo) die u wanneer gewenst kunt oproepen en gebruiken. De servo's in de knoppen zullen deze automatisch in de juiste stand zetten. U kunt ook door uzelf gemaakte instellingen opslaan onder een van de geheugennummers 1 – 128. Stel uw favoriete sound samen en sla deze vervolgens op.

■ Geheugen Oproepen (Recall)

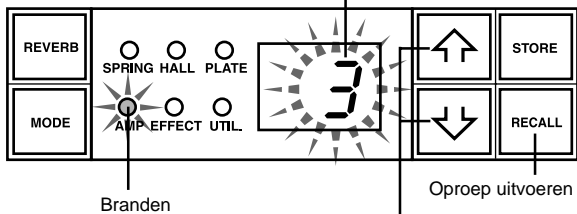
Geluidsinstellingen opgeslagen in het geheugen kunnen gemakkelijk opgeroepen worden door een geheugennummer te selecteren.

Als een geheugen wordt opgeroepen wijzigt de huidige instelling. Sla instellingen in het geheugen op met de Store handeling, omschreven aan de linkerkant van deze pagina.

1. Druk op de **[MODE]** knop, hierop gaat de AMP of EFFECT mode display branden.
2. Selecteer met de **[↑]** / **[↓]** knoppen het geheugennummer dat u wilt oproepen. Het geheugennummer verschijnt in de display (knippert).
3. Druk op de **[RECALL]** knop. Het knipperende geheugennummer gaat branden. De verschillende knoppen en de Amp Select Display wijzigt overeenkomstig met de data in het geheugen dat wordt opgeroepen.

- * Instellingen wijzigen niet totdat de **[RECALL]** knop wordt ingedrukt.
- * **TRIM** en **OUTPUT** knop instellingen wijzigen de Recall werking niet.
- * Het duurt ongeveer 1 - 10 seconden voordat de stand van de knoppen zich wijzigen, interne instellingen wijzigen echter direct.
- * "E 1" verschijnt in de display als de volume knop niet naar zijn toegewezen positie gaat, of het apparaat niet het oproep commando herkent nadat er 20 seconden verstrekken zijn vanaf het begin van de oproep handeling. Voortdurend gebruik van het apparaat in deze toestand kan resulteren in brand of een elektrische schok. Breng de versterker naar de dealer waar u deze gekocht heeft, of naar het dichtstbijzijnde Yamaha Service Center voor reparatie.

Het geheugennummer dat opgeroepen moet worden, getoond in de display, stopt met knipperen en gaat branden.



Selecteer het geheugennummer dat opgeroepen moet worden.

Een MIDI voetpedaal of ander extern MIDI apparaat kan gebruikt worden om geheugens te selecteren en op te roepen. Zie pagina 78 voor details.

■ Initialiseren van het geheugen ■

Houd de **[LEAD 1]** en **[RECALL]** toetsen tegelijkertijd ingedrukt en zet de Aan/uit schakelaar aan (ON) om alle instellingen in het geheugen weer terug te zetten op de fabrieksinstellingen.

Wanneer u het geheugen initialiseert, zullen de gegevens onder de geheugennummers 1 – 80 worden overschreven door de gegevens uit de Patch lijst (→ pagina 83) en zullen de gegevens onder de geheugennummers 81 – 128 eveneens worden teruggezet op hun fabrieksinstelling. Gegevens die u had opgeslagen in het geheugen zak worden gewist en daarom raden we u ten sterkste aan belangrijke gegevens op te slaan in een extern MIDI apparaat, of de instellingen te noteren voordat u deze handeling gaat uitvoeren.

■ Store (opslaan) Instellingen

1. Gebruik de procedure op pagina 74 en creëer een geluid met de acht preset versterker typen en bedieningsknoppen op het frontpaneel.

* Utility Mode instellingen kunnen niet worden opgeslagen in het individuele geheugen. Als het apparaat wordt uitgezet dan worden alle geheugen instellingen bewaard in het geheugen als algemene instellingen. Als het apparaat wordt aangezet dan worden deze instellingen opgeroepen.

2. Druk op de **[MODE]** knop, waarop de AMP of EFFECT mode display lamp gaat branden.
3. Selecteer met de **[↑]** / **[↓]** knoppen een geheugennummer waarin de instellingen moeten worden bewaard. Het geheugennummer knippert in de display.
 - * Druk op en houd de beide **[↑]** / **[↓]** knoppen ingedrukt om snel door de geheugennummers te wandelen.
 - * De derde digit van het geheugennummer (100 - 128) wordt afgebeeld in de vorm van een dot tussen de twee digits.

Bijvoorbeeld 128 wordt afgebeeld als → 2.8

4. Druk op de **[STORE]** knop en hou deze ongeveer één seconde ingedrukt totdat "8.8" in de display verschijnt.

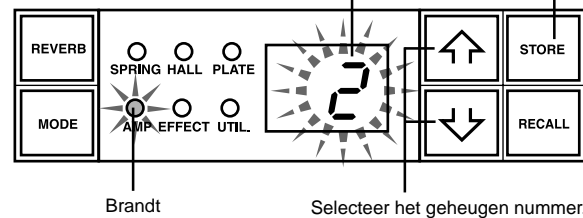
Laat de knop los, het knipperende geheugennummer gaat branden om aan te geven dat de instelling in het geheugen zijn bewaard.

* **TRIM** en **OUTPUT** instellingen kunnen niet bewaard worden in het geheugen. Stel met de **MASTER** knop achtergrond en soloniveaus in.

Het memory nummer om bewaard te worden.

Knippert → 8.8 → Brandt

Het Opslaan Uitvoeren



Data opgeslagen in geheugen (1 – 128) kunnen worden bewaard in een extern MIDI opslagmedium. Zie pagina 77 voor details.

HINT Enige hints over het opslaan van geheugennummers:

Als u data opslaat in geheugennummers kunt u het beste de geheugennummers 1 – 128 in verschillende groepen verdelen. Het oproepen van geheugennummers in groepen is veel handiger. Bijvoorbeeld:

- Creëer groepen volgens het gebruikte versterker type (LEAD1, DRIVE 1, enz.).
- Creëer groepen gebaseerd op geluidstypes (Distortion, Clean, enz.).
- Creëer groepen gebaseerd op de volgorde van songs op de Bühne.
- Creëer groepen gebaseerd op de gebruikte gitaar soort (humbucker enz.).

Het is ook een goed idee om een lijst te maken van de geluiden die opgeslagen zijn in de geheugennummers.

Gemakkelijk te Gebruiken Functies

U kunt gebruik maken van MIDI instructies om geheugennummers te selecteren, de reverb, tremolo, chorus en tape echo effecten te bedienen en het volume op de DG versterker te regelen.

Een luidspreker simulator kan ook worden aangesloten op het line out signaal.

Wat is MIDI?

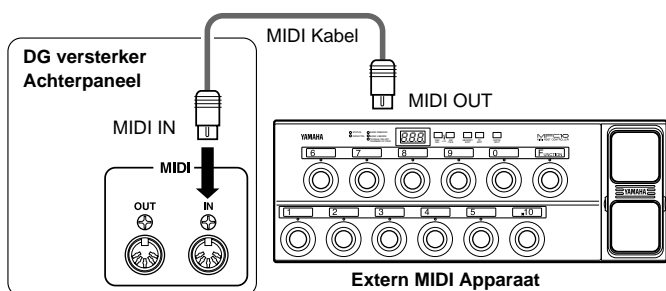
MIDI is de afkorting van Musical Instruments Digital Interface. MIDI is een wereldwijde communicatie standaard waarmee MIDI compatibel muziekinstrumenten, computers en andere MIDI apparatuur muzikale informatie kunnen uitwisselen en waarmee ze elkaar kunnen bedienen, ongeacht het instrument type of de fabrikant.

■ MIDI gebruiken om een Geheugen Op te roepen

Program changes verstuurd van een Yamaha MIDI Voetpedaal MFC10, enz., of een extern MIDI apparaat kunnen instellingen in het geheugen van de DG versterker oproepen.

1. Sluit een MIDI kabel aan op de MIDI IN jack van de DG versterker en de MIDI OUT jack van een extern MIDI apparaat.

- * Gebruik alleen een standaard MIDI kabel van maximaal 15 meter. Het gebruik van een langere kabel kan resulteren in ongebruikelijke situaties.



2. Zet het MIDI ontvangstkanaal van de DG versterker en het MIDI verstuorkanaal van het externe apparaat op hetzelfde MIDI kanaalnummer (het in de fabriek vooraf ingestelde kanaalnummer is 1).

- Zie, voor instelling instructies, pagina 77 "Stel het MIDI Ontvangstkanaal in".

3. Creëer een program change tabel*1. (De fabrieksinstelling is program change nummer = geheugennummer).

- Zie, voor instelling instructies pagina 77 "Een Program Change Tabel creëren".

*1 Bijvoorbeeld, "het ontvangen program change nummer 1, roept het geheugennummer 5 van de DG versterker op. Om dit tot stand te brengen, moet het ontvangen program change nummer worden toegewezen aan het corresponderende geheugennummer.

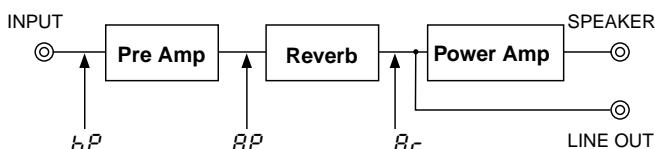
4. Als program geheugen data wordt verstuurd van een extern MIDI apparaat, worden data in het corresponderende geheugen dat is toegewezen in de program change tabel opgeroepen.

- * Controleer, voor meer instructies over het versturen van program change data, de handleiding van het externe apparaat dat u gebruikt.

■ MIDI gebruiken om het Volume te Bedienen

U kunt het algehele volume van de DG versterker besturen vanaf een extern MIDI apparaat door een nummer 7 control change message (main volume) te versturen van de MIDI OUT jack van een extern MIDI apparaat naar de MIDI IN jack van de DG versterker. Door het aansluiten van een Yamaha MIDI voetpedaal MFC10, enz., of een MIDI apparaat uitgerust met een voetpedaal, kunt u met het voetpedaal het volume tijdens het spel wijzigen. Met de drie volgende posities, kunt u de bedieningsposities selecteren waarop het volume gewijzigd moet worden.

- "bP" : Before Pre Amp. Bedient het volume voor de voorversterker.
- "RP" : After Pre Amp. Bestuurt het volume na de voorversterker.
- "Rr" : After REVERB: Bestuurt het volume na de reverb.



1. Sluit volgens de procedures 1 en 2 in het vorige "MIDI gebruiken om een Geheugen Op te roepen" gedeelte het externe MIDI apparaat aan en stel het MIDI ontvangstkanaal in.

2. Selecteer vervolgens de volume knop positie.

- Zie, voor instructies over de instel procedure, pagina 78 "Stel het Volume Pedaal Positie in".

3. In deze staat, zal nummer 7 control change data die wordt verstuurd door een extern MIDI apparaat het volume van de DG versterker besturen.

- * De DG versterker accepteert geen andere MIDI control changes dan nummers 7 en 91 t/m 94.
- * Zie, voor meer details over control data versturen, de gebruikershandleiding van uw extern MIDI apparaat.
- * Zelfs als een ander geheugennummer wordt geselecteerd, wijzigt het algehele (main) volume niet.
- * Als het apparaat wordt aangezet wordt het algehele volume op maximum gezet.
- * Nadat de algehele volume data wordt gewijzigd en het externe MIDI apparaat wordt losgekoppeld kan het volumeniveau onvoldoende zijn. In dit geval moet u nogmaals de volume change boodschap versturen of de versterker uitzetten en weer aanzetten.

■ MIDI gebruiken om de Reverb, Tremolo, Chorus en Tape Echo Effecten te bedienen

U kunt de instellingen voor het Reverb niveau (Nr. 91), de Tremolo diepte (Nr. 92), het Chorus niveau (Nr. 93) en het Tape Echo niveau (Nr. 94) wijzigen door via de MIDI OUT aansluiting van een extern MIDI apparaat instructies te sturen voor het wijzigen van de betreffende instellingen naar de MIDI IN aansluiting van de DG Gitaarversterker.

1. Sluit een extern MIDI apparaat aan zoals beschreven bij de stappen 1 en 2 in het hoofdstukje "MIDI gebruiken om een Geheugen op te roepen" op deze bladzijde en stel het MIDI ontvangstkanaal in.

2. Verstuur het parameter control change nummer en de control change gegevens vanaf het externe MIDI apparaat om de hierboven genoemde effectparameters af te regelen.

- * Voor meer informatie over het versturen van control change gegevens, dient u de handleiding van uw externe MIDI apparaat te raadplegen.

■ Luidspreker Simulator

De luidspreker simulator voorziet het line signaal van een realistische simulatie van het natuurlijke geluid van een luidspreker. De luidspreker simulator kan worden gebruikt op het line signaal als de LINE OUT jack wordt aangesloten op een mixer of recorder.

- Zie voor instelling instructies het "Luidspreker Simulator ON/OFF" gedeelte in deze handleiding.

Utility Mode

In de Utility Mode kunt u MIDI instellingen wijzigen, de luidspreker simulator en de volume pedaal positie instellingen wijzigen. Om naar de Utility Mode te gaan moet u op de [MODE] knop drukken en deze meer dan één seconden ingedrukt houden waarop de "UTIL." mode display lamp gaat branden. Iedere instelling wordt bewaard in het geheugen, zelfs als de versterker wordt uitgezet. Druk, om de Utility Mode te verlaten, op de [MODE] knop. De "AMP" (amp mode) display lamp gaat branden.

* MIDI messages worden niet ontvangen in de Utility Mode, zie de "MIDI gebruiken om een Geheugen Op te roepen", "MIDI gebruiken om het Volume te bedienen", "MIDI gebruiken om de Reverb, Tremolo, Chorus en Tape Echo Effecten te bedienen" en "MIDI Bulk In" gedeeltes in deze handleiding om de corresponderende MIDI handelingen uit te voeren.

■ Een Program Change Tabel Creëren

Met deze procedure kan een specifiek geheugennummer in het interne geheugen van de DG versterker worden opgeroepen met een program change nummer die wordt ontvangen van een extern MIDI apparaat.

* Factory Preset: Program Change Nummer = Memory Nummer.

1. Druk de [MODE] knop in, en hou deze langer dan één seconde ingedrukt. De "UTIL." mode display lamp gaat branden. (Utility Mode)
2. Druk op de [LEAD 1] knop.
3. Selecteer met de [↑] / [↓] knoppen het program change nummer (1-28) dat verstuurd wordt door het externe apparaat. Het nummer verschijnt in de display.
4. Druk op de [LEAD 2] knop.
5. Selecteer met de [↑] / [↓] knoppen, het geheugennummer (1-28) die opgeroepen moet worden in het interne geheugen van de DG versterker. Het nummer verschijnt in de display.
6. Herhaal, afhankelijk van uw wensen stappen 2 tot en met 5.

■ Stel het MIDI Ontvangstkanaal in

Stel het MIDI ontvangstkanaal van de DG versterker in.

* Om MIDI data tussen MIDI apparaten te versturen en te ontvangen, moet het MIDI kanaal op beide apparaten hetzelfde worden ingesteld, anders wordt de data niet succesvol verstuurd. (De fabrieksinstelling is kanaal 1.)

1. Druk de [MODE] knop in en houd deze langer dan één seconden ingedrukt. De "UTIL." mode display gaat branden. (Utility Mode)
2. Druk op de [DRIVE 1] knop. De huidige MIDI ontvangstkanaal (receive) instelling verschijnt in de display.
3. Selecteer met de [↑] / [↓] knop een MIDI ontvangstkanaal (1-16, R 1, OF).

* Met de "R 1" instelling kunt u de omni op ON zetten.

■ Stel de MIDI Merge in

Als u wilt dat het MIDI signaal ontvangen door de MIDI IN jack van de DG versterker doorgestuurd moet worden naar andere MIDI apparaten via de MIDI OUT jack van de versterker, moet de MIDI Merge op "ON" (AAN) zetten. Zet deze, als u niet wilt dat de data doorgestuurd wordt, op "OFF" (UIT).

1. Druk op de [MODE] knop in en houd deze langer dan één seconden ingedrukt. De "UTIL." mode display gaat branden.
2. Druk op de [DRIVE 2] knop. De huidige ingestelde MIDI merge instelling verschijnt in de display.
3. Zet deze met de [↑] / [↓] knop of "ON" ou "OFF".

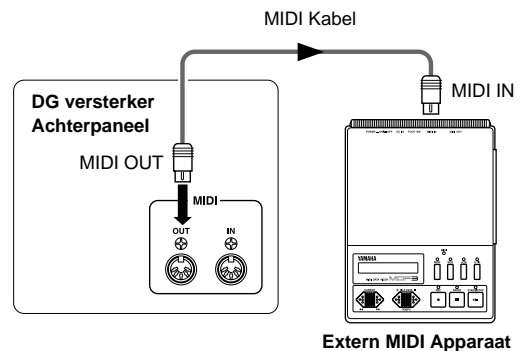
■ MIDI Bulk Out

U kunt de data opgeslagen in het interne geheugen van de DG versterker back-uppen door de data op te slaan op een extern MIDI opslagmedium (Yamaha MDF3, enz.).

1. Sluit een MIDI kabel aan op de MIDI OUT jack van de DG versterker en de MIDI IN jack van het externe MIDI opslagmedium.
2. Druk de [MODE] knop langer dan één seconde in. De "UTIL." mode display lamp gaat branden.
3. Om alle geheugen data (128 geheugen, plus Utility instellingen) te versturen met de Bulk Out handeling:
 - Druk op de [CRUNCH 1] knop. "R 1" verschijnt in de display.
 Om één enkel geheugen te versturen:
 - Druk op de [CRUNCH 2] knop. Selecteer met de [↑] / [↓] knop het geheugennummer (1-128, R 1) dat u wilt bewaren met de Bulk Out handeling.
4. Druk op de [STORE] knop om de Bulk Out handeling uit te voeren. Druk op de [MODE] knop om de handeling te annuleren.

* Als "R 1" wordt geselecteerd in de Bulk Out handeling, worden alle geheugen data (128 memory) verstuurd.

* Het device nummer is hetzelfde het MIDI ontvangstkanaal. Als het MIDI ontvangstkanaal is ingesteld op "R 1" (Omni ON) wordt het apparaat nummer 1.

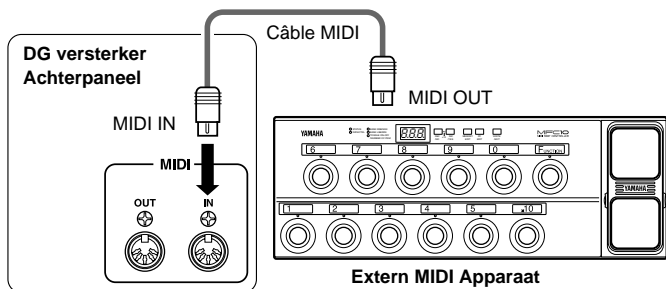


■ MIDI Bulk In

Sluit een MIDI kabel aan op de MIDI IN jack van de DG versterker en de MIDI OUT jack van een extern MIDI apparaat. Stuur uw MIDI back up data terug naar de DG versterker.

- * De MIDI Bulk In handeling kan alleen worden uitgevoerd in de AMP of EFFECT modes. Het kan niet worden uitgevoerd in de Utility Mode.
- * Het device nummer is hetzelfde als het MIDI ontvangstkanaal. Als het MIDI ontvangstkanaal op "All" (Omni On) staat, wordt het MIDI kanaal op 1 gezet. De DG versterker ontvangt geen data als het MIDI kanaal is ingesteld op "OFF" (OFF).
- * "L d" wordt getoond in de display terwijl de MIDI Bulk In handeling wordt uitgevoerd.

Mode utilitaire



■ MIDI Versturen/Ontvangen tussen DG series versterker

Kopieer met de MIDI bulk out/bulk in functies geheugen en utility data van de ene DG gitaarversterker (DG100-212A/DG80-210A/DG80-112A/DG130HA) naar een andere.

* Zorg ervoor dat de ontvangende DG versterker in de AMP mode of EFFECT mode staat.

■ Luidspreker Simulator ON/OFF

De Luidspreker simulator van de DG versterker voorziet het line signaal van een realistische simulatie van het natuurlijke geluid van een luidspreker. De luidspreker simulator kan worden gebruikt op het line signaal als de LINE OUT jack wordt aangesloten op een mixer of recorder.

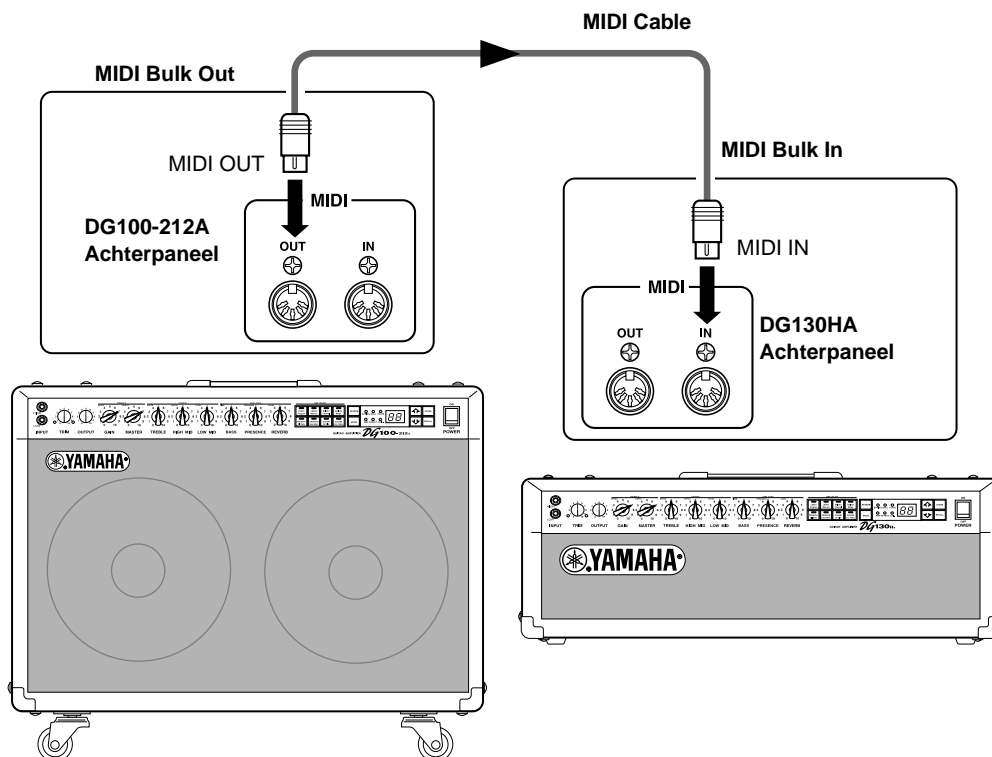
1. Druk de **[MODE]** knop langer dan één seconden in. De "UTIL. " mode display lamp gaat branden.
2. Druk op de **[CLEAN1]** knop. De huidige instelling wordt getoond in de display.
3. Selecteer met de **[↑]** / **[↓]** knoppen "ON" ou "OFF" (AAN/UIT).

■ Stel de Volume Pedaal Positie in

Stel de positie in waar de besturing van het volume - via MIDI - plaatsvindt. (Zie, voor meer informatie over Volume Pedaal Functies, het "MIDI Gebruiken om het Volume te Bedienen" gedeelte op pagina 76.)

1. Druk de **[MODE]** knop langer één seconden in. De "UTIL. " mode display lamp gaat branden.
2. Druk op de **[CLEAN2]** knop. De huidige instelling wordt getoond in de display.
3. Selecteer met de **[↑]** / **[↓]** knoppen de volumeknop positie (bP, RP, RR)

EX.) Kopieer het geheugen van een DG100-212A naar een DG130HA.



Foutmeldingen

Als een fout optreedt tijdens handelingen kan één van de volgende foutmelding nummers verschijnen in de display.

E 1: Motor Drive Error

ORZAAK: De volume knop is niet teruggekeerd naar zijn toegewezen positie nadat 20 seconden zijn verlopen vanaf het begin van een oproep handeling of, het apparaat herkent het oproep commando niet.

OPLOSSING: Zet het apparaat uit en breng het apparaat terug waar u het heeft gekocht, of ga naar de dichtstbijzijnde Yamaha Service Center voor reparatie.

E 2: MIDI Ontvangst Buffer Vol

ORZAAK: Te veel MIDI data wordt op hetzelfde moment ontvangen door de DG versterker.

OPLOSSING: Probeer de hoeveelheid verstuurde data terug te brengen, of verdeel de data in kleinere blokken.

E 3: Communicatie Fout

ORZAAK: Een afwijking wordt ontdekt tijdens MIDI communicatie.

OPLOSSING: Controleer alle aansluitingen enz. en probeer het opnieuw.

E 4: Bulk Receive Check Sum Error.

ORZAAK: De check sum komt niet overeen met de ontvangen MIDI bulk data.

OPLOSSING: Controleer alle aansluitingen en data en probeer het opnieuw.

E 5: Bulk Ontvangst Data Afwijking

ORZAAK: Een afwijking wordt ontdekt in de ontvangen MIDI bulk data.

OPLOSSING: Controleer alle aansluitingen en data en probeer het opnieuw.

E 6: Backup Batterij Fout

ORZAAK: De backup batterij is op.

OPLOSSING: Doorgaan met het gebruiken van het apparaat kan resulteren in verlies van data. Breng het apparaat terug naar de muziek dealer waar u het heeft gekocht of naar het dichtstbijzijnde Yamaha Service center en laat de batterij vervangen.

Specificaties

Digitaal Gedeelte

Volledige Digitale Signaal Processing
 Interne 8 Kanaals Preset
 Digitale Reverb (SPRING/HALL/PLATE)
 Digitale effecten (Tremolo, Chorus, Tape Echo)
 Speaker Simulator (LINE OUT)

Analoog Gedeelte

DG100-212A : 100 W (4 OHMS) Solid State Power Amp
 30 cm Luidspreker (Celestion Vintage 30) x 2

DG80-210A : 80 W (8 OHMS) Solid State Power Amp
 25 cm Luidspreker (V10-60) x 2

DG80-112A : 80 W (8 OHMS) Solid State Power Amp
 30 cm Luidspreker (Celestion G12H-100) x 1

DG130HA : 130 W (4 OHMS) Solid State Power Amp

MIDI Function


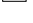
Receive : Program change, Control Change (No. 7, 91, 92, 93, 94), Bulk In

Transmit : Bulk Out, Merge Out

knoppen/Schakelaar

Frontpaneel : TRIM, OUTPUT, GAIN (TREMOLO SPEED), MASTER (TREMOLO DEPTH), TREBLE (CHORUS SPEED), HIGH MID (CHORUS DEPTH), LOW MID (CHORUS LEVEL), BASS (TAPE ECHO TIME), PRESENCE (TAPE ECHO FEED BACK), REVERB (TAPE ECHO LEVEL)

Achterpaneel : LINE OUT volume, EFFECT BLEND

Schakelaar : AMP SELECT (LEAD1, LEAD2, DRIVE1, DRIVE2, CRUNCH1, CRUNCH2, CLEAN1, CLEAN2), REVERB, MODE, , , STORE, RECALL

Display

AMP SELECT display LED x 8, MODE display LED x 3
 REVERB type display x 3, 7 segment LED x 2 digits

Indicator

Trim Niveau Display LED (Groen)
 Trim Clip Display LED (Rood)

Aansluiting Jacks

INPUT HIGH/LOW: Standaard Phone Mono Jack
 SPEAKER (DG100-212A: x1, DG80-210A: x2, DG80-112A: x2, DG130HA: x2): Standaard Phone Mono Jack
 EFFECT SEND/RETURN: Standaard Phone Mono Jack
 LINE OUT: Cannon Jack
 MIDI IN, MIDI OUT: 5 pin DIN

A/D Converter 20 bit

D/A Converter 20 bit

Sampling Frequentie 48 kHz

Aantal Geheugens 128

Input Niveau/Impedantie

INPUT HIGH: -30 dBm (THRU) / 1M OHMS
 INPUT LOW: -20 dBm (THRU) / 1M OHMS
 EFFECT RETURN: 0 dBm / 120k OHMS

Output Niveau/Impedantie

DG100-212A

LUIDSPREKER: 100 W RMS / 4 OHMS
 LINE OUT: +4 dBm / 600 OHMS
 EFFECT SEND: 0 dBm / 2.2k OHMS

DG80-210A/DG80-112A

LUIDSPREKER: 80 W RMS / 8 OHMS, 100 W RMS / 4 OHMS
 LINE OUT: +4 dBm / 600 OHMS
 EFFECT SEND: 0 dBm / 2.2k OHMS

DG130HA

LUIDSPREKER: 130 W RMS / 4 OHMS
 LINE OUT: +4 dBm / 600 OHMS
 EFFECT SEND: 0 dBm / 2.2k OHMS

Stroomvoorziening 230 V, 50 Hz

Opgenomen Vermogen

DG100-212A : 100 W
DG80-210A : 100 W
DG80-112A : 100 W
DG130HA : 140 W

Afmetingen (B x H x D)

DG100-212A : 712 x 574 x 284 mm W/Caster
DG80-210A : 595 x 471 x 284 mm
DG80-112A : 542 x 510 x 284 mm
DG130HA : 711 x 250 x 284 mm

Gewicht

DG100-212A : 33.5 kg
DG80-210A : 26.0 kg
DG80-112A : 25.0 kg
DG130HA : 18.0 kg

* Specificaties en uiterlijk kunnen zich wijzigen zonder dat hier vantevoren kennis van wordt gegeven..

De S412V/S112 gebruiken

S412V

De S412V is een luidsprekerkast uitgerust met vier Celestion "Vintage 30" luidsprekers.

- * Het vermogen is 240 W. Gebruik een versterker met een vermogen output van minder dan 240 W.
- * De impedantie is 8 OHMS. Controleer de impedantie van de versterker en zorg ervoor dat deze voldoet aan de eisen van de luidsprekers.
- * Zorg ervoor, als u meer dan twee luidsprekers gebruikt, dat de totale impedantie overeenkomt met de vereisten van de versterker. Zie het "Luidsprekers Aansluiten" gedeelte op pagina 73.

■ Specificaties

Luidsprekers	30cm Luidspreker (Celestion "Vintage 30") x 4
Vermogen	240 W
Impedantie	8 OHMS
Afmetingen (BxHxD)	765 x 820 x 359 mm (m/hoeken)
Gewicht	44.0 kg (m/hoeken)
Accessories	Luidspreker Kabel

● Luidspreker

Luidspreker Afmeting	30 cm (12")
Voice Coil Afmeting	44ø mm
Magneet	Ferrite 1.42 kg
Frequentie Bereik	70 Hz – 5 kHz
Gevoeligheid	100 dB (1 m/W)
Vermogen	60 W (RMS)
Nominale Impedantie	8 OHMS
Fundamentele Frequentie	70 Hz

* Specificaties en uiterlijk kunnen zich wijzigen zonder dat hier vantevoren kennis van wordt gegeven.

S112

De S112 is een luidsprekerkast uitgerust met een Celestion "G12H-100" luidspreker.

- * Het vermogen is 100 W. Gebruik een versterker met een vermogen output van minder dan 100 W.
- * De impedantie is 8 OHMS. Controleer de impedantie van de versterker en zorg ervoor dat deze voldoet aan de eisen van de luidsprekers.
- * Zorg ervoor, als u meer dan twee luidsprekers gebruikt, dat de totale impedantie overeenkomt met de vereisten van de versterker. Zie het "Luidsprekers Aansluiten" gedeelte op pagina 73.

■ Specificaties

Luidsprekers	30cm Luidspreker (Celestion "G12H-100") x 1
Vermogen	100 W
Impedantie	8 OHMS
Afmetingen (BxHxD)	542 x 510 x 284 mm
Gewicht	16.0 kg
Accessories	Luidspreker Kabel

● Luidspreker

Luidspreker Afmeting	30 cm (12")
Voice Coil Afmeting	44ø mm
Magneet	Ferrite 1.42 kg
Frequentie Bereik	82 Hz – 5.5 kHz
Gevoeligheid	100 dB (1 m/W)
Vermogen	100 W (RMS)
Nominale Impedantie	8 OHMS
Fundamentele Frequentie	82 Hz

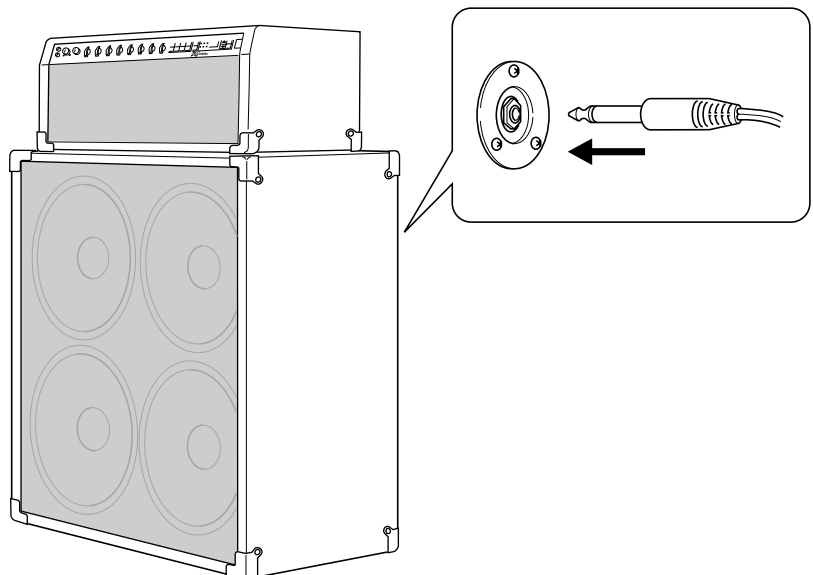
* Specificaties en uiterlijk kunnen zich wijzigen zonder dat hier vantevoren kennis van wordt gegeven.

■ Het aansluiten

1. Zet de versterker uit en zet het volume op "0".

* Sluit u de luidsprekers aan met de versterker aan terwijl de versterker aanstaat of als het volume omhoog staat, kan dit resulteren in schade aan de luidspreker of versterker.

2. Sluit met een bijgeleverde luidsprekerkabel de phone jack op de achterkant van de S412V/S112 kast aan op de hoofd output jack van de versterker (de SPEAKER jack op de DG Series Versterker).



Function ...	Transmitted	Recognized	Remarks
Basic Default	: x	: 1 - 16, off	: memorized
Channel Changed	: x	: 1 - 16, off	:
Mode Default	: x	: 1,3	: memorized
Mode Messages	: x	: x	:
Mode Altered	: *****	: x	:
Note	: x	: x	:
Number : True voice	: *****	: x	:
Velocity Note ON	: x	: x	:
Velocity Note OFF	: x	: x	:
After Key's	: x	: x	:
Touch Ch's	: x	: x	:
Pitch Bender	: x	: x	:
Control 0 - 6	: x	: x	:
Control 7	: x	: o	: Main Volume
Control 8 - 90	: x	: x	:
Control 91	: x	: o	: Reverb Level
Control 92	: x	: o	: Tremolo Depth
Control 93	: x	: o	: Chorus Level
Change 94	: x	: o	: Tape Echo Level
Change 95 - 127	: x	: x	:
Prog	: x	: o 0 - 127	: Program Change
Change : True #	: *****	:	: Number 1-128
System Exclusive	: o	: o	: Bulk Dump
System : Song Pos.	: x	: x	:
System : Song Sel.	: x	: x	:
common : Tune	: x	: x	:
System :Clock	: x	: x	:
Real Time :Commands	: x	: x	:
Aux :All Sound OFF	: x	: x	:
Aux :Reset All Cntrls	: x	: x	:
Aux :Local ON/OFF	: x	: x	:
Aux :All Notes OFF	: x	: x	:
Mes- :Active Sense	: o	: x	:
sages:Reset	: x	: x	:
Mode 1 : OMNI ON, POLY		Mode 2 : OMNI ON, MONO	o : Yes
Mode 3 : OMNI OFF, POLY		Mode 4 : OMNI OFF, MONO	x : No

Patch List / Liste de patch / Preset-Liste Lista de parches / Lista Patch / Patch lijst

PRESET	NAME	DESCRIPTION	STYLE
1	BRITISH LOVE	Lead 2 + Chorus + Long Delay + Hall Reverb	Hard Rock/Heavy Metal
2	LUSH CHORUS	Clean 1 + Chorus + Hall Reverb	Texture Rhythm
3	VIBE-BRO	Clean 1 + Tremolo + Hall Reverb	American Blues
4	ZZ BLUE	Lead 2 + Short Delay	Texas Rock
5	GAMMA MAN	Drive 2 + Long Delay	San Fransisco Rock
6	DEEP SWELLS	Clean 2 + Chorus + Long Delay + Hall Reverb	Texture/Soundtrack
7	MERCY BUS	Drive 2 + Plate Reverb	Texas/Southern Rock
8	NY FUSE	Clean 2 + Chorus + Medium Delay + Hall Reverb	Fusion
9	FOREVER CLEAR	Crunch 2	Punk/Pop
10	SOUL FOOD	Clean 1 + SlapDelay	Funk/Soul
11	JAZZIN	Clean 1	New York Fingerstyle
12	BLUE- Z	Drive 2 + Tremolo + Short Delay + Spring Reverb	Cool Blues
13	TREM-PIPE	Clean 1 + Fast Tremolo + Short Delay	Surf/Blues
14	POP CRUNCH	Crunch 1 + Chorus + Short Delay + Plate Reverb	Rock/Pop
15	CRAZY DIAMOND	Crunch 1 + Chorus + Long Delay + Hall Reverb	ArtRock Ballad
16	TWANG THANG	Clean 2 + Slapback Delay + Spring Reverb	Country
17	FLYING DREAM	Lead 2 + Chorus + Long Delay + Hall Reverb	Rock Instrumental
18	WIRED TWIN	Clean 1 + Short Delay	British Jazz/Rock
19	FAT GRUNGE	Crunch 2 + Tremolo + Medium Delay + Hall Reverb	Grunge Rock
20	70's CRUNCH	Crunch 2 + Medium Delay	British Blues Rock
21	SHAKIN	Lead 2 + Short Delay	Australia Hard Rock
22	MATCHBOX	Drive 2 + Slow Tremolo + Spring Reverb	American Blues/Pop
23	SWEET GYPSY	Drive 2 + Long Delay	Vintage Blues/Rock
24	BRITISH TREM	Drive 2 + Fast Tremolo	British Rock/Pop
25	LITTLE NEMO	Lead 2 + Plate Reverb	British 70's Rock
26	LA GREASE	Lead 2 + Chorus + Medium Delay + Hall Reverb	LA Studio Rock
27	LONESTAR	Drive 2 + Slapback Delay + Hall Reverb	Texas Blues
28	FUTURE TREM	Crunch 2 + Fast Tremolo + Hall Reverb	Modern Rock
29	VIBE-DRIVE	Lead 2 + Chorus + Tremolo + Hall Reverb	Modern Rock
30	METALHEAD	Lead 2 + Hall Reverb	Dallas Metal
31	ROCKIN MAN	Lead 1 + Chorus + Medium Delay + Hall Reverb	80's Radio Rock
32	SURF KING	Clean 1 + Fast Tremolo + Short Delay	Malibu Surf Rock
33	TEXAS BLUES	Drive 2 + Short Delay	Texas Blues
34	MEMPHIS TREM	Clean 1 + Tremolo + Spring Reverb	Memphis Country Blues
35	BLUE JEANS	Drive 2 + Spring Reverb	Texas Rock Ballad
36	CHICAGO DOG	Crunch 1	Chicago Blues
37	WARM STACK	Lead 1 + Hall Reverb	Classic Rock
38	PRINCE-TONE	Clean 1	American Rock/Blues
39	CUTTING EDGE	Clean 1 + Long Delay	Irish Rock/Pop
40	ALIEN	Crunch 2 + Fast Chorus + Fast Tremolo + Long Delay + Hall Reverb	Experimental
41	LATIN MAGIC	Crunch 2 + Medium Delay + Spring Reverb	San Fransisco Rock
42	SMOOTH SAND	Lead 1 + Short Delay + Hall Reverb	Fusion
43	NEON METAL	Lead 2 + Long Delay	80's Metal
44	ETERNAL	Crunch 2 + 2 Second Delay with Long Feedback	Experimental
45	SPIN	Clean 1 + Chorus + Tremolo + Delay + Spring Reverb	Experimental
46	LOST CAVERN	Clean 1 + Chorus + Long Delay + Hall Reverb	Experimental
47	ZAPPED	Drive 2 + Medium Delay + Spring Reverb	Austin Rock
48	DRY ECHO	Clean 1 + Long Delay w/ 1 Repeat	Experimental
49	MIRRORS	Lead 2 + Long Delay + Plate Reverb	Experimental
50	FUNK 48	Drive 2 + Plate Reverb	Classic Rock
51	CLASSIC BOP	Clean 1 + Hall Reverb	Jazz
52	FINGERS	Clean 2 + Chorus + Hall Reverb	Rock Pop Fingerstyle
53	PROG-ROCK	Lead 2 + Chorus + Medium Delay + Hall Reverb	Art Rock
54	SOUTHERN STEP	Clean 1 + Plate Reverb	Southern Rock
55	TEJAS	Crunch 2 + Tremolo	Texas Blues
56	SHUFFLIN	Crunch 2	Blues
57	WARM CHORUS	Clean 2 + Chorus	Experimental
58	MID-BOOST	Drive 2 + Spring Reverb (Mids Boosted)	British Rock/Pop
59	T-BOOST	Drive 2 (Highs Boosted)	British Rock/Pop
60	NASHVILLE CAT	Crunch 1 + Slapback Delay	Country
61	RISING SON	Lead 2 + Delay	Swedish Metal
62	FUSION ACE	Crunch 2 + Chorus + Medium Delay + Spring Reverb	Fusion
63	HYBRID	Clean 1 + Tremolo + Chorus	Fusion
64	TAPPIN	Lead 1 + Medium Delay + Hall Reverb	LA Metal
65	FUNK-A	Clean 1	Detroit Funk
66	ROCK FUSION	Lead 1 + Medium Delay + Hall Reverb	British Jazz/Rock
67	GROWLIN	Drive 2 + Tremolo + Short Delay	Rock
68	SHIMMER	Clean 1 + Chorus + Plate Reverb	Rock
69	METAL CHORUS	Lead 1 + Heavy Chorus + Plate Reverb	Metal
70	DR PUNK	Drive 1 + Slapback Delay	Punk
71	90's SHINE	Lead 2 + Delay + Hall Reverb	90's Pop/Rock
72	BACKROOM	Lead 1 + Short Chorus + Short Delay	Rock
73	PAGEBREAKER	Lead 2 + Plate Reverb	Classic Rock
74	NERVES	Crunch 1 + Chorus + Tremolo + Short Delay	Experimental
75	FAT NECK	Drive 1 + Slapback Delay	Seattle Blues
76	CRYIN WIND	Lead 2 + Chorus + Medium Delay + Spring Reverb	Seattle Blues
77	VOODOO	Lead 1 + Long Delay + Hall Reverb	Seattle Blues/Rock
78	ANTHEM RUSH	Drive 1 + Chorus + Medium Delay + Hall Reverb	Canadian ArtRock
79	SHADES	Clean 2 + Chorus + Tremolo + Delay + Hall Reverb	Experimental
80	CHICK-N-PICK	Clean 1 + Slapback Delay	British Country



Free Manuals Download Website

<http://myh66.com>

<http://usermanuals.us>

<http://www.somanuals.com>

<http://www.4manuals.cc>

<http://www.manual-lib.com>

<http://www.404manual.com>

<http://www.luxmanual.com>

<http://aubethermostatmanual.com>

Golf course search by state

<http://golfingnear.com>

Email search by domain

<http://emailbydomain.com>

Auto manuals search

<http://auto.somanuals.com>

TV manuals search

<http://tv.somanuals.com>