

YAMAHA

Marine

Outboard



24/34
54
OWNER'S MANUAL

U.S.A. Edition
LIT-18626-03-58 ●

TO THE OWNER

Thank you for choosing a Yamaha outboard motor. This Owner's Manual contains information needed for proper operation, maintenance and care. A thorough understanding of these simple instructions will help you obtain maximum enjoyment from your new Yamaha.

If you have any question about the operation or maintenance of your outboard motor, please consult a Yamaha dealer.

In this Owner's Manual particularly important information is distinguished in the following ways.



The Safety Alert Symbol means **ATTENTION! BECOME ALERT! YOUR SAFETY IS INVOLVED!**

WARNING

Failure to follow WARNING instructions could result in severe injury or death to the machine operator, a bystander, or a person inspecting or repairing the outboard motor.

CAUTION:

A CAUTION indicates special precautions that must be taken to avoid damage to the outboard motor.

NOTE:







A NOTE provides key information to make procedures easier or clearer.

* Yamaha continually seeks advancements in product design and quality. Therefore, while this manual contains the most current product information available at the time of printing, there may be minor discrepancies between your machine and this manual. If there is any question concerning this manual, please consult your Yamaha dealer.

Yamaha Motor Co., Ltd.

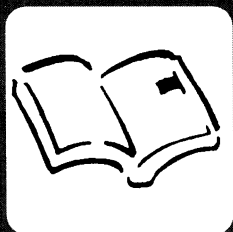
**2Y/3Y/5Y
OWNER'S MANUAL
©1999 by Yamaha Motor Co., Ltd.
1st Edition, March 1999
All rights reserved. Any reprinting or
unauthorized use without the written
permission of Yamaha Motor Co.,Ltd.
is expressly prohibited.
Printed in Japan
P/N LIT-18626-03-58**

CONTENTS

	GENERAL INFORMATION	1
	BASIC COMPONENTS	2
	OPERATION	3
	MAINTENANCE	4
	TROUBLE RECOVERY	5
	INDEX	6

**READ THIS OWNER'S MANUAL CAREFULLY
BEFORE OPERATING YOUR OUTBOARD MOTOR.**

EMB00010



Chapter 1 GENERAL INFORMATION



**IDENTIFICATION NUMBERS
RECORD** 1-1
 Outboard motor serial number 1-1

EMISSION CONTROL INFORMATION . 1-2

SAFETY INFORMATION 1-3

IMPORTANT LABELS 1-5

BASIC BOATING RULES 1-6

FUELING INSTRUCTIONS 1-10
 Gasoline 1-11
 Engine oil 1-11

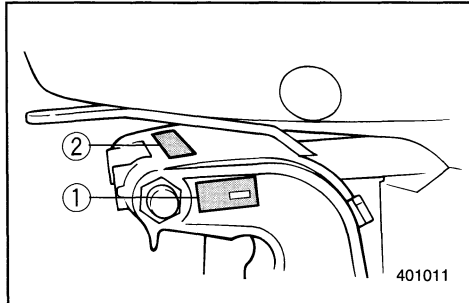
PROPELLER SELECTION 1-12

START-IN-GEAR PROTECTION 1-13



EMB10010

IDENTIFICATION NUMBERS RECORD



OUTBOARD MOTOR SERIAL NUMBER

YAMAHA																							
YAMAHA MOTOR CO., LTD.																							
MADE IN JAPAN																							
PAYS D'ORIGINE JAPON																							

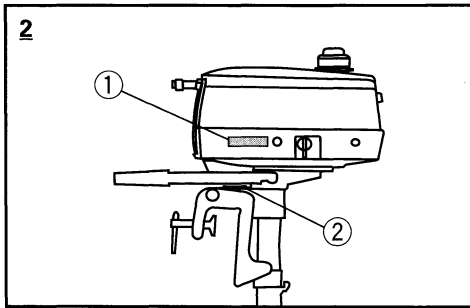
The outboard motor serial number is stamped on the label attached to the port side of the clamp-bracket. (2-hp model: attached the upper part of the swivel bracket.)

Record your outboard motor serial number in the spaces provided to assist you in ordering spare parts from your Yamaha dealer or for reference in case your outboard motor is stolen.

- ① Outboard motor serial number
- ② (2-hp model: outboard motor serial number)



EMU01079*

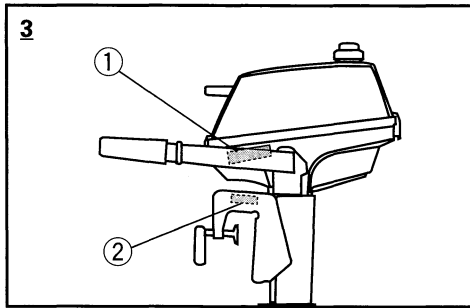


EMISSION CONTROL INFORMATION

This engine conforms to 2000 U.S. Environmental Protection Agency (EPA) regulation for marine SI engines.

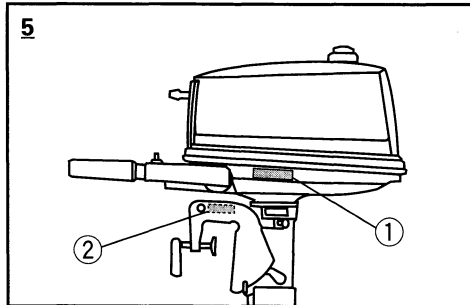
Approval label of Emission control certificate

This label is attached to the bottom cowling.



① Emission control information label

EMISSION CONTROL INFORMATION	
ENGINE FAMILY : _____	
THIS ENGINE CONFORMS TO 2000 U.S. EPA REGULATIONS FOR MARINE SI ENGINES.	
FELs : _____ g/kw-hr	IDLE SPEED : _____ rpm IN NEUTRAL
SPARK PLUG : _____	SPARK PLUG GAP (mm) : _____
YAMAHA MOTOR CO.,LTD.	



Existing Technology ; N/A

Manufactured date label

This label is attached to the clamp bracket or the swivel bracket.

② Manufactured date label

YAMAHA	Manufactured: <input type="text"/>
---------------	------------------------------------



EMU00917



SAFETY INFORMATION

- Before mounting or operating the outboard motor, read this entire manual. Reading it should give you an understanding of the motor and its operation.
- Before operating the boat, read any owner's or operator's manuals supplied with it and all labels. Be sure you understand each item before operating.
- Do not overpower the boat with this outboard motor. Overpowering the boat could result in loss of control. The rated power of the outboard should be equal to or less than the rated horsepower capacity of the boat. If the rated horsepower capacity of the boat is unknown, consult the dealer or boat manufacturer.
- Do not modify the outboard. Modifications could make the motor unfit or unsafe to use.
- Never operate after drinking alcohol or taking drugs. About 50% of all boating fatalities involve intoxication.
- Have an approved personal flotation device (PFD) on board for every occupant. It is a good idea to wear a PFD whenever boating. At a minimum, children and non-swimmers should always wear PFDs, and everyone should wear PFDs when there are potentially hazardous boating conditions.
- Gasoline is highly flammable, and its vapors are flammable and explosive. Handle and store gasoline carefully. Make sure there are no gas fumes or leaking fuel before starting the engine.
- This product emits exhaust gases which contain carbon monoxide, a colorless, odorless gas which may cause brain damage or death when inhaled. Symptoms include nausea, dizziness, and drowsiness. Keep cockpit and cabin areas well ventilated. Avoid blocking exhaust outlets.
- Check throttle, shift, and steering for proper operation before starting the engine.
- Attach the engine stop switch lanyard to a secure place on your clothing, or your arm or leg while operating. If you accidentally leave the helm, the lanyard will pull from the switch, stopping the engine.
- Know the marine laws and regulations where you will be boating - and obey them. Refer to "RULES OF THE ROAD" section for basic boating rules.
- Stay informed about the weather. Check weather forecasts before boating. Avoid boating in hazardous weather.
- Tell someone where you are going: leave a Float Plan with a responsible person. Be sure to cancel the Float Plan when you return.
- Use common sense and good judgment when boating. Know your abilities, and be sure you understand how your boat handles under the different boating conditions you may encounter. Operate within your limits, and the limits of your boat. Always operate at safe speeds, and keep a careful watch for obstacles and other traffic.
- Always watch carefully for swimmers during the engine operation.
- Stay away from swimming areas.



- When a swimmer is in the water near you shift into neutral and shut off the engine.
- Be informed about boating safety. Additional publications and information can be obtained from many organizations, including the following:

United States Coast Guard

Consumer Affairs Staff (G-BC)
Office of Boating, Public, and Consumer Affairs
U.S. Coast Guard Headquarters
Washington, D.C. 20593-0001
Boating Safety Hotline: 1-800-368-5647

National Marine Manufacturers Association (NMMA)

401 N. Michigan Ave.
Chicago, IL 60611

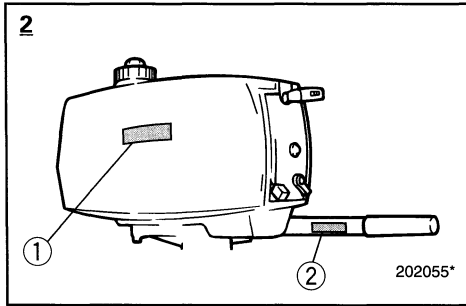
Marine Retailers Association of America

155 N. Michigan Ave.
Chicago, IL 60601



EMB30010

IMPORTANT LABELS WARNING LABELS

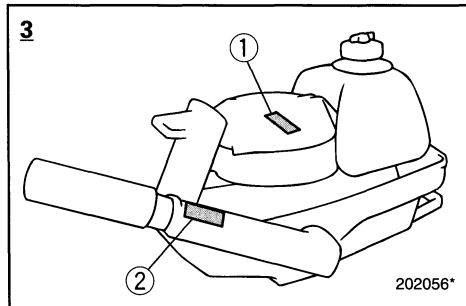


①

WARNING

- Be sure shift control is in neutral before starting engine. (except 2HP)
- Do not touch or remove electrical parts when starting or during operation.
- Keep hands, hair, and clothes away from flywheel and other rotating parts while engine is running.

YAMAHA 6A1-83625-41



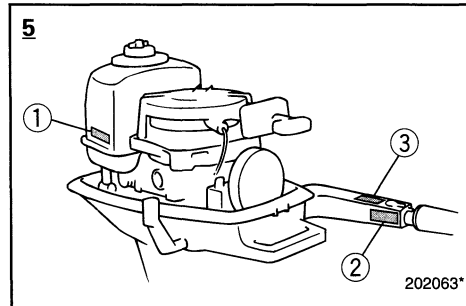
②

WARNING

LEAKING FUEL COULD CAUSE A FIRE.
Before tilting up the engine or laying it on its side:

- Turn the fuel cock to the "closed" position.
- Tighten the air-vent screw on the fuel tank cap.

YAMAHA 6A1-2415A-41



③

WARNING

This engine is equipped with a neutral starting device. The engine will not start unless the shift control is in neutral position.

YAMAHA 6E0-83627-41



EMB40010

BASIC BOATING RULES (Rules of the road)

Just as there are rules which apply when you are driving on streets and high ways, there are waterway rules which apply when you are driving your boat. These rules are used internationally, and are also enforced by the United States Coast Guard and local agencies. You should be aware of these rules, and follow them whenever you encounter another vessel on the water.

Several sets of rules prevail according to geographic location, but are all basically the same as the International Rules of the Road. The rules presented here in your Owner's Manual are condensed, and have been provided for your convenience only. Consult your local U.S. Coast Guard Auxiliary or Department of Motor Vehicles for a complete set of rules governing the waters in which you will be using your boat.

STEERING AND SAILING RULES AND SOUND SIGNALS

Whenever two vessels on the water meet one another, one vessel has the right-of-way; it is called the "stand-on" vessel. The vessel which does not have the right-of-way is called the "give-way" or "burdened" vessel. These rules determine which vessel has the right-of-way, and what each vessel should do.

Stand-on Vessel

The vessel with the right-of-way has the duty to continue its course and speed, except to avoid an immediate collision. When you maintain your direction and speed, the other vessel will be able to determine how best to avoid you.

Give-way Vessel

The vessel which does not have the right-of-way has the duty to take positive and timely action to stay out of the way of the Stand-On vessel. Normally, you should not cross in front of the vessel with the right-of-way. You should slow down or change directions briefly and pass behind the other vessel. You should always move in such a way that the operator of the other vessel can see what you are doing.

"The general prudential rule"

This rule is called Rule 2 in the International Rules and says,

'In obeying and construing these rules due regard shall be had to all dangers of navigation and collision, and to any special circumstances, which may render a departure from the above rules necessary in order to avoid immediate danger.'

In other words, follow the standard rules except when a collision will occur unless both vessels try to avoid each other. If that is the case, both vessels become "Give-Way" vessels.



RULES WHEN ENCOUNTERING VESSELS

There are three main situations which you may encounter with other vessels which could lead to a collision unless the Steering Rules are followed:

Meeting

(you are approaching another vessel head-on)

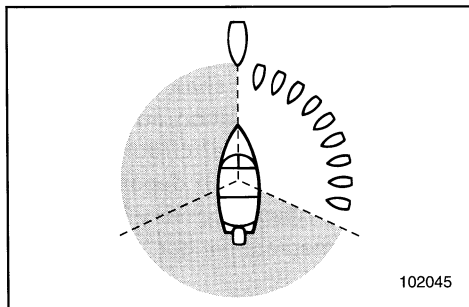
Crossing

(you are travelling across the other vessel's path)

Overtaking

(you are passing or being passed by another vessel)

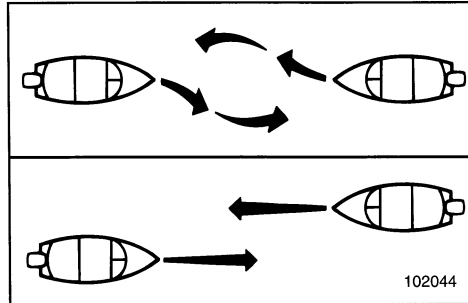
In the following illustration, your boat is in the center. You should give the right-of-way to any vessels shown in white area (you are the Give-Way vessel). Any vessels in the shaded area must yield to you (they are the Give-Way vessels). Both you and the meeting vessel must alter course to avoid each other.



Meeting

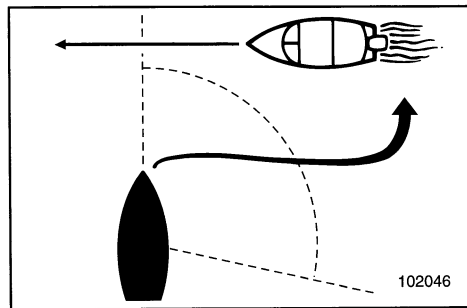
If you are meeting another power vessel head on, and are close enough to run the risk of collision, neither of you has the right-of-way! Both of you should alter course to avoid an accident. You

should keep the other vessel on your port (left) side. This rule doesn't apply if both of you will clear one another if you continue on your set course and speed.



Crossing

When two power driven vessels are crossing each other's path close enough to run the risk of collision, the vessel which has the other on the starboard (right) side must keep out of the way of the other. If the other vessel is on your right, you must keep out of its way; you are the Give-Way vessel. If the other vessel is on your port (left) side, remember that you should maintain course and direction, provided the other vessel gives you the right-of-way as it should.



Overtaking

If you are passing another vessel, you are the "Give-Way" vessel. This means that the other vessel is expected to



maintain its course and speed. You must stay out of its way until you are clear of it. Likewise, if another vessel is passing you, you should maintain your speed and direction so that the other vessel can steer itself around you.

OTHER SPECIAL SITUATIONS

There are three other rules you should be aware of when driving your boat around other vessels.

Narrow Channels and Bends

When navigating in narrow channels, you should keep to the right when it is safe and practical to do so. If the operator of a power-driven vessel is preparing to go around a bend that may obstruct the view of other water vessels, the operator should sound a prolonged blast on the whistle (4 to 6 seconds). If another vessel is around the bend, it too should sound the whistle. Even if no reply is heard, however, the vessel should still proceed around the bend with caution. If you navigate such waters with your boat, you will need to carry a portable air horn, available from local marine supply stores.

Fishing Vessel Right-of-way

All vessels which are fishing with nets, lines or trawls are considered to be "fishing vessels" under the International Rules. Vessels with trolling lines are not considered fishing vessels. Fishing vessels have the right-of-way regardless of position. Fishing vessels cannot, however, impede the passage of other vessels in narrow channels.

Sailing Vessel Right-of-way

Sailing vessels should normally be given the right-of-way. The exceptions to this are:

1. When the sailing vessel is overtaking the power-driven vessel, the power-driven vessel has the right-of-way.
2. Sailing vessels should keep clear of any fishing vessel.
3. In a narrow channel, a sailing vessel should not hamper the safe passage of a power-driven vessel which can navigate only in such a channel.

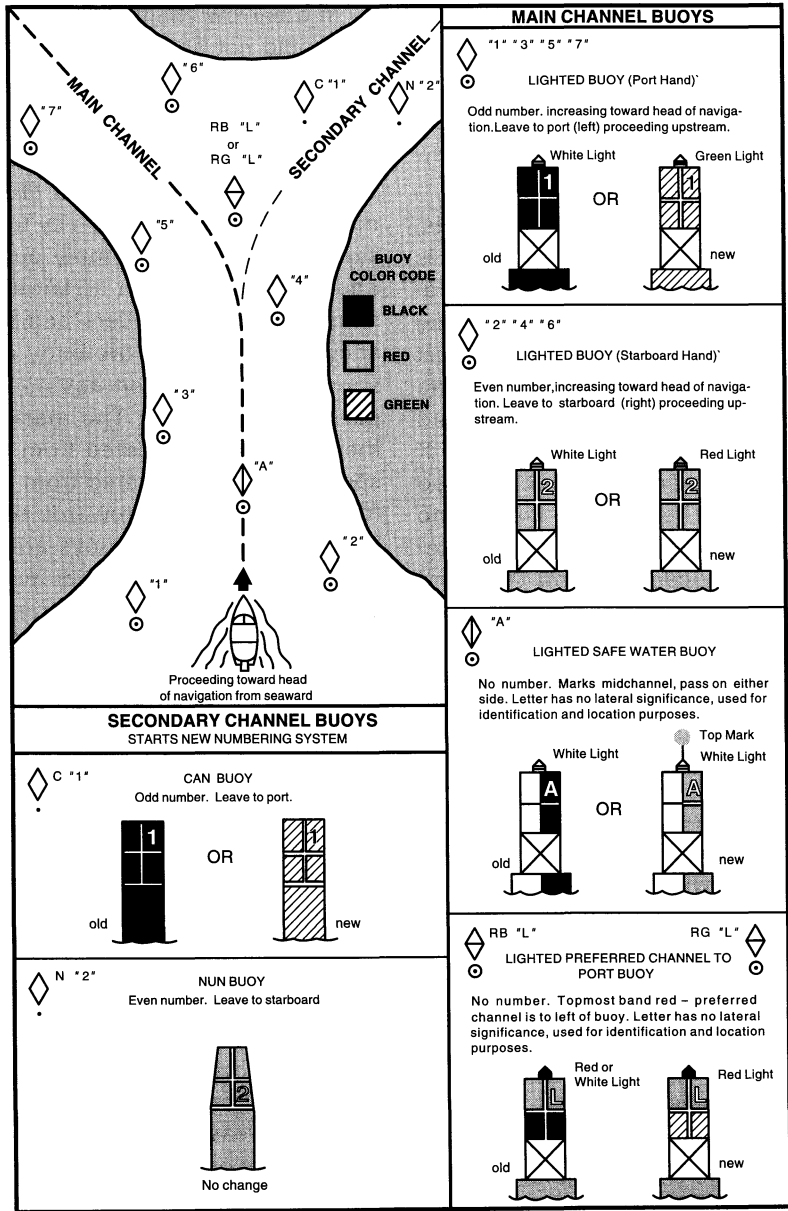
Reading Buoys and Other Markers

The waters of the United States are marked for safe navigation by the lateral system of buoyage. Simply put, buoys and markers have an arrangement of shapes, colors, numbers and lights to show which side of the buoy a boater should pass on when navigating in a particular direction. The markings on these buoys are oriented from the perspective of being entered from seaward (the boater is going towards the port). This means that red buoys are passed on the starboard (right) side when proceeding from open water into port, and black buoys are to port (left) side. When navigating out of port, your position with respect to the buoys should be reversed; red buoys should be to port and black buoys to starboard.

Many bodies of water used by boaters are entirely within the boundaries of a particular state. The Uniform State Waterway Marking System has been devised for these waters. This system uses buoys and signs with distinctive shapes and colors to show regulatory or advisory information. These markers are white with black letters and orange borders. They signify speed zones, restricted areas, danger areas, and general information.



Remember, markings may vary by geographic location. Always consult local boating authorities before driving your boat in unfamiliar waters.



102052



EMU00016

FUELING INSTRUCTIONS

⚠ WARNING

GASOLINE AND ITS VAPORS ARE HIGHLY FLAMMABLE AND EXPLOSIVE!

- Do not smoke when refueling, and keep away from sparks, flames, or other sources of ignition.
- Stop engine before refueling.
- Refuel in a well-ventilated area. Refuel portable fuel tanks off the boat.
- Take care not to spill gasoline. If gasoline spills, wipe it up immediately with dry rags.
- Do not overfill the fuel tank.
- Tighten the filler cap securely after refueling.
- If you should swallow some gasoline inhale a lot of gasoline vapor, or get gasoline in your eyes, get immediate medical attention.
- If any gasoline spills onto your skin, immediately wash with soap and water. Change clothing if gasoline spills on it.
- Touch the fuel nozzle to the filler opening or funnel to help prevent electrostatic sparks.

CAUTION:

Use only new clean gasoline which has been stored in clean containers and is not contaminated with water or foreign matter.



EMU00018

GASOLINE (PETROL)**Recommended gasoline:**

Regular unleaded gasoline with a minimum octane rating of 86 (Pump Octane Number) = $(R+M)/2$

If knocking or pinging occurs, use a different brand of gasoline or premium unleaded fuel. If unleaded gasoline is not available, then leaded regular gasoline can be used.

EMU00027

Gasohol

There are two types of gasohol: gasohol containing ethanol and that containing methanol. Gasohol containing ethanol can be used if ethanol content does not exceed 10% and the fuel meets minimum octane ratings. Gasohol containing methanol is not recommended by Yamaha because it can cause fuel system damage or engine performance problems.

EMU00858

ENGINE OIL**Recommended engine oil:**

YAMALUBE 2 STROKE OUTBOARD OIL

If the recommended engine oil is not available, another 2-stroke engine oil with a NMMA-certified TC-W3 rating may be used.



PROPELLER SELECTION

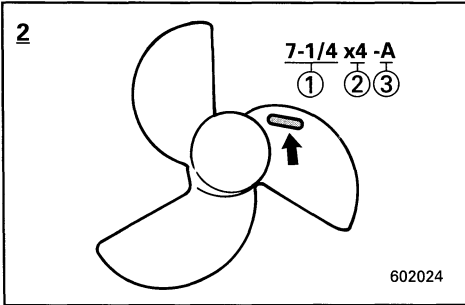
The performance of your outboard motor will be critically affected by your choice of propeller, for an incorrect one could adversely affect performance and could seriously damage the motor. The engine speed depends on the propeller size and the boat load. If the engine speed is too high or too low for good engine performance, this will have an adverse effect on the engine.

Yamaha outboard motors are fitted with propellers chosen to perform well over a range of applications, but there may be uses where a propeller with a different pitch would be better. For a greater operating load, a smaller-pitch propeller is more suitable as it enables the correct engine speed to be maintained. Conversely, a larger-pitch propeller is more suitable for a smaller operating load.

Yamaha dealers stock a range of propellers, and can advise you and install a propeller on your outboard that is best suited to your application.

NOTE: _____

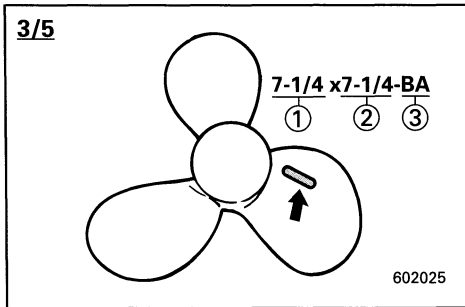
Select a propeller which will allow the engine to reach the middle or upper half of the operating range at full throttle with the maximum boat load. If operating conditions such as light boat loads then allow the engine rpm to rise above the maximum recommended range, reduce the throttle setting to maintain the engine in the proper operating range.



Recommended full throttle operating range; Refer to SPECIFICATIONS, Page 4-1.

- ① Propeller diameter (in inches)
- ② Propeller pitch (in inches)
- ③ Type of propeller (Propeller mark)

Propeller removal and installation; Refer to propeller checking section in Chapter 4.

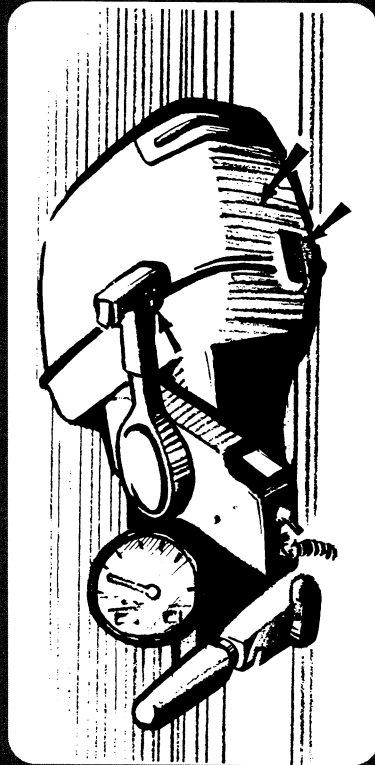
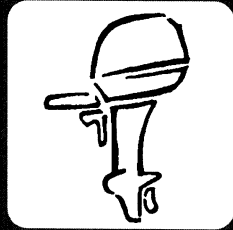


EMU00901

START-IN-GEAR PROTECTION

5

Yamaha outboard motor has the start-in-gear protection device(s). This feature permits the engine to be started only when it is Neutral. Always select Neutral before starting the engine.



EMC00010

Chapter 2

BASIC COMPONENTS

MAIN COMPONENTS2-1

2

OPERATIONS OF CONTROLS AND
OTHER FUNCTIONS2-4

Fuel tank2-4

Gear shift lever2-5

Engine stop button2-6

Throttle control2-6

Choke knob2-7

Recoil starter handle2-7

Tiller handle2-8

Fuel cock2-8

Throttle friction adjustment2-9

Steering friction adjustment2-10

Trim angle adjusting rod2-10

Tilt support knob2-11

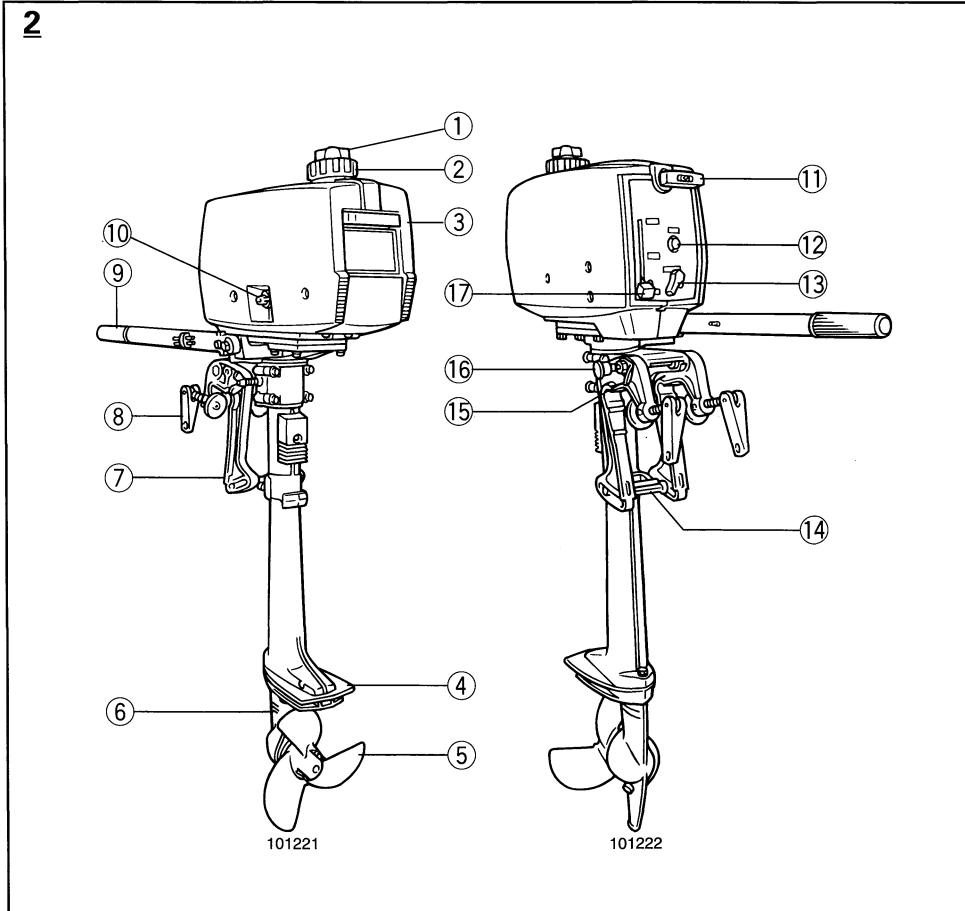
Tilt support bar2-11

Top cowling lock lever2-12



EMC10010

MAIN COMPONENTS

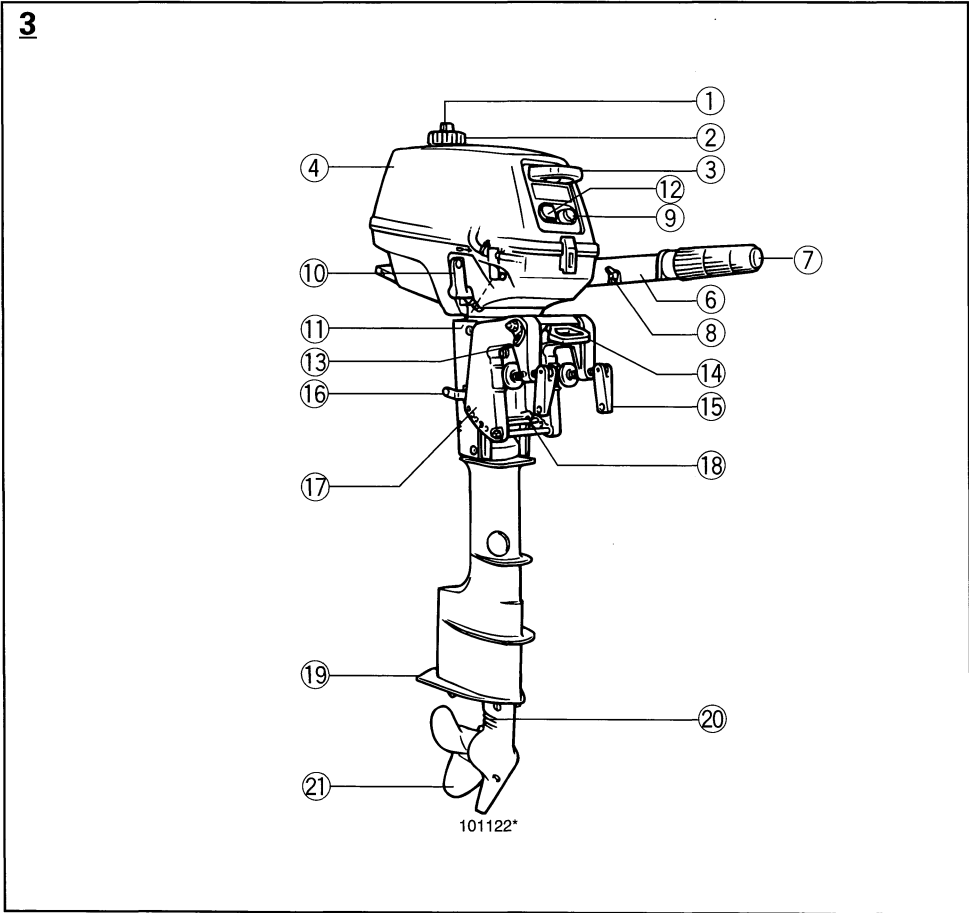


- | | |
|-------------------------|----------------------------|
| ① Air-vent screw | ⑩ Fuel cock |
| ② Fuel tank cap | ⑪ Recoil starter handle |
| ③ Top cowling | ⑫ Engine stop button |
| ④ Anti-cavitation plate | ⑬ Choke knob |
| ⑤ Propeller | ⑭ Trim angle adjusting-rod |
| ⑥ Cooling water inlet | ⑮ Rope attachment |
| ⑦ Clamp bracket | ⑯ Tilt support knob |
| ⑧ Transom clamp handle | ⑰ Throttle control lever |
| ⑨ Tiller handle | |



EMC10010

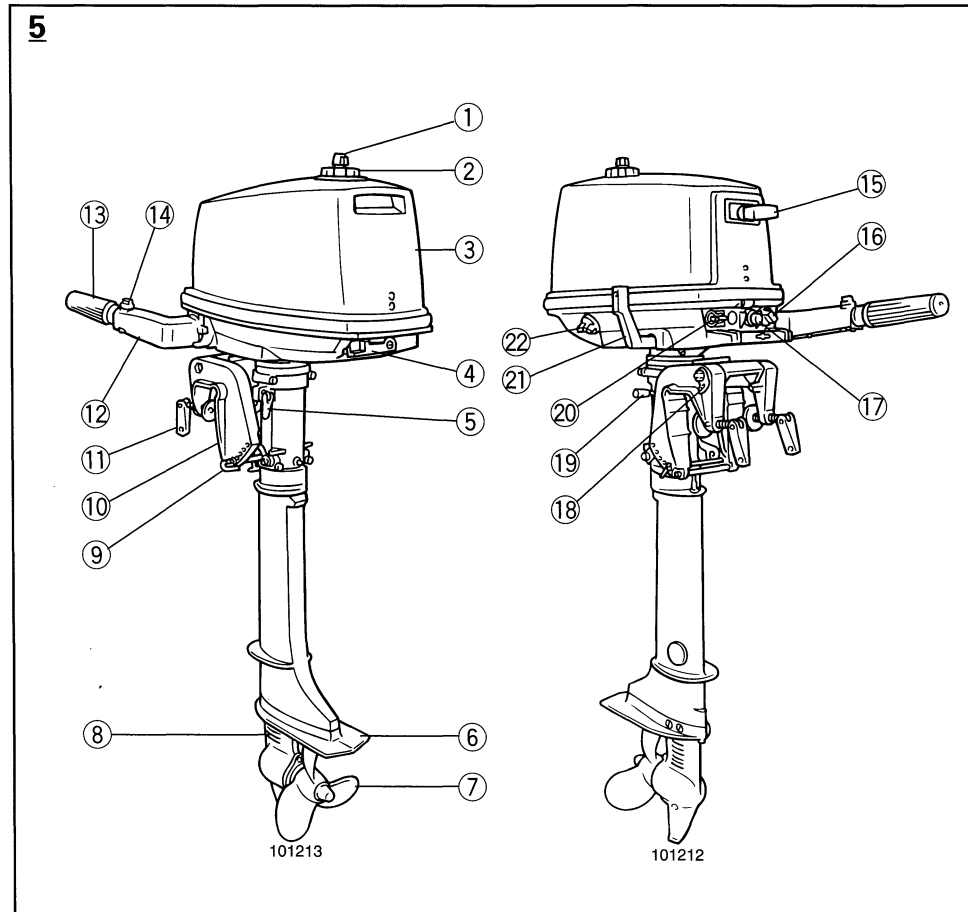
MAIN COMPONENTS



- | | |
|--------------------------|----------------------------|
| ① Air vent screw | ⑫ Choke knob |
| ② Fuel tank cap | ⑬ Rope attachment |
| ③ Recoil starter handle | ⑭ Carrying-handle |
| ④ Top cowling | ⑮ Transom clamp handle |
| ⑤ Cowling lock lever | ⑯ Tilt support bar (lever) |
| ⑥ Tiller handle | ⑰ Clamp bracket |
| ⑦ Throttle control grip | ⑱ Trim angle adjusting-rod |
| ⑧ Throttle friction knob | ⑲ Anti-cavitation plate |
| ⑨ Engine stop button | ⑳ Cooling water inlet |
| ⑩ Gear shift lever | ㉑ Propeller |
| ⑪ Fuel cock | |



EMC10010

MAIN COMPONENTS

- | | |
|-------------------------------------|------------------------------------|
| ① Air vent screw | ⑫ Tiller handle |
| ② Fuel tank cap | ⑬ Throttle control grip |
| ③ Top cowling | ⑭ Throttle friction adjusting knob |
| ④ Cowling lock lever | ⑮ Recoil starter handle |
| ⑤ Steering friction adjusting lever | ⑯ Choke knob |
| ⑥ Anti cavitation plate | ⑰ Engine stop button |
| ⑦ Propeller | ⑱ Rope attachment |
| ⑧ Cooling water inlet | ⑲ Tilt support bar (lever) |
| ⑨ Trim angle adjusting-rod | ⑳ Fuel hose connector |
| ⑩ Clamp bracket | ㉑ Gear shift lever |
| ⑪ Transom clamp handle | ㉒ Fuel cock |



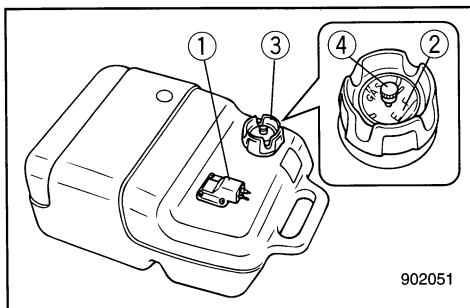
EMC20010

OPERATIONS OF CONTROLS AND OTHER FUNCTIONS

EMC21012

FUEL TANK

If your model was equipped with a portable fuel tank, its function is as follows.



- ① Fuel hose joint
- ② Fuel meter (If equipped)
- ③ Fuel tank cap
- ④ Air vent screw (If equipped)

Fuel hose joint

This connector is provided for connecting or disconnecting fuel hose.

Fuel meter

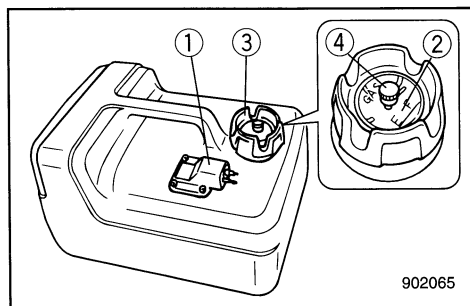
This meter is on the fuel tank cap. It shows current fuel quantity in the fuel tank approximately.

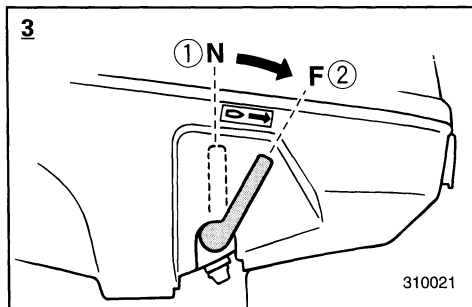
Fuel tank cap

This cap is for filling fuel. To remove it, turn it counterclockwise.

Air Vent screw

This screw is on the fuel tank cap. To loosen it, turn it counterclockwise.





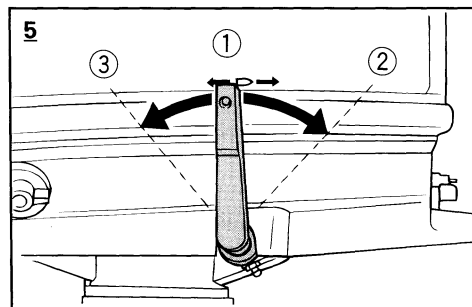
EMC25110

**GEAR SHIFT LEVER
(for Tiller control model)**

3

Turning the gear-shift lever towards you engages the clutch with the forward gear so that the boat moves ahead.

- ① Neutral
- ② Forward



EMC25010

**GEAR SHIFT LEVER
(for Tiller control model)**

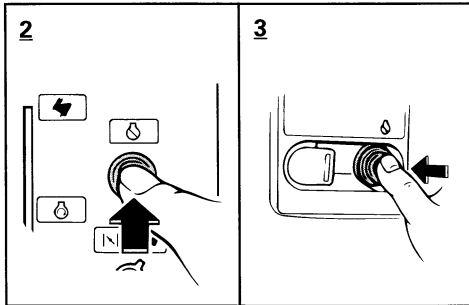
5

Turning the gear-shift lever towards you engages the clutch with the forward gear so that the boat moves ahead. Turning the lever away from you engages the reverse gear so that the boat moves astern.

- ① Neutral
- ② Forward
- ③ Reverse



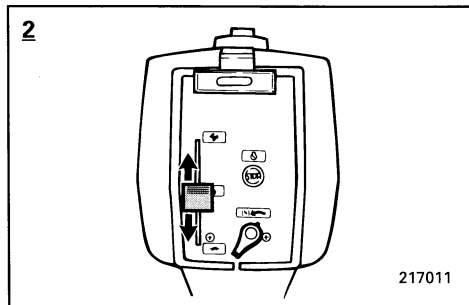
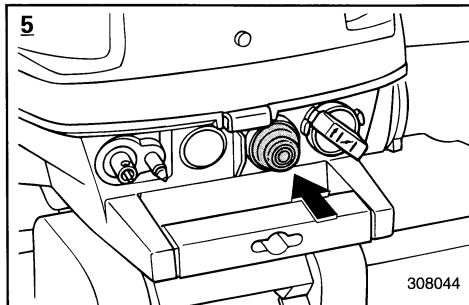
E



EMC27011

ENGINE STOP BUTTON (for Tiller control model)

Pushing this button opens the ignition circuit and stops the engine.



EMC40110

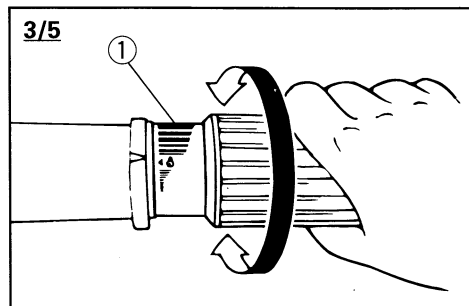
THROTTLE CONTROL (for Tiller control model)

2

Pushing the knob upward increases speed.

3/5

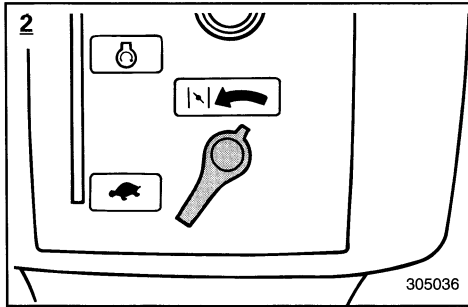
The throttle grip is on the steering handle. Turn the grip counterclockwise to increase speed and clockwise to decrease speed.



Throttle indicator

The fuel consumption curve on the throttle indicator shows the relative amount of fuel consumed for each throttle position. Choose the setting that offers the best performance and fuel economy for the desired operation.

① Throttle indicator

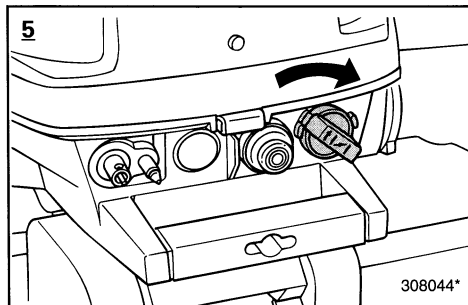


EMC42110

CHOKE KNOB

2/5

Turning this knob to right (setting it to ON) supplies a rich mixture required to start the engine.

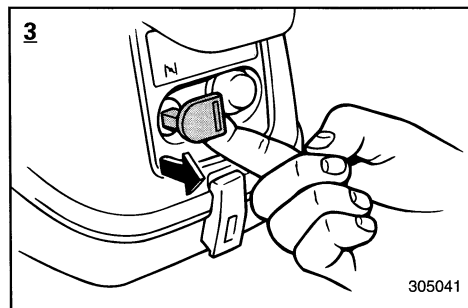


EMC42210

CHOKE KNOB

3

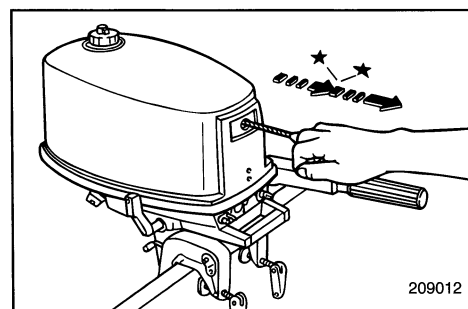
Pulling out this knob (setting it to ON) supplies a rich mixture required to start the engine.

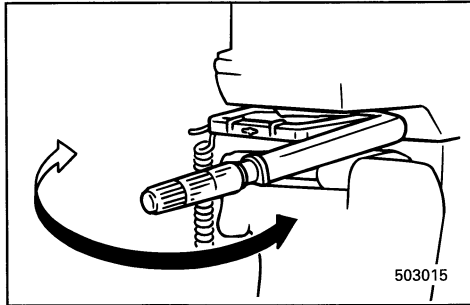


EMC44010

RECOIL STARTER HANDLE

Pull the handle gently until resistance is felt. Then vigorously pull the handle straight out to crank the engine to start it.

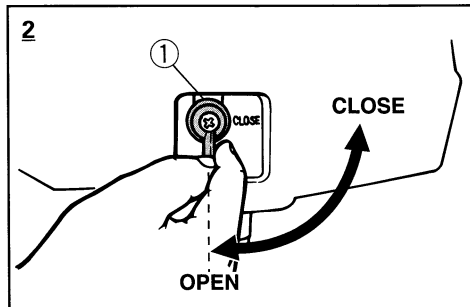




EMC60010

TILLER HANDLE

Moving the tiller handle sideways to adjust the steering direction.

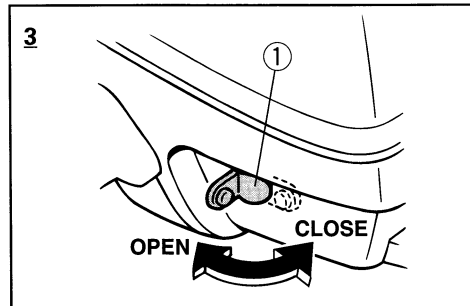


EMC22110

FUEL COCK

A fuel cock is provided on top / bottom cowling to open or close the fuel flow from the fuel tank. There are two positions (2-hp/3-hp) or three positions (4-hp/5-hp) on this fuel cock.

① Fuel cock



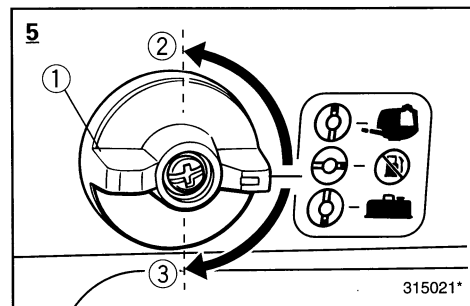
CLOSE

With the lever / knob in this position, fuel does not flow. Always turn the knob to this position when the engine is not running.

OPEN

2/3

With the lever / knob in this position, fuel flows to the carburetor. Normal running is done with the lever / knob in this position.

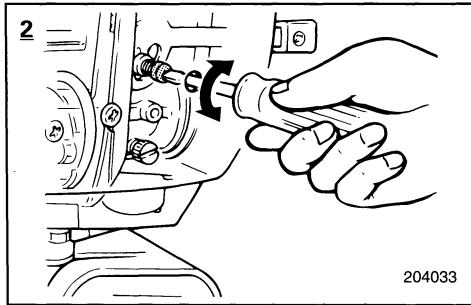


5

There are two "OPEN" positions on the fuel cock for selecting the fuel flow from the built-in tank or the separate tank.

- ② "OPEN" position for the built-in tank
- ③ "OPEN" position for the separate tank

With the knob in both positions, fuel flows to the carburetor. Normal running is done with the knob in these positions.

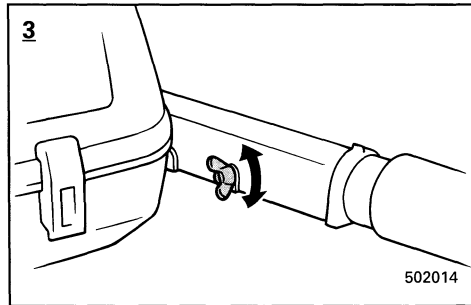


EMC64110

THROTTLE FRICTION ADJUSTMENT (for Tiller control model)

2

A friction device provides resistance to movement of the throttle lever. This is adjustable for operator preference. An adjusting screw is located within the aprons.

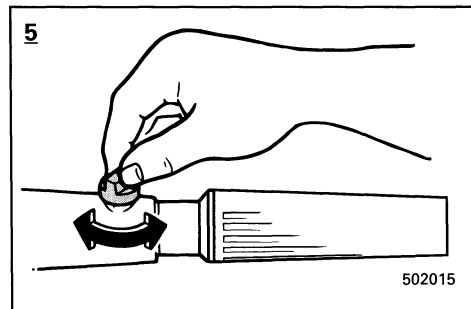


3/5

A friction device in the tiller handle provides resistance to movement of the throttle grip. This is adjustable for operator preference. An adjusting screw/knob is located within the steering handle.

To increase the resistance:

Turn the adjusting screw/knob clockwise.



To decrease the resistance:

Turn the adjusting screw/knob counter-clockwise.

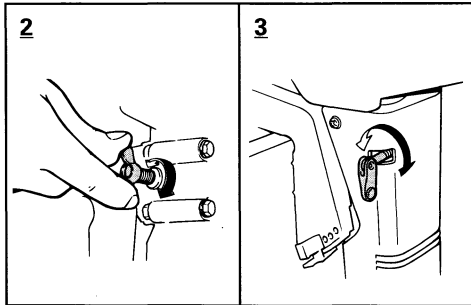
When constant speed is desired, tighten the adjusting screw/knob to maintain the desired throttle setting.

⚠ WARNING

Do not overtighten the friction adjusting screw/knob. If there is too much resistance, it may be difficult to move throttle lever/grip, which could result in an accident.



E



EMD00010

STEERING FRICTION ADJUSTMENT (for Tiller control model)

A friction device provides resistance to steering movement. This is adjustable for operator preference.

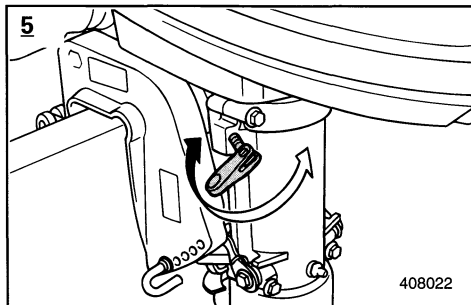
An adjusting screw/bolt is located on the swivel bracket.

To increase the resistance:

Turn the adjusting screw/bolt clockwise.

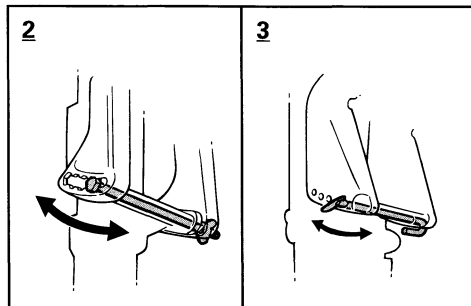
To decrease the resistance:

Turn the adjusting screw/bolt counter-clockwise.



⚠WARNING

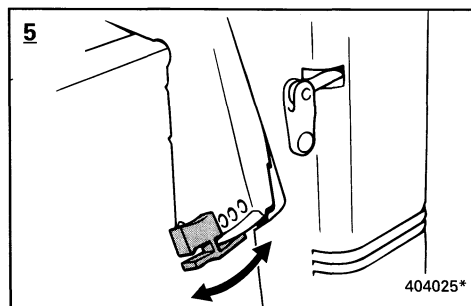
Do not overtighten the friction screw/bolt. If there is too much resistance, it may be difficult to steer, which could result in an accident.

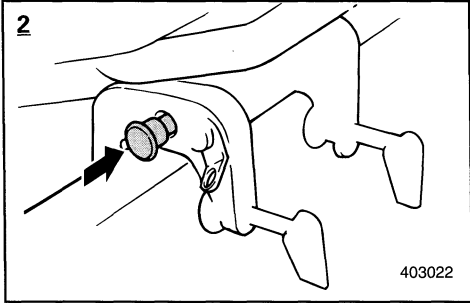


EMD06011

TRIM ANGLE ADJUSTING ROD

The outboard motor fully trim-in angle setting in relation to the transom can be adjusted by changing the position of the trim angle adjusting-rod.



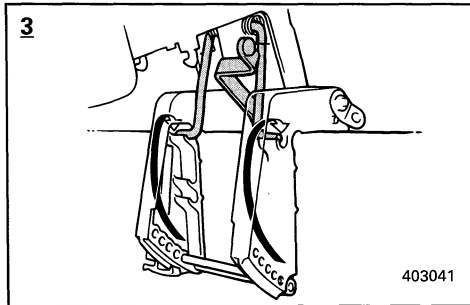


EMD47010

TILT SUPPORT KNOB

2

To keep the outboard motor in the tilted-up position, push the tilt support knob under the swivel bracket.

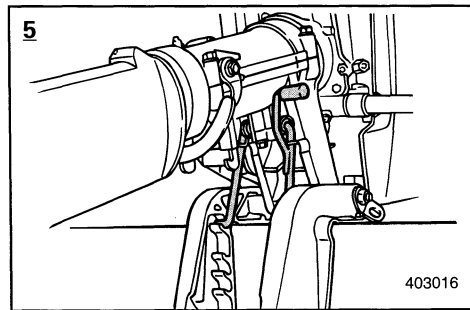


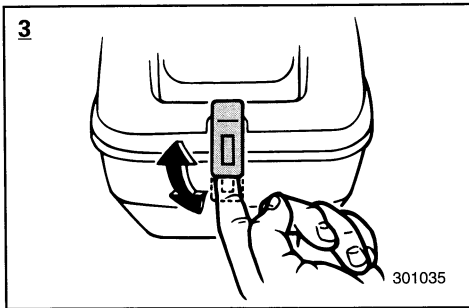
EMD48010

TILT SUPPORT BAR

3/5

The tilt support bar keeps the outboard motor in the tilted up position.



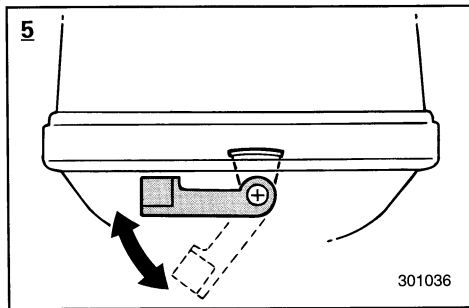


EMD63010

TOP COWLING LOCK LEVER

3

To remove the engine top cowling, pull up the front and rear lock levers. Then lift off the cowling. When replacing the cowling, check to be sure it fits properly in the rubber seal. Then lock the cowling again by moving the levers downward.



5

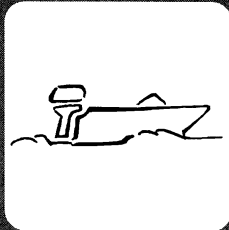
To remove the engine top cowling, push the lock lever downward. Then lift off the cowling. When replacing the cowling, check to be sure it fits properly in the rubber seal. Then lock the cowling again by moving the lever upward.



E

—MEMO—

EMF00010



Chapter 3 OPERATION

INSTALLATION	3-1
Mounting the outboard motor	3-2
Clamping the outboard motor	3-4
FILLING FUEL AND ENGINE OIL	3-5
Filling fuel	3-5
Gasoline and oil mixing	3-6
PRE-OPERATION CHECK	3-8
BREAKING IN (RUNNING IN) ENGINE	3-9
STARTING ENGINE	3-11
WARMING UP ENGINE	3-15
SHIFTING	3-16
Forward	3-16
Reverse	3-17
STOPPING ENGINE	3-18
TRIMMING OUTBOARD MOTOR	3-19
Adjusting trim angle	3-20
CRUISING IN SHALLOW WATER	3-22
TILTING UP/DOWN	3-24
CRUISING IN OTHER CONDITIONS ...	3-27
Cruising in salt water	3-27
Cruising in turbid water	3-27



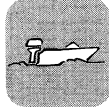
INSTALLATION

CAUTION: _____

Incorrect engine height or obstructions to smooth water flow (such as the design or condition of the boat or accessories such as transom ladders/depth finder transducers) can create airborne water spray while the boat is cruising. Severe engine damage may result if the motor is operated continuously in the presence of airborne water spray.

NOTE: _____

During water testing check the buoyancy of the boat, at rest, with its maximum load. Check that the static water level on the exhaust housing is low enough to prevent water entry into the powerhead, when water rises due to waves when the outboard is not running.



EMF12010

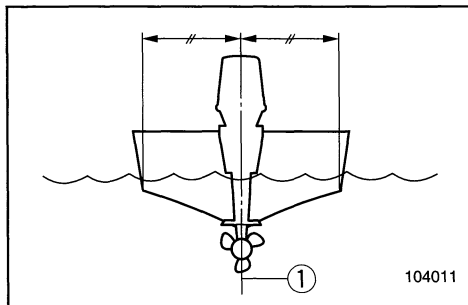
MOUNTING THE OUTBOARD MOTOR

⚠ WARNING

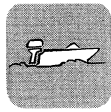
Improper mounting of the outboard motor could result in hazardous conditions such as poor handling, loss of control, or fire hazards. Observe the following:

- The information presented in this section is intended as reference only. It is not possible to provide complete instructions for every possible boat/motor combination. Proper mounting depends in part on experience and the specific boat/motor combination.
- Your dealer or other person experienced in proper rigging should mount the motor. If you are mounting the motor yourself, you should be trained by an experienced person. [permanent mounted type]
- Your dealer or other person experienced in proper outboard motor mounting should show you how to mount your motor. [portable type]

Mount the outboard motor on the center line (keel line) of the boat, and ensure that the boat itself is well balanced. Otherwise, the boat will be hard to steer. For boats without a keel or which are asymmetrical, consult your dealer.

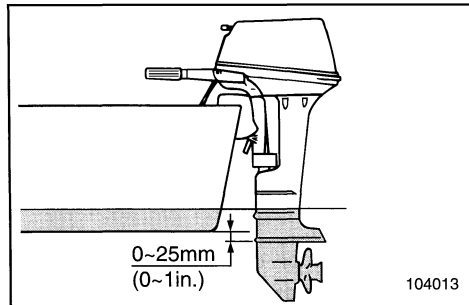


- ① Center line (Keel line)



⚠ WARNING

Overpowering a boat may cause severe instability. Do not install an outboard motor with more horsepower than the maximum rating on the capacity plate of the boat. If the boat does not have a capacity plate, consult the boat manufacturer.

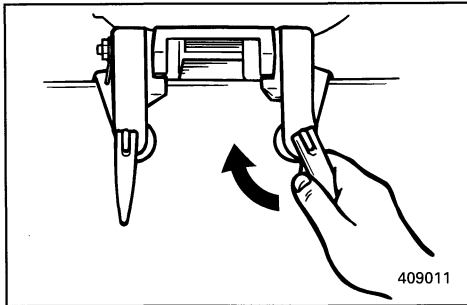
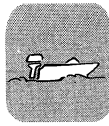


Mounting Height

To run your boat at optimum efficiency, the water-resistance (drag) of the boat and outboard motor must be made as little as possible. The mounting-height of the outboard motor greatly affects the water-resistance. If the mounting-height is too high, cavitation tends to occur, thus reducing the propulsion; and if the propeller tips cut the air, the engine speed will rise abnormally and cause the engine to overheat. If the mounting-height is too low, the water-resistance will increase and thereby reduce engine efficiency. Mount the engine so that the anticavitation plate is between the bottom of the boat and a level 25 mm (1") below it.

NOTE:

The optimum mounting height of the outboard motor is affected by the boat/motor combination and the desired use. Test runs at different heights can help determine the optimum mounting height.



EMF14010

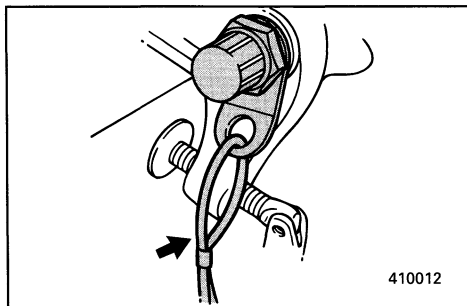
CLAMPING THE OUTBOARD MOTOR

- 1) Place the outboard on the transom so that it is positioned as close to the center as possible. Tighten the transom clamp screws evenly and securely. Check the clamp-screws for tightness occasionally during operation of the motor as they can work loose due to engine vibration.

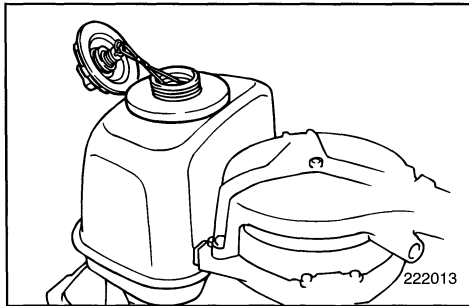
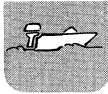
⚠ WARNING

Loose clamp screws could allow the motor to move on the transom or fall off the transom. This could cause loss of control and serious injury. Make sure the transom screws are tightened securely.

Occasionally check the screws for tightness during operation.



- 2) An engine restraint cable or chain should be used. Attach one end to the engine restraint cable attachment point and the other to a secure mounting point on the boat. Otherwise, the engine could be completely lost if it accidentally falls off the transom.



FILLING FUEL AND ENGINE OIL

EMF30110

FILLING FUEL

- 1) Put the outboard in the tilt-down position. Remove the fuel tank cap.
- 2) Use a funnel if the nozzle on the fuel can or pump is not small enough or long enough to fit into the mouth of the fuel tank.
- 3) Fill the fuel tank carefully.
- 4) Close the cap securely after refueling. Wipe up any spilled fuel.

Fuel tank capacity:

Refer to SPECIFICATIONS, Page 4-1.

Ring Free Fuel Additive

Gasoline is a precise blend of many different substances, each chosen to give certain characteristics. Gasoline blends have been changing in recent years in response to concerns about pollution and resulting emissions regulations. One of the most obvious changes has been the elimination of lead from most fuels.

As gasoline has changed, the amount of additives such as aromatics and oxygenates has increased. These additives are important for the engines in passenger cars, but they can have detrimental effects in marine engines, particularly 2-cycle outboards because of increased deposits in the combustion chamber. When enough deposits collect, piston rings begin sticking. Performance drops and engine wear increases dramatically.



While many additives available may reduce deposits, Yamaha recommends the use of **Ring Free Fuel Additive**, available from your Yamaha dealer. Ring Free has repeatedly proven its ability to clean combustion deposits from inside the engine, notably the critical piston-ring-land area, and fuel system components. Follow product labeling for use

EMF35010

GASOLINE (PETROL) AND OIL MIXING

Pre-mix model

	Oil : Gasoline (Petrol)
Break-in period	1 : 25
After break-in	1 : 100

1) Pour oil and gasoline into the fuel tank, in that order.

① Oil

② Gasoline (Petrol)

2) Then mix the fuel thoroughly by shaking.
3) Make sure the oil is mixed with gasoline.

CAUTION:

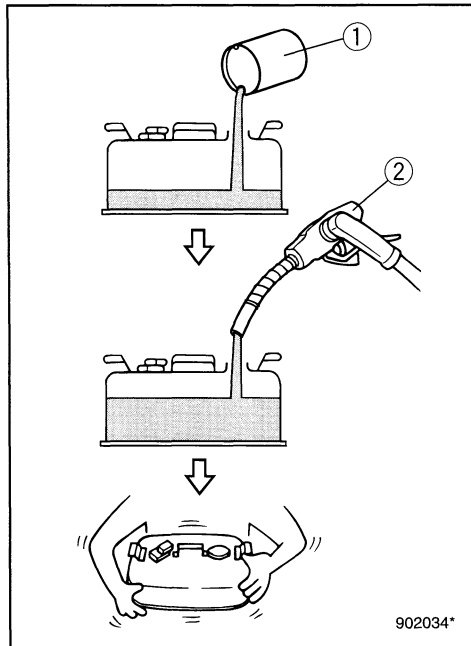
- Avoid using any oil other than the designated type.
- Use a thoroughly blended fuel-oil mixture.
- If the mixture is not thoroughly blended, or if the mixing ratio is incorrect, the following problems could occur:

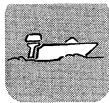
Low oil ratio:

Lack of oil could cause major engine trouble, such as piston seizure.

High oil ratio:

Too much oil could cause fouled spark plugs, smoky exhaust, and heavy carbon deposits.



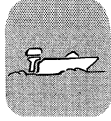


Mixing ratio	25 : 1			
Gasoline (Petrol)	1 L (0.26 US gal, 0.22 Imp gal)	12 L (3.2 US gal, 2.6 Imp gal)	14 L (3.7 US gal, 3.1 Imp gal)	24 L (6.3 US gal, 5.3 Imp gal)
Engine oil	0.04 L (0.04 US qt, 0.04 Imp qt)	0.48 L (0.51 US qt, 0.42 Imp qt)	0.56 L (0.59 US qt, 0.49 Imp qt)	0.96 L (1.01 US qt, 0.84 Imp qt)

Mixing ratio	100 : 1			
Gasoline (Petrol)	1 L (0.26 US gal, 0.22 Imp gal)	12 L (3.2 US gal, 2.6 Imp gal)	14 L (3.7 US gal, 3.1 Imp gal)	24 L (6.3 US gal, 5.3 Imp gal)
Engine oil	0.01 L (0.01 US qt, 0.01 Imp qt)	0.12 L (0.13 US qt, 0.11 Imp qt)	0.14 L (0.15 US qt, 0.12 Imp qt)	0.24 L (0.25 US qt, 0.21 Imp qt)

NOTE:

If using a permanently installed tank, pour the oil gradually as the fuel is being added to the tank.



EMF40012

PRE-OPERATION CHECKS

⚠ WARNING

If any item in the pre-operation check is not working properly, have it inspected and repaired before operating the outboard motor. Otherwise, an accident could occur.

EMF41110

Fuel

- Check to be sure you have plenty of fuel for your trip.
- Make sure there are no fuel leaks or gasoline fumes.
- Check fuel line connections to be sure they are tight.
- Be sure the fuel tank is positioned on a secure, flat surface, and that the fuel hose is not twisted or flattened, or likely to contact sharp objects.

EMF42110

Oil

- Check to be sure you have plenty of oil for your trip.

EMF43010

Controls

- Check throttle, shift, and steering for proper operation before starting the engine.
- The controls should work smoothly, without binding or unusual free play.
- Look for loose or damaged connections.
- Check operation of the starter and stop switches when the outboard motor is in the water.



EMF43510

Engine

- Check the engine and engine mounting.
- Look for loose or damaged fasteners.
- Check the propeller for damage.

CAUTION:

Do not start the engine out of water. Overheating and serious engine damage can occur.

EMF50012

**BREAKING IN (RUNNING IN)
ENGINE**

Your new engine requires a period of break-in (running-in) to allow mating surfaces of moving parts to wear-in evenly. Correct break-in (running-in) will help ensure proper performance and longer engine life.

CAUTION:

Failure to follow the break-in (running-in) procedure may result in reduced engine life or even severe engine damage.

Break-in (running-in) time: 10 hours

Break-in (running-in) premix ratio:
Refer to "Gasoline/Petrol and Oil
Mixing".



EMU00226

Run the engine under load (in gear with a propeller installed) as follows.

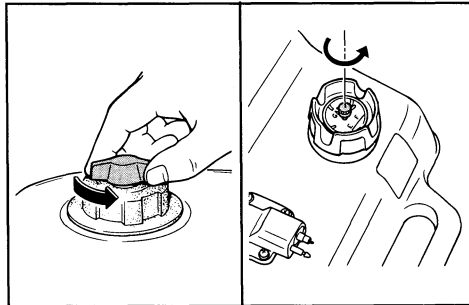
- 1) First 10 minutes:
Run the engine at the lowest possible-speed. A fast idle in neutral is best.
- 2) Next 50 minutes:
Do not exceed half throttle (approximately 3,000 r/min). Vary engine speed occasionally. If you have an easy-planing boat, accelerate at full throttle onto plane, then immediately reduce the throttle to 3,000 r/min or less.
- 3) Second hour:
Accelerate at full throttle onto plane, then reduce engine speed to three-quarter throttle (approximately 4,000 r/min). Vary engine speed occasionally. Run at full throttle for one minute, then allow about 10 minutes of operation at three-quarter throttle or less to let the engine cool.
- 4) Third through tenth hours:
Avoid operating at full throttle for more than 5 minutes at a time. Let the engine cool between full-throttle runs. Vary engine speed occasionally.
- 5) After the first 10 hours:
Operate the engine normally. Use the standard premix ratio of gasoline : Oil. (Refer to "Gasoline/Petrol and Oil Mixing".)



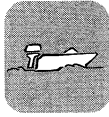
STARTING ENGINE

▲WARNING

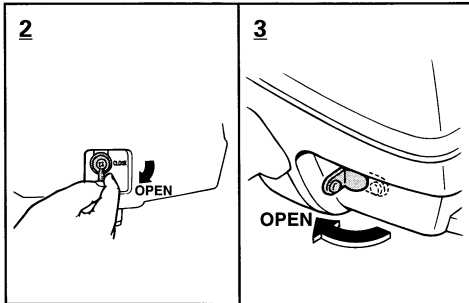
- Before starting the engine, make sure that the boat is tightly moored and that you can steer clear of any obstructions. Be sure there are no swimmers in the water near you.
- When the air-vent screw is loosened, gasoline(petrol) vapor will be released. Gasoline(petrol) is highly flammable, and its vapors are flammable and explosive. Refrain from smoking, and keep away from open flames and sparks while loosening the air-vent screw.
- This product emits exhaust gases which contain carbon monoxide, a colorless, odorless gas which may cause brain damage or death when inhaled. Symptoms include nausea, dizziness, and drowsiness. Keep cockpit and cabin areas well ventilated. Avoid blocking exhaust outlets.



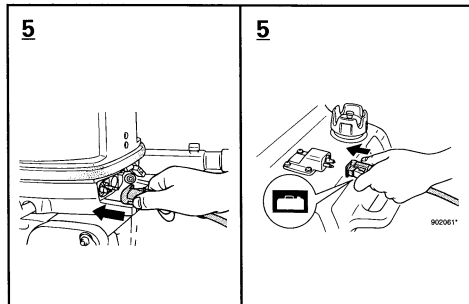
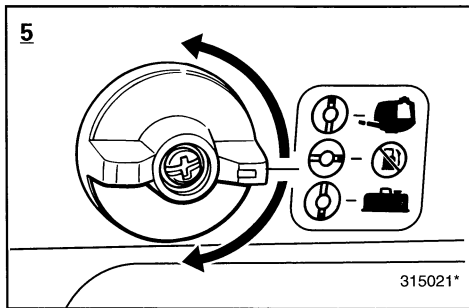
- 1) Loosen the air vent screw attached to the fuel tank cap by 2 or 3 turns.



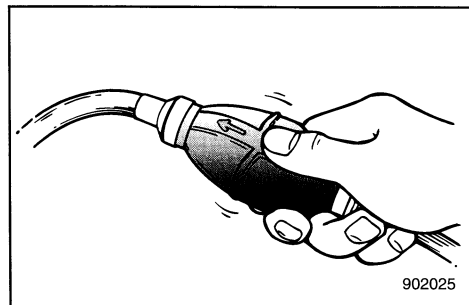
E

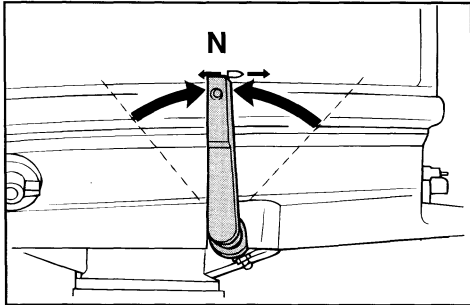


2) Set the fuel cock in the "OPEN" position.



5
3) If you select the separate fuel tank, connect the fuel joints securely and squeeze the primer bulb with the outlet end up until you feel it become firm.





EMU00987

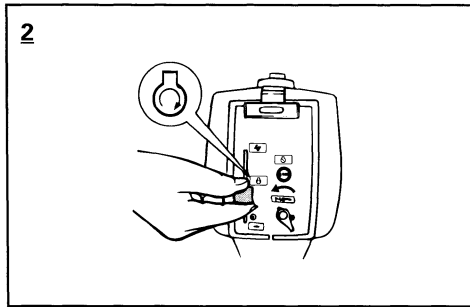
PROCEDURE FOR TILLER CONTROL MODEL

- 4) Place the gear shift lever in Neutral position (except for 2-hp).

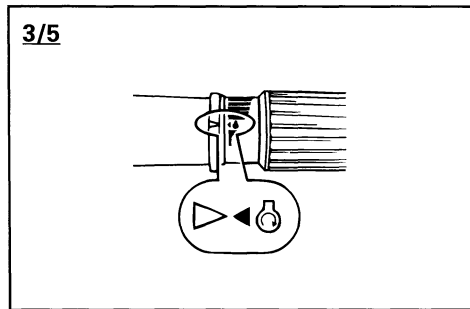
NOTE: _____

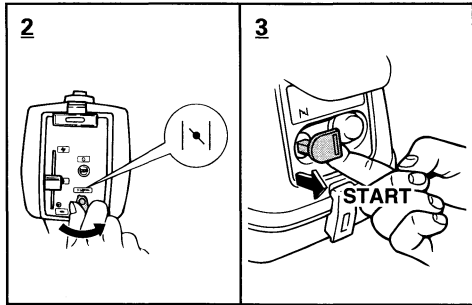
5

The start-in-gear protection device permits the engine to be started only when it is in Neutral.



- 5) Place the throttle control lever/grip in the "START" position. After the engine starts, return the throttle to the fully closed position.



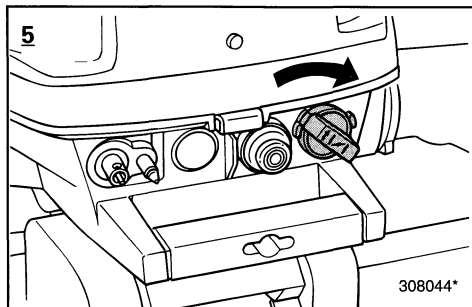


EMU00988

Manual Start Model

⚠WARNING

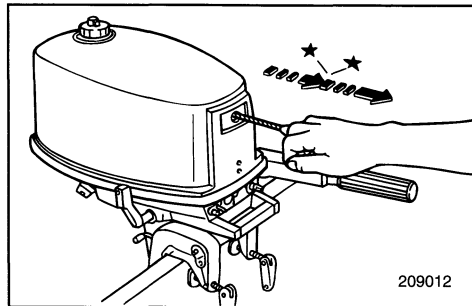
2-hp model: The propeller rotates whenever the engine is running. Do not move the throttle control lever from the start position during warm-up. The boat could unexpectedly start to move, which could result in an accident.



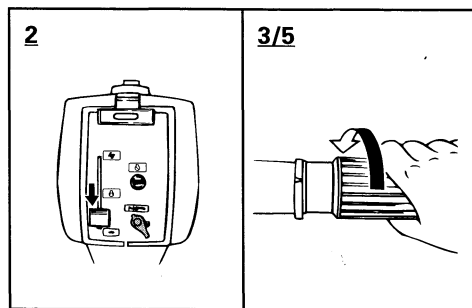
- 6) Place the choke knob in the "START" position.
After the engine starts, return the knob to the "RUN" position.

NOTE:

- If the engine is warm, place the choke knob in the "RUN" position.
- If the choke knob is left in the "START" position during running, the engine will run poorly or stall.



- 7) Pull the starter handle slowly until you feel resistance. Then, give a strong pull straight out to start the engine. Repeat it, if necessary.



- 8) After the engine starts, return the starter handle slowly to the original position before releasing it.

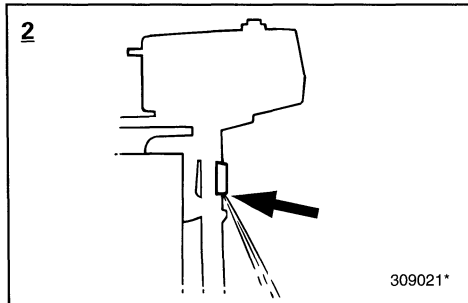


EMG00110

WARMING UP ENGINE

WARNING

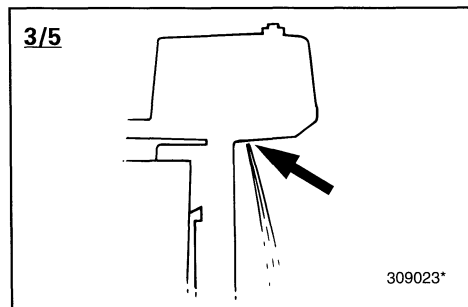
2-hp model: The propeller rotates whenever the engine is running. Do not move the throttle control lever from the start position during warm-up. The boat could unexpectedly start to move, which could result in an accident.



- 1) Before beginning operation, allow the engine to warm up at idling speed for 3 minutes. (Failure to do this will shorten engine life.)

2

- 2) Check a flow of water with exhaust gas from the hole on exhaust cover.

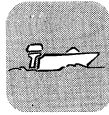


3/5

- 2) Check for a steady flow of water from the cooling-water pilot hole.

CAUTION:

A continuous flow of water from the pilot hole shows that the water pump is pumping water through the cooling passages. If water is not flowing out of the pilot hole at all times while the engine is running, do not continue to run the engine. Overheating and serious damage could occur. Stop the engine and check to see if the water inlet on the lower casing is blocked. If the problem cannot be found and corrected, consult your Yamaha dealer.



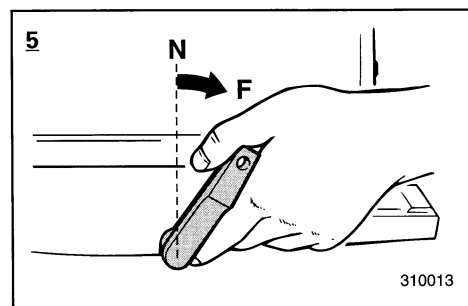
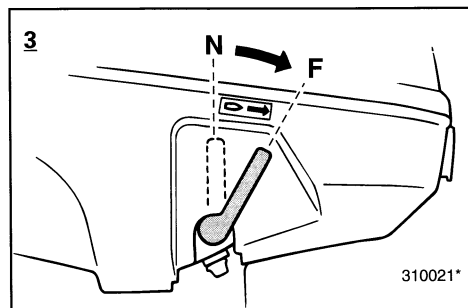
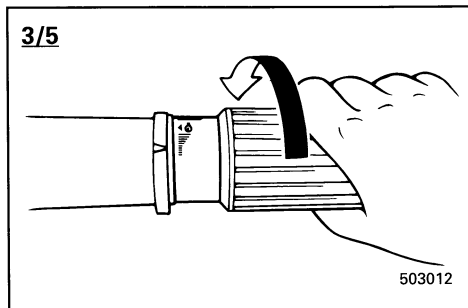
SHIFTING

⚠ WARNING

Before shifting, make sure there are no swimmers or obstacles in the water near you.

CAUTION:

To change the boat direction or shifting position from forward to reverse or vice-versa, close the throttle first so that the engine idles (or runs at low speeds).



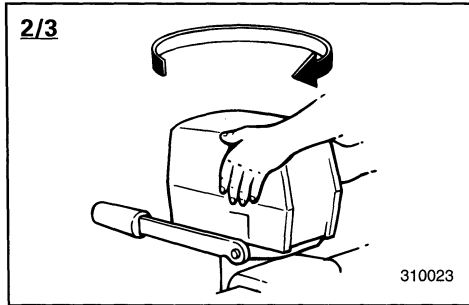
FORWARD

2

When the engine is started, the propeller turns and the boat begins to move forward.

3/5

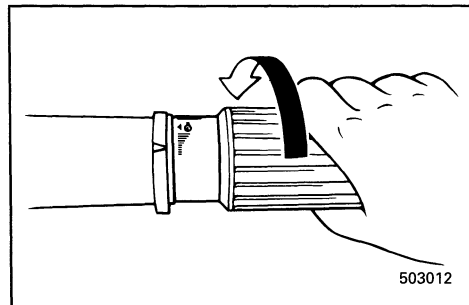
- 1) Place the throttle control grip in the fully closed position.
- 2) Turn the gear shift lever quickly and firmly from Neutral to Forward.



REVERSE

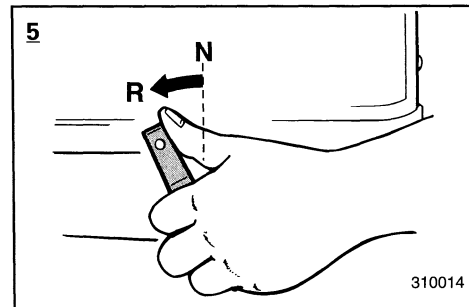
2/3

The outboard motor will make a full 360° turn in its bracket (full-pivot system). Simply turn the engine around 180° turn with the steering handle facing to the rear to back up the boat.



5

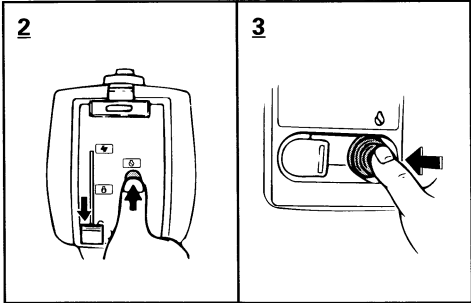
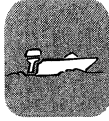
1) Place the throttle control grip in the fully closed position.



2) Turn the gear shift lever quickly and firmly from Neutral to Reverse.

⚠ WARNING

When operating in Reverse, go slowly. Do not open the throttle more than half. Otherwise, the boat may become unstable, which could result in loss of control and an accident.



EMG38010

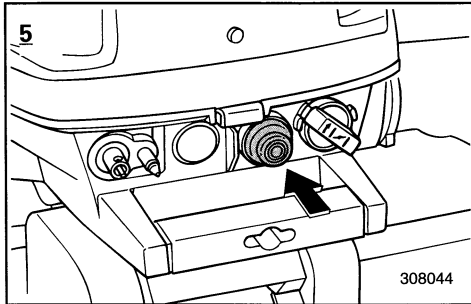
STOPPING ENGINE

Let it cool off for a few minutes at idle or low speed first. Stopping the engine immediately after operating at high speed is not recommended.

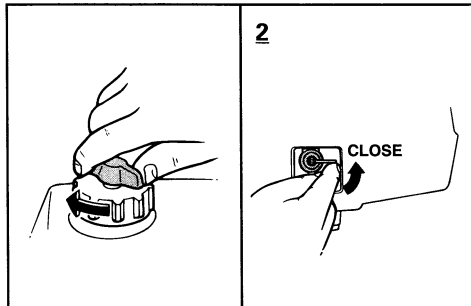
EMG40711

PROCEDURE

- 1) Push and hold the engine stop switch until the engine comes to a complete stop.

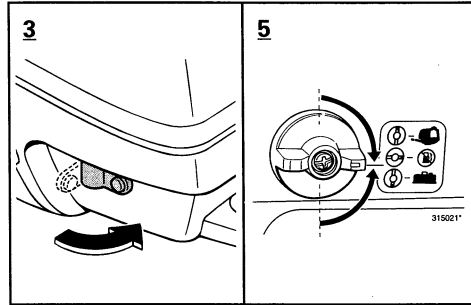


308044



- 2) After stopping the engine, tighten the air vent screw and set the fuel cock lever / knob to the closed position.

- 5
- 3) Disconnect the fuel joints after using the separate fuel tank.

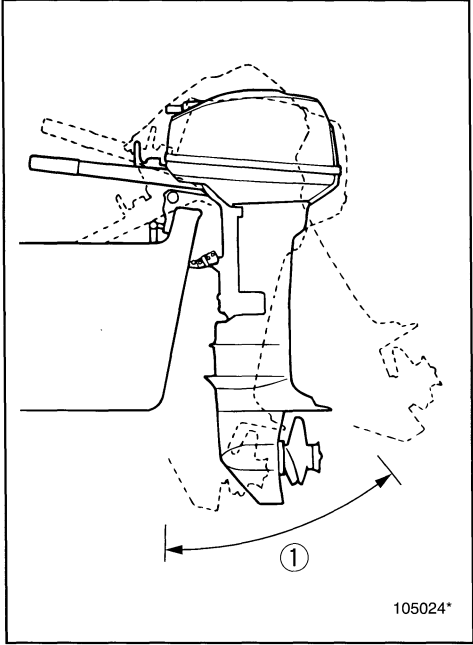


315021*



EMG60210-*

TRIMMING OUTBOARD MOTOR

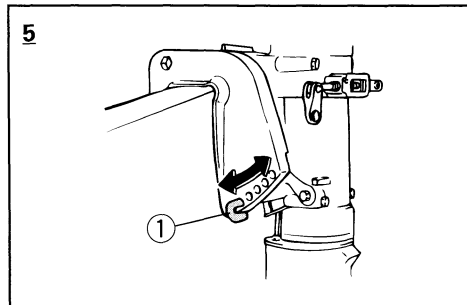
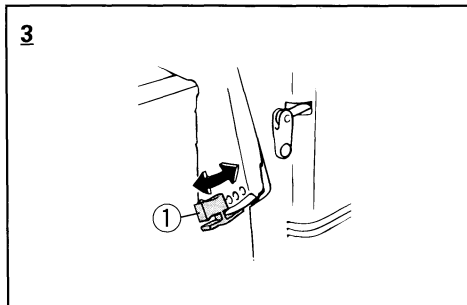
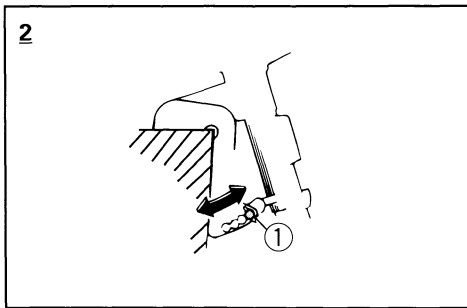


The trim angle of the outboard motor helps determine the position of the bow of the boat in the water. The correct trim angle will help improve performance and fuel economy while reducing strain on the engine. The correct trim angle depends upon the combination of boat, engine, and propeller. Correct trim is also affected by variables such as the load in the boat, sea conditions, and running speed.

⚠WARNING

Excessive trim for the operating conditions (either trim up or trim down) can cause boat instability and can make steering the boat more difficult. This increases the possibility of an accident. If the boat begins to feel unstable or is hard to steer, readjust the trim angle.

① Trim range



ADJUSTING TRIM ANGLE

There are 5 holes (2/9.9/15-hp model: 4 holes) provided in the engine bracket to adjust the outboard motor trim angle.

To adjust the trim angle, first stop the engine. Then, remove the adjusting rod from the engine bracket assembly and — while tilting the motor — reposition the rod in the desired hole.

To raise the bow (“trim-out”), move the rod away from the transom. To lower the bow (“trim-in”), move the rod toward the transom. Make test runs with the trim set to different angles to find the position that works best for your boat and operating conditions.

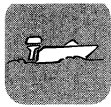
① Trim angle adjusting rod

⚠ WARNING

- Stop the engine before adjusting the trim angle.
- Use care to avoid being pinched when removing or installing the rod.
- Use caution when trying a trim position for the first time. Increase speed gradually and watch for any signs of instability or control problems. Improper trim angle can cause loss of control.

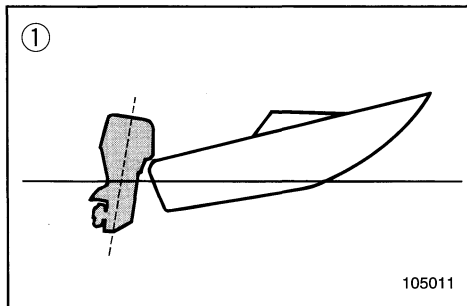
NOTE:

The outboard motor trim angle can be changed approximately 4 degrees by shifting the trim adjusting-rod one hole.



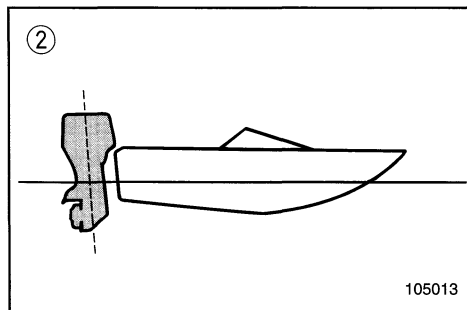
Bow up

When the boat is on plane, a bow-up attitude result in less drag, greater stability and efficiency. This is generally when the keel line of the boat is up about 3 to 5 degrees. When trimmed out, the boat may have more tendency to steer to one side or the other. Compensate for this as you steer. The trim tab can also be adjusted to help offset this effect.



Too much trim-out puts the bow of the boat too high in the water. Performance and economy are decreased because the hull of the boat is pushing the water and there is more air drag.

Excessive trim-up can cause the propeller to ventilate, which reduces performance further. When trimmed-out too much, a boat may "porpoise" (hop in the water), which could throw the operator and passengers overboard.

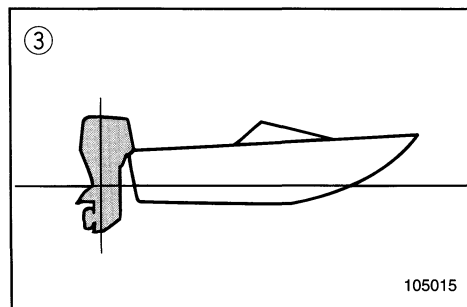


Bow down

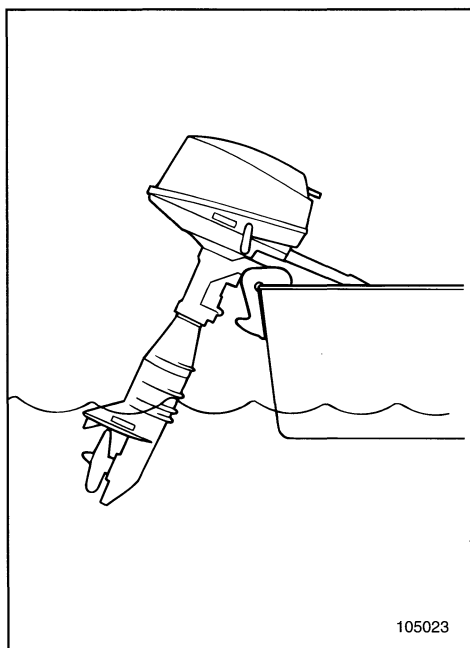
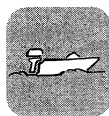
When the bow of the boat is down, it is easier to accelerate from a standing start onto plane.

Too much trim-in causes the boat to "plow" through the water, decreasing fuel economy and making in hard to increase speed.

Operating with excessive trim-in at higher speeds also makes the boat unstable. Resistance at the bow is greatly increased, heightening the danger of "bow steering" and making operation difficult and dangerous.



- ① Bow up
- ② Bow down
- ③ Optimum angle



EMG70011

CRUISING IN SHALLOW WATER

3/5

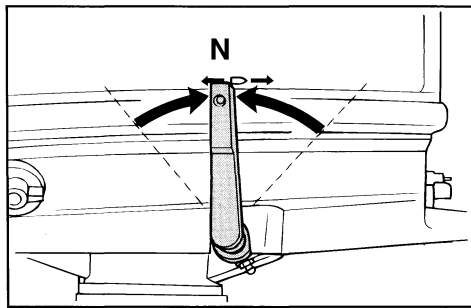
The outboard motor can be tilted up partially to allow operation in shallow water.

WARNING

- Place the gear shift in the Neutral position before using the shallow water cruising system.
- Run the boat at the lowest possible speed when using the shallow water cruising system. The tilt-lock mechanism does not work while the shallow water cruising system is being used. Hitting an underwater obstacle could cause the engine to lift out of the water, resulting in loss of control.
- Use extra care when operating in reverse. Too much reverse thrust can cause the engine to lift out of the water, increasing the chance of accident and personal injury.
- Return the engine to its normal position as soon as the boat is back in deeper water.

CAUTION:

Place the gear-shift in the Neutral position before using the shallow water cruising system.

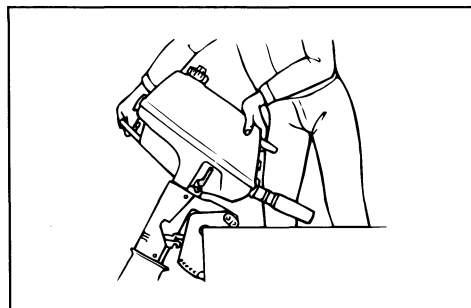


EMU00963

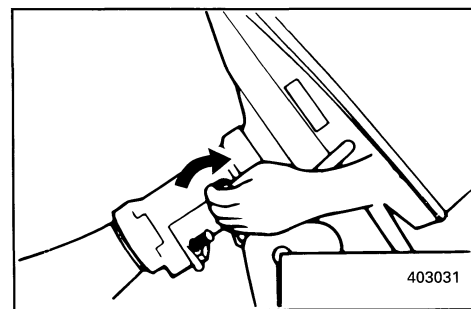
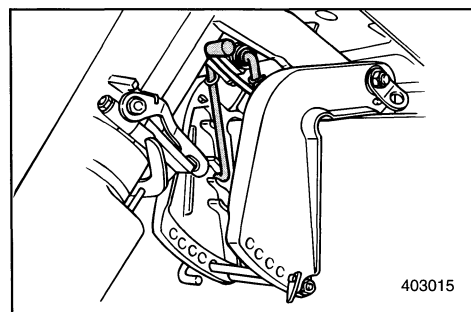
PROCEDURE

3/5

1) Place the gear shift lever in Neutral and face the motor forward.



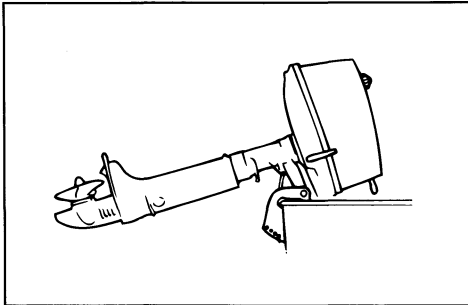
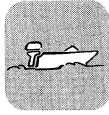
2) Slightly tilt up the engine until the tilt-support bar is turned to the locked position automatically to support the engine.



3) When bringing the engine to the home position, slightly tilt up the engine and slowly tilt the engine down pulling up the lever of the tilt support bar.

NOTE:

The outboard motor is provided 2 or 3 positions for shallow water cruising.



EMU00284

TILTING UP/DOWN

If the engine will be stopped for some time, or if the boat is moored in shallows, the engine should be tilted up to protect the propeller and casing from damage by collision with obstructions, and also to reduce salt corrosion.

CAUTION:

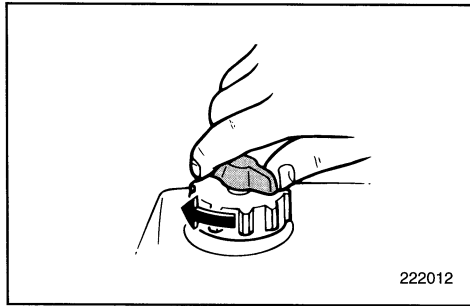
- Before tilting the motor, follow the procedures under "STOPPING ENGINE". Never tilt the motor while the engine is running. Severe damage from overheating can result.
- Do not tilt up the engine by pushing the steering handle as this could break the handle.
- Keep the power unit higher than the propeller at all times. Otherwise, water can run into the cylinder, causing damage.
- The outboard cannot be tilted when in Reverse, or when the outboard is turned 180° (facing to the rear).

WARNING

Be sure all people are clear of the outboard motor when adjusting the tilt angle, also be careful not to pinch any body parts between the drive unit and engine bracket.

WARNING

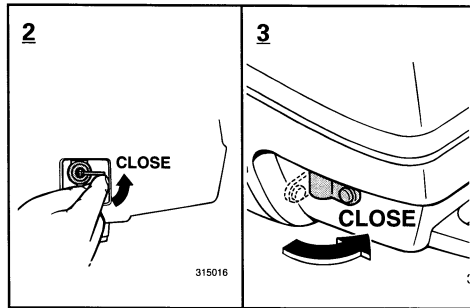
Leaking fuel is a fire hazard. Tighten the air-vent screw and place the fuel cock in the closed position if the engine will be tilted for more than a few minutes. Otherwise, fuel may leak.



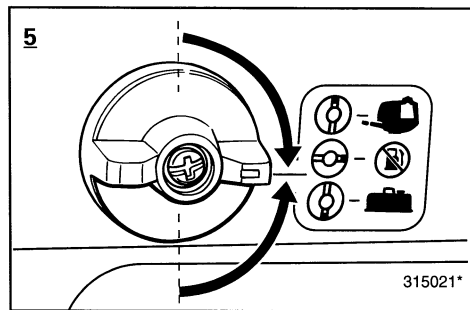
EMU00962

PROCEDURE FOR TILTING UP

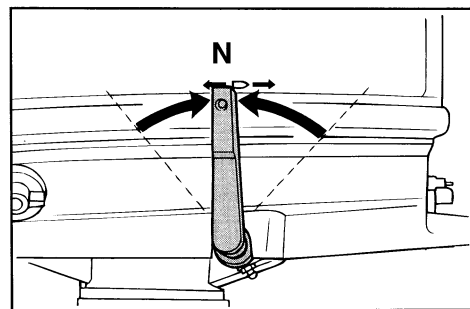
- 1) Tighten the air vent screw.
If the fuel connector is provided on the motor, remove the fuel line connection from the motor.



- 2) Put the fuel cock lever in the closed position.

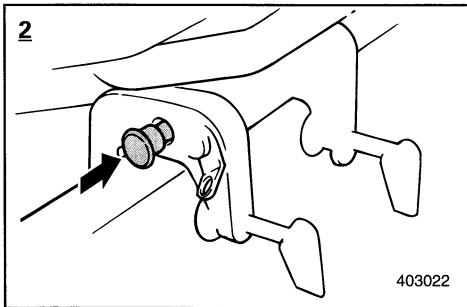


- 3) Place the gear shift lever in Neutral and face the motor forward.





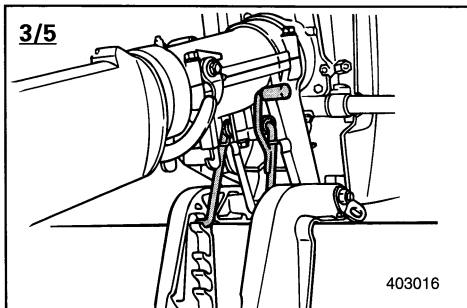
E



4) Hold the rear of the top cowling with one hand and fully tilt the engine up.

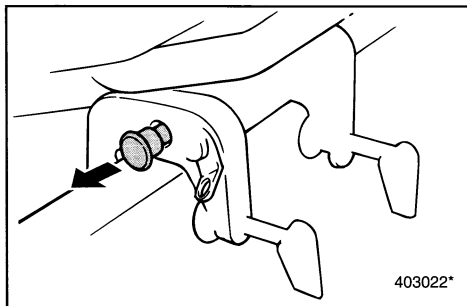
2

5) Push the tilt support knob into the clamp bracket.



3/5

5) The tilt support bar turns to the locked position automatically.



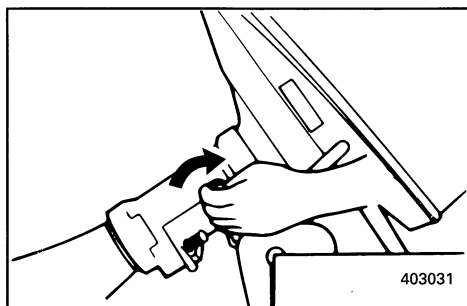
EMU00298

PROCEDURE FOR TILTING DOWN

1) Slightly tilt up the engine.

2

2) Pull out the tilt support knob, then tilt down the engine.



3/5

2) Tilt down the engine pulling up the lever of the tilt support bar.



EMH60010

CRUISING IN OTHER CONDITIONS

CRUISING IN SALT WATER

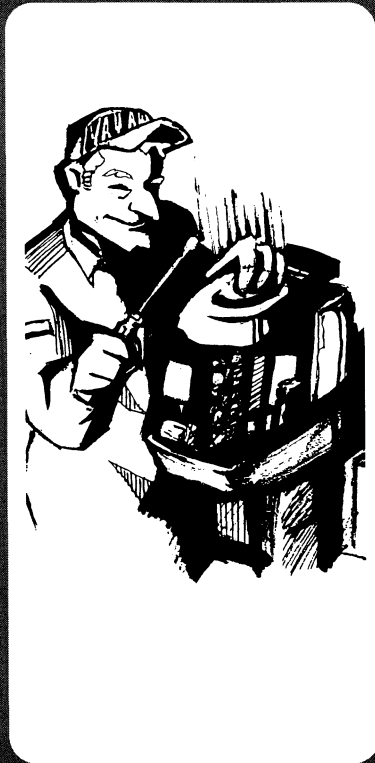
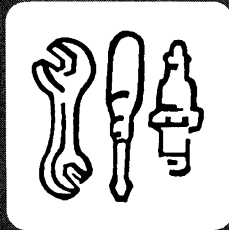
After operating in salt water, wash out the cooling-water passages with fresh water to prevent them from becoming clogged-up with salt deposits.

NOTE: _____

Refer to cooling system flushing instructions in "TRANSPORTING AND STORING OUTBOARD MOTOR".

CRUISING IN TURBID WATER

It is strongly recommended that the optional chromium-plated water-pump kit be installed if the outboard is to be used in turbid (muddy) water conditions.



EMK00010

Chapter 4 MAINTENANCE

SPECIFICATION DATA.....4-1

TRANSPORTING AND STORING

OUTBOARD MOTOR4-3

Trailing outboard motor4-3

Storing outboard motor.....4-4

PERIODIC MAINTENANCE4-7

Replacement parts4-7

Maintenance chart.....4-8

Cleaning and adjusting spark plug ...4-9

Checking fuel system4-11

Inspecting and replacing fuel filter .4-12

Adjusting idling speed4-13

Checking wiring and connectors.....4-14

Exhaust leakage.....4-14

Water leakage4-14

Greasing4-15

Checking propeller; shear pin and
cotter pin4-18

Changing gear oil4-21

Cleaning fuel tank.....4-22

Inspecting and replacing anodes4-23

Checking bolts and nuts4-24

Motor exterior.....4-24

Coating boat bottom4-24

4



EMR50302

SPECIFICATION DATA

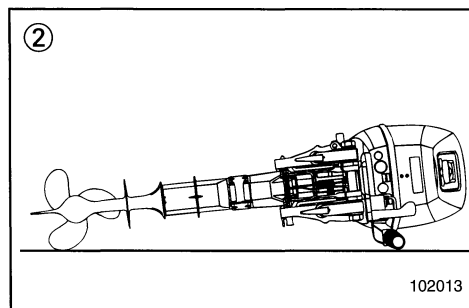
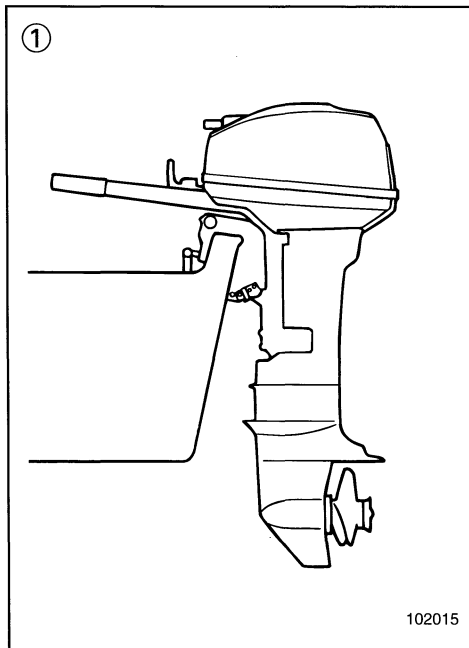
	Model	Unit	2MHY
DIMENSIONS			
• Overall Length		mm (in.)	607 (23.9)
• Overall Height	S/L	mm (in.)	916 (36.1)/—
• Overall Width		mm (in.)	214 (8.4)
• Transom height	S/L	mm (in.)	417 (16.4)/—
• Weight	S/L	kg (lb.)	10 (22.0)/—
PERFORMANCE			
• Full throttle operating range		r/min	4,000 ~ 5,000
• Maximum output		kW (HP)	1.5 (2) at 4,500 r/min.
• Idling speed (in neutral)		r/min	1,100~1,200
ENGINE			
• Engine type			2-stroke, L1
• Displacement		cm ³ (cu.in.)	43 (2.62)
• Bore × stroke		mm (in.)	39 × 36 (1.54 × 1.42)
• Ignition system			C.D.I
• Spark plug		NGK	B5HS
• Spark plug gap		mm (in.)	0.6~0.7 (0.024~0.028)
• Control system			Tiller control
• Starting system			Manual start
• Battery minimum capacity		V-AH (kc)	—
• Alternator output		V-A (W)	—
• Starting carburation system			Choke valve start system
DRIVE UNIT			
• Gear positions			Forward
• Gear ratio			2.08 (27/13)
• Trim/tilt system			Manual
• Propeller mark			A
FUEL AND OIL			
• Fuel			Regular unleaded gasoline (P.O.N.: minimum 86)
• Fuel tank capacity		L (US gal, Imp gal)	1.2 (0.32, 0.26)
• Recommended engine oil			YAMALUBE 2 STOROKE OUTBOARD OIL or an equivalent TC-W3 certified outboard oil
• Fuel/oil ratio			100 : 1
• Recommended gear oil			Hypoid gear oil (SAE90)
• Gear oil quantity		cm ³ (US oz, Imp oz)	45 (1.52, 1.58)
TIGHTNING TORQUE			
• Spark plug		Nm (m•kg, ft•lb)	25 (2.5, 18)
• Propeller nut		Nm (m•kg, ft•lb)	—



E

3MHY	5MHY	—
628 (24.7) 997 (39.3)/1,124 (44.3) 289 (11.4) 441 (17.4)/568 (22.4) 16.5 (36.3)/17.5 (38.5)	677 (26.7) 1,011 (39.8)/1,138 (44.8) 322 (12.7) 444 (17.5)/571 (22.5) 21 (46.2)/21.5 (47.3)	
4,500~5,500 2.2 (3) at 5,000 r/min. 1,150~1,250	4,500~5,500 3.7 (5) at 5,000 r/min. 1,100~1,200	
2-stroke, L1 70 (4.27) 46 × 42 (1.82 × 1.65) C.D.I B6HS-10 0.9~1.0 (0.035~0.039) Tiller control Manual start — — Choke valve start system	2-stroke, L1 103 (6.3) 54 × 45 (2.13 × 1.77) C.D.I B7HS 0.6~0.7 (0.024~0.028) Tiller control Manual start — — Choke valve start system	
Forward-Neutral 2.08 (27/13) Manual BS	Forward-Neutral-Reverse 2.08 (27/13) Manual BA	
Regular unleaded gasoline (P.O.N.: minimum 86) 1.4 (0.37, 0.32) YAMALUBE 2 STROKE OUTBOARD OIL or an equivalent TC-W3 certified outboard oil 100 : 1 Hypoid gear oil (SAE 90) 75 (2.53, 2.64)	Regular unleaded gasoline (P.O.N.: minimum 86) 2.8 (0.74, 0.62)/25 (6.6, 5.5) YAMALUBE 2 STROKE OUTBOARD OIL or an equivalent TC-W3 certified outboard oil 100 : 1 Hypoid gear oil (SAE 90) 100 (3.4, 3.5)	
25 (2.5, 18) 17 (1.7, 12)	25 (2.5, 18) 17 (1.7, 12)	





EMK20110

TRANSPORTING AND STORING OUTBOARD MOTOR

TRAILERING OUTBOARD MOTOR

The motor should be trailered and stored in the normal running position. If there is insufficient road clearance in this position, then trailer the motor in the tilt position using a motor support device such as a transom saver bar.

CAUTION:

Do not use the tilt support lever/knob when trailering the boat. The outboard motor could shake loose from the tilt support and fall. If the motor can not be trailered in the down position, use an additional support device to secure it in the up position.

WARNING

- Never get under the lower unit while it is tilted, even if a motor support bar is used. Severe injury could occur if the outboard accidentally falls.
- USE CARE when transporting fuel tank, whether in a boat or car. DO NOT fill fuel container to maximum capacity. Gasoline will expand considerably as it warms up and can build up pressure in the fuel container. This can cause fuel leakage and a potential fire hazard.

- ① Vertical position
② Horizontal position



When transporting or storing the outboard motor while removed from a boat, fold the tiller handle and lean the motor on the tiller handle to keep in a horizontal position.

NOTE:

Place a towel or the like under the outboard motor to protect it from damage.

CAUTION:

Keep the power unit higher than the propeller at all times. Otherwise, cooling water can run into the cylinder, which could result in damage.

EMK10001

STORING OUTBOARD MOTOR

When storing your Yamaha outboard for prolonged periods of time, (2 months or longer), several important procedures must be performed to prevent expensive damage. This is especially important for your Precision Blend equipped outboard due to the lean oil ratios used at idle prior to shutting the engine off for the season. It is advisable to have your outboard serviced by an authorized Yamaha dealer prior to storage. However, the following procedures can be performed by you, the owner, with a minimum of tools.

Filling Fuel Tank

Fill the fuel tank with fresh fuel and add one ounce of "Yamaha fuel conditioner and stabilizer" (Part No. LUB-FUELC-12-00) to each gallon of fuel.

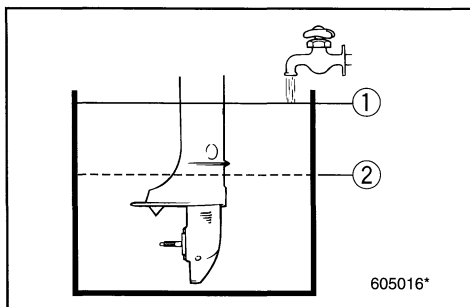
NOTE:

The use of Yamaha Fuel Conditioner and Stabilizer eliminates the need to drain the fuel system. Consult your Yamaha dealer or other qualified mechanic if the fuel system is to be drained instead.



Flushing Cooling System and Fogging Engine

Cooling system flushing is essential to prevent the cooling system from clogging up with salt, sand, or dirt. In addition, fogging of the engine is mandatory to prevent expensive engine damage due to rust. Perform the flushing and fogging at the same time.



- 1) Remove the engine top cowling and silencer cover.
- 2) Install the outboard motor on the water tank, and fill the tank with fresh water to above the level of the anti-cavitation plate.

- ① Water surface
② Lowest water level

CAUTION:

If the fresh water level is below the level of the anti-cavitation plate, or if the water supply is insufficient, engine seizure may occur.

WARNING

- Do not touch or remove electrical parts when starting or during operation.
- Keep hands, hair and clothes away from flywheel and other rotating parts while engine is running.

- 3) Run the engine at a fast idle for 10~15 minutes.
- 4) Just prior to turning off the engine, quickly spray "Yamaha Stor-Rite Engine Fogging Oil (Part No. LUB-STRRT-12-00) alternately into each carburetor. When properly done, the engine will smoke excessively and almost stall.



EMK26010

Lubrication

- 1) Remove the spark plugs, and spray a 10 second spray of Yamaha Stor-Rite Engine Fogging Oil into each cylinder. Grease the spark plug threads and reinstall the spark plugs and torque to proper specification. (Refer to the Periodic Maintenance section, "Cleaning and adjusting spark plug.").
- 2) Turn the engine over with the stop lanyard disconnected to work the fogging oil into the piston rings.
- 3) Change the lower unit oil. (Refer to the Periodic Maintenance section, "Changing gear oil."). Inspect the oil for the presence of water which indicates a leaky seal. Seal replacement should be performed by an authorized Yamaha dealership prior to use.
- 4) Grease all grease fittings. (Refer to the Periodic Maintenance section, "Greasing.")

EMK27010

Cleaning and Anti-corrosion Measure

- 1) Wash down the exterior of the outboard with fresh water and dry off completely.
- 2) Spray the engine's exterior with Yamaha Silicone Protectant (Part No. LUB-SILCNE-13-00).
- 3) Wax the cowling with a non-abrasive wax such as Yamaha Silicone Wax (Part No. ACC-11000-15-02).



EMK32110

PERIODIC MAINTENANCE

⚠ WARNING

Be sure to turn off the engine when you perform maintenance unless otherwise specified. If the owner is not familiar with machine servicing, this work should be done by a Yamaha dealer or other qualified mechanic.

A service manual is available for purchase through a Yamaha dealer for owners who have the mechanical skills, tools, and other equipment necessary to perform maintenance not covered by this owner's manual.

EMK33011

REPLACEMENT PARTS

If replacement parts are necessary, use only genuine Yamaha parts or equivalents of the same type and of equivalent strength and materials. Any part of inferior quality may malfunction, and the resulting loss of control could endanger the operator and passengers.

Yamaha genuine parts and accessories are available from a Yamaha dealer.



MAINTENANCE CHART

Frequency of maintenance operations may be adjusted according to the operating conditions, but the following table gives general guidelines.

The mark (●) indicates the check-ups which you may carry out yourself.
 The mark (○) indicates work to be carried out by your Yamaha dealer.

Item		Interval	Initial		Every		Refer page
			10 hours (1 month)	50 hours (3 months)	100 hours (6 months)	200 hours (1 year)	
Spark plug(s)	Cleaning/Adjustment/ Replacement		●	●	●		4-9
Greasing points	Greasing				●		4-15
Gear oil	Change		●		●		4-21
Fuel system	Inspection				●		4-11
Fuel filter(s)	Inspection/ Replacement		●	●	●		4-12
Fuel tank*2	Cleaning					●	4-22
Idling speed	Inspection/ Adjustment				●		4-13
Anode(s)	Inspection/ Replacement			○	○		4-23
Outboard motor exterior	Inspection			●	●		4-24
Cooling water passages *3	Flushing			●	●		4-5
Propeller/Cotter pin/ Shear pin	Inspection/ Replacement			●	●		4-18
Carburetor setting	Inspection/ Adjustment		○		○		—
Ignition timing	Inspection/ Adjustment		○		○		—
Bolts/Nuts	Retightening		○		○		4-24

*1for Electric starter model

*2If a portable fuel tank is equipped

*3When operating in salt water, turbid or muddy water, the engine should be flushed with clean water after each use.



EMK36010-*

CLEANING AND ADJUSTING SPARK PLUG

The spark plug is an important engine component and is easy to inspect. The condition of the spark plug can indicate something about the condition of the engine. For example, if the center electrode porcelain is very white, this could indicate an intake air leak or carburetion problem in that cylinder. Do not attempt to diagnose any problems yourself. Instead, take the outboard motor to a Yamaha dealer. You should periodically remove and inspect the spark plug because heat and deposits will cause the spark plug to slowly break down and erode. If electrode erosion becomes excessive, or if carbon and other deposits are excessive, you should replace the spark plug with another of the correct type.

Standard spark plug:
Refer to SPECIFICATIONS, Page 4-1.

Before fitting the spark plug, measure the electrode gap with a wire thickness gauge; adjust the gap to specification if necessary.

Spark plug gap:
Refer to SPECIFICATIONS, Page 4-1.

When fitting the plug, always clean the gasket surface and use a new gasket. Wipe off any dirt from the threads and screw in the spark plug to the correct torque.

Spark plug torque:
Refer to SPECIFICATIONS, Page 4-1.



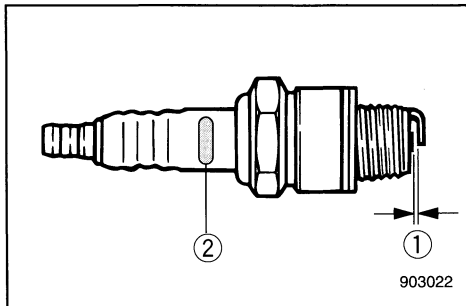
E

NOTE:

If a torque-wrench is not available when you are fitting a spark plug, a good estimate of the correct torque is 1/4 to 1/2 a turn past finger-tight. Have the spark plug adjusted to the correct torque as soon as possible with a torque-wrench.

⚠ WARNING

When removing or installing a spark plug, be careful not to damage the insulator. A damaged insulator could allow external sparks, which could lead to explosion or fire.

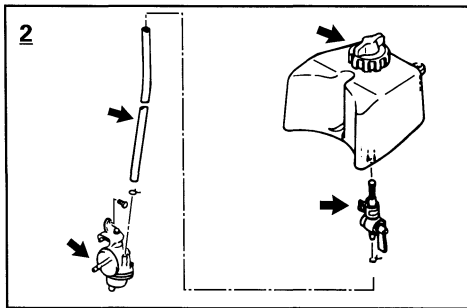


Spark plug I.D. mark	Plug-wrench size
B*HS-(10)	21 mm (13/16 ")

- ① Spark plug gap
- ② Spark plug I.D. mark (NGK)



E



EMK38010

CHECKING FUEL SYSTEM

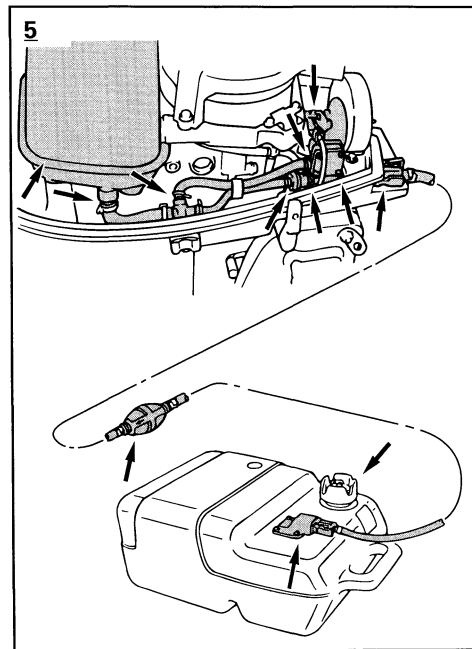
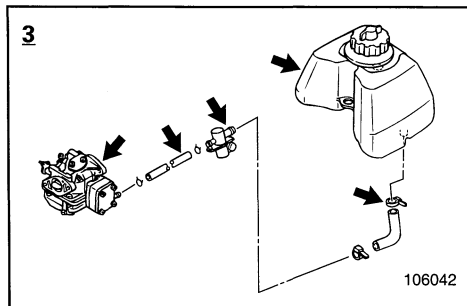
⚠WARNING

Gasoline (petrol) and its vapors are highly flammable and explosive. Keep away from sparks, cigarettes, flames or other sources of ignition.

Check the fuel line for leaks, cracks, or malfunctions. If any problem is found, it should be repaired immediately by Yamaha dealer or other qualified mechanic.

Checking points

- Fuel system parts leakage.
- Fuel hose joint leakage.
- Fuel hose cracks or other damage.
- Fuel connector leakage.



⚠WARNING

Leaking fuel can result in fire or explosion.

- Check for fuel leakage regularly.
- If any fuel leakage is found, the fuel system must be repaired by a qualified mechanic.

Improper repairs can make the outboard unsafe to operate.



EMM52010

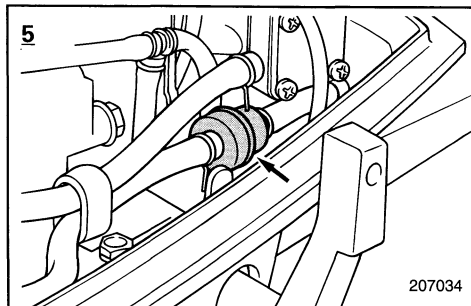
INSPECTING AND REPLACING FUEL FILTER

5

⚠WARNING

Gasoline (petrol) is highly flammable, and its vapors are flammable and explosive.

- If you have any question about properly doing the procedure, consult your Yamaha dealer.
- Do not perform the procedure on a hot or running engine. Allow the engine to cool.
- There will be fuel in the fuel filter. Keep away from sparks, cigarettes, flames or other sources of ignition.
- The procedure will allow some fuel to spill. Catch fuel in a rag. Wipe up any spilled fuel immediately.
- Improper replacement can result in a fuel leak, which could result in a fire or explosion hazard.



Check the fuel filter periodically. The fuel filter is a one-piece, disposable type. If foreign matter is found in the filter, replace it. For replacement of the fuel filter, consult a Yamaha dealer.



EMU00375

ADJUSTING IDLING SPEED**⚠ WARNING**

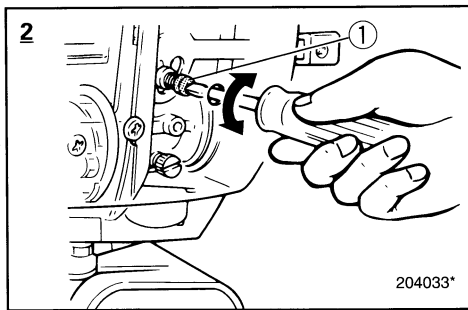
- Do not touch or remove electrical parts when starting or during operation.
- Keep hands, hair and clothes away from flywheel and other rotating parts while engine is running.
- 2-hp model: The propeller rotates whenever the engine is running. Do not move the throttle control lever from the start position during warm-up. The boat could unexpectedly start to move which could result in an accident.

CAUTION:

This procedure must be performed while the outboard motor is in the water. A flushing attachment or test tank can be used.

A diagnostic tachometer should be used for this procedure.

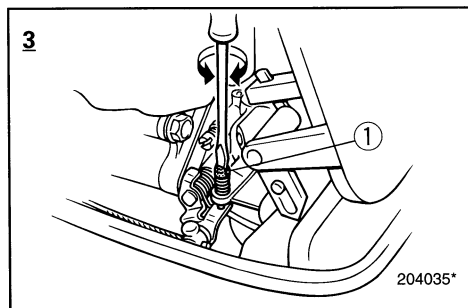
- 1) Start the engine and allow it to warm up fully in Neutral until it is running smoothly.
2-hp model: Warm the engine with the throttle in the Start position.
If the outboard is mounted on a boat, be sure the boat is tightly moored.



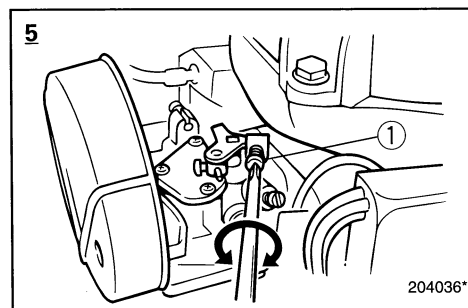
- 2) Adjust the throttle stop-screw to set the idling speed to specification (see "SPECIFICATIONS") by turning the stop-screw clockwise to increase the idling speed, and turning it counter-clockwise to decrease the idling speed.

NOTE:

Correct idling-speed adjustment is only possible if the engine is fully warmed-up. If not warmed up fully, the speed setting will tend to be too high. If you have difficulty obtaining the specified idle, consult a Yamaha dealer or other qualified mechanic.



- ① Throttle stop-screw



EMK78010

CHECKING WIRING AND CONNECTORS

- 1) Check that each grounding wire is properly secured.
- 2) Check that each connector is engaged securely.

EXHAUST LEAKAGE

Start the engine and check that no exhaust leaks from the joints between the exhaust cover, cylinder head and crank case.

WATER LEAKAGE

Start the engine and check that no water leaks from the joints between the exhaust cover, cylinder head and crank case.



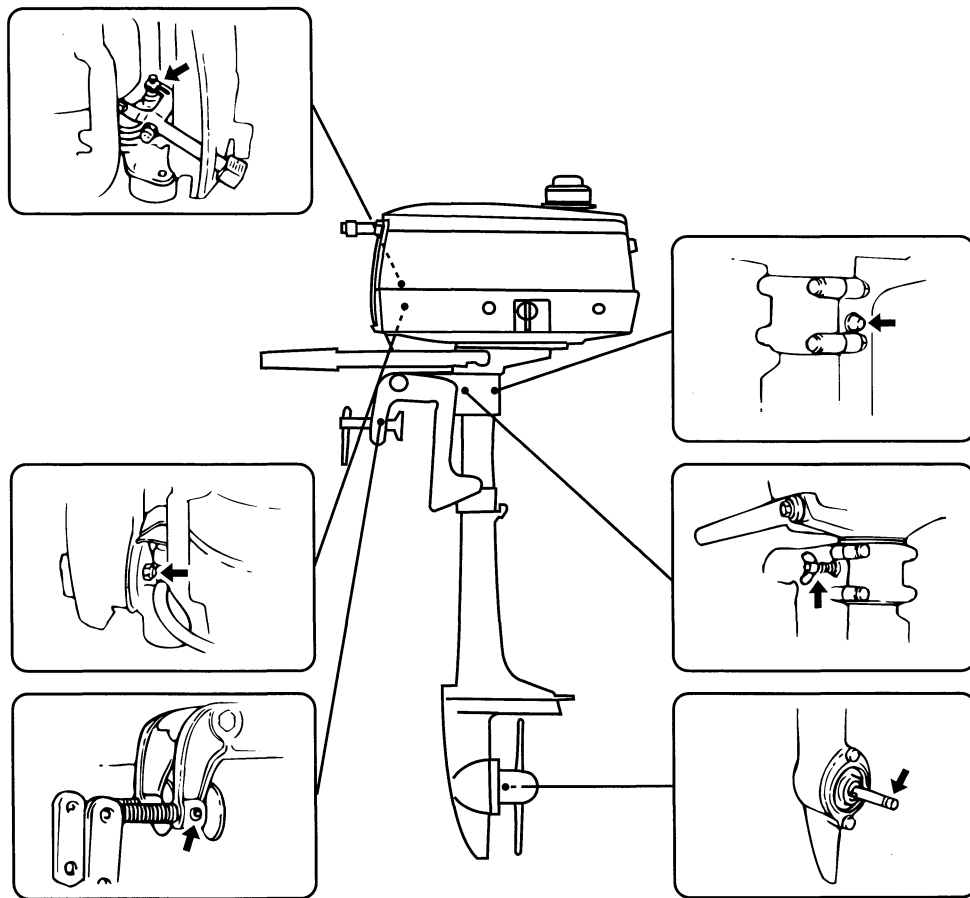
E

EMU00366

GREASING

Yamaha marine grease
(Water resistant grease)

2



103081



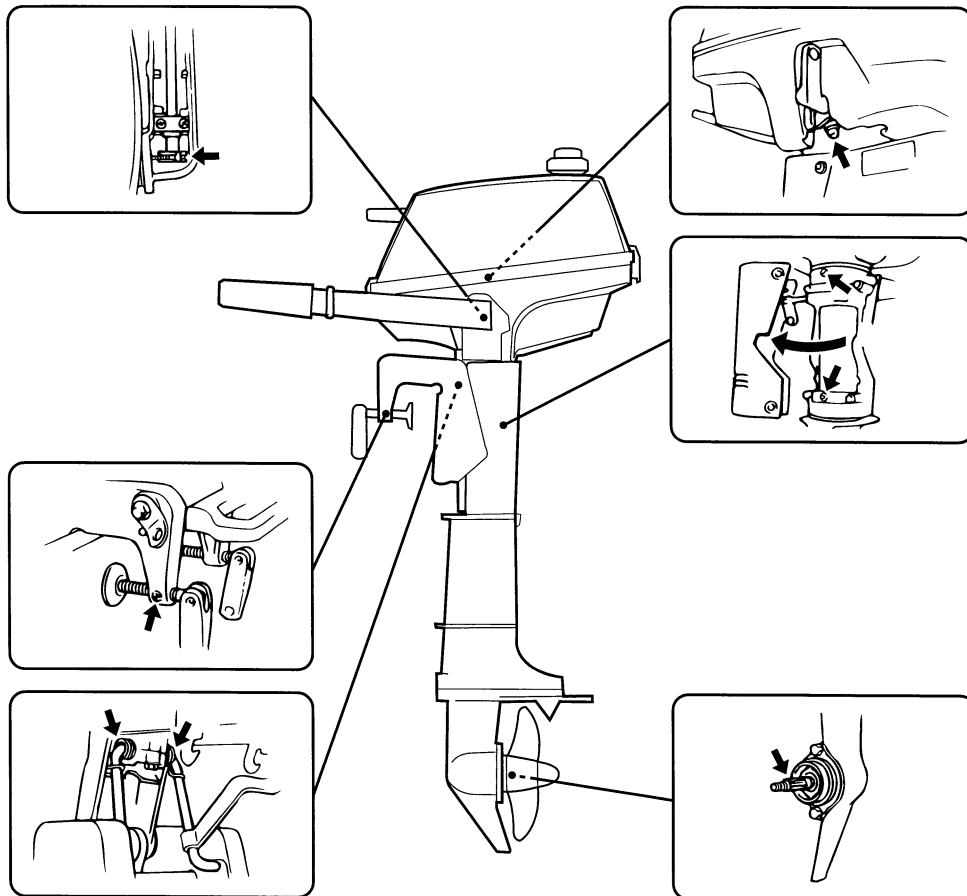
E

EMU00366

GREASING

Yamaha marine grease
(Water resistant grease)

3



103082



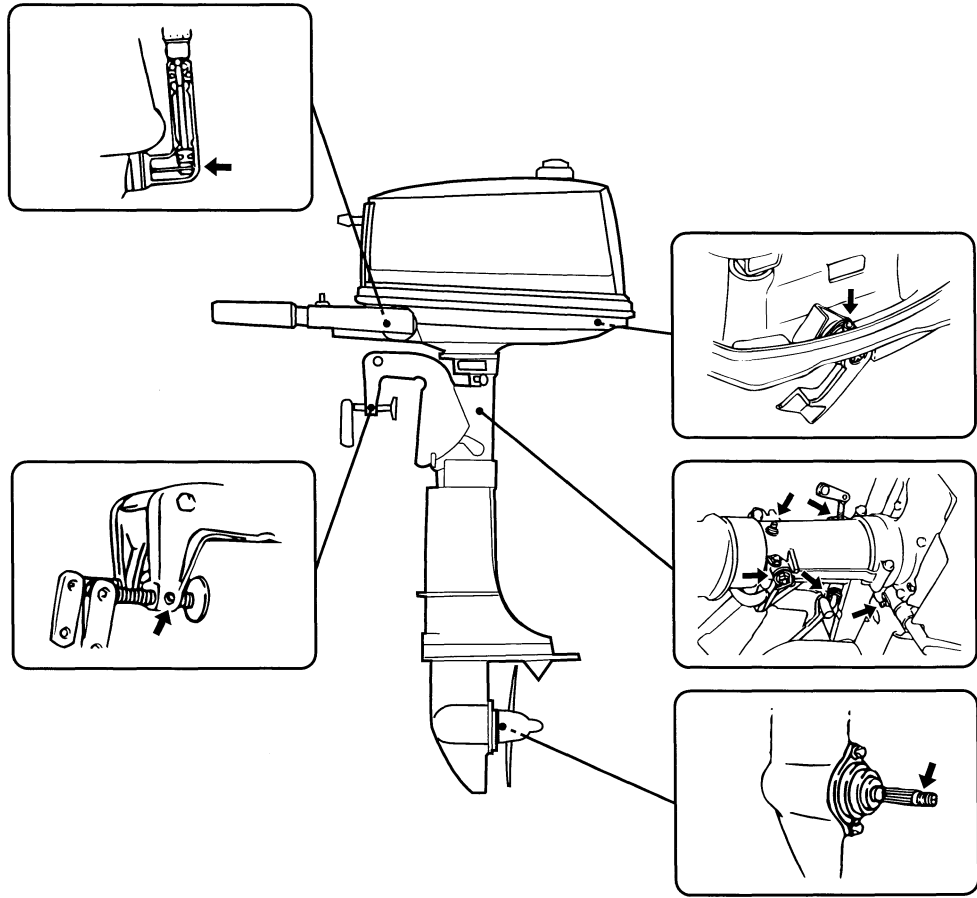
E

EMU00366

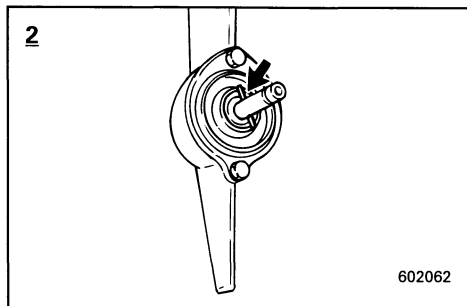
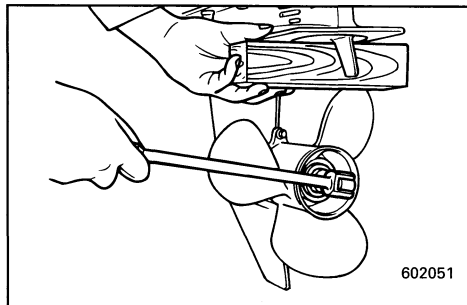
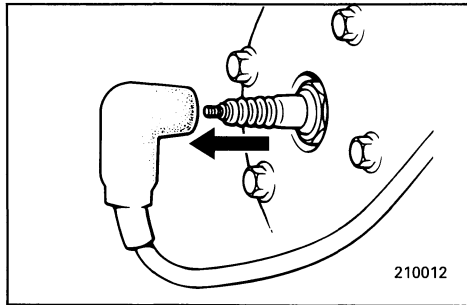
GREASING

Yamaha marine grease
(Water resistant grease)

5



103091



EML06011*

CHECKING PROPELLER; SHEAR PIN AND COTTER PIN

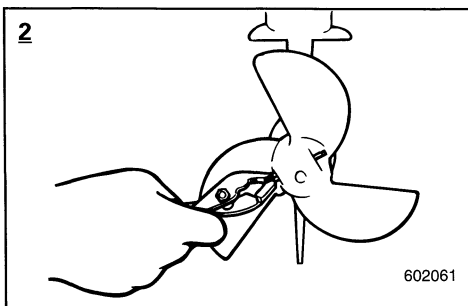
⚠ WARNING

You could be seriously injured if the engine accidentally starts while you are near the propeller.

- Before inspecting, removing or installing the propeller, remove the spark plug caps from the spark plugs. Also, put the shift control in Neutral, put the main switch in the "OFF" position and remove the key, and remove the lanyard from the engine stop switch. Turn off the battery cut-off switch if your boat has one.
- Do not use your hand to hold the propeller when loosening or tightening the propeller nut. Put a wood block between the cavitation plate and the propeller to prevent the propeller from turning.

2

- 1) Check each of the propeller blades for wear, erosion from cavitation or ventilation, or other damage.
- 2) Check the shear pin for wear or damage. The shear pin is designed to break if the propeller hits a hard underwater obstacle to help protect the propeller and drive mechanism. The propeller will then spin freely on the shaft. If this happens, the shear pin must be replaced.
- 3) Check for fish line winding around the propeller shaft. Check the propeller shaft oil seal for damage.



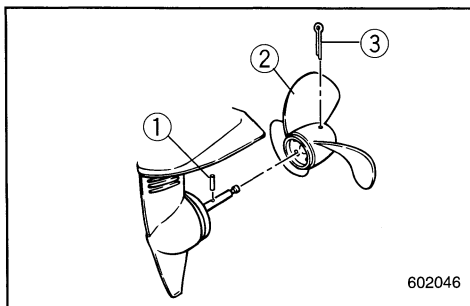
Removal

- 1) Using the pliers provided, straighten the cotter-pin and pull it out.
- 2) Remove the propeller.
- 3) Remove the shear-pin.

- ① Shear pin
- ② Propeller
- ③ Cotter pin

Installation

- 1) Apply Yamaha marine grease (water-resistant grease) to the propeller-shaft.
- 2) Insert the shear-pin into the hole in the propeller-shaft.
- 3) Align the shear-pin with the groove in the propeller-boss, and slide the propeller over the propeller-shaft.
- 4) Align the hole in the propeller with the recess in the propeller-shaft. Insert a new cotter pin in the hole and bend the cotter pin ends.

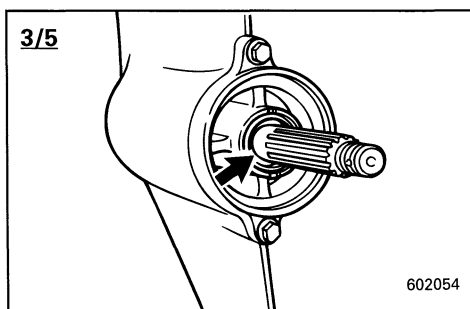


CAUTION:

Be sure to use a new cotter pin and bend the ends over securely. Otherwise, the propeller could come off during operation and be lost.

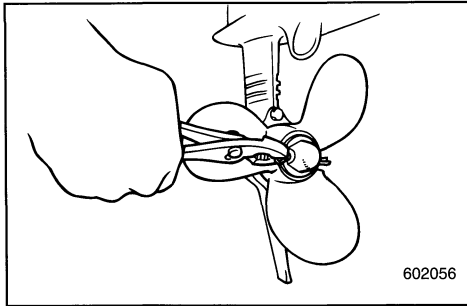
NOTE:

There is a holder on the steering handle for spare shear and cotter pins. Be sure to replace a pin in the holder if one is used.



3/5

- 1) Check each of propeller blades for wear, erosion from cavitation or ventilation, or other damage.
- 2) Check the splines for wear and damage.
- 3) Check for fish line winding around the propeller shaft. Check the propeller shaft oil seal for damage.



Removal

- 1) Using the pliers provided, straighten the cotter-pin and pull it out.
- 2) Remove the propeller nut.
- 3) Remove the propeller.

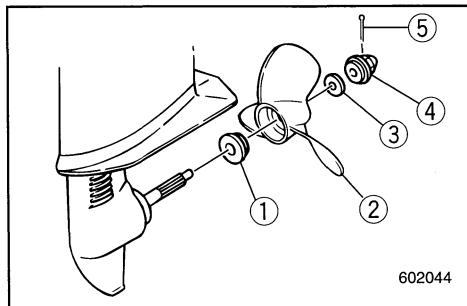
- | | |
|-----------------|-----------------|
| ① Thrust washer | ④ Propeller nut |
| ② Propeller | ⑤ Cotter pin |
| ③ Washer | |

Installation

- 1) Apply Marine grease (water-resistant grease) to the propeller-shaft.
- 2) Slide the propeller over the propeller-shaft.

CAUTION: _____

Be sure to install the thrust washer before installing propeller, otherwise, lower case and propeller boss may be damaged.



- 3) Tighten the propeller nut to the specified torque.

Tightening torque:
Refer to SPECIFICATIONS, Page 4-1.

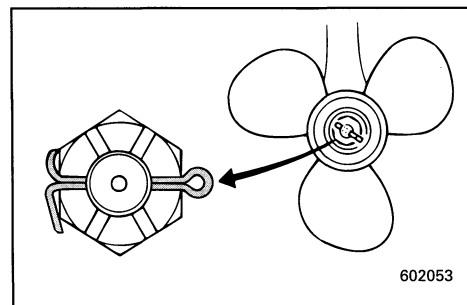
- 4) Align the propeller nut with the propeller-shaft hole. Insert a new cotter pin in the hole and bend the cotter pin ends.

NOTE: _____

When the propeller nut does not align with the propeller shaft hole after tightening to the specified torque, then tighten it more to align the hole.

CAUTION: _____

Be sure to use a new cotter pin and bend the ends over securely. Otherwise, the propeller could come off during operation and be lost.



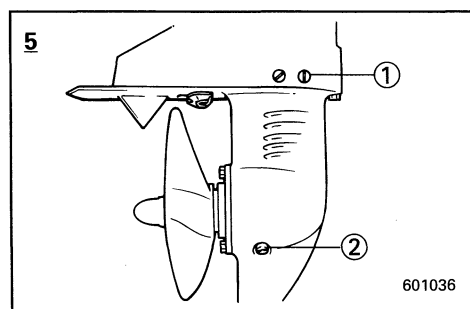
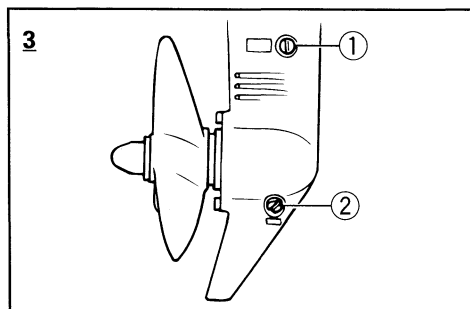
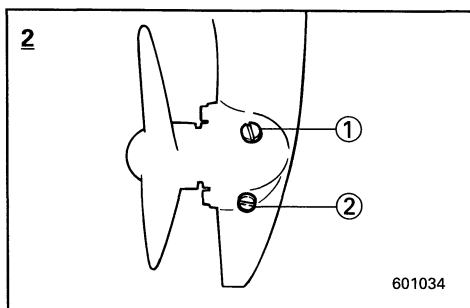


EML20010

CHANGING GEAR OIL**▲WARNING**

Never get under the lower unit while it is tilted, even when the tilt-support lever is locked. Severe injury could occur if the outboard accidentally falls.

- 1) Put the outboard in a vertical position (not tilted).

**▲WARNING**

Be sure the outboard is securely fastened to the transom or a stable stand. You could be severely injured if the outboard falls on you.

- 2) Place a suitable container under the gearcase.
- 3) Remove the oil drain plug.

NOTE:

The oil drain plug is magnetic. Remove all metal particles from the plug before reinstalling it.

- 4) Remove the oil level plug to allow the oil to drain completely.

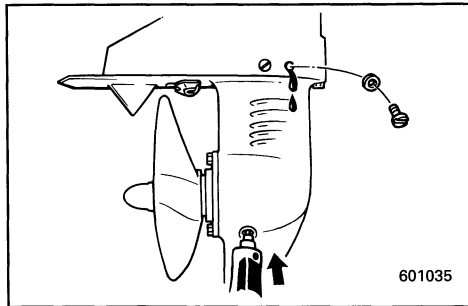
- ① Oil-level plug
- ② Oil drain-plug

CAUTION:

Inspect the used oil after it has been drained. If the oil is milky, water is getting into the gearcase which can cause gear damage. Consult a Yamaha dealer for repair of the lower unit seals.



E



NOTE:

For disposal of used oil consult your Yamaha dealer.

- 5) With the outboard motor in a vertical position, using a flexible or pressurized filling device, inject outboard motor hypoid gear oil (SAE 90) into the oil drain plug hole.

Gear oil capacity:

Refer to SPECIFICATIONS, Page 4-1.

- 6) When oil begins to flow out of the oil level plug hole, insert and tighten the oil level plug.
- 7) Insert and tighten in the oil drain plug.

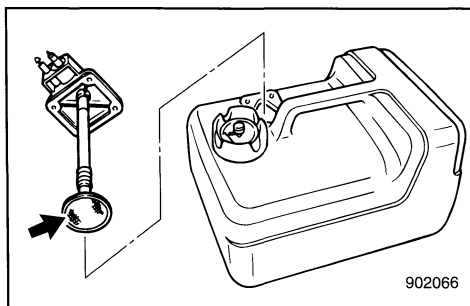
EML22011

CLEANING FUEL TANK

⚠WARNING

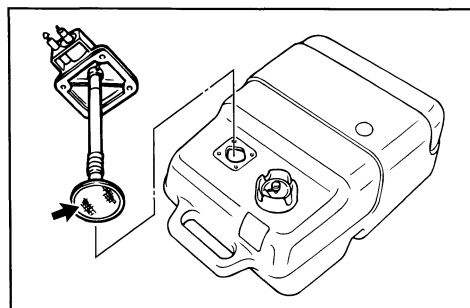
Gasoline (petrol) is highly flammable, and its vapors are flammable and explosive.

- If you have any question about properly doing this procedure, consult your Yamaha dealer.
- Keep away from sparks, cigarettes, flames or other sources of ignition when cleaning the fuel tank.
- Remove the fuel tank from the boat before cleaning it. Work only outdoors in an area with good ventilation.
- Wipe up any spilled fuel immediately.
- Reassemble the fuel tank carefully. Improper assembly can result in a fuel leak, which could result in a fire or explosion hazard.
- Dispose of old gasoline (petrol) according to local regulations.



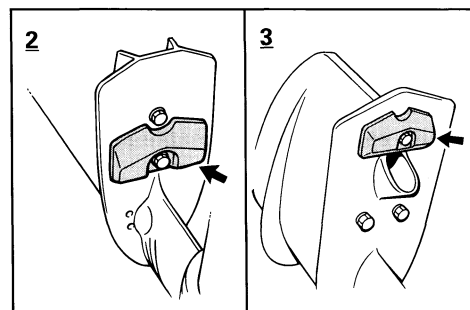
To clean the fuel tank

- 1) Empty the fuel tank into an approved gasoline (petrol) container.
- 2) Pour a small amount of suitable solvent in the tank. Reinstall the cap and shake the tank. Drain the solvent completely.



To clean the fuel filter

- 1) Remove the screws holding the fuel hose joint assembly. Pull the assembly out of the tank.
- 2) Clean the filter (located on the end of the suction pipe) in a suitable cleaning solvent. Allow the filter to dry.
- 3) Replace the gasket with a new one. Reinstall the fuel hose joint assembly and tighten the screws firmly.

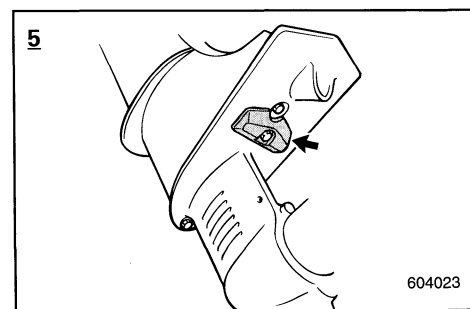


EML24010

INSPECTING AND REPLACING ANODE

Yamaha outboard motor is protected from corrosion by sacrificial anode.

Check the anode periodically. Remove the scales from surfaces of the anode. For the replacement of the anode, consult a Yamaha dealer.



CAUTION:

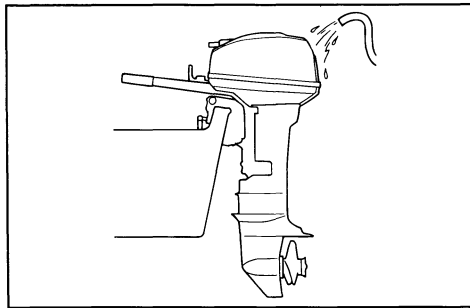
Do not paint the anode, for this would render it ineffective.



EML40010

CHECKING BOLTS AND NUTS

- 1) Check that bolts securing the cylinder head and engine and the nut securing the flywheel are tightened with their specified tightening torques.
- 2) Check the tightening torques of other bolts and nuts.



EML42010

MOTOR EXTERIOR**Cleaning the Outboard Motor**

After use, wash the exterior of the outboard with fresh water. Flush the cooling system with fresh water.

To clean cooling-water passages**NOTE:**

Refer to cooling system flushing instructions in TRANSPORTING AND STORING OUTBOARD MOTOR.

Checking Painted Surface of Motor

Check the motor for scratches, nicks, or flaking paint. Areas with damaged paint are more likely to corrode.

If necessary, clean and paint the areas. Consult a Yamaha dealer for touch-up paint.

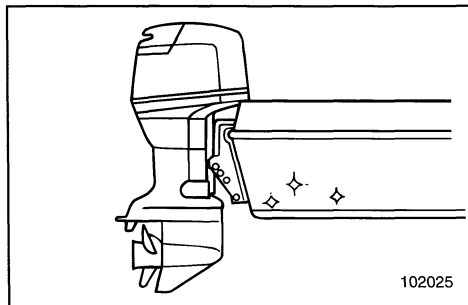
EMP60000

COATING THE BOAT BOTTOM

A clean hull improves boat performance. The boat bottom should be kept as clean of marine growths as possible.

If necessary, the boat bottom can be coated with an anti-fouling paint approved for your area to inhibit marine growth.

Do not use anti-fouling paint which includes copper or graphite. These paints can cause more rapid engine corrosion.





—MEMO—

EMN00010

Chapter 5 TROUBLE RECOVERY

TROUBLESHOOTING5-1

TEMPORARY ACTION IN
EMERGENCY.....5-5

Impact damage.....5-5

Starter will not operate.....5-6

Treatment of submerged

motor.....5-9





EMN10010

TROUBLESHOOTING

Trouble	Possible Cause	Remedy
A. Starter will not operate	<ol style="list-style-type: none">1. Battery capacity weak or low2. Battery connections loose or corroded3. Fuse for electric start circuit blown4. Starter components faulty5. Engine stop switch lanyard not attached6. Shift lever is gear-in position	<ol style="list-style-type: none">1. Check battery condition. Use battery of recommended capacity.2. Tighten battery cables and clean battery terminals.3. Check for cause of electric overload and repair. Replace fuse with one of correct amperage.4. Have Yamaha dealer service.5. Attach lanyard.6. Position to neutral.
B. Engine will not start (Starter operates)	<ol style="list-style-type: none">1. Fuel tank empty2. Fuel contaminated or stale3. Fuel filter clogged4. Starting procedure is wrong5. Fuel pump malfunctions6. Spark plug(s) fouled or wrong type7. Spark plug cap(s) fitted incorrectly8. Poor connections or damaged ignition wiring9. Ignition parts faulty10. Engine stop switch lanyard not attached11. Shift lever is gear-in position12. Engine inner parts damaged	<ol style="list-style-type: none">1. Fill tank with clean, fresh fuel.2. Fill tank with clean, fresh fuel.3. Clean or replace it.4. Read "STARTING ENGINE" section.5. Have Yamaha dealer service.6. Inspect spark plug(s). Clean or replace with recommended type.7. Check and re-fit cap(s).8. Check wires for wear or breaks. Tighten all loose connections. Replace worn or broken wires.9. Have Yamaha dealer service.10. Attach lanyard.11. Position to neutral.12. Have Yamaha dealer service.



Trouble	Possible Cause	Remedy
C. Engine idles irregularly or stalls	<ol style="list-style-type: none">1. Spark plug(s) fouled or wrong type2. Fuel system obstructed3. Fuel contaminated or stale4. Fuel filter clogged5. Failed ignition parts6. Warning system activated7. Spark plug gap incorrect8. Poor connections or damaged ignition wiring9. Specified engine oil not used10. Thermostat faulty or clogged11. Carburetor adjustments incorrect12. Fuel pump damaged13. Air vent screw on the fuel tank is closed14. Choke knob is pulled out15. Motor angle is too high16. Carburetor is clogged17. Fuel joint connection is wrong	<ol style="list-style-type: none">1. Inspect spark plug(s). Clean or replace with recommended type.2. Check for pinched or kinked fuel line or other obstructions in fuel system.3. Fill tank with clean, fresh fuel.4. Clean or replace filter.5. Have Yamaha dealer service.6. Find and correct cause.7. Inspect and adjust as specified.8. Check wires for wear or breaks. Tighten all loose connections.9. Check and replace it as specified.10. Have Yamaha dealer service.11. Have Yamaha dealer service.12. Have Yamaha dealer service.13. Open the air vent screw.14. Return to home position.15. Return to normal operating position.16. Have Yamaha dealer service.17. Connect correctly.





<p>D. Warning buzzer sounds or indicator lamp lights</p>	<ol style="list-style-type: none">1. Cooling system clogged2. Engine oil level low3. Heat range of spark plug incorrect4. Specified engine oil not used5. Engine oil contaminated or deteriorated6. Oil filter clogged7. Oil feed/injection pump malfunctions8. Load on boat improperly distributed9. Water pump/thermostat faulty	<ol style="list-style-type: none">1. Check water intake for restriction.2. Fill oil tank with specified engine oil.3. Check the plug condition and replace it with a correct one.4. Check and replace oil with specified type.5. Replace oil with fresh, specified type.6. Have Yamaha dealer service.7. Have Yamaha dealer service.8. Distribute load to place boat on an even plane.9. Have Yamaha dealer service.
<p>E. Engine power loss</p>	<ol style="list-style-type: none">1. Propeller damaged2. Propeller pitch or diameter wrong3. Trim angle incorrect4. Motor mounted at wrong height on transom5. Warning system activated6. Boat bottom fouled with marine growth7. Spark plug(s) fouled or wrong type8. Weeds or other foreign matter tangled on gear housing9. Fuel system obstructed10. Fuel filter clogged11. Fuel contaminated or stale12. Spark plug gap incorrect	<ol style="list-style-type: none">1. Have propeller repaired or replaced.2. Install correct propeller to operate outboard at its recommended rpm range.3. Adjust trim angle to gain most efficient operation.4. Have motor adjusted to proper transom height.5. Find and correct cause.6. Clean boat bottom.7. Inspect spark plug(s). Clean or replace with recommended type.8. Remove them and clean lower unit.9. Check for pinched or kinked fuel line or other obstructions in fuel system.10. Clean or replace filter.11. Fill tank with clean, fresh fuel.12. Inspect and adjust as specified.



Trouble	Possible Cause	Remedy
E. Engine power loss	13. Poor connections or damaged ignition wiring 14. Failed ignition parts 15. Specified engine oil not used 16. Thermostat faulty or clogged 17. Air vent screw is closed 18. Fuel pump damaged 19. Fuel joint connection is wrong 20. Heat range of spark plug incorrect	13. Check wires for wear or breaks. Tighten all loose connections. Replace worn or broken wires. 14. Have Yamaha dealer service. 15. Check and replace it as specified. 16. Have Yamaha dealer service. 17. Open the air vent screw. 18. Have Yamaha dealer service. 19. Connect correctly. 20. Check the plug condition and replace it with a correct one.
F. Engine vibrates excessively	1. Propeller damaged 2. Propeller shaft damaged 3. Weeds or other foreign matter tangled on propeller 4. Motor mounting bolt is loose 5. Steering pivot is loose or damaged	1. Have propeller repaired or replace. 2. Have Yamaha dealer service. 3. Remove and clean propeller. 4. Tighten the bolt. 5. Tighten or have Yamaha dealer service





EMN20010

TEMPORARY ACTION IN EMERGENCY

EMH80010

IMPACT DAMAGE

⚠WARNING

The outboard motor can be seriously damaged by a collision while operating or trailering. Damage could make the outboard motor unsafe to operate.



If the outboard motor hits any object in the water, (follow the procedure below;)

- 1) Stop the engine immediately .
- 2) Inspect control system and all components for damage. Also, inspect the boat damage .
- 3) However damage is found or not found, go back to a nearest harbor slowly and carefully.
- 4) Have a Yamaha dealer inspection of the outboard motor, before operating it again.



EMN30010

STARTER WILL NOT OPERATE

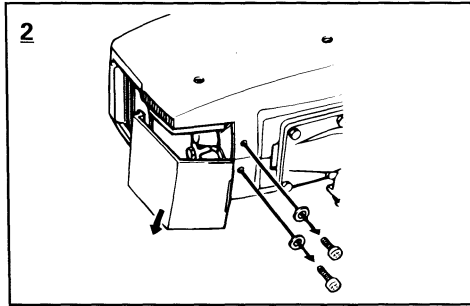
If the starter mechanism does not operate (engine cannot be cranked with the starter), the engine can be started with an emergency starter rope.

⚠ WARNING

- Use this procedure only in an emergency and only to return to port for repairs.
- When the emergency starter rope is used to start the engine, the start-in-gear protection device does not operate. Make sure the gear-shift lever is in neutral. Otherwise, the boat could unexpectedly start to move, which could result in an accident.
- 2-hp model: The propeller rotates whenever the engine is running. Do not move the throttle control lever from the start position during warm-up. Otherwise, the boat could unexpectedly start to move, which could result in an accident.
- Be sure no one is standing behind you when pulling the starter rope. It could whip behind you and injure someone.
- An unguarded rotating flywheel is very dangerous. Keep loose clothing and other objects away when starting the engine. Use the emergency starter rope only as instructed. Do not touch the flywheel or other moving parts when the engine is running. Do not install the starter mechanism or top cowling after the engine is running.
- Do not touch the ignition coil, high voltage wire, spark plug cap or other electrical components when starting or operating the motor. You could be shocked.



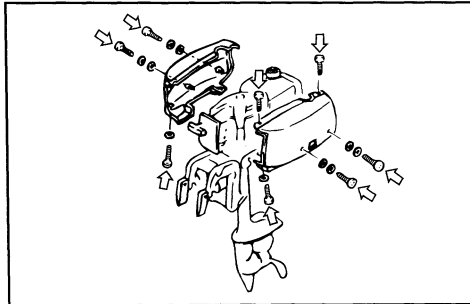
E



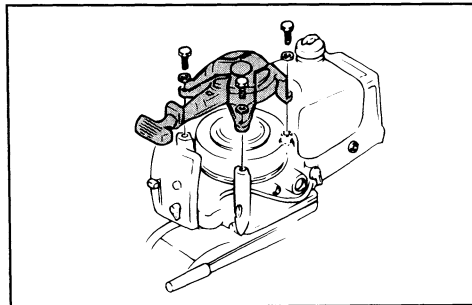
2

Procedure

1) Remove the spark plug cap cover by removing two screws.

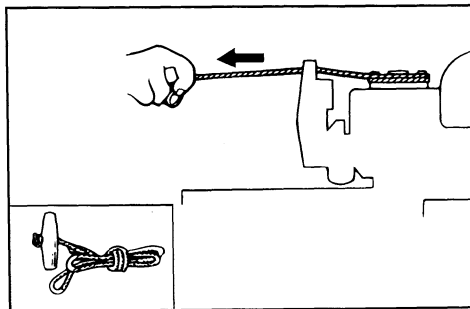


2) Remove the aprons by removing eight screws.

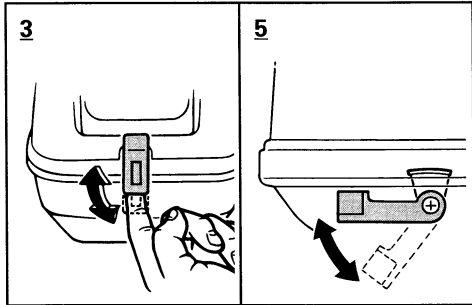


3) Remove the starter mechanism by removing three bolts.

4) Prepare the engine for starting. See STARTING ENGINE for procedures.



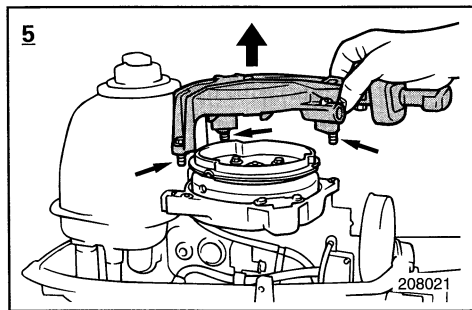
5) To start the engine with the emergency starter rope, insert the knotted end of the rope into the notch in the flywheel rotor and wind the rope one or two turns clockwise. Then, give a strong pull straight out to crank the engine. Repeat if necessary.



3/5

Procedure

1) Remove the top cowling.

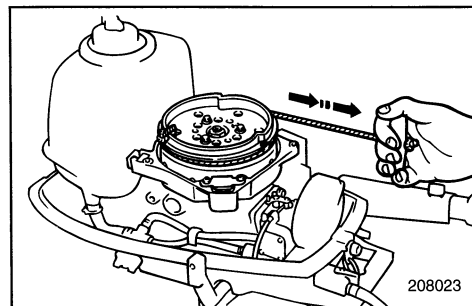


2) Remove the starter by removing the bolts.

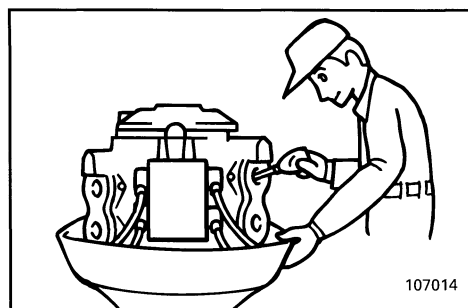
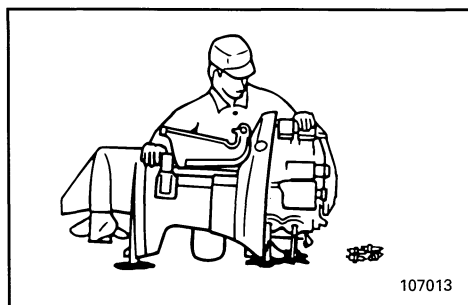
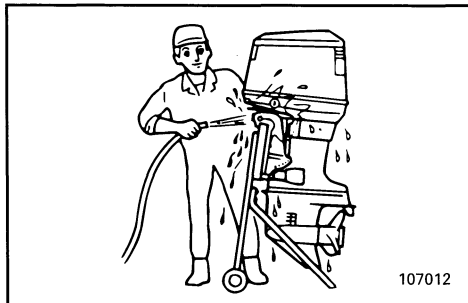
5

3) Disconnect the start-in-gear protection cable from the starter.

4) Prepare the engine for starting. See STARTING ENGINE for procedures. Be sure the engine is in Neutral.



5) To start the engine with emergency starter rope, insert the knotted end of the rope into the notch in the flywheel rotor and wind the rope several turns clockwise. Then, give a strong pull straight out to crank the engine. Repeat if necessary.



EMN50011

TREATMENT OF SUBMERGED MOTOR

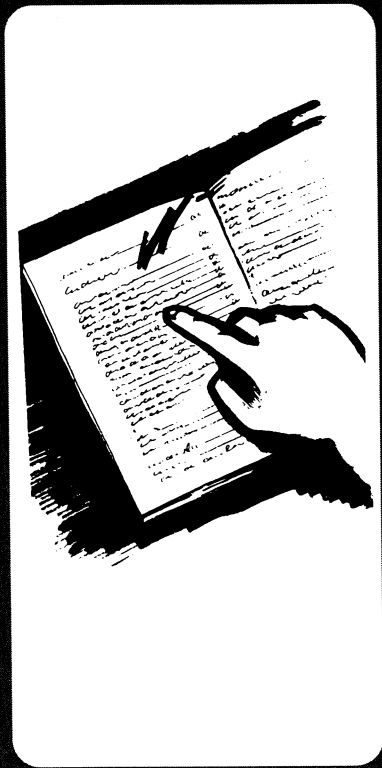
If the outboard motor is submerged, immediately take it to a Yamaha dealer. Otherwise, some corrosion may begin almost immediately. If you cannot immediately take the outboard motor to a Yamaha dealer, follow the procedure below for taking care to minimize engine damage.

- 1) Thoroughly wash away mud, salt, seaweed, etc. with fresh water.
- 2) Remove the spark plugs and face the spark plug holes downward to allow any water, mud or contaminants to drain.
- 3) Drain the fuel from the carburetor.
- 4) Feed fogging oil or engine oil through the carburetors and spark plug holes while cranking with the manual starter or emergency starter rope.
- 5) Take the outboard motor to a Yamaha dealer as soon as possible.

CAUTION:

Do not attempt to run the motor until it has been completely inspected.

A to Z



E

EMP00010

Chapter 6 INDEX

INDEX6-1

6

EMP10010

INDEX

- A**
 Adjusting idling speed4-13
 Adjusting trim angle.....3-20
 Air vent screw2-4
- B**
 Basic Boating rules
 (Rules of the road)1-6
 Breaking in (running in) engine.....3-9
- C**
 Changing gear oil4-21
 Checking bolts and nuts.....4-24
 Checking fuel system4-11
 Checking painted surface of motor ...4-24
 Checking propeller; shear pin and
 cotter pin4-18
 Checking wiring and connectors4-14
 Choke knob.....2-7
 Clamping the outboard motor.....3-4
 Cleaning and adjusting spark plug.....4-9
 Cleaning fuel tank4-22
 Cleaning the outboard motor4-24
 Coating boat bottom4-24
 Cruising in other conditions3-27
 Cruising in salt water.....3-27
 Cruising in shallow water3-22
 Cruising in turbid water3-27
- E**
 Emission control information1-2
 Engine oil.....1-11
 Engine stop button2-6
 Exhaust leakage4-14
- F**
 Filling fuel.....3-5
 Filling fuel and engine oil.....3-5
 Fuel cock.....2-8
 Fuel hose joint.....2-4
 Fuel meter2-4
 Fuel tank2-4
 Fuel tank cap2-4
 Fueling instructions1-10
- G**
 Gasoline (petrol) and oil mixing.....3-6
 Gasoline (petrol)1-11
 Gear shift lever.....2-5
 Greasing4-15
- I**
 Identification numbers record1-1
 Impact damage5-5
 Important labels.....1-5
 Index6-1
 Inspecting and replacing anodes4-23
 Inspecting and replacing fuel filter....4-12
 Installation.....3-1
- K**
 Key number.....1-1
- M**
 Main components.....2-1
 Maintenance chart.....4-8
 Motor exterior4-24
 Mounting the outboard motor.....3-2
 Mounting height3-3
- O**
 Operations of controls and
 other functions.....2-4
 Outboard motor serial number:1-1
- P**
 Periodic maintenance.....4-7
 Pre-operation check.....3-8
 Procedure for tiller control model3-13
 Procedure for tilting up3-25
 Procedure for tilting down3-26
 Propeller selection1-12
- R**
 Recoil starter handle.....2-7
 Replacement parts.....4-7
- S**
 Safety information.....1-3
 Shifting3-16
 Specification data4-1
 Start-in-gear protection1-13
 Starter will not operate5-6
 Starting engine3-11

Steering friction adjustment	2-10
Stopping engine	3-18
Storing outboard motor	4-4
T	
Temporary action in emergency	5-5
Throttle control	2-6
Throttle friction adjustment	2-9
Throttle indicator	2-6
Tiller handle	2-8
Tilt support bar	2-11
Tilt support knob.....	2-11
Tilting up/down.....	3-24
Top cowling lock lever	2-12
Trailing outboard motor	4-3
Transporting and storing outboard motor	4-3
Treatment of submerged motor.....	5-9
Trim angle adjusting rod.....	2-10
Trimming outboard motor.....	3-19
Troubleshooting	5-1
W	
Warming up engine.....	3-15
Water leakage	4-14
Warranty information	Next page

IMPORTANT WARRANTY INFORMATION FOR U.S.A. AND CANADA

Welcome to the Yamaha Family!

Congratulations on the purchase of your new Yamaha marine power. Yamaha is committed to exceptional customer satisfaction, and we want your ownership experience to be a satisfying one. Please read the following warranty information to help ensure satisfaction with your Yamaha.

Yamaha is ready to stand behind your purchase with strong warranty coverage. To be sure you receive all the benefits of warranty, please take the following steps:

1. Be sure your new Yamaha is registered for warranty. Your boat dealer should do this at the time of sale. Make sure your dealer gives you a copy of the completed Yamaha registration card for your records. If you are unsure whether or not your Yamaha is registered, complete the Warranty Registration card found inside the cover of the Owner's Manual. Mail it to the distributor for the country in which you live (see step 6 for the correct address). If your Yamaha is not properly registered, a warranty repair could be unnecessarily delayed while registration records are checked.
2. Read the Limited Warranty statement which follows these instructions. This warranty applies to Yamaha outboard motors sold in the United States, whether purchased separately or when supplied as original equipment by a boat builder. The terms also apply to original equipment packages sold in Canada, with coverage provided by Yamaha Motor Canada (see "Warranty Guide" for Canadian models). This warranty explains the conditions of the warranty, including the obligations that your dealer and you as the owner have under the warranty. For example, your Yamaha outboard must receive a proper pre-delivery inspection (PDI) by the selling dealer. Failure to take this important step could jeopardize warranty coverage!
3. If you need warranty repairs, you must take your Yamaha outboard to an authorized Yamaha outboard dealer. Be aware that not all selling boat dealers are authorized Yamaha dealers. Only authorized dealers have the factory training, special tools, and Yamaha support needed to perform warranty repairs.
4. If you are away from home, or your selling dealer is not an authorized Yamaha dealer, use the following toll-free numbers to find the nearest Yamaha dealer.

United States Dealer Locations: 1-800-692-6242

Canada Dealer Locations: 1-800-267-8577

5. Your warranty applies specifically to repairs made in the country of purchase. If your U.S.-purchased Yamaha needs warranty service while in Canada, or your Canadian purchased Yamaha needs service while in the United States, Yamaha will assist the local dealer whenever possible. However, some products available in one country may not be sold or serviced in the other.
6. If you need any additional information about your Yamaha or warranty coverage which your dealer cannot provide, please contact us directly.

Yamaha Motor Corporation, U.S.A.
P.O. Box 6555
Cypress, CA 90630
Attention: Customer Relations Department

Telephone No. (714) 761-7439
Fax No. (714) 761-7559

Yamaha Motor Canada Ltd.
480 Gordon Baker Road
North York, Ontario
M2H 3B4
Attention: Customer Relations Department

Telephone No. (416) 498-1911
Fax No. (416) 491-3122



YAMAHA MOTOR CORPORATION, U.S.A. OUTBOARD MOTOR TWO YEAR LIMITED WARRANTY

Yamaha Motor Corporation, U.S.A. is proud of its heritage and reputation for producing products with high standards of quality and workmanship. Product excellence provides the cornerstone for our commitment to customer satisfaction. The Yamaha Outboard Limited Warranty is your assurance of this commitment.

This warranty provides you with protection against the expense of repairs for your outboard motor that are required as a result of defects in materials or workmanship. When maintained and utilized in the prescribed manner, you can count on your Yamaha outboard to provide reliable service.

This warranty provides you with specific coverage and notes your responsibilities in maintaining and operating your outboard. Please take the time to read and become familiar with this warranty.

PERIOD OF WARRANTY. Any new Yamaha outboard motor purchased and registered with Yamaha Motor Corporation, U.S.A. for pleasure use in the United States, will be warranted against defects in material or workmanship for a period of two (2) years from date of purchase, subject to exclusions noted herein. Any Yamaha outboard motor purchased and utilized for commercial applications will be warranted for a period of one (1) year from the date of purchase, subject to exclusions noted herein. Yamaha peripheral equipment included with the motor, such as gauges, fuel tanks and hoses, remote control boxes, propellers, and wiring external from the motor unit, will be warranted for one (1) year from the date of purchase for either pleasure or commercial use. Replacement parts used in warranty repairs will be warranted for the balance of the applicable warranty period.

The second year of warranty (if applicable) shall be limited to covering the cost of parts and labor for major components only. The major components covered are:

Power Unit Section

- Power Head
- Intake Manifold and Reed Valve Assembly
- Carburetor Assembly and its Related Components
- Fuel and Oil Pump Assemblies
- Ignition System (Standard and Microcomputer)
- Precision Blend® System

Bracket Section

- Bracket System
- Power Trim and Tilt Assembly

Lower Unit Section

- Exhaust System
- Upper Casing
- Lower Unit Assembly

The warranty described here applies to outboard motor purchased and registered for use in the United States only excluding its territories. For warranty provisions outside the United States, contact the particular country's local Yamaha distributor.

WARRANTY REGISTRATION. To be eligible for warranty coverage, the outboard motor must first be registered with Yamaha Motor Corporation, U.S.A. A warranty registration form is provided in the Owner's Manual with each outboard. This form must be completed and mailed to Yamaha by either the selling dealer or the purchaser. Warranty registration can also be accomplished by any authorized Yamaha outboard dealer. Upon receipt of the registration, an Owner's Warranty Card will be sent by Yamaha to the registered purchaser.

OBTAINING REPAIRS UNDER WARRANTY. To receive repairs under this warranty, a valid Owner's Warranty Card must be presented to an authorized Yamaha outboard dealer.

During the period of warranty, any authorized Yamaha outboard dealer will, free of charge, repair or replace, at Yamaha's option, any parts adjudged defective by Yamaha due to faulty workmanship or material from the factory. All replaced parts will become the property of Yamaha Motor Corporation, U.S.A.

CUSTOMER'S RESPONSIBILITY. Under the terms of this warranty, the customer will be responsible for ensuring that the outboard motor is properly operated, maintained and stored as specified in the applicable Owner's Manual.

The owner of the outboard motor shall give notice to an authorized Yamaha marine dealer of any and all apparent defects within ten (10) days of discovery and make the motor available at that time for inspection and repairs at the dealer's place of business.

GENERAL EXCLUSIONS FROM WARRANTY. This warranty will not cover the repair of damage if the damage is a result of abuse or neglect of the product. Examples of abuse and neglect include, but are not limited to:

1. Racing or competition use, modification of original parts, abnormal strain.
2. Lack of proper maintenance and off-season storage as described in the Owner's Manual, improper mounting of the motor, installation of parts or accessories that are not equivalent in design and quality to genuine Yamaha parts.
3. Operation of the motor at an rpm other than specified, improper propeller selection, use of lubricants, oils, and fuel/oil mixtures that are not suitable for outboard motor use.
4. Damage as a result of accidents, collisions, contact with foreign materials, or submersion.
5. Growth of marine organisms on motor surfaces.
6. Normal deterioration.

SPECIFIC PARTS EXCLUDED FROM WARRANTY. Parts replaced due to normal wear or routine maintenance such as oil, spark plugs, shear pins, propellers, hubs, fuel and oil filters, brushes for the starter motor and power tilt motor, water pump impellers, and anodes are not covered by warranty. Charges for removal of the motor from a boat and transporting the motor to and from an authorized Yamaha outboard dealer are excluded from warranty coverage.

Specific parts excluded from the second year of warranty (if applicable) are:

- Top and Bottom Cowling
- Electric Components (other than ignition system)
- Rubber Components (such as hoses, tubes, rubber seals, fittings, and clamps)

TRANSFER OF WARRANTY. Transfer of the warranty from the original purchaser to any subsequent purchaser is possible by having the motor inspected by an authorized Yamaha outboard dealer and requesting the dealer to submit a change of registration to Yamaha Motor Corporation, U.S.A. within ten (10) days of the transfer.

YAMAHA MOTOR CORPORATION, U.S.A. MAKES NO OTHER WARRANTY OF ANY KIND, EXPRESSED OR IMPLIED. ALL IMPLIED WARRANTIES OF MERCHANTABILITY AND FITNESS FOR A PARTICULAR PURPOSE WHICH EXCEED THE OBLIGATIONS AND TIME LIMITS STATED IN THIS WARRANTY ARE HEREBY DISCLAIMED BY YAMAHA MOTOR CORPORATION, U.S.A. AND EXCLUDED FROM THIS WARRANTY.

SOME STATES DO NOT ALLOW LIMITATIONS ON HOW LONG AN IMPLIED WARRANTY LASTS, SO THE ABOVE LIMITATION MAY NOT APPLY TO YOU. ALSO EXCLUDED FROM THIS WARRANTY ARE ANY INCIDENTAL OR CONSEQUENTIAL DAMAGES INCLUDING LOSS OF USE. SOME STATES DO NOT ALLOW THE EXCLUSION OR LIMITATION OF INCIDENTAL OR CONSEQUENTIAL DAMAGES, SO THE ABOVE EXCLUSION MAY NOT APPLY TO YOU.

THIS WARRANTY GIVES YOU SPECIFIC LEGAL RIGHTS, AND YOU MAY ALSO HAVE OTHER RIGHTS WHICH VARY FROM STATE TO STATE.

YAMAHA MOTOR CORPORATION, U.S.A.
Post Office Box 6555
Cypress, California 90630

WARRANTY QUESTIONS AND ANSWERS

- Q. What costs are my responsibility during the warranty period?
A. The customer's responsibility includes all costs of normal maintenance services, non-warranty repairs, accident and collision damages.
- Q. What are some examples of "abnormal" strain, neglect, or abuse?
A. These terms are general and overlap each other in areas. Specific examples include:
Running the machine out of oil, operating the machine with a broken or damaged part which causes another part to fail, damage or failure due to improper or careless transportation, and/or tie down. If you have any specific questions on operation or maintenance, please contact your Yamaha outboard dealer for advice.
- Q. Does the warranty cover incidental costs such as towing or transportation due to a failure?
A. No. The warranty is limited to repair of the machine itself.
- Q. May I perform any or all of the recommended maintenance shown in the Owner's Manual instead of having the dealer do them?
A. Yes, if you are a qualified mechanic and follow the procedures specified in the Owner's and Service Manuals. We do recommend, however, that items requiring special tools or equipment be done by a Yamaha outboard dealer.
- Q. Will the warranty be void or canceled if I do not operate or maintain my new outboard exactly as specified in the Owner's Manual?
A. No. The warranty on a new outboard cannot be "voided" or "cancelled". However, if a particular failure is caused by operation or maintenance other than as shown in the Owner's Manual, that failure may not be covered under warranty.
- Q. What responsibility does a Yamaha outboard dealer have under this warranty?
A. Each Yamaha outboard dealer is expected to:
1. Completely set up each outboard he sells prior to delivery.
2. Explain the operation, maintenance, and warranty requirements to your satisfaction at the time of sale, and upon your request at any later date.
In addition, each Yamaha outboard dealer is held responsible for his setup, service and warranty repair work.
- Q. Is the warranty transferable to second owners?
A. Yes. The remainder of any existing warranty can be transferred upon request. The unit has to be inspected and re-registered by an authorized Yamaha outboard dealer for the policy to remain effective.

CUSTOMER SERVICE

If your machine requires warranty service, you must take it to any authorized Yamaha outboard dealer within the continental United States. Be sure to bring your warranty registration identification or other valid proof of the original date of purchase. If a question or problem arises regarding warranty, first contact the owner of the dealership. Since all warranty matters are handled at the dealer level, this person is in the best position to help you. If you are still not satisfied and require additional assistance, please write:

YAMAHA MOTOR CORPORATION U.S.A.
CUSTOMER RELATIONS DEPARTMENT
P.O.Box 6555
Cypress, California 90630

When contacting Yamaha Motor Corporation, U.S.A. don't forget to include any important information such as names, addresses, model, engine serial number, dates, and receipts.

CHANGE OF ADDRESS

The federal government requires each manufacturer of a motor vehicle to maintain a complete, up-to-date list of all first purchasers against the possibility of a safety-related defect and recall. This list is compiled from the purchase registrations sent to Yamaha Motor Corporation, U.S.A. by the selling dealer at the time of your purchase.

If you should move after you have purchased your new outboard, please advise us of your new address by sending a postcard listing your outboard model name, engine serial number, dealer number (or dealer's name) as it is shown on your warranty identification, your name and new mailing address. Mail to:

YAMAHA MOTOR CORPORATION, U.S.A.
WARRANTY DEPARTMENT
P.O.Box 6555
Cypress, California 90630

This will ensure that Yamaha Motor Corporation, U.S.A. has an up-to-date registration record in accordance with federal law.

***IMPORTANT WARRANTY INFORMATION
IF YOU USE YOUR YAMAHA OUTSIDE U.S.A. OR CANADA***

Welcome to the Yamaha Family!

Congratulations on the purchase of your new Yamaha marine power. Yamaha is committed to exceptional customer satisfaction, and we want your ownership experience to be a satisfying one. Please read the following warranty information to help ensure satisfaction with your Yamaha.

This model was manufactured as a U.S.A. specification model, and the warranty statement shown in this manual is for market. To receive the benefits of the warranty that applies to the country in which you use your Yamaha, please note the following information.

1. The warranty on this model is the same as equivalent models sold in the country where you will receive service. If you need more information about your warranty coverage or your Yamaha outside the U.S.A. or Canada, please contact an authorized Yamaha dealer in your country.
2. Keep a copy of your sales contract or invoice for the purchase of your Yamaha and present it if you need warranty repairs. This document should show the date of purchase, which is important evidence the repairing dealer will need to be sure your Yamaha is covered by warranty.
3. If your Yamaha needs warranty repairs, contact an authorized Yamaha dealer in the country where you are. He will explain how to get warranty service in that country.
4. This Yamaha model may not be sold in some countries. Therefore, in some cases your local dealer may not have all the parts or service information he may need, which may unavoidably delay repairs. If this happens, we thank you for your understanding and assure you we will attempt to resolve the situation as quickly as possible.



Free Manuals Download Website

<http://myh66.com>

<http://usermanuals.us>

<http://www.somanuals.com>

<http://www.4manuals.cc>

<http://www.manual-lib.com>

<http://www.404manual.com>

<http://www.luxmanual.com>

<http://aubethermostatmanual.com>

Golf course search by state

<http://golfingnear.com>

Email search by domain

<http://emailbydomain.com>

Auto manuals search

<http://auto.somanuals.com>

TV manuals search

<http://tv.somanuals.com>