



YAMAHA



**F225A
LF225A**

OWNER'S MANUAL

U.S.A. Edition

LIT-18626-04-66

 WARNING

The engine exhaust from this product contains chemicals known to the State of California to cause cancer, birth defects or other reproductive harm.

YAMAHA

LIT-CALIF-65-01

TO THE OWNER

Thank you for choosing a Yamaha outboard motor. This Owner's manual contains information needed for proper operation, maintenance and care. A thorough understanding of these simple instructions will help you obtain maximum enjoyment from your new Yamaha. If you have any question about the operation or maintenance of your outboard motor, please consult a Yamaha dealer.

In this Owner's Manual particularly important information is distinguished in the following ways.



The Safety Alert Symbol means **ATTENTION! BECOME ALERT! YOUR SAFETY IS INVOLVED!**

WARNING

Failure to follow WARNING instructions could result in severe injury or death to the machine operator, a bystander, or a person inspecting or repairing the outboard motor.

CAUTION:

A CAUTION indicates special precautions that must be taken to avoid damage to the outboard motor.

NOTE:

A NOTE provides key information to make procedures easier or clearer.

* Yamaha continually seeks advancements in product design and quality. Therefore, while this manual contains the most current product information available at the time of printing, there may be minor discrepancies between your machine and this manual. If there is any question concerning this manual, please consult your Yamaha dealer.

NOTE:

The F225A, LF225A and their standard accessories are used as a base for the explanations and illustrations in this manual. Therefore, some items may not apply to every model.

**F225A/LF225A
OWNER'S MANUAL
©2001 by Yamaha Motor Corporation, USA
1st Edition, April 2001
All rights reserved.
Any reprinting or unauthorized use
without the written permission of
Yamaha Motor Corporation, USA
is expressly prohibited.
Printed in Japan
P/N LIT-18626-04-66**

CONTENTS

E



GENERAL INFORMATION

1



BASIC COMPONENTS

2



OPERATION

3



MAINTENANCE

4



TROUBLE RECOVERY

5



INDEX

6

**READ THIS OWNER'S MANUAL CAREFULLY
BEFORE OPERATING YOUR OUTBOARD MOTOR.**



EMU00004

Chapter 1

GENERAL INFORMATION

1

IDENTIFICATION NUMBERS

RECORD	1-1
Outboard motor serial number	1-1
Key number	1-1

EMISSION CONTROL INFORMATION 1-2

North american models.....	1-2
Star labels.....	1-3

SAFETY INFORMATION 1-4

IMPORTANT LABELS	1-6
Warning labels	1-6

BASIC BOATING RULES

(Rules of the road)	1-7
Steering and sailing rules and sound signals	1-7
Rules when encountering vessels.....	1-8
Other special situations.....	1-9

FUELING INSTRUCTIONS	1-11
Gasoline (petrol).....	1-12

ENGINE OIL 1-13

BATTERY REQUIREMENT 1-14

PROPELLER SELECTION 1-15

START-IN-GEAR PROTECTION 1-16



EMU00005

IDENTIFICATION NUMBERS RECORD

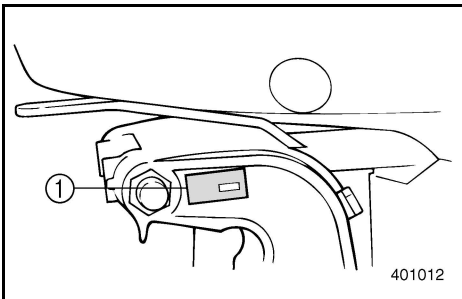
EMU00007

OUTBOARD MOTOR SERIAL NUMBER

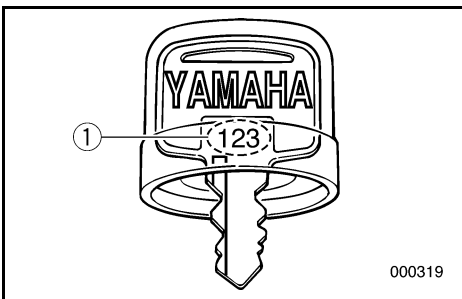


The outboard motor serial number is stamped on the label attached to the port side of the clamp-bracket.

Record your outboard motor serial number in the spaces provided to assist you in ordering spare parts from your Yamaha dealer or for reference in case your outboard motor is stolen.



① Outboard motor serial number



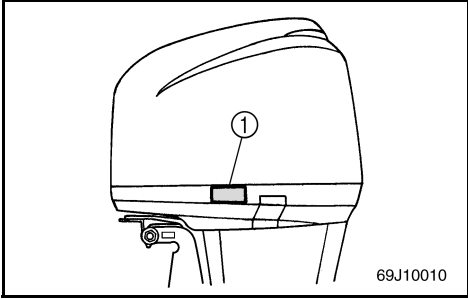
EMU00008

KEY NUMBER

--	--	--	--

If a main key switch is equipped with the motor, the key identification number is stamped on your key as shown in the illustration. Record this number in the space provided for reference in case you need a new key.

① Key number



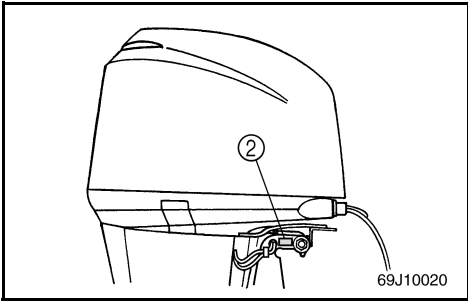
EMU01385

EMISSION CONTROL INFORMATION

EMU01444

NORTH AMERICAN MODELS

This engine conforms to U.S. Environmental Protection Agency (EPA) regulations for marine SI engines. See the label affixed to your engine for details.



Approval label of Emission control certificate

This label is attached to the bottom cowling.

① Emission control information label

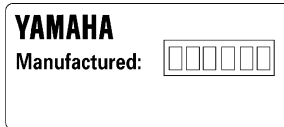
EMISSION CONTROL INFORMATION		EM
ENGINE FAMILY : _____		
THIS ENGINE CONFORMS TO _____ U.S. EPA REGULATIONS FOR MARINE SI ENGINES.		
THIS ENGINE CONFORMS TO _____ CALIFORNIA EMISSION REGULATIONS FOR SI MARINE ENGINES.		
REFER TO THE OWNERS MANUAL FOR MAINTENANCE SPECIFICATIONS AND ADJUSTMENTS.		
FELs : _____ g/kw-hr	IDLE SPEED : _____ rpm IN NEUTRAL	
SPARK PLUG : _____	SPARK PLUG GAP (mm) : _____	
DISPLACEMENT : _____ cm ³	FUEL : GASOLINE	
ADVERTISED POWER : _____ kw	VALVE LASH (mm) : IN _____ EX _____	
YAMAHA MOTOR CO.,LTD.		

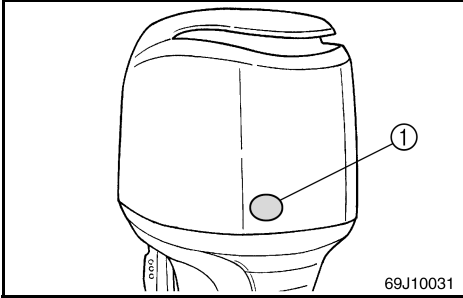
New Technology ; (4-stroke/HPDI) EM

Manufactured date label

This label is attached to the clamp bracket.

② Manufactured date label





EMU01389

STAR LABELS

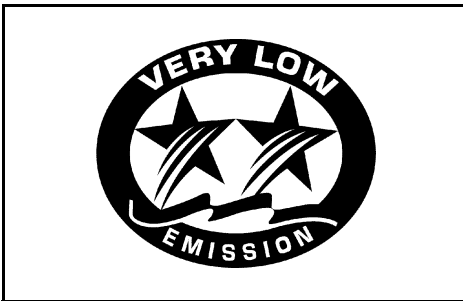
Your outboard motor is labeled with a California Air Resources Board (CARB) star label. See below for a description of your particular label.

① Star label



One Star - Low Emission

The one-star label identifies engines that meet the Air Resources Board's 2001 exhaust emission standards. Engines meeting these standards have 75% lower emissions than conventional carbureted two-stroke engines. These engines are equivalent to the U.S. EPA's 2006 standards for marine engines.



Two Stars - Very Low Emission

The two-star label identifies engines that meet the Air Resources Board's 2004 exhaust emission standards. Engines meeting these standards have 20% lower emissions than One Star-Low-Emission engines.



Three Stars - Ultra Low Emission

The three-star label identifies engines that meet the Air Resources Board's 2008 exhaust emission standards. Engines meeting these standards have 65% lower emissions than One Star-Low-Emission engines.



EMU00917



SAFETY INFORMATION

- Before mounting or operating the outboard motor, read this entire manual. Reading it should give you an understanding of the motor and its operation.
- Before operating the boat, read any owner's or operator's manuals supplied with it and all labels. Be sure you understand each item before operating.
- Do not overpower the boat with this outboard motor. Overpowering the boat could result in loss of control. The rated power of the outboard should be equal to or less than the rated horsepower capacity of the boat. If the rated horsepower capacity of the boat is unknown, consult the dealer or boat manufacturer.
- Do not modify the outboard. Modifications could make the motor unfit or unsafe to use.
- Never operate after drinking alcohol or taking drugs. About 50% of all boating fatalities involve intoxication.
- Have an approved personal flotation device (PFD) on board for every occupant. It is a good idea to wear a PFD whenever boating. At a minimum, children and non-swimmers should always wear PFDs, and everyone should wear PFDs when there are potentially hazardous boating conditions.
- Gasoline is highly flammable, and its vapors are flammable and explosive. Handle and store gasoline carefully. Make sure there are no gas fumes or leaking fuel before starting the engine.
- This product emits exhaust gases which contain carbon monoxide, a colorless, odorless gas which may cause brain damage or death when inhaled. Symptoms include nausea, dizziness, and drowsiness. Keep cockpit and cabin areas well ventilated. Avoid blocking exhaust outlets.
- Check throttle, shift, and steering for proper operation before starting the engine.
- Attach the engine stop switch lanyard to a secure place on your clothing, or your arm or leg while operating. If you accidentally leave the helm, the lanyard will pull from the switch, stopping the engine.
- Know the marine laws and regulations where you will be boating - and obey them. Refer to the "RULES OF THE ROAD" section for basic boating rules.
- Stay informed about the weather. Check weather forecasts before boating. Avoid boating in hazardous weather.
- Tell someone where you are going: leave a Float Plan with a responsible person. Be sure to cancel the Float Plan when you return.
- Use common sense and good judgment when boating. Know your abilities, and be sure you understand how your boat handles under the different boating conditions you may encounter. Operate within your limits, and the limits of your boat. Always operate at safe speeds, and keep a careful watch for obstacles and other traffic.
- Always watch carefully for swimmers during the engine operation.
- Stay away from swimming areas.



- When a swimmer is in the water near you shift into neutral and shut off the engine.
- Be informed about boating safety. Additional publications and information can be obtained from many organizations, including the following:

United States Coast Guard

Consumer Affairs Staff (G-BC)
Office of Boating, Public, and Consumer Affairs
U.S. Coast Guard Headquarters
Washington, D.C. 20593-0001
Boating Safety Hotline: 1-800-368-5647

National Marine Manufacturers Association (NMMA)

401 N. Michigan Ave.
Chicago, IL 60611

Marine Retailers Association of America

155 N. Michigan Ave.
Chicago, IL 60601



EMU00014*

IMPORTANT LABELS

WARNING LABELS

①

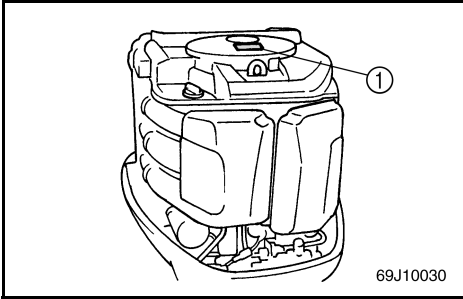


WARNING

- Be sure shift control is in neutral before starting engine. (except 2HP)
- Do not touch or remove electrical parts when starting or during operation.
- Keep hands, hair, and clothes away from flywheel and other rotating parts while engine is running.

YAMAHA

BA1-83625-61



69J10030



EMU00015

BASIC BOATING RULES (Rules of the road)

Just as there are rules which apply when you are driving on streets and high ways, there are waterway rules which apply when you are driving your boat. These rules are used internationally, and are also enforced by the United States Coast Guard and local agencies. You should be aware of these rules, and follow them whenever you encounter another vessel on the water.

Several sets of rules prevail according to geographic location, but are all basically the same as the International Rules of the Road. The rules presented here in your Owner's Manual are condensed, and have been provided for your convenience only. Consult your local U.S. Coast Guard Auxiliary or Department of Motor Vehicles for a complete set of rules governing the waters in which you will be using your boat.

STEERING AND SAILING RULES AND SOUND SIGNALS

Whenever two vessels on the water meet one another, one vessel has the right-of-way; it is called the "stand-on" vessel. The vessel which does not have the right-of-way is called the "give-way" or "burdened" vessel. These rules determine which vessel has the right-of-way, and what each vessel should do.

Stand-on vessel

The vessel with the right-of-way has the duty to continue its course and speed, except to avoid an immediate collision. When you maintain your direction and speed, the other vessel will be able to determine how best to avoid you.

Give-way vessel

The vessel which does not have the right-of-way has the duty to take positive and timely action to stay out of the way of the Stand-On vessel. Normally, you should not cross in front of the vessel with the right-of-way. You should slow down or change directions briefly and pass behind the other vessel. You should always move in such a way that the operator of the other vessel can see what you are doing.

"The general prudential rule"

This rule is called Rule 2 in the International Rules and says,

'In obeying and construing these rules due regard shall be had to all dangers of navigation and collision, and to any special circumstances, which may render a departure from the above rules necessary in order to avoid immediate danger.'

In other words, follow the standard rules except when a collision will occur unless both vessels try to avoid each other. If that is the case, both vessels become "Give-Way" vessels.



RULES WHEN ENCOUNTERING VESSELS

There are three main situations which you may encounter with other vessels which could lead to a collision unless the Steering Rules are followed:

Meeting

(you are approaching another vessel head-on)

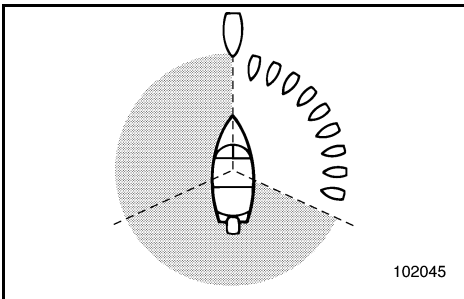
Crossing

(you are traveling across the other vessel's path)

Overtaking

(you are passing or being passed by another vessel)

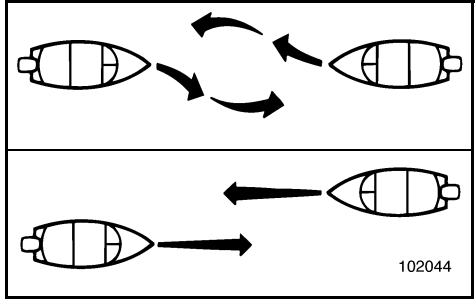
In the following illustration, your boat is in the center. You should give the right-of-way to any vessels shown in white area (you are the Give-Way vessel). Any vessels in the shaded area must yield to you (they are the Give-Way vessels). Both you and the meeting vessel must alter course to avoid each other.



Meeting

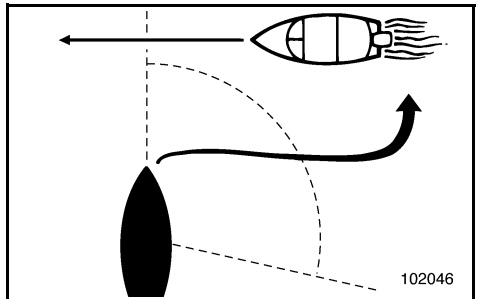
If you are meeting another power vessel head on, and are close enough to run the risk of collision, neither of you has the right-of-way! Both of you should alter course to

avoid an accident. You should keep the other vessel on your port (left) side. This rule doesn't apply if both of you will clear one another if you continue on your set course and speed.



Crossing

When two power driven vessels are crossing each other's path close enough to run the risk of collision, the vessel which has the other on the starboard (right) side must keep out of the way of the other. If the other vessel is on your right, you must keep out of its way; you are the Give-Way vessel. If the other vessel is on your port (left) side, remember that you should maintain course and direction, provided the other vessel gives you the right-of-way as it should.



Overtaking

If you are passing another vessel, you are the "Give-Way" vessel. This means that the



other vessel is expected to maintain its course and speed. You must stay out of its way until you are clear of it. Likewise, if another vessel is passing you, you should maintain your speed and direction so that the other vessel can steer itself around you.

OTHER SPECIAL SITUATIONS

There are three other rules you should be aware of when driving your boat around other vessels.

Narrow channels and bends

When navigating in narrow channels, you should keep to the right when it is safe and practical to do so. If the operator of a power-driven vessel is preparing to go around a bend that may obstruct the view of other water vessels, the operator should sound a prolonged blast on the whistle (4 to 6 seconds). If another vessel is around the bend, it too should sound the whistle. Even if no reply is heard, however, the vessel should still proceed around the bend with caution. If you navigate such waters with your boat, you will need to carry a portable air horn, available from local marine supply stores.

Fishing vessel right-of-way

All vessels which are fishing with nets, lines or trawls are considered to be "fishing vessels" under the International Rules. Vessels with trolling lines are not considered fishing vessels. Fishing vessels have the right-of-way regardless of position. Fishing vessels cannot, however, impede the passage of other vessels in narrow channels.

Sailing vessel right-of-way

Sailing vessels should normally be given the right-of-way. The exceptions to this are:

1. When the sailing vessel is overtaking the power-driven vessel, the power-driven vessel has the right-of-way.
2. Sailing vessels should keep clear of any fishing vessel.
3. In a narrow channel, a sailing vessel should not hamper the safe passage of a power-driven vessel which can navigate only in such a channel.

Reading buoys and other markers

The waters of the United States are marked for safe navigation by the lateral system of buoyage. Simply put, buoys and markers have an arrangement of shapes, colors, numbers and lights to show which side of the buoy a boater should pass on when navigating in a particular direction. The markings on these buoys are oriented from the perspective of being entered from seaward (the boater is going towards the port). This means that red buoys are passed on the starboard (right) side when proceeding from open water into port, and black buoys are to port (left) side. When navigating out of port, your position with respect to the buoys should be reversed; red buoys should be to port and black buoys to starboard.

Many bodies of water used by boaters are entirely within the boundaries of a particular state. The Uniform State Waterway Marking System has been devised for these waters. This system uses buoys and signs with distinctive shapes and colors to show regulatory or advisory information. These markers are white with black letters and orange borders. They signify speed zones, restricted areas, danger areas, and general information.



Remember, markings may vary by geographic location. Always consult local boating authorities before driving your boat in unfamiliar waters.

MAIN CHANNEL BUOYS

◇ "1" "3" "5" "7"
○ LIGHTED BUOY (Port Hand)
Odd number, increasing toward head of navigation. Leave to port (left) proceeding upstream.

White Light OR Green Light

old OR new

◇ "2" "4" "6"
○ LIGHTED BUOY (Starboard Hand)
Even number, increasing toward head of navigation. Leave to starboard (right) proceeding upstream.

White Light OR Red Light

old OR new

◇ "A"
○ LIGHTED SAFE WATER BUOY
No number. Marks midchannel, pass on either side. Letter has no lateral significance, used for identification and location purposes.

White Light OR Top Mark White Light

old OR new

◇ RB "L" OR RG "L"
○ LIGHTED PREFERRED CHANNEL TO PORT BUOY
No number. Topmost band red - preferred channel is to left of buoy. Letter has no lateral significance, used for identification and location purposes.

Red or White Light OR Red Light

old OR new

SECONDARY CHANNEL BUOYS
STARTS NEW NUMBERING SYSTEM

◇ C "1"
CAN BUOY
Odd number. Leave to port.

1 OR 1

old OR new

◇ N "2"
NUN BUOY
Even number. Leave to starboard

2

No change



EMU00016

FUELING INSTRUCTIONS

⚠ WARNING

GASOLINE AND ITS VAPORS ARE HIGHLY FLAMMABLE AND EXPLOSIVE!

- Do not smoke when refueling, and keep away from sparks, flames, or other sources of ignition.
- Stop engine before refueling.
- Refuel in a well-ventilated area.
- Take care not to spill gasoline. If gasoline spills, wipe it up immediately with dry rags.
- Do not overfill the fuel tank.
- Tighten the filler cap securely after refueling.
- If you should swallow some gasoline inhale a lot of gasoline vapor, or get gasoline in your eyes, get immediate medical attention.
- If any gasoline spills onto your skin, immediately wash with soap and water. Change clothing if gasoline spills on it.
- Touch the fuel nozzle to the filler opening or funnel to help prevent electrostatic sparks.

CAUTION:

Use only new clean gasoline which has been stored in clean containers and is not contaminated with water or foreign matter.



EMU00019

GASOLINE (PETROL)

Recommended gasoline:
Regular unleaded gasoline with a
minimum octane rating of 86
(Pump Octane Number) = $(R+M)/2$

If knocking or pinging occurs, use a different brand of gasoline or premium unleaded fuel.

EMU00027

Gasohol

There are two types of gasohol: gasohol containing ethanol and that containing methanol. Gasohol containing ethanol can be used if ethanol content does not exceed 10% and the fuel meets minimum octane ratings. Gasohol containing methanol is not recommended by Yamaha because it can cause fuel system damage or engine performance problems.



EMU01149

ENGINE OIL

Recommended engine oil;
Use a combination of corresponding SAE
and API shown in the chart below;

SAE				API
-4	32	68	104 °F	SE
-20	0	20	40 °C	SF
				SG
				SH
				SJ

10W-30, 10W-40

Engine oil quantity:
Refer to "SPECIFICATIONS", Page 4-1.

CAUTION:

All four-stroke engines are shipped from the factory without engine oil.

NOTE:

If the recommended engine oil is not available, then a multigrade type engine oil such as SF-CC/CD,SG-CC/CD or SH-CD can be used.





EMU01674

BATTERY REQUIREMENT

CAUTION:

Do not use a battery that does not meet the specified capacity. If a battery which differs from the specification is used, the electrical system may perform poorly or be overloaded, causing electrical system damage.

Choose a battery which meets the following specifications.

Minimum cold crank performance 512 Amps at -17.8°C (0°F) Minimum reserve capacity 182 Minutes at 26.7°C (80°F)

If the outboard motor's battery voltage becomes too low, the engine cannot be started.



PROPELLER SELECTION

The performance of your outboard motor will be critically affected by your choice of propeller, as an incorrect choice could adversely affect performance and could also seriously damage the motor. Engine speed depends on the propeller size and boat load. If engine speed is too high or too low for good engine performance, this will have an adverse effect on the engine.

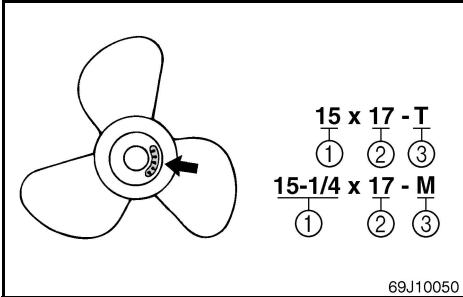
Yamaha outboard motors are fitted with propellers chosen to perform well over a range of applications, but there may be uses where a propeller with a different pitch would be more appropriate. For a greater operating load, a smaller-pitch propeller is more suitable as it enables the correct engine speed to be maintained. Conversely, a larger-pitch propeller is more suitable for a smaller operating load.

Yamaha dealers stock a range of propellers, and can advise you and install a propeller on your outboard that is best suited to your application.

NOTE: _____

At full throttle and under a maximum boat load, the engine's rpm should be within the upper half of the full throttle operating range, as listed in "SPECIFICATIONS" on page 4-1. Select a propeller which fulfills this requirement.

If operating under conditions which allow the engine's rpm to rise above the maximum recommended range (such as light boat loads), reduce the throttle setting to maintain the rpm in the proper operating range.



- ① Propeller diameter (in inches)
- ② Propeller pitch (in inches)
- ③ Type of propeller (propeller mark)

Refer to the section "CHECKING PROPELLER" for instructions on propeller removal and installation.

EMU01209*

START-IN-GEAR PROTECTION

Yamaha outboard motors or Yamaha approved remote control units are equipped with start-in-gear protection device(s). This feature permits the engine to be started only when it is Neutral. Always select Neutral before starting the engine.



-MEMO-



EMU00037

Chapter 2

BASIC COMPONENTS

MAIN COMPONENTS 2-1

OPERATIONS OF CONTROLS AND

OTHER FUNCTIONS 2-2

Remote control 2-2

Trim tab 2-8

Power trim/tilt switch 2-9

Digital tachometer 2-10

Digital speedometer 2-13

Fuel management meter 2-16

Tilt support lever 2-19

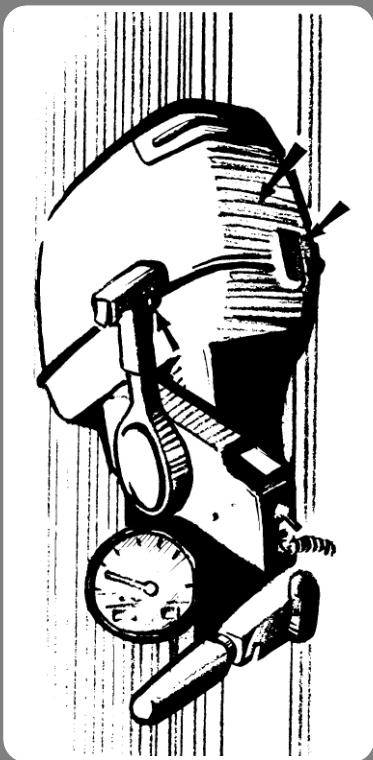
Top cowling lock levers 2-20

Flushing device 2-20

WARNING SYSTEM 2-21

Overheat warning 2-21

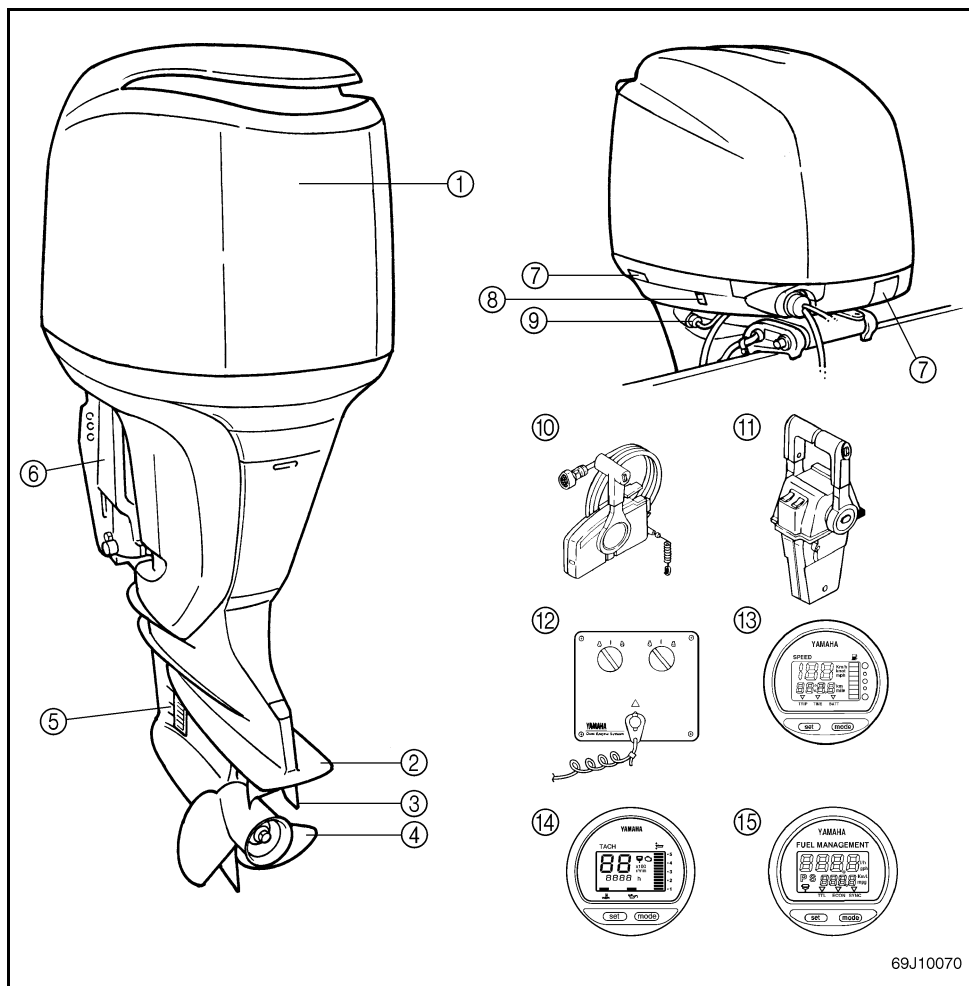
Low oil pressure warning 2-22





EMU01206

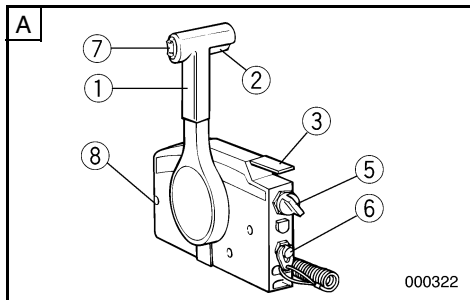
MAIN COMPONENTS



- ① Top cowling
- ② Anti-cavitation plate
- ③ Trim tab (Anode)
- * ④ Propeller
- ⑤ Cooling water inlet
- ⑥ Clamp bracket
- ⑦ Top cowling lock levers
- ⑧ Power trim and tilt switch
- ⑨ Flushing device

- * ⑩ Remote control box (Side mount type)
- * ⑪ Remote control box (Binnacle mount type)
- * ⑫ Switch panel (For use with ⑪)
- * ⑬ Digital speedometer
- * ⑭ Digital tachometer
- * ⑮ Fuel management meter

* May not be exactly as shown; also may not be included as standard equipment on all models.



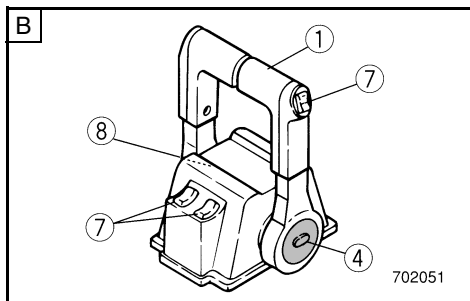
EMU00039

OPERATIONS OF CONTROLS AND OTHER FUNCTIONS

EMU01273

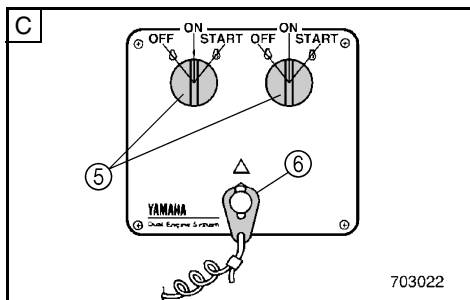
REMOTE CONTROL

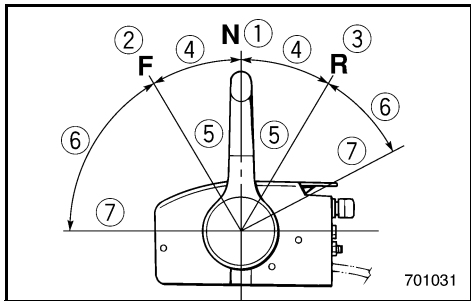
Both the shifter and the throttle are actuated by the remote control lever. In addition, the electrical switches are mounted on the remote control box.



- A** Side mount remote control box
- B** Binnacle mount remote control box
- C** Switch panel (for use with **B**)

- ① Remote control lever
- ② Neutral interlock trigger
- ③ Neutral throttle lever
- ④ Free accelerator
- ⑤ Main switch
- ⑥ Engine stop lanyard switch
- ⑦ Power trim/tilt switch
- ⑧ Throttle friction adjusting screw

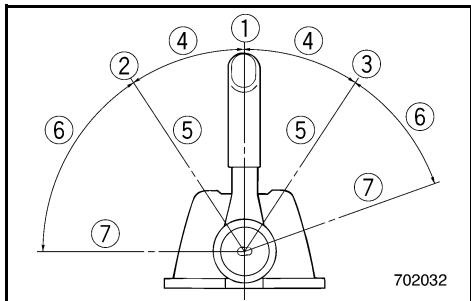




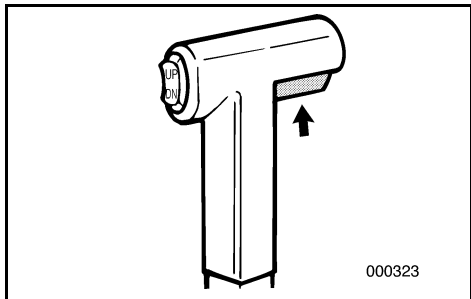
EMU00098

Remote Control Lever

Moving the lever forward from the Neutral position engages Forward gear. Pulling the lever back from Neutral engages Reverse. The engine will continue to run at idle until the lever is moved about 35° (a detent can be felt). Moving the lever farther opens the throttle, and the engine will begin to accelerate.



- ① Neutral
- ② Forward
- ③ Reverse
- ④ Shift
- ⑤ Fully closed
- ⑥ Throttle
- ⑦ Fully open



EMU00099

Neutral Interlock Trigger

To shift out of Neutral, the neutral interlock trigger of the remote control lever must first be pulled up.



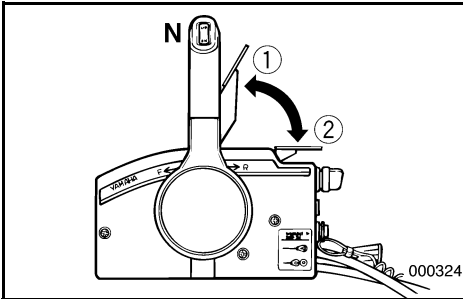
EMU00100

Neutral Throttle Lever

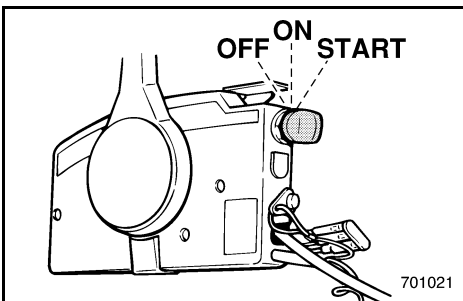
To open the throttle without shifting into either Forward or Reverse, place the remote control lever in the Neutral position and lift the neutral throttle lever.

NOTE:

The neutral throttle lever will operate only when the remote control lever is in Neutral. The remote control lever will operate only when the neutral throttle lever is in the closed position.



- ① Fully open
- ② Fully closed



EMU00101

Main switch

The main switch controls the ignition system; its operation is described below.

● OFF

Electrical circuits switched off.
(The key can be removed.)

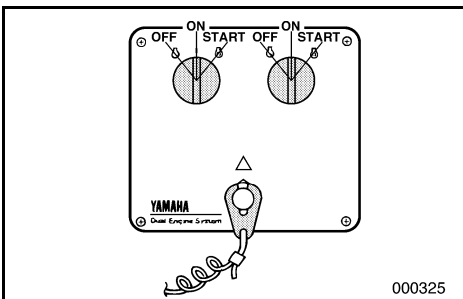
● ON

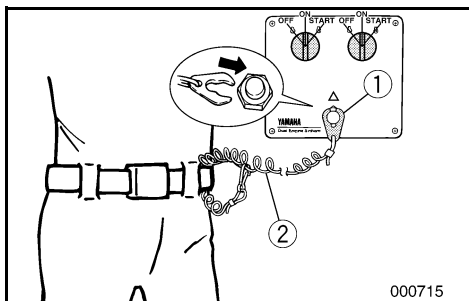
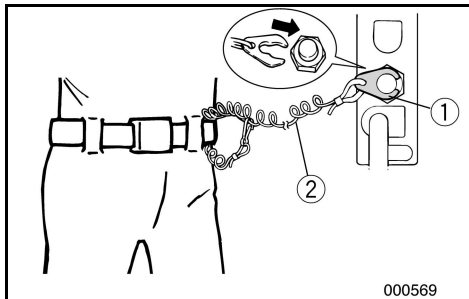
Electrical circuits switched on.
(The key cannot be removed.)

● START

Starter-motor will turn and start engine.

(When the key is released, it returns automatically to "ON".)





EMU00934

Engine Stop Lanyard Switch

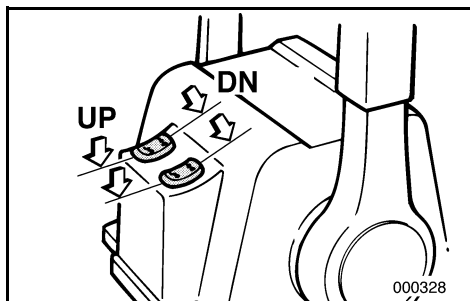
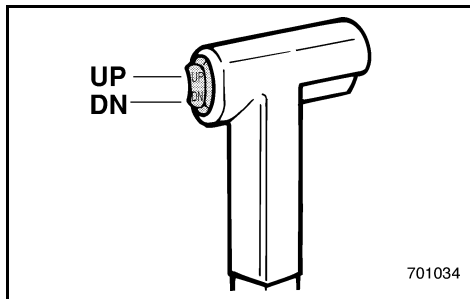
The lock-plate ① must be attached to the engine stop lanyard switch for the engine to run. The lanyard ② should be attached to a secure place on the operator's clothing, or arm or leg. Should the operator fall overboard or leave the helm, the lanyard will pull out the lock plate, stopping ignition to the engine. This will prevent the boat from running away under power.

⚠ WARNING

- Attach the lanyard to a secure place on your clothing, your arm or leg while operating.
- Do not attach the lanyard to clothing that could tear loose. Do not route the lanyard in such a way that it could become entangled, preventing it from functioning.
- Avoid accidentally pulling the lanyard during normal operation. Loss of engine power means the loss of most steering control. Also, without engine power, the boat could slow rapidly. This could cause people and objects in the boat to be thrown forward.

NOTE:

The engine cannot be started with the lock-plate removed.



EMU01112

Power Trim/Tilt Switches

The power trim/tilt adjusts the motor angle in relation to the transom. The power trim/tilt switch is located on the remote control lever grip. Individual-engine switches are also on the control cover. Pushing the switch “UP” trims the motor up, then tilts the motor up. Pressing the switch “DN” tilts the motor down and trims the motor down. When the switch button is released, the motor will stop in its current position.

NOTE:

- On the dual engine control, the switch on the remote control grip controls both engines at the same time.
- Refer to the sections “Adjusting Trim Angle” and “Tilting Up/Down” in Chapter 3 for instructions on usage.

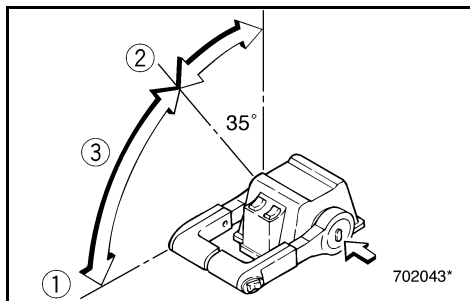
EMU00106

Free Accelerator

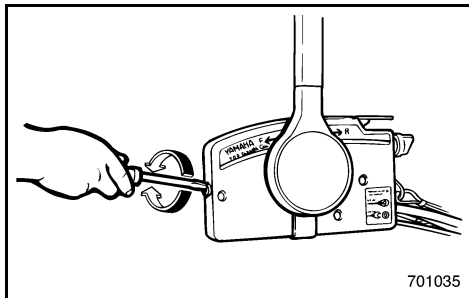
To open the throttle without shifting into either Forward or Reverse, push the free accelerator button and turn the remote control lever.

NOTE:

- The free accelerator button can be operated only when the remote control lever is in the Neutral position.
- After the button is pushed, the remote control lever must be moved at least 35° to begin opening the throttle.
- After operating the free accelerator, return the remote control lever to the Neutral position. The free accelerator button will return automatically to its set position. The remote control will then engage Forward and Reverse normally.



- ① Fully-open
- ② Fully-closed
- ③ Free accelerator

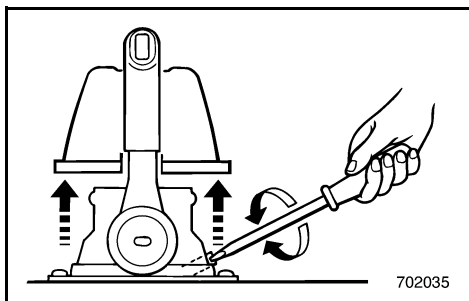


EMU01155

Throttle Friction Adjusting Screw

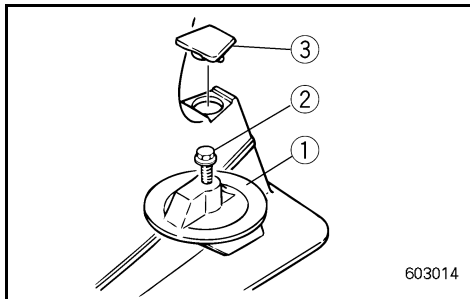
A friction device in the remote control box provides adjustable resistance to movement of the remote control lever, and can be set according to operator preference. An adjusting screw is located on the front of the remote control box.

Resistance	Screw
Increase	Turn clockwise
Decrease	Turn counterclockwise



⚠ WARNING

Do not overtighten the friction adjusting screw. If there is too much resistance, it may be difficult to move the lever, which could result in an accident.



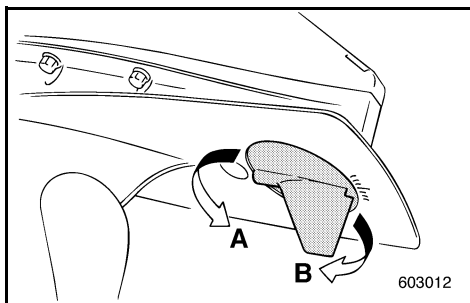
EMU01552

TRIM TAB

The trim tab should be adjusted so that the steering control can be turned to either the right or left by applying the same amount of force.

⚠ WARNING

An improperly adjusted trim tab may cause difficult steering. Always test run after the trim tab has been installed or replaced to be sure steering is correct. Be sure you have tightened the bolt after adjusting the trim tab.

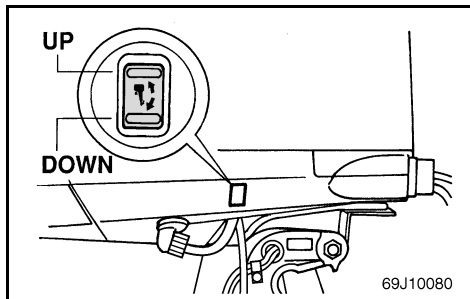


- ① Trim tab
- ② Bolt
- ③ Cap (if equipped)

Boat tends to veer	The fin of trim tab
To the left (port side)	Turn to the left (A in the figure)
To the right (starboard side)	Turn to the right (B in the figure)

CAUTION:

The trim tab also serves as an anode to protect the engine from electrochemical corrosion. Never paint the trim tab as it will become ineffective as an anode.



EMU01563

POWER TRIM/TILT SWITCH

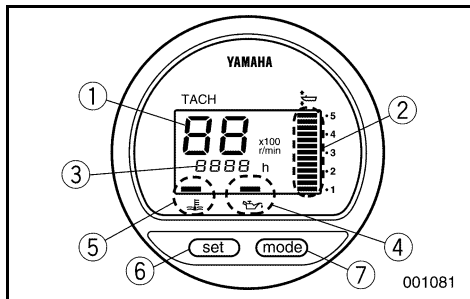
The power trim/tilt adjusts the motor angle in relation to the transom. The power trim/tilt switch is located on the side of the bottom engine cowling. Pushing the switch “UP” trims the motor up, then tilts the motor up. Pressing the switch “DN” tilts the motor down and trims the motor down. When the switch button is released, the motor will stop in its current position.

⚠ WARNING

Use the power trim/tilt switch located on the bottom engine cowling only when the boat is at a complete stop with the engine off. Attempting to use the cowling-mounted power trim/tilt switch while the boat is moving could increase the risk of falling overboard and could distract the operator, increasing the risk of collision with another boat or an obstacle.

NOTE:

Refer to the sections “ADJUSTING TRIM ANGLE” and “TILTING UP/DOWN” for instructions on usage.

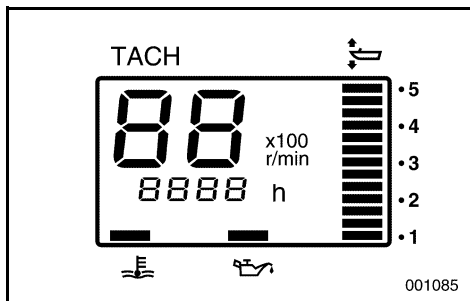


EMU01617

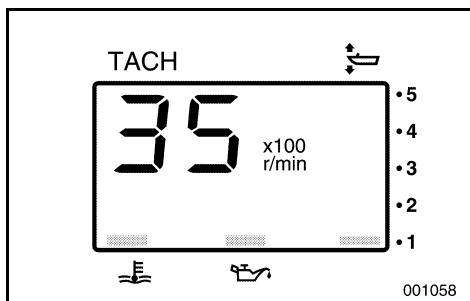
DIGITAL TACHOMETER

This gauge contains the tachometer, trim meter, hour meter, low oil pressure warning indicator, and the overheat warning indicator.

- ① Tachometer
- ② Trim meter
- ③ Hour meter
- ④ Low oil pressure warning indicator
- ⑤ Overheat warning indicator
- ⑥ Set button
- ⑦ Mode button



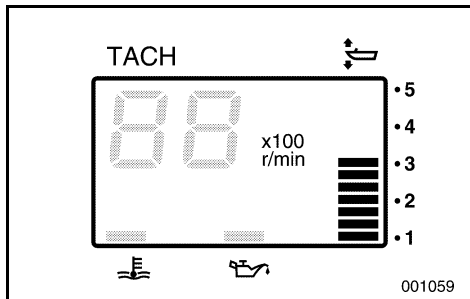
NOTE: _____
All segments of the display will light momentarily after the main switch is turned on and will return to normal thereafter.



EMU00136

Tachometer

This meter shows the engine speed.



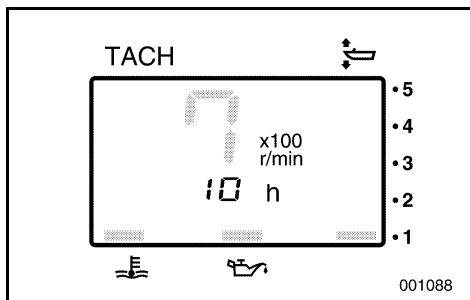
EMU01109

Trim Meter

This meter shows the trim angle of your outboard motor.

NOTE:

- Memorize the trim angles that work best for your boat under different conditions. Adjust the trim angle to the desired setting by operating the power trim and tilt switch.
- If the trim angle of your motor exceeds the trim operating range, the top segment on the trim meter display will start to blink.



EMU01620

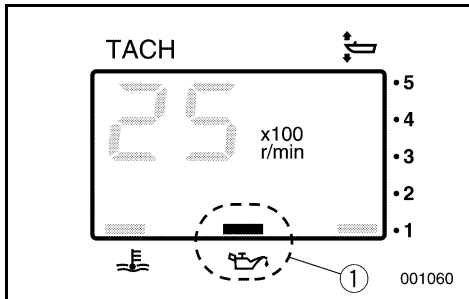
Hour Meter

This meter shows the number of hours the engine has been run. It can be set to show the total number of hours or the number of hours for the current trip. The display can also be turned on and off.

- Changing the display format
Pressing the MODE button changes the display format in the following circular pattern:
Total hours - Trip hours - Display off
- Resetting the trip hours
Simultaneously pressing the SET and MODE buttons for more than 1 second while the trip hours are displayed resets the trip counter to 0 (zero).

NOTE:

The total number of hours the engine has been run cannot be reset.



EMU01110

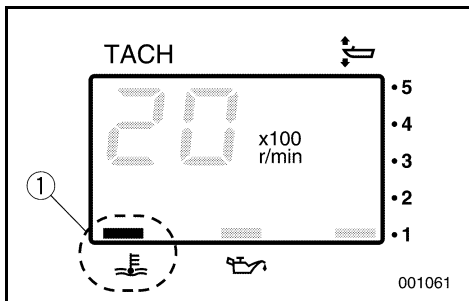
Low Oil Pressure Warning Indicator

If oil pressure drops too low, the warning indicator will start to blink. Refer to the section “LOW OIL PRESSURE WARNING” for details.

- ① Low oil pressure warning indicator

CAUTION:

- Do not operate the engine without oil. Serious engine damage will occur.
- The low oil pressure warning indicator does not indicate the oil level in the engine. Use the Oil Level Gauge to check the remaining oil quantity. (Refer to the section “CHECKING THE ENGINE OIL LEVEL” for details.)



EMU01553

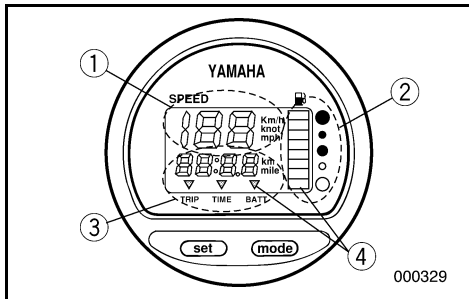
Overheat Warning Indicator

If the engine temperature rises too high, the warning indicator will start to blink. Refer to “OVERHEAT WARNING” for details.

- ① Overheat warning indicator

CAUTION:

Do not continue to operate the engine if a warning device has activated. If necessary, refer to the “TROUBLESHOOTING” section in this manual. Consult your dealer if the problem cannot be located and corrected.



EMU00140

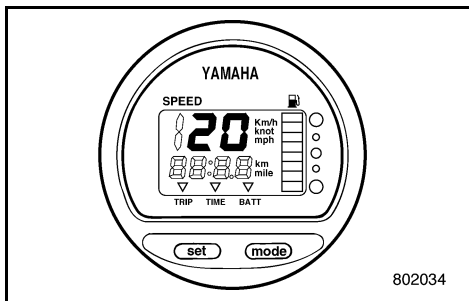
DIGITAL SPEEDOMETER

This meter contains the speedometer, fuel meter with warning, trip meter, clock and voltmeter with warning.

- ① Speedometer
- ② Fuel meter
- ③ Trip meter/clock/voltmeter
- ④ Warning indicator

NOTE:

After the main switch is first turned on, all portions of the meter come on as a check. After a few seconds, the meters will change to normal operation. Watch the meter when turning on the main switch to make sure all segments come on.



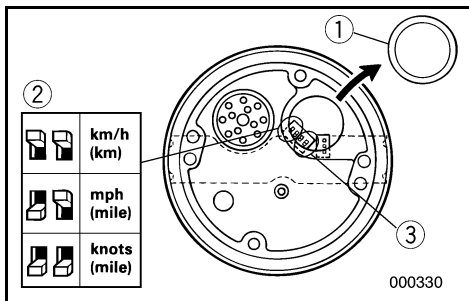
EMU00141

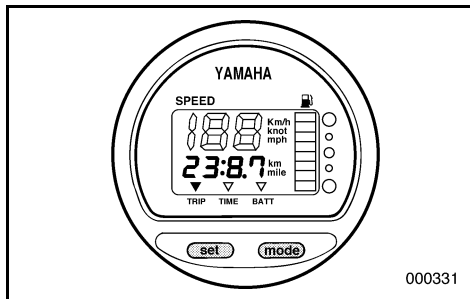
Speedometer

This meter shows the boat speed.

NOTE:

The speedometer displays km/h, mph, or knots, depending upon operator preference. Select the desired unit of measurement by setting the selector switch on the back of the meter. See the illustration for settings.





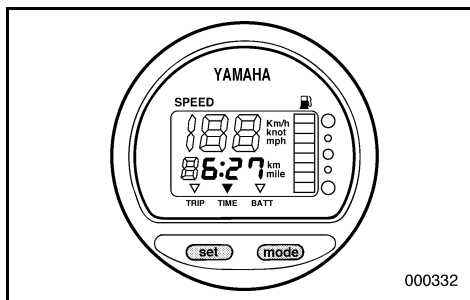
EMU01274

Trip Meter

This meter displays the distance the boat has traveled since the meter was last reset. Repeatedly push and release the “mode” button until the indicator on the face of the meter points to “TRIP”. To reset the trip meter to “0”, press the “set” and “mode” button together.

NOTE:

- The trip distance is shown in kilometers or miles depending upon the unit of measurement selected for the speedometer.
- The trip distance is kept in memory by battery power. The stored data will be lost if the battery is disconnected.



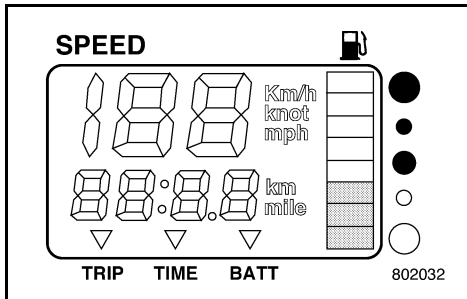
EMU01275

Clock

This meter shows the current time. Repeatedly push and release the “mode” button until the indicator on the face of the meter points to “TIME.” To set the clock, be sure the meter is in the “TIME” mode. Press the “set” button; the hour display will begin blinking. Press the “mode” button until the desired hour is displayed. Press the “set” button again, the minute display will begin blinking. Press the “mode” button until the desired minute is displayed. Press the “set” button again to start the clock.

NOTE:

The clock operates on battery power. Disconnecting the battery will stop the clock. Reset the clock after connecting the battery.



EMU01554

Fuel meter

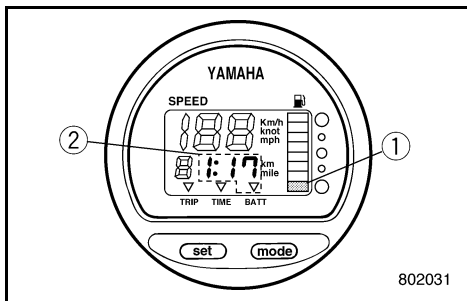
The fuel level is indicated by eight segments. When all segments are showing, the fuel tank is full.

CAUTION:

The Yamaha fuel tank sensor differs from conventional sensors. Incorrectly setting the selector switch on the meter will give false readings. Consult your Yamaha dealer on how to correctly set the selector switch.

NOTE:

The fuel reading can be affected by the position of the sensor in the fuel tank and the attitude of the boat in the water. Operation with bow-up trim or continuous turning can give false readings.



EMU01555

Warning indicators

● Fuel warning

If the fuel level decreases to one segment the fuel level warning segment ① will begin blinking.

● Low battery voltage warning

If battery voltage drops, the display ② will automatically turn on and begin blinking.

CAUTION:

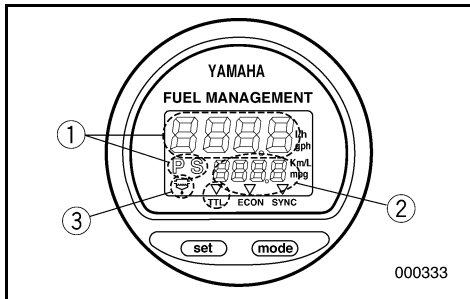
Do not continue to operate the engine if a warning device has activated. Refer to the “TROUBLESHOOTING” section in this manual. Consult your Yamaha dealer if the problem cannot be located and corrected.



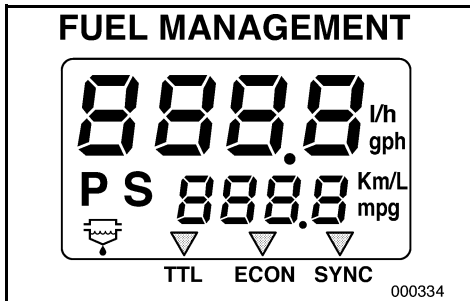
EMU00146

FUEL MANAGEMENT METER

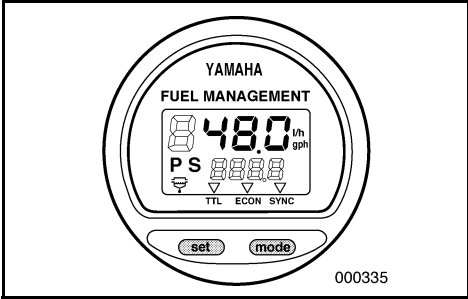
The meter contains the fuel flow meter, fuel consumption meter, fuel economy meter, twin engine speed synchronizer, water separator warning indicator.



- ① Fuel flow meter
- ② Fuel consumption / Fuel economy meter / Twin engine speed synchronizer
- ③ Water separator warning indicator (Operates only if the sensor has been installed.)



NOTE: _____
After the main switch is first turned on, all portions of the meter come on as a check. After a few seconds, the meters will change to normal operation. Watch the meter when turning on the main switch to make sure all segments come on.



EMU00147

Fuel Flow Meter

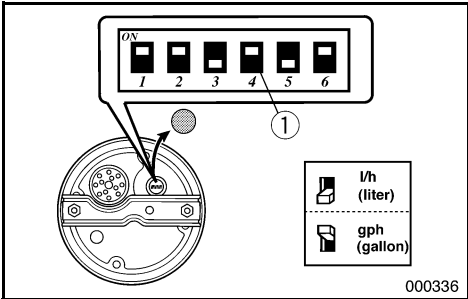
The meter displays fuel flow within one hour, at the rate of current engine operation.

If twin engines are installed on your boat, the meter will display total fuel flow of Port and Starboard side engine. It also displays PS indication at the same time.

By pressing “set” button, the meter will display fuel flow of starboard side engine and S indication.

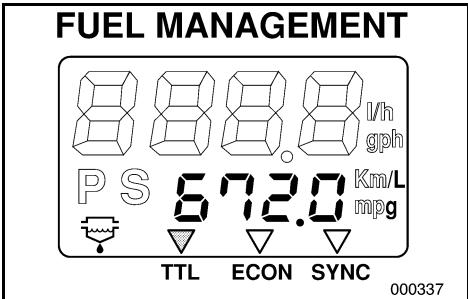
By pressing “set” button again, the meter will display fuel flow of port side engine and P indication.

By pressing “set” button again, the meter will display total fuel flow.



NOTE: _____

- The meter displays gallon/hour and liter depending upon operator preference. Select the desired unit of measurement by setting the selector switch ① on the back of the meter during installation.
- Fuel consumption meter and Fuel economy meter will indicate same unit of measurement.

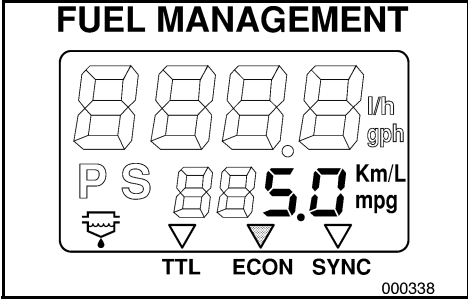


EMU01276

Fuel Consumption Meter

This meter displays the total amount of fuel consumed since the meter was last reset.

Repeatedly push and release the “mode” button until the indicator on the face of the meter points to total (“TTL”). To reset the total fuel consumption to “0”, press the “set” and “mode” buttons together.



EMU01277

Fuel Economy

This meter displays the distance per liter or gallon when cruising for reference use by the operator.

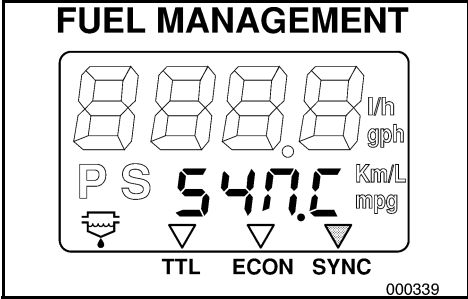
Repeatedly push and release the “mode” button until the indicator on the face of the meter points to “ECON.”

NOTE: _____

If twin engines are installed on your boat, the meter will display only the total fuel economy of both engines.

NOTE: _____

- Fuel consumption varies greatly with boat design, weight, propeller used, engine trim angle, sea conditions (including wind), and throttle position. Fuel consumption also varies slightly with the type of water (salt, fresh, and contaminate levels), air temperature and humidity, cleanliness of the boat bottom, engine mounting height, skill of the operator, and individual gasoline formulation (winter or summer fuel and amount of additives).
- The Yamaha digital speedometer and fuel management meter calculates speed, miles traveled, and fuel economy by water movement at the stern of the boat. This distance can vary greatly from the actual distance traveled because of water currents, sea swells, and the condition of the water speed sensor (partially plugged or damaged).
- Individual engines may slightly vary in their fuel consumption due to manufacturing variations. These variations can be even greater if the engines are of different year models. In addition, variations in propellers, even of the same basic dimensions of the same design, can also cause a slight variation in fuel consumption.



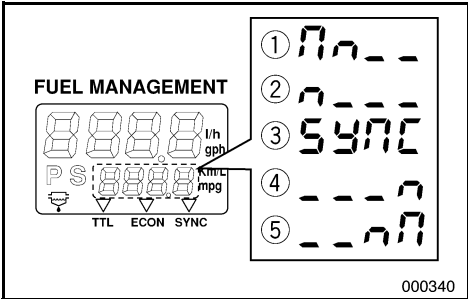
EMU01278

Twin Engine Speed Synchronizer

This meter displays the difference in engine speed (r/min) between the Port and Starboard engines for reference purposes when synchronizing the two engines' speeds. Repeatedly push and release the "mode" button until the indicator on the face of the meter points to "SYNC".

- ① Port side engine speed is higher
- ② Port side engine speed is slightly higher
- ③ Engine speed is synchronized evenly between Port and Starboard side engines
- ④ Starboard side engine speed is slightly higher
- ⑤ Starboard side engine speed is higher

NOTE: _____
 If the two engines' speeds are not synchronized while cruising, they can be synchronized by adjusting trim angle or throttle.

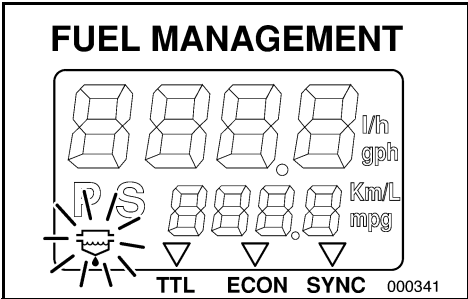


EMU01207

Water Separator Warning Indicator

If the water which has been separated from fuel in the water trap exceeds a specific volume, the indicator will blink showing the need for water to be drained.

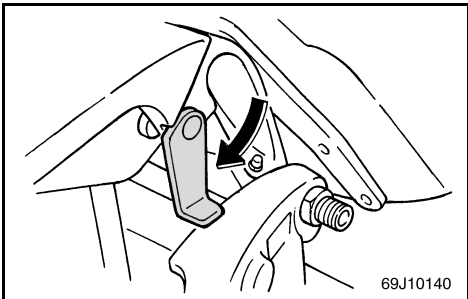
NOTE: _____
 This indicator only operates when a water separator sensor is equipped.

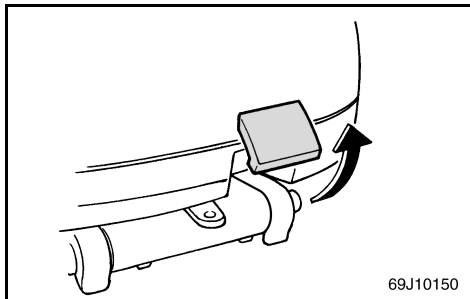


EMU00157

TILT SUPPORT LEVER

To keep the outboard motor in the tilted-up position, lock the tilt support lever to the clamp bracket.

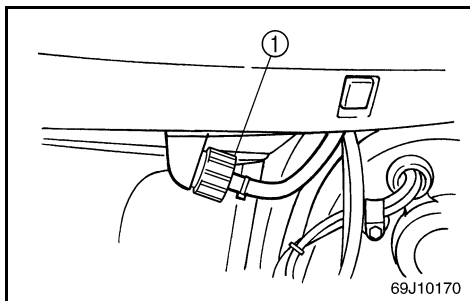
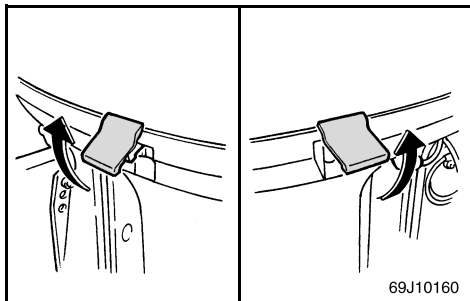




EMU01625

TOP COWLING LOCK LEVERS

To remove the engine top cowling, pull up the front and side lock levers. Then lift off the cowling. When replacing the cowling, check to be sure it fits properly in the rubber seal. Then lock the cowling again by moving the levers downward.



EMU01546

FLUSHING DEVICE

This device ① is used to clean the cooling water passages of the motor using a garden hose and tap water.

NOTE:

Refer to "CLEANING COOLING-WATER PASSAGES" in Chapter 4 for instructions on usage.

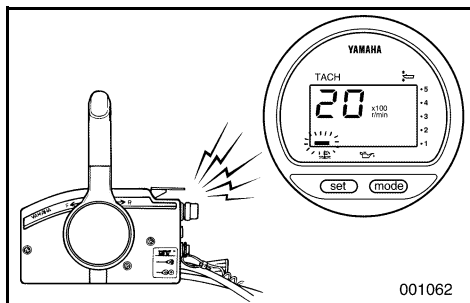


EMU00169

WARNING SYSTEM

CAUTION:

Do not continue to operate the engine if the warning device has activated. Consult your Yamaha dealer if the problem cannot be located and corrected.



EMU01664

OVERHEAT WARNING

This engine has an overheat warning device. If the engine temperature rises too high, the warning device will activate.

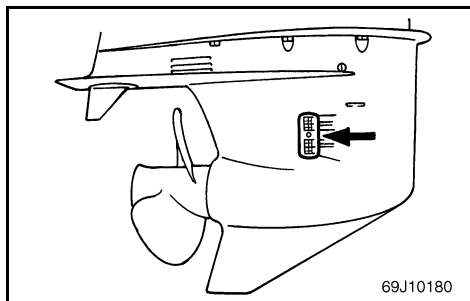
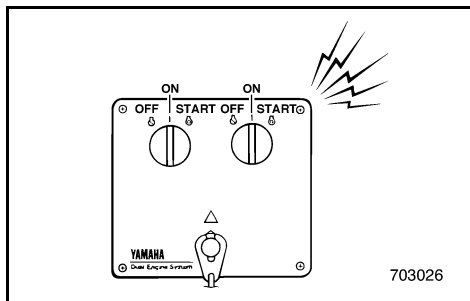
Activation of the warning device

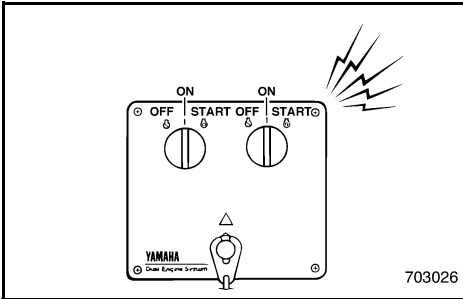
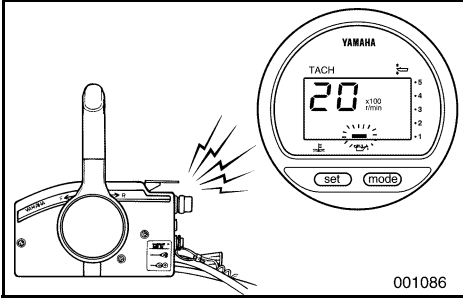
- The engine speed will automatically decrease to about 2,000 r/min.
- The overheat warning indicator will come on.
- The buzzer will sound.

If the warning system has been activated, stop the engine and check the water inlet for clogging.

NOTE:

In case of dual engine drive; Should the overheat warning system of one engine operate, it slows down and the buzzer sounds. This will cause the other engine to slow down and the buzzer to sound. For the other engine, the warning system can be released by shifting the remote control lever into the neutral.





EMU01665

LOW OIL PRESSURE WARNING

If oil pressure drops too low, the warning device will activate.

Activation of the warning device

- The engine speed will automatically decrease to about 2,000 r/min.
- The low oil pressure warning indicator will come on.
- The buzzer will sound.

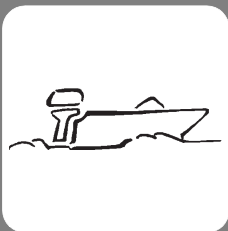
If the warning system has been activated, stop the engine as soon as it is safe to do so. Check oil level and add oil as needed. If the oil level is correct, consult your Yamaha dealer.

CAUTION:

Do not continue to run the engine if the low oil pressure lamp is "ON". Serious engine damage may occur.



-MEMO-



EMU00174

Chapter 3

OPERATION

INSTALLATION	3-1
BREAKING IN (RUNNING IN) ENGINE ...	3-2
PRE-OPERATION CHECKS	3-3
Checking the engine oil level.....	3-4
Filling fuel	3-4
STARTING ENGINE	3-5
Procedure for remote control model.....	3-6
WARMING UP ENGINE	3-8
CHECKING POINTS AFTER STARTING ENGINE	3-8
SHIFTING	3-9
Forward	3-9
Reverse	3-9
STOPPING ENGINE	3-10
TRIMMING OUTBOARD MOTOR	3-11
Adjusting trim angle.....	3-12
TILTING UP/DOWN	3-14
Procedure for tilting up.....	3-15
Procedure for tilting down	3-16
CRUISING IN OTHER CONDITIONS	3-17
Cruising in salt water.....	3-17

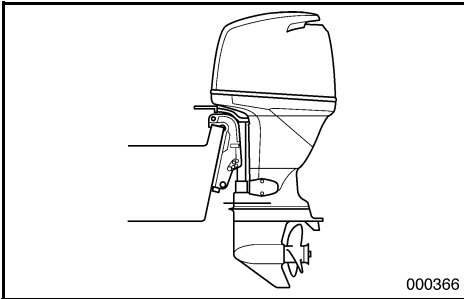


EMU00175

INSTALLATION

CAUTION: _____

Incorrect engine height or obstructions to smooth water flow (such as the design or condition of the boat or accessories such as transom ladders/depth finder transducers) can create airborne water spray while the boat is cruising. Severe engine damage may result if the motor is operated continuously in the presence of airborne water spray.



NOTE: _____

During water testing check the buoyancy of the boat, at rest, with its maximum load. Check that the static water level on the exhaust housing is low enough to prevent water entry into the powerhead, when water rises due to waves when the outboard is not running.



EMU00224

BREAKING IN (RUNNING IN) ENGINE

Your new engine requires a period of break-in (running-in) to allow mating surfaces of moving parts to wear-in evenly. Correct break-in (running-in) will help ensure proper performance and longer engine life.

CAUTION:

Failure to follow the break-in (running-in) procedure may result in reduced engine life or even severe engine damage.

Break-in (running-in) time: 10 hours

EMU01367

Run the engine under load (in gear with a propeller installed) as follows.

- 1) For the first hour of operation:
Run the engine at 2,000 r/min or at approximately half throttle.
- 2) For the second hour of operation:
Run the engine at 3,000 r/min or at approximately three-quarter throttle.
- 3) For the next eight hours of operation:
Avoid continuous operation at full throttle for more than five minutes at a time.
- 4) After the first 10 hours:
Operate the engine normally.



EMU00204

PRE-OPERATION CHECKS

⚠ WARNING

If any item in the pre-operation check is not working properly, have it inspected and repaired before operating the outboard motor. Otherwise, an accident could occur.

CAUTION:

Do not start the engine out of water. Overheating and serious engine damage can occur.

EMU01655

Fuel

- Check to be sure you have plenty of fuel for your trip.
- Make sure there are no fuel leaks or gasoline fumes.
- Check fuel line connections to be sure they are tight.
- Be sure that the fuel hose is not twisted or flattened, or likely to contact sharp objects.

EMU00208

Oil

- Check the level of the oil in the sump with the dipstick. If necessary, add oil to bring the level up to the upper mark.

EMU00209

Controls

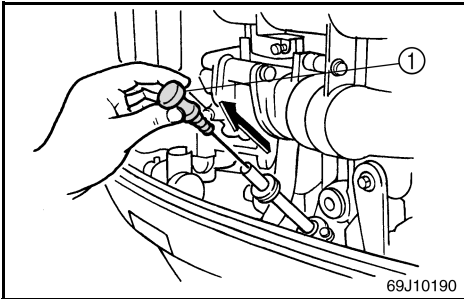
- Check throttle, shift, and steering for proper operation before starting the engine.
- The controls should work smoothly, without binding or unusual free play.
- Look for loose or damaged connections.
- Check operation of the starter and stop switches when the outboard motor is in the water.



EMU00211

Engine

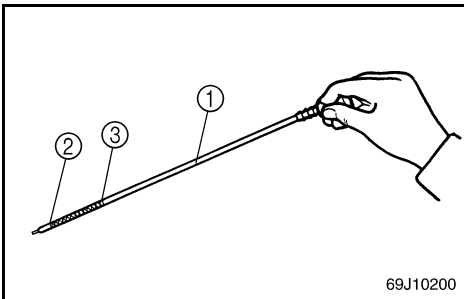
- Check the engine and engine mounting.
- Look for loose or damaged fasteners.
- Check the propeller for damage.
- Check that the battery is in good condition and battery connections are secure.



EMU01436

CHECKING THE ENGINE OIL LEVEL

- 1) Put the outboard motor in an upright position (not tilted).
- 2) Pull out the oil dipstick and wipe it clean.
- 3) Completely re-insert the dipstick and pull out it again.
- 4) Check the oil level using the dipstick to be sure the level falls between the upper and lower marks. Fill with oil if it is below the lower mark, or drain to the specified level if it is above the upper mark.



- ① Oil dipstick
- ② Lower level mark
- ③ Upper level mark

EMU01031

FILLING FUEL

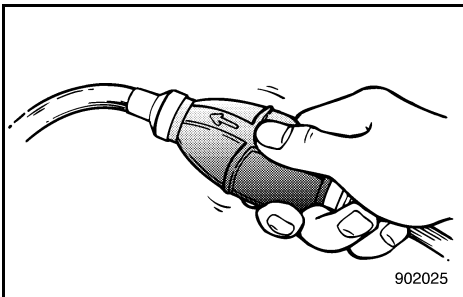
- 1) Remove the fuel tank cap.
- 2) Fill the fuel tank carefully.
- 3) Close the cap securely after refueling. Wipe up any spilled fuel.



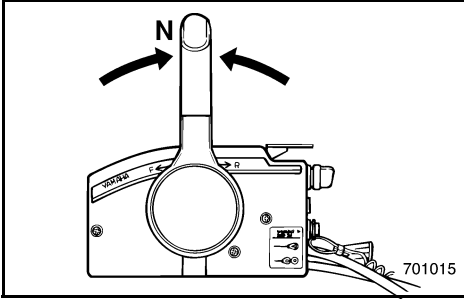
STARTING ENGINE

⚠ WARNING

- Before starting the engine, make sure that the boat is tightly moored and that you can steer clear of any obstructions. Be sure there are no swimmers in the water near you.
- When the air vent screw is loosened, gasoline (petrol) vapor will be released. Gasoline (petrol) is highly flammable, and its vapors are flammable and explosive. Refrain from smoking, and keep away from open flames and sparks while loosening the air vent screw.
- This product emits exhaust gases which contain carbon monoxide, a colorless, odorless gas which may cause brain damage or death when inhaled. Symptoms include nausea, dizziness, and drowsiness. Keep cockpit and cabin areas well ventilated. Avoid blocking exhaust outlets.



- 1) If there is an air vent screw on the fuel tank cap, loosen it 2 or 3 turns.
- 2) If there is a fuel joint or a fuel cock on the boat, firmly connect the fuel line to the joint or open the fuel cock.
- 3) Squeeze the primer bulb with the outlet end up until you feel it become firm.



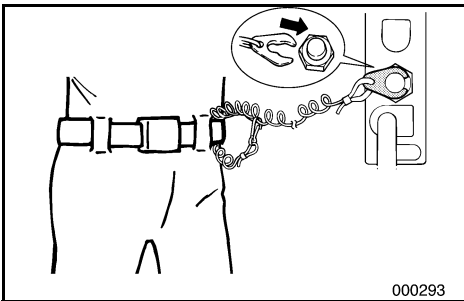
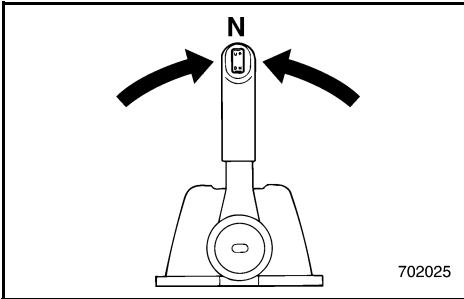
EMU00248

PROCEDURE FOR REMOTE CONTROL MODEL

- 4) Place the remote control lever in the Neutral position.

NOTE:

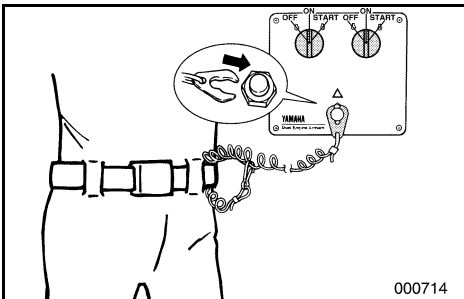
The start-in-gear protection device permits the engine to be started only when it is in Neutral.



- 5) Attach the engine stop switch lanyard to a secure place on your clothing, or your arm or leg. Then, install the lock plate on the other end of the lanyard in the engine stop switch.

⚠ WARNING

- Attach the engine stop switch lanyard to a secure place on your clothing, your arm or leg while operating.
- Do not attach the lanyard to clothing that could tear loose. Do not route the lanyard where it could become entangled, preventing it from functioning.
- Avoid accidentally pulling the lanyard during normal operation. Loss of engine power means the loss of most steering control. Also, without engine power, the boat could slow rapidly. This could cause people and objects in the boat to be thrown forward.

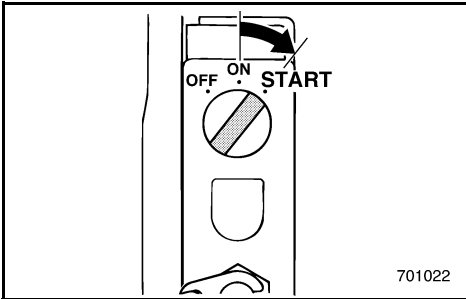




6) Turn the main switch to “ON”.

NOTE: _____

In case of dual-engine operation, when the main switch is turned on, the buzzer operates for a few seconds and stops automatically. Should either of the dual engines stall, the buzzer operates.



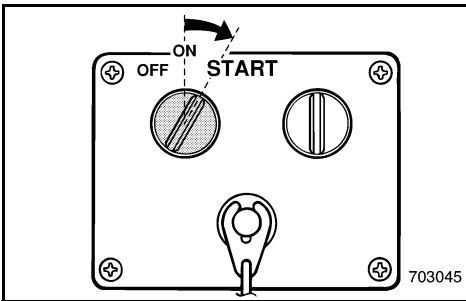
EMU00949

Electric Start Model

- 7) Turn the main switch to “START”, and hold it for a maximum of 5 seconds.
- 8) Immediately after the engine starts, release the main switch to return it to “ON”.

CAUTION: _____

- Do not turn the main switch to “START” when the engine is running.
 - Do not keep the starter-motor turning for more than 5 seconds. The battery will rapidly become exhausted and it will be impossible for it to start the engine. If the engine does not start within 5 seconds, return the main switch to “ON”, wait 10 seconds, and then crank the engine again.
-





EMU01198

WARMING UP ENGINE

- 1) Before beginning operation, allow the engine to warm up at idling speed for 3 minutes. (Failure to do this will shorten engine life.)

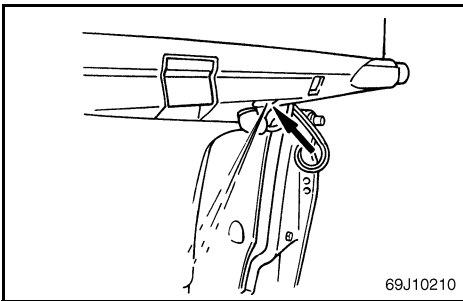
EMU01656

CHECKING POINTS AFTER STARTING ENGINE

- After the engine has warmed up, check that the engine idling speed is stable.
- Check that the low oil pressure warning indicator light is off. (Refer to “WARNING SYSTEM” section.)
- Check for a steady flow of water from the cooling-water pilot hole.

CAUTION:

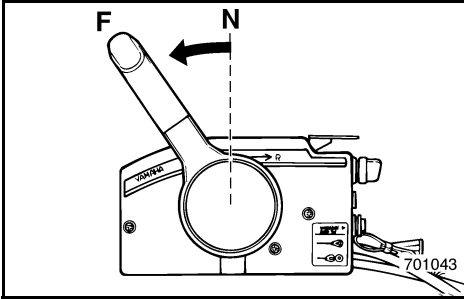
- If water is not flowing out of the pilot hole at all times while the engine is running, do not continue to run the engine. Overheating and serious damage could occur. Stop the engine and check if the water inlet on the lower casing is blocked. If the problem cannot be found and corrected, consult your Yamaha dealer.
- If the cooling passage is frozen, it may take awhile for water to start flowing out of the pilot hole.





EMU00261

SHIFTING

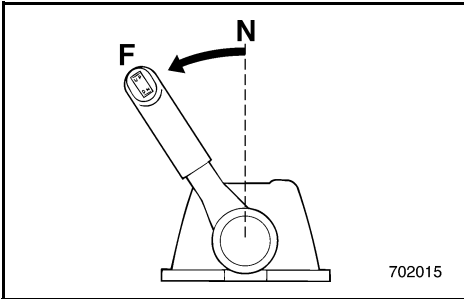


⚠ WARNING

Before shifting, make sure there are no swimmers or obstacles in the water near you.

CAUTION:

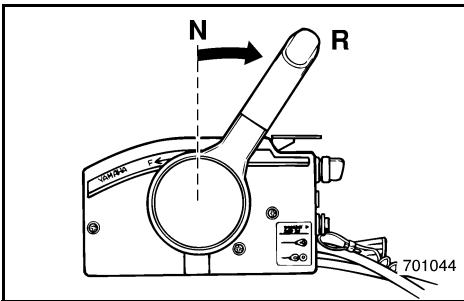
To change the shifting position from forward to reverse or vice-versa, close the throttle first so that the engine idles (or runs at low speeds).



EMU00264

FORWARD

Pull up the neutral interlock trigger (if equipped) and move the remote control lever quickly and firmly from Neutral to Forward.

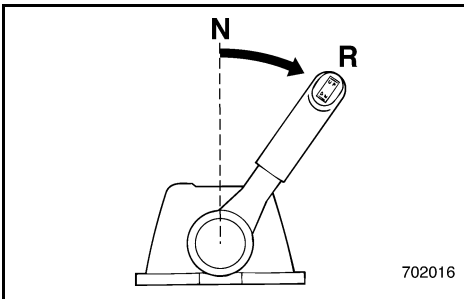


EMU00269

REVERSE

⚠ WARNING

When operating in Reverse, go slowly. Do not open the throttle more than half. Otherwise, the boat may become unstable, which could result in loss of control and an accident.



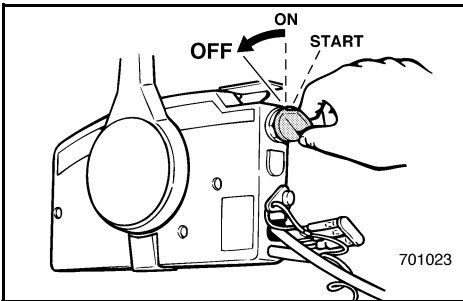
Pull up the neutral interlock trigger (if equipped) and move the remote control lever quickly and firmly from Neutral to Reverse.



EMU00273

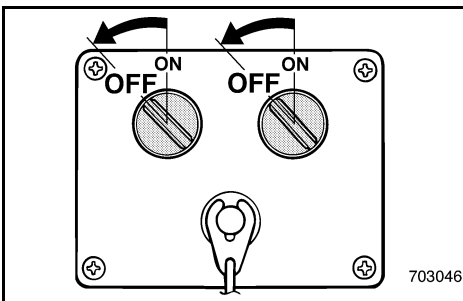
STOPPING ENGINE

Let it cool off for a few minutes at idle or low speed first. Stopping the engine immediately after operating at high speed is not recommended.



EMU01199*

- 1) Turn the main switch to "OFF".
- 2) If there is a fuel joint or a fuel cock on the boat, disconnect the fuel line or close the fuel cock after stopping the engine.
- 3) Tighten the air vent screw on the fuel tank cap after stopping the engine, if it is equipped.
- 4) Remove the key if the boat will be left unattended.

**NOTE:**

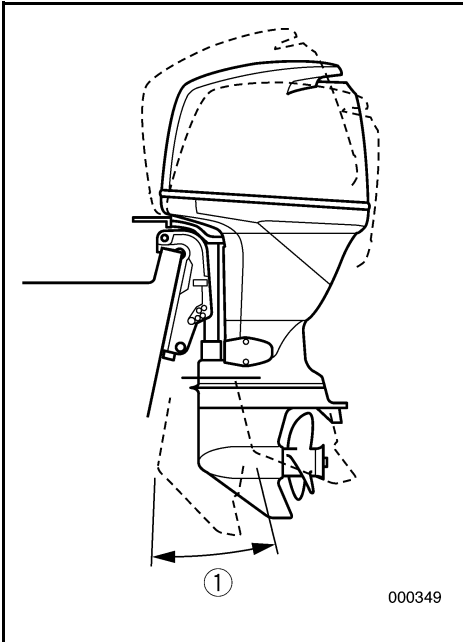
The engine can also be stopped by pulling the lanyard and removing the lock plate from the engine stop lanyard switch (then turning the main switch to "OFF").



EMU01412

TRIMMING OUTBOARD MOTOR

The trim angle of the outboard motor helps determine the position of the bow of the boat in the water. The correct trim angle will help improve performance and fuel economy while reducing strain on the engine. The correct trim angle depends upon the combination of boat, engine, and propeller. Correct trim is also affected by variables such as the load in the boat, sea conditions, and running speed.



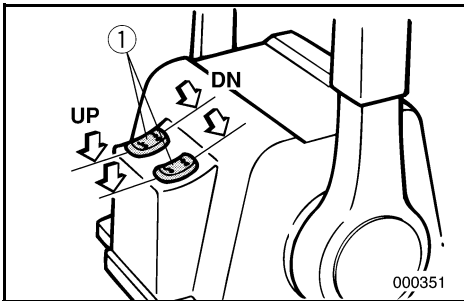
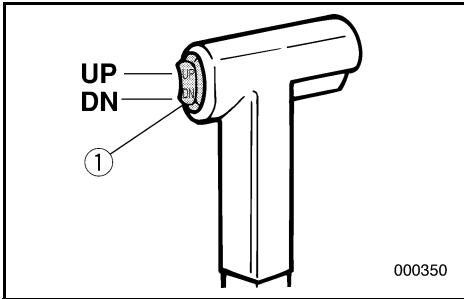
⚠ WARNING

Excessive trim for the operating conditions (either trim up or trim down) can cause boat instability and can make steering the boat more difficult. This increases the possibility of an accident. If the boat begins to feel unstable or is hard to steer, slow down and/or readjust the trim angle.

NOTE:

Refer to the section "ADJUSTING TRIM ANGLE" for instructions on usage.

① Trim operating angle



ADJUSTING TRIM ANGLE

EMU01657

Power Trim/Tilt Model

⚠ WARNING

- Be sure all people are clear of the outboard motor when adjusting the trim/tilt angle, also be careful not to pinch any body parts between the drive unit and clamp bracket.
- Use caution when trying a trim position for the first time. Increase speed gradually and watch for any signs of instability or control problems.
- Use the power trim/tilt switch located on the bottom engine cowling (if equipped) only when the boat is at a complete stop with the engine off.

The outboard motor trim angle can be adjusted operating the power trim/tilt switch

①.

To raise the bow ("trim-out"), push the switch UP.

To lower the bow ("trim-in"), push the switch DN.

Make test runs with the trim set to different angles to find the position that works best for your boat and operating conditions.

NOTE:

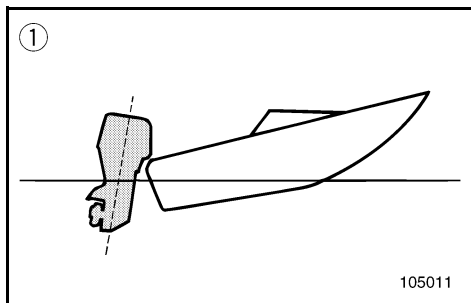
To adjust the trim angle while the boat is moving, use the power trim and tilt switch located on the remote control box.



EMU01558

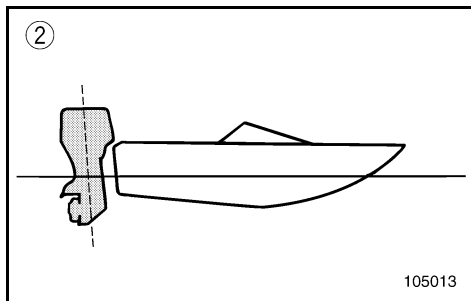
Bow Up

When the boat is on plane, a bow-up attitude results in less drag, greater stability and efficiency. This is generally when the keel line of the boat is up about 3 to 5 degrees. When trimmed out, the boat may have more tendency to steer to one side or the other. Compensate for this as you steer. The trim tab can also be adjusted to help offset this effect.



Too much trim-out puts the bow of the boat too high in the water. Performance and economy are decreased because the hull of the boat is pushing the water and there is more air drag.

Excessive trim-up can cause the propeller to ventilate, which reduces performance further. When trimmed-out too much, a boat may “porpoise” (hop in the water), which could throw the operator and passengers overboard.



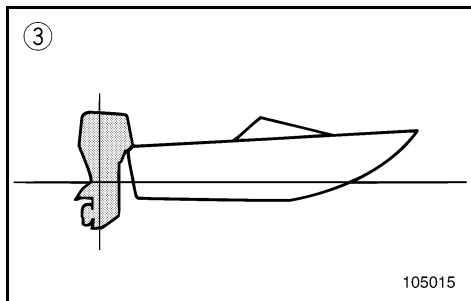
EMU01559

Bow Down

When the bow of the boat is down, it is easier to accelerate from a standing start onto plane.

Too much trim-in causes the boat to “plow” through the water, decreasing fuel economy and making it hard to increase speed.

Operating with excessive trim-in at higher speeds also makes the boat unstable. Resistance at the bow is greatly increased, heightening the danger of “bow steering” and making operation difficult and dangerous.

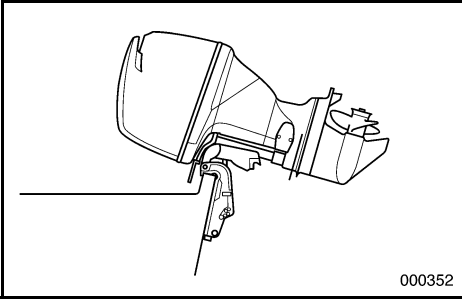


- ① Bow up
- ② Bow down
- ③ Optimum angle



EMU01670

TILTING UP/DOWN



If the engine will be stopped for some time, or if the boat is moored in shallows, the engine should be tilted up to protect the propeller and casing from damage by collision with obstructions, and also to reduce salt corrosion.

⚠ WARNING

- Be sure all people are clear of the outboard motor when adjusting the tilt angle, also be careful not to pinch any body parts between the drive unit and engine bracket.
- Leaking fuel is a fire hazard. Disconnect the fuel line or close the fuel cock if the engine will be tilted for more than a few minutes. Otherwise, fuel may leak. (If the fuel connector is provided on the motor.)

CAUTION:

- Before tilting the motor, follow the procedures under “STOPPING ENGINE”. Never tilt the motor while the engine is running. Severe damage from overheating can result.
- To prevent the cooling water passages from becoming frozen when the ambient temperature is 5°C or below, tilt up the motor after it has been stopped 30 seconds or more.

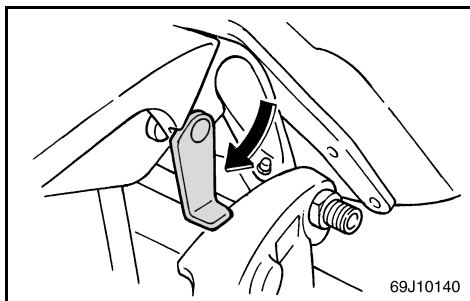
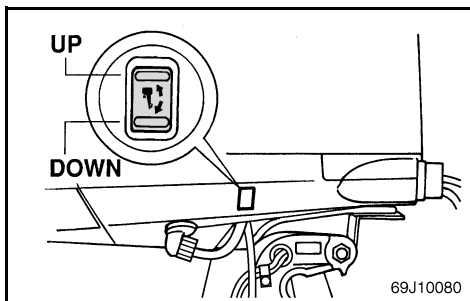
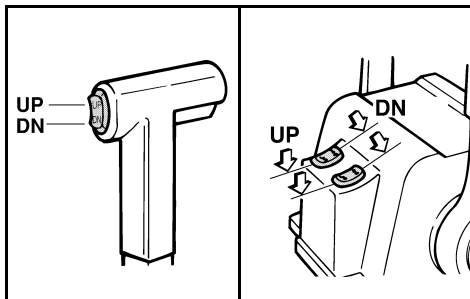


EMU01575

PROCEDURE FOR TILTING UP

Power trim and tilt models

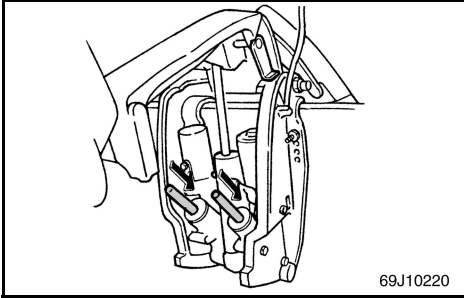
- 1) Disconnect the fuel line or close the fuel cock.
- 2) Push the power trim and tilt switch "UP" until the outboard has tilted up completely.



- 3) Turn the tilt support lever toward you to support the engine.

⚠ WARNING

- After tilting the engine, be sure to support it with the tilt support lever. Otherwise, the engine could fall back down suddenly if oil in the power trim and tilt unit should lose pressure.
- Never operate the engine while it is supported by the tilt support lever.

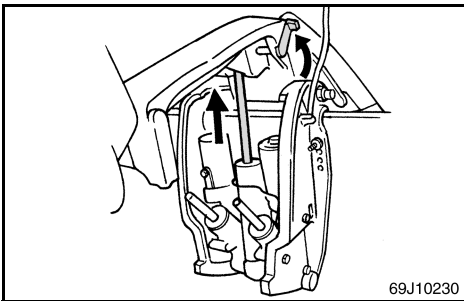


EMU01576

- 4) Once the engine is supported with the tilt support lever, push the power trim and tilt switch "DN" (down) to retract the trim rods.

CAUTION:

Be sure to retract the trim rods completely during mooring. This protects the rods from marine growths and corrosion which could damage the power trim and tilt mechanism.



EMU00303

PROCEDURE FOR TILTING DOWN**Power trim/tilt model**

- 1) Push the power trim/tilt switch "UP" until the engine is supported by the tilt rod.
- 2) Release the tilt-support lever.
- 3) Push the power trim/tilt switch "DN" (Down) to lower the engine to the desired position.



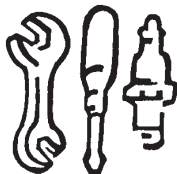
EMU01030

CRUISING IN OTHER CONDITIONS

CRUISING IN SALT WATER

After operating in salt water, wash out the cooling-water passages with fresh water to prevent them from becoming clogged-up with salt deposits.

NOTE: _____
Refer to cooling system flushing instructions in “TRANSPORTING AND STORING OUT-BOARD MOTOR”.



EMU00317

Chapter 4

MAINTENANCE

SPECIFICATION DATA 4-1

TRANSPORTING AND STORING

OUTBOARD MOTOR 4-3

Trailing outboard motor 4-3

Storing outboard motor 4-4

PERIODIC MAINTENANCE 4-10

Replacement parts 4-10

Maintenance chart 4-11

Greasing 4-13

Cleaning and adjusting spark plug 4-14

Checking fuel system 4-16

Inspecting fuel filter 4-17

Changing engine oil 4-19

Replacing fuse 4-22

Checking wiring and connectors 4-23

Exhaust leakage 4-23

Water leakage 4-23

Engine oil leakage 4-23

Checking power trim and tilt system 4-24

Checking propeller 4-25

Changing gear oil 4-27

Inspecting and replacing anode(s) 4-28

Checking battery
(for electric start models) 4-29

Checking bolts and nuts 4-32

Cleaning cooling-water passages 4-33

Checking top cowling 4-34

Motor exterior 4-34

Coating the boat bottom 4-34





EMU00322

SPECIFICATION DATA

Item	Model	Unit	F225TRA
DIMENSIONS			
Overall Length		mm (in.)	892 (35.12)
Overall Width		mm (in.)	634 (24.96)
Overall Height	X/U	mm (in.)	1,805 (71.06)/1,932 (76.06)
Transom height	X/U	mm (in.)	643 (25.31)/770 (30.31)
Weight	X/U	kg (lb.)	272 (600)/278 (613)
PERFORMANCE			
Full throttle operating range		r/min	5,000 ~ 6,000
Maximum output		kW (HP) @ r/min	165.5 (225) @ 5,500
Idling speed (Neutral)		r/min	650 ~ 750
ENGINE			
Type			4-stroke, DOHC, V6
Displacement		cm ³ (cu.in.)	3,352 (204.54)
Bore × stroke		mm (in.)	94.0 × 80.5 (3.70 × 3.17)
Ignition system			TCI
Spark plug		NGK	LFR5A-11
Spark plug gap		mm (in.)	1.0 ~ 1.1 (0.039 ~ 0.043)
Control system			Remote control
Starting system			Electric start
Valve clearance (cold engine)	IN	mm (in.)	0.17 ~ 0.23 (0.007 ~ 0.009)
	EX	mm (in.)	0.31 ~ 0.37 (0.012 ~ 0.015)
Battery capacity		V-AH	12-100
Minimum cold crank performance		Amps at -17.8 °C (0 °F)	512
Minimum reserve capacity		Minutes at 26.7 °C (80 °F)	182
Alternator output		V-A (W)	12-45
Starting carburation system			Electronic fuel injection
DRIVE UNIT			
Gear positions			Forward-Neutral-Reverse
Gear ratio			2.00 (30/15)
Trim/tilt system			Power trim & tilt
Propeller mark			T/M
FUEL AND OIL			
Recommended fuel			Regular unleaded gasoline (Minimum 86)
Fuel tank capacity		P.O.N. l (US gal, Imp qt)	—
Recommended engine oil		API	4-stroke motor oil
		SAE	SE, SF, SG, SH, SJ
Engine oil capacity		l (US qt, Imp qt)	10W-30, 10W-40
Recommended gear oil			6.0 (6.34, 5.3)
Gear oil capacity		cm ³ (US oz, Imp oz)	Hypoid gear oil (SAE 90)
			1,150 (38.88, 40.56)
TIGHTENING TORQUE			
Spark plug		N·m (kgf·m, lb·ft)	25 (2.5, 18)
Propeller nut		N·m (kgf·m, lb·ft)	54 (5.4, 39)
Engine oil drain bolt		N·m (kgf·m, lb·ft)	27 (2.7, 20)
Engine oil filter		N·m (kgf·m, lb·ft)	18 (1.8, 13)



LF225TRA	—	—
892 (35.12) 634 (24.96) 1,805 (71.06)/1,932 (76.06) 643 (25.31)/770 (30.31) 272 (600)/278 (613)		
5,000 ~ 6,000 165.5 (225)@5,500 650 ~ 750		
4-stroke, DOHC, V6 3,352 (204.54) 94.0 × 80.5 (3.70 × 3.17) TCI LFR5A-11 1.0 ~ 1.1 (0.039 ~ 0.043) Remote control Electric start 0.17 ~ 0.23 (0.007 ~ 0.009) 0.31 ~ 0.37 (0.012 ~ 0.015) 12-100 512 182 12-45 Electronic fuel injection		
Forward-Neutral-Reverse 2.00 (30/15) Power trim & tilt TL/ML		
Regular unleaded gasoline (Minimum 86) — 4-stroke motor oil SE, SF, SG, SH, SJ 10W-30, 10W-40 6.0 (6.34, 5.3) Hypoid gear oil (SAE 90) 1,000 (33.81, 35.27)		
25 (2.5, 18) 54 (5.4, 39) 27 (2.7, 20) 18 (1.8, 13)		



EMU01369

TRANSPORTING AND STORING OUTBOARD MOTOR

⚠ WARNING

Leaking fuel is a fire hazard. When transporting and storing the outboard motor, close the air vent screw and fuel cock to prevent fuel from leaking.

EMU00326

TRAILERING OUTBOARD MOTOR

The motor should be trailered and stored in the normal running position. If there is insufficient road clearance in this position, then trailer the motor in the tilt position using a motor support device such as a transom saver bar.

For further details, consult your Yamaha dealer.

⚠ WARNING

- **Never get under the lower unit while it is tilted, even if a motor support bar is used. Severe injury could occur if the outboard accidentally falls.**
- **DO NOT fill fuel container to maximum capacity. Gasoline will expand considerably as it warms up and can build up pressure in the fuel container. This can cause fuel leakage and a potential fire hazard.**

CAUTION:

Do not use the tilt support lever/knob when trailering the boat. The outboard motor could shake loose from the tilt support and fall. If the motor can not be trailered in the down position, use an additional support device to secure it in the up position.



EMU01259*

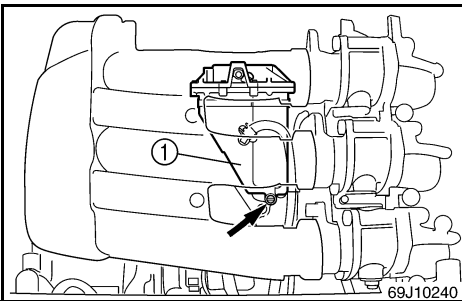
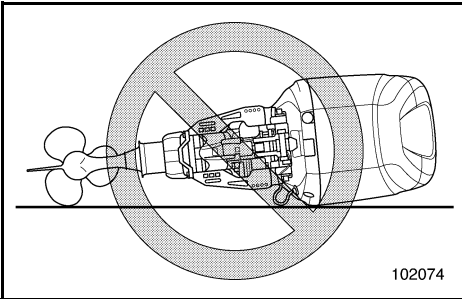
STORING OUTBOARD MOTOR

When storing your outboard motor for prolonged periods of time (2 months or longer), several important procedures must be performed to prevent expensive damage.

It is advisable to have your outboard serviced by an authorized Yamaha dealer prior to storage. However, the following procedures can be performed by the owner with a minimum of tools.

CAUTION:

- To prevent problems which can be caused by oil entering the cylinder from the sump, keep the engine in the vertical position when transporting and storing it.
- Do not place the engine on its side before the cooling water has drained from it completely, or water may enter the cylinder through the exhaust port and cause problems.
- Store the engine in a dry, well-ventilated place, not in direct sunlight.
- Drain the remaining gasoline from the vapor separator. Gasoline left in the vapor separator ① for a prolonged period of time will break down and possibly cause damage to the fuel line.





EMU00335

Filling Fuel Tank

Fill the fuel tank with fresh fuel and add one ounce of “Yamaha Fuel Conditioner and Stabilizer” (Part No. LUB-FUELC-12-00) to each gallon of fuel.

NOTE:

The use of “Yamaha Fuel Conditioner and Stabilizer” eliminates the need to drain the fuel system. Consult your Yamaha dealer or other qualified mechanic if the fuel system is to be drained instead.

EMU00338

Flushing Cooling System and Fogging Engine

Cooling system flushing is essential to prevent the cooling system from clogging up with salt, sand, or dirt. In addition, fogging of the engine is mandatory to prevent expensive engine damage due to rust. Perform the flushing and fogging at the same time.

⚠ WARNING

- Do not touch or remove electrical parts when starting or during operation.
- Keep hands, hair and clothes away from flywheel and other rotating parts while engine is running.

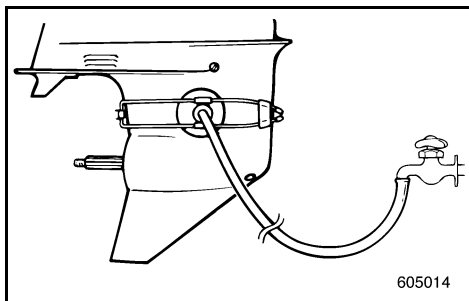
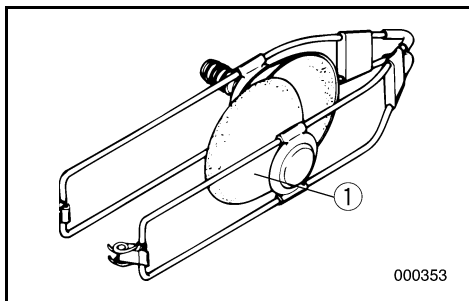
EMU00342

- Flushing with the Flushing Attachment

CAUTION:

Avoid running the outboard at high speed while on the flushing attachment, or overheating could occur.

- 1) Remove the top cowling and the propeller.
- 2) Install a flushing attachment ① to the cooling water inlet.





- 3) Run the engine at a fast idle for 10~15 minutes supplying fresh water.
- 4) Just prior to turning off the engine, quickly spray “Yamaha Stor-Rite Engine Fogging Oil” (Part No. LUB-STRRT-12-00) alternately into the silencer cover. When properly done, the engine will smoke excessively and almost stall.
- 5) Remove the flushing attachment and wipe off any excess water.
- 6) Install the top cowling and the propeller.

NOTE:

A flushing attachment is available from a Yamaha dealer.

EMU00349

Lubrication

- 1) Remove the spark plug(s). Spray a Yamaha “Stor-Rite Engine Fogging Oil” into each cylinder for 10 seconds. Grease the spark plug threads and reinstall the spark plug(s) and torque to proper specification. (Refer to the “CLEANING AND ADJUSTING SPARK PLUG”).
- 2) Turn the engine over with the stop lanyard disconnected to work the fogging oil into the piston rings.
- 3) Change the gear-case oil. (Refer to “CHANGING GEAR OIL”). Inspect the oil for the presence of water which indicates a leaky seal. Seal replacement should be performed by an authorized Yamaha dealership prior to use.
- 4) Grease all grease fittings. (Refer to the “GREASING”)



EMU00352

Cleaning and Anti-corrosion Measure

- 1) Wash down the exterior of the outboard with fresh water and dry off completely.
- 2) Spray the engine's exterior with "Yamaha Silicone Protectant" (Part No. LUB-SILCNE-13-00).

CAUTION: _____

Do not spray when the engine is running. Also, do not spray near the silencer and oxygen sensor cover or into the engine. Otherwise, the oxygen sensor for Electronic Fuel Injection system could be damaged.

- 3) Wax the cowling with a non-abrasive wax such as "Yamaha Silicone Wax" (Part No. ACC-11000-15-02).



EMU01545

Battery Care

⚠ WARNING

Battery electrolyte is poisonous and dangerous, causing severe burns, etc. It contains sulfuric acid. Avoid contact with skin, eyes, or clothing.

Antidote:

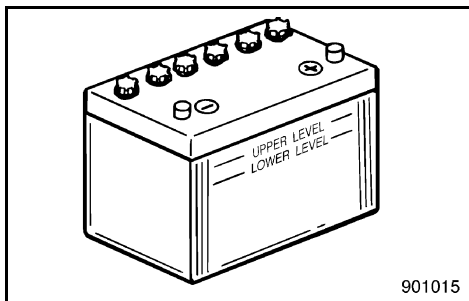
EXTERNAL: Flush with water.

INTERNAL: Drink large quantities of water or milk. Follow with milk of magnesia, beaten egg, or vegetable oil. Call physician immediately.

EYES: Flush with water for 15 minutes and get prompt medical attention.

Batteries produce explosive gases: Keep sparks, flame, cigarettes, etc. away. Ventilate when charging or using in a closed space. Always wear eye protection when working near batteries.

KEEP OUT OF REACH OF CHILDREN.



Batteries vary among manufacturers. Therefore the following procedures may not always apply. Consult your battery manufacturer's instructions.

- 1) Disconnect and remove the battery from the boat. Always disconnect the black negative lead first to prevent the risk of shorting.
- 2) Clean the battery casing and terminals. Fill each cell to the upper level with distilled water.
- 3) Store the battery on a level surface in a cool, dry, well-ventilated place out of direct sunlight.
- 4) Once a month, check the specific gravity of the electrolyte and recharge as required to prolong battery life.



-MEMO-



EMU01569

PERIODIC MAINTENANCE

⚠ WARNING

Be sure to turn off the engine when you perform maintenance unless otherwise specified. If the owner is not familiar with machine servicing, this work should be done by a Yamaha dealer or other qualified mechanic.

Maintenance, replacement, or repair of the emission control devices and systems may be performed by any marine engine repair establishment or individual. All warranty repairs, however, including those to the emission control system, must be performed by an authorized Yamaha marine dealership.

A service manual is available for purchase through a Yamaha dealer for owners who have the mechanical skills, tools, and other equipment necessary to perform maintenance not covered by this owner's manual.

EMU00356

REPLACEMENT PARTS

If replacement parts are necessary, use only genuine Yamaha parts or equivalents of the same type and of equivalent strength and materials. Any part of inferior quality may malfunction, and the resulting loss of control could endanger the operator and passengers.

Yamaha genuine parts and accessories are available from a Yamaha dealer.



EMU01673

MAINTENANCE CHART

Frequency of maintenance operations may be adjusted according to the operating conditions, but the following table gives general guidelines.

The mark (●) indicates the check-ups which you may carry out yourself.

Item	Interval Remarks	Initial		Every			Refer page
		10 hours (after break-in)	50 hours (3 months)	100 hours (6 months)	200 hours (1 year)	400 hours (2 years)	
Cowling	Inspection	● (before each use)					4-34
Fuel system	Inspection	● (before each use)					4-16
Fuel filter (Water separator)	Inspection	● (before each use)					4-17
	Cleaning	●		●			
Fuel tank *1	Inspection				●		—
Engine oil	Inspection	● (before each use)					4-19
	Change	●		●			
Outboard motor exterior	Inspection	● (before each use)					4-34
Gear oil	Change	●		●			4-27
Propeller	Inspection	● (before each use)					4-25
Cooling water passages *2	Flushing	● (after each use)					4-5, 4-33
Spark plugs	Cleaning/Adjustment/ Replacement	●			●		4-14
Greasing points	Greasing			●			4-13

*1. If a portable fuel tank is equipped.

*2. When operating in salt water, turbid or muddy water, the engine should be flushed with clean water after each use.



The mark (○) indicates work to be carried out by your Yamaha dealer.

Item	Interval Remarks	Initial		Every			Refer page
		10 hours (after break-in)	50 hours (3 months)	100 hours (6 months)	200 hours (1 year)	400 hours (2 years)	
Ignition timing	Inspection	○					—
Oil filter	Change				○		—
Fuel filter (Disposable type)	Inspection/Replacement	○		○			—
Oil pump	Inspection					○	—
Timing chain	Inspection/Replacement			○ (1,000 hours or 5 years)			—
Chain tensioner	Inspection/Replacement					○	—
Timing belt *3	Inspection/Replacement				○		—
Valve clearance	Inspection/Adjustment					○	—
Thermostat	Inspection				○		—
PCV (Pressure Control Valve)	Inspection				○		—
Oil leakage	Inspection/Replacement	○	○	○			4-23
Flywheel nut	Inspection	○					4-32
Throttle link	Inspection/Adjustment				○		—
Throttle cable	Inspection/Adjustment				○		—
Shift cable	Inspection/Adjustment				○		—
Idling speed	Inspection/Adjustment	○			○		—
Impeller/Woodruff key	Inspection/Replacement			○ (500 hours or 30 months)			—
Oil seal	Inspection/Replacement			○			—
Power trim and tilt unit	Inspection				○		4-24
Anodes/Trim tab	Inspection/Replacement				○		4-28
Battery	Inspection/Charge				○		4-29
Wiring & connectors	Adjustment/Connection	○			○		4-23
Bolts & nuts *4	Retightening	○			○		4-32

*3. Be sure to replace the timing belt after every 1,000 hours (5 years) of operation.

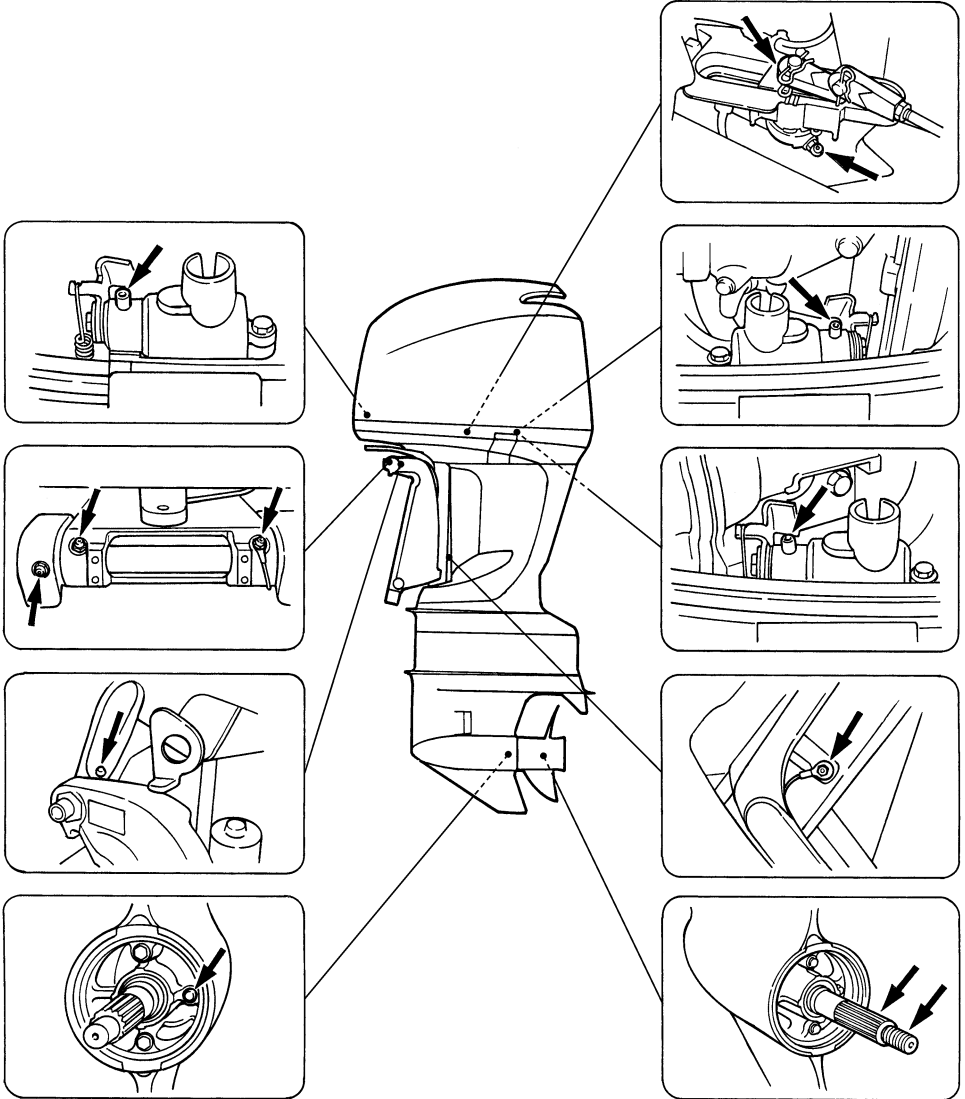
*4. Do not retighten the cylinder head and crankcase bolts.



EMU00366

GREASING

Yamaha marine grease
(Water resistant grease)



69J10250



EMU01035

CLEANING AND ADJUSTING SPARK PLUG

⚠ WARNING

When removing or installing a spark plug, be careful not to damage the insulator. A damaged insulator could allow external sparks, which could lead to explosion or fire.

The spark plug is an important engine component and is easy to inspect. The condition of the spark plug can indicate something about the condition of the engine. For example, if the center electrode porcelain is very white, this could indicate an intake air leak or carburetion problem in that cylinder. Do not attempt to diagnose any problems yourself. Instead, take the outboard motor to a Yamaha dealer. You should periodically remove and inspect the spark plug because heat and deposits will cause the spark plug to slowly break down and erode. If electrode erosion becomes excessive, or if carbon and other deposits are excessive, you should replace the spark plug with another of the correct type.

Standard spark plug:
Refer to "SPECIFICATIONS", page 4-1.

Before fitting the spark plug, measure the electrode gap with a wire thickness gauge; adjust the gap to specification if necessary.

Spark plug gap:
Refer to "SPECIFICATIONS", page 4-1.

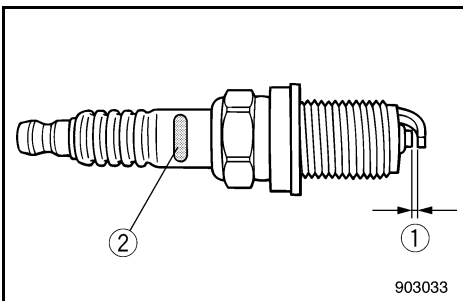


When fitting the plug, always clean the gasket surface and use a new gasket. Wipe off any dirt from the threads and screw in the spark plug to the correct torque.

Spark plug torque:
Refer to "SPECIFICATIONS", page 4-1.

NOTE: _____
If a torque-wrench is not available when you are fitting a spark plug, a good estimate of the correct torque is 1/4 to 1/2 a turn past finger-tight. Have the spark plug adjusted to the correct torque as soon as possible with a torque-wrench.

Initial of spark plug I.D. mark	Plug wrench size
B	21 mm (13/16 in.)
C, L	16 mm (5/8 in.)
D	18.3 mm (23/32 in.)



- ① Spark plug gap
- ② Spark plug I.D. mark (NGK)



EMU01509

CHECKING FUEL SYSTEM

⚠ WARNING

Gasoline (petrol) and its vapors are highly flammable and explosive. Keep away from sparks, cigarettes, flames or other sources of ignition.

Check the fuel line for leaks, cracks, or malfunctions. If any problem is found, it should be repaired immediately by Yamaha dealer or other qualified mechanic.

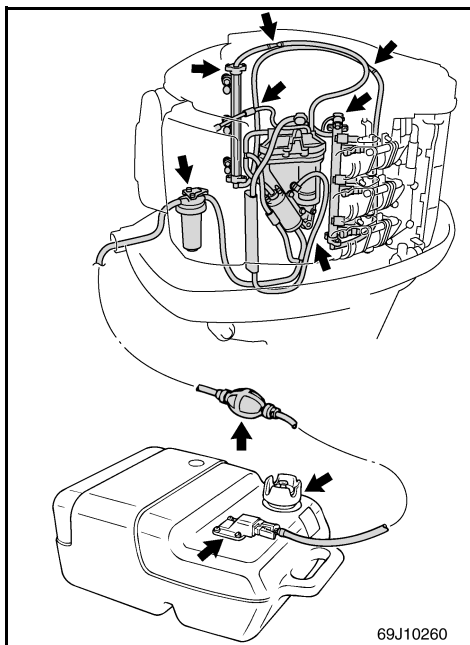
Checkpoints

- Fuel system parts leakage.
- Fuel hose joint leakage.
- Fuel hose cracks or other damage.
- Fuel connector leakage.

⚠ WARNING

Leaking fuel can result in fire or explosion.

- Check for fuel leakage regularly.
- If any fuel leakage is found, the fuel system must be repaired by a qualified mechanic. Improper repairs can make the outboard unsafe to operate.





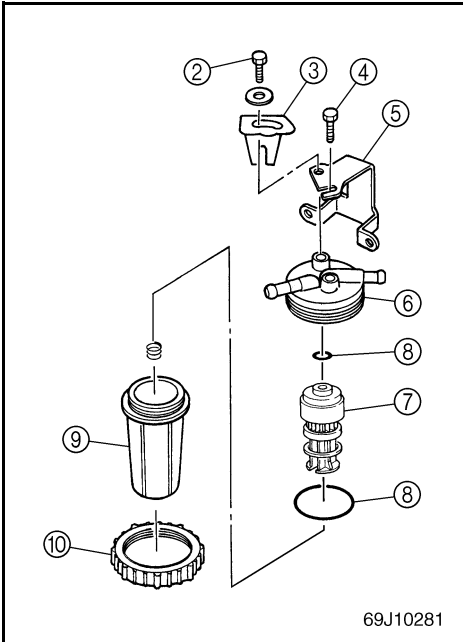
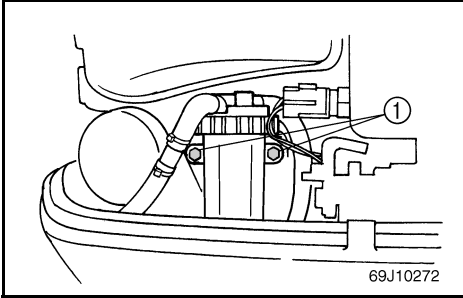
EMU00370

INSPECTING FUEL FILTER

⚠ WARNING

Gasoline (petrol) is highly flammable, and its vapors are flammable and explosive.

- If you have any question about properly doing this procedure, consult your Yamaha dealer.
- Do not perform this procedure on a hot or running engine. Allow the engine to cool.
- There will be fuel in the fuel filter. Keep away from sparks, cigarettes, flames or other sources of ignition.
- This procedure will allow some fuel to spill. Catch fuel in a rag. Wipe up any spilled fuel immediately.
- The fuel filter must be reassembled carefully with O-ring, filter cup, and hoses in place. Improper assembly or replacement can result in a fuel leak, which could result in a fire or explosion hazard.



EMU01676

Cleaning Fuel Filter

- 1) Remove the bolts ① that are securing the fuel filter bracket ⑤ in place.
- 2) Loosen the bolt ② that retains the lock tab ③, and remove the lock tab.
- 3) Loosen the bolt ④ that secures the fuel filter in place.
- 4) Loosen the ring nut ⑩ of the filter cup ⑨.
- 5) Remove the filter cup, catching any spilled fuel in a container.
- 6) Remove the filter element ⑦, and wash it in solvent. Allow it to dry. Inspect the filter element and O-ring ⑧ to make sure they are in good condition. Replace them if necessary.
- 7) Reinstall the filter element in the filter housing ⑥.
- 8) Reinsert the O-ring in its proper position, screw the ring nut onto the filler housing until the filter housing is lightly seated.
- 9) Tighten the ring nut approximately an additional 1/4 turn until the ring nut is tight. Align the one of the eight large ring nut tabs into the slot of the locking tab. Install and tighten the locking tab bolt.
- 10) Reinstall the fuel filter onto the filter bracket by tightening the bolt.
- 11) Reinstall the fuel filter bracket onto the engine by tightening the bolts.
- 12) Run the engine and check the filter and lines for leaks.

NOTE:

If any water is in the fuel, the red ring in the fuel filter unit will float. If so, remove the cup and drain the water.



EMU01661

CHANGING ENGINE OIL

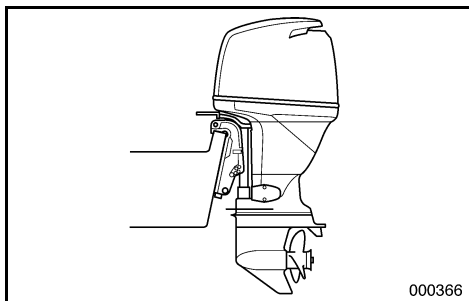
⚠ WARNING

- Avoid extracting or draining the engine oil immediately after stopping the engine. The oil is hot and should be handled with care to avoid burns.
- Be sure the outboard is securely fastened to the transom or a stable stand.

CAUTION:

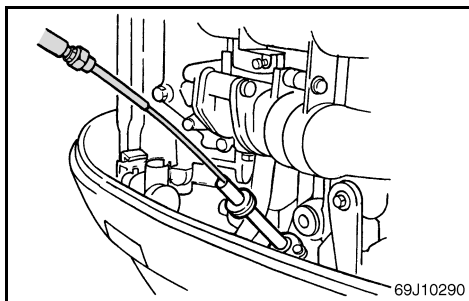
Change the engine oil after the first 10 hours of operation, and every 100 hours or at 6-month intervals thereafter. Otherwise, the engine will wear quickly.

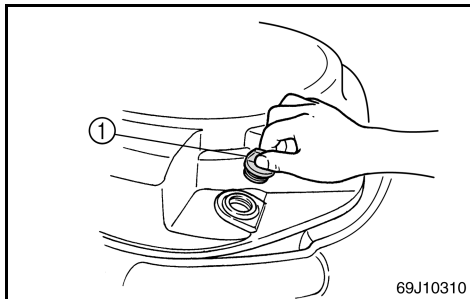
The engine oil can be extracted with an oil changer (recommended), or drained by removing the oil drain plug.



Extracting the oil with an oil changer (normal oil change)

- 1) Put the outboard motor in an upright position (not tilted).
- 2) Pull out the dipstick and use the oil changer to extract the oil.





- 3) Remove the oil filler cap ①. Add the correct amount of oil through the filler hole, and reinstall the filler cap.

Engine oil grade/capacity:
Refer to "SPECIFICATIONS", page 4-1.

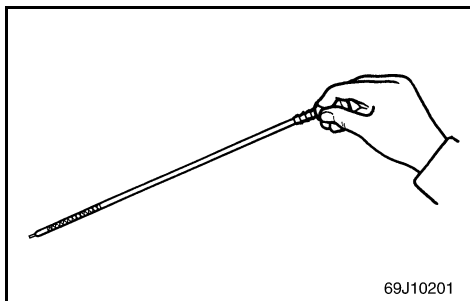
CAUTION:

- Do not overfill the oil, and be sure the engine is in an upright position (not tilted) when checking and changing the oil.
- If the oil level is above the upper level mark, drain until the level meets the specified capacity. Over filling the oil may cause leakage or damage.

- 4) Start the engine and watch to make sure the low oil pressure warning indicator turns off. Make sure that there are no oil leaks.

CAUTION:

If the low oil pressure warning indicator does not turn off, or if there are oil leaks, stop the engine and find the cause. Continued operation with a problem could cause severe engine damage. If the problem cannot be found and corrected, consult your Yamaha dealer.



- 5) Turn off the engine and wait 3 minutes. Recheck the oil level using the dipstick to be sure the level falls between the upper and lower marks. Fill with oil if it is below the specified level if it is above the upper mark.
- 6) Dispose of used oil according to local regulations.

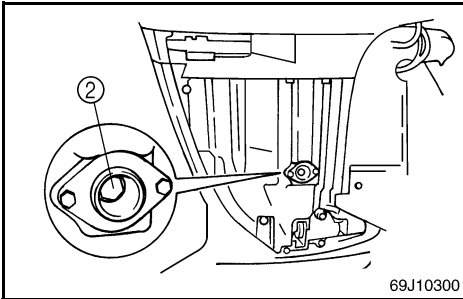
NOTE:

- For disposal of used oil consult your Yamaha dealer.
- The oil should be changed more often when the engine is operated under adverse conditions such as extended trolling.



Draining the oil by removing the oil drain plug

- 1) Remove the four bolts to remove the apron from the starboard side.
- 2) Tilt the outboard motor 5–10 degrees up, and then turn it entirely to the starboard side until the drain plug is directly below.



- 3) Prepare a suitable container which can hold a larger amount than the oil capacity. Loosen and remove the drain bolt ② while holding the container under the drain hole. Let the oil drain completely. Wipe up any spilled oil immediately.

- 4) Put a new gasket on the oil drain bolt. Apply a light coat of oil to the gasket and reinstall the drain bolt.

Tightening torque:
Refer to "SPECIFICATIONS", page 4-1.

NOTE:

- If a torque wrench is not available when you are installing the drain plug, finger tighten the bolt just until the gasket comes into contact with the surface of the drain hole. Then tighten 1/4-1/2 turn. Have the drain bolt torqued to the correct value with a torque wrench as soon as possible.
- Apply grease to the bolts for retaining the apron before tightening them.



EMU01662*

REPLACING FUSE

If the fuse has blown on an Electric start model, open the fuse box and replace the fuse with a spare one of proper amperage, using a fuse puller.

⚠ WARNING

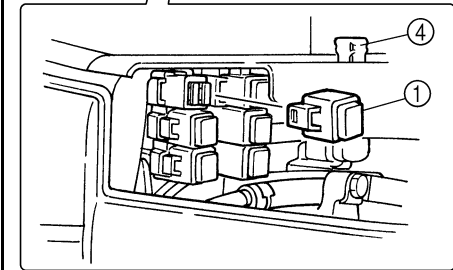
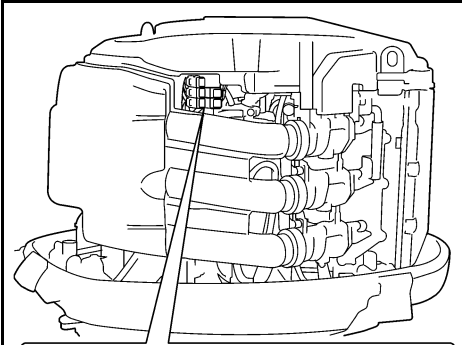
Be sure to use the specified fuse. An incorrect fuse or a piece of wire may allow excessive current flow. This could cause electrical system damage and a fire hazard.

CAUTION:

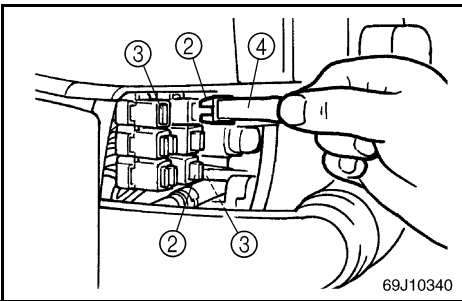
- If a main fuse has blown, be sure to also check the other main fuse.
- If the outboard motor is operated after a main fuse has blown charging capability will be insufficient, and the engine will not start.

NOTE:

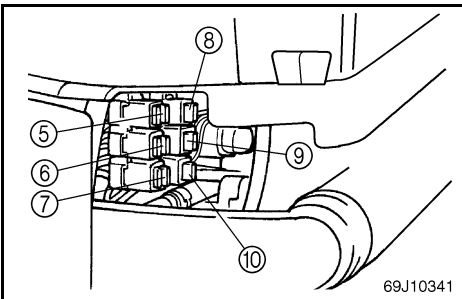
If the new fuse blows again immediately, consult a Yamaha dealer.



69J10330

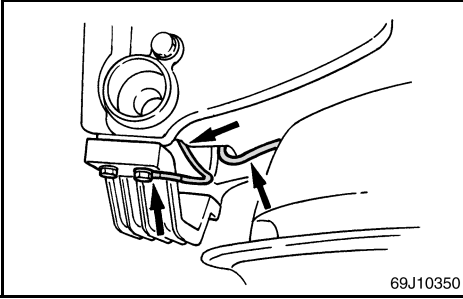


69J10340



69J10341

- ① Fuse box
- ② Fuse (5 A × 1, 20 A × 2, 30 A × 3)
- ③ Spare fuse (5 A, 20 A, 30 A)
- ④ Fuse puller
- ⑤ Starter relay
- ⑥ Main fuse 2
- ⑦ Main fuse 1
- ⑧ Fuel feed pump
- ⑨ Main switch / Trim switch
- ⑩ Engine control unit / Ignition coil / Fuel injection pump / Fuel injection nozzle / ISC (idle speed control)



EMU00383

CHECKING WIRING AND CONNECTORS

- 1) Check that each grounding wire is properly secured.
- 2) Check that each connector is engaged securely.

EMU00384

EXHAUST LEAKAGE

Start the engine and check that no exhaust leaks from the joints between the exhaust cover, cylinder head and crank case.

EMU00385

WATER LEAKAGE

Start the engine and check that no water leaks from the joints between the exhaust cover, cylinder head and crank case.

EMU01634

ENGINE OIL LEAKAGE

Check that no oil leaks from the engine oil system.

NOTE: _____

If any leaks are found, consult a Yamaha dealer.

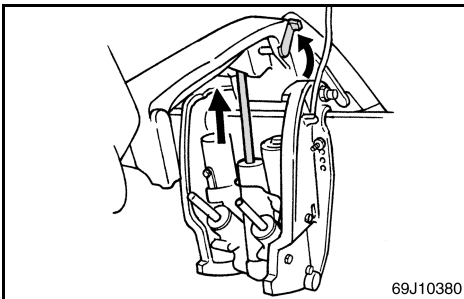
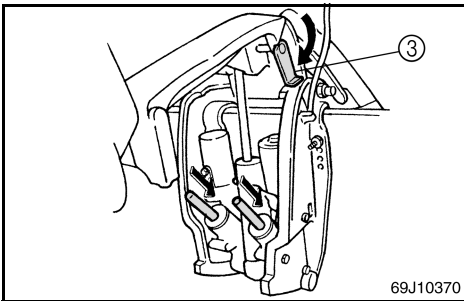
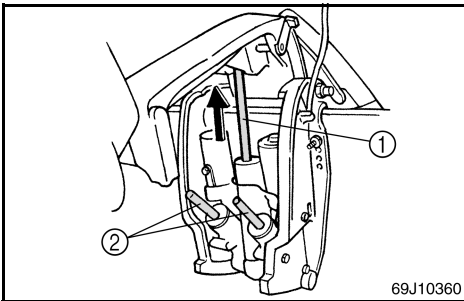


EMU00993

CHECKING POWER TRIM AND TILT SYSTEM

⚠ WARNING

- Never get under the lower unit while it is tilted, even when the tilt-support lever is locked. Severe injury could occur if the outboard accidentally falls.
- Make sure no one is under the outboard before performing this test.

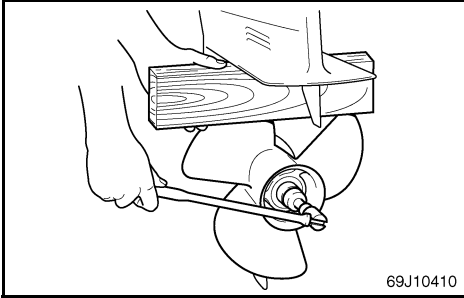


- 1) Check the power trim and tilt unit for any sign of oil leaks.
- 2) Operate each of the power trim and tilt switches on remote control and engine bottom cowling (if equipped) to check that all switches work.
- 3) Tilt up the motor and check that the tilt rod ① and trim rods ② are pushed out completely.
- 4) Use the tilt support lever ③ to lock the motor in the UP position. Operate the tilt down switch briefly so the motor is supported the tilt support lever.
- 5) Check that the tilt rod and trim rods are free of corrosion or other flaws.
- 6) Activate the tilt-down switch until the trim rods have gone completely into the cylinders.
- 7) Activate the trim-up switch until the tilt rod is fully extended. Unlock the tilt support lever.
- 8) Operate the motor to tilt down. Check that the tilt rod and trim rods operate smoothly.

NOTE:

If any operation is abnormal, consult a Yamaha dealer.

Recommended fluid:
Yamaha power trim & tilt fluid or ATF
(DEXRON-II).

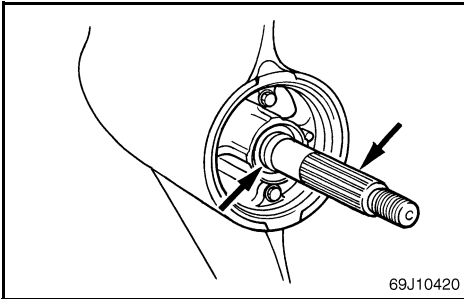


EMU01432

CHECKING PROPELLER

⚠ WARNING

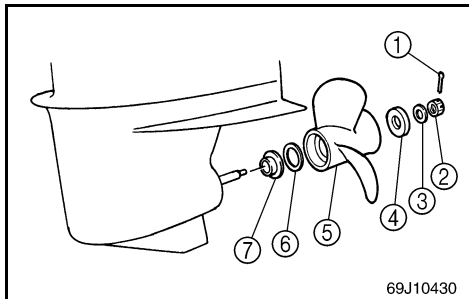
Do not use your hand to hold the propeller when loosening or tightening the propeller nut. Put a wood block between the cavitation plate and the propeller to prevent the propeller from turning.



EMU00390

Propeller Checking Point

- Check each of the propeller blades for wear, erosion from cavitation or ventilation, or other damage.
- Check the splines for wear and damage.
- Check for fish line winding around the propeller shaft.
- Check the propeller shaft oil seal for damage.



EMU01504

Removing the Propeller

- 1) Straighten the cotter pin ① and pull it out using a pair of pliers.
- 2) Remove the propeller nut ②, washer ③ and spacer ④.
- 3) Remove the propeller ⑤, washer ⑥ and spacer ⑦.

EMU01505

Installing the Propeller

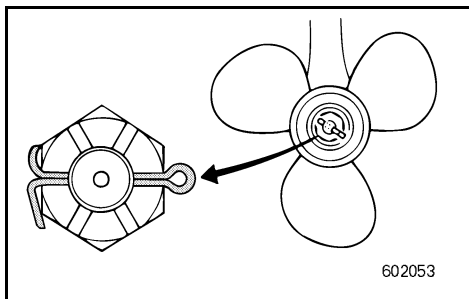
CAUTION:

- Be sure to install the spacer and washer before installing the propeller, otherwise, the lower case and propeller boss may be damaged.
- Be sure to use a new cotter pin and bend the ends over securely, otherwise, the propeller could come off during operation and be lost.

- 1) Apply Yamaha Marine grease or Corrosion resistant grease to the propeller shaft.
- 2) Install the spacer, washer and propeller on the propeller shaft.
- 3) Install the spacer, washer and the propeller nut, and then tighten the nut to the specified torque.

Tightening torque:

Refer to "SPECIFICATIONS" page 4-1.



- 4) Align the propeller nut with the propeller shaft hole. Insert a new cotter pin in the hole and bend the cotter pin ends.

NOTE:

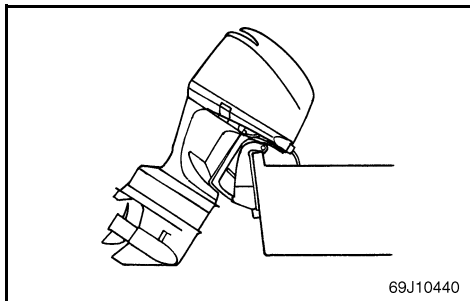
If the propeller nut does not align with the propeller shaft hole after tightening to the specified torque, then tighten the nut further to align it with the hole.



EMU01460

CHANGING GEAR OIL**⚠ WARNING**

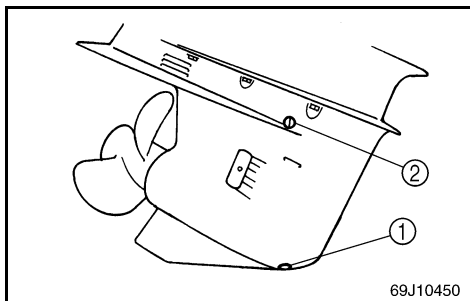
- Be sure the outboard is securely fastened to the transom or a stable stand. You could be severely injured if the outboard falls on you.
- Never get under the lower unit while it is tilted, even when the tilt-support lever/knob is locked. Severe injury could occur if the outboard accidentally falls.



- 1) Tilt the outboard motor so that the oil drain plug is at the lowest point possible.
- 2) Place a suitable container under the gear-case.
- 3) Remove the oil drain plug ①.

NOTE:

The oil drain plug is magnetic. Remove all metal particles from the plug before reinstalling it.



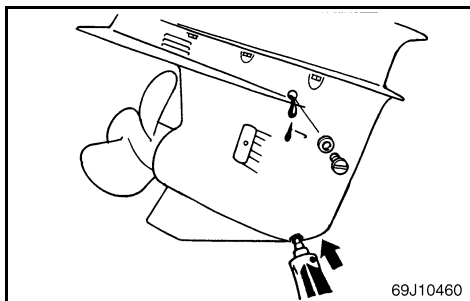
- 4) Remove the oil level plug ② to allow the oil to drain completely.

CAUTION:

Inspect the used oil after it has been drained. If the oil is milky, water is getting into the gear-case which can cause gear damage. Consult a Yamaha dealer for repair of the lower unit seals.

NOTE:

For disposal of used oil consult your Yamaha dealer.

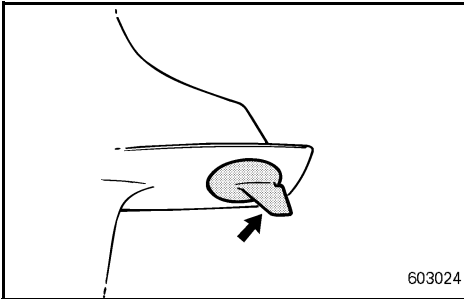


- 5) With the outboard motor in a vertical position, and using a flexible or pressurized filling device, inject the gear oil into the oil drain plug hole.

Gear oil grade/capacity:
Refer to "SPECIFICATIONS," page 4-1.



- 6) When the oil begins to flow out of the oil level plug hole, insert and tighten the oil level plug.
- 7) Insert and tighten the oil drain plug.



EMU01037

INSPECTING AND REPLACING ANODE(S)

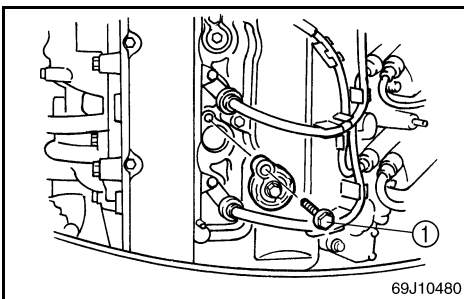
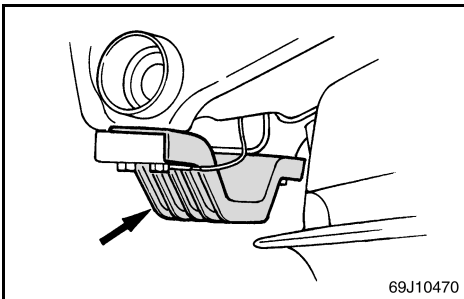
Yamaha outboard motor is protected from corrosion by a sacrificial anode(s). Check the anode(s) periodically. Remove the scales from surfaces of the anode(s). For the inspection and replacement of the anode(s), consult a Yamaha dealer.

CAUTION:

Do not paint the anode(s), for this would render it ineffective.

NOTE:

Remove the cover with anode after removing the bolts ① when checking the anode condition.





EMU00404

CHECKING BATTERY (for Electric start models)

⚠ WARNING

Battery electrolytic fluid is dangerous; it contains sulfuric acid and therefore is poisonous and highly caustic.

Always follow these preventive measures:

- Avoid bodily contact with electrolytic fluid as it can cause severe burns or permanent eye injury.
- Wear protective eye gear when handling or working near batteries.

Antidote (EXTERNAL):

- SKIN - Flush with water.
- EYES - Flush with water for 15 minutes and get immediate medical attention.

Antidote (INTERNAL):

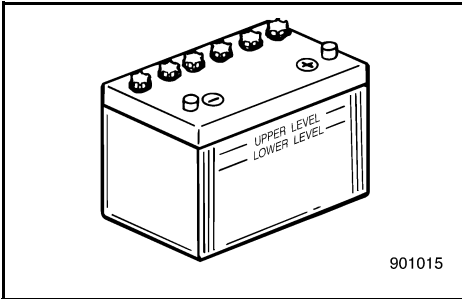
- Drink large quantities of water or milk followed by milk of magnesia, beaten egg, or vegetable oil. Get immediate medical attention.

Batteries also generate explosive hydrogen gas; therefore, you should always follow these preventive measures:

- Charge batteries in a well-ventilated area.
- Keep batteries away from fire, sparks, or open flames (e.g., welding equipment, lighted cigarettes, etc.).
- DO NOT SMOKE when charging or handling batteries.
- KEEP BATTERIES AND ELECTROLYTIC FLUID OUT OF REACH OF CHILDREN.

**CAUTION:**

- A poorly maintained battery will quickly deteriorate.
- Ordinary tap-water contains minerals harmful to a battery, and should not be used for topping-up.



- 1) Check the electrolyte level at least once a month. Fill to the manufacturer's recommended level when necessary. Top up only with distilled water (or pure de-ionized water suitable to use in batteries).
- 2) Keep the battery always in a good state of charge. Installing a voltmeter will help you monitor your battery. If you will not use the boat for a month or more, remove the battery from the boat and store it in a cool, dark place. Completely recharge the battery before using it.
- 3) If the battery will be stored for longer than a month, check the specific gravity of the fluid at least once a month and recharge the battery when it is low.



EMU01279

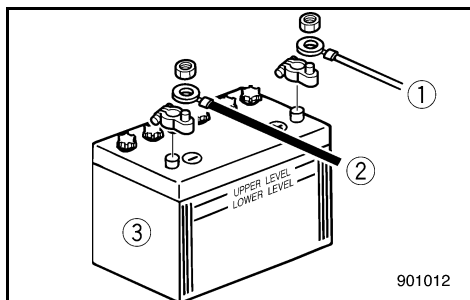
Connecting the Battery

⚠ WARNING

Mount the battery holder securely in a dry, well-ventilated, vibration-free location in the boat. Install a fully charged battery in the holder.

CAUTION:

- Make sure the main switch (on applicable models) is “OFF” before working on the battery.
- Reversal of the battery leads will damage the rectifier.
- Connect the RED lead first when installing the battery and disconnect the RED lead last when removing it. Otherwise, the electrical system can be damaged.
- The electrical contacts of the battery and cables must be clean and properly connected, or the battery will not start the engine.



Connect the RED lead to the POSITIVE (+) terminal first.

Then connect the BLACK lead to the NEGATIVE (-) terminal.

- ① Red lead
- ② Black lead
- ③ Battery

EMU01280

Disconnecting the Battery

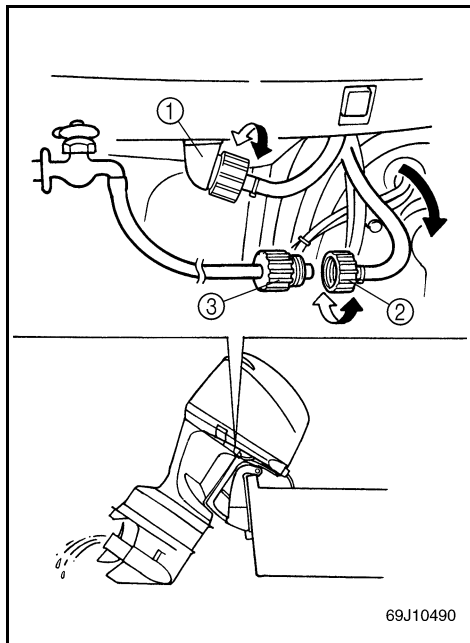
Disconnect the BLACK lead from the NEGATIVE (-) terminal first. Then disconnect the RED lead from the POSITIVE (+) terminal.



EMU00408

CHECKING BOLTS AND NUTS

- 1) Check that bolts securing the cylinder head and engine and the nut securing the flywheel are tightened with their specified tightening torque.
- 2) Check the tightening torque of other bolts and nuts.



EMU01172

CLEANING COOLING-WATER PASSAGES

Flushing device equipped model

Perform this procedure right after operation for the most thorough flushing.

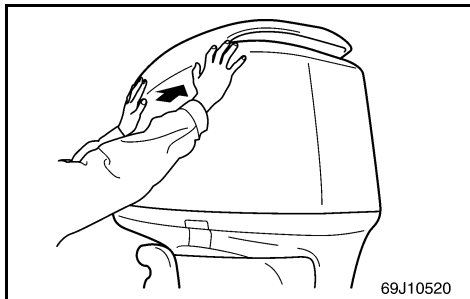
- 1) After shutting off the engine, unscrew the garden-hose connector ② from the fitting ① on the bottom cowling.
- 2) Screw the garden-hose connector ② onto a garden hose ③ which is connected to a fresh-water supply.
- 3) With the engine off, turn on the water tap and let the water flush through the cooling passages for about 15 minutes. Turn off the water and disconnect the garden hose ③.
- 4) When flushing is complete, reinstall the garden-hose connector ② on the fitting ① on the bottom cowling. Tighten the connector securely.

CAUTION:

Do not leave the garden-hose connector loose on the bottom cowling fitting or let the hose hang free during normal operation. Water will leak out of the connector instead of cooling the engine, which can cause serious overheating. Be sure the connector is tightened securely on the fitting after flushing the engine.

NOTE:

- When flushing the engine with the boat in the water, tilting up the engine until it is completely out of the water will achieve better results.
- Refer to cooling system flushing instructions in "TRANSPORTING AND STORING OUTBOARD MOTOR".

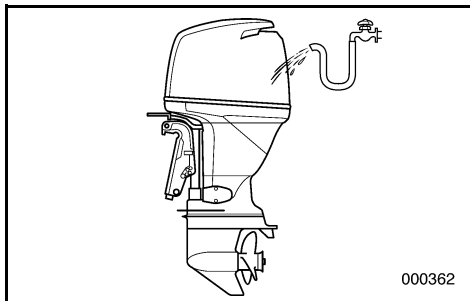


EMU01635

CHECKING TOP COWLING

Check the fitting of the top cowling by pushing it with both hands.

If the fitting is loose have it repaired by a Yamaha dealer.



EMU00409

MOTOR EXTERIOR

EMU00410

Cleaning the Outboard Motor

After use, wash the exterior of the outboard with fresh water.

Flush the cooling system with fresh water.

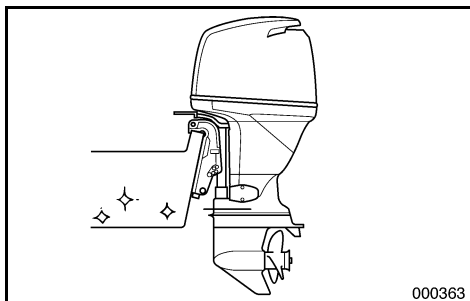
NOTE: _____

Refer to Flushing Cooling System instructions in "TRANSPORTING AND STORING OUTBOARD MOTOR".

EMU00412

Checking Painted Surface of Motor

Check the motor for scratches, nicks, or flaking paint. Areas with damaged paint are more likely to corrode. If necessary, clean and paint the areas. A touch-up paint is available from a Yamaha dealer.



EMU00413

COATING THE BOAT BOTTOM

A clean hull improves boat performance. The boat bottom should be kept as clean of marine growths as possible. If necessary, the boat bottom can be coated with an anti-fouling paint approved for your area to inhibit marine growth.

Do not use anti-fouling paint which includes copper or graphite. These paints can cause more rapid engine corrosion.



-MEMO-

EMU00414

Chapter 5

TROUBLE RECOVERY

TROUBLESHOOTING 5-1

TEMPORARY ACTION IN

EMERGENCY 5-4

- Impact damage 5-4
- Running single engine 5-4
- Power trim/tilt will not operate 5-5
- Treatment of submerged motor 5-6





EMU01663

TROUBLESHOOTING

A problem in the fuel, compression, or ignition systems can cause poor starting, loss of power, or other problems. The troubleshooting chart describes basic checks and possible remedies. (This chart covers all Yamaha outboard motors. Therefore, some items may not apply to your model.)

If your outboard motor requires repair, bring it to a Yamaha dealer.

Trouble	Possible Cause	Remedy
A. Starter will not operate.	<ol style="list-style-type: none">1. Battery capacity weak or low.2. Battery connections loose or corroded.3. Fuse for electric start circuit blown.4. Starter components faulty.5. Engine stop switch lanyard not attached.6. Shift lever in gear.	<ol style="list-style-type: none">1. Check battery condition. Use battery of recommended capacity.2. Tighten battery cables and clean battery terminals.3. Check for cause of electric overload and repair. Replace fuse with one of correct amperage.4. Have serviced by a Yamaha dealer.5. Attach lanyard.6. Shift to neutral.
B. Engine will not start (Starter operates).	<ol style="list-style-type: none">1. Fuel tank empty.2. Fuel contaminated or stale.3. Fuel filter clogged.4. Starting procedure incorrect.5. Fuel pump malfunctions.6. Spark plug(s) fouled or incorrect type.7. Spark plug cap(s) fitted incorrectly.8. Poor connections or damaged ignition wiring.9. Ignition parts faulty.10. Engine stop switch lanyard not attached.11. Engine inner parts damaged.	<ol style="list-style-type: none">1. Fill tank with clean, fresh fuel.2. Fill tank with clean, fresh fuel.3. Clean or replace filter.4. Read "STARTING ENGINE" section.5. Have serviced by a Yamaha dealer.6. Inspect spark plug(s). Clean or replace with recommended type.7. Check and re-fit cap(s).8. Check wires for wear or breaks. Tighten all loose connections. Replace worn or broken wires.9. Have serviced by a Yamaha dealer.10. Attach lanyard.11. Have serviced by a Yamaha dealer.



Trouble	Possible Cause	Remedy
C. Engine idles irregularly or stalls.	<ol style="list-style-type: none">1. Spark plug(s) fouled or incorrect type.2. Fuel system obstructed.3. Fuel contaminated or stale.4. Fuel filter clogged.5. Failed ignition parts.6. Warning system activated.7. Spark plug gap incorrect.8. Poor connections or damaged ignition wiring.9. Specified engine oil not used.10. Thermostat faulty or clogged.11. Fuel pump damaged.12. Motor angle too high.13. Fuel joint connection incorrect.14. Battery lead disconnected.	<ol style="list-style-type: none">1. Inspect spark plug(s). Clean or replace with recommended type.2. Check for pinched or kinked fuel line or other obstructions in fuel system.3. Fill tank with clean, fresh fuel.4. Clean or replace filter.5. Have serviced by a Yamaha dealer.6. Find and correct cause of warning.7. Inspect and adjust as specified.8. Check wires for wear or breaks. Tighten all loose connections. Replace worn or broken wires.9. Check and replace oil as specified.10. Have serviced by a Yamaha dealer.11. Have serviced by a Yamaha dealer.12. Return to normal operating position.13. Connect correctly.14. Connect securely.
D. Warning buzzer sounds or indicator lamp lights.	<ol style="list-style-type: none">1. Cooling system clogged.2. Engine oil level low.3. Specified engine oil not used.4. Engine oil contaminated or deteriorated.5. Oil filter clogged.6. Oil feed/injection pump malfunctions.7. Load on boat improperly distributed.8. Water pump/thermostat faulty.	<ol style="list-style-type: none">1. Check water intake for restriction.2. Fill oil tank with specified engine oil.3. Check and replace oil with specified type.4. Replace oil with fresh, specified type.5. Have serviced by a Yamaha dealer.6. Have serviced by a Yamaha dealer.7. Distribute load to place boat on an even plane.8. Have serviced by a Yamaha dealer.



Trouble	Possible Cause	Remedy
E. Engine power loss.	<ol style="list-style-type: none">1. Propeller damaged.2. Propeller pitch or diameter incorrect.3. Trim angle incorrect.4. Motor mounted at incorrect height on transom.5. Warning system activated.6. Boat bottom fouled with marine growth.7. Spark plug(s) fouled or incorrect type.8. Weeds or other foreign matter tangled on gear housing.9. Fuel system obstructed.10. Fuel filter clogged.11. Fuel contaminated or stale.12. Spark plug gap incorrect.13. Poor connections or damaged ignition wiring.14. Failed ignition parts.15. Specified engine oil not used.16. Thermostat faulty or clogged.17. Fuel pump damaged.18. Fuel joint connection incorrect.19. Heat range of spark plug incorrect.	<ol style="list-style-type: none">1. Have propeller repaired or replaced.2. Install correct propeller to operate outboard at its recommended speed (r/min) range.3. Adjust trim angle to achieve most efficient operation.4. Have motor adjusted to proper transom height.5. Find and correct cause of warning.6. Clean boat bottom.7. Inspect spark plug(s). Clean or replace with recommended type.8. Remove foreign matter and clean lower unit.9. Check for pinched or kinked fuel line or other obstructions in fuel system.10. Clean or replace filter.11. Fill tank with clean, fresh fuel.12. Inspect and adjust as specified.13. Check wires for wear or breaks. Tighten all loose connections. Replace worn or broken wires.14. Have serviced by a Yamaha dealer.15. Check and replace oil with specified type.16. Have serviced by a Yamaha dealer.17. Have serviced by a Yamaha dealer.18. Connect correctly.19. Inspect spark plug and replace it with recommended type.
F. Engine vibrates excessively.	<ol style="list-style-type: none">1. Propeller damaged.2. Propeller shaft damaged.3. Weeds or other foreign matter tangled on propeller.4. Motor mounting bolt loose.5. Steering pivot loose or damaged.	<ol style="list-style-type: none">1. Have propeller repaired or replaced.2. Have serviced by a Yamaha dealer.3. Remove and clean propeller.4. Tighten bolt.5. Tighten or have serviced by a Yamaha dealer.

EMU00416

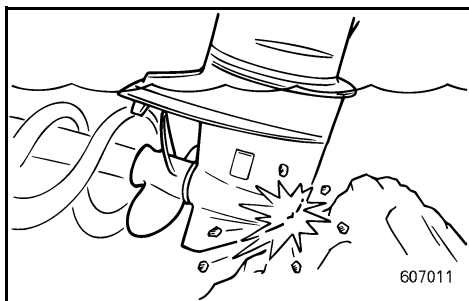
TEMPORARY ACTION IN EMERGENCY

EMU01492

IMPACT DAMAGE

⚠ WARNING

The outboard motor can be seriously damaged by a collision while operating or trailering. Damage could make the outboard motor unsafe to operate.



If the outboard motor hits any object in the water, follow the procedure below.

- 1) Stop the engine immediately.
- 2) Inspect the control system and all components for damage. Also, inspect the boat for damage.
- 3) Whether damage is found or not, return to the nearest harbor slowly and carefully.
- 4) Have a Yamaha dealer inspect the outboard motor before operating it again.

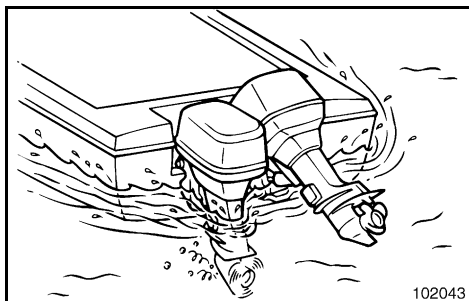
EMU00418

RUNNING SINGLE ENGINE

Using only one of the engines in case of an emergency, be sure to keep the unused one tilted up and operate the other engine at low speed.

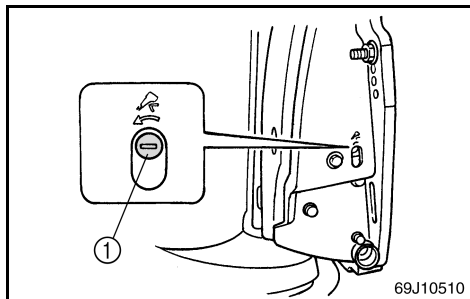
CAUTION:

If the boat is operated with one engine in the water but not running, water may run into the exhaust pipe due to wave action, causing engine trouble.



NOTE:

When you are maneuvering at low speed, such as near a dock, it is recommended that both engines be running with one in neutral gear if possible.



EMU00419

POWER TRIM/TILT WILL NOT OPERATE

If the engine cannot be tilted up or down with the power trim and tilt because of a discharged battery or a failure with the power trim and tilt unit, the engine can be tilted manually.

① Manual valve screw

EMU00421*

- 1) Loosen the manual valve screw counter-clockwise until it stops.
- 2) Put the engine in the desired position, then tighten the manual valve screw clockwise.



EMU01511

TREATMENT OF SUBMERGED MOTOR

If the outboard motor is submerged, immediately take it to a Yamaha dealer. Otherwise, some corrosion may begin almost immediately.

If you cannot immediately take the outboard motor to a Yamaha dealer, follow the procedure below in order to minimize engine damage.

EMU00449*

- 1) Thoroughly wash away mud, salt, seaweed, etc. with fresh water.
- 2) Remove the spark plugs and face the spark plug holes downward to allow any water, mud or contaminants to drain.
- 3) Drain the fuel from the vapor separator, fuel filter and fuel line.
- 4) Take the outboard motor to a Yamaha dealer as soon as possible.

CAUTION:

Do not attempt to run the motor until it has been completely inspected.



-MEMO-

A to Z

EMU00450

Chapter 6

INDEX

INDEX 6-1



INDEX

- A**
 Adjusting trim angle 3-12
 Approval label of emission control certificate... 1-2
- B**
 Basic boating rules (rules of the road) 1-7
 Battery care 4-8
 Battery requirement 1-14
 Bow down 3-13
 Bow up 3-13
 Breaking in (running in) engine 3-2
- C**
 Changing engine oil 4-19
 Changing gear oil 4-27
 Checking battery (for electric start models) ... 4-29
 Checking bolts and nuts 4-32
 Checking fuel system 4-16
 Checking painted surface of motor 4-34
 Checking points after starting engine 3-8
 Checking power trim and tilt system 4-24
 Checking propeller 4-25
 Checking the engine oil level 3-4
 Checking top cowling 4-34
 Checking wiring and connectors 4-23
 Checkpoints 4-16
 Cleaning and adjusting spark plug 4-14
 Cleaning and anti-corrosion measure 4-7
 Cleaning cooling-water passages 4-33
 Cleaning the outboard motor 4-34
 Clock 2-14
 Coating the boat bottom 4-34
 Connecting the battery 4-31
 Controls 3-3
 Crossing 1-8
 Cruising in other conditions 3-17
 Cruising in salt water 3-17
- D**
 Digital speedometer 2-13
 Digital tachometer 2-10
 Disconnecting the battery 4-31
 Draining the oil by removing the oil drain plug 4-21
- E**
 Electric start model 3-7
 Emission control information 1-2
 Engine 3-4
 Engine oil 1-13
 Engine oil leakage 4-23
- Engine stop lanyard switch 2-5
 Exhaust leakage 4-23
 Extracting the oil with an oil changer (normal oil change) 4-19
- F**
 Filling fuel 3-4
 Filling fuel tank 4-5
 Fishing vessel right-of-way 1-9
 Flushing cooling system and fogging engine... 4-5
 Flushing device 2-20
 Forward 3-9
 Free accelerator 2-6
 Fuel 3-3
 Fuel consumption meter 2-17
 Fuel economy 2-18
 Fuel flow meter 2-17
 Fueling instructions 1-11
 Fuel management meter 2-16
 Fuel meter 2-15
- G**
 Gasohol 1-12
 Gasoline (petrol) 1-12
 Give-way vessel 1-7
 Greasing 4-13
- H**
 Hour meter 2-11
- I**
 Identification numbers record 1-1
 Impact damage 5-4
 Important labels 1-6
 Index 6-1
 Inspecting and replacing anode(s) 4-28
 Inspecting fuel filter 4-17
 Installation 3-1
 Installing the propeller 4-26
- K**
 Key number 1-1
- L**
 Low oil pressure warning 2-22
 Low oil pressure warning indicator 2-12
 Lubrication 4-6
- M**
 Main components 2-1
 Main switch 2-4
 Maintenance chart 4-11
 Manufactured date label 1-2
 Meeting 1-8
 Motor exterior 4-34
- N**
 Narrow channels and bends 1-9

Neutral interlock trigger.....	2-3
Neutral throttle lever	2-4
New technology; (4-stroke/HPDI) EM.....	1-2
North american models.....	1-2
O	
Oil	3-3
One star - low emission	1-3
Operations of controls and other functions.....	2-2
Other special situations	1-9
Outboard motor serial number.....	1-1
Overheat warning	2-21
Overheat warning indicator.....	2-12
Overtaking	1-8
P	
Periodic maintenance	4-10
Power trim/tilt switch	2-9
Power trim/tilt switches	2-6
Power trim/tilt will not operate.....	5-5
Pre-operation checks.....	3-3
Procedure for remote control model	3-6
Procedure for tilting down	3-16
Procedure for tilting up.....	3-15
Propeller checking point	4-25
Propeller selection	1-15
R	
Reading buoys and other markers.....	1-9
Remote control	2-2
Remote control lever.....	2-3
Removing the propeller.....	4-26
Replacement parts.....	4-10
Replacing fuse	4-22
Reverse	3-9
Rules when encountering vessels	1-8
Running single engine	5-4
S	
Safety information.....	1-4
Sailing vessel right-of-way	1-9
Shifting.....	3-9
Specification data	4-1
Speedometer	2-13
Stand-on vessel.....	1-7
Star labels.....	1-3
Start-in-gear protection	1-16
Starting engine.....	3-5
Steering and sailing rules and sound signals.....	1-7
Stopping engine.....	3-10
Storing outboard motor.....	4-4

T

Tachometer	2-10
Temporary action in emergency	5-4
“The general prudential rule”	1-7
Three stars - ultra low emission.....	1-3
Throttle friction adjusting screw	2-7
Tilting up/down	3-14
Tilt support lever	2-19
Top cowling lock levers	2-20
Trailer ing outboard motor	4-3
Transporting and storing outboard motor	4-3
Treatment of submerged motor	5-6
Trim meter	2-11
Trimming outboard motor	3-11
Trim tab	2-8
Trip meter	2-14
Troubleshooting.....	5-1
Twin engine speed synchronizer	2-19
Two stars - very low emission	1-3
W	
Warming up engine	3-8
Warning indicators	2-15
Warning labels.....	1-6
Warning system.....	2-21
Water leakage	4-23
Water separator warning indicator.....	2-19

IMPORTANT WARRANTY INFORMATION FOR U.S.A. AND CANADA

Welcome to the Yamaha Family!

Congratulations on the purchase of your new Yamaha marine power. Yamaha is committed to exceptional customer satisfaction, and we want your ownership experience to be a satisfying one. Please read the following warranty information to help ensure satisfaction with your Yamaha.

Yamaha is ready to stand behind your purchase with strong warranty coverage. To be sure you receive all the benefits of warranty, please take the following steps:

1. Be sure your new Yamaha is registered for warranty. Your boat dealer should do this at the time of sale. Make sure your dealer gives you a copy of the completed Yamaha registration card for your records. If you are unsure whether or not your Yamaha is registered, complete the Warranty Registration card found inside the cover of the Owner's Manual. Mail it to the distributor for the country in which you live (see step 6 for the correct address). If your Yamaha is not properly registered, a warranty repair could be unnecessarily delayed while registration records are checked.
2. Read the Limited Warranty statement which follows these instructions. This warranty applies to Yamaha outboard motors sold in the United States, whether purchased separately or when supplied as original equipment by a boat builder. The terms also apply to original equipment packages sold in Canada, with coverage provided by Yamaha Motor Canada (see "Warranty Guide" for Canadian models). This warranty explains the conditions of the warranty, including the obligations that your dealer and you as the owner have under the warranty. For example, your Yamaha outboard must receive a proper pre-delivery inspection (PDI) by the selling dealer. Failure to take this important step could jeopardize warranty coverage!
3. If you need warranty repairs, you must take your Yamaha outboard to an authorized Yamaha outboard dealer. Be aware that not all selling boat dealers are authorized Yamaha dealers. Only authorized dealers have the factory training, special tools, and Yamaha support needed to perform warranty repairs.
4. If you are away from home, or your selling dealer is not an authorized Yamaha dealer, use the following toll-free numbers to find the nearest Yamaha dealer.

United States Dealer Locations: 1-800-692-6242

Canada Dealer Locations: 1-800-267-8577

5. Your warranty applies specifically to repairs made in the country of purchase. If your U.S.-purchased Yamaha needs warranty service while in Canada, or your Canadian purchased Yamaha needs service while in the United States, Yamaha will assist the local dealer whenever possible. However, some products available in one country may not be sold or serviced in the other.

6. If you need any additional information about your Yamaha or warranty coverage which your dealer cannot provide, please contact us directly.

Yamaha Motor Corporation, U.S.A.
P.O. Box 6555
Cypress, CA 90630
Attention: Customer Relations Department

Telephone No. (714) 761-7439
Fax No. (714) 761-7559

Yamaha Motor Canada Ltd.
480 Gordon Baker Road
Toronto, Ontario
M2H 3B4
Attention: Customer Relations Department

Telephone No. (416) 498-1911
Fax No. (416) 491-3122

YAMAHA MOTOR CORPORATION, U.S.A. FOUR-STROKE OUTBOARD MOTOR THREE-YEAR LIMITED WARRANTY

Yamaha Motor Corporation, U.S.A. hereby warrants that new Yamaha 1999-or-later model four-stroke outboard motors originally distributed by Yamaha Motor Corporation, U.S.A. will be free from defects in material and workmanship for the period of time stated herein, subject to certain stated limitations. Warranty coverage for outboards distributed by non-US Yamaha affiliated companies may be different.

PERIOD OF WARRANTY. Any new Yamaha 1999-or-later model four-stroke outboard motor purchased and registered with Yamaha Motor Corporation, U.S.A. for pleasure use in the United States, will be warranted against defects in material or workmanship for a period of three (3) years from the date of purchase, subject to exclusions noted herein. Any Yamaha outboard motor purchased and utilized for commercial applications will be warranted for a period of one (1) year from the date of purchase, subject to exclusions noted herein. Yamaha peripheral equipment included with the motor, such as gauges, fuel tanks, and hoses, remote control boxes, and wiring external from the motor unit, will be warranted for one (1) year from the date of purchase of either pleasure or commercial use. Replacement parts used in warranty repairs will be warranted for the balance of the applicable warranty period.

The second and third year of warranty (if applicable) shall be limited to covering the cost of parts and labor for major components only. The major components covered are:

Power Unit Section

- Power Head
- Intake Manifold
- Carburetor Assembly and its Related Components
- Fuel Injection System and its Related Components
- Fuel and Oil Pump Assemblies
- Ignition System (Standard and Microcomputer)

Lower Unit Section

- Exhaust System
- Upper Casing
- Lower Unit Assembly

Bracket Section

- Bracket System
- Power Trim and Tilt Assembly

WARRANTY REGISTRATION. To be eligible for warranty coverage, the outboard motor must be registered with Yamaha Motor Corporation, U.S.A. Warranty registration can be accomplished by any authorized Yamaha Outboard Motor Dealer. Upon receipt of the registration, an Owner's Warranty Card will be sent by Yamaha to the registered purchaser.

OBTAINING REPAIRS UNDER WARRANTY. To receive repairs under this warranty, a valid Owner's Warranty Card must be presented to an authorized Yamaha Outboard Motor Dealer.

During the period of warranty, any authorized Yamaha outboard dealer will, free of charge, repair or replace, at Yamaha's option, any parts adjudged defective by Yamaha due to faulty workmanship or material from the factory. All replaced parts will become the property of Yamaha Motor Corporation, U.S.A.

CUSTOMER'S RESPONSIBILITY. Under the terms of this warranty, the customer will be responsible for ensuring that the outboard motor is properly operated, maintained, and stored as specified in the applicable Owner's Manual.

The owner of the outboard motor shall give notice to an authorized Yamaha Outboard Motor Dealer of any and all apparent defects within ten (10) days of discovery and make the motor available at that time for inspection and repairs at the dealer's place of business.

GENERAL EXCLUSIONS FROM WARRANTY. This warranty will not cover the repair of damage if the damage is a result of abuse or neglect of the product. Examples of abuse and neglect include, but are not limited to:

1. Racing or competition use, modification of original parts, abnormal strain.
2. Lack of proper maintenance and off season storage as described in the Owner's Manual, installation of parts or accessories that are not equivalent in design and quality genuine Yamaha parts.
3. Operation of the motor at an rpm other than specified, use of lubricants or oils that are not suitable for outboard motor use.
4. Damage as a result of accidents, collisions, contact with foreign materials, or submersion.
5. Growth of marine organism on motor surfaces.
6. Normal deterioration.

SPECIFIC PARTS EXCLUDED FROM WARRANTY. Parts replaced due to normal wear or routine maintenance such as oil, spark plugs, shear pins, propellers, hubs, fuel and oil filters, brushes for the starter motor and power tilt motor, water pump impellers, and anodes, are not covered by warranty.

Charges for removal of the motor from a boat and transporting the motor to and from an authorized Yamaha Outboard Motor Dealer are excluded from warranty coverage.

Specific parts excluded from the second and third year of warranty (if applicable) are:

- Top and Bottom Cowling
- Electric Components (other than ignition system)
- Rubber Components (such as hoses, tubes, rubber seals, fittings, and clamps)

TRANSFER OF WARRANTY. Transfer of the warranty from the original purchaser to any subsequent purchaser is possible by having the motor inspected by an authorized Yamaha Outboard Motor Dealer and requesting the dealer to submit a change of registration to Yamaha Motor Corporation, U.S.A. within ten (10) days of the transfer.

YAMAHA MOTOR CORPORATION, U.S.A. MAKES NO OTHER WARRANTY OF ANY KIND, EXPRESSED OR IMPLIED. ALL IMPLIED WARRANTIES OF MERCHANTABILITY AND FITNESS FOR A PARTICULAR PURPOSE WHICH EXCEED THE OBLIGATIONS AND TIME LIMITS STATED IN THIS WARRANTY ARE HEREBY DISCLAIMED BY YAMAHA MOTOR CORPORATION, U.S.A. AND EXCLUDED FROM THIS WARRANTY.

SOME STATES DO NOT ALLOW LIMITATIONS ON HOW LONG AN IMPLIED WARRANTY LASTS, SO THE ABOVE LIMITATIONS MAY NOT APPLY TO YOU. ALSO EXCLUDED FROM THIS WARRANTY ARE ANY INCIDENTAL OR CONSEQUENTIAL DAMAGES INCLUDING LOSS OF USE. SOME STATES DO NOT ALLOW THE EXCLUSION OR LIMITATION OF INCIDENTAL OR CONSEQUENTIAL DAMAGES, SO THE ABOVE EXCLUSION MAY NOT APPLY TO YOU.

THIS WARRANTY GIVES YOU SPECIFIC LEGAL RIGHTS, AND YOU MAY ALSO HAVE OTHER RIGHTS WHICH VARY FROM STATE TO STATE.

**YAMAHA MOTOR CORPORATION, U.S.A.
Post Office Box 6555
Cypress, California 90630**

IMPORTANT WARRANTY INFORMATION IF YOU USE YOUR YAMAHA OUTSIDE U.S.A. OR CANADA

Welcome to the Yamaha Family!

Congratulations on the purchase of your new Yamaha marine power. Yamaha is committed to exceptional customer satisfaction, and we want your ownership experience to be a satisfying one. Please read the following warranty information to help ensure satisfaction with your Yamaha.

This model was manufactured as a U.S.A. specification model, and the warranty statement shown in this manual is for market. To receive the benefits of the warranty that applies to the country in which you use your Yamaha, please note the following information.

1. The warranty on this model is the same as equivalent models sold in the country where you will receive service. If you need more information about your warranty coverage or your Yamaha outside the U.S.A. or Canada, please contact an authorized Yamaha dealer in your country.
2. Keep a copy of your sales contract or invoice for the purchase of your Yamaha and present it if you need warranty repairs. This document should show the date of purchase, which is important evidence the repairing dealer will need to be sure your Yamaha is covered by warranty.
3. If your Yamaha needs warranty repairs, contact an authorized Yamaha dealer in the country where you are. He will explain how to get warranty service in that country.
4. This Yamaha model may not be sold in some countries. Therefore, in some cases your local dealer may not have all the parts or service information he may need, which may unavoidably delay repairs. If this happens, we thank you for your understanding and assure you we will attempt to resolve the situation as quickly as possible.



YAMAHA MOTOR CORPORATION, USA

Printed in Japan

April 2001-1.0 × 1 CR

69J-28199-10

(F225AET, FL225AET)

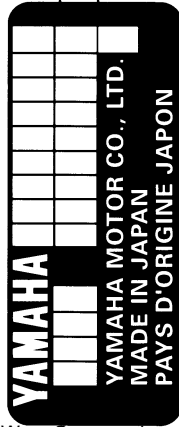
(英)

YAMAHA

OUTBOARD MOTOR WARRANTY REGISTRATION ENREGISTREMENT DE LA GARANTIE DU MOTEUR HORS-BORD

Please complete and mail this card. This information is necessary to accurately register your unit for warranty.
Veuillez signer ci-dessous pour attester que le montage et l'inspection ont été faits dans le respect des directives d'inspection et que la marche à suivre pour la garantie et l'entretien a été expliquée à l'acheteur au détail.

OUTBOARD MOTOR MODEL AND SERIAL NUMBER (From I.D. label on clamp bracket)
MODÈLE ET NO. DE SÉRIE DU MOTEUR HORS-BORD (sur l'étiquette d'identification de la presse de fixation)



(For Dealer Use Only)

(A l'usage du concessionnaire)
YAMAHA DEALER NUMBER
NO. DU CONCESSIONNAIRE
YAMAHA

DEALER NAME
NOM DU
CONCESSIONNAIRE

DATE SOLD
DATE DE
LIVRAISON

MONTH
MOIS

DAY
JOUR

YEAR
ANNÉE

OWNER'S NAME
NOM DU
PROPRIÉTAIRE

FIRST
PRÉNOM

LAST
NOM DE FAMILLE

ADDRESS
ADRESSE

STREET
RUE

CITY
VILLE

STATE/PROVINCE
PROVINCE

ZIP
CODE POSTAL

PHONE NUMBER ()
NUMÉRO DE TÉLÉPHONE

PLACE
POSTAGE
HERE

ATTN: WARRANTY DEPARTMENT

Free Manuals Download Website

<http://myh66.com>

<http://usermanuals.us>

<http://www.somanuals.com>

<http://www.4manuals.cc>

<http://www.manual-lib.com>

<http://www.404manual.com>

<http://www.luxmanual.com>

<http://aubethermostatmanual.com>

Golf course search by state

<http://golfingnear.com>

Email search by domain

<http://emailbydomain.com>

Auto manuals search

<http://auto.somanuals.com>

TV manuals search

<http://tv.somanuals.com>