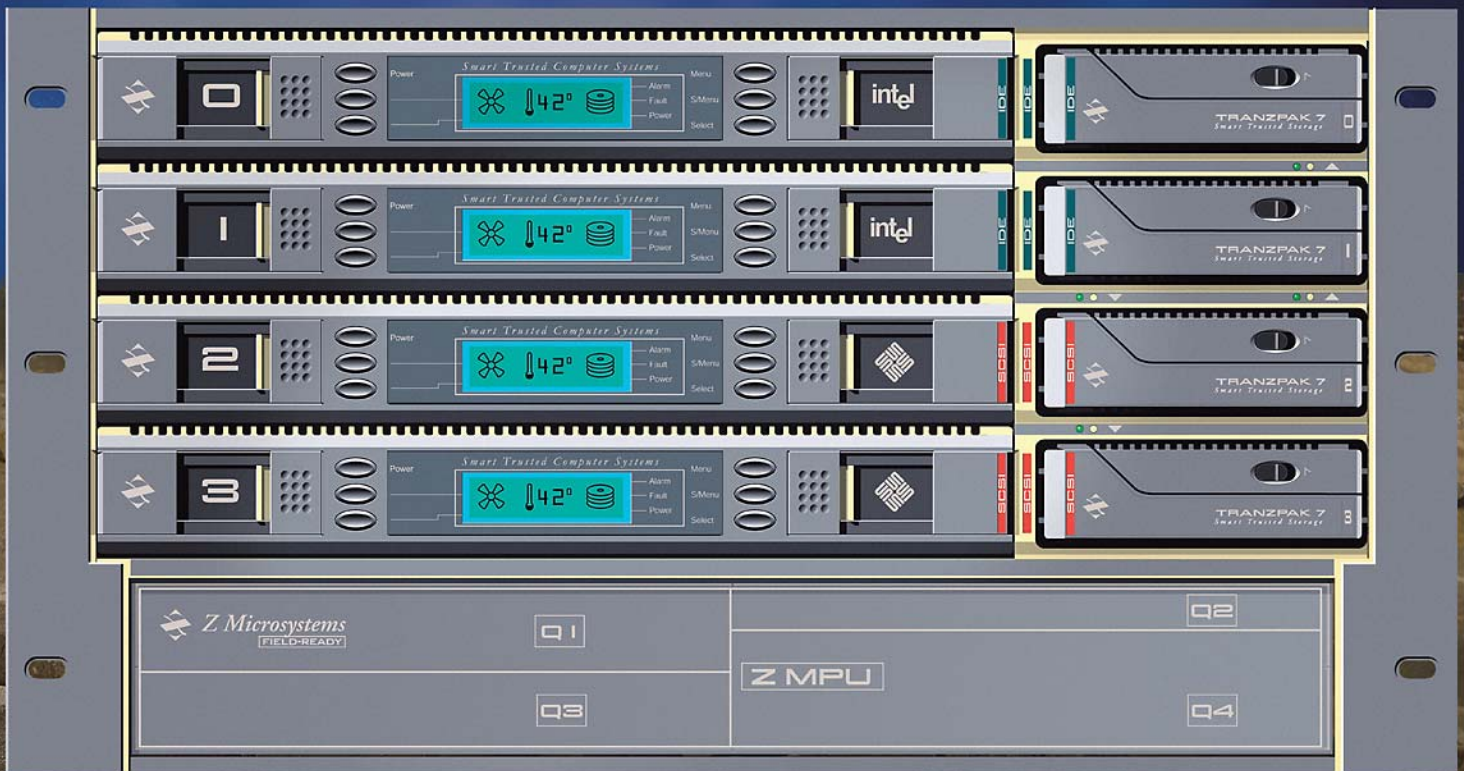




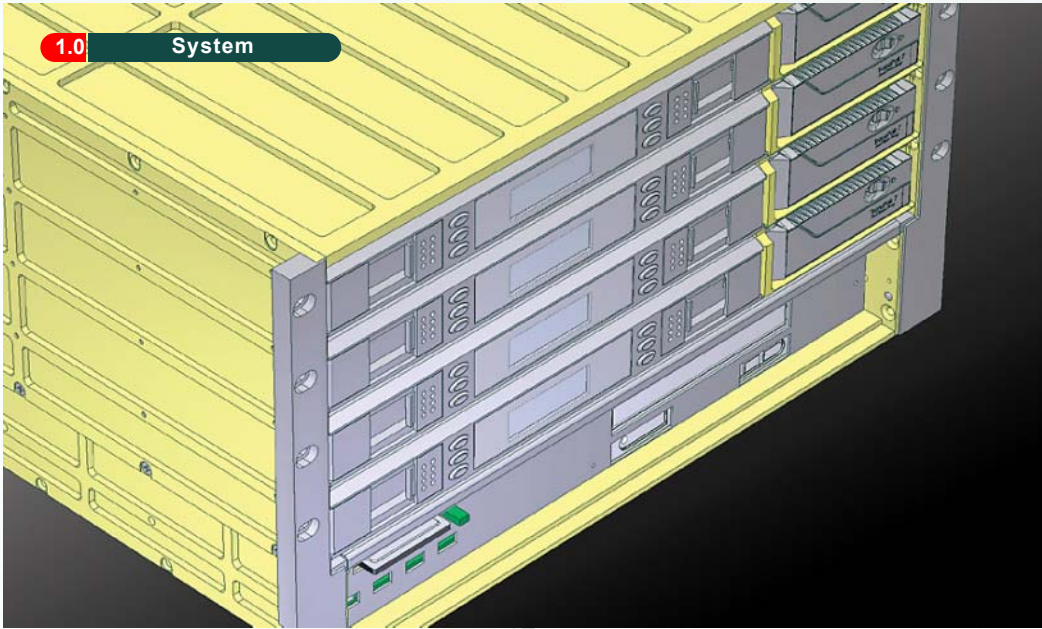
Z Microsystems

Z MPU

FIELD-READY



1.0 System



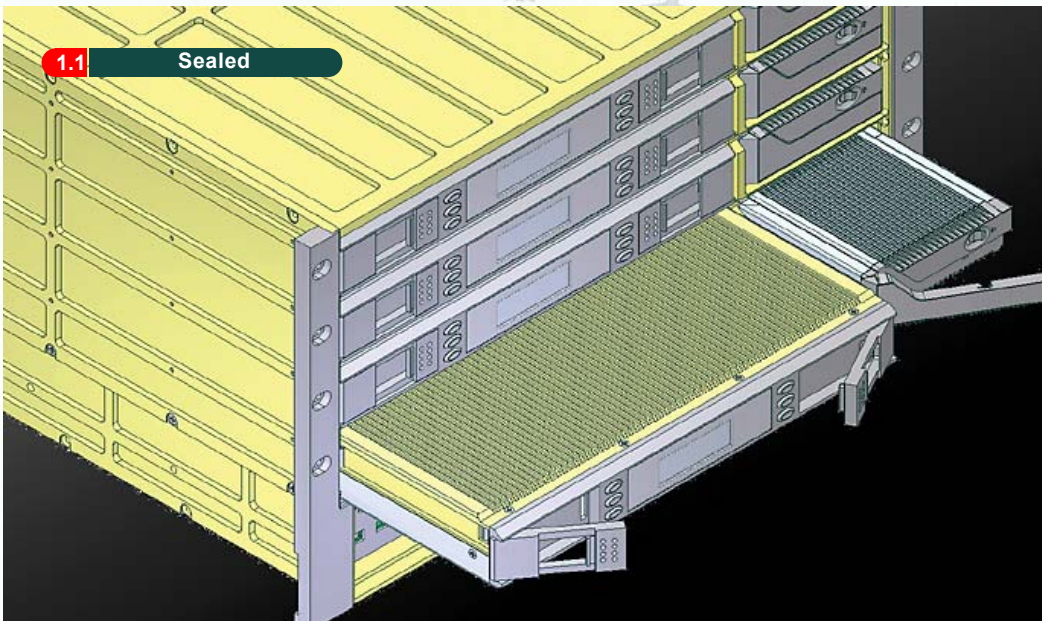
Z MPU

- *Shared Chassis -- Shared Peripherals*
- *Less space, less weight, less power, less cost*

The rugged Z MPU delivers four independent computers. Each computer is an Intel or Sun COTS computer encased in its own environmentally sealed hot swappable module.

Each computer is a complete stand alone system with its own dedicated boot disk.

1.1 Sealed

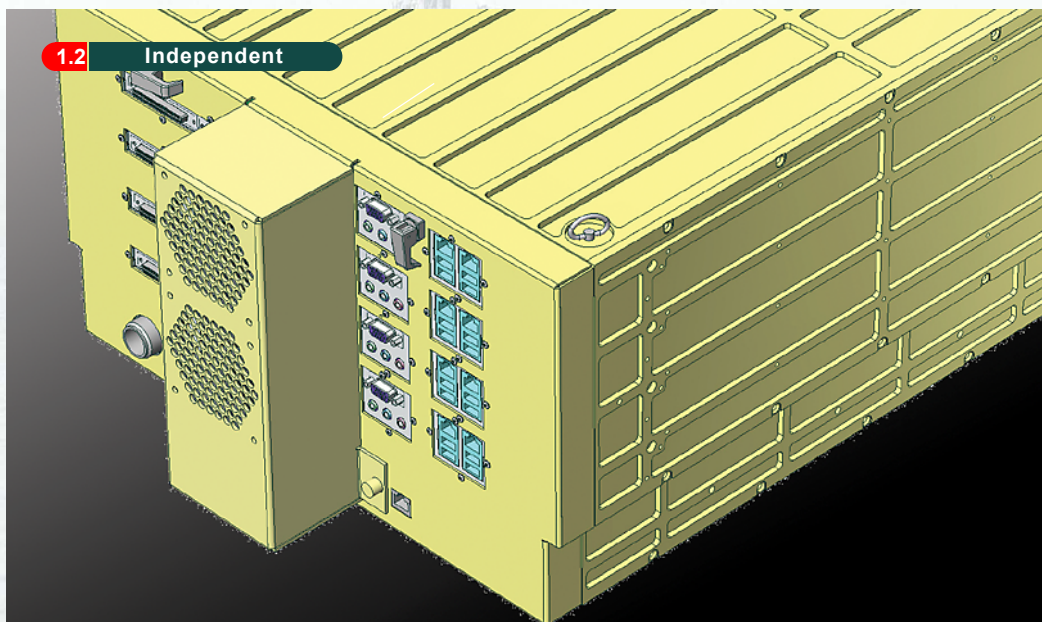


- *Hot swappable Sealed Computer Modules (SCM) and Disk modules*
- *Mix & match platforms and OS's*

The chassis can be quickly populated with SCM's and hard drives, and can be mixed and matched with Intel and Sun motherboards using IDE and SCSI hard drives.

Each hot pluggable computer and its dedicated disk module is environmentally sealed against sand and dust, effectively reducing maintenance and increasing reliability and system life.

1.2 Independent



- *Independent Stand Alone Systems*

Four physically and logically separate computers enable different software applications to run independently.

Each computer has its own dedicated TranzPak 7 disk module, its own external I/O connectors, and shared access to support peripherals.

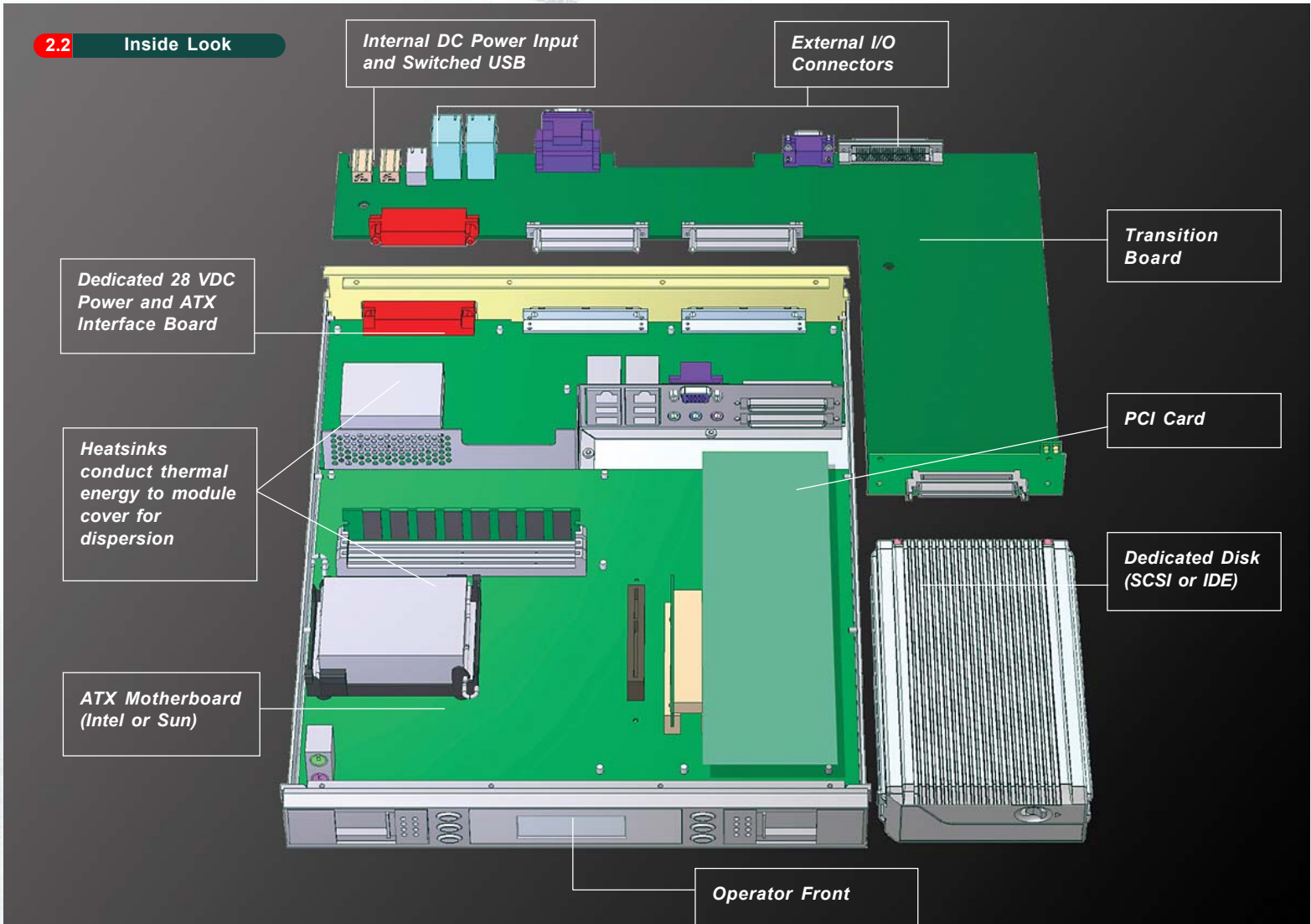
Each computer has two independent USB busses that are matrix-switched to the array of USB peripherals.

Component Overview



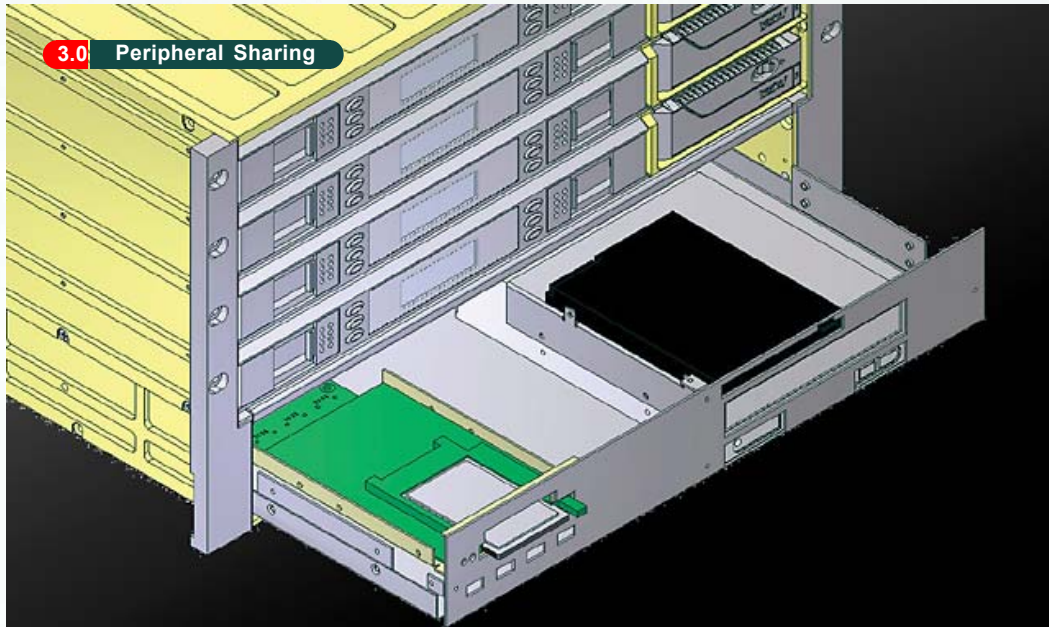
Hot swap TranzPak 7 Modules contain environmentally sealed IDE or SCSI hard drives.

Hot swap SCM's contain environmentally sealed COTS motherboards. Keep your configurations current with the latest Intel/Sun motherboards.



Each docking slot has a transition board that mates with the removable SCM and its dedicated TranzPak 7 disk module. Inside each SCM an interface board generates the required voltages and transitions the motherboard's I/O signals to the outside world.

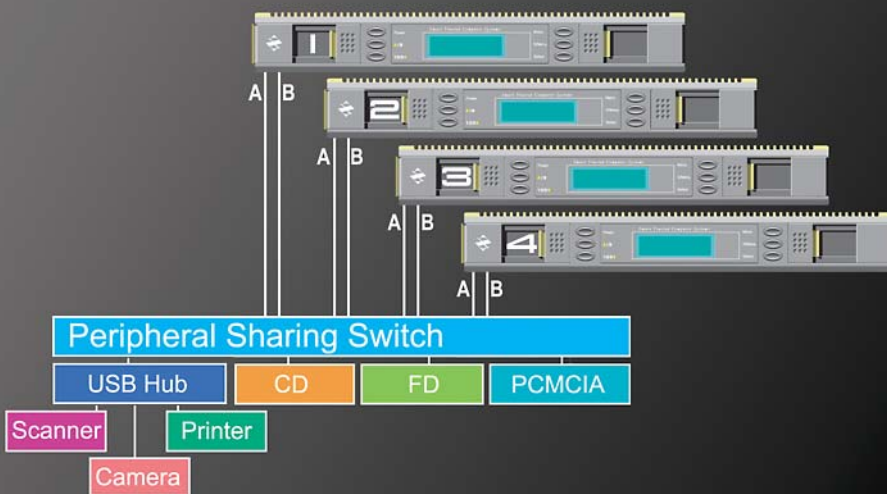
3.0 Peripheral Sharing



- *Shared Peripheral Clusters*

The Peripheral Device Layer organizes an array of the most popular USB devices (CDW, floppy, PCMCIA) and an external hub into four switchable clusters that can be individually and dynamically switched to any SCM.

3.1 Peripheral Cluster

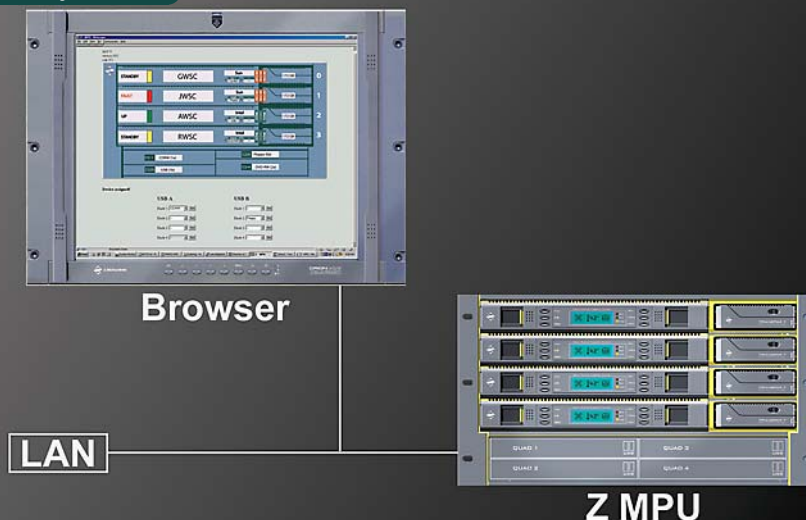


- *Maximum Flexibility*

Each SCM has two independent internal USB busses that are assignable to any of the four peripheral clusters.

Peripheral assignments can be made locally using the front panel or remotely via the SysAdmin network facility.

3.2 Remote SysAdmin



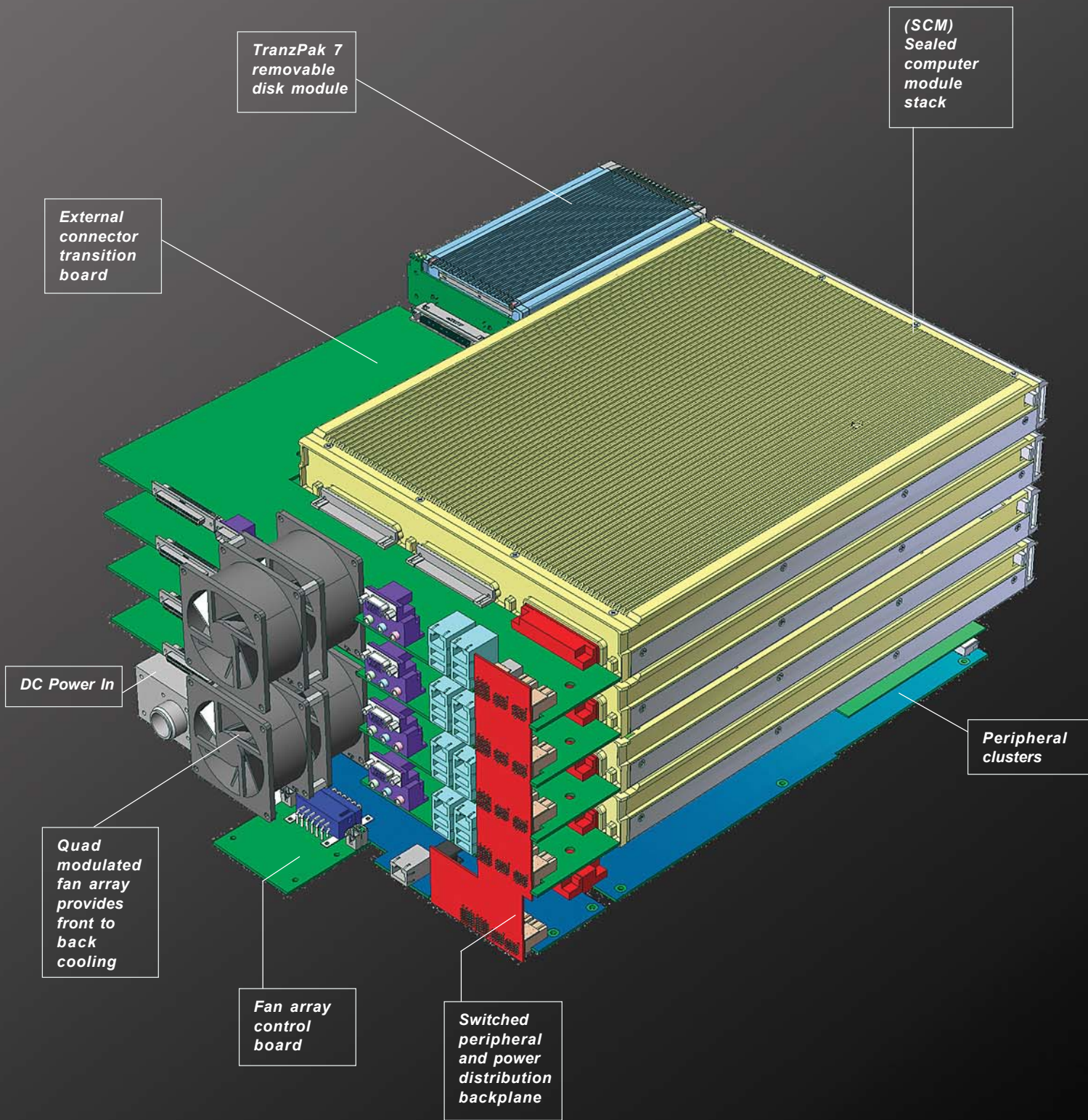
- *Web Based SysAdmin*

An embedded multiprocessor monitors system health and watch-dog activity.

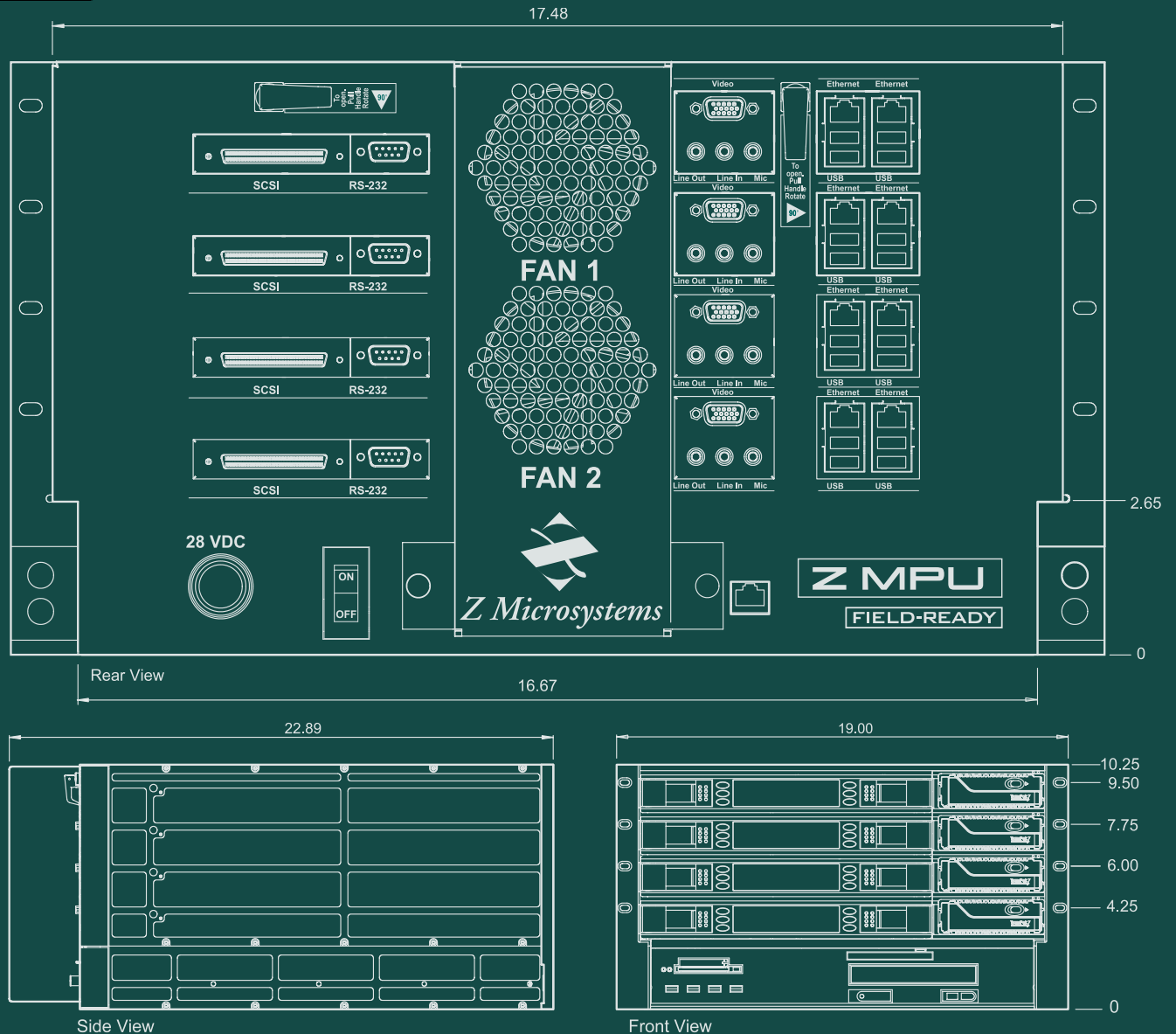
An HTML web page provides network capability for remote monitoring and system administration.

The ability to independently control power, reboot, monitor environmental performance, execute failover strategies, and administer system functions across the network allows the system to be located in "lights out" inaccessible locations.

FUTURE PROOF TECHNOLOGY INSERTION



7.0 Schematics



7.1 Specifications

Motherboards	Intel and Sun ATX form factor	Shipping Humidity	5% to 95% Non condensing
Storage Options	SCSI and/or IDE	Non Op. Altitude	-1,300 to 40,000 ft.
Dimensions	10.5" H x 17.5" W x 22" D	Operating Altitude	-1,300 to 10,000 ft.
Net Weight	110 lbs. (depending on device)	Operating Vibration	Wheeled and tracked vehicles, fixed and rotary wing aircraft.
Power			Mil-Std-167 (in transit case)
DC Voltage:	22 – 29 VDC	Shock Operating	Mil-Std-810E, Method 516, 30g's
DC Current:	18A @ 28VDC Typ.	Fungus	Non Nutrients / contaminants
AC Voltage:	85 – 264 VAC @ 47-63 Hz	Reliability	
AC Current :	5.6A @ 120VAC Typ.	Operating Life	10 years
Environmental		Maintainability	<20 minutes
Operating Temp.	5° to + 50° Celsius	Regulatory	
Non Op. Temp.	-40° to + 65° Celsius	Safety	UL 1950
Operating Humidity	5% to 95% Non condensing	EMI	FCC Class A
Non Op. Humidity	5% to 95% Non condensing	Quality/Workmanship	IPC / ISO 9002 and applicable section of MIL-HDBK-454

7.2 Options



Z MPU 2X



Z MPU 4X

Free Manuals Download Website

<http://myh66.com>

<http://usermanuals.us>

<http://www.somanuals.com>

<http://www.4manuals.cc>

<http://www.manual-lib.com>

<http://www.404manual.com>

<http://www.luxmanual.com>

<http://aubethermostatmanual.com>

Golf course search by state

<http://golfingnear.com>

Email search by domain

<http://emailbydomain.com>

Auto manuals search

<http://auto.somanuals.com>

TV manuals search

<http://tv.somanuals.com>