

Instruction  
booklet

Manual  
de  
instruções

Návod  
k použití

Οδηγίες  
εγχειρίδιο

Electric  
hob

Fogão  
eléctrico

Elektrická  
varná deska

Ηλεκτρικές  
εστίες

ZES 646

## **Thank you for selecting our appliance**

We wish you lots of enjoyment with your new appliance and we hope that you will consider our brand again when purchasing household appliances. Please read this user manual carefully and keep it throughout the product life cycle as a reference document. The user manual should be passed on to any future owner of the appliance.

## Contents

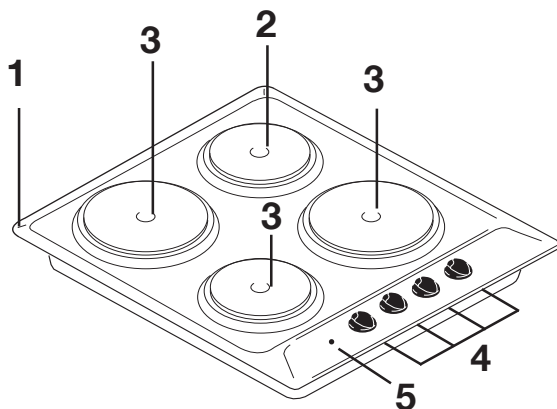
### For the User

Description of the hob .....	3
Important safety information .....	4
Before the first use of the appliance .....	6
Operation .....	6
Maintenance and Cleaning .....	10
Something not working? .....	11
Service and original spare parts .....	19
European guarantee .....	21

### For the Installer

Electrical connections .....	13
Installation .....	16
Building In .....	18

## Description of the hob



1. Hob top
2. Rapid hotplate - 1500 W - 145 mm dia.
3. Rapid hotplate - 2000 W - 180 mm dia.
4. Control knobs
5. Mains On indicator light



## Important safety information

**These warnings are provided in the interest of safety. You MUST read these warnings carefully before installing or using the hob.**

### Installation

- It is most important that this instruction book should be retained with the appliance for future reference. Should the appliance be sold or transferred, always ensure that the book is left with the appliance in order that the new owner can get to know the functions of the appliance and the relevant warnings.
- Before carrying out any operation, make sure the appliance is DISCONNECTED from the power supply.
- Remove all packaging before using the hob.
- After unpacking the appliance, make sure it is not damaged and that the power cable is in perfect condition. Otherwise, contact the dealer before using the appliance.
- The Manufacturer declines any liability if the accident-prevention regulations are not respected.

### People safety

- This appliance must only be used by adults. Make sure children do not play with the appliance or touch the controls.
- This appliance is not intended for use by children or other persons whose physical, sensory or mental capabilities or lack of experience and knowledge prevents them from using the appliance safely without supervision or instruction by a responsible person to ensure that they can use the appliance safely.

- The exposed parts of this appliance become hot during cooking and remain so for some time even after the appliance is turned off. Keep children away until the appliance has cooled.

### During use


- This product is designed for non-professional home use, for cooking food. Do not use it for any other purpose.
- Modifying or attempting to change the characteristics of this product is hazardous.
- Keep the appliance clean. Food residuals can create the risk of fire.
- In case of faults, never try to repair the appliance on your own. Repairs carried out by unqualified persons can cause damage and accidents. Firstly, consult this handbook. If you do not find the necessary information, contact the nearest Service Centre. Assistance for this appliance must be carried out by an authorised Technical Service Centre. Always demand the use of original spare parts.
- After using the appliance, make sure all the controls are in the "CLOSED" or "OFF" position.
- Do not use steam or steam appliances to clean the equipment.
- When using a power outlet near this appliance, make sure the cords of any electrical appliances being used do not touch it and are far enough away from its hot parts.



## Environmental information

- All the materials used are environmentally friendly and recyclable. Please make your contribution to safeguarding the environment by using the special differentiated waste collection channels.
- Appliances that are no longer used or unusable are not worthless waste. Through ecological disposal, various materials used in manufacturing your appliance can be recovered.
- Find out about the possibilities of disposal from your specialised dealer or local Council.
- When disposing of an old appliance, make it unusable, by cutting off the cable.



- The symbol  on the product or on its packaging indicates that this product may not be treated as household waste. Instead it shall be handed over to the applicable collection point for the recycling of electrical and electronic equipment. By ensuring this product is disposed of correctly, you will help prevent potential negative consequences for the environment and human health, which could otherwise be caused by inappropriate waste handling of this product. For more detailed information about recycling of this product, please contact your local city office, your household waste disposal service or the shop where you purchased the product.

**Keep this instruction book for future reference and ensure it is passed on to any new owner.**

## Guide to Use the instructions

The following symbols will be found in the text to guide you throughout the Instructions:



Safety Instructions



Step by step instructions for an operation



Hints and Tips



Environmental information



This appliance is manufactured according to the following EEC directives:

**2006/95** EEC - **93/68** EEC -  
**89/336** EEC - **90/396** EEC,  
current edition.

## Before the first use of the appliance

**⚠ Before using the appliance remove all packaging, including the advertising labels and any protective film.**

**☞** When using the hob for the first time:

- 1) place on all the plates a pan filled with some water;
- 2) switch the plates on for about 10 minutes at “maximum” position until water inside the pans boils;
- 3) then, turn the control knob to “minimum” and allow the plates to run for approximately 20 minutes;
- 4) open a window for ventilation.

**i** During this time, the plates may smoke a little and an unpleasant odour may be emitted. This is absolutely **normal** and it is caused by residues of manufacturing.

Once this operation is carried out, let the plates to cool down, then clean them with a soft cloth soaked in warm water.

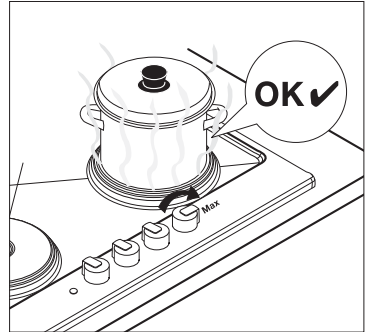


Fig. 1

## Operation

### Electric Hotplates

To switch on a hotplate, turn the relevant control knob anticlockwise to the required heat setting.

The control knob is numbered 1 - 6

- 0** - OFF
- 1** - Minimum
- 6** - Maximum

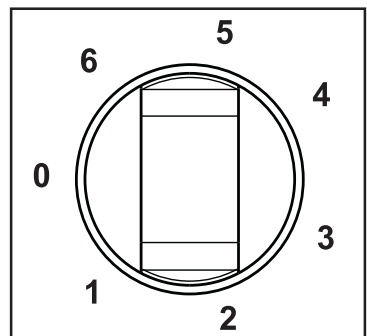


Fig. 2

## Rapid Hotplates

The rapid hotplates are indicated by a red dot, and will heat up more quickly than a normal plate. As the red dots are painted on the plate, they may deteriorate during use and even disappear completely after a period of time. **This will not affect the performance of the hob.**

**i** It is important to note that the plate may smoke and produce a slightly unpleasant odour when used for the first time. This is quite normal and will disappear after a short while.

## Electric Hotplates Control Light

The Hotplates Control Light will come on each time a cooking zone is switched on.

Suggestions for the correct setting of the plates are given in the following table.

OFF	<b>0</b>	
Very Gentle	<b>1</b>	To keep food warm To melt butter and chocolate.
Gentle	<b>2</b>	To prepare cream-sauces, stews and milk puddings or to fry eggs.
Slow	<b>3</b>	Dried vegetables, frozen food, fruit, boiling water or milk.
Medium	<b>4</b>	Boiled potatoes, fresh vegetables, pâtés, soups, broths, pancakes or fish.
High	<b>5</b>	Larger stews, meat roll, fish, omelettes, steaks.
Fast	<b>6</b>	Steaks, escalopes and frying.

## For the correct use of the hot-plates

For better efficiency of the electric hotplates and lower electricity consumption:

- switch on the hotplates only after placing the pots on them.
- For cooking on the electric hotplates it is advisable to use triple-bottom pots of the same width as the cooking zone, or slightly larger (Fig. 3).
- Do not use wet pots on the electric hot-plates, and do not place wet lids on the switched off hot-plates, because the moisture and condensate could damage them.
- If possible, place lids on the pots. Copper or aluminium pots and pans are not very suitable for cooking on the electric hotplates, because they can leave residues, stains and marks. Likewise, meat grills in cast iron or other alloys are not suitable for cooking on the electric hotplates, because they cause dangerous accumulation of heat.

Also, the rough bottom can scratch the cooktop and the material can stain it. Possibly choose a meat grill in stainless steel with triple bottom.

The use of glass containers is also inadvisable, because they usually have very uneven bottoms. Never use plastic containers.

- Do not place unstable or deformed pots on the hotplates because they could tip over or spill their contents and thus cause accidents.
- Pots must not enter the control zone.
- Make sure boiling liquids do not spill onto the hotplates.

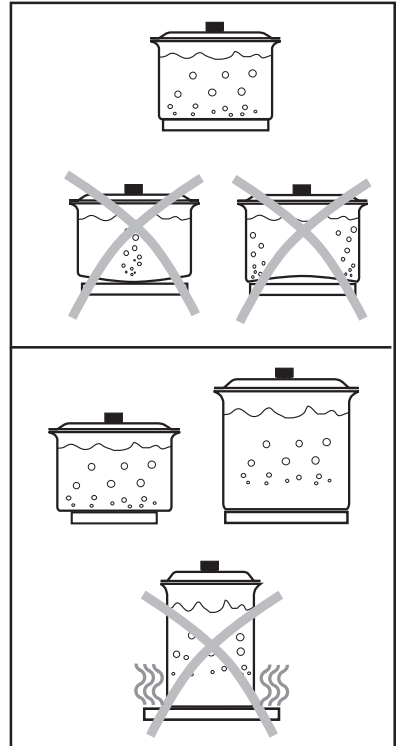


Fig. 3



- Do not leave a hotplate switched on without a pot or with an empty pot.
- Do not place a pot on a cold hotplate or leave it to cool on a switched-off hotplate. This could cause damaging condensation to form.
- For faster cooking and to avoid heat dispersion, it is advisable to use flat-bottomed pots, to ensure maximum contact of the bottoms with the cooking zone.
- Take care never to lean or reach over a hot electric plate. Always point pan handles inward or over the work surface next to the hob to avoid accidentally knocking over a pan as you pass by.
- Do not use the hotplate to warm the room.



**Take care when frying food in hot oil or fat, as the overheated splashes could easily ignite.**



**The stainless steel can become tarnished if excessively heated. Therefore prolonged cooking with potstones, earthenware pans or cast-iron plates is inadvisable. Also, do not use aluminium foil to protect the top during use.**

## Maintenance and Cleaning

**⚠ Before any maintenance or cleaning can be carried out, you must DISCONNECT the hob from the electricity supply.**

**⚠ This appliance cannot be cleaned with steam or with a steam cleaning machine.**

The hob is best cleaned whilst it is still warm, as spillage can be removed more easily than if it is left to cool.

### The Hob Top

Regularly wipe over the hob top using a soft cloth well wrung out in warm water to which a little washing up liquid has been added. Avoid the use of the following:

- household detergent and bleaches;
- impregnated pads unsuitable for non-stick saucepans;
- steel wool pads;
- bath/sink stain removers.

Should the hob top become heavily soiled, the following products are recommended:

- For stainless steel hobs use a proprietary stainless steel cleaner.
- For other hobs use Hob Brite or Bar Keepers Friend.

The control knobs may be removed by carefully pulling them upward for easier cleaning.

**⚠ Do not leave acid or alkaline substances (e.g. vinegar, salt, lemon juice, etc.) on the cooktop.**

### The Hotplates

Spills onto the actual plate should be removed using warm water and a soft brush, nylon or plastic scourer. To keep the plates looking as new, hotplate conditioner can be purchased from most hardware stores, e.g. "4 Hob" by HomeCare Products (follow the manufacturer's instruction for use).

Alternatively, wipe the plates with a drop of olive oil on a kitchen towel to avoid rust. It is important to note that the plate will smoke a little and produce a slightly unpleasant odour when next used.

Stainless steel parts: the stainless steel spill rings may become straw coloured with use. Use a proprietary stainless steel cleaner to remove this straw discolouration. This also applies to the area around the hotplates on stainless steel hobs.

**i** Failure to clean and condition hotplates may lead to rust and corrosion forming on the surface.

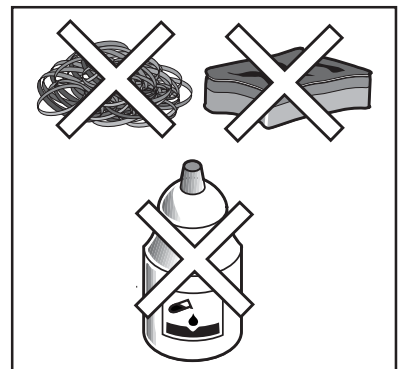


Fig. 4

## Something not working?

If the hob is not working correctly, please carry out the following checks before contacting your local Service Force Centre.

**IMPORTANT:** If you call out an engineer to a fault listed below, or to repair a fault caused by incorrect use or installation, a charge will be made even if the appliance is under guarantee.

SYMPTOM	SOLUTION
<ul style="list-style-type: none"> <li>■ The plate does not heat up.</li> </ul>	<ul style="list-style-type: none"> <li>◆ Check that the unit is plugged in and the electrical supply is switched on.</li> <li>◆ Check the mains fuse has not blown.</li> <li>◆ Check the correct control knob has been turned.</li> </ul>
<ul style="list-style-type: none"> <li>■ The plate is not giving satisfactory results.</li> </ul>	<ul style="list-style-type: none"> <li>◆ Check the plate is clean and dry</li> <li>◆ Check the cooking pan is the correct size for the plate.</li> <li>◆ Check the cooking pan has a flat bottom.</li> <li>◆ Check the setting is correct for the type of cooking.</li> </ul>

If after all these checks, your hob still does not operate correctly, contact your local Service Force Centre.

Please note that it will be necessary to provide proof of purchase for any in-guarantee service calls.

**In-guarantee customers should ensure that the above checks have been made as the engineer will make a charge if the fault is not a mechanical or electrical breakdown.**

## Instructions for the Installer

### Engineers technical data

#### Heating elements ratings

Rapid front left hotplate  
Ø 180 mm 2000 W

Rapid back left hotplate  
Ø 145 mm 1500 W

Rapid front right hotplate  
Ø 145 mm 1500 W

Rapid back right hotplate  
Ø 180 mm 2000 W

Total rating 7000 W

Voltage tension 230 V~ 50 Hz

#### Cut out dimensions

Width: 550 mm



Depth: 470 mm

#### Overall dimensions

Width: 580 mm

Depth: 500 mm


## Electrical connections

-  **Any electrical work required to install this hob should be carried out by a qualified electrician or competent person, in accordance with the current regulations.**
-  **THIS HOB MUST BE EARTHED.**

The manufacturer declines any liability should these safety measures not be observed.

Before switching on, make sure the electricity supply voltage is the same as that indicated on the hob rating plate. The rating plate is located on the bottom of the hob. A copy is attached on the back cover of this booklet.

The hob is supplied without supply cord. A 3 core flexible supply cord must be fitted, in accordance with the specification given in the relevant tables.

-  1) Remove the mains terminal cover plate from the underside of the hob, to expose the mains terminal block.
- 2) Loosen the two cable clamp screws and lift the top section of the clamp enough to allow the cable to be passed through.
- 3) Connect the red (live) wire to the terminal which is marked with the number **1**.
- 4) Connect the black (neutral) wire to the terminal which is marked with the number **4**.
- 5) After fitting a green or yellow/green sleeve over the bare copper wire (earth wire), connect the exposed end to the terminal which is marked with

the earth symbol  or with the number **5**.


### NOTE:

The earth wire should be about 2 cm. longer than the live and neutral wires (Fig. 5).

- 6) Secure the cable by means of the clamp screws and refit the terminal block cover.

The hob should be connected to a double pole switch with a minimum gap of 3 mm. between the switch contacts and of a type suitable for the required load in compliance with the current electric regulations. The switch should be sited within 2m of the hob and be easily accessible upon completion of the installation.

The switch must not break the yellow and green earth cable at any point.

-  **Ensure that the hob supply cord does not come into contact with surfaces with temperatures higher than 50 deg. C.**

**The Manufacturer declines any liability if the accident-prevention regulations are not respected.**

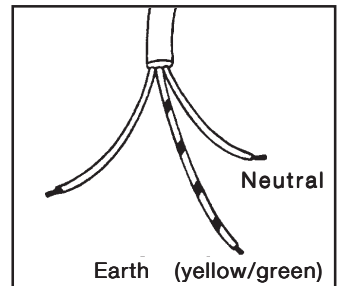


Fig. 5




**The replacement of electric cable must be carried out exclusively by the service force centre or by personnel with similar competencies, in accordance with the current regulations.**

## Electrical connection to the terminal box

The appliance is fitted with a five pole terminal box whose cables are predisposed for a 230 V monophase function (Fig. 6).

In case of a different voltage, carry out the connection as shown in the table "CHOICE OF CONNECTION CABLE AND FUSE GUAGE" below.

The earth wire should be connected to the terminal marked by the sign .

After having connected the wire to the terminal secure it with a cable clip.

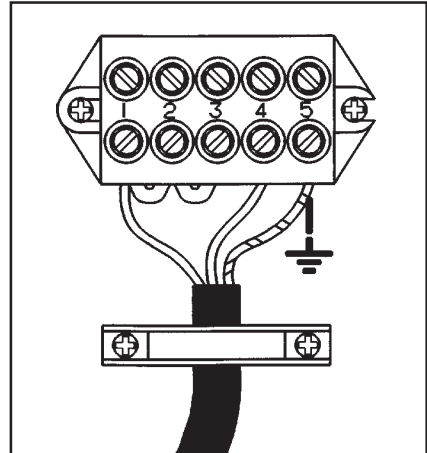


Fig. 6


## Supply Cable Specifications

Min. size Cable / flex	Cable / flex type	Fuse
2.5 mm <sup>2</sup>	H05 V2V2-F (T90)	30 A

## CHOICE OF CONNECTION CABLE AND FUSE GUAGE (in Amps)


Type of connection	Monophase	Triphase	Triphase Y 3f. + neutre	Biphase Y 2f. + neutre
Connection cable with terminal box				
Network tension	230 V ~	230 V 3 ~	400 V 3N ~	400 V 2N ~
Heating element tension	230 V	230 V	230 V	230 V
All-electric appliance	3 X 2,5 mm <sup>2</sup>	4 X 1,5 mm <sup>2</sup>	5 X 1,5 mm <sup>2</sup>	4 X 1,5 mm <sup>2</sup>
	24 A	13 A	13 A	13 A

## Installation

 The hob must be installed according to the instructions supplied.

Please, ensure that, once the hob is installed, it is easily accessible for the engineer in the event of a breakdown.


### When the hob is first installed

 Once the hob has been installed, it is important to remove any protective materials, which were put on in the factory.

**The manufacturer will not accept liability, should the above instructions or any of the other safety instructions incorporated in this book be ignored.**

The cooktop can be installed in a cabinet having an opening of the dimensions given in Fig. 7. The opening for fitting must be at least 55 mm from the back wall. Possible right or left side walls higher than the cooktop must be at least 100 mm from the opening in the top.

### Fitting the Hob into the worktop

 Carry out the building in of the hob as follows:

- Position the relevant sealings, supplied, on the edge of the opening predisposed for installation, taking care that the edges meet without overlapping;
- Place the hob in the cut out, taking care that it is centred.

Dimensions are given in mm.

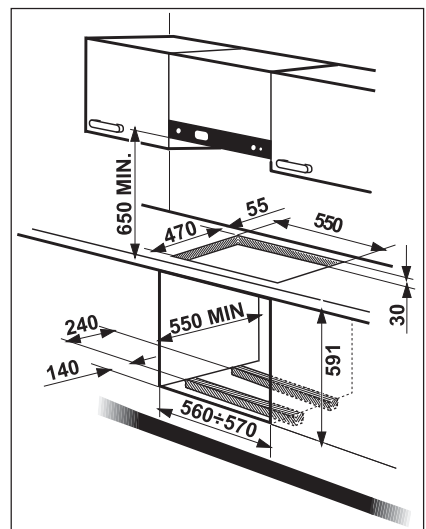


Fig. 7



- Fix the hob with the relevant fixing clamps (Fig. 8).

The edge of the hob forms a double seal which prevents the ingress of liquids.

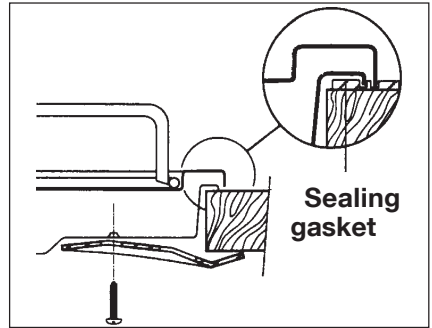


Fig. 8

## Building In

### On base cabinet with door

Proper arrangements must be ensured in the construction of the cabinet, to prevent possible contact with the overheated housing of the top during operation. The recommended solution for avoiding this problem is illustrated in fig. 9.

The panel under the top must be easily removed to allow securing and release of the top in case of technical service intervention.

### On base cabinet with oven

The hob recess dimension must comply with the indication given in fig. 7 and must be provided with brackets to allow a continuous supply of air.

Two possible solutions for preventing overheating are described in fig. 10 and 11.

The electrical connection of the hob and of the oven must be carried out separately, both for safety reasons and to allow the oven to be easily taken off the unit.

Wall units or extractor hoods must be at least 650 mm from the cooktop (Fig. 7).

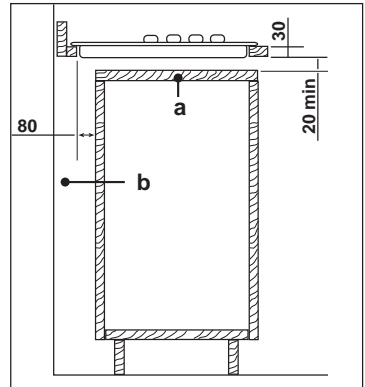


Fig. 9

- a) removable cabinet panel
- b) possible space useful for connections

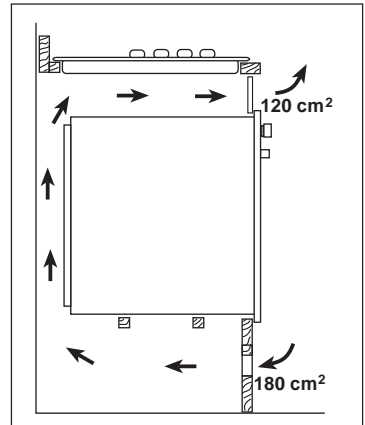


Fig. 10

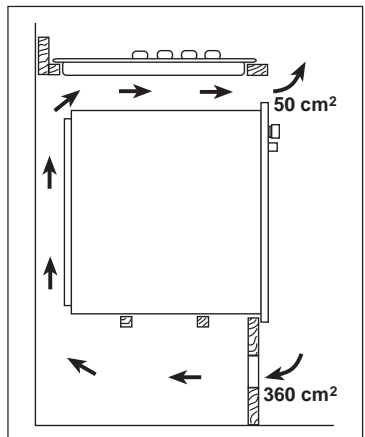


Fig. 11

## Service and original spare parts

This appliance, before leaving the factory, has been tested and studied by many experts and specialists, in order to give you the best results.

Any repair work which needs to be carried out should be done with the utmost care and attention.

For this reason we recommend that for any problem you contact the dealer who sold it to you, or our nearest authorized Service Centre, specifying the nature of the problem, the appliance model (Mod.), the product number (Prod. No.) and the serial number (Ser. No.) marked on the identification plate supplied in the injectors kit.

Original spareparts, certified by the product manufacturer and carrying this symbol are only available at our Service Centre and authorized spareparts shops.




## European guarantee

This appliance is guaranteed by Electrolux in each of the countries listed at the back of this user manual, for the period specified in the appliance guarantee or otherwise by law. If you move from one of these countries to another of the countries listed below the appliance guarantee will move with you subject to the following qualifications:

- The appliance guarantee starts from the date you first purchased the appliance which will be evidenced by production of a valid purchase document issued by the seller of the appliance.
- The appliance guarantee is for the same period and to the same extent for labour and parts as exists in your new country of residence for this particular model or range of appliances.
- The appliance guarantee is personal to the original purchaser of the appliance and cannot be transferred to another user.
- The appliance is installed and used in accordance with instructions issued by Electrolux and is only used within the home, i.e. is not used for commercial purposes.
- The appliance is installed in accordance with all relevant regulations in force within your new country of residence.

The provisions of this European Guarantee do not affect any of the rights granted to you by law.

www.electrolux.com

		
Albania	+35 5 4 261 450	Rr. Pjeter Bogdani Nr. 7 Tirane
Belgique/België/Belgien	+32 2 363 04 44	Bergensesteenweg 719, 1502 Lembeek
Česká republika	+420 2 61 12 61 12	Budějovická 3, Praha 4, 140 21
Danmark	+45 70 11 74 00	Sjællandsgade 2, 7000 Fredericia
Deutschland	+49 180 32 26 622	Muggenhofer Str. 135, 90429 Nürnberg
Eesti	+37 2 66 50 030	Pärnu mnt. 153, 11624 Tallinn
España	+34 902 11 63 88	Carretera M-300, Km. 29,900 Alcalá de Henares Madrid
France	www.electrolux.fr	
Great Britain	+44 8705 929 929	Addington Way, Luton, Bedfordshire LU4 9QQ
Hellas	+30 23 10 56 19 70	4, Limnou Str., 54627 Thessaloniki
Hrvatska	+385 1 63 23 338	Slavonska avenija 3, 10000 Zagreb
Ireland	+353 1 40 90 753	Long Mile Road Dublin 12
Italia	+39 (0) 434 558500	C.so Lino Zanussi, 26 - 33080 Porcia (PN)
Latvija	+37 17 84 59 34	Kr. Barona iela 130/2, LV-1012, Riga
Lietuva	+370 5 2780609	Ozo 10A, LT 08200 Vilnius
Luxembourg	+352 42 431 301	Rue de Bitbourg, 7, L-1273 Hamm
Magyarország	+36 1 252 1773	H-1142 Budapest XIV, Erzsébet királyné útja 87
Nederland	+31 17 24 68 300	Vennootsweg 1, 2404 CG - Alphen aan den Rijn
Norge	+47 81 5 30 222	Risløkkvn. 2 , 0508 Oslo
Österreich	+43 18 66 400	Herziggasse 9, 1230 Wien
Polska	+48 22 43 47 300	ul. Kolejowa 5/7, Warszawa
Portugal	+35 12 14 40 39 39	Quinta da Fonte - Edificio Gonçalves Zarco - Q 35 -2774-518 Paço de Arcos
Romania	+40 21 451 20 30	Str. Garii Progresului 2, S4, 040671 RO
Schweiz - Suisse - Svizzera	+41 62 88 99 111	Industriestrasse 10, CH-5506 Mägenwil
Slovenija	+38 61 24 25 731	Gerbičeva ulica 98, 1000 Ljubljana
Slovensko	+421 2 43 33 43 22	Electrolux Slovakia s.r.o., Electrolux Domáce spotrebiče SK, Seberínho 1, 821 03 Bratislava
Suomi	www.electrolux.fi	
Sverige	+46 (0)771 76 76 76	Electrolux Service, S:t Göransgatan 143, S-105 45 Stockholm
Türkiye	+90 21 22 93 10 25	Tarlabası caddesi no : 35 Taksim İstanbul
Россия	+7 495 937 7837	129090 Москва, Олимпийский проспект, 16, БЦ "Олимпик"

## **Bem-vindo ao mundo Electrolux**

Obrigado por ter escolhido adquirir um produto de primeira classe da Electrolux, que esperamos lhe traga muito prazer no futuro. A ambição da Electrolux é oferecer uma vasta variedade de produtos de qualidade que tornem a sua vida ainda mais confortável. Pode encontrar alguns exemplos na capa deste manual. Tire alguns minutos para estudar este manual para que possa começar a tirar partido dos benefícios do seu novo aparelho. Nós prometemos que lhe irá proporcionar uma experiência superior e confortável como utilizador. Boa sorte!

## Índice

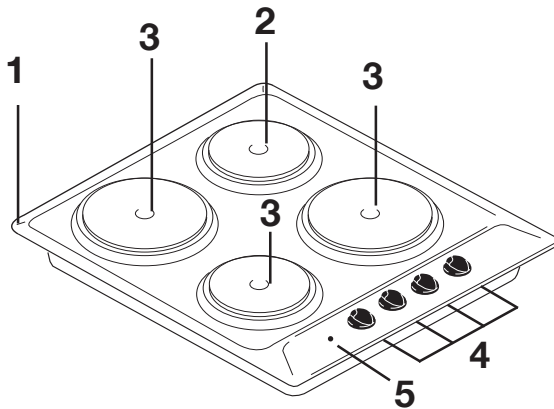
### Para o utilizador

Descrição do fogão .....	23
Informações de segurança importantes .....	24
Antes da primeira utilização do aparelho .....	26
Funcionamento .....	26
Limpeza e manutenção .....	30
Algo não funciona? .....	31
Assistência e peças sobresselentes originais .....	39
Garantia/Assistência técnica .....	40
Garantia europeia .....	41

### Para o instalador

Ligações eléctricas .....	33
Instalação .....	36
Encastrar .....	38

## Descrição do fogão



1. Superfície do fogão
2. Disco rápido - 1500 W - 145 mm diâm.
3. Disco rápido - 2000 W - 180 mm diâm.
4. Botões de controlo
5. Luz indicadora de rede ligada



## Informações de segurança importantes

**Estes avisos destinam-se à sua segurança. LEIA atentamente estes avisos antes de instalar ou utilizar o fogão.**

### Instalação

- É muito importante que guarde este manual de instruções com o aparelho para consultas futuras. Se a máquina for vendida ou transferida, certifique-se de que o manual acompanha sempre a máquina, para que o novo proprietário tome conhecimento do funcionamento do aparelho e dos respectivos avisos.
- Qualquer intervenção deve ser efectuada com o aparelho DESLIGADO da corrente eléctrica.
- Retire todo o material da embalagem antes de utilizar o fogão.
- Depois de desembalar o aparelho, certifique-se de que não está danificado e que o cabo de alimentação está em perfeitas condições. Se não for o caso, comunique-o à loja onde comprou o aparelho antes de prosseguir com a instalação.
- O fabricante declina qualquer responsabilidade se as medidas de prevenção contra acidentes não forem observadas.

### Segurança pessoal

- Este aparelho só deve ser usado por adultos. Certifique-se de que as crianças não tocam nos comandos ou brincam com o aparelho.
- Este aparelho não deve ser utilizado por crianças ou outras pessoas cujas capacidades físicas, sensoriais ou mentais ou falta de experiência e conhecimento não as deixe utilizar o aparelho sem a supervisão ou instruções de uma pessoa responsável, que garanta que estas podem utilizar o aparelho em segurança.

- As partes expostas deste aparelho ficam quentes durante a cozedura e permanecem assim durante algum tempo, mesmo depois do aparelho ter sido desligado. Mantenha as crianças afastadas até o aparelho arrefecer.

### Durante a utilização


- Este produto foi concebido para uma utilização doméstica não profissional, para cozinhar comida. Não o utilize para fins diferentes.
- É perigoso modificar ou tentar alterar as características deste produto.
- Mantenha o aparelho limpo. Os resíduos de alimentos podem causar risco de incêndio.
- Em caso de avarias, nunca tente reparar o aparelho pessoalmente. As reparações efectuadas por pessoal não qualificado podem causar danos e acidentes. Antes de mais, consulte o conteúdo deste manual. Caso não encontre a informação de que necessita, contacte o Centro de Assistência mais próximo. A assistência a este aparelho deverá ser feita num Centro de Assistência Técnica autorizado. Exija sempre a utilização de peças originais.
- Depois de usar o aparelho, certifique-se de que todos os comandos estão na posição fechada ou desligada.
- Não use vapor ou aparelhos a vapor para limpar o equipamento.



- Quando usar uma tomada de potência próximo deste aparelho, certifique-se de que os cabos de quaisquer aparelhos eléctricos usados não tocam nele e que estão suficientemente afastados das peças quentes.

## **Informações ambientais**

- Todos os materiais usados são ecológicos e recicláveis. Ajude o meio ambiente utilizando os devidos centros de recolha selectiva.
- Os aparelhos que já não são usados ou que estão inutilizáveis não são lixo sem valor. Através da eliminação ecológica, vários materiais usados no fabrico do seu aparelho podem ser recuperados.
- Descubra as possibilidades do tratamento de resíduos junto do seu revendedor autorizado ou das autoridades competentes.
- Quando eliminar um aparelho velho, inutilize-o cortando o cabo.

- O símbolo  no produto ou na embalagem indica que este produto não pode ser tratado como lixo doméstico. Em vez disso, deve ser entregue ao centro de recolha selectiva para a reciclagem de equipamento eléctrico e electrónico. Ao garantir uma eliminação correcta do produto, evitará possíveis consequências negativas para o meio ambiente e para a saúde pública, que poderiam resultar de um tratamento inadequado dos resíduos deste produto. Para mais informações sobre a reciclagem deste produto, contacte os serviços municipais locais, o serviço de recolha de lixo ou a loja onde adquiriu o aparelho.

**Guarde este manual de instruções para consultas futuras e certifique-se de que o entrega a um eventual novo proprietário.**

## **Guia para utilizar as instruções**

Os símbolos seguintes encontram-se no texto para o guiar através das instruções:



Instruções de segurança



Instruções de utilização passo a passo



Dicas e conselhos



Informações ambientais

**CE** Este aparelho foi fabricado de acordo com as seguintes directivas CEE:

**2006/95 CEE - 93/68 CEE - 89/336 CEE - 90/396 CEE,**  
edição actual.

## Antes da primeira utilização do aparelho



**Antes de usar o aparelho, retire a embalagem, incluindo as etiquetas de aviso e qualquer película protectora.**



Quando utilizar o fogão pela primeira vez:

- 1) coloque em todos os discos um recipiente com alguma água;
- 2) ligue os discos durante cerca de 10 minutos na posição “máxima” até que a água dentro dos recipientes comece a ferver;
- 3) de seguida, rode o botão de controlo para o “mínimo” e deixe os discos trabalhar durante cerca de 20 minutos;
- 4) abra uma janela para ventilação.



Durante este tempo, os discos podem deitar um pouco de fumo e pode sentir-se um odor desagradável. Isto é absolutamente **normal** e é provocado por resíduos de fabrico.

Uma vez executada esta operação, deixe os discos arrefecerem, depois limpe-os com um pano macio embebido em água quente.

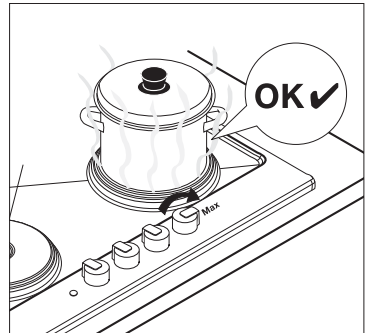


Fig. 1

## Funcionamento

### Discos eléctricos

Para ligar um disco, rode o respectivo botão de controlo para a esquerda para a regulação necessária.

O botão de controlo é numerado 1 - 6

**0** - Desligado

**1** - Mínimo

**6** - Máximo

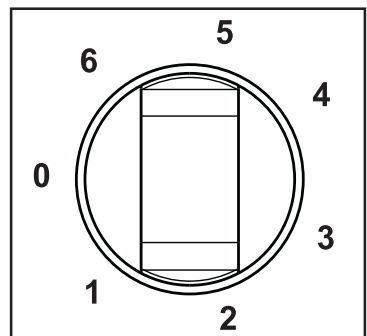


Fig. 2

## Discos rápidos

Os discos rápidos estão indicados com um ponto vermelho e aquecem mais rapidamente do que um disco normal. Como os discos vermelhos estão pintados no disco, podem deteriorar-se durante a utilização e até desaparecer completamente após algum tempo. **Isto não afecta o desempenho do fogão.**

- i** É importante salientar que o disco pode deitar fumo e produzir um odor ligeiramente desagradável quando usado pela primeira vez. Isto é normal e desaparece após algum tempo.

## Luz de controlo dos discos eléctricos

A luz de controlo dos discos eléctricos acende-se sempre que um disco é ligado.

Na tabela seguinte encontram-se sugestões para a regulação correcta dos discos.

Desligado	<b>0</b>	
Muito suave	<b>1</b>	Para manter os alimentos quentes Para derreter manteiga e chocolate.
Suave	<b>2</b>	Para preparar molhos cremosos, guisados e pudins de leite ou para fritar ovos.
Lento	<b>3</b>	Legumes secos, alimentos congelados, fruta, água a ferver ou leite.
Médio	<b>4</b>	Batatas cozidas, legumes frescos, patés, sopas, caldos, panquecas ou peixe.
Alto	<b>5</b>	Guisados maiores, rolo de carne, peixe, omeletes, bifés.
Rápido	<b>6</b>	Bifés, escalopes e fritos.

## Para a utilização correcta dos discos

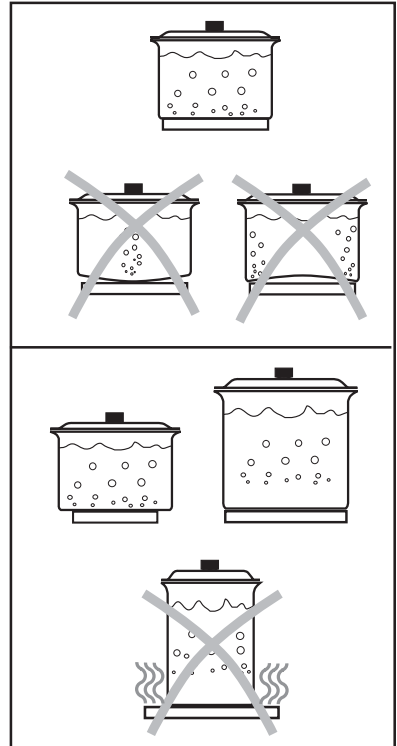
Para uma maior eficácia dos discos eléctricos e um menor consumo de electricidade:

- ligue os discos só depois de colocar os recipientes.
- Para cozinhar nos discos eléctricos, é aconselhável utilizar recipientes de fundo triplo da mesma largura do disco, ou ligeiramente maiores (Fig. 3).
- Não utilize recipientes molhados nos discos eléctricos e não coloque tampas molhadas nos discos desligados, já que a humidade e os condensados podem danificá-los.
- Se possível, coloque tampas nos recipientes. Tachos e panelas de cobre ou alumínio não são muito adequados para cozinhar nos discos eléctricos, já que podem deixar resíduos, manchas e marcas. Da mesma forma, os grelhadores em ferro fundido ou outras ligas não são adequados para cozinhar nos discos eléctricos, já que provocam uma acumulação perigosa de calor.

O fundo áspero pode ainda riscar a superfície do fogão e o material pode manchá-la. Se possível, escolha um grelhador de aço inoxidável com fundo triplo.

A utilização de recipientes de vidro também não é aconselhada, já que normalmente têm fundos muito irregulares. Nunca use recipientes de plástico.

- Não coloque recipientes instáveis ou deformados nos discos, já que podem virar ou derramar o conteúdo, provocando acidentes.
- Os recipientes não devem entrar na zona de controlo.



**Fig. 3**

- Certifique-se de que os líquidos a ferver não são derramados nos discos.
- Não deixe um disco ligado sem um recipiente ou com um recipiente vazio.
- Não coloque um recipiente num disco frio nem o deixe arrefecer num disco desligado. Isto pode provocar a formação de condensação.
- Para uma cozedura mais rápida e para evitar a dispersão de calor, é aconselhável utilizar recipientes com fundo plano, para garantir o máximo contacto dos fundos com a zona de cozedura.
- Tenha cuidado para não se debruçar sobre um disco quente. Aponte sempre as pernas para dentro ou para a superfície de trabalho junto ao fogão para evitar embater acidentalmente num recipiente quando passar.
- Não utilize o disco para aquecer o compartimento.



**Tenha cuidado quando fritar alimentos em óleo quente ou gordura, já que os salpicos quentes podem facilmente arder.**



**O aço inoxidável, quando submetido a um aquecimento excessivo, pode escurecer. Como tal, não é aconselhável proceder a uma cozedura prolongada com pedras de grelhar, caçarolas de terracota ou grelhadores em ferro fundido. Também deve evitar-se o uso de folhas de alumínio para proteger a superfície durante o seu funcionamento.**

## Limpeza e manutenção



**Antes de efectuar qualquer operação de limpeza ou manutenção, DESLIGUE o fogão da rede eléctrica.**



**O aparelho não pode ser limpo com vapor ou com uma máquina de limpeza a vapor.**

Convém limpar o fogão enquanto ainda estiver quente, já que os salpicos podem ser removidos mais facilmente do que se deixar arrefecer.

### A superfície do fogão

Limpe regularmente a superfície do fogão com um pano macio embebido em água quente com um pouco de detergente líquido. Evite a utilização do seguinte:

- lixívia e detergentes domésticos;
- esfregões impregnados não indicados para tachos anti-aderentes;
- esfregões de palha-de-aço;
- detergentes para cozinha/casa de banho.

Se a superfície do fogão ficar muito suja, recomendamos os seguintes produtos:

- Para fogões de aço inoxidável, use um produto de limpeza específico para aço inoxidável.
- Para outros fogões, use Hob Brite ou Bar Keepers Friend.

Os botões de controlo podem ser removidos puxando-os cuidadosamente para cima para facilitar a limpeza.



**Não deixe substâncias ácidas ou alcalinas (por ex. vinagre, sal, sumo de limão, etc.) na superfície de cozedura.**

### Os discos

Retire os salpicos nos discos com água quente e uma escova macia ou um raspador de nylon ou plástico. Para manter os discos como novos, poderá adquirir um produto de manutenção específico para discos na maioria das lojas de ferragens, por ex. "4 Hob" da HomeCare Products (siga as instruções de utilização do fabricante).

Em alternativa, limpe os discos com um pouco de azeite num pano de cozinha para evitar ferrugem. É importante salientar que o disco deita um pouco de fumo e produz um odor ligeiramente desagradável na próxima vez que for usado.

Peças de aço inoxidável: os anéis de aço inoxidável podem ficar cor de palha com a utilização. Use um produto de limpeza específico para aço inoxidável para remover esta coloração. Isto aplica-se também à área em torno dos discos nos fogões de aço inoxidável.



**Se não efectuar a limpeza e manutenção dos discos, pode ocorrer a formação de ferrugem e corrosão na superfície.**

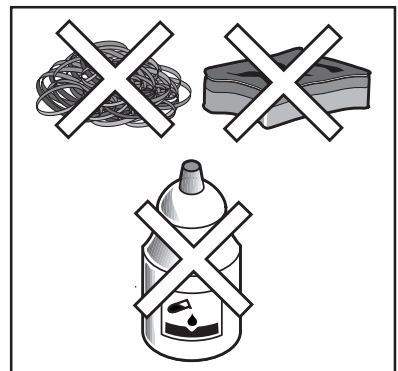


Fig. 4

## Algo não funciona?

Se o fogão não estiver a funcionar correctamente, faça as seguintes verificações antes de contactar o Centro de Assistência local.

**IMPORTANTE:** Se chamar um técnico para resolver uma das anomalias listadas abaixo, ou para reparar uma anomalia causada por uma utilização ou instalação incorrectas, a deslocação ser-lhe-á cobrada, mesmo que o aparelho esteja dentro da garantia.

PROBLEMA	SOLUÇÃO
<ul style="list-style-type: none"> <li>■ O disco não aquece.</li> </ul>	<ul style="list-style-type: none"> <li>◆ Certifique-se de que o aparelho está ligado à corrente.</li> <li>◆ Certifique-se de que o fusível não está queimado.</li> <li>◆ Certifique-se de que rodou o botão de controlo correcto.</li> </ul>
<ul style="list-style-type: none"> <li>■ O disco não oferece resultados satisfatórios.</li> </ul>	<ul style="list-style-type: none"> <li>◆ Verifique se o disco está limpo e seco</li> <li>◆ Verifique se o recipiente tem o tamanho correcto para o disco.</li> <li>◆ Certifique-se de que o recipiente tem um fundo plano.</li> <li>◆ Verifique se a regulação é a correcta para o tipo de cozedura.</li> </ul>

Se, depois de todas estas verificações, o fogão continuar a não funcionar correctamente, contacte o Centro de Assistência local.

Lembre-se que será necessário fornecer a prova de compra para quaisquer pedidos de assistência que estejam dentro da garantia.

**Os clientes cujos produtos estejam dentro da garantia devem certificar-se de que as verificações anteriores foram feitas, pois o técnico cobrará a deslocação se a anomalia não for mecânica ou eléctrica.**

## Instruções para o instalador

### Dados técnicos

#### Potência de aquecimento

Disco rápido dianteiro esquerdo  
Ø 180 mm 2000 W

Disco rápido traseiro esquerdo  
Ø 145 mm 1500 W

Disco rápido dianteiro direito  
Ø 145 mm 1500 W

Disco rápido traseiro direito  
Ø 180 mm 2000 W

Potência total 7000 W

Tensão 230 V~ 50 Hz

#### Dimensões da abertura

Largura: 550 mm

Profundidade: 470 mm

#### Dimensões gerais

Largura: 580 mm

Profundidade: 500 mm



## Ligações eléctricas



**Qualquer trabalho de electricidade necessário para instalar este fogão deve ser efectuado por um electricista qualificado ou por uma pessoa competente, de acordo com as normas actuais.**



**ESTE FOGÃO DEVE TER UMA LIGAÇÃO À TERRA.**

O fabricante declina qualquer responsabilidade caso estas medidas de segurança não sejam cumpridas.

Antes de ligar o aparelho à tomada eléctrica, certifique-se de que a tensão e a frequência apresentada na chapa de dados técnicos corresponde à tensão de alimentação. A chapa de dados técnicos está localizada na parte inferior do fogão. É fornecida uma cópia no painel traseiro deste manual.

O fogão é fornecido sem cabo de alimentação. Deve ser instalado um cabo de alimentação flexível de 3 núcleos, de acordo com as especificações indicadas nas respectivas tabelas.



- 1) Retire a placa de cobertura do terminal de rede da parte inferior do fogão para expor o bloco de terminais de rede.
- 2) Desaperte os dois parafusos de fixação do cabo e levante a secção superior do grampo o suficiente para permitir a passagem do cabo.
- 3) Ligue o fio vermelho (activo) ao terminal marcado com o número 1.
- 4) Ligue o fio preto (neutro) ao terminal marcado com o número 4.
- 5) Depois de colocar uma bainha verde/amarela sobre o fio de cobre

descarnado (fio de terra), ligue a extremidade exposta ao terminal marcado com o símbolo de terra ou com o número 5.

### NOTA:

O fio de terra deve ser cerca de 2 cm. mais comprido do que os fios activo e neutro (Fig. 5).

- 6) Fixe o cabo com os parafusos de fixação e volte a montar a tampa do bloco de terminais

O fogão deve ser ligado a um interruptor de dois pólos com uma folga mínima de 3 mm. entre os contactos do interruptor e de um tipo adequado para a carga necessária em conformidade com as normas eléctricas em vigor. O interruptor deve estar localizado a 2m do fogão e deve ser facilmente acessível após terminar a instalação.

O interruptor não deve quebrar o cabo de terra amarelo e verde em nenhum dos pontos.



**Certifique-se de que o cabo de alimentação do fogão não entra em contacto com superfícies com temperaturas superiores a 50 °C.**

**O fabricante declina qualquer responsabilidade se as medidas de prevenção contra acidentes não forem observadas.**

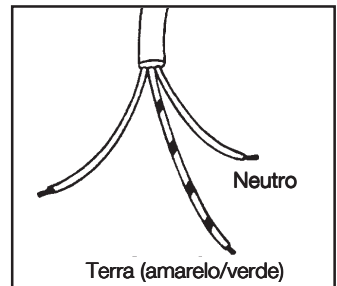


Fig. 5



**A substituição do cabo eléctrico só deverá ser realizada pelo centro de assistência ou por técnicos com uma competência análoga, de acordo com as normas em vigor.**

## Ligação eléctrica à caixa de terminais

O aparelho possui uma caixa de terminais de cinco pólos cujos cabos estão previstos para uma função monofásica de 230 V (Fig. 6).

No caso de uma tensão diferente, faça a ligação como indicado na tabela “ESCOLHA DO CABO DE LIGAÇÃO E MEDIDOR DE FUSÍVEIS” em baixo.

O fio de terra deve ser ligado ao terminal marcado com o sinal .

Depois de ligar o fio ao terminal, fixe-o com uma braçadeira.

## Especificações do cabo de alimentação

Cabo de dim. mín. / flex	Cabo / tipo flex	Fusível
2,5 mm <sup>2</sup>	H05 V2V2-F (T90)	30 A

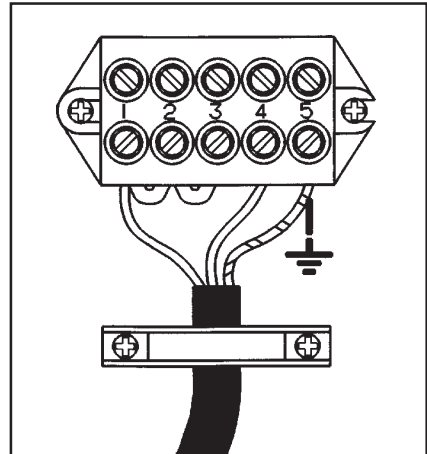



Fig. 6


## ESCOLHA DO CABO DE LIGAÇÃO E MEDIDOR DE FUSÍVEIS (em Amps)

Tipo de ligação	Monofásico	Trifásico	Trifásico Y 3f. + neutro	Bifásico Y 2f. + neutro
Cabo de ligação com caixa de terminais	<p>1 2 3 4 </p> <p>L1 N PE</p>	<p>1 2 3 4 </p> <p>L1 L2 L3 PE</p>	<p>1 2 3 4 </p> <p>L1 L2 L3 N PE</p>	<p>1 2 3 4 </p> <p>L1 L2 N PE</p>
Tensão de rede	230 V -	230 V 3 -	400 V 3N -	400 V 2N -
Tensão da resistência	230 V	230 V	230 V	230 V
Aparelho eléctrico	3 X 2,5 mm <sup>2</sup>	4 X 1,5 mm <sup>2</sup>	5 X 1,5 mm <sup>2</sup>	4 X 1,5 mm <sup>2</sup>
	24 A	13 A	13 A	13 A

## Instalação

-  O fogão deve ser instalado de acordo com as instruções fornecidas. Certifique-se de que, depois de instalado, o fogão pode ser facilmente acedido pelo técnico em caso de avaria.

### Primeira instalação

-  Depois de instalar o fogão, é importante remover quaisquer materiais de protecção colocados na fábrica.

**O fabricante declina qualquer responsabilidade caso as instruções acima indicadas ou as instruções de segurança incluídas neste manual forem ignoradas.**

A superfície de cozedura pode ser instalada num móvel com uma abertura com as dimensões fornecidas na Fig. 7. A abertura para instalação deve ter pelo menos 55 mm a partir da parede traseira. Eventuais paredes do lado direito e esquerdo mais altas do que a superfície de cozedura devem ter pelo menos 100 mm a partir da abertura no tempo.

### Instalar o fogão na bancada

 Encastre o fogão do seguinte modo:

- Posicione as juntas correspondentes (fornecidas) na extremidade da abertura prevista para a instalação, tendo cuidado para que as extremidades coincidam sem se sobreporem;
- Coloque o fogão na abertura, certificando-se de que está centrado.

As dimensões são fornecidas em mm.

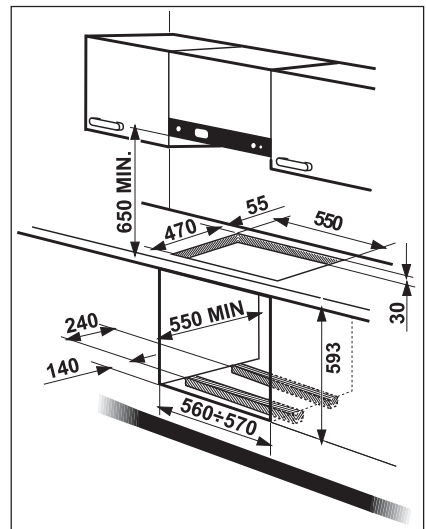


Fig. 7

- Fixe o fogão com os respectivos grampos de fixação (Fig. 8).

A extremidade do fogão forma uma dupla junta que impede a entrada de líquidos.

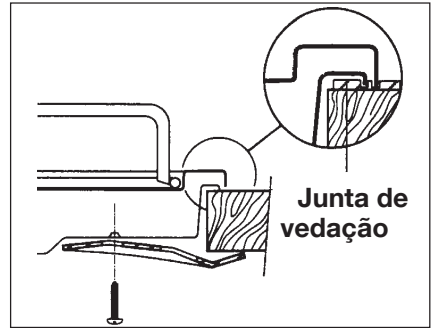


Fig. 8

## Encastrar

### Em móveis base com porta

É necessário que, na construção do móvel, sejam tomadas as devidas precauções de modo a evitar um possível contacto com o alojamento aquecido da superfície durante o funcionamento. A solução recomendada para evitar este problema está ilustrada na fig. 9.

O painel que se encontra por baixo da placa deve ser facilmente removido, para permitir que se bloqueie e desbloqueie a superfície de cozedura em caso de intervenção da assistência técnica.

### Em móveis base com forno

As dimensões da abertura do fogão devem estar em conformidade com as indicações fornecidas na fig. 7 e devem possuir suportes para permitir um fornecimento contínuo de ar.

Duas possíveis soluções para evitar o sobreaquecimento estão descritas na fig. 10 e 11.

A ligação eléctrica do fogão e do forno deve ser efectuada em separado, quer por razões de segurança quer para permitir que o forno possa ser facilmente removido da unidade.

As unidades de parede ou os exaustores de evacuação devem estar no mínimo a 650 mm da superfície de cozedura (Fig. 7).

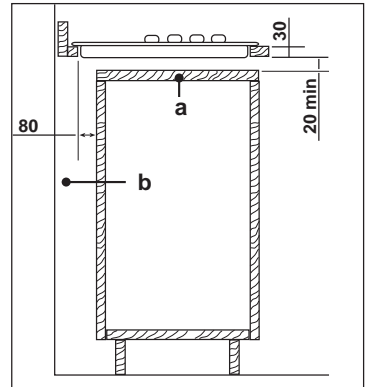


Fig. 9

- a) painel do móvel amovível
- b) possível espaço útil para ligações

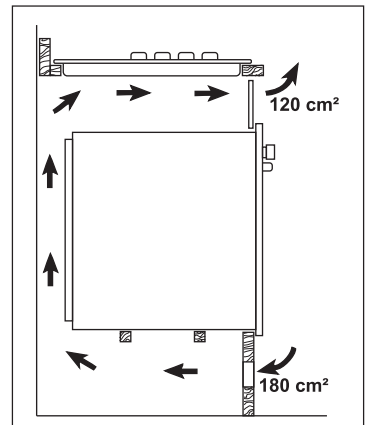


Fig. 10

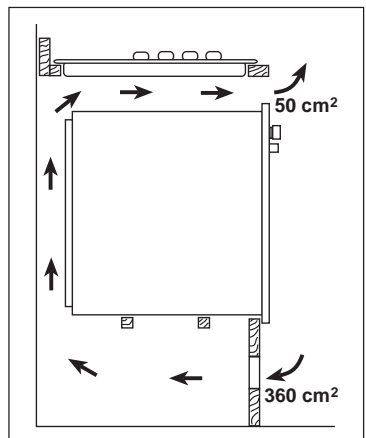


Fig. 11

## Assistência e pelas sobresselentes originais

Antes de sair da fábrica, este aparelho foi testado e estudado por muitos especialistas para lhe oferecer os melhores resultados.

Qualquer operação de reparação que seja necessária deve ser efectuada com o máximo cuidado e atenção.

Por este motivo, recomendamos que, para qualquer problema, contacte o seu revendedor ou o Centro de Assistência autorizado mais próximo, especificando a natureza do problema, o modelo do aparelho (Mod.), o número do produto (Prod. No.) e o número de série (Ser. No.) marcado na placa de identificação fornecida no kit dos injectores.

As peças de substituição originais, certificadas pelo fabricante do aparelho e detentoras deste símbolo, só se encontram disponíveis nos nossos Centros de Assistência e em lojas de peças autorizadas.



## Garantia/Assistência técnica

### Estimado Cliente:

Queremos felicitá-lo pela sua compra e agradecer a confiança depositada na nossa empresa.

O seu electrodoméstico dispõe de uma garantia de 24 meses para mão-de-obra e peças.

Se durante o período de garantia o seu electrodoméstico tiver uma avaria, contacte o Serviço Técnico Oficial.

ASSISTÊNCIA TÉCNICA OFICIAL

21 440 39 39

SERVIÇO DE APOIO AO CLIENTE

21 440 39 00 (de 2a a 6a feira. das 10H–13H e das 14H–17H)

### CONDIÇÕES DE GARANTIA

1. O aparelho que acaba de adquirir possui uma garantia de dois anos a partir da data de aquisição. Os pedidos de assistência na garantia são gratuitos, mediante apresentação do respectivo certificado juntamente com a factura de compra.
2. A presente garantia do fabricante (2 anos) cobre a substituição de peças, mão de obra e deslocação.
3. Em caso de imobilização do seu aparelho por período superior a 15 dias, a garantia será prolongada adicionando o tempo de imobilização à data de entrega nos nossos serviços.
4. Nos pedidos de assistência na garantia de Pequenos Electrodomésticos, os aparelhos a reparar deverão ser entregues directamente no ponto de assistência.

### EXCLUSÕES DE GARANTIA

Substituições de peças danificadas por mau manuseamento, instalação incorrecta, danos de transporte e danos provocados por condições atmosféricas adversas; Inter-venções por pessoal técnico não autorizado pelo ELECTROLUX SERVICE; substituições de lâmpadas, filtros, juntas de borracha, vidros, botões, puxadores e acessórios de aspiradores; Todos os serviços de manutenção provocados pelo desgaste ou pela utilização do aparelho; Pedidos de demonstração de montagem e explicações de funcionamento; Danos no esmalte e/ou na pintura provocados por cortes ou pancadas; Uso intensivo em locais públicos ou profissionais, a menos que se trate de um produto adequado para o efeito; Desobstrução de bombas de limpeza e filtros.

- MANIPULAÇÃO nos dados da placa de Matrícula do presente aparelho ou deste certificado.



- INSTALAÇÃO INCORRECTA E NÃO REGULAMENTAR (tensão, pressão de gás ou de água, ligações eléctricas ou hidráulicas não adequadas).

Assistência Técnica - ELECTROLUX SERVICE - Quinta da Fonte, Edifício Gonçalves Zarco - Q 35, 2774-518 Paço de Arcos.

NOTA 1: Deve conservar a factura de compra junto deste Certificado de Garantia

NOTA 2: Para a validade desta garantia, no momento da intervenção técnica é absolutamente imprescindível apresentar ao pessoal autorizado o presente certificado junto da factura legal de compra do aparelho devidamente preenchida.


## Garantia europeia

Este aparelho possui garantia da Electrolux em cada um dos países listados na parte de trás deste manual, para o período especificado na garantia do seu aparelho ou, caso contrário, pela lei. Se mudar de um destes países para outro dos países listados em baixo, a garantia do aparelho mudará também, estando sujeita aos seguintes requisitos:

- A garantia do seu aparelho tem início na data em que adquiriu o aparelho, a qual terá como prova o documento válido de compra emitido pelo vendedor do aparelho.
- A garantia do aparelho é válida para o mesmo período de tempo e para o mesmo tipo de trabalho e peças existente no seu novo país de residência para este modelo em particular ou gama de aparelhos.
- A garantia do aparelho é pessoal, para o comprador original, e não pode ser transferida para outro utilizador.
- O aparelho é instalado e usado de acordo com as instruções emitidas pela Electrolux e destina-se apenas ao uso doméstico, ou seja, não é usado para fins comerciais.
- O aparelho é instalado de acordo com todas as normas relevantes em vigor no seu novo país de residência.

As condições desta Garantia Europeia não afecta nenhum dos seus direitos concedidos por lei.

www.electrolux.com

		
Albania	+35 5 4 261 450	Rr. Pjeter Bogdani Nr. 7 Tirane
Belgique/België/Belgien	+32 2 363 04 44	Bergensesteenweg 719, 1502 Lembeek
Česká republika	+420 2 61 12 61 12	Budějovická 3, Praha 4, 140 21
Danmark	+45 70 11 74 00	Sjællandsgade 2, 7000 Fredericia
Deutschland	+49 180 32 26 622	Muggenhofer Str. 135, 90429 Nürnberg
Eesti	+37 2 66 50 030	Pärnu mnt. 153, 11624 Tallinn
España	+34 902 11 63 88	Carretera M-300, Km. 29,900 Alcalá de Henares Madrid
France	www.electrolux.fr	
Great Britain	+44 8705 929 929	Addington Way, Luton, Bedfordshire LU4 9QQ
Hellas	+30 23 10 56 19 70	4, Limnou Str., 54627 Thessaloniki
Hrvatska	+385 1 63 23 338	Slavonska avenija 3, 10000 Zagreb
Ireland	+353 1 40 90 753	Long Mile Road Dublin 12
Italia	+39 (0) 434 558500	C.so Lino Zanussi, 26 - 33080 Porcia (PN)
Latvija	+37 17 84 59 34	Kr. Barona iela 130/2, LV-1012, Riga
Lietuva	+370 5 2780609	Ozo 10A, LT 08200 Vilnius
Luxembourg	+352 42 431 301	Rue de Bitbourg, 7, L-1273 Hamm
Magyarország	+36 1 252 1773	H-1142 Budapest XIV, Erzsébet királyné útja 87
Nederland	+31 17 24 68 300	Vennootsweg 1, 2404 CG - Alphen aan den Rijn
Norge	+47 81 5 30 222	Risløkkvn. 2 , 0508 Oslo
Österreich	+43 18 66 400	Herziggasse 9, 1230 Wien
Polska	+48 22 43 47 300	ul. Kolejowa 5/7, Warszawa
Portugal	+35 12 14 40 39 39	Quinta da Fonte - Edifício Gonçalves Zarco - Q 35 -2774-518 Paço de Arcos
Romania	+40 21 451 20 30	Str. Garii Progresului 2, S4, 040671 RO
Schweiz - Suisse - Svizzera	+41 62 88 99 111	Industriestrasse 10, CH-5506 Mägenwil
Slovenija	+38 61 24 25 731	Gerbičeva ulica 98, 1000 Ljubljana
Slovensko	+421 2 43 33 43 22	Electrolux Slovakia s.r.o., Electrolux Domáce spotrebiče SK, Seberíniho 1, 821 03 Bratislava
Suomi	www.electrolux.fi	
Sverige	+46 (0)771 76 76 76	Electrolux Service, S:t Göransgatan 143, S-105 45 Stockholm
Türkiye	+90 21 22 93 10 25	Tarlabası caddesi no : 35 Taksim İstanbul
Россия	+7 495 937 7837	129090 Москва, Олимпийский проспект, 16, БЦ "Олимпик"

## **Vítejte ve světě Electroluxu**

Vybrali jste si prvotřídní výrobek Electrolux, který si, jak věříme, v budoucnu velmi oblíbíte. Electrolux si klade za cíl nabízet široký sortiment výrobků, které mohou váš život učinit pohodlnějším. Některé z nich vidíte na obálce tohoto návodu. Najděte si několik minut a prostudujte si tento návod, abyste mohli začít nový spotřebič používat a využívat všech výhod, které nabízí. Slibujeme vám vysokou uživatelskou spokojenost, přinášející pohodu při jeho používání. Hodně štěstí!

## Obsah

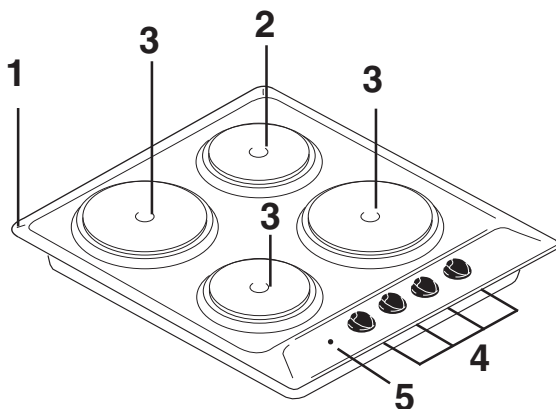
### Pro uživatele

Popis varné desky .....	44
Důležitá bezpečnostní upozornění .....	45
Před prvním použitím spotřebiče .....	47
Obsluha .....	47
Údržba a čištění .....	51
Něco nefunguje? .....	52
Servis a originální náhradní díly .....	60
Záruční podmínky .....	60
Evropská záruka .....	62

### Pro technika

Připojení k elektrické síti .....	54
Instalace .....	57
Vestavba .....	59

## Popis varné desky



1. Horní část varné desky
2. Rychlá plotýnka - 1500 W - průměr 145 mm.
3. Rychlá plotýnka - 2000 W - průměr 180 mm.
4. Ovladače
5. Kontrolka zapnutí síťového napájení

## Důležitá bezpečnostní upozornění

Tato upozornění se uvádějí v zájmu bezpečnosti. Před instalací a používáním varné desky si **MUSÍTE** tato upozornění pozorně přečíst.

### Instalace

- Je nezbytně nutné, abyste si tento návod k použití uschovali a mohli ho používat i v budoucnu. Chcete-li spotřebič prodat nebo předat dalšímu majiteli, vždy se přesvědčte, že je ke spotřebiči přiložen tento návod k použití, aby se i nový vlastník mohl seznámit s používáním spotřebiče a příslušnými bezpečnostními pokyny.
- Před každou údržbou nebo čištěním je nutné se ujistit, zda je spotřebič ODPOJEN od elektrické sítě.
- Před použitím varné desky odstraňte všechny obaly.
- Po vybalení spotřebiče zkontrolujte, zda není poškozený a zda je přívodní kabel v dokonalém stavu. Není-li tomu tak, obraťte se před instalací na prodejce.
- Výrobce odmítá jakoukoli odpovědnost v případě, že nebyly dodrženy uvedené bezpečnostní předpisy k ochraně před úrazem.

### Bezpečnost osob

- Tento spotřebič smí používat pouze dospělá osoba. Dohlédněte na to, aby si malé děti s varnou deskou nehrály.
- Tento spotřebič by neměly používat děti nebo osoby se sníženými fyzickými, smyslovými nebo duševními schopnostmi či bez patřičných zkušeností a znalostí pouze za dozoru nebo s pokyny odpovědných osob, aby se tak zajistilo bezpečné použití spotřebiče.
- Odkryté části spotřebiče jsou při vaření velmi horké a horké zůstanou ještě nějakou dobu po vypnutí. Nedovolte dětem, aby se ke spotřebiči přibližovaly, pokud ještě nevychladl.

### Během použití


- Tato varná deska je určena k neprofesionálnímu domácímu použití k vaření jídel. Nepoužívejte ji k žádnému jinému účelu.
- Změna nebo pokus o změnu charakteristik tohoto spotřebiče jsou nebezpečné.
- Spotřebič udržujte vždy čistý. Zbytky jídel zvyšují nebezpečí požáru.
- V případě poruchy se nikdy nepokoušejte opravit spotřebič sami. Opravy prováděné nekvalifikovanými osobami mohou vést ke zranění nebo poškození. Nejprve se podívejte do tohoto návodu. Jestliže nenajdete požadovanou informaci, obraťte se na nejbližší servisní středisko. Servistohoto spotřebiče smí provádět pouze autorizované technické servisní středisko. Vždy trvejte na použití originálních náhradních dílů.
- Po použití spotřebiče se ujistěte, zda jsou všechny ovladače v pozici "ZAVŘENO" nebo "VYP".
- K čištění spotřebiče nepoužívejte páru nebo čisticí přístroje na páru.
- Při použití elektrické zásuvky v blízkosti varné desky zkontrolujte, zda se ho kabely používaných elektrických spotřebičů nedotýkají a jsou v dostatečné vzdálenosti od jeho horkých částí.



## Upozornění k ochraně životního prostředí

- Všechny použité materiály jsou přátelské životnímu prostředí a jsou recyklovatelné. Přispějte i vy k ochraně životního prostředí a použijte způsob tříděného sběru.
- Nepoužitelné nebo delší dobu nepoužívané spotřebiče nejsou bezcenným odpadem. Díky ekologické likvidaci je možné různé výrobní materiály použité při jeho výrobě znovu použít.
- Informujte se o možnostech likvidace u svého specializovaného prodejce nebo na místním úřadě.
- Při likvidaci znehodnoťte starý spotřebič odříznutím elektrického přírodního kabelu.



- Symbol  na spotřebiči nebo jeho obalu udává, že tento výrobek nepatří do domácího odpadu. Je nutné ho odvézt k recyklaci do příslušného sběrného dvora elektrických a elektronických zařízení. Zajištěním správné likvidace tohoto výrobku pomůžete zabránit případným negativním důsledkům na životní prostředí a lidské zdraví, které by jinak byly způsobeny nevhodnou likvidací tohoto výrobku. Podrobnější informace o recyklaci tohoto spotřebiče získáte na místním obecním úřadě, ve středisku pro likvidaci domácího odpadu nebo v obchodě, kde jste tento spotřebič zakoupili.

**Ponechte si prosím tento návod pro další použití a zajistěte jeho předání případnému dalšímu majiteli.**

## Jak číst návod k použití

V textu se objevují následující symboly, které vás provedou celým návodem:



Bezpečnostní pokyny



Krok za krokem pokyny k provozu



Rady a tipy



Upozornění k ochraně životního prostředí



Tento spotřebič byl vyroben v souladu s následujícími směrnici ES:

**2006/95 EHS - 93/68 EHS - 89/336 EHS - 90/396 EHS,**  
v platném znění.

## Před prvním použitím spotřebiče

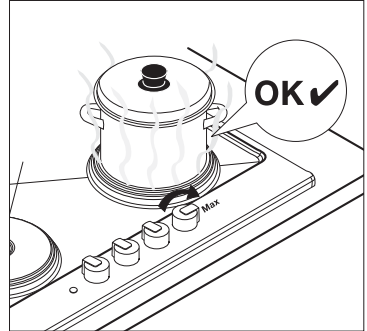
**⚠ Před použitím spotřebiče odstraňte veškeré obaly včetně reklamních štítků a ochranných fólií.**

**☞** Při prvním použití varné desky:

- 1) na všechny plotýnky postavte nádobu s trochou vody;
- 2) zapněte plotýnky na asi 10 minut v nastavení "maximum", až začne voda v nádobách vřít;
- 3) pak otočte ovladačem na "minimum" a nechte plotýnku zapnutou na přibližně 20 minut;
- 4) otevřete okno, aby místnost větrala.

**i** Plotýnka může při prvním zapnutí trochu kouřit a vydávat nepříjemný zápach. To je zcela **normální** jev způsobený usazeninami z výroby.

Po skončení uvedených postupů nechte plotýnku vychladnout, a pak ji vyčistěte měkkým hadříkem namočeným v teplé vodě.



Obr. 1

## Obsluha

### Elektrické plotýnky

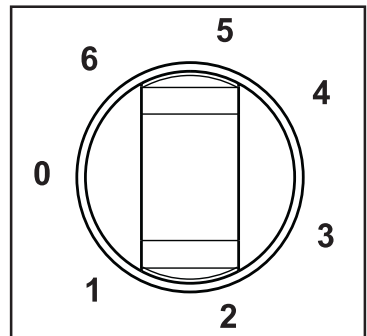
Plotýnku zapnete otočením příslušného ovladače doleva na požadovaný stupeň výkonu.

Ovladač je očíslován od 1 - 6.

0- VYP

1 - Minimum

6 - Maximum



Obr. 2

## Rychlé plotýnky

Rychlé plotýnky jsou označeny červenou tečkou a zahřívají se rychleji než normální plotýnka. Červené tečky jsou vyznačeny přímo na plotýnce a mohou se během používání poškodit, nebo po určité době dokonce úplně zmizet. **Na výkonnost varné desky to ale nemá vliv.**



Uvědomte si, že při prvním použití může plotýnka trochu kouřit a vydávat lehce nepříjemný pach. To je zcela normální jev, který po chvíli zmizí.

## Kontrolka elektrické plotýnky

Kontrolka elektrické plotýnky se rozsvítí po každém zapnutí varné zóny.

Doporučení pro správné nastavení plotýnek jsou uvedena v následující tabulce.

VYPNUTO	0	
Velmi mírné	1	Udržení teploty jídla. Rozpouštění másla a čokolády.
Mírné	2	Příprava krémových omáček, dušeného masa a mléčných puďinků nebo smažení vajíček.
Pomalé	3	Sušená zelenina, mražené jídlo, ovoce, vroucí voda nebo mléko.
Střední	4	Vařené brambory, čerstvá zelenina, paštiky, polévky, vývary, palačinky a ryby.
Vysoké	5	Větší množství dušeného masa, masová rolka, ryba, omelety, řízky.
Rychlé	6	Bifteky, plátky masa či ryb a smažení.



## Pokyny ke správnému používání elektrických plotýnek

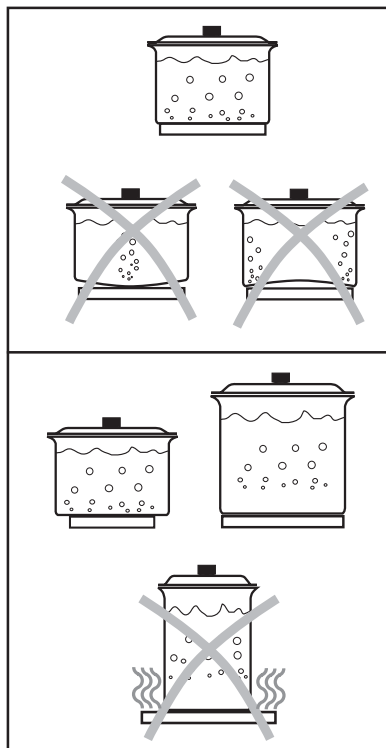
Chcete-li dosáhnout co nejlepšího chodu elektrické plotýnky a nižší spotřeby elektřiny:

- Zapněte plotýnku až poté, co na ni položíte nádobu.
- Při vaření na elektrické plotýnce používejte nádoby s trojitým dnem se stejnou šířkou, jakou má varná zóna, nebo nepatrně větší (obr. 3).
- Na elektrické plotýnce nepoužívejte vlhké nádoby, ani je nestavte na vypnutou elektrickou plotýnku, protože vlhkost a vzniklý kondenzát by ji mohly poškodit.
- Je-li to možné, zakrývejte nádoby pokličkami. Měděné nebo hliníkové nádoby nejsou pro vaření na elektrických plotýnkách příliš vhodné, protože mohou na plotýnkách zanechávat zbytky materiálu, skvrny nebo šmouhy. Podobně nejsou pro vaření na elektrických plotýnkách vhodné ani grily na maso z litiny, které mohou způsobit nebezpečné hromadění tepla.

Drsné dno nádoby může zase poškrábat varnou desku a použitý materiál na ni může zanechat skvrny. Pokud je to možné, zvolte gril na maso z nerezové oceli s trojitým dnem.

Použití skleněných nádob také nedoporučujeme, protože tyto nádoby mají obvykle velmi nerovná dna. Nikdy nepoužívejte plastové nádoby.

- Na varné plotýnky nepokládejte nestabilní nebo deformované hrnce, protože by se mohly převrhnout, a jejich obsah vylít a způsobit tak nehodu.
- Hrnce nesmí přesahovat mimo zónu s ovladači.



Obr. 3

- Dávejte pozor, aby vroucí tekutiny nepřetekly na varnou plotýnku.
- Nenechávejte zapnutou prázdnou plotýnku bez nádoby, ani plotýnku s prázdnou nádobou.
- Nestavte hrnce na chladnou varnou plotýnku, ani je nenechávejte vychladnout na vypnuté plotýnce. Mohlo by to mít za následek škodlivou kondenzaci.
- K rychlejšímu vaření a k zamezení úniku tepla doporučujeme používat nádoby s plochým dnem, které jsou zárukou maximálního kontaktu s varnou zónou.
- Přes horkou elektrickou plotýnku se nikdy nenaklánějte, ani pro nic nesahejte. Držadlo pánve vždy nasměrujte směrem dovnitř ke zdi, nebo přes pracovní plochu varné desky, abyste o držadlo náhodně nezavadili, půjdete-li kolem.
- Nepoužívejte plotýnku k vyhřátí místnosti.



**Dávejte pozor při smažení v tuku nebo oleji, protože přehřáté stříkance se mohou lehce vznítit.**



**Nerezová ocel může ztratit lesk, jestliže se nadměrně přehřeje. Proto se nedoporučuje dlouhé vaření v nádobách z masťku, v kameninových pánvích nebo litinových plátech. Povrch varné desky nechráňte při použití hliníkovou fólií.**

## Údržba a čištění

**⚠ Před každou údržbou nebo čištěním musíte varnou desku ODPOJIT od přívodu proudu.**

**⚠ Tento spotřebič se nesmí čistit párou ani čisticím zařízením na páru.**

Varná deska se nejlépe čistí, dokud je teplá, protože zbytky se snadněji odstraní dříve než vystydnou.

### Varná deska

Povrch varné desky pravidelně otírejte měkkým, dobře vyždímaným hadříkem namočeným v teplé vodě s trochou mycího prostředku. Nedoporučujeme použití následujících čisticích prostředků:

- čisticí prostředky pro domácnost a bělidla;
- impregnované houbičky nejsou vhodné pro nádoby s nepřílišným povrchem;
- drátěnky;
- odstraňovače skvrn pro umyvadla nebo dřezy.

Pokud je horní část varné desky velmi znečištěná, doporučujeme použití těchto čisticích prostředků:

- Na varné desky z nerezové oceli používejte značkový čisticí prostředek určený na nerezovou ocel.
- Na jiné varné desky používejte prostředky Hob Brite nebo Bar Keepers Friend.

Pro snazší čištění je možné ovladače odstranit vytažením nahoru.

**⚠ Nenechávejte kyselé ani zásadité látky (např. ocet, sůl, citronovou šťávu atd.) na varné desce.**

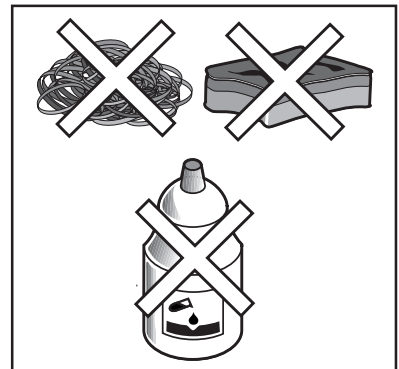
### Plotýnky

Rozlité jídlo odstraňte teplou vodou a měkkým kartáčkem, nylonovou nebo plastovou drátěnkou. Chcete-li mít plotýnku stále jako novou, můžete si ve většině odborných prodejen zakoupit speciální přípravek, např. "4 Hob" z HomeCare Products (dodržujte pokyny výrobce).

Plotýnku můžete také otřít utěrkou s kapkou olivového oleje, jako prevenci proti zrezivění. Uvědomte si ale, že při dalším použití bude plotýnka trochu kouřit a vydávat lehce nepříjemný pach.

Nerezové ocelové části: kroužky z nerezové oceli se mohou používáním zbarvit do žluta. K odstranění těchto skvrn použijte značkový čisticí prostředek na nerezovou ocel. To se týká také okolí plotýnek na varné desce z nerezové oceli.

**i Jestliže nebudete plotýnku čistit a udržovat, může na povrchu zrezavět a zkorodovat.**



Obr. 4

## Spotřebič nefunguje?

Pokud varná deska nefunguje správně, nevolejte hned do servisního střediska, ale proveďte nejprve tyto kontroly.

**DŮLEŽITÉ UPOZORNĚNÍ:** Jestliže zavoláte technika kvůli jedné z níže uvedených poruch, nebo k opravě poruchy způsobené nesprávným používáním nebo instalací, budete muset opravu zaplatit, i když je spotřebič ještě v záruce.

Problém	Řešení
<ul style="list-style-type: none"> <li>■ Plotýnka nehřeje.</li> </ul>	<ul style="list-style-type: none"> <li>◆ Zkontrolujte, zda je zástrčka spotřebiče zasunutá do zásuvky a přívod napájení je zapnutý.</li> <li>◆ Zkontrolujte, zda není spálená pojistka.</li> <li>◆ Zkontrolujte, zda jste otočili správným ovladačem.</li> </ul>
<ul style="list-style-type: none"> <li>■ Plotýnka nehřeje dostatečně.</li> </ul>	<ul style="list-style-type: none"> <li>◆ Zkontrolujte, zda je plotýnka čistá a suchá.</li> <li>◆ Zkontrolujte, zda jste pro plotýnku vybrali nádobu vhodné velikosti.</li> <li>◆ Zkontrolujte, zda má nádoba ploché dno.</li> <li>◆ Zkontrolujte, zda nastavení odpovídá požadovanému vaření.</li> </ul>

Pokud varná deska ani po provedení kontrol nefunguje správně, zavolejte do místního servisního střediska.

Uvědomte si prosím, že při žádosti o opravu v záruční době je nutné se prokázat dokladem o koupi.

**Zákazníci by se v době záruky měli ujistit, že provedli výše uvedené kontroly, protože v případě, že se nejedná o mechanickou ani elektrickou poruchu, bude technik požadovat zaplacení.**

## Pokyny pro technika

### Technické údaje

#### Jmenovité výkony topných článků

Rychlá levá přední plotýnka Ø 180 mm	2000 W
Rychlá levá zadní plotýnka Ø 145 mm	1500 W
Rychlá pravá přední plotýnka Ø 145 mm	1500 W
Rychlá pravá zadní plotýnka Ø 180 mm	2000 W
Celkový příkon	7000 W
Napětí	230 V~ 50 Hz

#### Rozměry výřezu

Šířka:	550 mm
Hloubka:	470 mm

#### Celkové rozměry

Šířka:	580 mm
Hloubka:	500 mm

## Připojení k elektrické síti

- ⚠ Jakékoliv elektrikářské práce, nutné pro zapojení varné desky, smí provádět pouze kvalifikovaný elektrikář nebo osoba s příslušným oprávněním v souladu s platnými předpisy.**
- ⚠ VARNÁ DESKA MUSÍ BÝT UZEMNĚNA.**

Výrobce odmítá jakoukoli odpovědnost v případě, že nebyla dodržena tato bezpečnostní opatření.

Před zapnutím se přesvědčte, že parametry elektrického rozvodu odpovídají hodnotám uvedeným na typovém štítku. Typový štítek je umístěn na spodní straně varné desky. Kopie štítku je na zadní straně této příručky.

Varná deska se dodává bez přívodního kabelu. Pro připojení je nutné použít 3-žilový přívodní kabel podle specifikace uvedené v tabulce.

- ☞ 1) Odstraněním krycí desky koncovky síťového připojení ze spodní strany varné desky odkryjete svorkovnici elektrického napájení.
- 2) Uvolněte dva šrouby kabelové svorky a nadzvedněte horní část svorky tak, aby pod ní mohly kabely projít.
- 3) Připojte červený (fázový) vodič ke koncovce označené číslem 1.
- 4) Připojte černý (nulový) vodič ke koncovce označené číslem 4.
- 5) Po nasazení zelené nebo žlutozelené izolace na holý měděný vodič (zemnicí vodič) připojte odkrytý konec ke koncovce, která je označena symbolem uzemnění nebo číslem 5.

### POZNÁMKA:

Zemnicí vodič by měl být přibližně o 2 cm delší než fázový a nulový vodič (obr. 5)

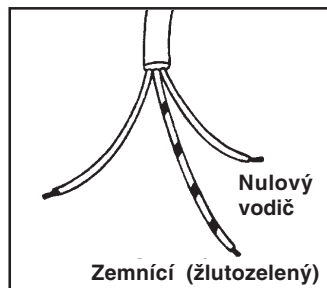
- 6) Kabel připevněte pomocí šroubů svorky a znovu nasadte kryt svorkovnice.

Varná deska se připojuje k dvoupólovému spínači s minimální vzdáleností mezi kontakty 3 mm, který je vhodný pro požadované zatížení v souladu s platnými elektrickými předpisy. Tento spínač musí být umístěn nejdále 2 m od varné desky a musí být po instalaci dobře přístupný.

Spínač nesmí v žádném bodě přerušit žlutozelený zemnicí kabel.

- ⚠ Ujistěte se, že přívodní kabel varné desky se nikde nedotýká plochy, která dosahuje teploty vyšší než 50 stupňů C.**

**Výrobce odmítá jakoukoli odpovědnost v případě, že nebyly dodrženy uvedené bezpečnostní předpisy k ochraně před úrazem.**



Obr. 5



Výměnu elektrického kabelu musí provést servisní středisko nebo kvalifikovaný elektrikář, a to v souladu s pokyny výrobce a platnými místními bezpečnostními předpisy.

## Elektrické připojení ke svorkovnici

Spotřebič je vybaven pětipólovou svorkovnicí, jejíž kabely jsou určeny pro jednofázový proud s napětím 230 V (obr. 6).

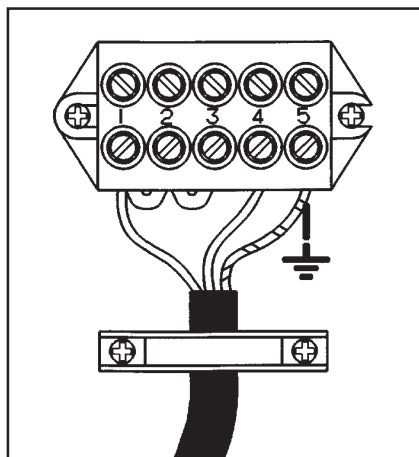
V případě jiného napětí proveďte připojení podle tabulky “VOLBA PŘIPOJOVACÍHO KABELU A POJISTKY”.

Zemní vodič musí být připojen ke koncovce s příslušným symbolem (⊕).

Vodič po připojení ke koncovce zajistěte svorkou kabelu.

## Technické údaje přívodního kabelu

Min. velikost kabelu / šňůry	Typ / kabelu / šňůry	Pojistka
2,5 mm <sup>2</sup>	H05 V2V2-F (T90)	30 A




Obr. 6

## VOLBA PŘIPOJOVACÍHO KABELU A POJISTKY (v A)

Typ připojení	Jednofázový	Třífázový	Třífázový Y 3f. + nulový	Dvojfázový Y 2f. + nulový
Připojovací kabel se svorkovnicí				
Síťové napětí	230 V ~	230 V 3 ~	400 V 3N ~	400 V 2N ~
Napětí topného článku	230 V	230 V	230 V	230 V
Elektrický spotřebič	3 X 2,5 mm <sup>2</sup>	4 X 1,5 mm <sup>2</sup>	5 X 1,5 mm <sup>2</sup>	4 X 1,5 mm <sup>2</sup>
	24 A	13 A	13 A	13 A




## Instalace

-  Varná deska musí být instalována podle přiloženého návodu. Zajistěte prosím, aby byl spotřebič po instalaci v případě závady dobře přístupný pro servisního technika.


### První instalace varné desky

Po instalaci varné desky je nutné odstranit všechny ochranné materiály z výroby.

-  **Výrobce odmítá odpovědnost v případě, že nebyl dodržen jakýkoli bezpečnostní pokyn uvedený v tomto návodu nebo platný předpis.**

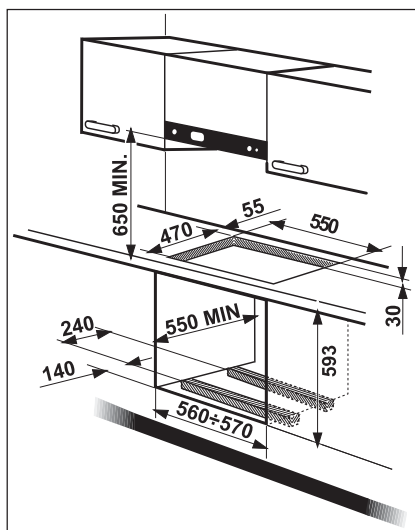
Tuto varnou desku můžete instalovat do kuchyňské skříňky s výřezem, jehož rozměry jsou na obr. 7. Výřez musí být vzdálen nejméně 55 mm od zadní stěny. Případná pravá či levá boční stěna, která je výše než varná deska, musí být nejméně 100 mm od výřezu.

### Instalace varné desky do pracovní desky

 Instalaci varné desky proveďte následujícím způsobem:

- Na okraje výřezu položte izolační těsnění dodávané spolu s varnou deskou, dbejte na to, aby se konce dotýkaly, ale nepřekrývaly.
- Vložte varnou desku do výřezu, dbejte na její vycentrování.

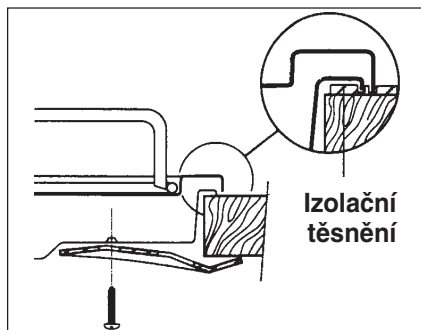
Rozměry jsou uvedeny v milimetrech.



Obr. 7

- Varnou desku připevněte příslušnými připevňovacími svorkami (obr. 8).

Okraj varné desky tvoří dvojité těsnění, které brání průniku tekutin.



Obr. 8

## Vestavba

### Spodní skříňka s dvířky

V konstrukci skříňky je nezbytné provést některé úpravy, aby se horká spodní část varné desky nedotýkala při provozu spodní skříňky. Doporučené řešení k odstranění tohoto problému vidíte na obr. 9.

Panel pod varnou deskou musí být snadno odstranitelný, aby umožňoval připevnění a vyjmutí varné desky v případě servisní opravy.

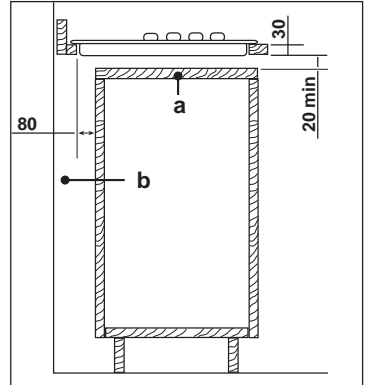
### Spodní skříňka s troubou

Rozměry výřezu pro varnou desku se musí shodovat s rozměry uvedenými v obr. 7 a varná deska musí být vybavena držáky, aby byl zajištěn stálý přívod vzduchu.

Dvě možná řešení k odstranění nadměrného přehřátí jsou uvedena na obr. 10 a 11.

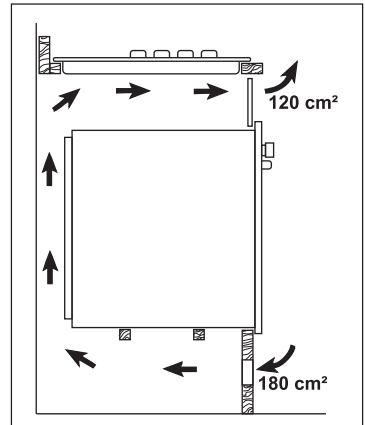
Elektrické připojení varné desky a trouby musí být provedeno odděleně, jak z bezpečnostních důvodů, tak i proto, aby bylo možné v případě potřeby troubu ze skříňky snadno vyjmout.

Stěny skříňek nebo digestoř musí být od okraje varné desky vzdálené nejméně 650 mm (obr. 7).

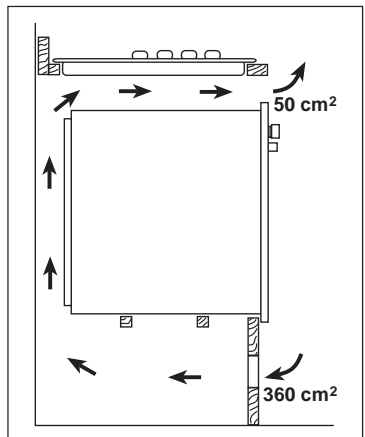


Obr. 9

- a) odstranitelný panel skříňky
- b) prostor využitelný pro připojení



Obr. 10



Obr. 11

## Servis a originální náhradní díly

Před odesláním z výroby byl tento spotřebič otestován a vyzkoušen mnoha znalci a odborníky, abyste s ním byli co nejlépe spokojeni.

Jakákoli potřebná oprava by měla být prováděna s co nejvyšší možnou péčí a pozorností.

Doporučujeme proto, abyste se v případě potíží obrátili na prodejce, který vám daný výrobek prodal, nebo na nejbližší servisní středisko a uvedli problém, model spotřebiče (Mod.), výrobní číslo (Prod. No.) a sériové číslo (Ser. No.) uvedené na typovém štítku.

Originální náhradní díly certifikované výrobcem a označené tímto symbolem jsou dostupné pouze v našem servisním středisku a autorizovaných obchodech s náhradními díly.



## Záruční podmínky

Záruka vyplývající z těchto záručních podmínek je poskytována pouze kupujícímu spotřebiteli (dále také jen "Kupující") a jen na výrobek sloužící k běžnému používání v domácnosti.

Prodávající poskytuje Kupujícímu spotřebiteli Záruku v trvání dvaceti čtyř měsíců, a to od data převzetí prodaného výrobku Kupujícím.

Kupující má v rámci Záruky právo na bezplatné, včasné a řádné odstranění vady, popřípadě - není-li to vzhledem k povaze (tzn. příčině i projevu) vady neúměrné - právo na výměnu výrobku. Pokud není takový postup možný, je Kupující oprávněn žádat přiměřenou slevu z ceny výrobku. Právo na výměnu výrobku nebo odstoupení od kupní smlouvy lze uplatnit jen při splnění všech zákonných předpokladů, a to pouze tehdy, nebyl-li výrobek nadměrně opotřeben nebo poškozen. Podmínkou pro uplatnění každého práva ze Záruky přitom je, že:

- výrobek byl instalován a uveden do provozu i vždy provozován v souladu s návodem k obsluze,
- veškeré záruční nebo jiné opravy či úpravy výrobku byly vždy prováděny v Autorizovaném servisním středisku,
- Kupující při reklamaci výrobku předloží platný doklad o koupi.

Právo na odstranění vady výrobku (i všechna případná další práva ze Záruky) je kupující povinen uplatnit v nejbližším Autorizovaném servisním středisku. Zároveň musí Autorizovanému servisnímu středisku umožnit ověření existence reklamované vady, včetně odpovídajícího vyzkoušení (popř. demontáže) výrobku, v provozní době tohoto střediska.

Každé právo ze Záruky je nutno uplatnit v příslušném Autorizovaném servisním středisku bez zbytečného odkladu, nejpozději však do konce záruční doby, jinak zaniká.

Autorizované servisní středisko posoudí oprávněnost reklamace a podle povahy vady výrobku rozhodne o způsobu opravy. Kupující je povinen poskytnout Autorizovanému servisnímu středisku součinnost potřebnou k prokázání uplatněného práva na odstranění vady, k ověření existence reklamované vady i k záruční opravě výrobku.

Běh záruční doby se staví po dobu od řádného uplatnění práva na odstranění vady do provedení záruční opravy Autorizovaným servisním střediskem, avšak jen při splnění podmínky uvedené v předchozím bodu.

Po provedení záruční opravy je Autorizované servisní středisko povinno vydat Kupujícímu čitelnou kopii Opravního listu. Opravní list slouží k prokazování práv Kupujícího, proto ve vlastním zájmu před podpisem Opravního listu zkontrolujte jeho obsah a kopii Opravního listu pečlivě uschovejte.

Jestliže nebude reklamovaná vada zjištěna nebo nejde-li o záruční vadu, za kterou odpovídá Prodávající, či neposkytne-li Kupující Autorizovanému servisnímu středisku shora uvedenou součinnost, je Kupující, povinen nahradit Prodávajícímu i Autorizovanému servisnímu středisku veškeré případné náklady, které jim v souvislosti s tím vzniknou.

Záruka vyplývající z těchto záručních podmínek platí pouze na území České republiky. Nevztahuje se na opotřebení nebo poškození výrobku (včetně poškození způsobeného poruchami v elektrické síti, použitím nevhodných náplní, nevhodnými provozními podmínkami aj.), případný nedostatek jakosti nebo užitné vlastnosti (který není závadou) ani na výrobek použitý nad rámec běžného používání v domácnosti (např. k podnikatelským účelům aj.).

Poskytnutím záruky nejsou dotčena práva Kupujícího, která se ke koupi výrobku váží podle kogentních ustanovení zvláštních právních předpisů.

Prodávající je povinen předat Kupujícímu při prodeji výrobku a na požádání Kupujícího poskytnout mu i kdykoli poté aktuální seznam Autorizovaných servisních středisek v České republice, včetně jejich telefonních čísel.

Jakékoli bližší informace o Záruce a Autorizovaných servisních střediscích poskytnou:

- prodávající,
- Electrolux Service, a to buď na telefonu: 261 126112, nebo na adrese ELECTROLUX s.r.o., Electrolux Service, Budějovická 3, 140 21 Praha 4,
- Bezplatná telefonní INFOLINKA: 800-160016.

## Evropská záruka

Na tento spotřebič se vztahuje záruka společnosti Electrolux ve všech zemích uvedených v zadní části tohoto návodu během období stanoveného v záruce spotřebiče nebo jinak zákonem. Jestliže se přestěhujete z jedné uvedené země do jiné z uvedených zemí, záruka na spotřebič bude i nadále platná za následujících podmínek:

- Záruka na spotřebič platí ode dne prvního zakoupení spotřebiče, které je možné doložit předložením platného dokladu o koupi vydaného prodejcem spotřebiče.
- Záruka na spotřebič je platná pro stejné období a na stejný rozsah práce a dílů, jako platí v nové zemi Vašeho pobytu pro tento určitý model řady spotřebičů.
- Záruka na spotřebič je vázaná na osobu původního kupce spotřebiče a není přenosná na další osoby.
- Spotřebič je instalovaný a používán v souladu s pokyny vydanými společností Electrolux a používá se pouze v domácnosti, tzn. spotřebič není využíván ke komerčním účelům.
- Spotřebič je instalovaný v souladu se všemi příslušnými platnými předpisy v nové zemi pobytu.

Ustanovení Evropské záruky nemají vliv na žádná závazná práva, která se na Vás vztahují podle zákona.

www.electrolux.com

		
Albania	+35 5 4 261 450	Rr. Pjeter Bogdani Nr. 7 Tirane
Belgique/België/Belgien	+32 2 363 04 44	Bergensesteenweg 719, 1502 Lembeek
Česká republika	+420 2 61 12 61 12	Budějovická 3, Praha 4, 140 21
Danmark	+45 70 11 74 00	Sjællandsgade 2, 7000 Fredericia
Deutschland	+49 180 32 26 622	Muggenhofer Str. 135, 90429 Nürnberg
Eesti	+37 2 66 50 030	Pärnu mnt. 153, 11624 Tallinn
España	+34 902 11 63 88	Carretera M-300, Km. 29,900 Alcalá de Henares Madrid
France	www.electrolux.fr	
Great Britain	+44 8705 929 929	Addington Way, Luton, Bedfordshire LU4 9QQ
Hellas	+30 23 10 56 19 70	4, Limnou Str., 54627 Thessaloniki
Hrvatska	+385 1 63 23 338	Slavonska avenija 3, 10000 Zagreb
Ireland	+353 1 40 90 753	Long Mile Road Dublin 12
Italia	+39 (0) 434 558500	C.so Lino Zanussi, 26 - 33080 Porcia (PN)
Latvija	+37 17 84 59 34	Kr. Barona iela 130/2, LV-1012, Riga
Lietuva	+370 5 2780609	Ozo 10A, LT 08200 Vilnius
Luxembourg	+352 42 431 301	Rue de Bitbourg, 7, L-1273 Hamm
Magyarország	+36 1 252 1773	H-1142 Budapest XIV, Erzsébet királyné útja 87
Nederland	+31 17 24 68 300	Vennootsweg 1, 2404 CG - Alphen aan den Rijn
Norge	+47 81 5 30 222	Risløkkvn. 2 , 0508 Oslo
Österreich	+43 18 66 400	Herziggasse 9, 1230 Wien
Polska	+48 22 43 47 300	ul. Kolejowa 5/7, Warszawa
Portugal	+35 12 14 40 39 39	Quinta da Fonte - Edifício Gonçalves Zarco - Q 35 -2774-518 Paço de Arcos
Romania	+40 21 451 20 30	Str. Garii Progresului 2, S4, 040671 RO
Schweiz - Suisse - Svizzera	+41 62 88 99 111	Industriestrasse 10, CH-5506 Mägenwil
Slovenija	+38 61 24 25 731	Gerbičeva ulica 98, 1000 Ljubljana
Slovensko	+421 2 43 33 43 22	Electrolux Slovakia s.r.o., Electrolux Domáce spotrebiče SK, Seberiniho 1, 821 03 Bratislava
Suomi	www.electrolux.fi	
Sverige	+46 (0)771 76 76 76	Electrolux Service, S:t Göransgatan 143, S-105 45 Stockholm
Türkiye	+90 21 22 93 10 25	Tarlabası caddesi no : 35 Taksim İstanbul
Россия	+7 495 937 7837	129090 Москва, Олимпийский проспект, 16, БЦ "Олимпик"

## **Σας ευχαριστούμε που διαλέξατε τη συσκευή μας**

Ευχόμαστε να χαρείτε τη νέα σας συσκευή και ελπίζουμε να ξαναδιαλέξετε το brand μας σε επόμενη σας αγορά οικιακών συσκευών.

Παρακαλούμε, διαβάστε προσεκτικά τις οδηγίες χρήσεως και διατηρήστε το βιβλίο αυτό καθόλη τη διάρκεια του κύκλου ζωής του προϊόντος. Οι οδηγίες αυτές να μεταβιβαστούν σε οποιονδήποτε νέο χρήστη της συσκευής.



## Περιεχόμενα

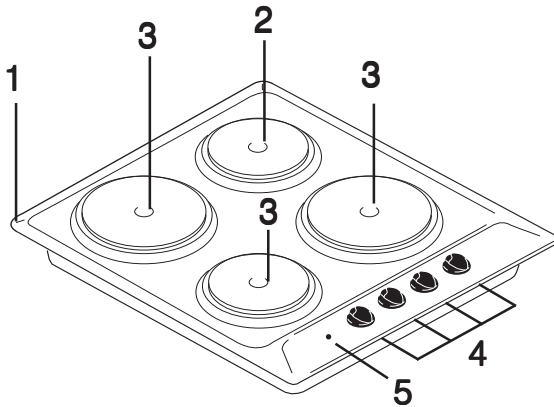
### Για το χρήστη

Περιγραφή των εστιών .....	65
Σημαντικές πληροφορίες ασφαλείας .....	66
Πριν από την πρώτη χρήση της συσκευής .....	68
Λειτουργία .....	68
Συντήρηση και Καθαρισμός .....	72
Κάτι δε λειτουργεί; .....	73
Σέρβις και αυθεντικά ανταλλακτικά .....	82
Εγγύηση/Εξυπηρέτηση πελατών .....	83
Ευρωπαϊκή εγγύηση .....	85

### Για τον τεχνικό εγκατάστασης

Οδηγίες για τον τεχνικό εγκατάστασης .....	74
Ηλεκτρική σύνδεση .....	75
Εγκατάσταση .....	79
Εντοχισμός .....	81

## Περιγραφή των εστιών



1. Εστίες
2. Γρήγορη εστία - 1500 W - Διάμ. 145 mm.
3. Γρήγορη εστία - 2000 W - Διάμ. 180 mm.
4. Διακόπτες λειτουργίας
5. Λυχνία παροχής ρεύματος

## Σημαντικές πληροφορίες ασφαλείας

Οι προειδοποιήσεις αυτές παρέχονται χάριν της ασφαλείας. ΠΡΕΠΕΙ να διαβάσετε προσεκτικά αυτές τις οδηγίες πριν την τοποθέτηση ή την χρήση της εστίας.

### Εγκατάσταση

- Είναι πολύ σημαντικό αυτό το βιβλίο οδηγιών να διατηρηθεί μαζί με τη συσκευή για μελλοντική αναφορά. Εάν η συσκευή πωληθεί ή μεταφερθεί, πάντοτε εξασφαλίζετε ότι το βιβλίο παραμένει με τη συσκευή έτσι ώστε και ο νέος ιδιοκτήτης να γνωρίσει τις λειτουργίες της συσκευής και τις σχετικές προειδοποιήσεις.
- Πριν διεξάγετε οποιαδήποτε εργασία, βεβαιωθείτε ότι η συσκευή έχει ΑΠΟΣΥΝΔΕΘΕΙ από την παροχή ρεύματος.
- Αφαιρέστε όλα τα υλικά συσκευασίας πριν χρησιμοποιήσετε τις εστίες.
- Μετά την αποσυσκευασία της συσκευής, εξασφαλίστε ότι δεν έχει υποστεί ζημιά και ότι το καλώδιο ηλεκτρικής τροφοδοσίας είναι σε τέλεια κατάσταση. Διαφορετικά, επικοινωνήστε με τον προμηθευτή σας πριν χρησιμοποιήσετε τη συσκευή.
- Ο κατασκευαστής αποποιείται οποιασδήποτε ευθύνης εάν δεν τηρούνται αυτοί οι κανόνες πρόληψης ατυχημάτων.
- Τα εκτεθειμένα μέρη της συσκευής ζεσταίνονται κατά τη χρήση και παραμένουν ζεστά για κάποιο χρονικό διάστημα ακόμη και αφού απενεργοποιηθεί η συσκευή. Κρατήστε τα παιδιά μακριά μέχρι να κρυώσει η συσκευή.

### Κατά τη διάρκεια της χρήσης

- Το προϊόν αυτό έχει σχεδιαστεί για μη επαγγελματική οικιακή χρήση, για το μαγείρεμα τροφίμων. Μην το χρησιμοποιείτε για οποιοδήποτε άλλο σκοπό.
- Είναι επικίνδυνο να τροποποιήσετε, ή να προσπαθήσετε να τροποποιήσετε τα χαρακτηριστικά αυτού του προϊόντος.
- Διατηρήστε τη συσκευή καθαρή. Τα κατάλοιπα τροφίμων μπορούν να δημιουργήσουν κίνδυνο πυρκαγιάς.
- Σε περίπτωση βλαβών, ποτέ μην προσπαθήσετε να επισκευάσετε μόνοι σας τη συσκευή. Οι επισκευές που πραγματοποιούνται από ανεπίσημα άτομα μπορεί να προκαλέσουν ζημιά και ατυχήματα. Πρώτα, συμβουλευτείτε αυτό το εγχειρίδιο. Εάν δε βρείτε τις πληροφορίες που χρειάζεστε, επικοινωνήστε με το πλησιέστερο σε εσάς κέντρο σέρβις. Βοήθεια για τη συσκευή αυτή θα πρέπει να παρασχεθεί από ένα εξουσιοδοτημένο κέντρο σέρβις. Πάντοτε να επιμένετε στη χρήση αυθεντικών ανταλλακτικών.
- Μετά τη χρήση της συσκευής, εξασφαλίστε ότι όλοι οι διακόπτες λειτουργίας βρίσκονται στη θέση "CLOSED" ή "OFF".
- Μη χρησιμοποιείτε ατμό ή συσκευές ατμού για τον καθαρισμό της συσκευής.
- Κατά τη χρήση ηλεκτρικής πρίζας κοντά σε αυτή τη συσκευή, εξασφαλίστε ότι τα ηλεκτρικά καλώδια οποιωνδήποτε ηλεκτρικών συσκευών σε χρήση δεν έρχονται σε επαφή με αυτήν και κρατήστε τα όσο πιο μακριά γίνεται από τα θερμαινόμενα τμήματα της συσκευής.

### Ασφάλεια ατόμων

- Αυτή η συσκευή πρέπει να χρησιμοποιείται μόνο από ενήλικες. Βεβαιωθείτε ότι τα παιδιά δεν παίζουν με τη συσκευή και δεν αγγίζουν τα χειριστήρια.
- Αυτή η συσκευή δεν προορίζεται για χρήση από παιδιά ή άλλα άτομα, των οποίων οι φυσικές, αισθητήριες ή νοητικές ικανότητες ή η έλλειψη εμπειρίας και γνώσης θα τα εμποδίσουν να χρησιμοποιήσουν τη συσκευή με ασφάλεια χωρίς επιτήρηση ή καθοδήγηση από κάποιο υπεύθυνο άτομο που θα διασφαλίσει ότι είναι σε θέση να χρησιμοποιήσουν τη συσκευή με ασφάλεια.



## Περιβαλλοντικές πληροφορίες

- Όλα τα χρησιμοποιούμενα υλικά είναι φιλικά προς το περιβάλλον και ανακυκλώσιμα. Παρακαλούμε συμβάλετε και εσείς στην προστασία του περιβάλλοντος χρησιμοποιώντας τα ειδικά διαφοροποιημένα κανάλια συλλογής απορριμμάτων.
- Οι συσκευές που δε χρησιμοποιούνται πλέον ή δεν μπορούν να χρησιμοποιηθούν δεν αποτελούν άχρηστα απορρίμματα. Μέσω της οικολογικής απόρριψης, διάφορα υλικά που χρησιμοποιούνται στην κατασκευή της συσκευής σας μπορούν να περισυλλεγούν.
- Μάθετε για τις δυνατότητες απόρριψης από τον ειδικευμένο προμηθευτή σας ή την τοπική αυτοδιοίκηση.
- Κατά την απόρριψη μιας παλιάς συσκευής, καταστήστε την άχρηστη, κόβοντας το καλώδιο τροφοδοσίας.



- Το σύμβολο πάνω στο προϊόν, ή στη συσκευασία του, υποδεικνύει ότι αυτό το προϊόν δεν μπορεί να θεωρηθεί οικιακό απόρριμμα. Αντί γι' αυτό, πρέπει να παραδοθεί στο κατάλληλο σημείο περισυλλογής για την ανακύκλωση ηλεκτρικού και ηλεκτρονικού εξοπλισμού. Εξασφαλίζοντας ότι η συσκευή αυτή απορρίπτεται κατάλληλα, θα βοηθήσετε στην πρόληψη πιθανά επιβλαβών συνεπειών για το περιβάλλον και την υγεία, οι οποίες θα μπορούσαν διαφορετικά να προκληθούν από ακατάλληλο χειρισμό αυτού του προϊόντος σαν απόρριμμα. Για πιο λεπτομερείς πληροφορίες σχετικά με την ανακύκλωση αυτού του προϊόντος παρακαλούμε επικοινωνήστε με την τοπική αρχή για την αποκομιδή απορριμμάτων ή με το κατάστημα από όπου αγοράσατε τη συσκευή.

**Κρατήστε αυτό το βιβλίο οδηγιών για μελλοντική παραπομπή και εξασφαλίστε ότι παραδίδεται στον όποιον νέο ιδιοκτήτη.**

## Οδηγός χρήσης των οδηγιών

Τα παρακάτω σύμβολα υπάρχουν στο κείμενο για να σας οδηγούν στις οδηγίες:



Οδηγίες ασφάλειας



Βήμα προς βήμα οδηγίες λειτουργίας



Συμβουλές





Περιβαλλοντικές πληροφορίες




Η συσκευή αυτή έχει κατασκευαστεί σύμφωνα με τις παρακάτω οδηγίες EOK:  
**2006/95 EOK - 93/68 EOK - 89/336 EOK - 90/396 EOK**,  
 τρέχουσα έκδοση.

## Πριν από την πρώτη χρήση της συσκευής

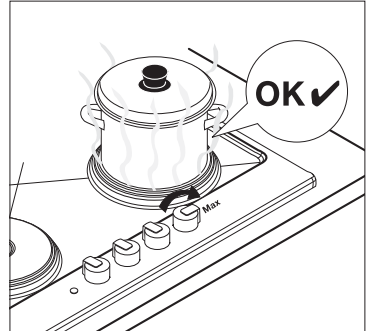
 Πριν χρησιμοποιήσετε τη συσκευή, αφαιρέστε όλα τα υλικά συσκευασίας, συμπεριλαμβανομένων των διαφημιστικών ετικετών και της προστατευτικής μεμβράνης.

 Κατά τη χρήση των εστιών για πρώτη φορά:

- 1) τοποθετήστε σε όλες τις εστίες ένα σκεύος με λίγο νερό,
- 2) ανάψτε τις εστίες για περίπου 10 λεπτά στη «μέγιστη» θέση μέχρι το νερό στα σκεύη να βράσει,
- 3) στη συνέχεια, περιστρέψτε το διακόπτη λειτουργίας στη θέση «ελάχιστη» και αφήστε τις εστίες να λειτουργήσουν για περίπου 20 λεπτά.
- 4) ανοίξτε ένα παράθυρο για εξαερισμό.

 Κατά τη διάρκεια της θέρμανσης, μπορεί να αναδυθεί λίγος καπνός και μια δυσάρεστη οσμή από τις εστίες. Αυτό είναι απόλυτα **φυσιολογικό**, και προκαλείται από υπολείμματα της διαδικασίας κατασκευής.

Αφού ολοκληρωθεί αυτή η εργασία, αφήστε τις εστίες να κρυώσουν, στη συνέχεια καθαρίστε τις με ένα μαλακό πανί μουσκεμένο σε χλιαρό νερό



Εικ. 1

## Λειτουργία

### Ηλεκτρικές εστίες

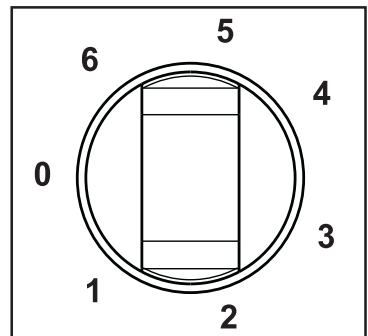
Για να ανάψει η εστία, περιστρέψτε το σχετικό διακόπτη χειρισμού δεξιόστροφα στην απαιτούμενη ρύθμιση θερμοκρασίας.

Ο διακόπτης διαθέτει αρίθμηση 1 - 6

0 - OFF

1 - Ελάχιστο

6 - Μέγιστο



Εικ. 2

## Γρήγορες εστίες

Οι γρήγορες εστίες υποδεικνύονται με μια κόκκινη κουκίδα και θερμαίνονται πιο γρήγορα από μια κανονική εστία. Το κόκκινο χρώμα των κουκίδων ενδέχεται να ξεθωριάσει με τη χρήση, ακόμα και να εξαφανιστεί εντελώς μετά από ένα διάστημα. **Αυτό δε θα επηρεάσει την απόδοση των εστιών.**

**i** Είναι σημαντικό να σημειώσετε ότι η εστία μπορεί να βγάλει καπνό και μια ελαφρά δυσάρεστη οσμή όταν χρησιμοποιηθεί για πρώτη φορά. Αυτό είναι απόλυτα φυσιολογικό και θα εξαφανιστεί μετά από λίγο.

## Λυχνία λειτουργίας ηλεκτρικών εστιών

Η λυχνία λειτουργίας ηλεκτρικών εστιών θα ανάβει κάθε φορά που ενεργοποιείται μια ζώνη μαγειρέματος.

Προτάσεις για τη σωστή ρύθμιση των εστιών δίνονται στον παρακάτω πίνακα.

OFF	<b>0</b>	
Πολύ απαλό	<b>1</b>	Για διατήρηση ζεστού φαγητού Για λιώσιμο βουτύρου και σοκολάτας.
Απαλό	<b>2</b>	Για προετοιμασία σαλτσών με κρέμα, μαγειρευτών και γλυκών με γάλα ή για τηγάνισμα αυγών.
Σιγανό	<b>3</b>	Στεγνά λαχανικά, κατεψυγμένα τρόφιμα, φρούτα, βράσιμο νερού ή γάλατος
Μέτριο	<b>4</b>	Βραστάς πατάτες, φρέσκα λαχανικά, πατέ, σούπες, ζωμοί, τηγανίτες ή ψάρια.
Υψηλό	<b>5</b>	Μεγάλα μαγειρευτά, ρολό κρέατος, ψάρια, ομελέτες, μπριζόλες.
Γρήγορο	<b>6</b>	Μπριζόλες, εσκαλόπ και τηγάνισμα.

## Για τη σωστή χρήση των εστιών

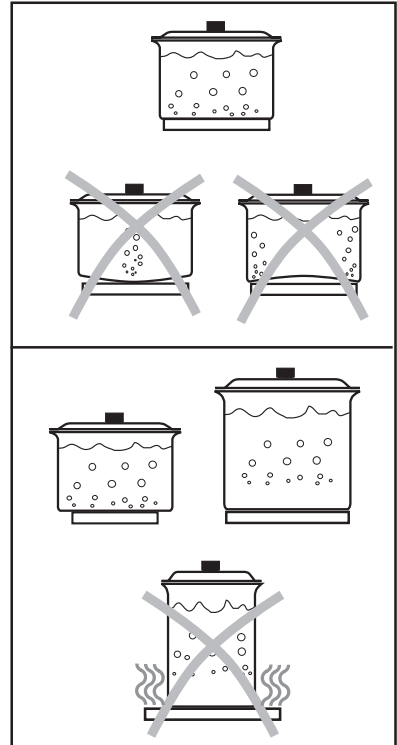
Για καλύτερη αποτελεσματικότητα των ηλεκτρικών εστιών και χαμηλότερη ηλεκτρική κατανάλωση:

- ανάψτε τις εστίες μόνο αφού τοποθετήσετε σε αυτές το μαγειρικό σκεύος.
- Για το μαγείρεμα στις ηλεκτρικές εστίες συνιστάται να χρησιμοποιείτε κατσαρόλες με τριπλό πάτο της ίδιας διαμέτρου με τη ζώνη μαγειρέματος, ή ελαφρά μεγαλύτερες (Εικ. 3).
- Μη χρησιμοποιείτε υγρές κατσαρόλες στις ηλεκτρικές εστίες, και μην ακουμπάτε υγρά καπάκια στις απενεργοποιημένες εστίες, διότι η υγρασία και το συμπύκνωμα μπορεί να προκαλέσει ζημιές.
- Εφόσον είναι δυνατό, τοποθετήστε τα καπάκια στις κατσαρόλες. Οι κατσαρόλες και τα τηγάνια από χαλκό και αλουμίνιο δεν είναι ιδιαίτερα κατάλληλα για το μαγείρεμα στις ηλεκτρικές εστίες διότι μπορεί να αφήσουν υπολείμματα, λεκέδες και σημάδια. Παρομοίως, ψησιέρες κρέατος από χυτοσίδηρο ή άλλα κράματα δεν είναι κατάλληλες για το μαγείρεμα στις ηλεκτρικές εστίες διότι προκαλούν επικίνδυνη συσσώρευση θερμότητας.

Επίσης, ο τραχύς πάτος μπορεί να γδάρει την εστία και το υλικό μπορεί να τη λεκιάσει. Επιλέξτε εάν είναι δυνατό μια ψησιέρα από ανοξείδωτο χάλυβα με τριπλό πάτο.

Η χρήση γυάλινων σκευών επίσης δε συνιστάται, διότι συνήθως έχουν πολύ ανώμαλους πάτους. Ποτέ μη χρησιμοποιείτε πλαστικά σκεύη.

- Μην τοποθετείτε ασταθή ή παραμορφωμένα σκεύη στις εστίες καθώς μπορεί να ανατραπούν ή να χύσουν τα περιεχόμενά τους και έτσι να προκαλέσουν ατύχημα.
- Τα μαγειρικά σκεύη δεν πρέπει να εισέλθουν στη ζώνη ελέγχου.



Εικ. 3

- Βεβαιωθείτε ότι δε χύνονται υγρά που βράζουν πάνω στις εστίες.
- Μην αφήσετε μια εστία αναμμένη χωρίς σκεύος ή με άδειο σκεύος.
- Μην τοποθετήσετε ένα σκεύος σε κρύα εστία ή το αφήσετε να κρυώσει σε απενεργοποιημένη εστία. Αυτό θα μπορούσε να προκαλέσει το σχηματισμό επιζήμιου συμπυκνώματος.
- Για ταχύτερο μαγείρεμα και για αποφυγή διασποράς της θερμότητας, συνιστάται να χρησιμοποιείτε κατσαρόλες με επίπεδο πάτο, για να εξασφαλίζεται η μέγιστη επαφή των πátων με τη ζώνη μαγειρέματος.
- Προσέξτε να μη γέρνετε ποτέ πάνω από ζεστή ηλεκτρική εστία. Τοποθετείτε τις λαβές των σκευών πάντοτε προς τα μέσα ή πάνω από τον πάγκο δίπλα στην εστία για να αποφύγετε την κατά λάθος ανατροπή ενός σκεύους καθώς περνάτε.
- Μη χρησιμοποιείτε τις εστίες για να θερμάνετε το χώρο.



**Προσέξτε όταν τηγανίζετε φαγητό σε καυτό λάδι ή λίπος, καθώς οι υπερθερμασμένες πιτσιλιές μπορεί να αναφλεγούν.**



**Ο ανοξειδωτος χάλυβας μπορεί να μαυρίσει εάν θερμανθεί υπερβολικά. Συνεπώς το παρατεταμένο μαγείρεμα με σκεύη από στεατίτη, πηλό ή χυτοσίδηρο δε συνιστάται. Επίσης μη χρησιμοποιείτε αλουμινόχαρτο για προστασία της εστίας κατά τη χρήση.**

## Συντήρηση και καθαρισμός

**⚠** Πριν πραγματοποιηθεί οποιαδήποτε εργασία συντήρησης ή καθαρισμού, πρέπει να ΑΠΟΣΥΝΔΕΣΕΤΕ τη συσκευή από την ηλεκτρική τροφοδοσία.

**⚠** Αυτή η συσκευή δεν μπορεί να καθαριστεί με ατμό ή ατμοκαθαριστή.

Οι εστίες είναι καλύτερο να καθαρίζονται όσο είναι ακόμη ζεστές, καθώς μπορεί να αφαιρεθεί ευκολότερα οτιδήποτε έχει χυθεί παρά όταν αφεθεί να κρυώσει.

### Η επιφάνεια των εστιών

Σκουπίζετε τακτικά τις εστίες με ένα καλά συμμένο μαλακό πανί βρεγμένο με χλιαρό νερό στο οποίο έχει προστεθεί λίγο υγρό πιάτων. Αποφύγετε τη χρήση των παρακάτω:

- οικιακά απορρυπαντικά και λευκαντικά,
- εμποτισμένα σφουγγαράκια ακατάλληλα για αντικολλητικά σκεύη,
- σύρμα κατσαρόλας,
- αφαιρετικά λεκέδων μπιανέρας/νεροχύτη.

Εάν οι εστίες λερωθούν πολύ, συνιστάται η χρήση των παρακάτω προϊόντων:

- Για εστίες από ανοξείδωτο χάλυβα χρησιμοποιείστε ένα ειδικό καθαριστικό ανοξείδωτου χάλυβα.
- Για άλλες εστίες χρησιμοποιήστε Hob Brite ή Bar Keepers Friend.

Οι διακόπτες λειτουργίας μπορούν να αφαιρεθούν τραβώντας τους προσεκτικά προς τα επάνω για ευκολότερο καθαρισμό.

**⚠** Μην αφήνετε όξινες ή αλκαλικές ουσίες (π.χ. ξύδι, αλάτι, χυμό λεμονιού, κλπ.) στις εστίες.

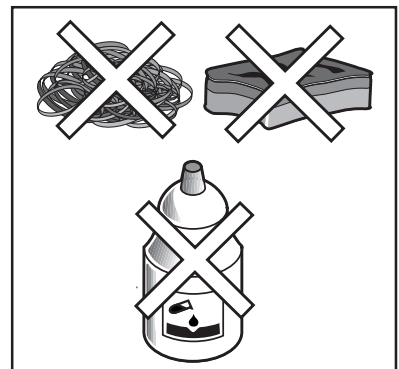
### Οι εστίες

Χυμένα τρόφιμα στην ίδια την εστία πρέπει να αφαιρούνται με χρήση ζεστού νερού και μιας μαλακής βούρτσας, νάιλον ή πλαστικής ξύστρας. Για να διατηρηθεί η καινούρια εμφάνιση των εστιών, μπορείτε να αγοράσετε ένα υλικό φροντίδας εστιών από τα περισσότερα χρωματοπωλεία π.χ.. "4 Hob" από την HomeCare Products (ακολουθήστε τις οδηγίες του κατασκευαστή).

Εναλλακτικά, αλείψτε τις εστίες με μια σταγόνα ελαιόλαδο σε μια πετσέτα κουζίνας για να αποφύγετε τη σκουριά. Είναι σημαντικό να σημειώσετε ότι η εστία θα βγάλει καπνό και μια ελαφρά δυσάρεστη οσμή όταν χρησιμοποιηθεί την επόμενη φορά.

Μέρη από ανοξείδωτο χάλυβα: οι δακτύλιοι υπερχειλίσης από ανοξείδωτο χάλυβα μπορεί με τη χρήση να αποκτήσουν ένα χρώμα σταχτού. Χρησιμοποιείστε ένα ειδικό καθαριστικό ανοξείδωτου χάλυβα για να απομακρύνετε αυτό τον αποχρωματισμό. Αυτό ισχύει επίσης και για την περιοχή γύρω από τις εστίες στις εστίες από ανοξείδωτο χάλυβα.

**i** Εάν δεν καθαριστούν και φροντιστούν οι εστίες μπορεί να δημιουργηθεί σκουριά και διάβρωση στην επιφάνεια.



Εικ. 4



## Κάτι δε λειτουργεί;

Εάν οι εστίες δε λειτουργούν σωστά, παρακαλούμε πραγματοποιήστε τους παρακάτω ελέγχους, πριν επικοινωνήσετε με το τοπικό σας κέντρο σέρβις.

**ΣΗΜΑΝΤΙΚΟ:** Εάν καλέσετε τεχνικό για κάποια από τις βλάβες που αναγράφονται παρακάτω, ή για επισκευή μιας βλάβης που προκλήθηκε από λανθασμένη χρήση ή εγκατάσταση, θα χρεωθείτε ακόμη και εάν ισχύει η εγγύηση της συσκευής.

Σύμπτωμα	Λύση
<ul style="list-style-type: none"> <li>■ Η εστία δε θερμαίνεται.</li> </ul>	<ul style="list-style-type: none"> <li>◆ Ελέγξτε ότι η συσκευή είναι συνδεδεμένη στην πρίζα και ότι η παροχή ρεύματος είναι ενεργοποιημένη.</li> <li>◆ Ελέγξτε ότι δεν έχει καεί κάποια ηλεκτρική ασφάλεια</li> <li>◆ Ελέγξτε ότι γυρίσατε το σωστό διακόπτη.</li> </ul>
<ul style="list-style-type: none"> <li>■ Η απόδοση της εστίας δεν είναι ικανοποιητική.</li> </ul>	<ul style="list-style-type: none"> <li>◆ Ελέγξτε ότι η εστία είναι καθαρή και στεγνή.</li> <li>◆ Ελέγξτε ότι το μαγειρικό σκεύος έχει το σωστό μέγεθος για τη συγκεκριμένη εστία.</li> <li>◆ Ελέγξτε ότι το μαγειρικό σκεύος έχει επίπεδη βάση.</li> <li>◆ Ελέγξτε ότι η ρύθμιση είναι κατάλληλη για το συγκεκριμένο τύπο μαγειρέματος.</li> </ul>

Αν μετά τους παραπάνω ελέγχους, η συσκευή εξακολουθεί να μη λειτουργεί, επικοινωνήστε με το τοπικό σας κέντρο σέρβις.

Παρακαλούμε σημειώστε ότι θα χρειαστεί να προσκομίσετε απόδειξη αγοράς για οποιοδήποτε κλίσεις για σέρβις εντός της εγγύησης.

**Οι πελάτες που καλύπτονται από την εγγύηση θα πρέπει να εξασφαλίζουν ότι πραγματοποιήθηκαν οι παραπάνω έλεγχοι καθώς ο τεχνικός θα επιβάλει χρέωση εάν η βλάβη δεν είναι μηχανική ή ηλεκτρική.**

## Οδηγίες για τον τεχνικό εγκατάστασης

### Τεχνικά στοιχεία για τεχνικό

#### Κατανάλωση αντιστάσεων

Γρήγορη εμπρός αριστερή εστία  
Ø 180 mm 2000 W

Γρήγορη πίσω αριστερή εστία  
Ø 145 mm 1500 W

Γρήγορη εμπρός δεξιά εστία  
Ø 145 mm 1500 W

Γρήγορη πίσω δεξιά εστία  
Ø 180 mm 2000 W

Συνολική κατανάλωση 7000 W

Τάση λειτουργίας 230 V~ 50 Hz

#### Διαστάσεις εγκοπής

Πλάτος: 550 mm

Βάθος: 470 mm

#### Συνολικές διαστάσεις

Πλάτος: 580 mm

Βάθος: 500 mm

## Ηλεκτρική σύνδεση



Οποιοσδήποτε ηλεκτρολογικές εργασίες απαιτούνται για την εγκατάσταση αυτών των εστιών πρέπει να πραγματοποιηθούν από εκπαιδευμένο ηλεκτρολόγο ή αρμόδιο άτομο, σε συμμόρφωση με τους υπάρχοντες κανονισμούς.



**ΑΥΤΕΣ ΟΙ ΕΣΤΙΕΣ ΠΡΕΠΕΙ ΝΑ ΓΕΙΩΘΟΥΝ.**

Ο κατασκευαστής αποποιείται οποιασδήποτε ευθύνης εάν αυτά τα μέτρα ασφαλείας δεν τηρούνται.

Πριν την ενεργοποίηση, βεβαιωθείτε ότι η τάση της ηλεκτρικής τροφοδοσίας είναι η ίδια με εκείνη που αναγράφεται στην πινακίδα τεχνικών χαρακτηριστικών. Η πινακίδα τεχνικών χαρακτηριστικών βρίσκεται στο κάτω μέρος των εστιών. Υπάρχει ένα αντίγραφο στο οπισθόφυλλο αυτού του εγχειριδίου.

Η συσκευή παρέχεται χωρίς καλώδιο τροφοδοσίας. Πρέπει να τοποθετηθεί ένα 3-κλωνο εύκαμπτο καλώδιο τροφοδοσίας, σύμφωνα με τις προδιαγραφές που δίνονται στους αντίστοιχους πίνακες.



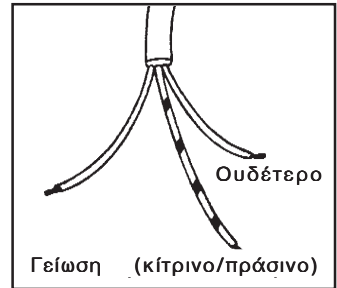
- 1) Αφαιρέστε το κάλυμμα από τους ακροδέκτες τροφοδοσίας στο κάτω μέρος των εστιών, για να αποκαλυφθεί το μπλοκ ακροδεκτών τροφοδοσίας.
- 2) Χαλαρώστε τις βίδες των δύο σφιγκτήρων καλωδίων και ανασηκώστε το επάνω τμήμα του σφιγκτήρα αρκετά για να μπορέσετε να περάσετε το καλώδιο.
- 3) Συνδέστε το κόκκινο (ρευματοφόρο) καλώδιο στον ακροδέκτη με το νούμερο **1**.
- 4) Συνδέστε το μαύρο (ουδέτερο) καλώδιο στον ακροδέκτη με το νούμερο **4**.
- 5) Αφού τοποθετήσετε μια πράσινη ή κίτρινη/πράσινη επένδυση στο γυμνό χάλκινο καλώδιο (καλώδιο γείωσης), συνδέστε το εκτεθειμένο

άκρο στον ακροδέκτη που φέρει το σύμβολο της γείωσης (⚡) ή το νούμερο 5.

### ΣΗΜΕΙΩΣΗ:

Το καλώδιο της γείωσης πρέπει να είναι περίπου 2 cm. μακρύτερο από το ηλεκτροφόρο και ουδέτερο καλώδιο (Εικ. 5).

- 6) Στερεώστε το καλώδιο με τις βίδες του σφιγκτήρα και επανατοποθετήστε το κάλυμμα του μπλοκ ακροδεκτών.



Εικ. 5

Οι εστίες πρέπει να συνδεθούν σε ένα διπολικό διακόπτη με ελάχιστο διάκενο 3 mm. μεταξύ των επαφών και τύπου κατάλληλου για το απαιτούμενο φορτίο σύμφωνα με τους τρέχοντες ισχύοντες κανονισμούς. Ο διακόπτης πρέπει να βρίσκεται εντός 2m από τις εστίες και να είναι εύκολα προσβάσιμος μετά την ολοκλήρωση της εγκατάστασης.

Ο διακόπτης δεν πρέπει να διακόπτει το κίτρινο και πράσινο καλώδιο της γείωσης σε οποιοδήποτε σημείο.



**Εξασφαλίστε ότι το καλώδιο τροφοδοσίας των εστιών δεν έρχεται σε επαφή με επιφάνειες θερμοκρασίας υψηλότερης των 50 βαθμών. C.**

Ο κατασκευαστής αποποιείται οποιασδήποτε ευθύνης εάν δεν τηρούνται αυτοί οι κανόνες πρόληψης ατυχημάτων.




Η αντικατάσταση του καλωδίου τροφοδοσίας πρέπει να πραγματοποιηθεί αποκλειστικά από το κέντρο σέρβις ή από προσωπικό με παρόμοιες αρμοδιότητες, σε συμμόρφωση με τους υπάρχοντες κανονισμούς.

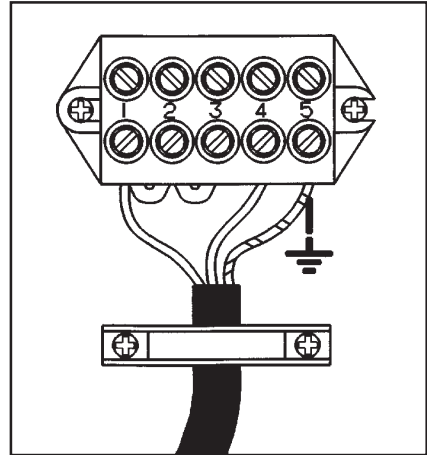
## Ηλεκτρική σύνδεση στο κυτίο ακροδεκτών

Η συσκευή είναι εξοπλισμένη με 5-πολικό κυτίο ακροδεκτών τα καλώδια του οποίου είναι προδιευθετημένα για μονοφασική λειτουργία 230 V (Εικ. 6).

Σε περίπτωση διαφορετικής τάσης, πραγματοποιήστε τη σύνδεση όπως φαίνεται στον πίνακα «ΕΠΙΛΟΓΗ ΚΑΛΩΔΙΟΥ ΣΥΝΔΕΣΗΣ ΚΑΙ ΜΕΓΕΘΟΥΣ ΑΣΦΑΛΕΙΑΣ» παρακάτω.

Το καλώδιο της γείωσης πρέπει να συνδεθεί στον ακροδέκτη με το σύμβολο .

Μετά τη σύνδεση του καλωδίου στον ακροδέκτη, ασφαλίστε το με ένα σφιγκτήρα καλωδίου.



Εικ. 6

## Προδιαγραφές καλωδίου τροφοδοσίας

Ελάχ. μέγεθος Καλωδίου / σύρμα	Καλωδίου / τύπος σύρματος	Ασφάλειας
2,5 mm <sup>2</sup>	H05 V2V2-F (T90)	30 A

## ΕΠΙΛΟΓΗ ΚΑΛΩΔΙΟΥ ΣΥΝΔΕΣΗΣ ΚΑΙ ΜΕΓΕΘΟΥΣ ΑΣΦΑΛΕΙΑΣ (σε Amp)

Τύπος σύνδεση	Μονοφασικό	Τριφασικό	Τριφασικό Υ 3φ. + ουδέτερο	Διφασικό Υ 2φ. + ουδέτερο
Σύνδεσης καλώδιο με ακροδέκτες κυτίο	 1 2 3 4 ⊕ L1 N PE	 1 2 3 4 ⊕ L1 L2 L3 PE	 1 2 3 4 ⊕ L1 L2 L3 N PE	 1 2 3 4 ⊕ L1 L2 N PE
Δικτύου τάση	230 V ~	230 V 3 ~	400 V 3N ~	400 V 2N ~
Θερμαντική αντίσταση τάση	230 V	230 V	230 V	230 V
Πλήρως ηλεκτρική συσκευή	3 X 2,5 mm <sup>2</sup>	4 X 1,5 mm <sup>2</sup>	5 X 1,5 mm <sup>2</sup>	4 X 1,5 mm <sup>2</sup>
	24 A	13 A	13 A	13 A

## Εγκατάσταση



Οι εστίες πρέπει να εγκατασταθούν σύμφωνα με τις παρεχόμενες οδηγίες.

Παρακαλούμε, εξασφαλίστε ότι, μετά την εγκατάσταση των εστιών, αυτές θα είναι εύκολα προσβάσιμες από τεχνικό στην περίπτωση βλάβης.

### Όταν οι εστίες εγκαθίστανται για πρώτη φορά



Μετά από την εγκατάσταση των εστιών, είναι σημαντικό να αφαιρεθούν οποιαδήποτε προστατευτικά υλικά, τα οποία τοποθετήθηκαν στο εργοστάσιο.

**Ο κατασκευαστής δεν αποδέχεται καμία ευθύνη, εάν δεν τηρηθούν οι παραπάνω οδηγίες ή οποιοσδήποτε άλλες από τις οδηγίες ασφάλειας που περιλαμβάνονται σε αυτό το βιβλίο.**

Οι εστίες αυτές μπορούν να τοποθετηθούν σε έπιπλο με άνοιγμα των διαστάσεων που δίνονται στην Εικ. 7. Το άνοιγμα για την τοποθέτηση πρέπει να απέχει τουλάχιστον 55 mm από τον πίσω τοίχο. Πιθανοί πλευρικοί τοίχοι στα δεξιά ή αριστερά των εστιών οι οποίοι βρίσκονται ψηλότερα πρέπει να απέχουν τουλάχιστον 100 mm από το άνοιγμα στον πάγκο.

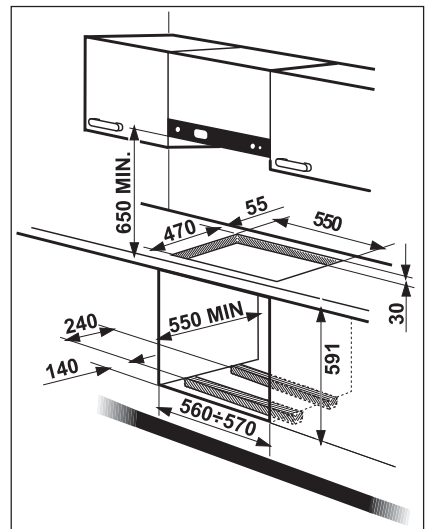
### Τοποθέτηση των εστιών στον πάγκο.



Εκτελέστε τον εντοιχισμό της εστίας ως εξής:

- Τοποθετήστε τις σχετικές στεγανοποιήσεις, που παρέχονται, στα άκρα του ανοίγματος που προετοιμάστηκε για την εγκατάσταση, προσέχοντας οι άκρες να συναντώνται χωρίς να υπερκαλύπτονται,

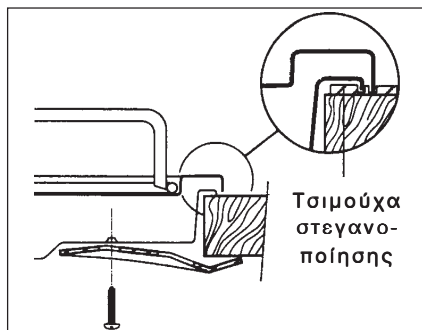
Οι διαστάσεις δίνονται σε χιλιοστά



Εικ. 7

- Τοποθετήστε την εστία στην εγκοπή, προσέχοντας το κεντράρισμά της.
- Στερεώστε την εστία με τους σχετικούς σφιγκτήρες στερέωσης (Εικ. 8).

Το άκρο της εστίας σχηματίζει μια διπλή στεγανοποίηση η οποία εμποδίζει την είσοδο υγρών.



Εικ. 8



## Εντοιχισμός

### Σε καμπίνα βάσης με πόρτα

Πρέπει να ληφθεί σωστή μέριμνα στο σχεδιασμό της καμπίνας, έτσι ώστε να αποφευχθεί κάθε δυνατή επαφή με το υπερθερμασμένο περίβλημα της εστίας κατά τη λειτουργία. Η συνιστώμενη λύση για αποφυγή αυτού του προβλήματος εμφανίζεται στην εικ. 9.

Ο πίνακας κάτω από την εστία πρέπει να αφαιρεθεί εύκολα για να επιτρέψει την εύκολη στερέωση και απελευθέρωση των εστιών σε περίπτωση τεχνικής παρέμβασης για σέρβις.

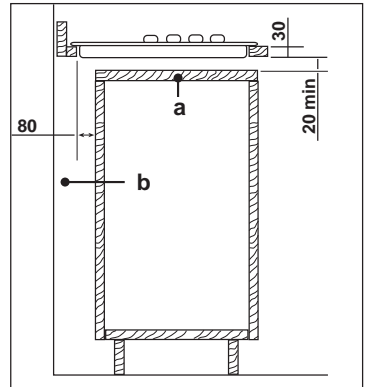
### Σε καμπίνα βάσης με φούρνο

Οι διαστάσεις της εγκατάστασης των εστιών πρέπει να είναι σύμφωνες με τις ενδείξεις που δίνονται στην εικ. 7 και πρέπει να διαθέτει στηρίγματα που να επιτρέπουν μια συνεχή παροχή αέρα.

Δύο πιθανές λύσεις για να αποφευχθεί η υπερθέρμανση περιγράφονται στην εικ. 10 και 11.

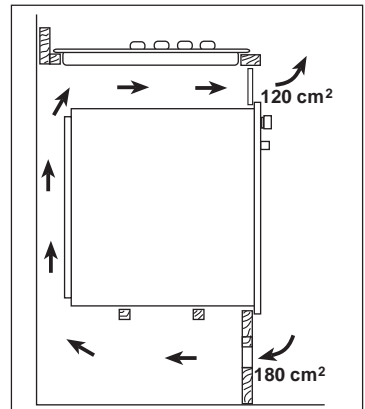
Οι ηλεκτρικές συνδέσεις των εστιών και του φούρνου πρέπει να πραγματοποιούνται ξεχωριστά, τόσο για λόγους ασφαλείας όσο και για να επιτρέπεται η ευκολότερη απομάκρυνση του φούρνου από το ντουλάπι.

Τοίχοι ή απορροφητήρες πρέπει να απέχουν τουλάχιστον 650 mm από τις εστίες (Εικ. 7).

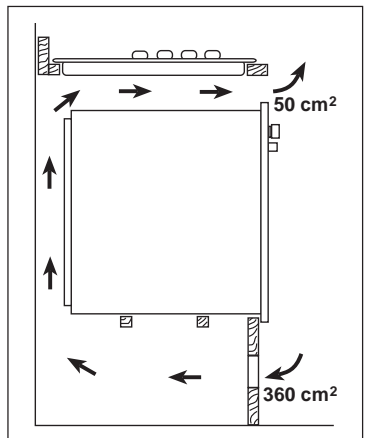


Εικ. 9

- a) αφαιρούμενος πίνακας καμπίνας
- b) χώρος πιθανά χρήσιμος για συνδέσεις



Εικ. 10



Εικ. 11

## Σέρβις και αυθεντικά ανταλλακτικά

Η συσκευή αυτή πριν φύγει από το εργοστάσιο δοκιμάστηκε και μελετήθηκε από πολλούς ειδικούς προκειμένου να παράσχει το καλύτερο δυνατό αποτέλεσμα.

Οποιαδήποτε εργασία επισκευής χρειαστεί να πραγματοποιηθεί θα πρέπει να εκτελεστεί με τη μέγιστη φροντίδα και προσοχή.

Για το λόγο αυτό συνιστούμε για οποιοδήποτε πρόβλημα να επικοινωνήσετε με τον προμηθευτή από όπου αγοράσατε τη συσκευή, ή με το πλησιέστερο σε εσάς κέντρο σέρβις, καθορίζοντας το είδος της βλάβης, το μοντέλο της συσκευής (Mod.), τον αριθμό προϊόντος (Prod. No.) και τον αριθμό σειράς (Ser. No.) που είναι σημειωμένοι στην πινακίδα τεχνικών χαρακτηριστικών που παρέχεται στο κιτ των μπεκ.

Αυθεντικά ανταλλακτικά, πιστοποιημένα από τον κατασκευαστή και που φέρουν αυτό το σύμβολο είναι διαθέσιμα μόνο από το δικό μας κέντρο σέρβις και εξουσιοδοτημένα καταστήματα ανταλλακτικών.



## Εγγύηση/Εξυπηρέτηση πελατών

Hellas

### ΠΙΣΤΟΠΟΙΗΤΙΚΟ ΕΓΓΥΗΣΗΣ

Το πιστοποιητικό αυτό δεν βλάπτει τα δικαιώματα που προβλέπονται από την Ευρωπαϊκή Οδηγία 1999/44/EC και την Ελληνική νομοθεσία για τα οποία ο Καταναλωτής είναι και παραμένει κάτοχος.

### Διάρκεια και όροι ισχύος της εγγύησης

Η Εταιρεία εγγυάται την καλή λειτουργία της συσκευής, σύμφωνα με τις προδιαγραφές του Κατασκευαστή, και την μη ανεπάρκεια των υλικών που χρησιμοποιήθηκαν για την κατασκευή της. Κατά τη διάρκεια ισχύος της εγγύησης η εταιρεία δεσμεύεται να επαναφέρει τη συσκευή σε ομαλή λειτουργία, επισκευάζοντας ή αντικαθιστώντας κάθε τυχόν ελαττωματικό μέρος χωρίς χρέωση στον Καταναλωτή.

Η εγγύηση έχει διάρκεια 24 μήνες από την ημερομηνία αγοράς της συσκευής και για να έχει πλήρη ισχύ θα πρέπει:

- η ημερομηνία αγοράς να αποδεικνύεται από θεωρημένο έγγραφο αγοράς (τιμολόγιο ή απόδειξη λιανικής) στο οποίο να αναγράφονται το όνομα του πωλητή, η ημερομηνία αγοράς και τα στοιχεία ταυτότητας της συσκευής (είδος, τυπολογία).
- η συσκευή να χρησιμοποιείται για οικιακούς σκοπούς και σε κάθε περίπτωση όχι στα πλαίσια επιχειρηματικών και επαγγελματικών δραστηριοτήτων.
- όλες οι εργασίες εγκατάστασης και σύνδεσης της συσκευής στα δίκτυα ενέργειας (ηλεκτρισμού, ύδρευσης, αερίου) να γίνονται ακολουθώντας λεπτομερώς τις οδηγίες που αναγράφονται

στις Οδηγίες Χρήσης και στα ενδεχόμενα Έγγραφα Οδηγιών για την εγκατάσταση.

- όλες οι εργασίες χρήσης της συσκευής, όπως και η περιοδική συντήρηση να γίνονται σύμφωνα με τις οδηγίες και τους όρους που αναγράφονται στο Βιβλίο με τις Οδηγίες Χρήσης.
- οποιαδήποτε επισκευή ή γενικά επέμβαση να πραγματοποιείται από προσωπικό των Εξουσιοδοτημένων από την εταιρεία Κέντρων Τεχνικής Εξυπηρέτησης και τα ανταλλακτικά που χρησιμοποιούνται να είναι τα γνήσια.

Ο Καταναλωτής μπορεί να απευθύνεται στα τμήματα Τεχνικής Εξυπηρέτησης της εταιρείας ή το πλησιέστερο Εξουσιοδοτημένο Κέντρο Τεχνικής Εξυπηρέτησης.

Η ενδεχόμενη επισκευή ή αντικατάσταση μερών της συσκευής ή της ίδιας της συσκευής δεν παρατείνουν την διάρκεια της παρούσας εγγύησης, η οποία συνεχίζει, σε κάθε περίπτωση, έως την λήξη των 24 μηνών.

## Όροι εξαίρεσης

Δεν καλύπτονται από την παρούσα Εγγύηση οι επεμβάσεις, οι επισκευές και τα ενδεχόμενα ανταλλακτικά μέρη που θα αποδειχθούν ελαττωματικά λόγω:

- εσφαλμένης εγκατάστασης
- ακαταλληλότητας συνθηκών λειτουργίας (χαρακτηριστικά, ιδιότητες και σύσταση των προϊόντων ενέργειας)
- αμέλειας και απροσεξίας κατά την χρήση
- μη τήρησης των Οδηγιών Χρήσης και Συντήρησης
- συντήρησης ή επισκευών οι οποίες έγιναν από μη εξουσιοδοτημένο προσωπικό
- χρήσης μη γνήσιων ανταλλακτικών και αναλωσίμων

- ζημιών κατά την μεταφορά της συσκευής
- ζημιών από περιστατικά και/ή γεγονότα που προήλθαν λόγω ανωτέρας βίας

Η παρούσα Εγγύηση δεν επεκτείνεται στις συσκευές που πωλούνται ή χρησιμοποιούνται σε μία ξένη χώρα. Ο καταναλωτής μπορεί να ωφεληθεί από τους όρους της Ευρωπαϊκής Εγγύησης.

## Περιορισμοί της ευθύνης του Κατασκευαστή

Ο κατασκευαστής αποποιείται κάθε ευθύνης για ενδεχόμενες βλάβες που μπορεί να προέρχονται, άμεσα ή έμμεσα, από άτομα, πράγματα ή ζώα, λόγω μη τήρησης όλων των οδηγιών που αναγράφονται στο σχετικό Βιβλίο Οδηγιών Χρήσης και που αναφέρονται ειδικά στο ζήτημα εγκατάστασης, χρήσης και συντήρησης της συσκευής.

### Electrolux Hellas sa

Λήμνου 4, 546 27 Θεσσαλονίκη  
e-mail: elux@electrolux.com.gr

### Electrolux Service sa

Τεχνική Υποστήριξη και Ανταλλακτικά  
Θεσσαλονίκη: Λήμνου 4 Τηλ. 0310 561970-3, 0310 561981-2  
Αθήνα: Αγ. Γερασίμου 2 & Τριών Ιεραρχών 1, Άλιμος Τηλ. 010 9854876-7  
e-mail: electrolux.service@electrolux.com.gr




## Ευρωπαϊκή Εγγυηση

Η συσκευή αυτή είναι εγγυημένη από την Electrolux σε κάθε μια από τις χώρες που αναγράφονται στο πίσω μέρος αυτού του εγχειριδίου για την περίοδο που καθορίζεται από την εγγύηση της συσκευής ή διαφορετικά από τη νομοθεσία. Εάν μετακινηθείτε από μια από αυτές τις χώρες σε κάποια άλλη από τις παρακάτω αναγραφόμενες χώρες η εγγύηση της συσκευής μετακινείται μαζί σας υπό τους παρακάτω όρους:

- Η εγγύηση της συσκευής ξεκινά από την ημερομηνία πρώτης αγοράς της συσκευής η οποία αποδεικνύεται με την παρουσίαση ενός έγκυρου εγγράφου απόδειξης αγοράς το οποίο εκδόθηκε από τον πωλητή της συσκευής.
- Η εγγύηση της συσκευής ισχύει για το ίδιο χρονικό διάστημα και για το ίδιο εύρος κάλυψης σε ότι αφορά την εργασία και τα ανταλλακτικά όπως ισχύει και στη νέα χώρα διαμονής σας για το συγκεκριμένο μοντέλο ή σειρά συσκευών.
- Η εγγύηση της συσκευής είναι προσωπική του αρχικού αγοραστή της συσκευής και δεν μπορεί να μεταβιβαστεί σε άλλο χρήστη.
- Η συσκευή εγκαθίσταται και χρησιμοποιείται σύμφωνα με τις οδηγίες που εκδίδει η Electrolux και χρησιμοποιείται μόνο εντός της οικίας, δηλ., δεν χρησιμοποιείται για εμπορικούς σκοπούς.
- Η συσκευή εγκαθίσταται σύμφωνα με όλους τους σχετικούς κανονισμούς οι οποίοι ισχύουν στη νέα χώρα διαμονής σας.

Οι όροι αυτής της Ευρωπαϊκής Εγγύησης δεν επηρεάζουν οποιοδήποτε από τα δικαιώματα τα οποία σας αναγνωρίζει ο νόμος.

www.electrolux.com

		
Albania	+35 5 4 261 450	Rr. Pjeter Bogdani Nr. 7 Tirane
Belgique/België/Belgien	+32 2 363 04 44	Bergensesteenweg 719, 1502 Lembeek
Česká republika	+420 2 61 12 61 12	Budějovická 3, Praha 4, 140 21
Danmark	+45 70 11 74 00	Sjællandsgade 2, 7000 Fredericia
Deutschland	+49 180 32 26 622	Muggenhofer Str. 135, 90429 Nürnberg
Eesti	+37 2 66 50 030	Pärnu mnt. 153, 11624 Tallinn
España	+34 902 11 63 88	Carretera M-300, Km. 29,900 Alcalá de Henares Madrid
France	www.electrolux.fr	
Great Britain	+44 8705 929 929	Addington Way, Luton, Bedfordshire LU4 9QQ
Hellas	+30 23 10 56 19 70	4, Limnou Str., 54627 Thessaloniki
Hrvatska	+385 1 63 23 338	Slavonska avenija 3, 10000 Zagreb
Ireland	+353 1 40 90 753	Long Mile Road Dublin 12
Italia	+39 (0) 434 558500	C.so Lino Zanussi, 26 - 33080 Porcia (PN)
Latvija	+37 17 84 59 34	Kr. Barona iela 130/2, LV-1012, Riga
Lietuva	+370 5 2780609	Ozo 10A, LT 08200 Vilnius
Luxembourg	+352 42 431 301	Rue de Bitbourg, 7, L-1273 Hamm
Magyarország	+36 1 252 1773	H-1142 Budapest XIV, Erzsébet királyné útja 87
Nederland	+31 17 24 68 300	Vennootsweg 1, 2404 CG - Alphen aan den Rijn
Norge	+47 81 5 30 222	Risløkkvn. 2 . 0508 Oslo
Österreich	+43 18 66 400	Herziggasse 9, 1230 Wien
Polska	+48 22 43 47 300	ul. Kolejowa 5/7, Warszawa
Portugal	+35 12 14 40 39 39	Quinta da Fonte - Edifício Gonçalves Zarco - Q 35 -2774-518 Paço de Arcos
Romania	+40 21 451 20 30	Str. Garii Progresului 2, S4, 040671 RO
Schweiz - Suisse - Svizzera	+41 62 88 99 111	Industriestrasse 10, CH-5506 Mägenwil
Slovenija	+38 61 24 25 731	Gerbičeva ulica 98, 1000 Ljubljana
Slovensko	+421 2 43 33 43 22	Electrolux Slovakia s.r.o., Electrolux Domáce spotrebiče SK, Seberíniho 1, 821 03 Bratislava
Suomi	www.electrolux.fi	
Sverige	+46 (0)771 76 76 76	Electrolux Service, S:t Göransgatan 143, S-105 45 Stockholm
Türkiye	+90 21 22 93 10 25	Tarlabası caddesi no : 35 Taksim Istanbul
Россия	+7 495 937 7837	129090 Москва, Олимпийский проспект, 16, БЦ "Олимпиак"



[www.electrolux.com](http://www.electrolux.com)



## Free Manuals Download Website

<http://myh66.com>

<http://usermanuals.us>

<http://www.somanuals.com>

<http://www.4manuals.cc>

<http://www.manual-lib.com>

<http://www.404manual.com>

<http://www.luxmanual.com>

<http://aubethermostatmanual.com>

Golf course search by state

<http://golfingnear.com>

Email search by domain

<http://emailbydomain.com>

Auto manuals search

<http://auto.somanuals.com>

TV manuals search

<http://tv.somanuals.com>