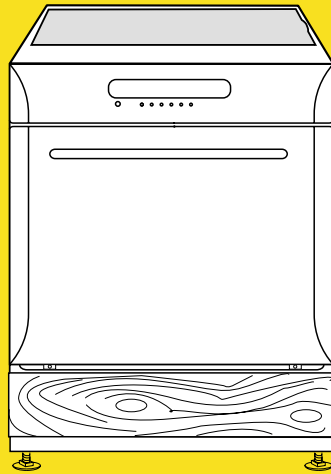


ZANUSSI

DISHWASHER ZDS 699 EX



Contents

For the user

Important safety information	3
Description of the appliance	4
The control panel	4
Before use	7
Setting the water softener	7
Filling with salt	8
Rinse aid	9
Using your appliance	10
Loading your appliance	10
The lower basket	10
The cutlery basket	11
The upper basket	12
Adjusting the height of the upper basket	12
Use of detergent	13
Hints and tips	14
Washing programmes	15
Operating sequence	16
Maintenance and cleaning	18
Internal cleaning	18
Cleaning the filters	18
External cleaning	19
Prolonged periods of non-operation	19
Frost precautions	19
Moving the machine	19
Something not working	20
Protection against flooding	21
Service and spare parts	21
Customer Care Department	21
Guarantee conditions	22
Zanussi Service Force	23
Hints for test centres	25
Technical specifications	25

For the installer

Installation instructions	26
Water supply connections	26
Water outlet hose connection	27
Electrical connection	28
Building-in	29

Guide to use the instruction book

The following symbols will be found in the text to guide you throughout the instructions:



Safety instructions

1. 2. 3.

Step by step



Hints and tips



Environmental information



Important safety information

It is most important that this instruction book should be retained with the appliance for future reference. Should the appliance be sold or transferred to another owner, or should you move house and leave the appliance, always ensure that the book is left with the appliance in order that the new owner can get to know the functioning of the appliance and the relevant safety information.

This information has been provided in the interest of your safety. You MUST read it carefully before installing or using the appliance.

Installation

- This appliance is heavy. Care should be taken when moving it.
- It is dangerous to alter the specifications or attempt to modify this product in any way.
- Care must be taken to ensure that the appliance does not stand on the electrical supply cable.
- Any electrical work required to install this appliance should be carried out by a qualified electrician or competent person.
- Any plumbing work required to install this appliance should be carried out by a qualified plumber or competent person.
- Do not sit or stand on the open door.
- Isolate the appliance from the power supply and turn off the water supply after use.
- Care should be taken when cleaning the bottom door seal and hinge area as any exposed metal edges may cut if care is not taken.
- This product should be serviced by an authorised Service engineer, and only genuine spare parts should be used.
- Under no circumstances should you attempt to repair the machine yourself. Repairs carried out by inexperienced persons may cause injury or serious malfunctioning. Contact your local Service Force Centre. Always insist on genuine spare parts.

Child Safety

- This appliance is designed to be operated by adults. Children should not be allowed to tamper with the controls or play with the product.
- Keep all packaging well away from children.
- Keep all detergents in a safe place out of children's reach.

During Use

- Items that are contaminated by petrol, paint, steel or iron debris, corrosive, acidic or alkaline chemicals must not be washed in this dishwasher.
- Under no circumstances should you open the door whilst the appliance is in operation. Always turn off the appliance before opening the door.
- Only use detergent specifically designed for use in dishwashers.
- Long bladed knives stored in an upright position are a potential hazard.
- Long and/or sharp items of cutlery such as carving knives must be positioned horizontally in the upper basket.
- When finishing loading or unloading close the door, as an open door can be a hazard.

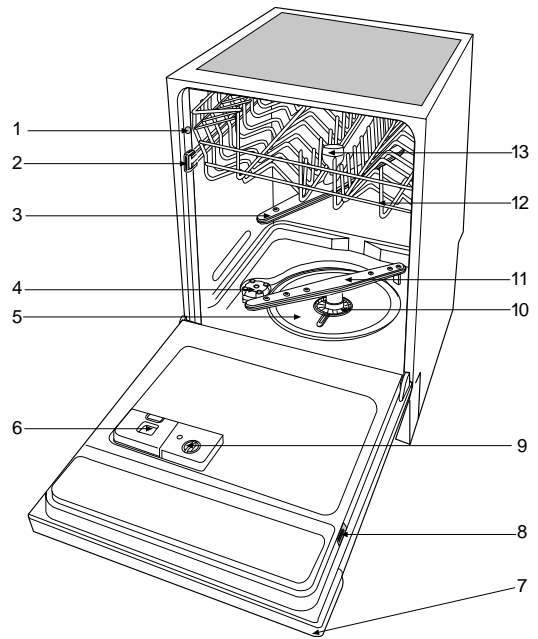
Conservation

In the interest of the environment:

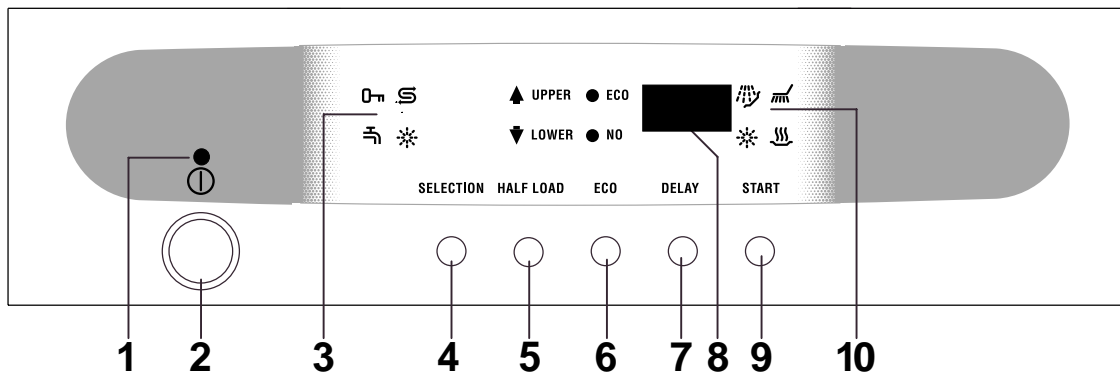
- Materials marked with the symbol ♻ are recyclable.
- Check with your local Council or Environmental Health Office to see if there are facilities in your area for re-cycling this appliance.
- When the appliance is to be scrapped, cut off the power supply cable and make the door closing device unusable to prevent young children from being trapped inside.
- Help to keep your country tidy - use authorised disposal sites for your old appliance.

Description of the appliance

1. Levelling spacers
2. Upper basket stop
3. Upper spray arm
4. Salt container
5. Large filter
6. Detergent dispenser
7. Control panel
8. Rating plate
9. Rinse aid dispenser
10. Central filter
11. Lower spray arm
12. Upper basket
13. "SID" detergent dispenser



The control panel



1. **On/Off indicator light**

2. **On/Off push button**

3. **Indicator lights**

 **Open door**

Illuminates when the door has not been properly closed.

 **Salt**

Illuminates when the salt has run out, to remind you to refill the salt container.

 **Water tap**

Flashes when:

- The water tap is closed.
- The mains water supply has been cut off.
- The inlet hose may be blocked.

 **Rinse aid**

Illuminates when the rinse aid has run out, to remind you to refill the rinse aid dispenser.

4. **Programme selection push button**

For the setting of the wash programme refer to the "Washing programmes" chart.

5. Half load push button

By pressing this push button, washing can be confined to a single basket.

The indicator light corresponding to the selected basket comes on and for some programmes the prewash phase will be automatically excluded.

This option is useful and economical when only a few dishes need washing.

Remember to load all the dishes into the selected basket.

If both indicator lights are off, washing will be carried out in both baskets.

This option is not available with programmes 1 (Rinse and Hold) and 10 (Plate warmer).

6. Eco drying push button

By pressing this push button you can opt to shorten (**ECO**) or completely eliminate (**NO**) the drying cycle, so making a considerable energy saving.

The indicator light corresponding to the selection will come on.

This option is not available with programmes 1 (Rinse and Hold) and 10 (Plate warmer).

If NO drying is selected the supply of rinse aid is automatically excluded.

If both indicator lights are off, the full drying cycle will be carried out.

7. Delay start push button

Allows the start of the programme to be delayed by a minimum of 1 hour, up to 12 hours.

8. Digital display

9. Programme start push button

This is the last push button to press after having set the programme and closed the door.

It starts the programme.

10. Programme phase indicator lights

Each phase is indicated with a symbol:

 Prewash/Rinse and Hold

 Wash

 Rinse

 Drying

As soon as you select a washing programme, this illuminates all the phases the programme consists of.

As the programme progresses, the phase under way will illuminate.

At the end of the programme the phase indicator lights turn off.

Audible signals

Audible signals have been introduced to help indicate which operations the dishwasher is performing.

Short "instruction accepted" signal

When any of the push buttons are pressed, a short audible signal informs you that the machine has accepted the instruction given.

Long "programme run" signal

A continuous audible signal informs you that the washing programme is starting.

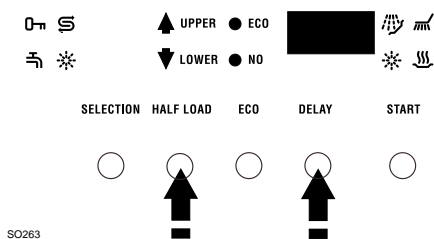
Intermittent "end of programme" signal

An intermittent audible signal informs you that the wash programme has ended.

"Alarm" intermittent signal

The machine is fitted with a number of alarm systems to help you determine the cause of any problems (see "Something not working").
An intermittent audible signal informs you that an alarm is activated.

To deactivate these audible signals, press simultaneously and keep pressed both **HALF LOAD** and **DELAY** push buttons.
After about 3 seconds 3 short intermittent audible signals inform you that the audible signals have been deactivated.



To reactivate these audible signals, press simultaneously and keep pressed both **HALF LOAD** and **DELAY** push buttons.
After about 3 seconds 3 short intermittent audible signals inform you that the audible signals have been reactivated.

i Both operations (to deactivate or reactivate the audible signals) must be carried out before starting a washing programme; the setting will remain memorised after switching off the dishwasher.

Before use

Before using your dishwasher for the first time:

1. Ensure that the electrical and water connections comply with the installation instructions
2. Remove all packaging from inside the appliance
3. Set the water softener
4. Pour 1 litre of water inside the salt container and then fill with salt
5. Fill the rinse aid dispenser.
6. Run a "Rinse and Hold" programme.

Setting the water softener

The dishwasher is equipped with a water softener designed to remove minerals and salts from the water supply, which would have a detrimental or adverse effect on the operation of the appliance.

The higher the content of these salts, the harder your water is.

Water hardness is measured in equivalent scales, Clarke degrees, French degrees and PPM (parts per Million).

The softener should be adjusted according to the hardness of the water in your area. Your local Water Authority can advise you on the hardness of the water in your area.

The dishwasher is factory set at level 4.

If this level is not suitable for your area the softener should be adjusted.

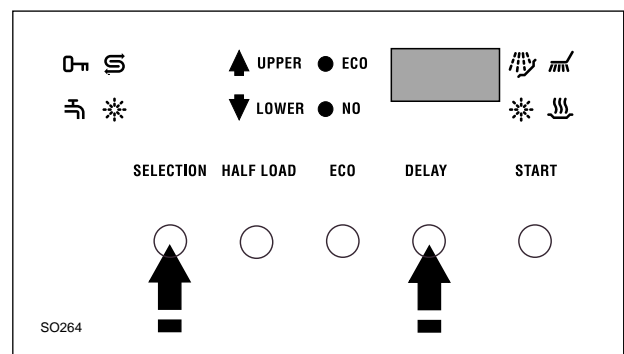
i The adjustment of the water softener is possible only with the machine in setting mode.

To select a different level proceed as follows:

1. Press **SELECTION** and **DELAY** push buttons simultaneously for about 5 seconds. In the display appears a "L" followed by a number which corresponds to the current level.
2. Press within 5 seconds the **DELAY** push button as many times as necessary until the required level appears in the display. The level increases by 1 each time the button is pressed.
3. 5 seconds after this button has last been pressed, the dishwasher memorises the level selected and returns to the programme setting mode.

Level	Water hardness		
	Clarke degrees	French degrees (°TH)	PPM (Parts per Million)
0	0 - 6	0 - 8	0 - 80
1	7 - 10	9 - 14	81 - 140
2	11 - 14	15 - 20	141 - 200
3	15 - 21	21 - 30	201 - 300
4	22 - 28	31 - 40	301 - 400
5	29 - 35	41 - 50	401 - 500
6	36 - 42	51 - 60	501 - 600
7	43 - 49	61 - 70	601 - 700
8	50 - 56	71 - 80	701 - 800
9	57 - 84	81 - 120	801 - 1200

i If your water is level 0 it is already soft and therefore there is no need to use salt. With the setting of the water softener at level 0 the salt indicator light on the control panel will always remain off. Use salt from level 1 upwards.



Filling with salt

i Only use salt specifically designed for use in dishwashers. All other types of salt not specifically designed for use in a dishwasher, especially table salt, will damage the water softener.

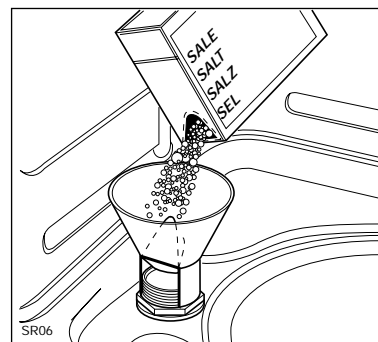
Only fill with salt just before starting one of the complete washing programmes. This will prevent any grains of salt or salty water, which may have been spilled, remaining on the bottom of the machine for any period of time, which may cause corrosion.

To fill:

1. To fill with salt, unscrew the cap of the salt container.
2. Pour 1 litre of water inside the container (this is necessary only before filling with salt for the first time).
3. Using the funnel provided, pour in the salt until the container is full. Do not worry if water over flows from the unit when filling with salt, this is quite normal.
4. Replace the cap making sure that there is no trace of salt on the screw thread or on the gasket.
5. Screw on the cap tightly.

The salt container will require topping up periodically.

You are reminded of this by the salt indicator light on the control panel which comes on when the salt has finished.



i The salt indicator light on the control panel can remain illuminated for 2-6 hours after the salt has been replenished, assuming the dishwasher remains switched on. If you are using salts that take longer to dissolve then this can take longer. The function of the machine is not affected.

Rinse aid

Rinse aid is automatically added during the last rinse, ensuring thorough rinsing, and spot and streak free drying. The dispenser, which is positioned inside the door, holds about 110 ml of rinse aid, which is sufficient for 16 - 40 dishwashing programmes, depending upon the dosage setting.

Filling with rinse aid

1. Open the container by turning the lid (A) anticlockwise.
2. Add the rinse aid until the container is completely full. The indicator (B) will be completely dark.
3. Top up the rinse aid when the rinse aid indicator light on the control panel illuminates.

Ensure that the lid is closed after every refill.

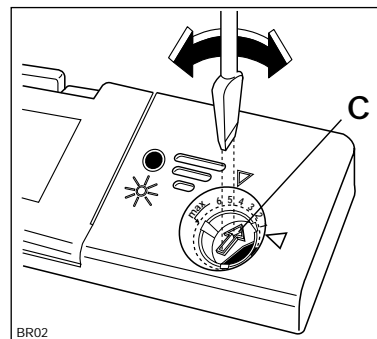
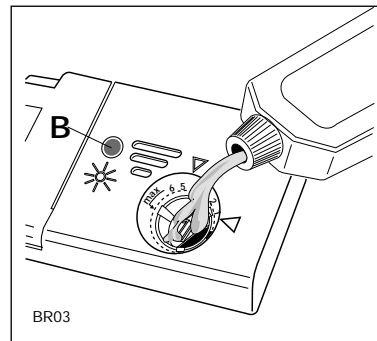
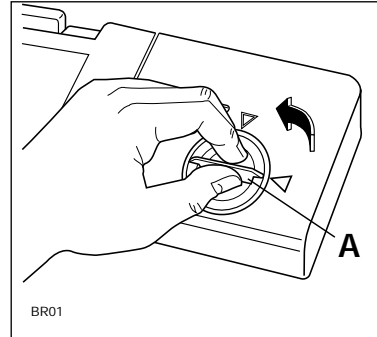
Do not put liquid detergent in the rinse aid compartment. Clean up any rinse aid spilt during filling with an absorbent cloth to avoid excess foaming during the next wash.

Adjusting the dose

According to the finish and drying results obtained, adjust the dose of rinse aid by means of the 6 position selector (C) (position 1 minimum dosage, position 6 maximum dosage).

Start from position 3.

Gradually increase the dose if there are drops of water or lime spots on the dishes after washing. Reduce it if there are sticky whitish streaks on the dishes.



Using your appliance

Loading your appliance

Before placing dishes in the machine, remove any scraps of food, to avoid clogging the filters and consequently reducing the performance.

i Do not load very small items which can fall through the baskets.

Open the door and slide out the baskets to load the dishes.

The lower basket

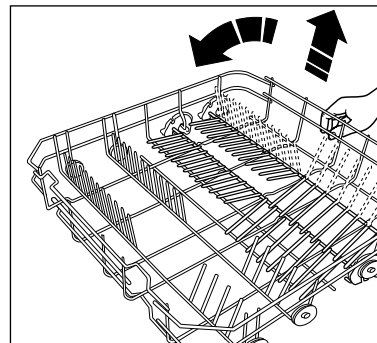
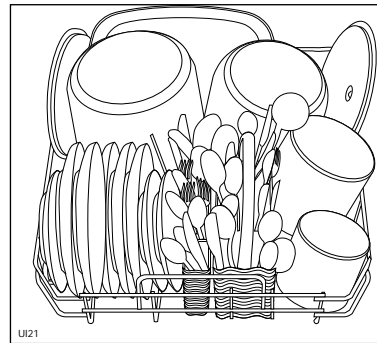
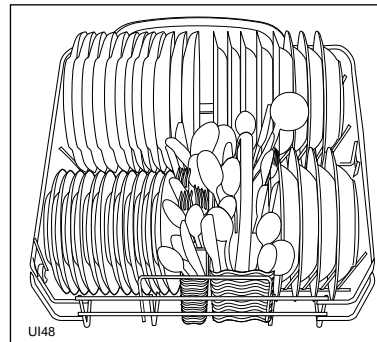
The lower basket is designed to take saucepans, lids, plates, salad bowls, cutlery etc.

Large dishes and lids should be arranged around the edge of the basket, ensuring that the upper spray arm can turn freely.

The two rear rows of prongs on the lower basket can be easily lowered to allow you to load pots, pans and bowls.

To lower the prongs:

- Slightly pull them upward and let them drop down (see picture).
- To bring them back to the standing position, just pull them up again.



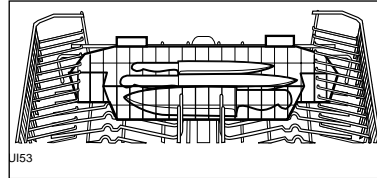
The cutlery basket



Long bladed knives stored in an upright position are a potential hazard. These items should only be placed in the removable knife basket. Take care when loading or unloading sharp items such as knives.

Removable knife basket

Long and/or sharp items of cutlery such as carving knives must be placed horizontally in the removable knife basket, which is positioned at the rear of the upper basket.



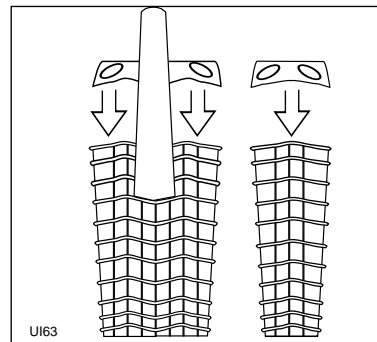
Cutlery should be placed in the removable cutlery basket with the handles facing downwards. If the handles protrude from the bottom of the basket, obstructing the lower spray arm, load the cutlery with the handles facing upwards.

Ensure that cutlery is positioned in the compartments and that soiled surfaces do not touch each other.

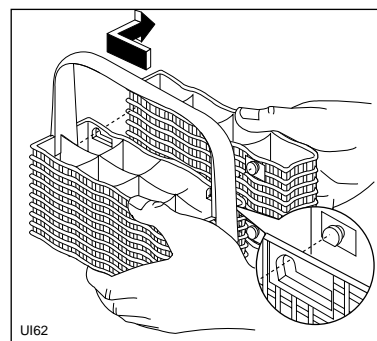
For best results use the cutlery grid/s inserts provided.

Mix spoons with other cutlery to prevent them from sticking together.

Silver cutlery tends to go black if mixed with steel cutlery. Place it in the cutlery basket separate from the others.



The cutlery basket is in two parts which can be separated to give greater loading flexibility. To separate the two parts, slide them horizontally in opposite directions and pull them apart. To reassemble, reverse the procedure.



The upper basket

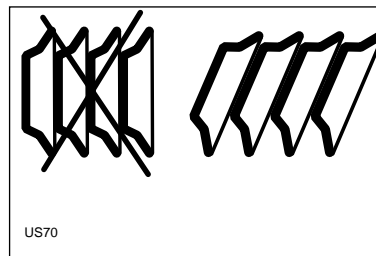
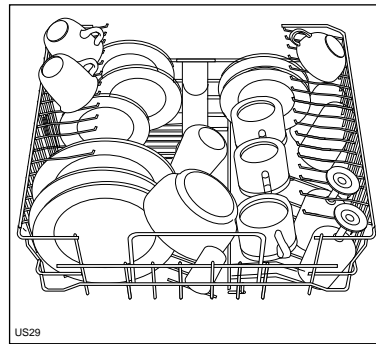
The upper basket is designed for plates (dessert plates, saucers, dinner plates of up to 24 cm in diameter), salad bowls, cups and glasses.

If dishes are loaded in the upper basket, tilt them forwards.

Arrange items on and underneath the fold-down cup racks so that water can reach all surfaces.

Light items (plastic bowls etc.) should be loaded in the upper basket and arranged so they do not move.

i Before closing the door, ensure that the spray arms can rotate freely.



Adjusting the height of the upper basket

If washing very large plates (over 27 cm and up to 31 cm in diameter) you can load them in the lower basket after moving the upper basket to the higher position.

To move to the higher position proceed as follows:

1. Pull out the basket until it stops.
2. Carefully lift both sides upwards until the mechanism is engaged and the basket is stable.

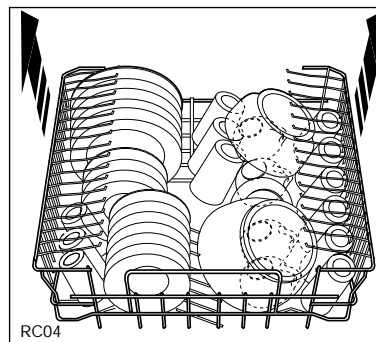
i When the top basket is in the higher position it will only take plates up to 20 cm in diameter and you will not be able to use the raised cup racks.

To lower the basket to the original position proceed as follows:

1. Pull out the basket until it stops.
2. Carefully lift both sides upwards and allow the mechanism to drop back slowly, keeping hold of it.

i Never lift or lower the basket on one side only.

! After loading your machine always close the door, as an open door can be a hazard.



Use of detergent

i Only use detergents specifically designed for use in dishwashers.

We recommend the use of **Finish** detergents which are available in the following options:

Finish Double Action Tablets. Each tablet has the exact amount of detergent required, simply place in the dispenser.

Finish Powder recommended for every day use.

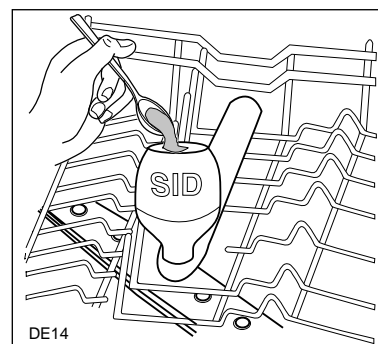
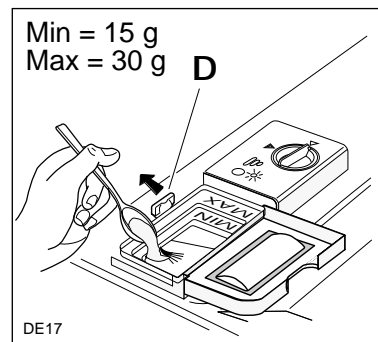
Finish Liquid Gel ideal for every day use. As the gel is extra gentle it is recommended for fine bone china.

If using powder detergents proceed as follows:

1. Open the dispenser lid by pulling the catch (D).
2. Add the detergent according to the recommended quantity given in the "Washing programmes" chart. As all detergents are not the same, you should also consult the instructions from the manufacturer of your brand.
3. Always close the lid.
4. If the programme has a prewash add the required detergent in the SID detergent dispenser, located in the centre of the upper basket. (See "Washing programmes" chart).

If using detergent in tablets proceed as follows:

1. For all programmes; place 1 tablet inside the detergent dispenser.
2. Always close the lid.
3. For all programmes with prewash; place a portion of a further tablet on the lid of the detergent dispenser.



Insufficient quantities of detergent will produce poor washing results, whereas an excessive amount of detergent will not improve washing results and is also wasteful.
Using no more than the correct amount also contributes to reducing pollution.

Compact detergents with enzymes

In these compact powders the environmentally unfriendly components have been replaced by natural enzymes and other more biodegradable substances.

The enzymes deploy their full dirt dissolving power at a temperature as low as 50°C.

By choosing the "BIO" programmes you can therefore achieve the same cleaning results that would otherwise be achievable only with 65°C programmes and conventional detergents.

These new compact powders are generally phosphate-free.

Hints and tips

To save energy

Place dishes in the machine immediately after every meal and wait until the dishwasher is full before washing.

If necessary run the Rinse and Hold programme (see "Washing Programmes" chart) so that any food scraps do not become caked on the dishes while you are waiting to run the complete wash programme.

Do not prewash dishes under running water.

Select an economic programme when dishes are not very soiled, following the instructions given in the "Washing programmes" chart.

Select a drying option.

Select the half load option if only a few dishes need washing.

For best washing results

Before loading, remove all scraps of food and soak very heavily soiled pots and pans.

Arrange saucepans, cups and glasses etc. upside-down.

Tilt items with convex or concave surfaces so that the water drains off easily.

Avoid contact between the dishes as far as possible.

Items not suitable for dishwashers

The following items should not be washed in the dishwasher (unless they are sold as dishwasher proof):

- Cutlery with wooden or horn handles or glued parts
- bronze cutlery
- saucepans with wooden handles
- aluminium ware
- crystal ware
- leaded glass
- plastic items
- antique or fine decorated china

Certain types of decoration can discolour when washed in a dishwasher.

Crystal-ware and plastic objects, if not guaranteed dishwasher proof should be washed by hand.

Certain types of glass can also become opaque after being washed several times in a dishwasher.

A chemical reaction can occur between silver cutlery and stainless steel cutlery. As a precaution, do not wash together.

Iron and cast iron objects can rust and stain other items.

Aluminium tends to go black, copper, pewter and brass tend to stain.



If in doubt check with manufacturer of the item.

When buying new dishes, ensure that they are dishwasher proof.

For best results we recommend the use of Finish detergents, rinse aid and salt.



DE15

Washing programmes

Programme	Degree of soil and type of load	Recommended quantity of detergent		Cycle description
		wash	prewash	
1. RINSE AND HOLD	Any. Partial load (to be completed later in the day).	/	/	1 cold rinse (to avoid food scraps from sticking together).
2. INTENSIVE 70°C	Heavy soil. Crockery, cutlery, pots and pans	25 g	10 g	Hot prewash Main wash up to 70°C 3 cold rinses 1 hot rinse Turbo drying
3. NORMAL PLUS 65°C WITH PREWASH	Normal soil. Crockery, cutlery, pots and pans	25 g	10 g	Warm prewash Main wash up to 65°C 2 cold rinses 1 hot rinse Turbo drying
4. NORMAL 65°C WITH PREWASH	Normal soil. Crockery and cutlery	25 g	5 g	Cold prewash Main wash up to 65°C 2 cold rinses 1 hot rinse Turbo drying
5. ECONOMY 50°C WITH PREWASH	Light soil. Crockery and cutlery	25 g	5 g	Cold prewash Main wash up to 50°C 2 cold rinses 1 hot rinse Turbo drying
* 6. BIO 50°C WITH PREWASH	Normal soil. Crockery and cutlery	25 g	5 g	Cold prewash Main wash up to 50°C 2 cold rinses 1 hot rinse Turbo drying
7. BIO 50°C NO PREWASH	Light soil. Crockery and cutlery	30 g	/	Main wash up to 50°C 1 cold rinse 1 hot rinse Turbo drying
** 8. QUICK WASH 55°C	Light soil. Crockery and party crockery	30 g	/	Main wash up to 55°C 1 cold rinse 1 hot rinse
9. DELICATE 45°C WITH PREWASH	Light soil. Delicate china and glassware	25 g	5 g	Cold prewash Main wash up to 45°C 2 cold rinses 1 hot rinse Turbo drying
10. PLATE WARMER	This is a programme designed both to heat plates before serving or remove dust from dishes which have not been used for a long time.	/	/	1 hot rinse

* Testing programme for EN 50242 (see "Hints for Test Centres").

** This is a special programme for quick washing a full load of lightly soiled dishes, glasses and crockery (except pots) so that you may re-use them promptly.

Important! if you select the "half load" option remember to reduce the quantity of detergent.

Operating sequence

1. Check the filters

Ensure they are clean and properly positioned (see "Maintenance and cleaning").

2. Press the On/Off push button

The display will show the last selected programme and the corresponding phase indicator lights will illuminate.
If the door is open also the "open door" indicator light will illuminate.

3. Check that there is rinse aid and salt

The corresponding indicator lights will illuminate if refilling is necessary.

4. Load the dishes

Remove any scraps of food.
Pull the lower basket out and arrange the saucepans, plates and cutlery in it.
Pull the upper basket out and arrange the plates, saucers, glasses and cups etc. in it.
Slide the baskets back into the machine.

5. Ensure that the spray arms can rotate freely.

6. Measure out detergent

Add the required amount of detergent into the dispenser.
Close the detergent dispenser lid.

7. Close the dishwasher door

8a. Setting and starting the programme without "delay start"

Press the "programme selector" push button until the required programme number appears in the digital display.

The following options may also be selected:

- a- **Half load** by pressing the corresponding push button.
- b- **Eco drying** by pressing the corresponding push button.

Press the **START** push button, an audible signal advises you that the programme has started.

The display will show the running time of the programme and the indicator lights of the phases will turn off except for the indicator light of the current phase.

The time in the digital display will start to decrease from minute to minute.

Pressing the "programme selector" push button while the programme is running will display the number of the current programme.

If the door is opened during the run of the programme the current phase will be interrupted and the digital display will show the number of the programme. The indicator light of the interrupted phase will start to flash and the indicator light "open door" will illuminate.

Once the door is closed the programme will start from the point where it was interrupted.

8b. Setting and starting the programme with "delay start"

Once a programme and required options have been selected to use **DELAY** proceed as follows:

Press the **DELAY** push button. The digital display will show "h 0". Press the button again to select the number of hours by which you wish to delay the programme start (up to a maximum of 12 hours).

The delay start will not modify the settings made previously .

To set the time setting to zero press the **DELAY** push button until "h 0" appears in the digital display.

Press the **START** pushbutton.

The digital display shows the delay time required before the start of the programme.

The start of the countdown will be confirmed by the flashing "h" in the digital display.

Once the delayed time has elapsed the programme will start automatically.

Empty the lower basket first and then the upper one; this will avoid water dripping from the upper basket onto the dishes in the lower one.



Important!

In general it is not advisable to open the door while the machine is working; if the door is opened however, a safety device ensures that the machine stops.

Care must be taken if the door is opened during the hot phase or immediately after a programme has finished, as steam may escape.



When the washing programme has finished, it is recommended that the dishwasher is unplugged and the water tap turned off.

9. To cancel a programme in progress

Press the "**START**" pushbutton for 5 seconds to cancel the setting or the running of the current programme.

All the indicator lights will turn off and 3 horizontal lines will appear in the digital display.

After 5 seconds the dishwasher will return to setting mode.

It is now possible to select a new washing programme.

10. At the end of the washing programme

The dishwasher will automatically stop and an intermittent audible signal will sound when the programme has ended.

3 flashing horizontal lines will appear in the digital display and all the indicator lights will turn off.

To return to setting mode press any of the pushbuttons or switch off and then switch on the dishwasher.

Open the door and wait a few minutes before removing the dishes; in this way they will be cooler and the drying will be improved.

Maintenance and cleaning

Internal cleaning

Ensure that the seals around the door, the detergent and rinse aid dispensers are cleaned regularly with a damp cloth.

We recommend the use of Finish Dishwasher Cleaner every 3 months or run a 65°C wash without dishes using detergent. Regular use of Finish Dishwasher Cleaner cleans inaccessible parts, eliminates unpleasant food odours and helps prevent the build-up of limescale.

Cleaning the central filter

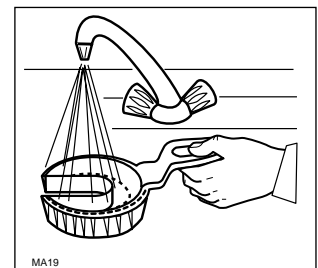
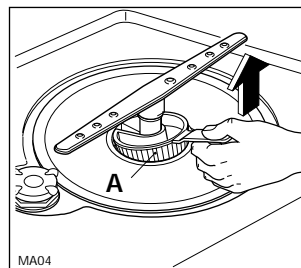
(After each wash)

Scraps of food may accumulate in the drain filter (A) and should be removed by rinsing the filter under running water.

To remove the drain filter

- simply pull it out by the handle.

Once cleaned, refit the filter by pushing it back to its original position until it engages.



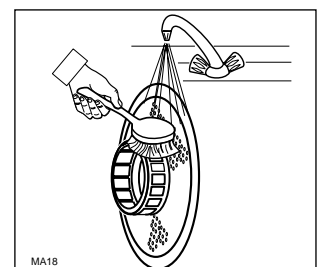
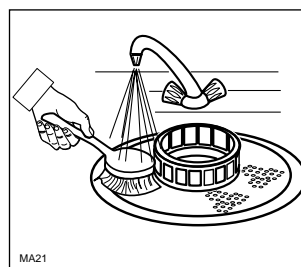
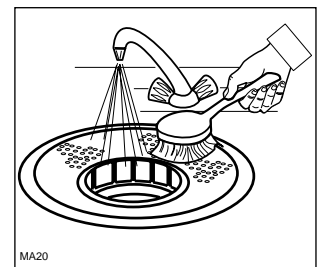
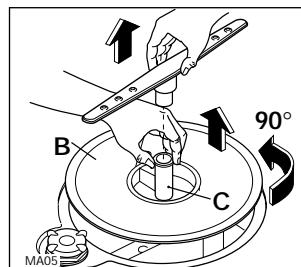
Cleaning the large filter

(Every week)

If necessary clean the large filter (B) on both sides under running water, using a brush.

To remove the large filter

1. Remove the spray arm by pulling it upwards on one side.
2. Turn the column (C) anticlockwise by 90° and then slide out the filter.
3. Once cleaned refit it following the above instructions in reverse order.
4. Ensure the filter is in its original position, the handle of the drain filter should be pointing towards the front of the appliance.



i The dishwasher must not be used without filters.

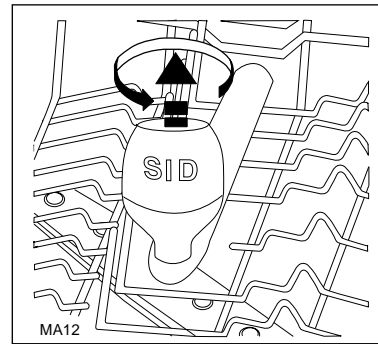
Incorrect repositioning and fitting of the filters will produce poor washing results. Cleaning the filters is vital to ensure correct operation of the machine.

Check that the SID is not clogged with detergent residue. If necessary rinse it under running water after having removed it from the basket by twisting it anticlockwise and pulling it upwards.

Fasten it back onto the support by turning it clockwise.

i **Never use your dishwasher without the SID dispenser.**

Since SID also ensures correct distribution of the water to the upper spray arm, running the dishwasher without it will impair the washing results.



External cleaning

Clean the external surfaces of the machine and control panel with a damp soft cloth. If necessary use only neutral detergents. Never use abrasive products, scouring pads or solvent (acetone, trichloroethylene etc....).

Prolonged periods of non-operation

If you are not using the machine for any period of time you are advised to:

1. Unplug the appliance and then turn off the water.
2. Fill the rinse aid dispenser.
3. Leave the door ajar to prevent the formation of any unpleasant smells.
4. Leave the inside of the machine clean.

Frost precautions

Avoid placing the machine in a location where the temperature is below 0°C. If this is unavoidable, empty the machine, close the appliance door, disconnect the water inlet pipe and empty it.

Moving the machine

If you have to move the machine (moving house etc....):

1. Unplug it.
2. Turn the water tap off.
3. Remove the water inlet and discharge hoses.
4. Pull the machine out together with the hoses.

Avoid over tilting the machine during transportation.

Something not working

Certain problems are due to lack of simple maintenance or oversights, which can be solved easily without calling out an engineer.

The dishwasher is fitted with a number of alarm systems which can help you to quickly determine the cause of any problems.

The dishwasher will not start or stops during operation, all push buttons are inoperative except for the On/Off push button and all the indicator lights turn off. In the digital display one of the following flashing fault codes will appear AL1, AL2, AL3, AL4, AL5, AL6, AL7, AL8 and an audible signal will inform you of the alarm intervention. Press the On/Off pushbutton to switch off the dishwasher and carry out the following suggested corrective actions listed below.

Once the checks have been carried out switch on the dishwasher and start a washing programme, if the fault code reappears in the digital display, contact your local Service Force Centre.

Important: If you call out an engineer to a fault listed below or to repair a fault caused by incorrect use or installation a charge will be made if the appliance is in guarantee.

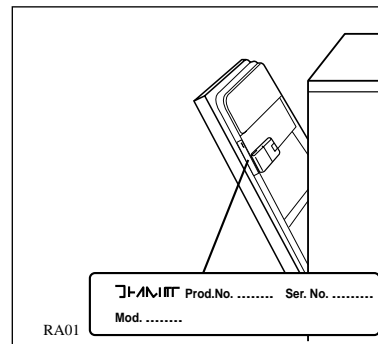
Symptom	Fault code	Solution
The machine will not start		<ul style="list-style-type: none"> The door has not been properly closed. Indicator light "open door" illuminates. The plug is not properly inserted in the power socket. There is a power failure.
The machine does not fill with water	Indicator light "water tap" flashes and/or alarm AL5	<ul style="list-style-type: none"> Ensure the water tap is open. Ensure the mains water supply has not been cut off. The inlet hose may be squashed or bent. Reposition the hose. The inlet hose may be blocked. Switch off the water supply and clean the filter.
The dishwasher will not drain	Alarm AL6	<ul style="list-style-type: none"> The drain hose may be squashed or bent. Reposition the hose. The sink may be blocked. Clear any blockages. The drain hose extension is not correct. Follow the instructions for connecting to the waste. There is no vent in the end of the drain hose.
General	Alarms AL1, AL2, AL3, AL4, AL7 AL8	<ul style="list-style-type: none"> Switch off the dishwasher. Switch it back on and start the programme. If the alarm reappears, call the local Service Force Centre.
The machine is noisy		<ul style="list-style-type: none"> Dishes are rattling against each other, refer to "Loading your machine". The spray arms are knocking against the dishes. Refer to "Loading your machine".
The door is difficult to close		<ul style="list-style-type: none"> The dishwasher is not level, or not properly built-in.
Visible lime deposits or white film on the dishes		<ul style="list-style-type: none"> Check that there is salt and that the salt cap is tight. Check that the right level of the water softener is setted.
The dishes are not quite dry		<ul style="list-style-type: none"> The rinse aid has run out or too little is being used.
The dishes are not clean (poor wash)		<ul style="list-style-type: none"> The baskets are too full. The dishes have not been arranged properly. The spray arms do not rotate The spray arms are clogged. The filters are clogged. The filters are not in the correct position. Not enough detergent has been used or it is unsuitable. The detergent is old or has gone hard. The salt container cap is not properly closed. The washing programme selected is too gentle.

If after all these checks, the problem persists, contact your local Service Force Centre, quoting the model and serial number. This information can be found on the rating plate located on the right hand side of the dishwasher door (see picture).

Protection against flooding

The machine is fitted with a device in the bottom of the machine to protect against flooding. The device will operate if there are any water leaks in the machine, however it will only operate if the machine is on.

In case of intervention the digital display will show "AL4". Turn off the water tap and call the Service Force Centre.



Service and spare parts

In the event of your appliance requiring service, or if you wish to purchase spare parts please contact your local Zanussi Service Force Centre by telephoning:

08705 929 929

Your telephone call will be automatically routed to the Service Force Centre covering your post code area. The addresses are listed on the following pages. Before calling out an engineer, please ensure you have read the details under the heading "Something Not Working".

When you contact the Service Force Centre you will need to give the following details:

1. Your name, address and post code
2. Your telephone number
3. Clear and concise details of the fault
4. The model and serial number (found on the rating plate)
5. The purchase date

Customer Care Department

For general enquiries concerning your Zanussi appliance or for further information on Zanussi products please contact our Customer Care Department by letter or telephone at the address below or visit our website at www.zanussi.co.uk

Customer Care Department
Zanussi
55-77 High Street
Slough
Berkshire
SL1 1DZ
Tel: 08705 727727 (*)

* calls to this number may be recorded for training purposes

Guarantee conditions

Standard guarantee conditions

We, Zanussi, undertake that if within 24 months of the date of purchase this Zanussi appliance or any part thereof is proved to be defective by reason only of faulty workmanship or materials, we will, at our option repair or replace the same FREE OF CHARGE for labour, materials or carriage on condition that:

- The appliance has been correctly installed and used only on the electricity supply stated on the rating plate.
- The appliance has been used for normal domestic purposes only, and in accordance with the manufacturer's instructions.
- The appliance has not been serviced, maintained repaired, taken apart or tampered with by any person not authorised by us.
- All service work under this guarantee must be undertaken by a Zanussi Service Force Centre.
- Any appliance or defective part replaced shall become the Company's property.
- This guarantee is in addition to your statutory and other legal rights.

Home visits are made between **8.30am** and **5.30pm** Monday to Friday. Visits may be available outside these hours in which case a **premium** will be charged.

Exclusions

This guarantee does not cover:

- Damage or calls resulting from transportation, improper use or neglect, the replacement of any light bulbs or removable parts of glass or plastic.
- Costs incurred for calls to put right an appliance which is improperly installed or calls to appliances outside the United Kingdom.
- Appliances found to be in use within a commercial environment, plus those which are subject to rental agreements.
- Products of Zanussi manufacture which are not marketed by Zanussi.

European Guarantee

If you should move to another country within Europe then your guarantee moves with you to your new home subject to the following qualifications:

- The guarantee starts from the date you first purchased your product.
- The guarantee is for the same period and to the same extent for labour and parts as exists in the new country of use for this brand or range of products.
- This guarantee relates to you and cannot be transferred to another user.
- Your new home is within European Community (EC) or European Free Trade Area.
- The product is installed and used in accordance with our instructions and is only used domestically, i.e. a normal household.
- The product is installed taking in account regulations in your new country.

Before you move please contact your nearest Customer Care centre, listed below, to give them details of your new home. They will then ensure that the local Service Organisation is aware of your move and able to look after you and your appliance.

France	Senlis	+33 (0) 44 62 29 99
Germany	Nuremberg	+49 (0) 911 323 2600
Italy	Pordenone	+39 (0) 1678 47053
Sweden	Stockholm	+46 (0) 8 738 79 50
UK	Slough	+44 (0) 1753 219897
Ireland	Dublin	+353 (0) 14090753

To contact your local Zanussi Service Centre telephone **08705 929 929**

CHANNEL ISLANDS		ORKNEY (M65)	Corsie Domestics 7 King Street Kirkwall Orkney KW15	NORTH EAST	
GUERNSEY	Guernsey Electricity PO Box 4 Vale, Guernsey Channel Islands	PERTH	Hydro Electrical Inveralmond House Ruthervenfield Road Perth PH1 3AQ	GATESHEAD (M39)	Unit 356a Dukesway Court Dukesway Team Valley Gateshead NE11 0BH
JERSEY	Jersey Electricity Company PO Box 45 Queens Road St Helier Jersey Channel Islands JE4 8NY	PERTH (OWN SALES)	Graham Begg Unit 4 Airport Ind Estate Wick KW1 4QS	GRIMSBY (M42)	15 Hainton Avenue Grimsby South Humberside DN32 9AS
SCOTLAND		SHETLAND	Tait Electronic Systems Ltd. Holmsgarth Road Lerwick Shetland ZE1 0PW	HULL (M41)	Unit 1 Boulevard Industrial Estate Hull HU3 4AY
ABERDEEN (M05)	54 Claremont Street Aberdeen AB10 6RA	(OWN SALES)		LEEDS (M37)	64-66 Cross Gates Road Leeds LS15 7NN
AUCHTERMUCHY (M03)	33A Burnside Auchtermuchy Fife KY14 7AJ	SHETLAND	Bolts Shetland Ltd. 26 North Road Lerwick Shetland ZE1 0PE	(OWN SALES)	
BLANTYRE (M07)	Unit 5 Block 2 Auchenraith Ind Estate Rosendale Way Blantyre G72 0NJ	WHALSAY	Leask Electrical Harlsdale Symbister, Whalsay Shetland ZE2 9AA	(OWN SALES)	
DUMFRIES (M01)	93 Irish Street Dumfries Scotland DG1 2 PQ	NORTHERN IRELAND		SHEFFIELD (M38)	Pennine House Roman Ridge Ind. Roman Ridge Road Sheffield S9 1GB
DUNOON (M67)	Brair Hill 7 Hill Street, Dunoon Argyll PA23 7AL	BELFAST (M27)	Owenmore House Kilwee Buisness Park Upper Dunmury Lane Belfast BT17 0HD	NORTH WEST	
GLASGOW (M04)	20 Cunningham Road Clyde Estate Rutherglen, Glasgow G73 1PP	WALES		BIRKENHEAD (M11)	1 Kelvin Park Dock Road Birkenhead L41 1LT
INVERNESS (M06)	Unit 3B Smithton Indust. Est. Smithton Inverness IV1 AJ	CARDIFF (M28)	Guardian Industrial Estate Clydesmuir Road Tremorfa Cardiff CF2 2QS	CARLISLE (M10)	Unit 7 James Street Workshops James Street Carlisle Cumbria CA2 5AH
ISLE OF ARRAN (OWN SALES)	Arran Domestics Unit 4 The Douglas Centre Brodict Isle of Arran KA27 8AJ	CLYWD (M14)	Unit 6-7 Coed - Parc Abergele Road Rhuddlan Clwyd Wales LL18 5UG	ISLE OF MAN (M64)	South Quay Ind Estate Douglas Isle of Man IM1 5AT
ISLE OF BARRA (OWN SALES)	J Zerfah 244 Bruernish Isle of Barra Western Islands HS9 5QY	DYFED (M77)	Maes Y Coen High Mead Llanybydder Carmarthenshire SA40 9UL	LIVERPOOL (M15)	Unit 1 Honeys Green Precinct Honeys Green Lane Liverpool L12 9JH
ISLE OF BUTE	Walker Engineering Glenmhor Upper Serpentine Road Rothesay Isle of Bute PA20 9EH	HAVERFORDWEST (M75)	Cromlech Lodge Ambleston Haverfordwest Pembrokeshire SA62 5DS	MANCHESTER (M09)	Unit B Central Industrial Estate St Marks Street Bolton BL3 6NR
ISLE OF LEWIS (M69)	ND Macleod 16 James Street Stornoway Isle of Lewis PA87 2QW	OSWESTRY (M17)	Plas Ffynnon Warehouse Middleton Road Oswestry SY11 2PP	PRESTON (M13)	Unit 250 Dawson Place Walton Summit Bamber Bridge Preston Lancashire PR5 8AL
KELSO (M08)	2-8 Wood Market Kelso Borders TD5 7AX			STOCKPORT (M16)	Unit 20 Haigh Park Haigh Avenue Stockport SK4 1QR

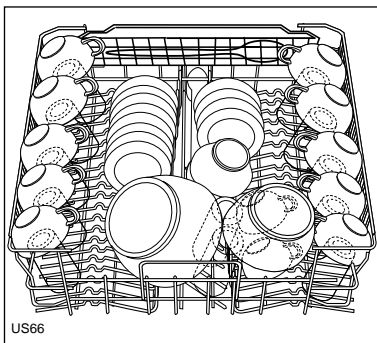
To contact your local Zanussi Service Centre telephone **08705 929 929**

MIDLANDS		LONDON & EAST ANGLIA		SOUTH EAST	
BIRMINGHAM (M18)	66 Birch Road East, Wyrley Road Ind. Estate Witton Birmingham B6 6DB	BECKENHAM (M79)	11 a Gardener Ind. Estate Kent House Lane Beckenham Kent BR3 1QZ	ASHFORD (M58)	Unit 2 Bridge Road Buisness Est. Bridge Road Ashford Kent TN2 1BB
BOURNE (M44)	Manning Road Ind. Estate Pinfold Road Bourne PE10 9HT	CHELMSFORD (M47)	Hanbury Road Widford Ind. Estate Chelmsford Essex CM12 3AE	FLEET (M59)	Unit 1 Redsfield Ind. Estate Church Crookham Fleet Hampshire GU13 0RD
BRIDGNORTH (M72)	68 St. Mary's Street Bridgnorth Shropshire WV16 4DR	COLINDALE (M53)	Unit 14 Capitol Park Capitol Way Colindale London NW9 0EQ	HAYWARDS HEATH (M55)	21-25 Bridge Road Haywards Heath Sussex RH16 1UA
GLOUCESTER (M23)	101 Rycroft Street Gloucester GL1 4NB	ELTHAM (M78)	194 Court Road Mottingham Eltham London SE9 4EW	SOUTH WEST	
HEREFORD (M31)	Unit 3 Bank Buildings Cattle market Hereford HE4 9HX	ENFIELD (M49)	284 Alma Road Enfield London EN3 7BB	BARNSTAPLE (M30)	Main Box Fremington Barnstaple North Devon EX31 2NT
HIGHAM FERRERS (M51)	30 High Street Higham Ferrers Northants NN10 8BB	GRAVESEND (M57)	Unit B4, Imperial Buisness Estate Gravesend Kent DA11 0DL	BOURNEMOUTH (M26)	63-65 Curzon Road Bournemouth Dorset BH1 4PW
ILKESTON (M43)	Unit 2 Furnace Road Ilkeston DE7 5EP	HARPENDEN (M46)	Unit 4 Riverside Estate Coldharbour Lane Harpenden AL5 4UN	BRIDGEWATER (M35)	6 Hamp Ind. Estate Bridgewater Somerset TA6 3NT
LEICESTER (M22)	Unit 7 Oaks Ind. Estate Coventry Road Narborough Leicestershire LE0 5GF	LETCHWORTH (M50)	16-17 Woodside Ind. Estate Works Road Letchworth Herts SG6 1LA	BRISTOL (M25)	11 Eldon Way Eldonwall Trading Bristol Avon BS4 3QQ
LINCOLN (M40)	Unit 8 Stonefield Park Clifton Street Lincoln LN5 8AA	LONDON (M76)	2/4 Royal Lane Yiewsley West Drayton Middlesex UB7 8DL	EMSWORTH (M33)	266 Main Road Southbourne Emsworth PO10 8JL
NEWCASTLE UNDER LYME (M12)	18-21 Croft Road Brampton Ind. Estate Newcastle under Lyme Staffordshire ST5 0TW	MAIDENHEAD (M60)	Reform Road Maidenhead Berkshire SL6 8BY	ISLE OF WIGHT (M34)	Unit 8 Enterprise Court Ryde Buisness Park Ryde Isle of Wight PO33 1DB
REDDITCH (M20)	13 Thornhill Road North Moons Moat Redditch Worcestershire B98 9ND	MOLESEY (M61)	10 Island Farm Avenue West Molesey Surrey KT8 2UZ	NEWTON ABBOT (M29)	Unit 2 Zealley Ind. Estate Kingsteignton Newton Abbot S. Devon TQ12 3TD
TAMWORTH (M19)	Unit 3 Sterling Park Claymore Tamworth B77 5DO	NEWBURY (M24)	9 Pipers Court Berkshire Drive Thatcham Berkshire RG19 4ER	REDRUTH (M36)	Unit 7D Pool Ind. Estate Wilson Way, Redruth, Cornwall TR15 3QW
WORCESTER (M73)	Units 1 & 2 Northbrook Close Gregorys Mill Ind. Estate Worcester WR3 8BP	IPSWICH (M48)	Unit 6C Elton Park Business Centre Hadleigh Road Ipswich IP2 0DD		
		NORWICH (M52)	2b Trafalgar Street Norwich NR1 3HN		
		SUNBURY (M63)	Unit 1 a The Summit Hanworth Road Hanworth Ind Estate Sunbury on Thames TW16 5D		

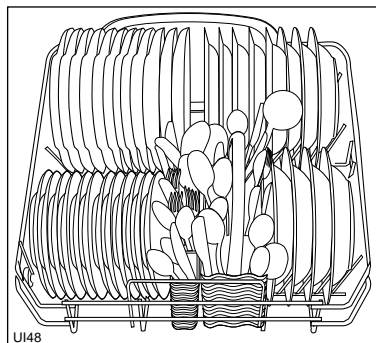
Hints for test centres

Before starting any test it is necessary to fill completely with salt the salt container and with rinse aid the rinse aid dispenser.

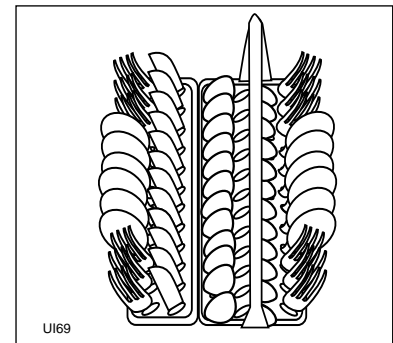
Test standard	EN 50242
Reference programme:	Bio 50°C with prewash
Load:	12 standard place settings
Rinse aid selector:	position 5
Detergent dosage :	30 g in the dispenser



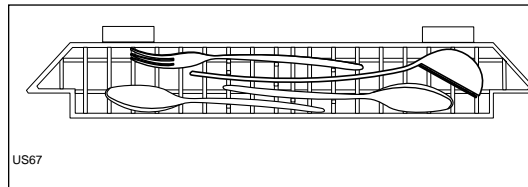
Arrangement
upper basket



Arrangement
lower basket



Arrangement
cutlery basket



Arrangement
knife basket

Technical specifications

DIMENSIONS	Width	59.6 cm
	Height with worktop	81.8 - 87.8 cm
	Max depth	59 cm
	Max depth with open door	111.4 cm
ELECTRICAL CONNECTION MOTOR RATING DURING WASH POWER OF HEATING ELEMENT OVERALL POWER	Voltage	220/240 V - 50 Hz
		200 W
		2100 W
		2300 W
WATER SUPPLY PRESSURE	Minimum	50 kPa (0.5 bar)
	Maximum	800 kPa (8 bar)
CAPACITY		12 place settings

Installation instructions



Any electrical work required to install this appliance should be carried out by a qualified electrician or competent person.

Any plumbing work required to install this appliance should be carried out by a qualified plumber or competent person.

Remove all packaging before positioning the machine.

If possible, position the machine next to a water tap and a drain.

Water supply connections

The dishwasher may be fed with either hot (max. 60°C) or cold water.

Nevertheless we advise a cold water supply.

A hot water supply is not always efficient with very soiled crockery as it shortens the washing programmes.

Feeding the appliance with a hot water supply will allow you to obtain considerably shorter programmes.

The water pressure must be within the limits given in the technical specifications.

Your local Water Authority will advise you on the average mains pressure in your area.

The dishwasher features fill and drain hoses which can be turned either to the left or the right to suit the installation.

The locknut must be correctly fitted to avoid water leaks.

Avoid bends or kinks in the hose which could prevent or slow down the water supply.

If the machine is connected to new pipes or pipes which have not been used for a long time, you should run the water for a few minutes before connecting the inlet hose. This will prevent deposits of sand or rust clogging the inlet hose filter.

Water outlet hose connection

The end of the drain hose can be connected in the following ways:

1. To the sink outlet siphon, securing it if necessary with a clip.
2. To a stand pipe provided with vent-hole, minimum internal diameter 4 cm.

The waste connection must be at a height of between 30 cm (minimum) and 100 cm (maximum) from the bottom of the dishwasher.

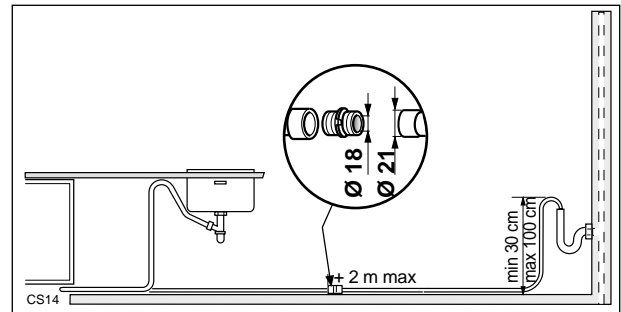
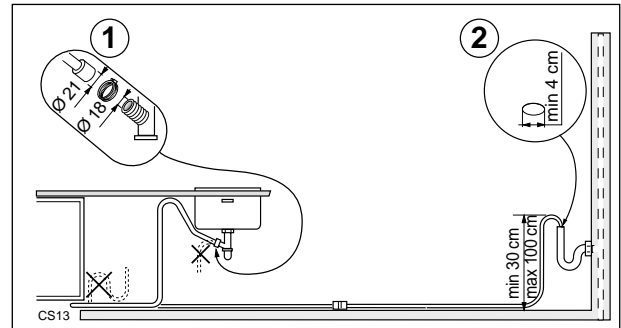
The drain hose can face either to the right or left of the dishwasher

Ensure the hose is not bent or squashed as this could prevent or slow down the discharge of water.

If you use a drain hose extension it must be no longer than 2 metres and its internal diameter must be no smaller than the diameter of the hose provided.

Likewise the internal diameter of the couplings used for connections to the waste outlet must be no smaller than the diameter of the hose provided.

The sink plug must not be in place when the machine is draining as this could cause the water to siphon back into the machine.



Electrical connection



**This appliance must be earthed.
The manufacturer declines any
responsibility should this safety measure
not be observed.**

If the plug that is fitted to your appliance is not suitable for the socket, it must be cut off and the appropriate plug fitted.

Important

The wires on the mains lead are coloured in accordance with the following code:

Green and Yellow -Earth
Blue -Neutral
Brown -Live

If you fit your own plug, the colours of the wires in the mains lead of your appliance may not correspond with the markings identifying the terminals in your plug.

Proceed as follows:

1. Connect the Green and Yellow (earth) wire to the terminal in the plug which is marked with the letter "E" or the earth symbol \oplus or coloured green and yellow.
2. Connect the Blue (neutral) wire to the terminal in the plug which is marked with the letter "N" or coloured black.
3. Connect the Brown (live) wire to the terminal in the plug which is marked with the letter "L" or coloured red.

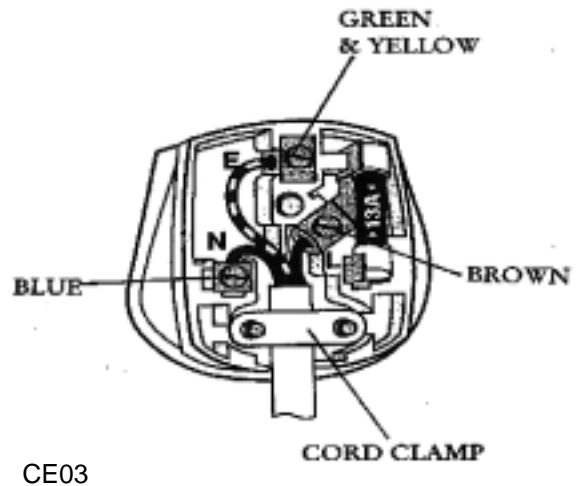
The plug moulded onto the lead incorporates a 13amp BSI362 fuse. Only ASTA or BSI fuses should be used.

The plug must not be used if the fuse cover/carrier is lost. The cover/carrier is indicated by the coloured insert at the base of the product.

A replacement cover/carrier must be obtained from your local Service Force Centre.

This appliance complies with the following E.E.C. Directives:

- 73/23 or 19.2.73 (Low Voltage Directive) and subsequent modifications;
- 89/336 or 3.5.89 (Electromagnetic Compatibility Directive) and subsequent modifications.



Building-in

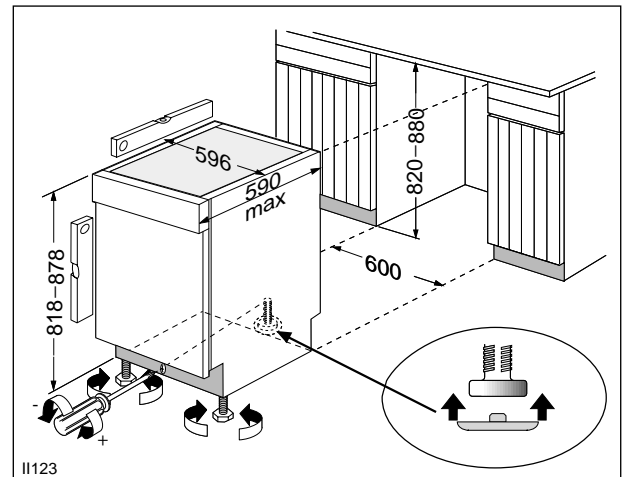
This dishwasher is designed to be fitted under a kitchen counter or worksurface.

It is essential that the recess dimensions indicated in the diagram are followed.

No further openings for venting of the dishwasher are required, but only to let the water fill and drain hose and power supply cable pass through.

The recess height may be anywhere between 820 and 880 mm from the floor as the dishwasher incorporates adjustable feet (max 60 mm).

A distance of 2 mm should be allowed between the top of the dishwasher and the counter top.



Adjusting the height of the appliance

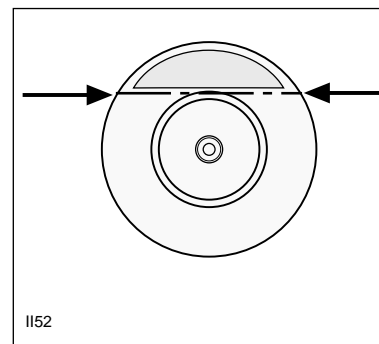
To adjust the height proceed as follows:

1. Loosen or tighten the two front feet.
2. The rear foot is adjusted by turning the screw in the middle of the front kick plate to the left or right.

A pad is supplied for the rear foot to make sliding the appliance in and out of the recess easier.

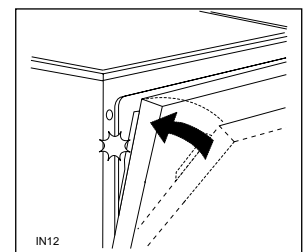
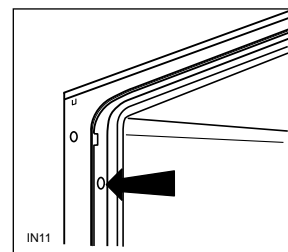
To fit the pad, press it onto the rear foot.

If required, the dimensions of this pads can be reduced by breaking it where marked.



Good levelling is essential for correct closure and sealing of the door. When the appliance is correctly levelled, the door will not catch on the levelling spacers on either side of the cabinet.

If the door does not close correctly, loosen or tighten the adjustable feet until the machine is perfectly level.

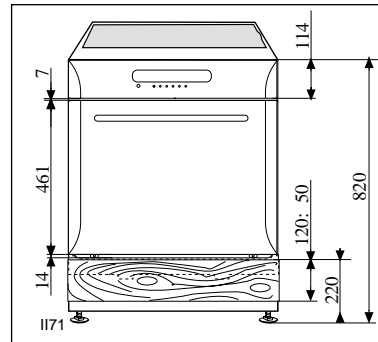


The furniture door plinth

The door on this appliance is designed for the overlay of a door plinth having the following dimensions:

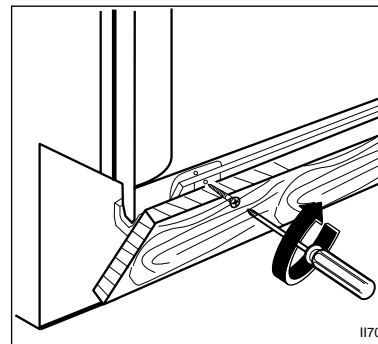
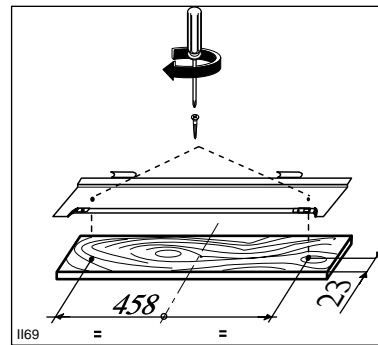
Width: 596 mm
Height: 50 mm (min) - 120 mm (max)
Thickness: 20 mm max

The panel height should be no more than indicated, otherwise complete opening of the door will no longer be possible as the panel hits against the dishwasher plinth.



Mounting the infill panel

1. Drill the panel with a $\varnothing 2 \times 12$ bit according to the dimensions indicated in the figure.
2. Fix the panel to the cross bar provided with 2 screws 3.5 x 16.
3. Fix the cross bar to the dishwasher door with 2 screws 3.5 x 16 after having inserted the two hooks of the cross bar on the lower section of the door.



Fixing to the adjacent units

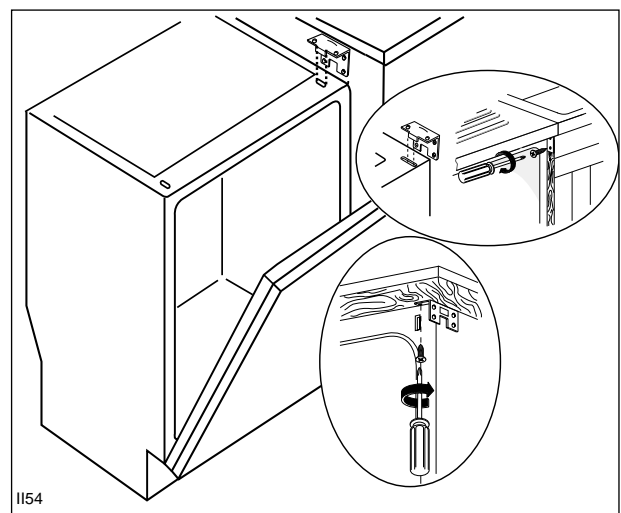
To prevent the dishwasher tilting, it must be secured to either the worktop or adjacent kitchen cabinet/wall using the brackets supplied.

Insert the two fixing brackets into the slots provided in the top front part of the dishwasher as shown in the figure.

Secure the brackets to the adjacent units with the 3.5 x 16 screws using the upper or the side holes.

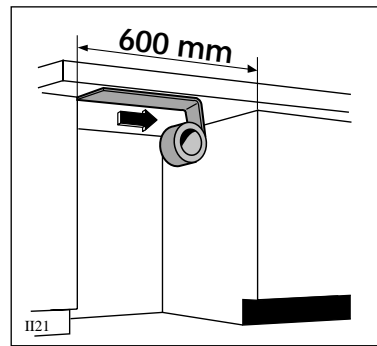
! The appliance must be secured to the underside of the worktop using the brackets provided. Failure to do this could cause damage or injury.

Attention!
The sides of the dishwasher must never be drilled to prevent damage to hydraulic components.



Fitting the vapour protection

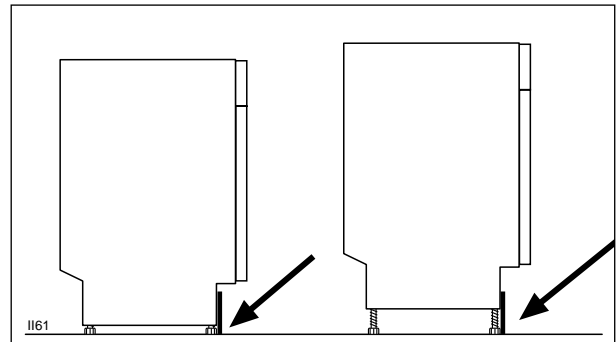
Fit the adhesive protection foil onto the front part of the worktop; along the entire width.



Noise protection

Adhesive noise protection ensures excellent noise insulation. This should be fitted when the dishwasher has been mounted in the recess and the height adjusted.

Apply the protection as shown in the drawing, making sure that the non-adhesive section reaches right down to the floor.

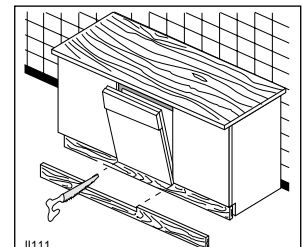
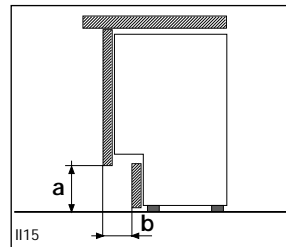


Kitchen plinth adjustment

To allow correct opening of the door it is sometimes necessary to cut the kitchen plinth. Refer to the cutting table.

According to dimensions (a) and (b) as shown on the figure, you will find on the following table the depth (x) of the cut to be made on the plinth.

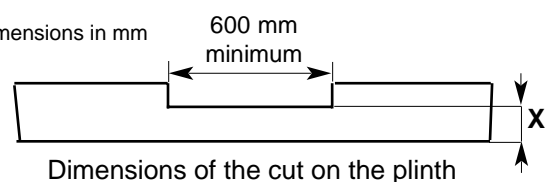
The dimensions (a) and (b) of the table are those most frequently used in the kitchen furnitures.



Height (a)*

		170	160	150	140	130	120	110	100	90		
Depth (b)*	40	136	131	125	118	110	100	93	85	75	X	
	50	135	131	125	118	110	102	92	85	75		
	60	137	132	125	118	110	102	94	85	75		
	70	138	134	128	120	110	104	95	85	75		
	80	/	139	130	124	115	105	98	88	78		
	90	/	/	138	129	120	110	100	90	80		
	100	/	/	/	135	125	115	105	95	85		

(*) dimensions in mm




 **From the Electrolux Group. The world's No.1 choice.**

The Electrolux Group is the world's largest producer of powered appliances for kitchen, cleaning and outdoor use. More than 55 million Electrolux Group products (such as refrigerators, cookers, vacuum cleaners, chain saws and lawn mowers) are sold each year to a value of approx. 14 billion USD in more than 150 countries around the world.

Free Manuals Download Website

<http://myh66.com>

<http://usermanuals.us>

<http://www.somanuals.com>

<http://www.4manuals.cc>

<http://www.manual-lib.com>

<http://www.404manual.com>

<http://www.luxmanual.com>

<http://aubethermostatmanual.com>

Golf course search by state

<http://golfingnear.com>

Email search by domain

<http://emailbydomain.com>

Auto manuals search

<http://auto.somanuals.com>

TV manuals search

<http://tv.somanuals.com>