

ZANUSSI

Instructions for the use and care of DV 67 upright freezer

It is most important that this instruction book should be retained with the appliance for future reference. Should the appliance be sold or transferred to another owner, or should you move house and leave the appliance, always ensure that the book is supplied with the appliance in order that the new owner can be acquainted with the functioning of the appliance and the relevant warnings.

Freezer Warnings

THESE WARNINGS ARE PROVIDED IN THE INTEREST OF SAFETY. YOU MUST READ THEM CAREFULLY BEFORE INSTALLING OR USING THE APPLIANCE.

This appliance is designed to be operated by adults. Children should not be allowed to tamper with the controls or play with the product.

Any electrical work required to install this appliance should be carried out by a qualified electrician or competent person.

This product should be serviced by an authorized Zanussi Network Service Centre, and only genuine Zanussi spare parts should be used.

It is dangerous to alter the specifications or modify this product in any way.

Care must be taken to ensure that the appliance does not stand on the electrical supply cable.

Zanussi domestic freezers are designed to be used specifically for the storage of edible foodstuffs only.

Frozen food must not be re-frozen once it has been thawed out.

Manufacturer's storage recommendations should be strictly adhered to. Refer to relevant instructions.

There are working parts in this product which heat up. Always ensure that there is adequate ventilation as a failure to do this will result in component failure and possible food loss. See installation instructions.

Parts which heat up should not be exposed. Wherever possible the back of the product should be against a wall.

Before any cleaning or maintenance work is carried out, be sure to switch off the appliance and unplug.

The inner lining of the appliance consists of channels through which the refrigerant passes. If this should be punctured this would damage the appliance beyond repair and cause food loss. **DO NOT USE SHARP INSTRUMENTS** to scrape off frost or ice. Frost may be removed by using the scraper provided. Under no circumstances should solid ice be forced off the liner. Solid ice should be allowed to thaw when defrosting the appliance. See defrost instructions.

The appliance should be left for 2 hours after installation before it is turned on in order to allow the refrigerant to settle.

Do not place carbonated or fizzy drinks in the freezer as it creates pressure on the container, which may cause it to explode, resulting in damage to the appliance.

This appliance is heavy. Care should be taken when moving it.

Ice lollies can cause frost burns if consumed straight from the freezer.

Under no circumstances should you attempt to repair the appliance yourself. Repairs carried out by inexperienced persons may cause injury or more serious malfunctioning. Refer to your local Zanussi Network Centre, and always insist on genuine Zanussi spare parts.

Installation

Introduction

If this new freezer, equipped with the magnetic closure of the door replaces an older type with a spring-closed door, we advise you to make sure that the door of the discarded freezer may no longer be closed from the outside.

In this way, children who come to play near the discarded freezer will be unable to close themselves within, at the risk of their lives.

Location

We advise you to position your freezer far from all sources of heat (ovens, kitchen units, or excessive sunlight).

For the satisfactory operation of the freezer, the room temperature must remain within the range of from $+16^{\circ}\text{C}$ to $+32^{\circ}\text{C}$. Make sure that air is allowed to circulate freely around the freezer.

To ensure greater efficiency, leave a minimum space of 100 mm between the upper part of the freezer and any shelves or surfaces which come to be positioned above the freezer (see Fig. 1A).

The ideal location is indicated in Figure 1B (without any over hanging surfaces). Ensure the perfect horizontal level of the freezer by adjusting the support feet.

Please ensure that when the appliance is installed it is easily accessible for the engineer in the event of a breakdown.

Rear spacers

The plastic bag containing all relevant documentation also contains two rear wall spacers to be fitted into special slots on the back of the appliance. Fit the spacers into the slots, taking care to ensure that the arrow «A» is positioned as shown in Figure 2.

Next, turn them through 45° (arrow in vertical position) until they lock into place.

Dear Homeowner,
Allows us to congratulate you for having chosen this high-quality appliance of our own production. This appliance is extremely easy to use. However, we advise you to dedicate a little time to an attentive examination of this Instruction Manual, in order to operate your new freezer with the greatest efficiency. Reading this Manual will learn all of the instructions necessary for the correct installation, use and maintenance of your freezer. Thanking you once again, we hope this new appliance gives you years of perfect operation.

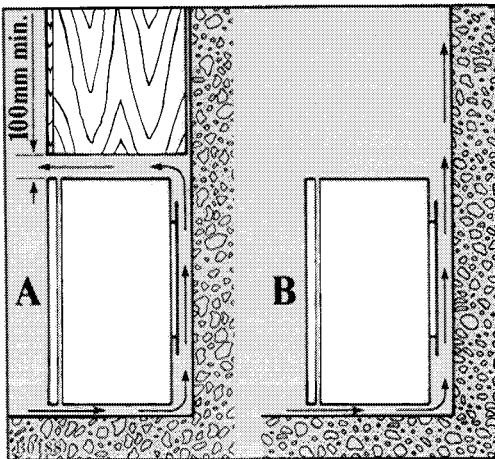
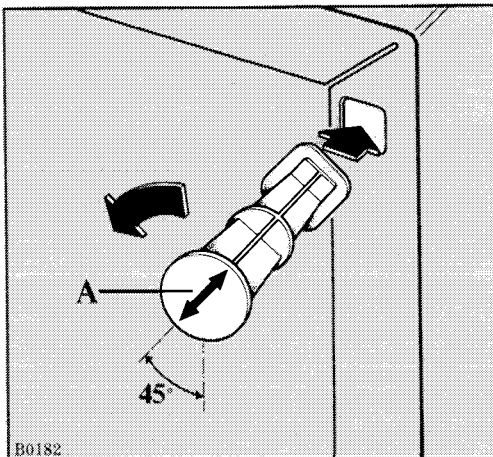


Fig. 1



B0182

Fig. 2

The electrical connections

WARNING

THIS APPLIANCE MUST BE EARTHED.

The manufacturer declines any liability should this safety measure not be observed.

If the plug that is fitted to your appliance is not suitable for your socket outlet, it must be cut off and the appropriate plug fitted.

The cut off plug should be disposed of to prevent the hazard of electric shocks in case it should be plugged into a 13 Amp socket in another part of your home.

IMPORTANT

The wires in the mains lead are coloured in accordance with the following code:

GREEN AND YELLOW - EARTH
BLUE - NEUTRAL
BROWN - LIVE

If you fit your own plug the colours of the wires in the mains lead of your appliance may not correspond with the markings identifying the terminals in your plug, this is what you have to do:

Connect the green and yellow (earth) wire to the terminal in the plug which is marked with the letter «E» or the earth symbol \oplus or coloured green or green and yellow.

Connect the blue (neutral) wire to the terminal in the plug which is marked with the letter «N» or coloured black.

Connect the brown (live) wire to the terminal in the plug with the letter «L» or coloured red.

The plug moulded onto the cord incorporates a fuse, for replacement, use a 13 Amp BS1362 fuse. Only ASTA approved fuses should be used.

The fuse cover/carrier colour is the one shown by the coloured insert at the base of the plug.

The plug must not be used if the fuse cover/carrier is lost. A replacement cover/carrier must be obtained from Zanussi Service Agents whose addresses are listed on the attached «Zanussi Service Agents Nationwide».

This appliance complies with E.E.C. directive number 82/499 of 7.6.82 relative to radio interference suppression.

Cleaning

Once the correct installation has been effected, we advise you to clean your freezer with soap and lukewarm water in order to remove the typical «brand-new» odour. Do not use abrasive-dust powders or metallic sponges.

Using your freezer

This freezer has been marked with the ******* symbol, which means that it is suited to the freezing of fresh foods, the conservation of frozen foods (up to 3 months) and the production of ice-cubes.

The control panel (Fig. 3)

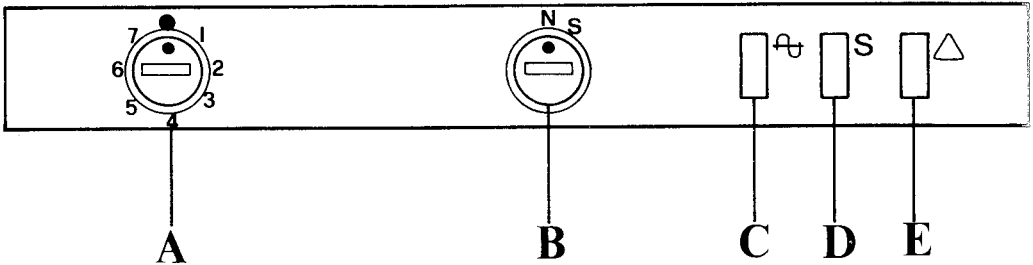


Fig. 3

- A - Thermostat knob
- B - N/S knob
- C - Function indicator light
- D - Quick-freezing indicator light
- E - Temperature alarm light

Starting

Insert the power supply plug into the nearest wall socket (the function indicator light «C» will light up, indicating that the freezer is receiving electrical input).

Turn the thermostat knob «A» to the right to a medium setting (the temperature alarm light «E» will light up).

For the satisfactory conservation of frozen foods, the freezer's internal temperature must be lower than -18°C . Wait until the temperature alarm light «E» turns off when the optimum temperature has been reached.

Thermostat settings may be modified according to the surrounding room temperature, the location of the freezer and the frequency of door openings, etc. To turn off the freezer, turn the thermostat knob to the «●» position.

Quick-freezing

For quick-freezing, turn the N/S knob «B» (fig. 3) to the «S» symbol. The quick-freezing indicator light will then light up.

The temperature alarm light

(«E» - Fig. 3)

The temperature alarm light turns on automatically whenever the temperature within the freezer rises above a certain value which might endanger satisfactory long-term conservation.

It is perfectly normal for the temperature alarm light to remain lit up for a short time after the freezer is initially turned on.

It will remain lit up until the optimum temperature for the conservation of frozen food is attained.

Freezing Food

Set the freezer to quick-freezing operational status.

Wait at least 3 hours before introducing fresh foods into the freezer if it has only recently been turned on.

If the freezer has already been working for some time, turn the respective knob to the «S» position at least 24 hours before introducing the food into the freezer in order to ensure better freezing results. This period of time may be shortened according to the quantity of food.

When quick-freezing is being performed, the compressor works continuously, employing all of its refrigerating power to the maximum.

Keep the knob as it is for another 24 hours after the introduction of the food into the freezer and then return the knob to the «N» position.

Bear in mind the freezing capacity of your freezer; that is, the maximum quantity of food that may be frozen in 24 hours.

This freezing capacity is 18 kg.

Distribute the packages as shown in Figure 4.

Arrange the foods to be frozen in the upper compartments, so that these do not come into contact with already-frozen products because the higher surface temperature of the food to be frozen might cause an increase in the surface temperature of the already frozen products.

When the necessary freezing time has elapsed, distribute the newly-frozen foods into the drawers to free the compartments for new foods to be frozen.

Rules to observe when freezing foods

All products to be frozen must be fresh and of excellent quality.

Each freezing package must be adjusted to the family's consumption quantity in order to be used just once.

Small-sized freezing packages allow a more rapid and uniform freezing.

Do not forget that once frozen foods have thawed out, they spoil rapidly.

Low-fat content foods are better conserved in the freezer than those with higher fat contents. Salt (whenever present) reduces the duration of satisfactory conservation.

Foods to be frozen must be enclosed in air-tight sacks or containers especially indicated for this purpose.

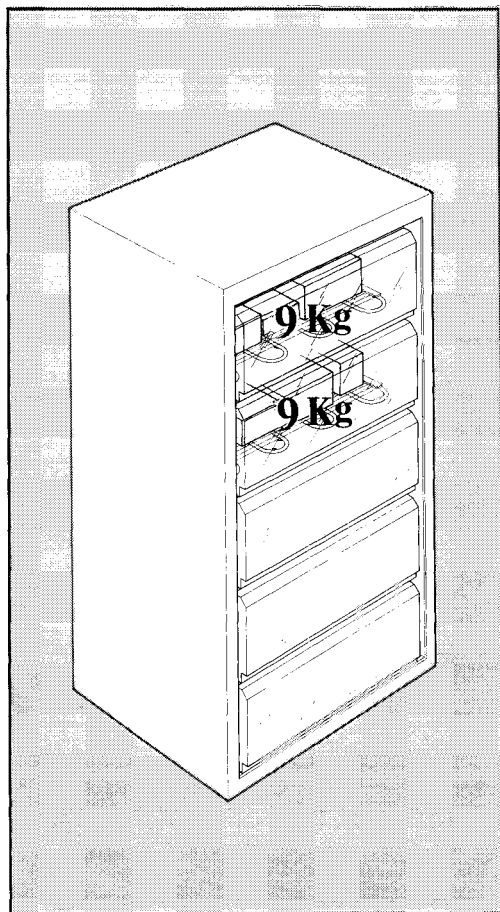


Fig. 4

Close these sacks or containers tightly to eliminate all air.

Never place bottles or cans of carbonated beverages in the freezer. These might explode.

Never introduce hot foods or liquids.

Never fill the freezing sacks or containers with covers to the brim.

Do not consume certain products immediately after removing them from the freezer (popsicles, etc.), because their extremely low temperatures might cause burns.

Indicate the freezing date on every sack or container as a means of controlling conservation times.

Never open the freezer door or introduce new foods to be frozen whenever a Quick-freezing phase is already in progress.

Important

When electrical current happens to be cut off, the freezer door must not be opened. If the power failure is of a short duration (from 6 to 8 hours) and the freezer is full, there is no risk that the food will spoil.

If the power failure lasts longer, the food must be consumed as rapidly as possible, or otherwise cooked and re-frozen again.

Note

On the inner door you will find a list of foods followed by a number. These numbers indicate the maximum period of time for which the food in question may be conserved (in months).

On the front of the drawers, labels have been attached where you may write all the data pertaining to the foods (we advise you to use a pencil).

Thermic accumulators

The two thermic accumulators (eutectic masses - for models featuring this device), placed on the appropriate shelf of the quick-freeze compartment (Fig. 5) permit an extension of the storage time in case of power failure or machine breakdown. If the eutectic masses are removed, you will obtain an increase of the storage capacity of the quick-freeze compartment, but at the same time the storage life of the frozen food will be shortened in case of power failure or machine breakdown.

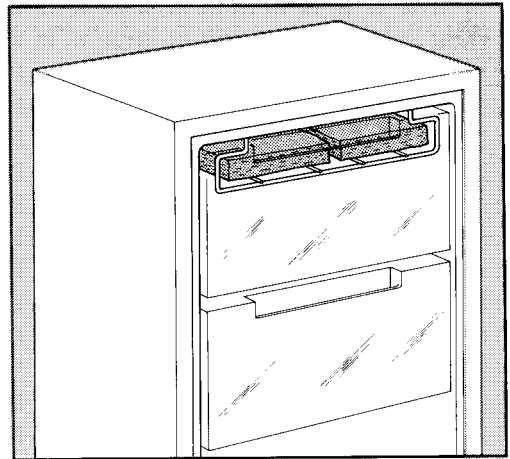


Fig. 5

Frozen food storage

When the freezer is being turned on for the first time, or after a prolonged period of disuse, turn the N/S knob to the previously-mentioned Quick-freezing position and then wait at least two hours before introducing the food to be conserved.

You may then return the knob to the «N» position.

This two-hour waiting period may be avoided if the freezer has already been in operation.

Helpful hints

Always check the preparation date indicated on the frozen foods you buy and respect the expiration time provided by the producer.

Do not open the freezer door too often and leave it open only for the minimum time necessary. Unnecessary increases in temperature will notably reduce the duration of the frozen food conservation.

Make sure that all frozen food packages are intact; otherwise the food may have spoiled.

If such packages present signs of swelling or humidity marks, this means that the food has not been conserved correctly, implying that the product has lost some of its original quality.

When buying frozen foods, carry a thermally-insulated shopping bag whenever possible. In any case, always purchase frozen foods at the end of your shopping. Wrap the frozen foods in newspaper and then put them into the freezer as soon as you arrive home.

Always check the frozen foods you buy carefully at the moment of purchase, because even partially-thawed foods must not be refrozen but must be consumed within 24 hours of purchase.

Thawing-out frozen foods

Frozen foods must be allowed to thaw out before use either in the refrigerator (meat, poultry, fish, etc.) or at room temperature (all other foods) according to the available time.

Frozen products which come in small-sized or separate packages may be cooked directly without thawing; obviously, in this case, the cooking time will last a little longer.

Ice-cube production

This freezer is equipped with trays for the production of ice-cubes which will give complete satisfaction for all domestic needs.

Fill the trays with water to $\frac{3}{4}$ of their height, to permit the expansion of the ice.

If the water in your area is rich in mineral salts (limestone, in particular), we advise the use of non-carbonated mineral water for the production of your ice-cubes.

The ice-cubes may be shaken out of the plastic trays with a slight twist. Do not use metal instruments to remove the trays from the freezer.

Defrosting

Scrape away the frost with the plastic scraper provided with the freezer when this layer arrives to approximately 4 mm in height. For this operation, you do not need to unplug the freezer or remove all frozen foods.

Whenever the layer of frost exceeds 4 mm in thickness, you must proceed to a complete defrosting. Take advantage of the periods when you do not have too much food in storage to do this by proceeding as follows:

Empty the freezer and temporarily store the frozen food removed in a cool place, wrapped in several sheets of newspaper.

Set the thermostat to the «●» position or unplug the freezer from the wall socket.

Keep the freezer door open.

Use the scraper together with a collecting tray and insert it in the lower central part of the freezer as shown in Figure 6.

The collecting tray should be positioned directly below in order to receive the water which will exit during defrosting. Afterwards, dry all freezer surfaces with care.

Return the scraper to its position in the drawer as shown in Figure 7.

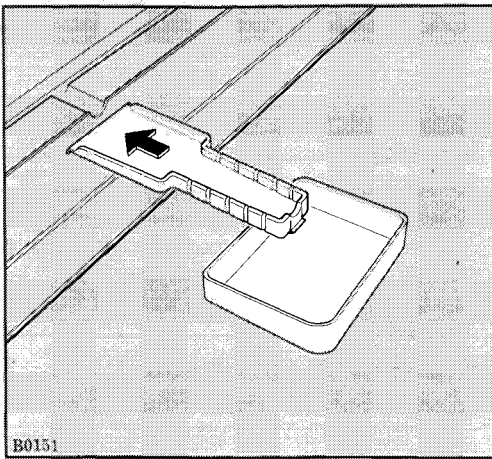
Re-connect the plug and set the freezer to the quick-freezing position.

After two hours you may replace the frozen foods previously removed.

Important

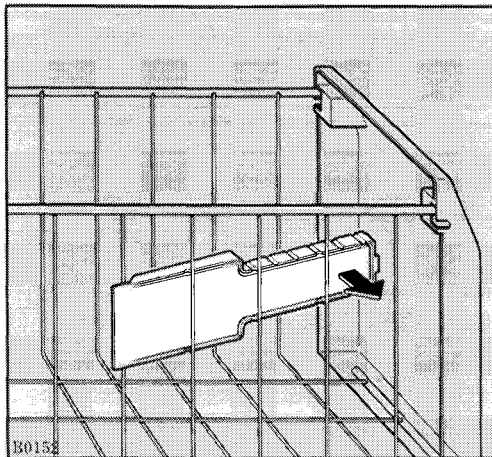
Never use knives or metal objects to scrape away accumulated frost.

An increase in the surface temperature of the frozen foods during defrosting will notable diminish the duration of their conservation.



B0151

Fig. 6



B0152

Fig. 7

Maintenance

Internal cleaning

When performing a complete defrosting, wash the internal surfaces of the freezer with lukewarm water and bicarbonate; rinse and then accurately dry.

External cleaning

Wash the outer body with lukewarm water and soap. Periodically use a cleaning polish to keep the outer body shining.

Dust the condenser located behind the freezer with a soft brush or a vacuum cleaner. An excessive accumulation of dust might compromise the freezer's efficiency.

Extended periods of inoperation

Whenever the freezer is not to be used for an extended period of time, disconnect it from the wall socket and empty and clean the freezer. Remember to leave the door open for the entire period of time in which the freezer is not to be used.

Defective operation

Before calling your local dealer for servicing assistance, check the following points to see if you may not resolve the problem yourself:

Make sure that the freezer is plugged in to the wall socket correctly, and that electrical current arrives to the freezer without interruption.

Control the thermostat setting.

In the event that the freezer makes excessive noise or vibration, make sure that it is not in direct contact with the wall or adjacent furniture.

In the event that defective operation continues after these controls, call your local Zanussi Service Network and provide all of the data listed on the rating plate: the model, serial number, etc.

IN-GUARANTEE CUSTOMERS SHOULD ENSURE THAT THE ABOVE CHECKS HAVE BEEN MADE AS THE ENGINEER WILL MAKE A CHARGE IF THE FAULT IS NOT A MECHANICAL OR ELECTRICAL BREAKDOWN.

Please note that proof of purchase is required for any in-guarantee service calls.

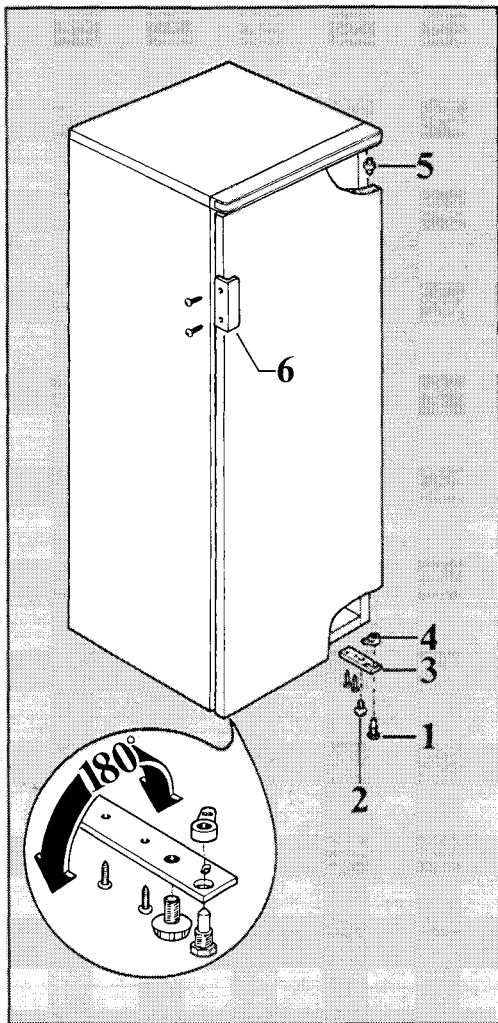


Fig. 8

Door reversal (Fig. 8)

Unplug the appliance before all operations.

To reverse the door, proceed as follows:
 dismantle the lower hinge 3, pin 1, the threaded insert 4 and the screw 2;
 slide the door out from pin 5, unscrew the pin and reposition on the opposite side;

unscrew the left front foot and reposition on the opposite side;
 unscrew the two screws which mask the holes for fixing the hinge from the left front side;

reassemble the door;

reassemble the lower hinge (turning it 180°), the threaded insert, the pin and the screw on the opposite side, as shown in the figure;

dismantle the handle 6 and reassemble it on the opposite side.

ZANUSSI GUARANTEE CONDITIONS

This guarantee is in addition to your statutory and other legal rights which will not be excluded or in any way diminished by the return of the enclosed card.

We, Zanussi Ltd, guarantee that if within twelve months of the date of the purchase, this ZANUSSI appliance or any part thereof is proved to be defective by reason only of faulty workmanship or materials we will at our option repair or replace the same **FREE OF ANY CHARGE** for labour, materials or carriage on condition that:

- The appliance has been correctly installed and used only on the electricity supply stated on rating plate.
- The appliance has been used for normal domestic purposes and in accordance with the manufacturer's operating and maintenance instructions.
- The appliance has not been serviced, maintained, repaired, taken apart or tampered with by any person not authorised by us.

- The appliance is still in the possession of the original purchaser.
- Any appliance or defective part replaced shall become our property.

This guarantee does not cover any damage caused during transportation or the replacement of any light bulbs or removable parts of glass or plastic.

Should you require service on your Zanussi appliance consult the enclosed list for your nearest Zanussi network centre. If the product is under first year guarantee then you will be required to produce proof of date of purchase to the engineer. If it is under 5 year cover then you must show your cover card to the engineer.

Please ensure that the enclosed pre-addressed card is stamped, completed in full and forwarded to Zanussi Ltd, to enable the guarantee to be recorded. Also complete the space below as your own record of the guarantee.

GUARANTEE RECORD

Appliance purchased from _____ on _____
Guarantee card no _____ Model no _____
Serial no _____ (These details may be taken from your Guarantee Record Card)
Your name _____
Address _____

Free Manuals Download Website

<http://myh66.com>

<http://usermanuals.us>

<http://www.somanuals.com>

<http://www.4manuals.cc>

<http://www.manual-lib.com>

<http://www.404manual.com>

<http://www.luxmanual.com>

<http://aubethermostatmanual.com>

Golf course search by state

<http://golfingnear.com>

Email search by domain

<http://emailbydomain.com>

Auto manuals search

<http://auto.somanuals.com>

TV manuals search

<http://tv.somanuals.com>