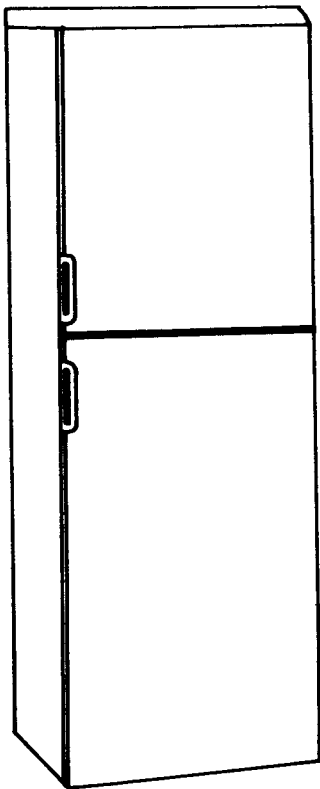


# INSTRUCTIONS FOR THE USE AND CARE OF ZANUSSI FREEZER FRIDGE



Model No ZF36/45

**ZANUSSI**  
The appliance of science

---

## IMPORTANT USER INFORMATION

**It is most important that this instruction book should be retained with the appliance for future reference. Should the appliance be sold or transferred to another owner, or should you move house and leave the appliance, always ensure that the book is supplied with the appliance in order that the new owner can be acquainted with the functioning of the appliance and the relevant warnings.**

**These warnings are provided in the interest of safety. You must read them carefully before installing or using the appliance.**

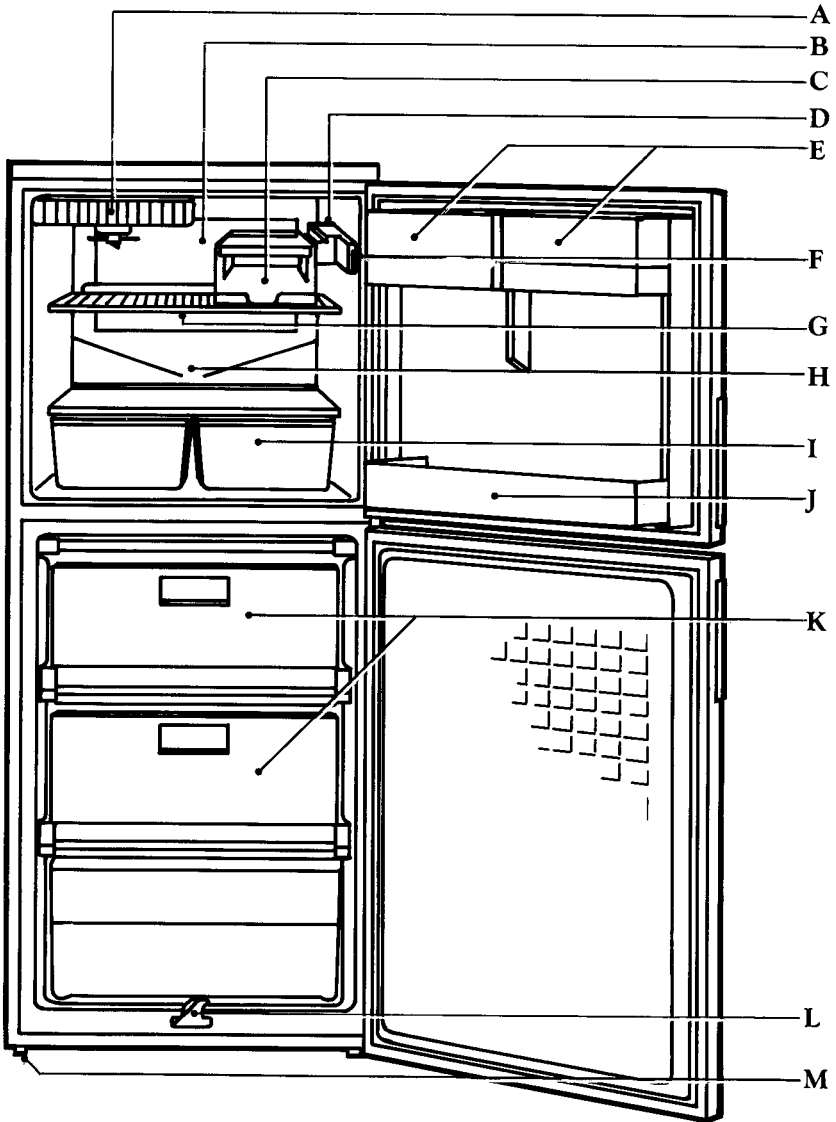
- This product is designed to be operated by adults. Children should not be allowed to tamper with the controls or play with the product.
- Any electrical work required to install this appliance should be carried out by a qualified electrician or competent person.
- This product should be serviced by an authorised Zanussi Network Service Centre and only genuine Zanussi spare parts should be used.
- It is dangerous to alter the specifications or modify this product in any way.
- Care must be taken to ensure that the appliance does not stand on the electrical supply cable.
- Zanussi domestic freezer/fridges are designed to be used specifically for the storage of edible foodstuffs only.
- There are working parts in this product which heat up. Always ensure that there is adequate ventilation as a failure to do this will result in component failure and possible food loss. See installation instructions.
- Parts which heat up should not be exposed. Wherever possible the back of the products should be close to a wall but leaving the required distance for ventilation as stated in the installation instructions.
- Before defrosting, cleaning or maintenance work is carried out be sure to switch off the appliance and unplug it.
- The cooling plate and aluminium lining or refrigerated freezer shelves in this appliance contain channels through which the refrigerant passes. If these are punctured this would cause substantial damage to the appliance and result in food loss. **DO NOT USE SHARP INSTRUMENTS** to scrape off frost or ice. Under no circumstances should solid ice be forced off the lining or shelves. Solid ice should be allowed to thaw when defrosting the appliance. See defrost instructions.
- The appliance should be left for 2 hours after installation before it is turned on in order to allow the refrigerant to settle.
- This appliance is heavy. Care should be taken when moving it.
- During transportation always keep the appliance upright.
- Ice lollies can cause frost burns if consumed straight from the freezer.
- Frozen food must not be refrozen once it has thawed out.
- Manufacturers' food storage recommendations should be strictly adhered to. Refer to relevant instructions.
- Do not place carbonated or fizzy drinks in the freezer as it creates pressure on the container which may cause it to explode resulting in damage to the appliance.
- Under no circumstances should you attempt to repair the appliance yourself. Repairs carried out by inexperienced persons may cause injury or more serious malfunctioning. Refer to your local Zanussi Network Centre and always insist on genuine Zanussi spare parts.

---

# Contents

---

Page	3	Getting to know your machine
	5	Installation
	7	Using your machine
	11	Looking after your machine
	13	Servicing
	14	Door Reversal
	16	ZANUSSI guarantee conditions
	17	ZANUSSI 5-year cover



---

# Getting to know your machine

## **A Drinks dispenser**

Provides easy dispensing of your favourite chilled drink.

## **B Cooling plate**

The refrigerant passes through this plate to cool the refrigerator compartment. Frost is automatically eliminated from the plate every time the compressor stops.

## **C Can dispenser**

Plastic holder enabling easy dispensing of chilled cans of drink.

## **D Thermostat control**

Allows adjustment of the temperature in the refrigerator to accommodate seasonal changes.

## **E Dairy Compartment**

Separate storage compartment for dairy products to prevent tainting.

## **F Internal light switch**

Operates automatically when the refrigerator door is opened and closed.

## **G Adjustable shelf**

Adjustable to four positions to allow maximum flexibility.

## **H Defrost drain**

Defrost water drains out through a trough into a special container on the back of the appliance where it evaporates.

## **I Salad drawer**

Helps keep salad produce fresh.

## **J Storage shelf with bottle grippers**

Prevents accidental spills.

## **K Freezer flap**

Flap down front allows access to frozen food.

## **L Defrost spout recess**

Insert plastic scraper to direct defrost water into a suitable container.

## **M Adjustable feet**

Allows levelling of appliance on uneven floors.

---

# Specifications

---

## EXTERIOR DIMENSIONS

Height	136.7cm (54.0ins)
Width	55cm (21.7ins)
Depth	60cm (23.6ins)

CAPACITY	Gross	Fridge	101 litres (3.6cuft)
		Freezer	123 litres (4.3cuft)
	Net	Fridge	98 litres (3.5cuft)
		Freezer	101 litres (3.6cuft)

STAR RATING 4

---

## POWER ABSORBED 110W

Voltage	220/240v
Frequency	50Hz
Average daily units electricity	1.70Kwh

# INSTALLATION

## Warning

If you are discarding an old appliance that has a lock or catch on the door, please ensure that this is made unusable to prevent young children getting trapped inside.

The chosen position for your freezer/fridge may make it preferable to change over the hinges and door handles to reverse the door hang. To do this, refer to door reversal on page 14.

For the cooling unit to work efficiently, your freezer/fridge should be located in a dry atmosphere, out of direct sunlight and away from extreme temperatures, e.g. not next to a cooker or other sources of direct heat above 32°C (90°F) or in a very cold room e.g. an outhouse, where the temperature may fall below 6°C (43°F).

Leave a clearance of at least 50mm (2ins) above the cabinet and do not obstruct the space underneath. The back of the cabinet may be placed close to the wall but should

not touch it. Do not install in a small pantry or other places with restricted ventilation.

Your freezer/fridge will be heavy when loaded with food and must therefore be stood on a strong firm floor. It should also be level. Adjust the level by screwing out the appropriate level adjusters in the feet using your fingers or a spanner. (see fig. 1) Make sure the appliance is upright and all adjusters are in firm contact with the floor so that the cabinet does not rock in any direction.

The electrical connections

**WARNING:**  
**THIS APPLIANCE MUST BE EARTHED**

The manufacturer declines any liability should this safety measure not be observed.

If the plug that is fitted to your appliance is not suitable for your socket outlet, it must be cut off and the appropriate plug fitted and the circuit protected with a 13 Amp fuse. The cut off plug should be disposed of to prevent the hazard of electric shocks in case it should be plugged into a 13 Amp socket in another part of your home.

## IMPORTANT

The wires in this mains lead are coloured in accordance with the following code:  
**GREEN AND YELLOW: EARTH**  
**BLUE: NEUTRAL**  
**BROWN: LIVE**

If you fit your own plug, the colours of the wires in the mains lead of your appliance may not correspond with the markings

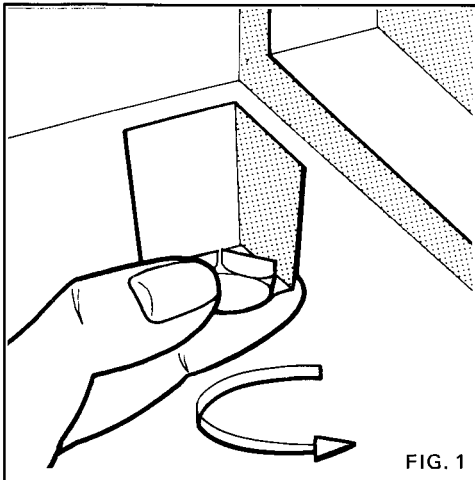


FIG. 1

---

identifying the terminals in your plug, this is what you have to do: Connect the green and yellow (earth) wire to the terminal in the plug which is marked with the letter <<E>> or the earth  $\overline{\text{E}}$  symbol or coloured green, or green and yellow.

Connect the blue (neutral) wire to the terminal in the plug which is marked with the letter <<N>> or coloured black. Connect the brown (live) wire to the terminal which is marked with the letter <<L>> or coloured red.

If at any time a replacement mains lead is required, the cross sectional area of its conductors must not be less than  $0.75\text{mm}^2$ .

The plug moulded on to the cord incorporates a fuse. For replacement use, only 13 Amp BS 1362 ASTA approved fuses should be used. The fuse cover/carrier must be replaced in the event of changing the fuse.

The right fuse cover/carrier colour is the one shown by the coloured insert at the base of the plug.

The plug must not be used if the fuse cover/carrier is lost. A replacement cover/carrier must be obtained from Zanussi Service Agents whose addresses are listed on the attached Zanussi Service Agents Nationwide.

This appliance complies with E.E.C. directive no. 82/499 of 7.6.82 relative to radio interference suppression.



# Using your machine

## Before using

Remove all securing tapes. Wash inside the appliance with lukewarm water and a little bicarbonate of soda (one teaspoonful to each pint of water).

Do not use soap or detergent as the smell will linger. Dry thoroughly.

To start the cooling system, plug into the wall socket, switch on and turn the thermostat knob to setting 3.

The fridge and freezer compartment temperature will be affected by location, room temperature and frequency of door opening and adjustment of the thermostat setting may be needed to allow for this.

When operating, the outside, front edges of the freezer may feel warm to the touch. This is quite normal.

*We advise you to run your freezer/fridge for a day before storing frozen food.*

## The Fridge Compartment

Temperature control (see fig. 2).

With the thermostat knob set to 3 the temperature in the refrigerator will be suitable for the storage of most fresh foods, salad vegetables, milk, certain wines and other drinks, while the freezer temperature will be suitable for the long term storage of frozen foods under most conditions of use.

If a lower temperature is needed (e.g. during hot weather), turn the thermostat knob to a higher number or, for less cooling, a lower number.

The required temperature inside the fridge compartment is from 0°C to 7°C (32°F to 45°F)

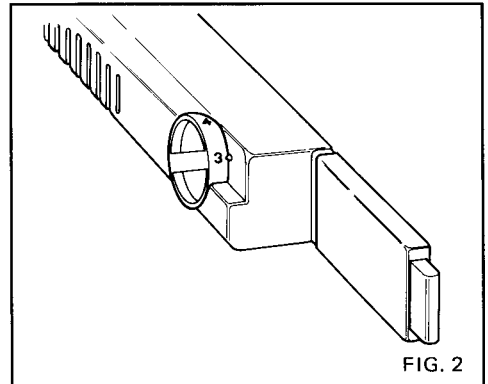


FIG. 2

During prolonged periods of abnormally hot weather, if the thermostat is set on too high a number, the cooling system may operate continuously and the fridge compartment cooling plate may not defrost. Turning the knob to a lower number will cause automatic defrosting to resume.

To obtain the best results from the refrigerator neither hot food nor liquid which may evaporate, should be placed inside the refrigerator.

Cover all food, particularly food with strong aroma.

Do not pack shelves too tightly or cover shelves with paper, so as not to obstruct the free circulation of air.

Place meat to be stored in a special hermetically-sealed box, which should be put on the lower shelf of the compartment; in this way, meat can only be stored safely for one or two days at the most.

Cooked food, cold cuts, jelly etc. should be well covered and can be stored on any of the shelves.

Fruit & vegetables should be thoroughly cleaned and placed in the special drawers. Butter & cheese should be placed in special airtight containers or wrapped in aluminium foil or polythene bags to exclude as much air as possible.

Milk bottles should have a cap and should be stored in the bottle rack on the door. The inner walls of the refrigerator compartment incorporate a number of self-carrying runners which allow the shelves to be placed at various levels.

Storage times will vary according to the type of food and how fresh it is when put into the fridge compartment but no food should be stored for longer than the times stated.

### Drink chiller

The drink chiller can be removed from the holder by sliding forward. Fill the container with your favourite fruit drink, dilute squash, etc., and reposition it in its holder.

To dispense a drink push a glass up onto the arms of the dispensing tap, releasing the pressure on the arms automatically stops the flow of drink.

**IMPORTANT:** Clean your drink chiller regularly to prevent a build-up of sugary deposits. If deposits do form, soak in warm water until they dissolve then pour fresh water into the container and operate the dispenser button a few times to ensure it is free.

### Suggested maximum storage times

Type of food	Storage time
Uncooked fresh meat	
poultry, beef, and lamb	3-5 days
pork	2-4 days
sausages	3 days
mince & offal	1-2 days
Cooked meat	
ham, sliced meat	2-3 days
pies	1 day
casseroles & paté	2 days
poultry	2-3 days
Bacon	1 week
Dairy produce	
milk	2-3 days
cream	1 week
butter	3-4 weeks
hard cheese	3-4 weeks
soft cheese	1 week
Vegetables & Salads	1 week
Fruit	2 weeks

## The Freezer Compartment

This freezer **F3\*\*\*** is suitable for long term storage of commercially frozen food marked with the symbol **F3\*\*\*** (i.e. up to three months, unless otherwise stated by the manufacturer), and for freezing fresh food. Do not exceed the storage times shown by the manufacturer on the commercially frozen food packets.

### Storing frozen food

Your freezer compartment has the following capacities:

Net Storage Volume 101 litres (3.6cuft).

\*Weight of Stored Food 32.3kg (71lb).

*\*(This is a standard measurement and the actual capacity depends upon the density and sizes of food. The above figures are based on an average density of 0.32kg per litre (20lb per cubic foot).\**

*We advise you to run your freezer/fridge for a day before storing frozen food.*

### Freezing fresh food

In any 24 hours you can freeze as much as 12kg (26.4lb) of fresh food.

Turn the thermostat knob to setting 6 at least 4 hours before inserting the food to be frozen.

Existing frozen foods should be re-arranged to leave space on the top shelf for freezing. The packets to be frozen should be placed on the top shelf in contact with the refrigerated surfaces as far as possible and spaced apart to allow the cold air to circulate between them. They should not touch existing packets.

During the freezing process, ensure that the freezer door remains closed.

When the food has frozen (which will take

up to 24 hours, depending on the amount), transfer it to the other shelf or the plastic drawer, if there is room, to leave space on the top shelf for further freezing.

Finally return the thermostat knob to its usual setting.

### Attention

Do not put carbonated liquids (fizzy drinks, etc.) in the freezer.

Water ices, if consumed immediately after removal from the freezer, can possibly result in a low-temperature skin burn condition.

If there is a power failure during the storage of frozen food, do not open the door during the whole time of the failure. If the freezer is fully loaded, the frozen food will not be affected if the power cut is of short duration; otherwise, it is recommended to consume the food within a very short time.

### Ice Making

Fill the ice tray with water to the top of each ice cube compartment, and place it on a freezer shelf.

If there is no room on a freezer shelf, the tray can be placed on top of frozen food but ensure that the surface is level to reduce the risk of spillage before the water has frozen.

To release the ice cubes, twist the tray along its length.

### Thawing

Deep-frozen or frozen food, prior to being used, can be thawed in the refrigerator compartment or at room temperature, depending on the time available for this operation.

Small pieces may even be cooked still frozen, directly from the freezer: in this case, cooking will take longer.

---

Any frozen food which is allowed to thaw accidentally should either be eaten as soon as possible or thrown away. Alternatively, if the food is uncooked and it has not been completely defrosted it can be cooked then refrozen.

*Defrosted cooked food must never be refrozen.*

### **Important points to remember**

#### **DO ...**

adjust the level of your freezer/fridge before loading it with food. – see page 5

cover or wrap liquids and foods particularly those with strong odours.

put vegetables and salads in the salad drawer, in plastic bags.

Cover melons and pineapples and only store for short periods.

rotate stocks of frozen foods; date markings will help with this.

keep the refrigerator drain outlet clear if blocked, carefully clean it with a piece of flexible curtain wire.

leave the doors ajar when the freezer/fridge is not in use.

#### **DON'T ...**

obstruct air circulation in the fridge by tightly packing stored items.

put hot food in the fridge or freezer.

let food or containers touch the refrigerator cooling plate.

store bananas in the fridge or freezer.

use a sharp instrument to hasten defrosting or remove ice trays.

# Looking after your machine

## Defrosting

The *Fridge Compartment* is defrosted *automatically*. Defrost water from the cooling plate runs out of the drain and onto a tray on the motor compressor where it is evaporated. This process is completely automatic. Droplets of water on the cooling plate during defrosting are quite normal and will freeze on the plate afterwards.

In the *Freezer Compartment* frost accumulates on the refrigerated shelves during normal working and should occasionally be removed using a stiff bristle brush or plastic scraper.

Heavy frosting (about ¼" thick) will reduce the freezer's efficiency and therefore complete defrosting should then be carried out, probably at six month intervals depending on usage.

Preferably you should do this when there is little or no food in the freezer in the following manner.

1. Any remaining frozen food should be placed in another freezer, or placed in cardboard boxes and wrapped in blankets, or layers of paper. Put in a cool place.
2. Switch off at the wall socket and remove the plug.
3. Place the handle of the plastic scraper supplied, in the recess at the bottom of the freezer compartment to act as a drainage spout. Put a suitable container under the spout to collect the defrost water, and leave the door open. (see fig. 3).
4. Defrosting can be speeded up by putting bowls of hot (not boiling) water in the freezer and loosening the frost with a stiff bristle brush.

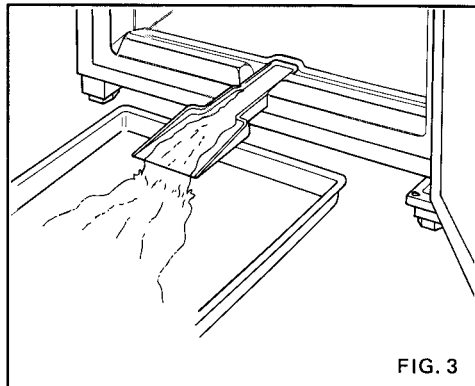


FIG. 3

5. After defrosting, clean and dry the interior as explained under "Cleaning" and remove the plastic scraper. Switch on, replace any frozen food and close the door.

**Important:** Ensure the scraper is kept in a safe place at all times for future defrosting.

**REMEMBER,** if the temperature of frozen food is allowed to rise unduly during defrosting its storage life may be shortened.

## Cleaning

The most suitable time to clean your freezer/fridge is after defrosting the freezer and remember to first switch off and pull out the plug.

Both compartments and all the fittings should be thoroughly cleaned with a clean cloth wrung out in a solution of one teaspoonful of bicarbonate of soda in each pint of water.

**Never use detergents, abrasives powders, highly perfumed cleaning materials or wax polishes to clean the interior as these will damage the surfaces and leave a strong smell.**

The outside should be occasionally dusted or wiped over with a damp cloth and a small amount of detergent. But not the door seal, which should be cleaned only with soap and water and thoroughly dried. A very small amount of wax polish applied every few months will maintain the gloss finish of the outside.

The motor compressor and condenser at the rear should also be cleaned of dust occasionally using a brush, but make sure the freezer/fridge is unplugged when you do this.

Occasionally, strong smelling food may leave the fridge with a slight odour. Placing a small dish of bicarbonate of soda powder in the fridge should slowly absorb these smells. The dish should be refilled periodically.

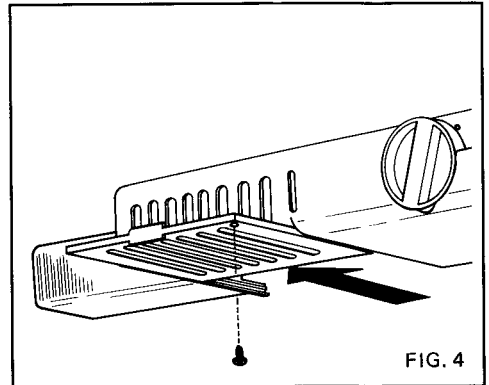
Clean the drain hole of the defrost water trough at regular intervals and make sure that this drain hole is never obstructed, so that the defrost water may flow freely.

During periods when the appliance is not in use, take the following precautions: unplug the freezer/fridge from the power supply, remove all foodstuffs from the refrigerator and the freezer, clean the interior and all accessories; leave the doors ajar to facilitate the circulation of air in the interior of the cabinet so as to prevent unpleasant odours from lingering in the appliance.

### Changing the light bulb

Should the interior light fail to work, *first switch off and pull out the mains plug*, and then replace the bulb as follows:

Remove screw (see fig. 4) and slide light cover out towards the centre of the fridge. Unscrew the bulb and replace it with a new S.E.S. 10 watt bulb (available from your local Zanussi service network).



To replace the light cover slide it into its original position and replace screw.

---

# Servicing

If, having followed these instructions carefully, your machine fails to work properly contact your local Zanussi Service Network. Details can be found under 'Z' in your telephone directory. Before you do that though, it is worth making a few simple checks yourself.

Is there a power failure? Check your house lights. If so, keep the freezer door closed until the power is restored.

Is the plug firmly connected to the wall socket and the socket switched on? Check the power supply by plugging in another appliance.

Is the fuse in the plug intact and are the wires in the mains lead correctly connected to the plug? (See 'Installation' page 5).

Have you turned the thermostat to the correct setting?

Have the doors been left open causing the temperature to rise?

Sometimes the freezer door will be difficult to open shortly after you have closed it.

Don't worry; this is due to a pressure difference which will quickly equalise and allow the door to open normally.

Failure to observe these checks could result in your being charged for the service call when requested.

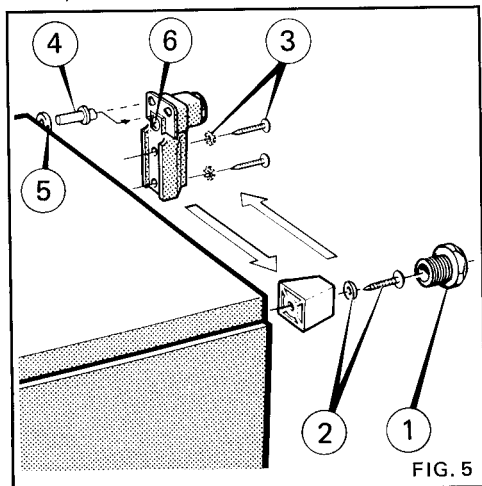
- Please note that it will be necessary to produce proof of purchase for any 'in guarantee' service call.

# Door Reversal

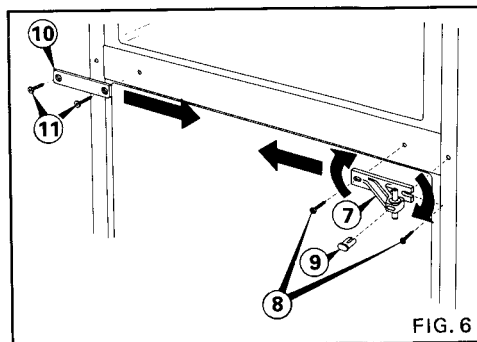
1. If your freezer/fridge is already in use, disconnect it from the electricity supply and remove shelves and other loose items, including food. Place frozen food in another fridge or freezer or in boxes wrapped in blankets or other suitable insulating material and put in a cool place.

2. Gently lie the appliance on its back with the top held away from the floor by at least 12 inches (use a stool or something similar). Remove level adjuster (1) (fig. 5) from the small foot. Remove both front feet by taking out the screw and washer (2) from the centre of the small foot, and both screws and washers (3) from the large foot. (This foot and the hinge blade will come away as a complete assembly). Pull out the lower hinge pin (4) which may have come away with the hinge blade or remained in the door.

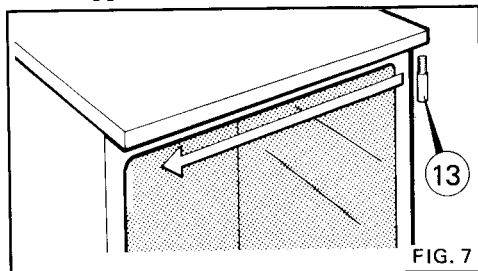
Do not lose the washer(s) (5) (where fitted).



3. Remove the bottom door by lifting it slightly and carefully sliding it down off the centre hinge (7) (fig. 6). Remove centre hinge and washers (where fitted) by taking out the two securing screws (B). Access to the outer screw can be gained by inserting a screwdriver through the hole in the body of the hinge after removing the plastic cap (9). Pull the hinge down out of the top door. The top door can then be removed by carefully sliding it down off the upper hinge pin. Remove the blanking plate (10) by taking out 2 screws (11). Refit the plate and screws on the opposite side.



4. Unscrew the upper hinge pin (13) (using a screwdriver if necessary) and transfer it to the opposite side.



5. Re-fit the top door by carefully sliding it onto the upper hinge pin.



6. Turn the centre hinge (7) around from its illustrated position and transfer to the opposite side. To secure the centre hinge, gently press up into top door (refit any spacing washer(s) on the top side of the hinge, to position top door at correct height). Refit the two screws (8) to secure centre hinge to cabinet. Ensure top door is correctly aligned before fully tightening the two screws.

7. Refit the bottom door by carefully sliding it onto the centre hinge pin. Ensure that washer(s) (5) (fig. 5) (if originally fitted) is/are on the lower hinge pin (4), then push the pin (rounded end) into the bush at the bottom of the door on the side opposite to its original position.

8. Refit the lower hinge blade/foot assembly on the opposite side with screws and locking washers (3). Take care to ensure that the shaped end of the hinge pin enters and locates properly in the appropriate hole in the hinge blade.

9. Refit the small foot, its screw entering the hole furthest from the cabinet front; replace the level adjuster (1).

10. Stand the appliance upright.

11. Using a pocket knife blade or similar instrument, carefully prise out the plastic plugs from the alternative handle positions on the opposite sides of the doors. (Protect the paintwork from damage with masking tape or other suitable material between the blade and painted surface).

Transfer the handles to their new positions and push the plastic plugs into the vacated screw holes.

12. Adjustment can be made to the lower door by loosening the screw (6) securing the hinge blade to the foot and adjusting the hinge blade in or out, a little at a time, to tighten or loosen the fit. Re-tighten the screw each time an adjustment has been made before again checking for satisfactory door closure. Side adjustment to the lower door can be made by loosening the screws (3) and moving the blade foot assembly to the left or right. Re-tighten the screws each time an adjustment has been made before checking for satisfactory door closure alignment.

13. Remember finally to carefully level the freezer/fridge by means of the level adjusters (1) in the feet - see page 5 of operating instructions.

---

# Peace of mind for twelve months

## ZANUSSI STANDARD GUARANTEE CONDITIONS

This guarantee is in addition to your statutory and other legal rights which will not be excluded or in any way diminished by the return of this guarantee card.

We, IAZ International (UK) Ltd, undertake that if, within twelve months (24 months for TV sets) of the date of the purchase, this ZANUSSI appliance or any part thereof is proved to be defective by materials, we will, at our option, repair or replace the same **FREE OF ANY CHARGE** for labour, materials or carriage on condition that:

The appliance has been correctly installed and used only on the electricity supply stated on the rating plate.

The appliance has been used for normal domestic purposes only, and in accordance with the manufacturer's operating and maintenance instructions.

The appliance has not been serviced, maintained, repaired, taken apart or tampered with by any person not authorised by us.

The appliance is still in the possession of the original purchaser.

All service work under this guarantee must be undertaken by a Zanussi Network Service Centre (or the Zanussi Authorised TV Service Dealer).

Any appliance or defective part replaced shall become our property.

## Exclusions

This guarantee does not cover:

Damage or calls resulting from transportation, improper use or neglect, the replacement of any light bulb or removable parts of glass or plastic.

Costs incurred for calls to put right machines improperly installed for calls to machines outside the UK and the Republic of Ireland.

Appliances found to be in use within a commercial environment, plus those which are the subject of rental agreements.

Television receivers-routine adjustment, or poor reception resulting from a source outside of the receiver.

---

# or five years

## ZANUSSI 5 YEAR COVER GUARANTEE

For a once-only payment you can extend your Standard Guarantee to 5 years. All the conditions and exclusions of the Standard Guarantee apply.

### Notes

1. Products supplied as 'seconds' refurbished, damaged or shop-soiled are not eligible for Zanussi 5 Year Cover.
2. The issue of a cover does NOT by virtue of our having done so, nullify the exclusions.

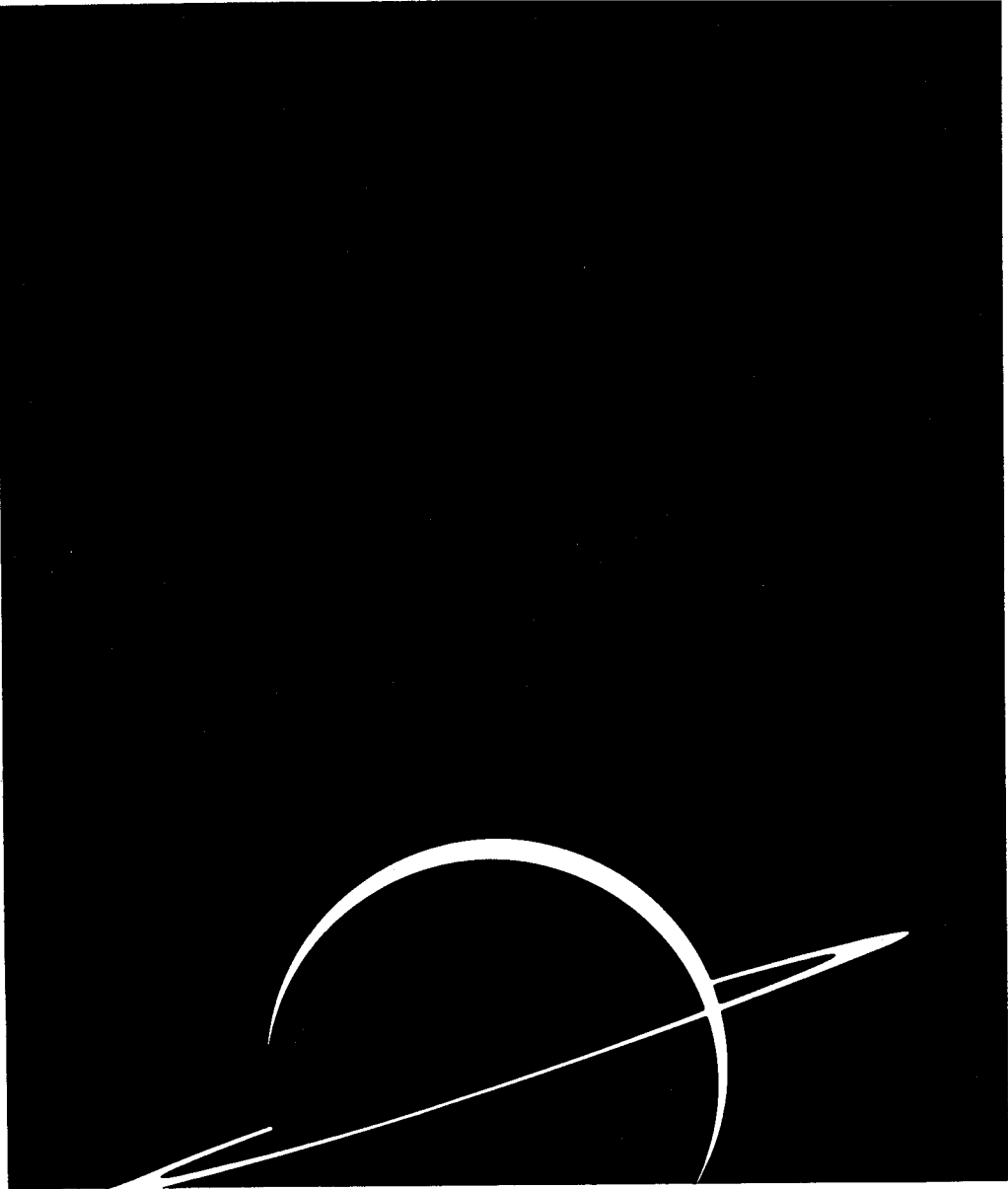
3. The Engineer will need to check the details of your Cover card and may make a charge for his services if it is not presented to him at the time of his call.
4. The date of purchase, or the date of initial payment (deposit) of the appliance will be deemed the date of commencement of cover.
5. Covers issued are not refundable or transferable.

---

## Guarantee record

Appliance purchased from \_\_\_\_\_ on \_\_\_\_\_  
Guarantee card no \_\_\_\_\_ Model No \_\_\_\_\_  
Serial No \_\_\_\_\_ (These details may be  
Your name \_\_\_\_\_ taken from your  
Address \_\_\_\_\_ Guarantee Record  
Card)

---



# ZANUSSI

The appliance of science

IAZ International (UK) Ltd., Zanussi House, Reading.

The information in this manual is correct at time of going to press.  
Zanussi reserve the right to alter specifications without notice.

Part No. 822020072-00-00

Download from [Www.Somanuals.com](http://www.Somanuals.com). All Manuals Search And Download.

## Free Manuals Download Website

<http://myh66.com>

<http://usermanuals.us>

<http://www.somanuals.com>

<http://www.4manuals.cc>

<http://www.manual-lib.com>

<http://www.404manual.com>

<http://www.luxmanual.com>

<http://aubethermostatmanual.com>

Golf course search by state

<http://golfingnear.com>

Email search by domain

<http://emailbydomain.com>

Auto manuals search

<http://auto.somanuals.com>

TV manuals search

<http://tv.somanuals.com>