

# ZANUSSI



## FRIDGE FREEZER

### ZRD 185W1

## INSTRUCTION BOOK

GB

**This instruction book contains safety precautions, information on use and helpful hints and tips.**

**To ensure you use this appliance effectively and safely, please read this instruction book carefully before installing or using it and retain for future reference.**

The symbols below help you to find things more easily:



**Safety precautions**

Warnings and Safety information



**Hints, useful information**



**Environmental information**



The symbol on the product or on its packaging indicates that this product may not be treated as household waste. Instead it should be taken to the appropriate collection point for the recycling of electrical and electronic equipment. By ensuring this product is disposed of correctly, you will help prevent potential negative consequences for the environment and human health, which could otherwise be caused by inappropriate waste handling of this product. For more detailed information about recycling of this product, please contact your local council, your household waste disposal service or the shop where you purchased the product.

# IMPORTANT SAFETY INSTRUCTIONS

These warnings are provided in the interest of your safety. Ensure that you understand them all before installing or using this appliance. Your safety is of paramount importance. If you are unsure about any of the meanings or these warnings contact the Customer Care Department.

## Prior to installation

- Check the appliance for transport damage. Under no circumstances should a damaged appliance be installed. In the event of damage please contact your retailer.

## Installation

- This appliance is heavy. Care should be taken when moving it.
- It is dangerous to alter the specifications or attempt to modify this product in any way.
- Ensure that the appliance does not stand on the electrical supply cable. If the supply cable is damaged, it must be replaced by a cable available from your local Service Force Centre.
- **Make sure that the power plug has not been squashed or damaged during transit.**
  - A damaged power plug may overheat and cause a fire.
- **As you unpack the appliance, check carefully for any signs of transit damage.**
- **Do not place heavy articles or the fridge/freezer itself on the power cord.**
  - There is a risk of a short circuit and fire.
- **Do not remove the power cord by pulling on its lead, particularly when the fridge/freezer is being pulled out of its niche.**
  - Damage to the cord may cause a short-circuit, fire and/or electric shock.
  - If the power cord is damaged, it must be replaced by a certified service agent or qualified service personnel.
- **If the power plug socket is loose, do not insert the power plug.**
  - There is a risk of electric shock or fire.
- Any electrical work required to install this appliance should be carried out by a qualified electrician or competent person.
- Parts which heat up should not be exposed. Whenever possible, the back up of the appliance should be close to a wall, but leaving the required distance for ventilation, as stated in the installation instructions.
- The appliance should be left for 2 hours after installation before it is turned on, in order to allow the refrigerant to settle.

## Child Safety

- Do not allow children to tamper with the controls or play with the product.
- Keep packaging materials away from children to prevent the risk of suffocation!

## Safety precautions for isobutane

### Warning

- The refrigerant isobutane (R 600a) is contained within the refrigerant circuit of the appliance, a natural gas with a high level of environmental compatibility, which is nevertheless flammable.
- Keep ventilation openings, in the appliance enclosure or in the built-in structure, clear of obstruction.
- Do not use mechanical devices or other means to accelerate the defrosting process, other than those recommended by the manufacturer.

- Do not damage the refrigerant circuit.
- Do not use electrical appliances inside the food storage compartments of the appliance.

## During Use

- This appliance is designed for domestic use only, specifically for the storage of edible foodstuffs. It is not intended for commercial or industrial use.
- Containers with flammable gases or liquids can leak at low temperatures. Do not store any containers with flammable materials, such as spray cans, fire extinguisher refill cartridges etc. in the appliance.
- Frozen food should not be refrozen once it has thawed out.
- Do not place carbonated or fizzy drinks in the freezer compartment.
- Ice lollies can cause 'frost/freezer burns' if consumed straight from the freezer.
- Do not remove items from the freezer compartment if your hands are damp/wet, as this could cause skin abrasions or frost/freezer burns.
- Bottles and cans must not be placed in the freezer compartment they can burst when the contents freeze.
- Manufacturers' recommended storage times should be adhered to. Refer to relevant instructions.


## Maintenance and Cleaning

- Before cleaning, always switch off the appliance and disconnect from the electrical supply.
- When unplugging always pull the plug from the mains socket, do not pull on the cable.

## Servicing

- This product should be serviced by an authorised engineer and only genuine spare parts should be used.
- Under no circumstances should you attempt to repair the appliance yourself. Repairs carried out by inexperienced persons may cause injury or serious malfunctioning. Contact your local Service Force Centre.

## At the end of the Appliance Life

- When disposing of your appliance use an authorised disposal site.
- The symbol  on the product or on its packaging indicates that this product may not be treated as household waste. Instead it should be taken to the appropriate collection point for the recycling of electrical and electronic equipment. By ensuring this product is disposed of correctly, you will help prevent potential negative consequences for the environment and human health, which could otherwise be caused by inappropriate waste handling of this product. For more detailed information about recycling of this product, please contact your local council, your household waste disposal service or the shop where you purchased the product.


- Remove the plug and ensure that any locks or catches are removed, to prevent young children being trapped inside.



### **The Appliance and the Environment**

This appliance does not contain gases which could damage the ozone layer.

Avoid damaging the cooling unit.

The packaging used on this appliance marked with the  symbol is recyclable.

**Keep this instruction book for future reference and ensure it is passed on to any new owner.**

# CONTENTS

## Instructions for the User

<b>Important Safety Instructions</b>	<b>3</b>
General Information	6
Description of the Appliance	6
<b>Using the Appliance</b>	<b>7</b>
Before Use	7
To Start the Appliance	7
Temperature Control	7
The Refrigerator	8
Storage Shelves	8
Storage Times	8
Freezing Fresh Food	9
Frozen Food Storage	9
Thawing	9
To Make Ice Cubes	9
<b>Hints and Tips</b>	<b>10</b>
Normal Operating Sounds	10
Food Storage	10
Energy Saving Advice	10
In the Event of a Power Failure	10
<b>Maintenance and Cleaning</b>	<b>11</b>
Internal Cleaning	11
External Cleaning	11
When the appliance is not in use	11
<b>Defrosting</b>	<b>11</b>
Refrigerator	11
Freezer	12
<b>How to change the bulb</b>	<b>12</b>
<b>Something Not Working</b>	<b>13</b>
<b>Service and Spare Parts</b>	<b>14</b>
<b>Customer Care Department</b>	<b>14</b>
<b>Guarantee Conditions</b>	<b>15</b>

## Instructions for the Installer

<b>Technical Data</b>	<b>16</b>
<b>Installing the Appliance</b>	<b>16</b>
Transportation, Unpacking	16
Cleaning	16
Location	16
Levelling the Appliance	17
Ventilation Requirements	17
Door Reversal	18
<b>Electrical Connections</b>	<b>19</b>
<b>Storage Chart</b>	<b>20</b>

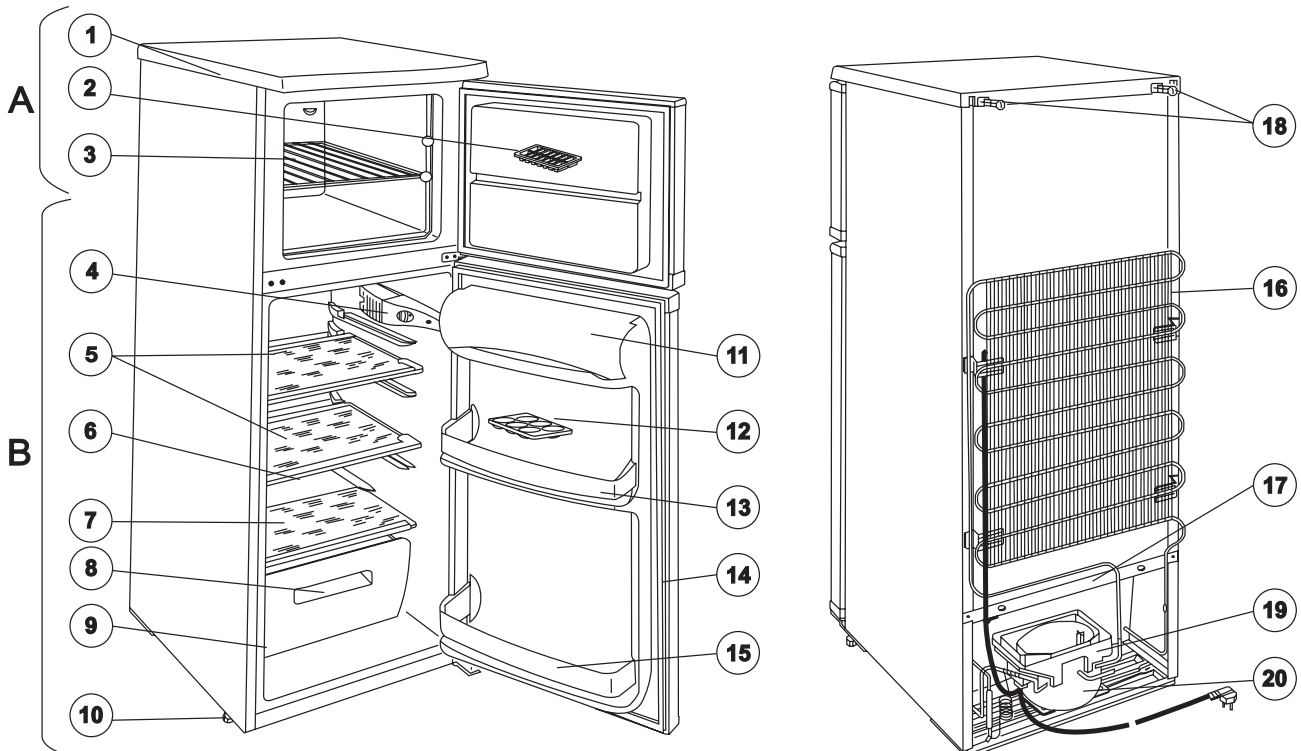
# INSTRUCTIONS FOR THE USER

## General information

This appliance is designed for the storage of refrigerated and frozen food in a domestic environment.

To ensure correct operation, the appliance should be located where the ambient temperature is between 10-32 °C.

## Description of the appliance



A - Freezer

B - Refrigerator

1. Top Panel
2. Ice tray
3. Wire shelf in the Freezer
4. Thermostat control/light
5. Glass shelves
6. Defrost water drain
7. Glass shelf
8. Salad drawer
9. Rating plate

10. Adjustable feet
11. Dairy compartment
12. Egg tray
13. Door shelf
14. Door gasket
15. Bottle shelf
16. Condenser
17. Defrost water outlet
18. Spacer
19. Evaporator tray
20. Compressor

## Using the Appliance



*This appliance is designed for domestic use only, specifically for the storage of edible foodstuffs.*

The appliance is designed to operate in ambient temperatures (surrounding air temperature) between 10 °C and 32 °C.

If these temperatures are exceeded i.e. colder or warmer, the appliance will not operate correctly. Should the ambient temperatures be exceeded for long periods, the temperature in the freezer section will rise above -18 °C and food spoilage may occur.

### Before Use

Remove all packaging and securing tapes. Wash inside the appliance with lukewarm water and bicarbonate of soda (5 ml to 0,5 litre of water). Do not use soap or detergent as the smell may linger. Dry thoroughly.



*Do not use detergents, abrasive powders, highly perfumed cleaning products, wax polishes or products containing alcohol.*



### To Start the Appliance

1. Allow the appliance to stand for 2 hrs after installation.
2. Plug in the appliance and switch on at the mains supply.
3. Turn the thermostat control to the required setting. A setting of 3 - 4 is usually suitable for normal operation (see thermostat control).
4. Leave the appliance for approximately 2 hours for the correct temperature to be reached before placing food inside.

## Temperature Control

### The Refrigerator

The thermostat control situated inside the fridge compartment regulates the temperature of the fridge. The thermostat control is marked from 1-5, the higher the number, the colder the setting.

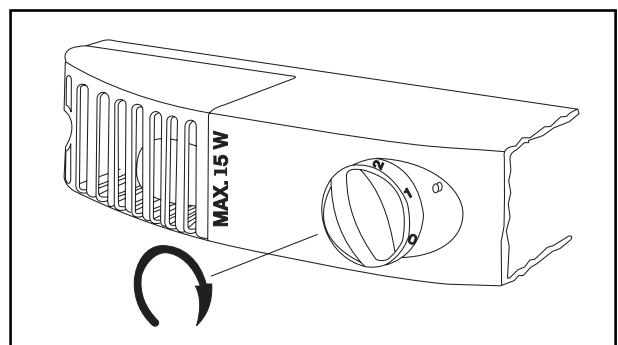
Position 0 - Off

Position 1 - minimum coldness

Position 6 - maximum coldness

The temperature will be affected by:

- Ambient temperature
- How often the door is opened
- How much food is stored
- Position of the appliance



In determining the correct temperature control setting, all these factors have to be considered and some experimentation may be necessary.



*Do not allow children to tamper with the controls or play with the product.*

## The Refrigerator

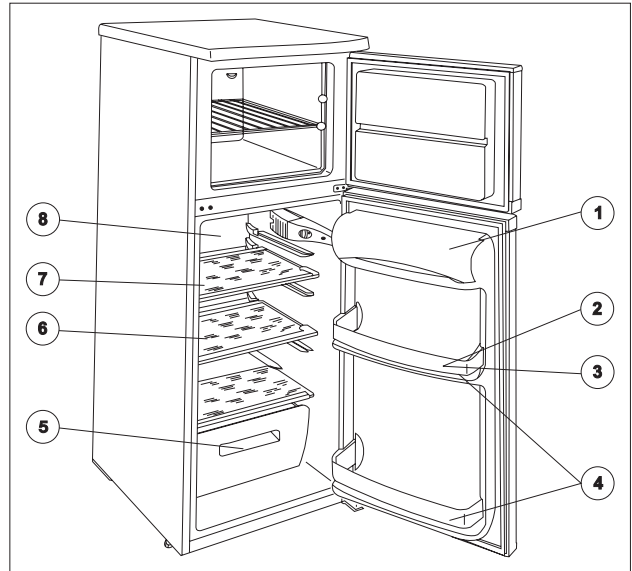
Below is the recommended storage positions for various food types:

1. Cheese, butter.
2. Eggs.
3. Yoghurt, sour cream, small bottles, drinks.
4. Large bottles, drinks.
5. Fruits, vegetables, salads.
6. Fresh meat, cold cuts, sausages etc.
7. Milk, dairy products.
8. Ready-cooked foods, fresh meat, cold cuts.

## Storage Shelves

The shelves in the refrigerator compartment are adjustable to allow for the storage of large items.

To re-arrange the shelves, open the door to 90°.



## Storage Times

The storage chart at the end of the instruction book gives information on storage times in the refrigerator compartment. The storage times quoted are intended as a guide only.

- Do not cover the shelves with paper or trays etc. as this will affect the air circulation within the refrigerator compartment.
- Do not put hot food products in the refrigerator, allow hot foods to reach room temperature naturally before placing in the refrigerator.
- Cover foods, or place in closed dishes before placing them in the refrigerator, this prevents any transference of food smells.




# The Freezer

## Freezing fresh food

The 4-star compartment (\*\*\*\*) is suitable for long term storage of commercially frozen food (i.e. for 3 months, unless otherwise stated by the manufacturer), and for freezing fresh food.

Under normal circumstances, to freeze fresh foods it is not necessary to change the setting of the thermostat knob with respect to the normal running position.

However, for a quicker freezing operation, turn the thermostat knob to the coldest setting; but remember that, in this condition, the refrigerating compartment temperature might drop below 0°C. If this occurs reset thermostat knob to a warmer setting.

 To help you make the most of the freezing process, here are some important hints:

Place the food to be frozen on the shelf.

The maximum quantity of food which can be frozen in 24 hrs. is shown on the rating plate.

Only freeze top quality, fresh and thoroughly cleaned, food products.

Prepare the fresh food in small portions to enable it to be rapidly and completely frozen and to make it possible subsequently to thaw only the quantity required at the time.

Wrap up the food in aluminium foil or polythene and make sure that the packages are airtight.

It is advisable to show on the single food packet the freezing-in date to enable you to keep track of the storage time.

Do not allow fresh, unfrozen food to touch food which is already frozen, thus avoiding a rise in temperature of the latter.

## Frozen Food Storage

When first starting the freezer or if the freezer has been out of use for some time, we advise you to run your appliance for at least 2 hours before storing frozen food.

Do not exceed the storage period indicated by the manufacturer.

Do not open the door frequently or leave it open longer than is necessary.

 **Important**

*Do not put carbonated liquids in the freezer.*

*Ice lollies, if consumed immediately after removal from the freezer can cause a low temperature skin burn.*

*In the event of a power cut the food in the freezer will not be affected if the power cut is short and the freezer is full. Do not open the door. Should the food begin to thaw it must be consumed quickly and must not be re-frozen. (See Hints and Tips)*

*Do not remove items from the freezer if your hands are damp/wet, as this could cause skin abrasions or frost/freezer burns.*

## Thawing


Deep frozen or frozen food, prior to being used, can be thawed in the fridge or at room temperature, depending on the time available. Small food items may even be cooked from frozen, in this case cooking will take longer.

Any frozen food which is allowed to thaw accidentally should either be eaten as soon as possible, or thrown away. Alternatively, if the food is uncooked and has not been completely defrosted it can be cooked and then refrozen.

 **Defrosted cooked food must never be refrozen.**

## To Make Ice Cubes

1. Fill the ice cube tray  $\frac{3}{4}$  full with cold water, place in the freezing compartment and leave to freeze.
2. To remove the cubes twist the tray or hold it under running water for a few seconds.

 **Never try to free an ice tray that is frozen to the freezer compartment by using pointed or sharp edged objects.**

# Hints & Tips

## Normal Operating Sounds

- You may hear faint gurgling or bubbling sounds when the refrigerant is pumped through the coils or tubing.
- When the compressor is on, the refrigerant is being pumped round and you will hear a whirring sound or pulsating noise from the compressor.
- A thermostat controls the compressor and you will hear a faint 'click' when the thermostat cuts in and out.

## Food Storage

To obtain the best performance from your freezer:

- Do not store warm food or evaporating liquid.
- Avoid buying frozen food if you cannot store it straight away. The use of an insulated container is advisable. When you arrive home, place the frozen food in the freezer immediately.
- Do not push food together too much, try to allow air to circulate around each item.
- Do not store uncovered food.
- Ensure that food placed in the freezer is dated and labelled and used in date order to ensure that food is consumed at its best.
- Lean food keeps better and longer than fatty food, salt reduces the storage time.
- Wrap the food in polythene or aluminium freezing bags or foil so that they adhere to the food and provide an airtight seal.
- Packaging which is swollen or has traces of refrozen water droplets on the pack could indicate that the product has not been kept at a suitable temperature and that it may have lost its original quality. Partially thawed food must not be refrozen, it must be consumed within 24 hours. Never exceed the storage times indicated by the manufacturer.

## Energy Saving Advice

- Do not install the appliance close to sources of heat, such as a boiler or radiator.
- Locate the appliance in a cool well ventilated room and make sure that the air openings of the appliance are not obstructed.
- Avoid unnecessary frosting in the cabinet by packing all foodstuffs into airtight packages before placing them in the freezer.
- Food which is to be frozen (when cool) should be placed in the fridge before being transferred to the freezer.
- Try to avoid keeping the door open for long periods or opening the door too frequently as warm air will enter the cabinet and cause the compressor to often switch on unnecessarily.
- Ensure there are no obstructions preventing the door from closing properly.

## In the Event of a Power Failure

If there is a power failure during the storage of frozen foods, keep the door closed. If the temperature within your freezer should rise, do not refreeze the food without checking its condition. The following guidelines should assist you:

**Ice Cream:** Once thawed should be discarded.

**Fruits & Vegetables:** If soft should be cooked and used up.

**Breads & Cakes:** Can be refrozen without danger.

**Shellfish:** Should be refrigerated and used up quickly.


**Cooked Dishes:** i.e. casseroles should be refrigerated and used up.

**Large Pieces of Meat:** Can be refrozen providing there are still ice crystals remaining within them.

**Small Joints:** Should be cooked and can then be refrozen as cooked dishes.

**Chicken:** Should also be cooked and refrozen as a fresh dish.


# Maintenance and Cleaning

 Before any maintenance or cleaning is carried out you must **DISCONNECT** the appliance from the electricity supply.

## Internal Cleaning

Clean the inside and accessories with warm water and bicarbonate of soda (5 ml to 0.5 litre of water).

Rinse and dry thoroughly.

 **NEVER use detergents, abrasive powders, highly perfumed cleaning products or wax polishes to clean the interior as these will damage the surface and leave a strong odour.**

## External Cleaning

Wash the outer cabinet with warm soapy water.

Once or twice a year dust the condenser (black grille) and the compressor at the back of the appliance with a brush or vacuum cleaner, as an accumulation of dust will affect the performance of the appliance and cause excessive electricity consumption.

## When the appliance is not in use

When the appliance is not in use for long periods, disconnect from the electricity supply, empty all foods and clean the appliance, leaving the door open to prevent unpleasant smells.

## Defrosting

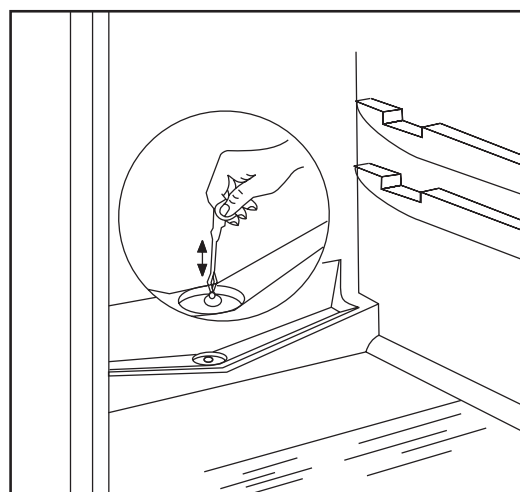
### Refrigerator

The refrigerator defrosts every time the compressor stops. The water is discharged, via the pipe, into a tray located at the back of the appliance above the compressor, where it evaporates.

 **Important**

To avoid defrost water overflowing into the fridge, periodically clean the water discharge hole in the centre of the V shaped drip collector at the back of the refrigerator compartment, behind the salad drawers.

Use a piece of flexible curtain wire for this purpose.



## Freezer

The freezer compartment will become progressively covered with frost. This should be removed with the special plastic scraper provided, whenever the thickness of the frost reaches 6 mm (¼").

During this operation it is not necessary to switch off the power supply or to remove the foodstuffs.

However, when the ice becomes very thick on the inner liner, complete defrosting should be carried out and it is advisable to perform this operation when the appliance is empty.

For complete defrosting (once or twice a year) proceed as follows:

1. Disconnect the appliance from the mains.
2. Remove any food from inside the freezer, wrap it in several sheets of newspaper and store in a cool, dry place. Ensure that the fridge door is not opened to protect the food in the refrigerator while defrosting the freezer.
3. When defrosting is complete, dry the interior thoroughly.
4. Reconnect the appliance to the mains, set the thermostat control knob to the maximum setting. Leave the appliance to run for at least two hours.
5. Replace the previously removed food.
6. Return the thermostat control knob to a medium setting.

### Important

*A temperature rise of the frozen food packs during defrosting may shorten their safe storage life.*

*Never use sharp metal tools to scrape off frost from the evaporator as this could damage the appliance beyond repair.*

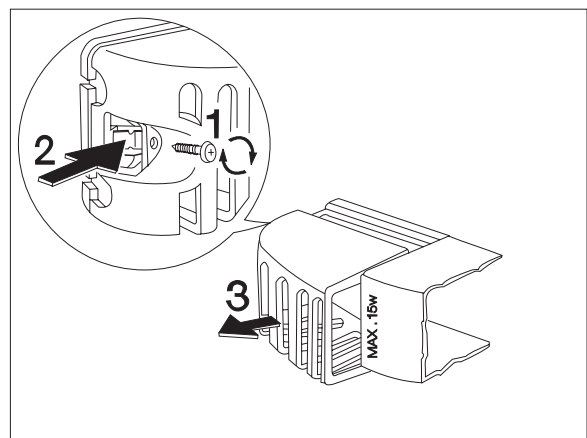
### How to change the bulb

Should the light fail to work you can change it as below:

Disconnect the appliance from the electricity supply.

Unscrew the screw holding the cover (1), press the rear hook (2) and at the same time slide the cover in the direction indicated by arrow (3). So the bulb can be replaced. (Bulb type: 230-240 V, 15 W, E 14 thread).

After changing the bulb replace the cover, snap it in place, screw back the screw and reconnect the appliance to the mains supply.



# Something Not Working

If the appliance is not working correctly, please carry out the following checks before contacting your local Service Force Centre.

Symptom	Possible Cause	Solution
No power to the appliance	No power at the socket. There is a power cut.  The fuse has blown. Thermostat control knob is set at „0“.	Check there is power at the socket. Check there is not a power cut by checking the household lights. Check the fuse has not blown. Check the thermostat setting.
The temperature in the fridge or freezer is too high	The appliance is located in an unsuitable position. The thermostat control knob is set too low.	Check the ambient temperature is within the appliances operating limits of 10 °C to 32 °C. Check that the thermostat control knob is turned to the correct setting relative to ambient conditions.
The compressor runs continuously	The thermostat control knob is set at the wrong temperature. The door is open. Large quantities of food have been placed in the cabinet. The door has been opened too frequently. The air ventilation is obstructed.	Adjust the thermostat control knob.  Close the door.  Do not leave the door open longer than necessary. Check that the air ventilation is not obstructed.
The temperature in the fridge or freezer is too low	The thermostat control knob is set too cold.	Set the thermostat control knob to a warmer position.
Excessive frost and ice has built up	The door has been left open. Something is obstructing the door. The door gasket is dirty.	Check the door has not been left open. Check nothing is preventing the door from closing. Check the door gasket is intact and clean.
The appliance is noisy.	The appliance is not level.	Check if the appliance stands stable on the floor.

If after the above checks your appliance still does not operate correctly, contact your local Service Force Centre.

Please note that it will be necessary to provide proof of purchase for any in-guarantee service calls.

**In-guarantee customers should ensure that the above checks have been made, as the engineer will make a charge if the fault is not a mechanical or electrical breakdown.**

## Service and Spare Parts

In the event of your appliance requiring service, or if you wish to purchase spare parts, please contact your local Service Force Centre by telephoning:-

**08705 929929**

Your telephone call will be automatically routed to the Service Force Centre covering your post code area.

For the address of your local Service Force Centre and further information about Service Force, please visit the website at [www.serviceforce.co.uk](http://www.serviceforce.co.uk)

Before calling out an engineer, please ensure you have read the details under the heading "Something Not Working."

When you contact the Service Force Centre you will need to give the following details:

1. Your name, address and post code
2. Your telephone number
3. Clear and concise details of the fault
4. The model and serial number of the appliance (found on the rating plate)
5. The purchase date

**Please note that a valid purchase receipt or guarantee documentation is required for in-guarantee service calls.**

## Customer Care Department

For general enquiries concerning your Zanussi - Electrolux appliance or for further information on Zanussi - Electrolux products, please contact our Customer Care Department by letter or telephone at the addresses below or visit our website at [www.zanussi-electrolux.co.uk](http://www.zanussi-electrolux.co.uk)

Customer Services Department

Major Appliances

Zanussi - Electrolux

Addington Way

Luton

Bedfordshire

LU4 9QQ

08705727727

\*calls to this number may be recorded for training purposes.

For Customer Service in Ireland please contact us at the address below:

Zanussi - Electrolux

Electrolux Group (Irl) Ltd

Long Mile Road

Dublin 12

Republic of Ireland

Tel: +353 (0)1 4090751

Email: [service.eid@electrolux.ie](mailto:service.eid@electrolux.ie)

# Guarantee Conditions

We Zanussi - Electrolux undertake that if within 12 months of the date of the purchase this ZANUSSI - ELECTROLUX appliance or any part thereof is proved to be defective by reason only of faulty workmanship or materials, the company will, at our option repair or replace the same FREE OF CHARGE for labour, materials or carriage on condition that:

- The appliance has been correctly installed and used only on the electrical supply stated on the rating plate.
- The appliance has been used for normal domestic purposes only, and in accordance with the manufacturer's instructions.
- The appliance has not been serviced, maintained, repaired, taken apart or tampered with by any person not authorised by us.
- All service work under this guarantee must be undertaken by a Service Force Centre.
- Any appliance or defective part replaced shall become the Company's property.

Home visits are made between **8.30am** and **5.30pm Monday to Friday**. Visits may be available outside these hours in which case a premium will be charged.

## EXCLUSIONS

### This Guarantee does not cover:

Damage or calls resulting from transportation, improper use or neglect, the replacement of any light bulbs or removable parts of glass or plastic.

- Costs incurred for calls to put right an appliance improperly installed or calls to appliances outside the United Kingdom.
- Appliances found to be in use within a commercial environment, plus those which are the subject of rental agreements.
- Products of Zanussi - Electrolux manufacture which are not marketed by Zanussi - Electrolux.

The guarantee is in addition to your statutory and legal rights.

## EUROPEAN GUARANTEE

If you should move to another country within Europe then your guarantee moves with you to your new home subject to the following qualifications:

- The guarantee starts from the date you first purchased your product.
- The guarantee is for the same period and to the same extent for labour and parts as exists in the new country of use for this brand or range of products.
- This guarantee relates to you and cannot be transferred to another user.
- Your new home is within the European Community (EC) or European Free Trade Area.
- The product is installed and used in accordance with our instructions and is only used domestically, i.e. a normal household.
- The product is installed taking into account regulations in your new country.

Before you move please contact your nearest Customer Care Centre, listed below, to give them details of your new home. They will then ensure that the local Service Organisation is aware of your move and able to look after you and your appliances.

France	Senlis	+33 (0) 344 62 29 29
Germany	Nuremberg	+49 (0) 800 234 7378
Italy	Pordenone	+39 (0) 0434 39 4700
Sweden	Stockholm	+46 (0) 8 672 53 90
UK	Luton	+44 (0) 8705 727 727
Ireland	Dublin	+353 (0)1 4090751

# Instructions for the Installer

## Technical data

Model	ZRD 185W1
Gross capacity (l)	Freezer: 42 Refrigerator: 138
Net capacity (l)	Freezer: 42 Refrigerator: 136
Width (mm)	496
Height (mm)	1209
Depth (mm)	604
Energy consumption (kWh/24h) (kWh/year)	0,721 263
Energy class, according to EU standards	A
Freezing capacity (kg/24h)	3
Rising time (h)	17
Rated power (W)	75
Weight (kg)	42
Number of compressors	1

## Installing the appliance

### Transportation, unpacking

The appliance and the interior fittings are protected for transport.

- Remove all packaging and any adhesive tape.
- Any remnants of adhesive can be removed using white spirit.
- After transportation the appliance must not be switched on for 2 hours. This is to allow the refrigerant to settle.

### Cleaning

Clean the accessories and the inside of the appliance with warm water and bicarbonate of soda (5 ml to 0.5 litres of water). Rinse and dry thoroughly.

*Do not use detergents, abrasive powders, highly perfumed cleaning products, wax polishes or cleaning products containing bleach or alcohol.*

## Location

The appliance should be positioned in a well ventilated, dry room.

Energy use is affected by the ambient temperature.

The appliance should therefore:

- not be installed next to radiators, cookers or other sources of heat
- only be installed at a location where the ambient temperature corresponds to the climate classification, for which the appliance is designed.

The climate classification can be found on the rating plate.

The following table shows which ambient temperature is correct for each climate classification:

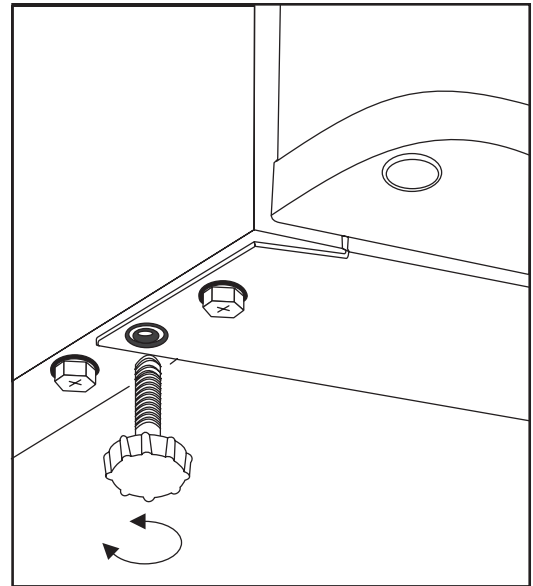
Climate Classification	Ambient Temperature
SN	+10 to +32 °C
N	+16 to +32 °C
ST	+18 to +38 °C



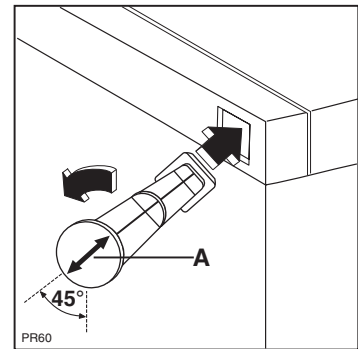
## Levelling the Appliance

When placing the appliance ensure that it stands level. This can be achieved by adjusting either or both of the feet (1) at the front of the appliance. If required the washers (2), that are accessories of the feet, can be removed.

Do not stand the appliance next to a source of heat such as a radiator or cooker.



The plastic bag of accessories also contains two spacers to be fitted into special holes in the back of the appliance. Fit the spacers into the holes, taking care to ensure that the arrow (A) is positioned as shown in Figure. Then turn them through 45° (arrow (A) vertical) until they lock into place.

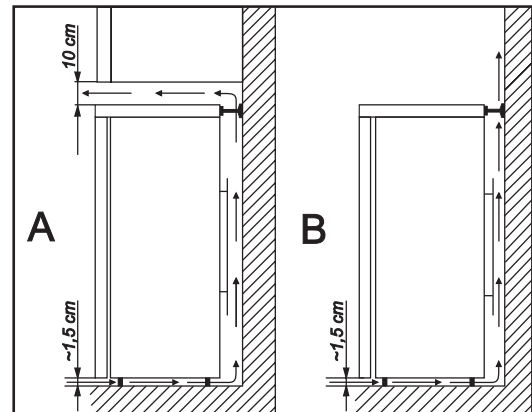


## Ventilation Requirements

The appliance must have adequate ventilation to ensure correct operation.

Diagram shows the ventilation requirements when installed:

- A Under a cupboard.
- B When freestanding

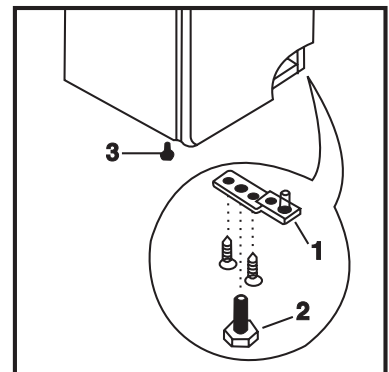
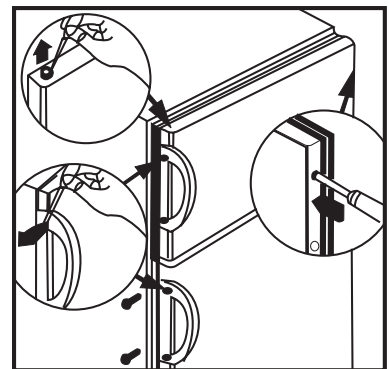
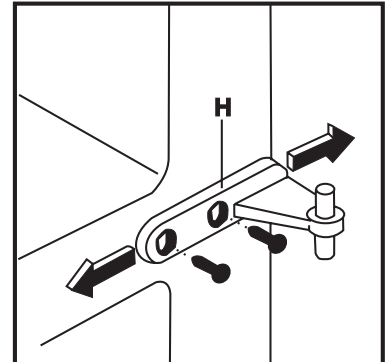
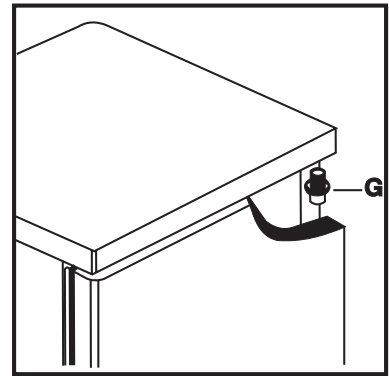


## Door Reversal


- Disconnect from the electricity supply.
- Remove all loose item, including food, store food in a cool place;
- Gently lay the fridge/freezer on its back with the top held away from the floor by 5-8 cm (2-3 inches) of packing;
- Remove the feet (2-3).
- Unscrew the bottom hinge (1).
- Slide out the lower door from middle hinge (H) and remove the latter.
- Slide out the upper door from pin (G), unscrew the latter and then screw it down into the hinge provided on the opposite side, after having removed the small plugs which should then be fitted on the opposite side.
- Refit the upper door and the middle hinge on the opposite side.
- Screw down the bottom hinge (1) on the opposite side by using the screws previously removed.
- Refit the feet (2-3) on the opposite side.
- Unscrew the handle. Refit it on the opposite side after having pierced the plugs with a punch. Cover the holes left open with the plugs contained in the documentation pack.
- The doors can be aligned by adjusting the middle hinge.
- The middle hinge can be adjusted horizontally, with the help of a tool, after having slackened the two screws.

### Attention

After completion of the door reversing operation, check that the door gasket adheres to the cabinet. If the ambient temperature is cold (i.e. in Winter), the gasket may not fit perfectly to the cabinet. In that case, wait for the natural fitting of the gasket or accelerate this process by heating the part involved with a normal hairdryer on a low setting.



# Electrical Connection

 Any electrical work required to install this appliance should be carried out by a qualified electrician or competent person.

*This appliance must be earthed.*

**The manufacturer declines any liability should these safety measures not be observed.**

## Electrical Requirements

Before switching on, make sure the electricity supply voltage is the same as that indicated on the appliance rating plate.

The appliance is supplied with a 13 amp plug fitted. In the event of having to change the fuse in the plug supplied, a 13 amp ASTA approved (BS 1362) fuse must be used. Should the plug need to be replaced for any reason. The wires in the mains lead are coloured in accordance with the following code:

Green and Yellow: Earth  
Blue: Neutral  
Brown: Live

The wire coloured green and yellow must be connected to the terminal marked with the letter "E" or by the earth symbol  $\oplus$  or coloured green and yellow.

The wire coloured blue must be connected to the terminal "N" or coloured black.

The wire coloured brown must be connected to the terminal marked "L" or coloured red.

**Upon completion there must be no cut, or stray strands of wire present and the cord clamp must be secure over the outer sheath.**

 **Important!**


**The plug must still be accessible after the appliance has been installed.**

**The appliance should not be connected to the electrical supply by means of an extension cable.**

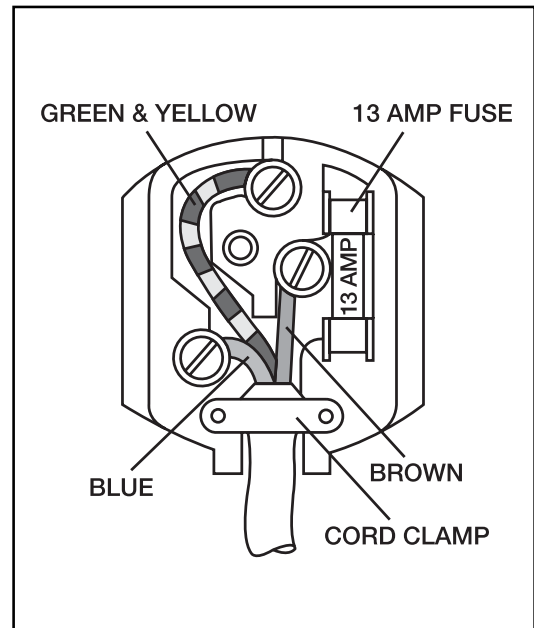
**In case that the electrical cable has to be replaced, please contact your local Service Force Centre.**

 **Warning!**

**A cut off plug inserted into a 13 amp socket is a serious safety (shock) hazard. Ensure that it is disposed of safely.**

 This appliance complies with the following E.E.C. Directives:

- **73/23 EEC** of 19.02.73 (Low Voltage Directive) and subsequent modifications,
- **89/336 EEC** of 03.05.89 (Electromagnetic Compatibility Directive) and subsequent modifications.



# Storage time chart

Time and method of storage of fresh foods in the refrigerator

Foods	Storage time in days							Method of packaging
	1	2	3	4	5	6	7	
Raw meat	X	X	x	x	x			cling film, airtight
Cooked meat	X	X	X	x	x	x		dish covered
Roasted meat	X	X	X	x	x			dish covered
Raw minced meat	X							dish covered
Cooked minced meat	X	X	x	x				dish covered
Cold cuts	X	X	x	x				cling film, cellophane, grease-proof paper
Fresh fish	X	x	x					cling film, airtight
Cooked fish	X	X	x	x				dish covered
Tinned fish, open	X	x	x					dish covered
Fresh chicken	X	X	X	x	x	x		cling film, airtight
Fried chicken	X	X	X	x	x	x		dish covered
Fresh duck, goose	X	X	X	x	x	x		cling film, airtight
Roasted duck, goose	X	X	X	X	x	x	x	dish covered
Butter unopened	X	X	X	X	X	X	X	original packaging
Butter opened	X	X	X	X	X	X	X	original packaging
Milk	X	X	X	x	x			original packaging
Cream	X	X	x	x				plastic box
Sour cream	X	X	X	X	x	x	x	plastic box
Cheese (hard)	X	X	X	X	X	X	X	aluminium foil
Cheese (soft)	X	X	X	X	x	x	x	cling film
Egg	X	X	X	X	X	X	X	
Spinach, sorrel	X	X	x	x				cling film
Green peas, green beans	X	X	X	X	x	x	x	cling film
Mushroom	X	X	x	x	x			cling film
Carrot	X	X	X	X	X	X	X	cling film
Tomato	X	X	X	X	X	X	X	cling film
Cabbage	X	X	X	X	X	x	x	cling film
Fruits (Strawberries, raspberries, etc.)	X	X	X	x	x			cling film
Tinned fruits opened	X	X	X	x	x			dish covered
Cakes filled with cream	X	X	x	x				dish covered

## Notation:

- X** recommended storage time
- x** maximum recommended storage time

© Electrolux plc 2007

ELECTROLUX HOME PRODUCTS OPERATIONS EUROPE

 From the Electrolux Group. The world's No.1 choice.

The Electrolux Group is the world's largest producer of powered appliances for kitchen, cleaning and outdoor use. More than 55 million Electrolux Group products (such as refrigerators, cookers, washing machines, vacuum cleaners, chain saws and lawn mowers) are sold each year to a value of approx. USD 14 billion in more than 150 countries around the world.

Download from [www.Somanuals.com](http://www.Somanuals.com). All Manuals Search And Download.

## Free Manuals Download Website

<http://myh66.com>

<http://usermanuals.us>

<http://www.somanuals.com>

<http://www.4manuals.cc>

<http://www.manual-lib.com>

<http://www.404manual.com>

<http://www.luxmanual.com>

<http://aubethermostatmanual.com>

Golf course search by state

<http://golfingnear.com>

Email search by domain

<http://emailbydomain.com>

Auto manuals search

<http://auto.somanuals.com>

TV manuals search

<http://tv.somanuals.com>