

ZANUSSI

FREEZER ZV11R

INSTRUCTION BOOKLET

8181502-00/9

Important Safety Instructions



These warnings are provided in the interests of your safety. Ensure that you understand them all before installing or using the appliance. Your safety is of paramount importance. If you are unsure about any of the meanings or warnings contact the Customer Care Department.

Keep the instruction booklet. It will come in handy if you later sell the cabinet or give it to somebody else.

Prior to Installation

- Check the appliance for transport damage. Under no circumstances should a damaged appliance be installed. In the event of damage please contact your retailer.

Installation

- This appliance is heavy. Care should be taken when moving it.
- It is dangerous to alter the specifications or attempt to modify this product in any way.
- Ensure that the appliance does not stand on the electrical supply cable. If the supply cable is damaged, it must be replaced by a cable available from your local Service Force Center.
- Any electrical work required to install this appliance should be carried out by a qualified electrician or competent person.
- Parts which heat up should not be exposed. Whenever possible, the back of the appliance should be close to a wall, but leaving the required distance for ventilation, as stated in the installation instructions.
The appliance should be left for 2 hours after installation before it is turned on, in order to allow the refrigerant to settle.

Child Safety

- Do not allow children to tamper with the controls or play with the product.
- There is a risk of suffocation! Keep packaging material away from children.

During Use

- This appliance is designed for domestic use only, specifically for the storage of edible foodstuffs only.
It is not intended for commercial or industrial use.
- Containers with flammable gases or liquids can leak at low temperatures. Do not store any containers with flammable materials, such as spray cans, fire extinguisher refill cartridges etc.

in the refrigerator or freezer.

Maintenance and Cleaning

- Before cleaning, always switch off the appliance and disconnect from the electrical supply
- When unplugging always pull the plug from the mains socket, do not pull on the cable.

Servicing

- This product should be serviced by an authorised engineer and only genuine spare parts should be used.
- Under no circumstances should you attempt to repair the appliance yourself. Repairs carried out by inexperienced persons may cause injury or serious malfunctioning. Contact your local Service Force Centre.

At the end of the Appliance Life

- When disposing of your appliance use an authorised disposal site.
- Remove the plug and ensure that any locks or catches are removed, to prevent young children being trapped inside.
- Do not let sharp objects come into contact with the refrigerating system on the back of and inside the cabinet. If the refrigerating system is punctured, the cabinet will be damaged and foodstuff inside may spoil.
If the refrigerant circuit should become damaged:
avoid open flames and sources of ignition
thoroughly ventilate the room in which the appliance is situated
The refrigerant isobutane (R600a) is contained within the refrigerant circuit of the appliance, a natural gas with a high level of environmental compatibility, which is nevertheless flammable.
- Do not place carbonated or fizzy drinks in the freezer compartment. Bottles and cans must not be placed in the freezer compartment they can burst when the contents freeze.

Instructions for the user

Important Safety Instructions	2
Contents	3
Description of the Appliance	4
Control Panel	4
Use	4
Operation	4
Before use	5
To start the freezer and thermostat control	5
Switching off	5
Freezing	5
Alarms and other features	6
Suitable storage periods	6
Temperature inside the freezer	6
Thawing	6
Cabinet interior	7
Hints and Tips	8
Energy Saving Advice	8
Food Storage	8
Normal Operating Sounds	8
Maintenance and Cleaning	8
Removing the ventilation grille	8
Internal Cleaning	9
External Cleaning	9
Defrosting the freezer	9
To Change the Light Bulb	10
When the appliance is not in use	10
Something Not Working	10
Service and Spare Parts	11
Customer Care Department	11
Guarantee Conditions	11

Instructions for the installer

Technical specification	12
Installation	13
Unpacking	13
Cleaning	13
Installing the cabinet	13
Electrical connection	14
Door Reversal	15

Guide to use the instruction book

The following Symbols will be found in the text to guide you through the instructions



Safety instructions

1, 2, 3 ...

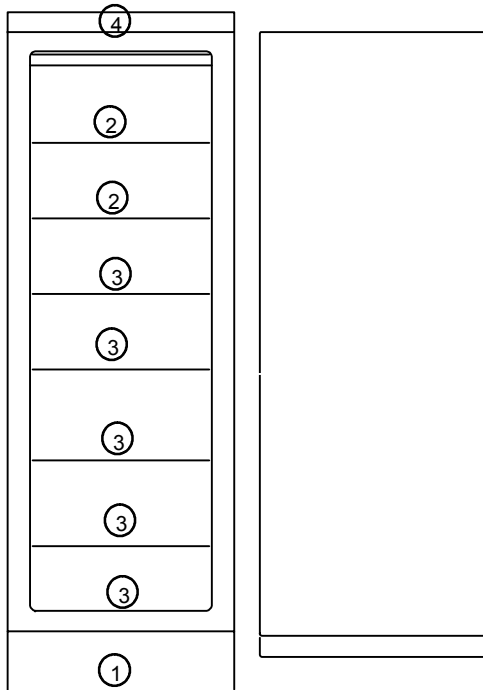
Step by step instructions for an operation



Hints and tips

Description of the Appliance

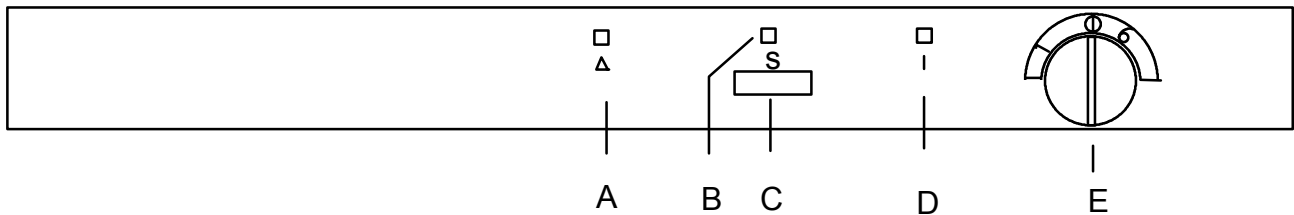
GB



Model ZV11R

1. ventilation grille
2. shelf with flap
3. freezer basket
4. control panel

Control Panel



A Red warning light

Flashes when one of the alarms in the cabinet has been triggered.

B Yellow indicator light

Lights when Fast Freeze is operating.

C FAST FREEZE button

Used to switch the Fast Freeze feature on and off.

D Green indicator light

Lights when the freezer is operating.

E Thermostat control

Use to switch on and set the desired temperature in the freezer.

Use

GB

Operation



This appliance is designed for domestic use only, specifically for the storage of edible foodstuffs.

This appliance is designed to operate in ambient temperatures (surrounding air temperature) between 10°C and 32°C.

If these temperatures are exceeded i.e., colder or warmer, the appliance will not operate correctly.

Before use

- Remove all securing tapes.
- Wash the inside of the appliance with lukewarm water a little bicarbonate of soda added (5ml to 0,5 litre of water). Do not use soap or detergent as the smell may linger. Dry the appliance thoroughly.



Do not use detergents, abrasive powders, highly perfumed cleaning products, wax, polishes or products containing alcohol.

- Before inserting the power plug into the outlet and switching on the cabinet for the first time, leave it standing upright for about 30 minutes, or for 4 hours if it was transported horizontally. Otherwise the compressor may sustain damage. This time will allow the oil sufficient time to return to the compressor.

To start the freezer and thermostat control

1. Plug in the appliance.

Turn the thermostat control to the desired position.

1 :

The lowest position of the thermostat control results in the highest temperature inside the cabinet.

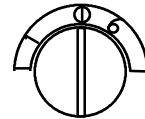
6 :

The highest position of the thermostat control results in the lowest temperature inside the cabinet.

0 :

Off.

Allow the cabinet to run for a period of 24 hours whenever the temperature setting is changed. This will allow the temperature to stabilise inside the cabinet.



Switching off

Set the thermostat control to the "0" position.

Unplug the power supply plug from the wall socket or, alternatively, remove the fuse.

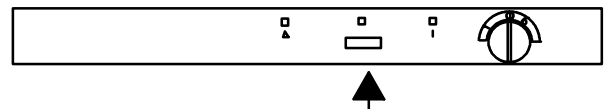
Freezing

You need not press the fast-freezing button when freezing smaller quantities of food during any 24-hour period.

In all other cases, press the fast-freezing button approx. 24 hours prior to placing the food in the freezer.

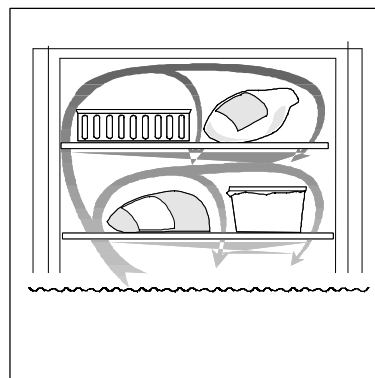
Press the fast-freezing button to switch off fast-freezing again about 24 hours after placing the food in the freezer.

The yellow fast-freezing lamp remains lit as long as the fast-freezing button is engaged.



Practical advice on freezing

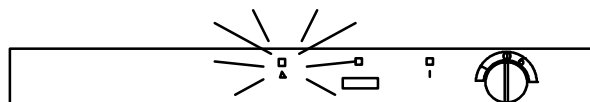
- When freezing products, use the top shelf, and if necessary the shelf beneath that.
- Place the foods directly on the freezer shelves.
- Spread out the products as much as possible to allow air to circulate between them.
- Do not place food products which are to be frozen directly against other frozen food. The heat from the unfrozen food may cause the frozen food to thaw on the surface.
- Once frozen, re-arrange the products and put them as close as possible to each other. The food will then stay cold longer in the event of a power failure.
- Do not freeze too much food at the same time. The freezing capacity of the unit is indicated in the specifications section.



Alarms and other features

Temperature alarm

A red warning lamp lights if it gets warmer than -12°C . Find out what caused the alarm and correct the situation. The lamp goes out when it becomes colder than -13°C .



Suitable storage periods

Food purchased in frozen condition: Follow the advice on the maximum storage period indicated on the packaging.

Food frozen at home:

Fatty and salty food should not be kept frozen for more than three months. Cooked food and low-fat food may be kept up to about six months. Lean food and berries can be kept for approximately one year.

Temperature inside the freezer

To ensure that foodstuff will keep for a long time, be sure that the temperature inside the freezer is -18°C or below. Please note, however, that the energy consumption increases as the temperature decreases.

Thawing

It is best to use a fridge to thaw food. Place the foodstuff on a plate with a raised edge to prevent liquids from running out. To quickly thaw food, put it in room temperature or in cold water. When using a microwave oven to thaw foodstuffs, follow the manufacturer's instructions.

Cabinet interior

Freezer drawers

The freezer drawers make it easy to quickly and easily find the food package you want. To gain space, the drawers can be removed and the products can be put directly on the shelves. On all shelves, except the top shelf, it is possible to place products that protrude 20 mm from the front edge. This allows maximum use of the available space.

Do not remove the bottom drawer. It is required to assure proper air circulation.

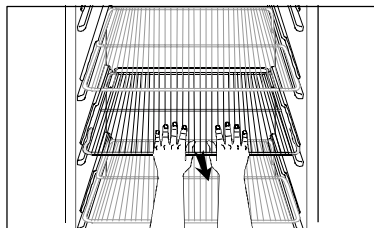
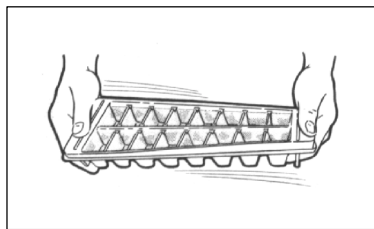
Ice cubes

Fill the ice tray to max. 3/4 since water expands as it freezes. Release the ice cubes by twisting the ice tray.

If ice cubes are kept for a long time, they will dry out and the taste is affected. Thus, throw away old ice cubes and prepare new ones when needed.

Removeable shelf

There is a middle shelf inside the freezer. Remove the shelf when large food products need to be frozen.



Hints and Tips

GB

Energy Saving Advice

- Do not install the cabinet close to sources of heat such as a cooker, dishwasher or radiator.
- Locate the appliance in a cool well ventilated room and make sure that the air openings of the cabinet are not obstructed.
- Always leave warm food to cool down to room temperature before placing in the fridge.
- Try to avoid keeping the door open for long periods, or opening the door too frequently as warm air will enter the cabinet, and cause the compressor to switch on unnecessarily often.
- Ensure there are no obstructions preventing the door from closing properly.
- It is advisable to periodically clean the refrigeration system at the back of the appliance with a duster or vacuum cleaner.
- Avoid unnecessary frosting in the cabinet by packing all foodstuffs into airtight packages before placing them in the freezer.
- Carefully follow the advice on freezing products in the section "Use". This will prevent wasting energy.
- Do not set the temperature too low in the freezer. A suitable temperature is in the range of -18°C to -20°C.
- Defrost the freezer when the frost layer reaches a thickness of 3-5 mm. Regularly check the door seal to ensure that it is clean and free from debris.
- Make sure the door gasket is complete and always clean.

Food Storage

- Avoid buying frozen food if you can not store it straight away. The use of an insulated container is advisable. When you arrive home place the

frozen food in the freezer immediately.

- Ensure that food placed in the freezer is dated and labelled and used in date order to ensure that food is consumed at its best. Remove suspect food from your refrigerator and clean, refer to cleaning and maintenance.
- In the event of a power failure causing the temperature within your freezer to rise, do not refreeze the food without checking its condition. The following guidelines should assist you.

Ice-cream: once thawed should be discarded.

Fruits & Vegetables: if soft should be cooked and used up.

Breads & Cakes: can be re-frozen without danger.

Shellfish: should be refrigerated and used up quickly.

Cooked Dishes: i.e. casseroles should be refrigerated and used up

Large Pieces of Meat: can be re-frozen providing there are still ice crystals remaining within them.

Small Joints: should be cooked and can then be refrozen as cooked dishes.

Chicken: should also be cooked and re-frozen as a cooked dish.

Normal Operating Sounds

- You may hear faint gurgling or bubbling sounds when the refrigerant is pumped through the coils or tubing at the rear, to the cooling plate/evaporator.
- When the compressor is on, the refrigerant is being pumped round, and you will hear a whirring sound or pulsating noise from the compressor.
- A thermostat controls the compressor and you will hear a faint "click" when the thermostat cuts in and out.

Maintenance and Cleaning

GB

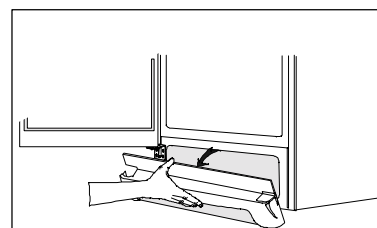


Before any maintenance or cleaning work is carried out DISCONNECT the appliance from the ELECTRICITY supply

Removing the ventilation grille

The ventilation grille can be removed, e.g. to wash the grille.

Make sure the door is open when removing the ventilation grille. Unsnap the upper edge of the grille by pulling outward/downward. Then pull the grille straight out to completely remove it.



Internal Cleaning

Clean the inside and the accessories with warm water and bicarbonate of soda (5 ml to 0,5 litre of water).

Rinse and dry thoroughly.



Do not use detergents, abrasive powders, high perfumed cleaning products, wax polishes or cleaning products containing bleach or alcohol .

Regularly check the door seals and wipe clean to ensure they are clean and free from debris.

External Cleaning

Wash the outer cabinet with warm soapy water. Remove the ventilation grille (see the section "Removing the ventilation grille") and vacuum-clean under the cabinet. Once or twice a year dust the condenser (black grille) and the compressor at the back of the appliance, with a brush or vacuum cleaner, as an accumulation of dust will affect the performance of the appliance and cause excessive electricity consumption.

Defrosting the freezer

A certain amount of frost will always form on the freezer shelves and around the top compartment. Defrost the freezer when the frost layer reaches a thickness of about 3-5 mm.

Remove the freezer drawers and place them on top of each other by turning every other drawer one half turn. Put insulating material around the drawers, e.g. blankets or newspapers.

The frozen products can also be packed closely together and be kept in a cold location, e.g. in the fridge.

Defrosting can be accelerated by placing bowls with hot water (not boiling) inside the freezer.

Take out the drain spout and place it in the bottom freezer drawer where water can collect.

Loosen the ventilation grille to enable the bowl to fit under the drain spout.

Carefully scrape off the ice when it starts to thaw.

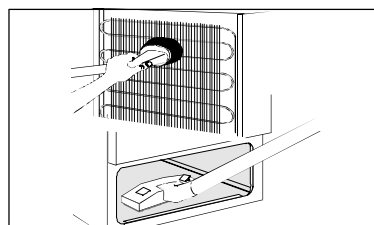
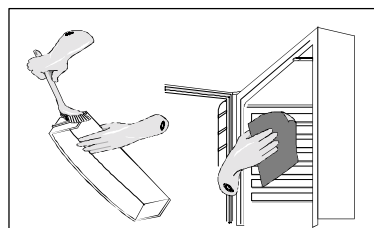
Use a wood or plastic scraper. Do not use sharp objects as these may damage the interior.

When all the ice has melted, clean and wipe the cabinet dry, then push the drain spout back in place.

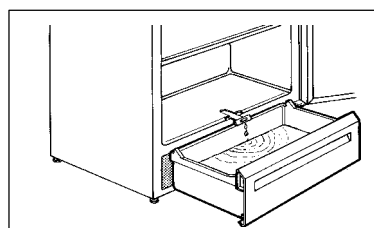
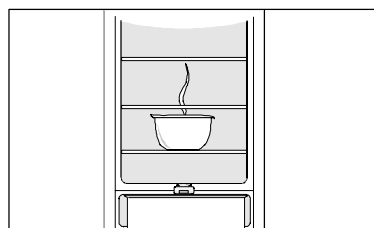
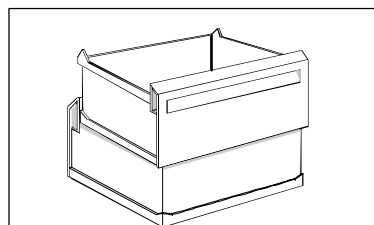
Switch on the cabinet and replace the frozen foodstuff.



When moving the cabinet, lift it by the front edge to avoid scratching the floor.



Never use a hair drier or other heating appliances to speed up defrosting. Excessive heat may damage the plastic interior, and humidity could enter the electric appliance making it live.

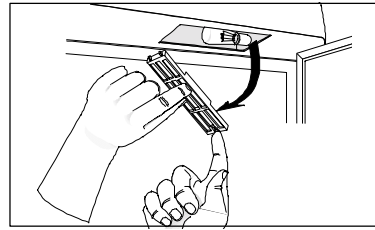


To Change the Light Bulb

The light is switched on automatically when the door is opened. Before replacing the light bulb, disconnect the power plug from the outlet.

To replace the lamp in the chiller compartment (only cabinets with two doors), first unscrew the lamp grille with a screwdriver.

Use a bulb of the same type, E14 socket, maximum rating of 25 W.



When the appliance is not in use

Disconnect the appliance from electricity supply.

Empty all foods and clean the appliance, leaving the doors ajar to prevent unpleasant smells.

Something Not Working

Before contacting your local Service Force Centre check the following points:

Sympton	Solution
The temperature is too high inside the freezer.	Set a lower temperature. Make sure that the door is completely closed and that the insulating strip is complete and clean. If warm food products have been put inside the freezer, wait for a couple of hours and then check the temperature again. Distribute the food products to allow cold air to circulate around them.
The temperature is too low inside the freezer.	Set a higher temperature. Action Freeze could have been switched on.
Too much frost and ice are produced.	Make sure that the door is completely closed and that the insulating strip is complete and clean. Set a higher temperature.
The compressor operates continuously.	Set a higher temperature. Make sure that the door is completely closed and that the insulating strip is complete and clean. The temperature where the cabinet is placed is above normal room temperature.
The cabinet does not operate at all. Cooling or interior light does not operate. No indicator lamps light.	The power plug is not properly connected. The fuse has blown. The cabinet is not switched on. Power does not reach the cabinet. (Try connecting another electrical device to the power outlet.)
Power failure	Do not unnecessarily open the cabinet, except when the power outage seems to be long, in which case the food products should be moved to another cabinet that works. See hte chapter "Hints and Tips".
Noise	See "Normal operating Sounds" in chapter Hints and Tips.
The freezer door will not open	Has door just been opened? If so leave for few minutes to allow the air pressure to equalise.

If after above checks there is still a fault call your local Service Force Center.

In-guarantee customers should ensure that the above checks have been made as the engineer will make a charge if the fault is not a mechanical or electrical breakdown.

Please note that proof of purchase is required for in-guarantee service calls.

Service and Spare Parts



In the event of your appliance requiring service, or if you wish to purchase spare parts please contact your local Zanussi Service Force Centre by telephoning:

08705-929929

Your call be routed the Service Force Centre covering your post code area. The address of your local Service Force Centre is detailed in the accompanying Customer Care Book.

Before calling out an engineer, please ensure you have read the details under the heading "Something Not Working" and have the model number and purchase date to hand.

Please note that it will be necessary to provide proof of purchase for any in-guarantee service calls.

In -guarantee customer should ensure that the checks under the heading "Something Not Working" have been made as the engineer will make a change if the fault is not a mechanical or electrical breakdown.

Customer Care Department



Fore general enquiries concerning your Zanussi appliance or futher information on Zanussi products, you are invited to contact our Customer Care Department by letter or phone as follows:

Customer Care Department
Zanussi
SS-77 High Street
Slovgh
Berkshire
SL1 1DZ

Phone: 08705 727727

Guarantee Conditions



We, undertake that if within 12 months of the date of the purchase this appliance or any part thereof is proved to be defective by reason only of faulty workmanship or materials, we will, at our option repair or replace the same FREE OF CHARGE for labour, materials or carriage on condition that:

- The appliance has been correctly installed and used only on the electrical supply stated on the rating plate.
- The appliance has been used for normal domestic purposes only, and in accordance with the manufacturer's instructions.
- The appliance has not been serviced, maintained repaired, taken a part or tampered with by any person not authorised by us.
- All service work under this guarantee must be undertaken by a ZANUSSI SERVICE CENTRE.
- Any appliance or defective part replaced shall become the company's property.
- This guarantee is in addition to your statuory and other legal rights.

Home visits are made between 8.30am and 5.30pm Monday to Friday. Visits may be available outside these hours in which case a premium will be charged.

Exclusions

This guarantee does not cover:

- Damage or calls resulting from transportation, improper use or neglect, the replacement of any light bulbs or removable parts of glass or plastic.
- Costs incurred for calls to put right an appliance which is improperly installed or calls to appliances outside

the United Kingdom.

- Appliances found to be in use within a commercial environment plus those those which are subject to rental agreements.
- Products of Zanussi manufacture which are not marked by Zanussi.

European Guarantee

If you should move to another country within Europe then your guarantee moves with you to your new home subject to the following qualifications:

- The guarantee starts from the date you first purchased your product.
- The guarantee is for the same period and the same extent for labour and parts as exists in the new country of use for this brand or range of products.
- This guarantee relates to you and cannot be transferred to another user
- Your new home is within the European Community (EC) or European Free Trade Area.
- The product is installed and used in accordance with our instructions and is only used domestically, i.e. a normal household.
- The product is installed and taking into account regulations in your new country.

Before you move please contact your nearest Customer Care Centre, listed below, to give them details of your new home. They will then ensure that the local Service Organisation is aware of your move and able to look after you and your appliances.

France	Senlis	+33 (0)3 44 62 22 22
Germany	Nürnberg	+49 (0)911 323 26 00
Italy	Prodenone	+39 (0)1678 47053
Sweden	Stockholm	+46 (0) 20 78 77 55
UK	Slovgn	+44(0) 1753 21 98 97

Technical specification



model	ZV11R
net volume	293 l
width	595 mm
height	1800 mm
depth	600 mm
energy consumption	496kWh/year
energy class	D
rated power	120 W
weight	68 kg
freezing capacity	28 kg/24 hours
number of compressors	1

Unpacking

Unpack the cabinet and check that it is in good condition and free of any transport damage. Notify the dealer immediately of any damage. Hand the packaging over for recycling.



Do not allow children to play with the packaging. The plastic film can cause suffocation.

Cleaning

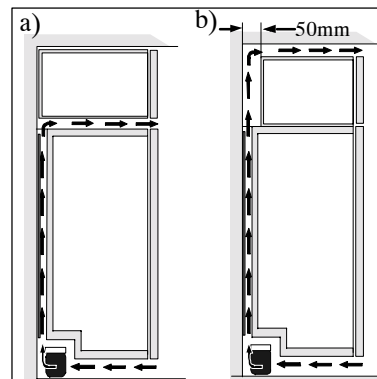
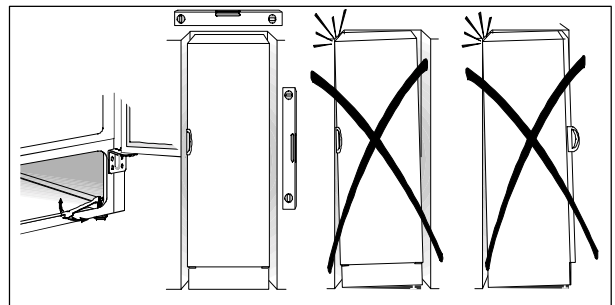
Wash the inside of the cabinet using lukewarm water, a mild washing-up detergent and a soft cloth.

Installing the cabinet

To obtain the best performance from the cabinet, ensure :

- the cabinet is placed in a dry, cool place and is not exposed to direct sunlight.
- the cabinet is not placed close to a source of heat, e.g. a cooker or dishwasher.
- the room in which the cabinet is placed has a temperature of +10°C to +32°C.
- the cabinet is level. The cabinet should not lean against any wall. If necessary adjust the feet using the supplied adjustment spanner.
- there is good air circulation around the cabinet and that the air channels below and behind the cabinet are not blocked. The ventilation space above the cabinet and any grocery/top cabinet must be at least 200 cm². The ventilation space can either be
 - a) directly above the cabinet, or
 - b) behind and above the top cabinet. In this case, the space behind the cabinet must be at least 50 mm deep.

If the cabinet is placed in a corner and the side with the hinges faces the wall, the distance between the wall and the cabinet must be at least 10 mm to allow the door to open enough so that the shelves can be removed.



Electrical connection



Any electrical work required to install this appliance should be carried out by a qualified electrician or competent person. This appliance must be earthed.

The manufacturer declines any liability should these safety measures not be observed.


Electrical Requirements

Before switching on, make sure the electricity supply voltage is the same as that indicated on the appliance rating plate.

The appliance is supplied with a 13amp plug fitted. In the event of having to change the fuse in the plug supplied, a 13amp ASTA approved (BS1362) fuse must be used.

Should the plug need to be replaced for any reason. The wires in the mains lead are coloured in accordance with the following code:

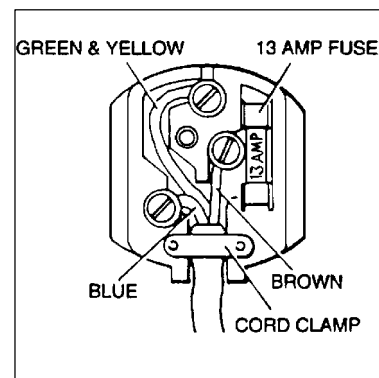
Green and yellow	-Earth
Blue	-Neutral
Brown	-Live

The wire coloured green and yellow must be connected to the terminal marked with the letter "E" or by the earth symbol  or coloured green and yellow.

The wire coloured blue must be connected to the terminal marked "N" or coloured black

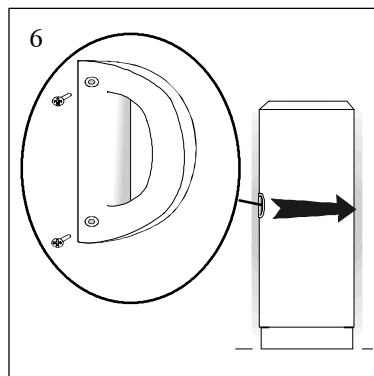
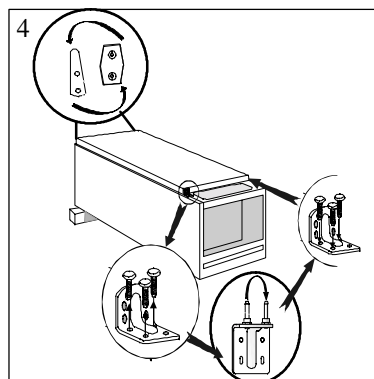
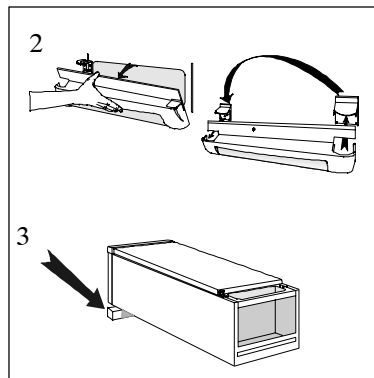
The wire coloured brown must be connected to the terminal marked "L" or coloured red.

Upon completion there must be no cut, or stray strands of wire present and the cord clamp must be secure over the outer sheath.



Door Reversal

1. Close the cabinet and pull out the plug from the electrical outlet.
2. Remove the ventilation grille. There is a part on the grille that can be removed. Remove it and transfer to the opposite side.
3. Support the cabinet on a wooden block when it is laid down. It will be easier to grip under the cabinet when resupporting to an upright position.
4. On the upper part of the cabinet. Put the hinge pin on the other side.
5. On the lower part of the cabinet. Unscrew the hinge. Move the hinge pin and plastic cover. Secure the hinge on the other side. Raise the cabinet and replace the ventilation grille.
6. Unscrew the handle. Carefully press in the plastic plugs on the opposite side using a punch. Secure the handle in the plug holes. Then press the supplied plastic plugs into the holes to which the handle was previously fitted.
7. Put the cabinet in position. Check that it stands straight. See the section "Positioning the cabinet".



CE

Free Manuals Download Website

<http://myh66.com>

<http://usermanuals.us>

<http://www.somanuals.com>

<http://www.4manuals.cc>

<http://www.manual-lib.com>

<http://www.404manual.com>

<http://www.luxmanual.com>

<http://aubethermostatmanual.com>

Golf course search by state

<http://golfingnear.com>

Email search by domain

<http://emailbydomain.com>

Auto manuals search

<http://auto.somanuals.com>

TV manuals search

<http://tv.somanuals.com>