

## RANGE COMPOSITION

N 700: a range of over 100 models for the professional caterer designed to guarantee the highest level of performance, reliability, energy saving, safety standards and ergonomic operation. These concepts are reflected in the total modularity of the range that ensures numerous configurations, either free-standing or bridged. N 700 demonstrates how advanced technology can satisfy the needs of the professional caterer. The model detailed on this sheet is a 34 litres gas fryer.



178116

# N 700

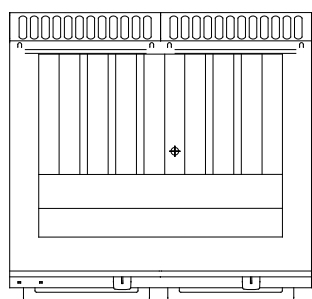
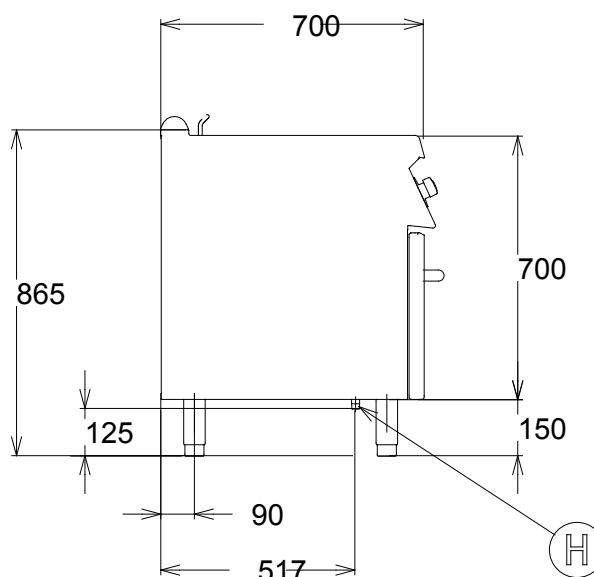
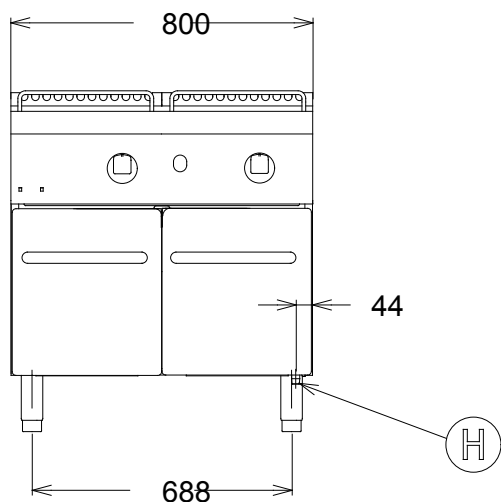
## GAS FRYERS - 34 LT ZANUSSI PROFESSIONAL

## FUNCTIONAL AND CONSTRUCTION FEATURES

- ◆ Stainless steel burners with optimized combustion, flame failure device and protected pilot light.
- ◆ Working temperature from 105°C to 185°C.
- ◆ Gas tubes in the well.
- ◆ Model has right-angled side edges to allow flush-fitting joins between units, eliminating gaps and possible dirt traps.
- ◆ Additional overheat safety thermostat.
- ◆ Worktop in 1,5mm stainless steel. Front panel in stainless steel with Scotch Brite finish.
- ◆ Oil drainage via a tap into a drainage container positioned under the well thus simplifying the consumed oil management and guaranteeing the operator safety.
- ◆ Feet in stainless steel adjustable in height 50mm.
- ◆ Doors with handles in stainless steel.

- ◆ IPX4 water protection.
- ◆ Main connections can be via the rear or the base of the unit.
- ◆ Appliances are supplied for use with natural gas or LPG. Conversion jets supplied as standard.

TECHNICAL DATA	
CHARACTERISTICS	MODELS
	KFRG840 178116
Power supply	Gas
External dimensions - mm	
width	800
depth	700
height	850
height adjustment	50
N° of wells	1
Usable well dimensions - mm	
width	648
depth	320
height	380
Temperature limiter	●
Thermostat range (min-max) - °C	105, 185
Maximum Well Capacity -lt	29, 34
Power - kW	
gas	27.5
Net weight - kg.	85
INCLUDED ACCESSORIES	
BASKET FOR 34-36 LT FREESTANDING FRYERS	2
LEFT SIDE DOOR FOR OPEN BASE CUPBOARD	1
RIGHT SIDE DOOR FOR OPEN BASE CUPBOARD	1



597830300

## LEGEND

H - Gas connection

KFRG840  
178116

1/2"

## OPTIONAL ACCESSORIES

## ACCESSORIES

## MODELS

KFRG840

178116

2 SIDE COVERING PANELS FOR TOP-D=700MM	206277
2 SIDE COVERING PANELS H=700 D=700	206000
2 SIDE KICKING STRIPS-CONCRETE INSTALL.	206265
4 FEET FOR CONCRETE INSTALLATION	206210
BASKET FOR 34-36 LT FREESTANDING FRYERS	921609
BASKET FOR 34-36 LT FRYERS	921642
CHIMNEY COVER 800MM OPEN-LARGE CHIMNEY	206273
CHIMNEY UPSTAND 800MM	206304
DRAUGHT DIVERTER WITH 120 MM DIAMETER	206126
FILTER FOR FRYER OIL COLLECTION BASIN	921693
FLANGED FEET KIT	206136
FLUE CONDENSER	206246
FRONT.KICK.STRIP F.CONCRETE INST.1000 MM	206150
FRONT.KICK.STRIP F.CONCRETE INST.1200 MM	206151
FRONT.KICK.STRIP F.CONCRETE INST.1600 MM	206152
FRONT.KICK.STRIP F.CONCRETE INST.200 MM	206146
FRONT.KICK.STRIP F.CONCRETE INST.400 MM	206147
FRONT.KICK.STRIP F.CONCRETE INST.800 MM	206148
FRONTAL HANDRAIL 1200 MM	206191
FRONTAL HANDRAIL 1600 MM	206192
FRONTAL HANDRAIL 400 MM	206166
FRONTAL HANDRAIL 800 MM	206167
FRONTAL KICKING STRIP 1000 MM	206177
FRONTAL KICKING STRIP 1200 MM	206178
FRONTAL KICKING STRIP 1600 MM	206179
FRONTAL KICKING STRIP 200 MM	206174
FRONTAL KICKING STRIP 400 MM	206175
FRONTAL KICKING STRIP 800 MM	206176
LARGE HANDRAIL(PORTIONING SHELF)400 MM	206185
LARGE HANDRAIL(PORTIONING SHELF)800 MM	206186
PAIR OF SIDE KICKING STRIPS	206249
PRESSURE REGULATOR FOR GAS UNITS	927225
RIGHT AND LEFT SIDE HANDRAILS	206240



ISO 14001



www.zanussiprofessional.com

## Free Manuals Download Website

<http://myh66.com>

<http://usermanuals.us>

<http://www.somanuals.com>

<http://www.4manuals.cc>

<http://www.manual-lib.com>

<http://www.404manual.com>

<http://www.luxmanual.com>

<http://aubethermostatmanual.com>

Golf course search by state

<http://golfingnear.com>

Email search by domain

<http://emailbydomain.com>

Auto manuals search

<http://auto.somanuals.com>

TV manuals search

<http://tv.somanuals.com>