

RANGE COMPOSITION

Zanussi Professional offers a range of ice-making machines specially designed to produce ice cubes. All the models, whilst having a compact size, offer excellent performance and maximum efficiency. The range has been specifically designed for use in bars, restaurants, hotels and discos and can also be used in medical facilities.



730544

730557

33/42/46 KG

ICE CUBERS

ZANUSSI PROFESSIONAL

FUNCTIONAL AND CONSTRUCTION FEATURES

- ◆ All models are available in air-cooled or water-cooled versions*.
- ◆ The ice-making method (spray layering) guarantees compact, hygienically pure ice cubes that are resistant to melting.

- ◆ R404a refrigerant.
- ◆ Reliability is guaranteed by the quality of the construction materials used (plastic flap on the front, top and sides in ABS) and the sophisticated product and process technology involved.

* Water consumption and productivity have been calculated using a water temperature of 15°C and an ambient temperature of 21°C.

CHARACTERISTICS	MODELS											
	CIM38A 730543	CIM38W 730544	FGC42A 730525	FGC42W 730526	CIM50A 730557	CIM50W 730558	CIM38A3 730563	CIM38W3 730564	CIM50A3 730565	CIM50W3 730566	FGC33AS42 730160	FGC46AS42 730161
Output - kg/day	33	33	42	42	46	46	33	33	46	46	33	46
Bin capacity - Kg	16	16	16	16	25	25	16	16	25	25	16	25
Kind of cube	A - 18g	A - 18g	A - 18g	A - 18g	A - 18g	A - 18g	C - 33g	C - 33g	C - 33g	C - 33g		E - 42g
External dimensions - mm												
width	500	500	500	500	500	500	500	500	500	500	500	500
depth	580	580	580	580	580	580	580	580	580	580	580	580
height	800	800	690	690	910	910	690	800	800	910	690	800
Refrigerant type	R404a	R404a	R404a	R404a	R404a	R404a	R404a	R404a	R404a	R404a	R404a;	R404a;
Power - kW												
installed-electric	0.37	0.37	0.45	0.45	0.5	0.5	0.37	0.37	0.5	0.5	0.37	0.5
Noise level - dBA	55.6	55.6	54.2	54.2	54.2	54.2	55.6	55.6	54.2	54.2	55.6	54.2
Net weight - kg.	48	48	52	52	56	56	48	48	56	56	48	56
Power supply - V, phases, Hz	220/240 V, 1N, 50	220/240 V, 1N, 50	220/240 V, 1N, 50	220/240 V, 1N, 50	220/240 V, 1N, 50	220/240 V, 1N, 50	220-240 V, 1N, 50	220/240 V, 1N, 50	220-240 V, 1N, 50	220/240 V, 1N, 50	220/240 V, 1N, 50	220/240 V, 1N, 50

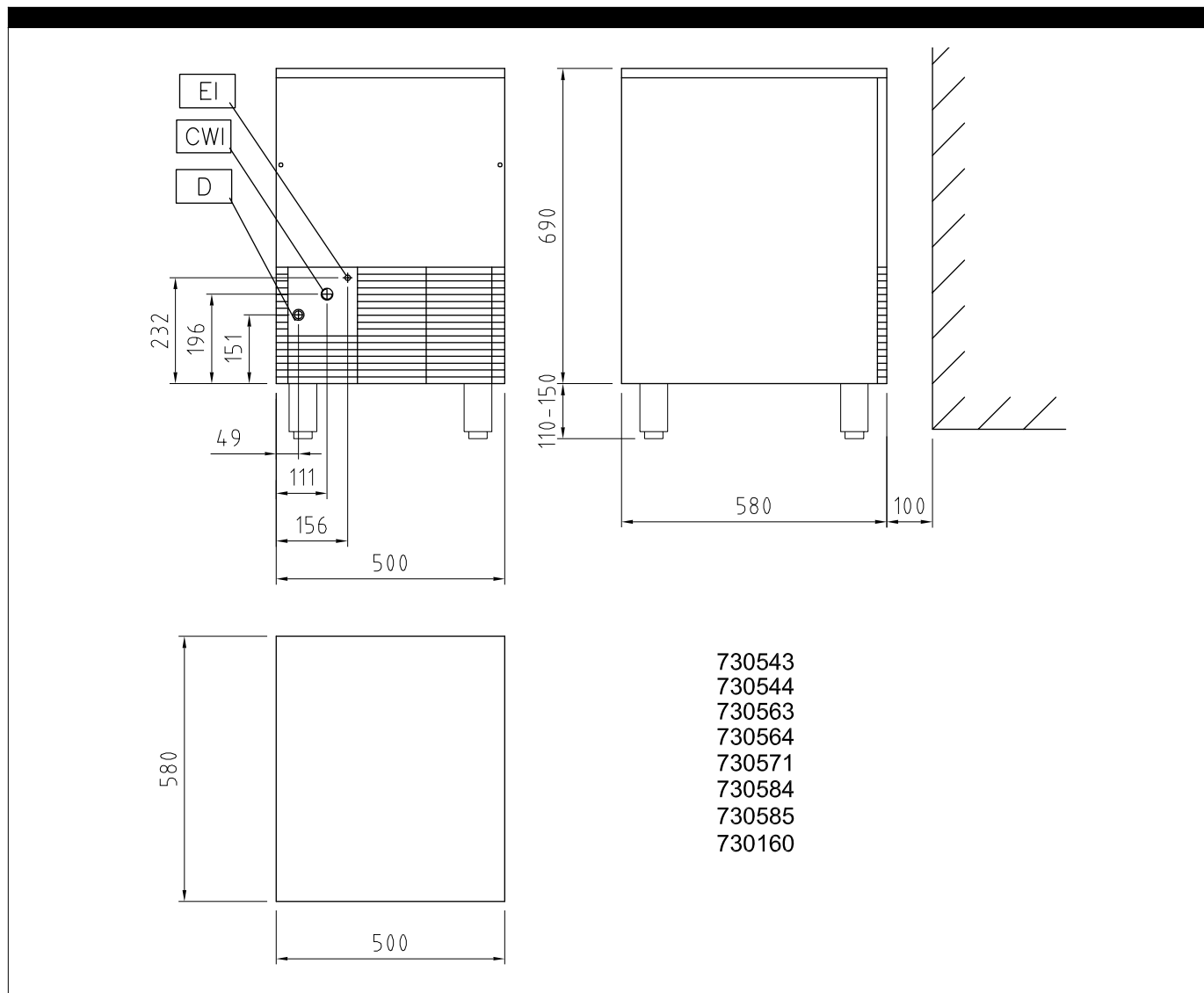
◆ The compact dimensions of the ice cubers make them highly suitable for any location, particularly those where space is at a premium.

◆ The metal sprayers are easy to take away, permit a simple flowing and prevent limestone formation.

◆ All models comply with the standards required by the main international approval bodies and are H marked.



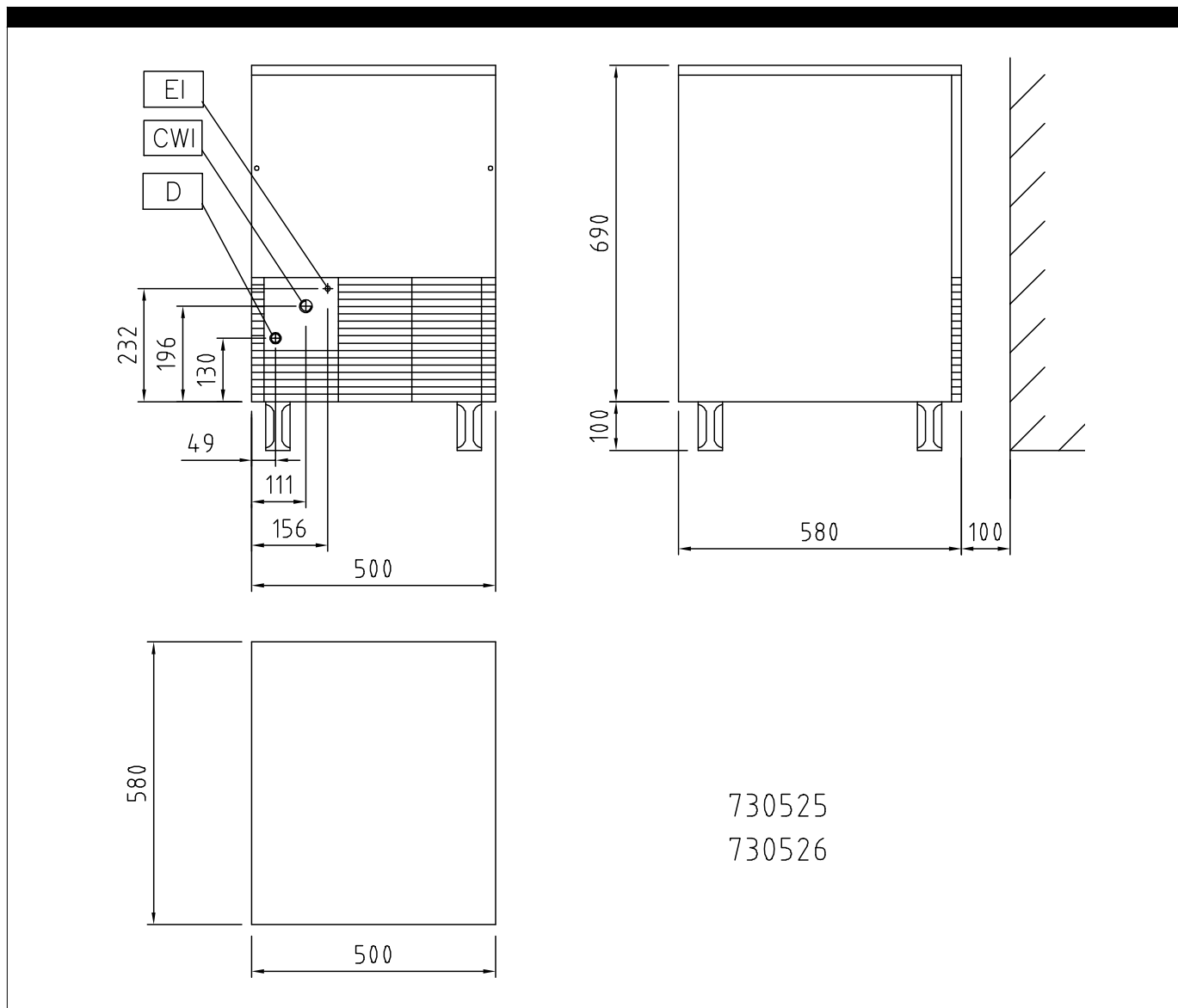
www.zanussiprofessional.com



	CIM38A 730543	CIM38W 730544	CIM38A3 730563	CIM38W3 730564	FGC33AS42 730160
CWI - Cold water inlet	3/4"	3/4"	3/4"	3/4"	3/4"
D - Water drain	24mm	24mm	24 mm	24 mm	24 mm
EI - Electrical connection	220/240 V, 1N, 50	220/240 V, 1N, 50	220-240 V, 1N, 50	220/240 V, 1N, 50	220/240 V, 1N, 50



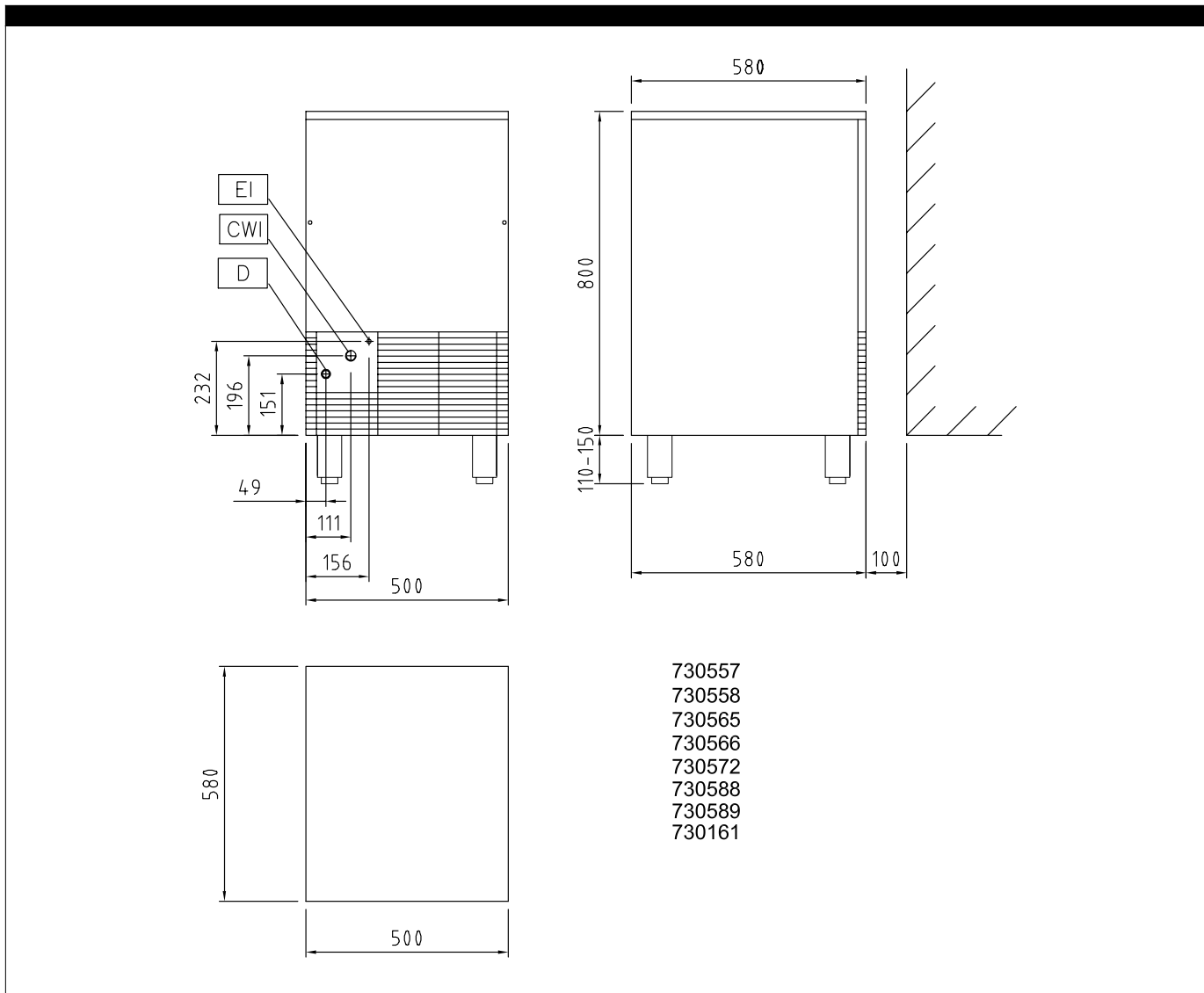
www.zanussiprofessional.com



	FGC42A 730525	FGC42W 730526
EI - Electrical connection	220/240 V, 1N, 50	220/240 V, 1N, 50



www.zanussiprofessional.com



	CIM50A 730557	CIM50W 730558	CIM50A3 730565	CIM50W3 730566	FGC46AS42 730161
CWI - Cold water inlet	3/4"	3/4"	3/4"	3/4"	3/4"
D - Water drain	24mm	24mm	24 mm	24mm	24 mm
EI - Electrical connection	220/240 V, 1N, 50	220/240 V, 1N, 50	220-240 V, 1N, 50	220/240 V, 1N, 50	220/240 V, 1N, 50



www.zanussiprofessional.com

Free Manuals Download Website

<http://myh66.com>

<http://usermanuals.us>

<http://www.somanuals.com>

<http://www.4manuals.cc>

<http://www.manual-lib.com>

<http://www.404manual.com>

<http://www.luxmanual.com>

<http://aubethermostatmanual.com>

Golf course search by state

<http://golfingnear.com>

Email search by domain

<http://emailbydomain.com>

Auto manuals search

<http://auto.somanuals.com>

TV manuals search

<http://tv.somanuals.com>