

ZANUSSI

MICROWAVE OVEN

ZM17ML

Contents

Before using your microwave oven	4
Safety instructions	4
– Utensil safety	4
– Testing suitability of cookware	5
– Food safety	5
– Oven utensils and accessories guide	6
Technical data	6
Getting Started	7
– Unpacking	7
Installation	7
– Connecting to the mains	7
– Electrical connections	7
How to operate your microwave oven	8
– Name and function of parts	8
– Turntable Installation	8
– Control panel	9
– Microwave Cooking	10
– Microwave Power Setting Guide	10
– Defrosting instructions using \otimes (230W)	11
– Microwave Hints	12
– Care and cleaning	13
– Cleaning the accessories (turntable and support)	13
– Cleaning the interior	13
– Cleaning the exterior	13
Guarantee conditions	14

Congratulations on the purchase of your new Microwave Oven

Thank you for having chosen a Zanussi product. We are convinced that you will find your new microwave oven very useful and that it will be of great help to you. As with all new kitchen appliances, it will take some time to learn all the new functions and features, but with time, this oven will become indispensable to you.

Before using your Microwave Oven

Read through the instruction manual carefully and ensure that you follow the recommendations given, these instructions have been prepared so that you get the best from your new Zanussi Microwave Oven. It is important that this instruction book is retained with the appliance for future reference. Should the appliance be sold or transferred to another owner, or if you move house and leave the appliance, always ensure that the book is supplied with the appliance so that the new owner can be acquainted with the functioning of the appliance and the relevant warnings.

Safety Instructions

- The built-in safety interlock switches prevent the microwave oven from operating when the door is open.
- Do not tamper with them, or attempt to operate the oven with the door open as open door operation can result in exposure to microwave energy.
- Do not allow food spills or cleaner residue to accumulate on door sealing surfaces. See the Cleaning and Care section for cleaning instructions.
- Do not operate the oven if it is damaged until it has been repaired by qualified service personnel.
- It is particularly important that the oven door closes properly and that there is no damage to the: (1) door (warped), (2) hinges and latches (broken or insecure), (3) door seals and sealing surface.
- Under no circumstances should you attempt to repair the appliance yourself. Repairs carried out by inexperienced persons may cause injury or serious malfunctioning. Contact your local Service Force Centre.
- Do not remove the outer case, door or control panel at any time. Doing so may cause exposure to extremely high voltage.
- Install or locate this oven only in accordance with **“INSTALLATION INSTRUCTIONS”** found in this manual.
- Use the appliance for its intended use as described in this manual. Do not use corrosive chemicals in this appliance. This type of oven is specifically designed to heat, cook, or defrost food. It is not designed for industrial or laboratory use neither for commercial use as this will invalidate the guarantee.
- Do not operate the oven empty. If food or water is not present to absorb the microwave energy, the magnetron tube can be damaged.
- The appliance is not intended for use by young children or infirm persons without supervision; Young children should be supervised to ensure that they do not play with the appliance
- Do not store this appliance outdoors. Do not use this product near water.
- Do not attempt to dry clothing or newspapers in the microwave oven. These items can ignite.
- Do not use the cavity for storage purposes. Do not leave paper products, cooking utensils, or food in the cavity when not in use.

Utensil safety

Most glass, glass ceramic and heat-resistant glassware utensils are excellent for use in the microwave oven. Although microwave energy will not heat most glass and ceramic items, these utensils can become hot as heat transfers from the food to the container. The use of oven gloves to remove dishes is recommended.

Testing suitability of cookware

- Place the cookware in the cavity along with a glass half full of water. Heat on 700 W (100%) for one minute. If the cookware feels hot, you should not use it. If it is just slightly warm, you can use it for reheating but not for cooking. If the dish is room temperature, it is suitable for microwave cooking.
- Paper napkins, wax paper, paper towels, plates, cups, cartons, freezer wrap and cardboard are great convenience utensils. Always be sure containers are filled with food to absorb energy and thus avoid the possibility of overheating.
- Many plastic dishes, cups, freezer containers and plastic wraps may be used in the microwave oven. Follow manufacturer's instructions when using plastics in the oven. Avoid using plastic utensils with foods that have high fat or sugar content since these foods reach high temperatures and could melt some plastics.
- Do not leave oven unattended, and look at it from time to time when heating or cooking food in plastic, paper or other combustible containers. If smoke is observed, keep door closed, switch the oven off or disconnect oven until smoke stops.
- Metal utensils and utensils with metallic trim should not be used in the microwave oven, unless specifically recommended for microwave use.
- Containers with restricted openings, such as bottles, should not be used for microwave cooking.
- Use caution when removing a lid or cover from a dish to avoid steam burns.

Food safety

- Do not heat food in a can in the microwave oven. Always remove the food to a suitable container.
- Deep fat frying should not be done in the microwave oven, because the fat temperature cannot be controlled, hazardous situations can result.
- Popcorn may be prepared in the microwave oven, but only in special packages or utensils designed specifically for this purpose. This cooking operation should never be un-attended.
- Pierce foods with non-porous skins or membranes to prevent steam build-up and bursting. Apples, potatoes, chicken livers, and egg yolks are examples of items that should be pierced.

WARNING: When heating liquids, e.g. soups, sauces and beverages in your microwave oven, overheating the liquid beyond boiling point can occur without evidence of bubbling. This could result in a sudden boil over of the hot liquid. To prevent this possibility the following steps should be taken:

1. Avoid using straight-sided containers with narrow necks.
 2. Do not overheat.
 3. Stir the liquid before placing the container in the oven and again halfway through the heating time.
 4. After heating, allow to stand in the oven for a short time, stirring again before carefully removing the container.
- Some products such as whole eggs and sealed containers – for example, closed glass jars – may explode and should not be heated in this oven. Occasionally, poached eggs may explode during cooking. Always pierce the yolk, then cover and allow the standing time of one minute before removing cover.

NOTE:

- Do not force the turntable to rotate by hand. This may cause malfunctioning.
- Arcing in the oven during microwave operation usually occurs from use of metallic utensils. Continuous arcing, however, can damage the unit. Stop the programme and check the utensil.
- Care should be taken not to obstruct any air vents located on the top, rear, side and bottom of the oven.

Do not use this oven for commercial purposes.

This oven is made for domestic use only.

Keep these instructions

Oven utensils and accessories guide

A variety of Utensils and Materials may be used for cooking in your microwave oven. For your safety and to prevent damaging utensils and your oven choose, appropriate utensils and materials for each cooking method.

The list below is a general guide.

Material	Utensils	Microwave Cooking
Ceramic & Glass	Corning ware	YES
	Heat resistant glass ware	YES
	Glass ware with metal decoration	NO
	Lead crystal glass	NO
China	Without metal decoration	YES
Pottery		YES
Plastic	Microwave oven heat-proof wear	YES
	Plastic wrap	YES
Metal	Metal baking pan	NO
	Aluminium foil*	YES
Paper	Cups, plates, towels	YES
Waxed Paper		YES
Wood		NO
Accessories	Turntable	YES
	Turntable support	YES

YES: Utensils and accessories to use

NO: Utensils and accessories to avoid

***NOTE: Use aluminium foil only for shielding purposes, overuse may cause arcing.**

Technical data

Overall dimension	Weight 14 kg
Width 459 mm	Volume 17 Litre
Depth 368 mm	
Height 296 mm	Power source 230V, 50 Hz
Cavity dimension	Fuse 10 A
Width 282 mm	Power consumption 1200W
Depth 282 mm	
Height 206 mm	Power output 700W

GETTING STARTED

Unpacking

N.B. When you unpack the oven, check that the product is free from damage. Damage or any missing parts must be reported immediately to the retailer. The oven, parts of the oven or the accessories may be wrapped by a protection foil. If so, you must remove this foil before using the oven. Do not leave packing material so that small children can play with it. This can be hazardous.

Installation

1. Remove any promotion label from the door.
2. Install the oven on a flat, level surface. The surface must be strong enough to safely bear the weight (14kg) of the oven, and the contents. To avoid the possibility of causing vibration or noise the oven must be in a stable position.
3. Keep the oven away from heat and water. Exposure to heat and water can lower oven efficiency and lead to malfunctioning, so be sure to install the oven away from heat and water sources.
4. Do not block air vents on the top and the sides of the cabinet and also do not place any articles on the top of the oven. If air vents are blocked during operation, the oven may overheat, and this may lead to malfunctioning. Hot air escapes from the vents, so be sure not to obstruct it or let curtains come between the oven and the rear wall.
5. Place the oven as far away from radios and TV's as possible. This oven does conform to EEC requirements* of radio interference suppression, but some interference may occur if it is placed too close to a radio or TV, so keep them as far apart as possible.
6. If positioned in a corner, leave a gap of at least 10 cm from the walls to meet ventilation demands.

Important! The oven can be placed almost anywhere in the kitchen. Make sure the oven is placed on a flat, level surface and that vents as well as the surface underneath the oven are not blocked (for sufficient ventilation).

* This appliance conforms to the requirements of EEC Radio Interference Directive 87/308/EEC.

Connecting to the mains

The oven is delivered with the power cord and a plug for 230V, 50Hz, earthed socket outlet. Earth protection minimises the risks should a short-circuit occur. Check to ensure the voltage of the oven matches the supply.

N.B. If the oven is connected to the socket via an extension cord, make sure the cord is earthed.

WARNING! This appliance must not be used on a non-earth protected power supply.

Contact an electrician if you are uncertain regarding electrical connection of the oven or provision of earth protection of the supply.

This appliance must be earthed. If this appliance is fitted with a non-rewireable plug for which your socket is unsuitable, the plug should be cut off and the appropriate plug fitted. If it is necessary to change the fuse in a non-rewireable plug, the fuse cover must be refitted. If the fuse cover is lost or damaged, the plug must not be used until a replacement is obtained.

Electrical connections

This appliance come fitted with a standard 2 pin moulded euro plug

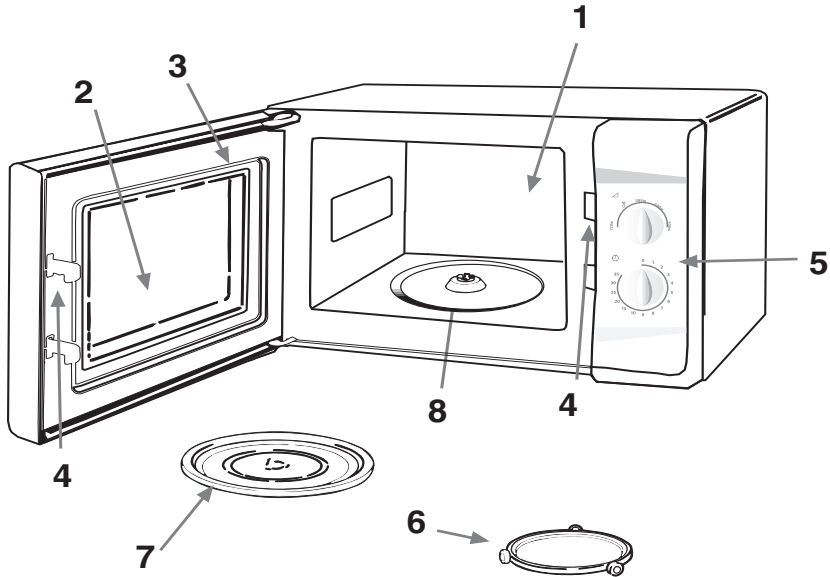
WARNING! THIS APPLIANCE MUST BE EARTHED.

The manufacturer declines any liability should this safety measure not be observed.

- If the plug that is fitted to your appliance is not suitable for your socket outlet, it must be cut off and the appropriate plug fitted.

Remove the fuse from the cut off plug. The cut off plug should then be disposed of to prevent the hazard of shocks in case it should be plugged into a 13 Amp socket in another part of your home.

How to operate your microwave oven



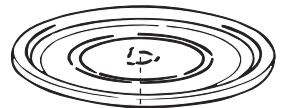
Name and function of parts

1. Cooking compartment. Wipe the compartment clean after using the oven.
2. Viewing window. Food can be checked while the microwave oven is in operation.
3. Oven door. The door must always be firmly closed while cooking.
4. Latch hook and safety interlock system.
5. Control panel.
6. Turntable support. Place the support on the floor of the cooking chamber to support the turntable.
7. Turntable. Made of special heat-resistant glass. Food in a suitable container is placed on this tray for cooking. Do not use the oven without the turntable.
8. Drive shaft for turntable

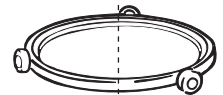
Turntable Installation

1. Place the turntable support on the cavity Bottom.
2. Place the turntable on top of the turntable support as shown in the diagram. Make sure that turntable hub is securely locked in the turntable shaft. **Never place the turntable upside down.**
 - Both turntable and turntable support must always be used during cooking.
 - All food and containers of food are always placed on this turntable for cooking.
 - This turntable rotates clockwise and anticlockwise; this is normal.

Turntable



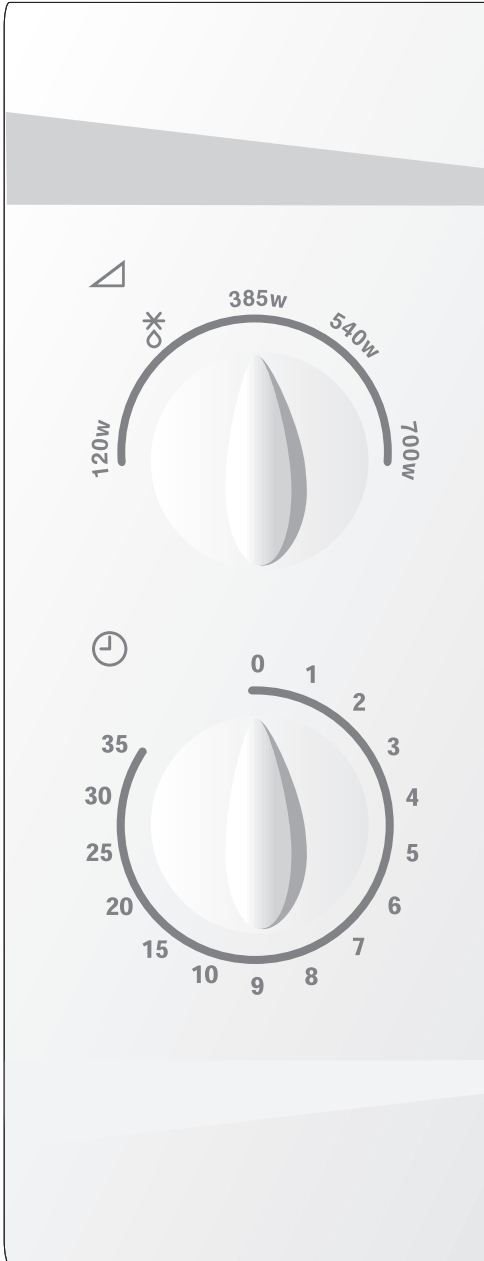
Roller rest



Turntable Shaft



CONTROL PANEL



1. Power Selector

Adjust this knob to select the correct power level for your food.

2. Timer

Set for desired cooking time. Cooking will start. All clockwork timers will operate more accurately if wound past the desired time first, and then back.

MICROWAVE COOKING

1. Open the door, place the food on the turntable.
Close the door.
2. Set the Power Selector to the desired power level.(See table below.)
3. Set the Timer to the desired time.

The oven begins cooking.

When cooking for less than 2 minutes, turn the timer for a longer period and than return to the desired time.

To turn off the oven during cooking, simply turn the Timer to 0.

Note: After use, be sure to return the Timer to 0, or the oven will continue to operate.

Example: To cook at 385W for 15 minutes


1. Turn the power selector to 385W.
 2. Turn the timer to 15
 3. The Oven will automatically start cooking for 15 minutes at 385W
-

Microwave Power setting Guide

Power Setting	Suggested use
120W	Keeping warm; Keeping foods warm
☼ (230W)	Defrost; Thawing frozen foods.
350W	Medium; Faster defrosting and reheating for casseroles and stews.
540W	Reheat; Reheating pre-cooked foods. Roasting joints of meat and poultry.
700W	Boiling or reheating liquids. Cooking vegetables. Preheating a browning dish.

Recommendations for Defrosting using (230W)

Some foods such as bread and fruit, can successfully be thawed manually by using the power setting.

FOOD	PREPARATION		STANDING TIME
Bread			
Small loaf	Place on microwave-proof rack or kitchen paper. Turn over halfway through defrosting time.	8–10 min.	10–15 min.
Sliced large loaf	Place on microwave-proof rack or kitchen paper. Turn over halfway through defrosting time.	10–13 min.	10 min
2 slices	Place on kitchen paper.	45–60 sec.	5 min.
1 bread roll	Place on kitchen paper.	45–60 sec.	5 min.
2 bread rolls	Place on kitchen paper.	1–1 1/2 min.	5 min.
Cakes and Pastry			
Gateau 450g/1 lb	Remove from packaging, place on plate.	9–11 min.	15–30 min.
Cheesecake 450g/1 lb	Remove from packaging, place on plate.	9–11 min.	15–30 min.
Pie (cooked) 450g/1 lb	Remove from packaging, place on plate.	7–9 min.	15–30 min.
Pastry 450g/1 lb	Remove from packaging, place on plate.	7–9 min.	15–30 min.
Butter			
250g/8.8 oz (1 packet)	If foil wrapped, remove from wrapper and place on a plate	3–4 min.	5–10 min.
Fruit			
225g/8 oz Soft berry fruits	Place in a single layer in a shallow dish.	5–6 min.	5–10 min.
450g/1 lb Soft berry fruits	Place in a single layer in a shallow dish.	7–8 min.	5–10 min.
Plated meal			
400g/14 oz	Cover with a plate or non P.V.C. cling film. To reheat, microwave on 100% (700W) for 3–4 minutes.	7–8 min	5–10 min.
Vegetables			
	It is not necessary to defrost vegetables before cooking. All vegetables can be thawed and cooked on 100% (700W)		

Microwave Hints

- Always keep the oven clean – avoid spill-overs and do not forget to clean under the glass tray and the inside of the door.
- Preferably use round or oval casseroles with a lid when cooking in your microwave oven.
- Do not use metal or metal decorated casseroles. Certain plastic materials can melt and be warped by hot food.
- Cover the food when cooking. Use a glass lid, a plate or grease proof paper.
- Pastry, bread and the like can be defrosted directly in a bread basket or on a paper towel.
- If frozen food is heated in its packaging, the packaging should be opened. Packaging containing metal or metal decoration must not be used unless specifically recommended for use in the microwave. Remove metal clips and wire ties.
- Smaller pieces of aluminium foil can be used to cover parts that easily over cook such as chicken legs.
- Food with peel or skin should be pierced with a fork – e.g. potatoes and sausages. Do not boil eggs in the microwave oven as they can explode.
- Put large, thick pieces close to the edge of the casserole and try to cut the food in to even sized pieces. Always place the food in the centre of the oven.
- The food will be evenly cooked if you stir or turn it a few times.
- Always set a shorter cooking time than indicated in your recipe to avoid over cooking. The larger the amount of food the longer it takes.
- Use little or no water for vegetables.
- Use less salt and spices than for 'normal' cooking.
- Season afterwards.
- Allow a few minutes 'standing' time after the oven has switched off to ensure complete and even cooking results.
- Always ensure food is piping hot throughout before serving.
- Use pot holders or gloves when taking dishes and food from the oven.

Microwave Tips

- **Softening Honey**
If you have a jar of honey which has crystallised, remove lid and place the jar in the oven, microwave on medium power for 2 minutes.
- **Melting Chocolate**
Break 100g of chocolate into squares, place in a bowl and heat on high power for 1-2 minutes and stir well.
- **Softening or Melting Butter**
Melting takes a few seconds on high power. Softening is best done more gently on low power.
- **Freshen or Warm Bread**
Use medium power for few seconds.
- **Peeling Garlic easily**
Heat 3 or 4 cloves of garlic on high power for 15 seconds. Squeeze at one end until the clove pops out.
- **Fruit Juice**
Citrus fruits will yield more juice if they are heated on high power for 15 seconds before squeezing.
- **Cooking Porridge**
Porridge is easily cooked in the serving dish with no sticky pan to wash. Follow food manufacturers' recommendations.

Care and cleaning

The oven must always be clean. Residue of food from spillovers or splatters will attract microwave energy causing it to burn on. This could reduce the efficiency of the oven and may cause bad odours. Do not attempt to tamper with or make any adjustments or repairs to any part of the oven. Repairs should only be done by a qualified service technician.

Be sure the oven is disconnected from the electricity supply before cleaning.

Cleaning the accessories (turntable and support)

Clean them with mild detergent after removing them from the cavity. The turntable support should be carefully handled.

CAUTION: The inside of the oven and turntable get very hot, so do not touch them immediately after use.

Cleaning the interior

Always keep the inside of the oven clean. Wipe up spill-overs and food splatters immediately. Deposits that are allowed to remain on the oven walls, door seal and door surface will absorb microwave energy, reduce the efficiency of the oven, and possibly damage the oven interior. Use mild, liquid detergent, warm water and a soft, clean cloth to remove deposits.

NEVER USE ABRASIVE CLEANERS, COMMERCIAL OVEN CLEANERS OR STEEL WOOL PADS ON ANY PART OF THE MICROWAVE OVEN.

To loosen difficult deposits, boil a cup of water in the microwave oven for 2 or 3 minutes.

NEVER USE A KNIFE OR ANY UTENSIL TO REMOVE DEPOSITS FROM OVEN SURFACES.

To remove odours from the oven interior, boil a cup of water plus 2 tablespoons of lemon juice for 5 minutes.

Cleaning the exterior

Open the oven door when cleaning the control panel. This will prevent the oven from being turned on accidentally. You should clean outside surfaces of the oven with mild liquid detergent and water followed by a wiping with clear water to remove any excess detergent. Dry with a soft cloth.

Spray-on window cleaners or all purpose spray-on kitchen cleaners can also be used. Never use abrasive cleaners, scouring pads or harsh chemicals on outside surfaces of your oven. To prevent damage to the working parts, do not allow water to seep into ventilation openings.

GUARANTEE CONDITIONS

Zanussi offer the following guarantee to the first purchaser of this appliance:

1. The guarantee is valid for 24 months commencing when the appliance is handed over to the first retail purchaser, which must be verified by purchase invoice or similar documentation. The guarantee does not cover commercial use.
2. The guarantee covers all parts or components which fail due to faulty workmanship or faulty material. The guarantee does not cover appliances where defects or poor performance are due to misuse, accidental damage, neglect, faulty installation, unauthorised modification or attempted repair, commercial use or failure to observe requirements and recommendations set out in the instruction book. This guarantee does not cover such parts as light bulbs, removable glassware, or plastic.
3. Should guarantee repairs be necessary the purchaser must inform the nearest customer service office (ZANUSSI's service or authorised agent). ZANUSSI reserves the right to stipulate the place of repair (i.e. the customer's home, place of installation or ZANUSSI workshop).
4. The guarantee or free replacement includes both labour and materials.
5. Repairs carried out under guarantee do not extend the guarantee period for the appliance. Parts removed during guarantee repairs become the property of ZANUSSI.
6. The Purchaser's statutory rights are not affected by this guarantee.

European Guarantee

If you should move to another country within Europe then your guarantee moves with you to your new home subject to the following qualifications:

- The guarantee starts from the date you first purchased your product
- The guarantee is for the same period and to the same extent for labour and parts as exists in the new country of use for this brand or range of products
- This guarantee relates to you and cannot be transferred to another user
- Your new home is within the European Community (EC) or European Free Trade Area
- The product is installed and used in accordance with our instructions and is only used domestically, i.e. a normal household
- The product is installed taking into account regulations in your new country

Tartalomjegyzék

A mikrohullámú sütő használata előtt	4
Biztonsági tudnivalók	4
Edények biztonsága	4
A főzőedények alkalmasságának vizsgálata	5
Az ételek biztonsága	5
Sütőedények és tartozékok	6
Műszaki adatok	6
Előkészületek az üzembe helyezéshez	7
Kicsomagolás	7
Elhelyezés	7
Csatlakoztatás a hálózatra	7
Hogyan működik a mikrohullámú sütő?	8
Fő részek megnevezése és funkciói	8
Forgótányér behelyezése	8
Kezelőpanel	9
Mikrohullámú főzés	10
Mikrohullámú teljesítmény táblázat	10
Felolvasztási tudnivalók 230 W beállításnál	11
Mikrózási tanácsok	12
Tisztítás és ápolás	13
Tartozékok tisztítása (forgótányér és támasz)	13
Belső tisztítás	13
Külső tisztítás	13
Üzemzavarok - pótalkatrészek	14
Jótállás	14

Gratulálunk az új mikrohullámú sütő megvásárlásához

Köszönjük, hogy Zanussi terméket választott. Meggyőződésünk, hogy nagyon hasznosnak találja majd az új mikrohullámú sütőt, amely nagyszerű segítőtársra lesz. Mint minden konyhai készülék, ez is megköveteli, hogy megismerje a fő részeket és azok funkcióit, mivel a készülék nélkülözhetetlen lesz majd az Ön számára.

A mikrohullámú sütő használata előtt

Mielőtt a készülékét használatba venné, feltétlenül olvassa el ezt a Használati útmutatót. Az Zanussi mikrohullámú sütő használatakor a legjobb eredmény elérése érdekében tartsa be a Használati útmutatóban leírtakat. Figyelmesen olvassa el a tudnivalókat. Ügyeljen arra, hogy a Használati útmutató mindig a rendelkezésére álljon.

Ha a készüléket eladja, vagy elajándékozza, akkor ezt a Használati útmutatót is adja át az új tulajdonosnak, hogy Ő is tisztában legyen a készülék működésével és megismerje a vonatkozó biztonsági útmutatásokat is. A használatba vétel előtt jól ismerje meg a kezelőelemeket, a különböző funkciókat és kövesse az ajánlásokban leírtakat is.

Biztonsági tudnivalók

- A beépített biztonsági kapcsoló megakadályozza, hogy nyitott ajtónál működjön a mikrohullámú sütő.
- Ne próbálja meg "bűtykölni" a kapcsolót és ne próbálkozzon a sütő nyitott ajtóval történő működtetésével sem, mert az a mikrohullámú energia veszélyes kijutását eredményezheti.
- Ne hagyja a kifröccsent étel- és tisztítószer maradványokat ráakodni az ajtót tömítő felületekre. Vegye figyelembe a tisztításra vonatkozó fejezet előírásait.
- Különösen fontos, hogy a sütőajtó tökéletesen zárjon, ne legyen sérült, vagy deformálódott (1). A zsanéroknak (2) és a zárszerkezetnek biztonságosnak, az ajtó tömítésének (3) és a tömítő felületeknek kifogástalan állapotban kell lenni.
- Soha ne próbálkozzon saját maga a készülék javításával. A meghibásodott készülék javítását, beleértve a csatlakozó vezeték cseréjét is, csak a jótállási jegyben megjelölt szerviz végezheti. Hiba esetén forduljon a kijelölt szervizhez.
- Soha ne távolítsa el a készülék külső burkolatát, az ajtót, vagy a kezelőpanelt. A nagyfeszültség rendkívül veszélyes.
- A készülék elhelyezésénél vegye figyelembe az „**Elhelyezési tudnivalók**” című fejezet előírásait.
- A készüléket kizárólag az Útmutatóban leírt figyelembe vételével használja. Ne használjon maró vegyi anyagokat a készülékben. Ezt a típusú sütőt kifejezetten háztartási ételek melegítésére, főzésére és felolvasztására tervezték. Nem alkalmas ipari, laboratóriumi, vagy kereskedelmi használatra, amely rendeltetésellenes használatnak minősül és nem vonatkozik rá a jótállás.
- Ne működtesse a sütőt a forgótányér és ételek behelyezése nélkül. Amennyiben a sütőben nincs étel, vagy víz, amelyek képesek a mikrohullámú energia elnyelésére, akkor károsodhat a magnetron.
- Ha gyerekek tartózkodnak a készülék közelében, akkor az csak felügyelet mellett üzemeltethető.
- Ne tárolja a készüléket a szabadban. Ne használja víz közelében sem.
- Ne próbáljon ruhaneműt, vagy újságpapírt szárítani a mikroban, mert azok meggyulladhatnak.
- Ne használja a sütőteret tárolási célra. Ne hagyjon benne papírtermékeket, fűzőedényeket, vagy ételeket, amikor nem használja.

Edények biztonsága

A legtöbb üveg, üvegkerámia és hőálló üvegedény tökéletesen alkalmas a mikrohullámú sütőben történő használatra. A mikrohullámú energia nem melegíti fel a legtöbb edényt, azok azonban mégis felmelegsznek a benne lévő étel hőjétől. Az edények kivételéhez használjon védőkesztyűt.

A főzőedények alkalmasságának vizsgálata

- Helyezze a főzőedényt a mikróba egy fél pohár vízzel együtt. Melegítse egy percgig 700 W-os (100%) teljesítményen. Ha a főzőedény felforrósodik, akkor az nem alkalmas mikrózásra. Ha csak éppen meleg, akkor melegítésre használható, de főzésre nem. Ha az edény szobahőmérsékletű maradt, akkor alkalmas a mikróban történő főzésre.
- A papírtálcák, zsírpapírok, papírtörölközők, tányérok, csészék, fagyasztó tálcák és kartonpapírok nagyon kényelmes edények. Mindig töltsé őket tele étellel, hogy elnyeljék az energiát, mert így elkerülheti az edények túlmelegedését.
- Sokfajta műanyag edény, pl. tálca, tányér, doboz, stb. alkalmas a mikrohullámú sütőben történő használatra. Mindig kövesse a gyártó ajánlását. A túl zsíros, vagy magas cukortartalmú ételek esetében azonban kerülje el ezeknek az edényeknek a használatát, mivel a magas hőmérséklet miatt ezek könnyen megolvadhatnak.
- Ne hagyja a sütőt felügyelet nélkül, amikor műanyag, papír, vagy más könnyen éghető edényben melegít, vagy főz. Ha füstöt észlel, kapcsolja ki a készüléket, húzza ki a dugót és hagyja az ajtót zárva, amíg a füst megszűnik.
- Fém- és fémdíszítésű edények nem használhatók a mikróban, kivéve a speciálisan erre a célra tervezett edényeket.
- Szűk nyílású edények (üvegek) nem használhatók a mikrohullámú főzésre.
- Az égési sérülések elkerülése érdekében óvatosan vegye le a fedőt, vagy távolítsa el az edényt.

Az ételek biztonsága

- Az ételeket mindig alkalmas tárolóedényben melegítse.
- Ne használja a készüléket fritőzésre, mert az olaj/zsír hőfoka nem szabályozható és könnyen meggyulladhat.
- A mikróban csak olyan kukorica pattogatása végezhető, amelyet kifejezetten mikróban történő elkészítésre gyártottak. Ezt a műveletet tilos felügyelet nélkül végezni.
- A nem porózusos, héjas ételek bőrét szurkálja meg, hogy a keletkező gőzök kijuthassanak. Néhány ételkészítésnél gondoskodni kell a külső burok kiszúrásáról (alma, burgonya, csirkebőr, tojásbőr), hogy a keletkező gőzöktől az ételkészítés ne "robbanjon" szét.

Vigyázat! Amikor folyadékot melegít, pl. levest, szószt, italt, akkor a forráspont feletti túlfűtés miatt a folyadék kifuthat. Hogy ezt elkerülhesse, tartsa be a következőket:

1. Ne használjon egyenes oldalú, szűk szájú edényt.
 2. Kerülje el a túlfűtést.
 3. Kavarja fel a folyadékot, mielőtt beteszi a készülékbe, majd a melegítés félidejében a kavarást ismételve meg.
 4. A melegítés után rövid ideig hagyja a folyadékot állni a készülékben, majd keverje meg és óvatosan vegye ki az edényt.
- Néhány ételkészítés, mint pl. egész tojás, valamint néhány edény, pl. zárt lekvárosüveg szétrobbanhatnak. Rántotta sütésénél szűrje ki a tojás sárgáját, majd takarja le és hagyja 1 percgig állni, mielőtt eltávolítja a tetőt.

FIGYELEM:

- Ne erőltesse a forgótányér forgását kézzel. Meghibásodást okozhat.
- Amennyiben a mikró működése közben szikrázás fordul elő, akkor azt fém, vagy fémtartalmú edény okozza. A folyamatos szikrázás károsíthatja a készüléket. Ilyenkor azonnal kapcsolja ki és ellenőrizze az edényt.
- Ha az edény deformálódik, akkor hagyja abba a sütést és válasszon másik edényt.
- Ügyeljen arra, hogy semmi ne zárja el a sütő szellőző nyílásait.

Ne használja a sütőt kereskedelmi célra.

Ez a sütő kizárólag háztartási használatra készült.

Mindig tartsa be az előzőekben leírtakat!

Sütőedények és tartozékok

A mikrózáshoz számos eszköz és anyag használható. Egy adott főzési / sütési módhoz biztonsági okok miatt mindig a legalkalmasabb eszközöket és anyagokat válassza ki. Vegye figyelembe az alábbi táblázatot.

Anyag	Edény	Mikrohullámú főzés
Kerámia és üveg	Főzőedény	IGEN
	Hőálló üvegáru	IGEN
	Üvegáru fémdíszítéssel	NEM
	Ólomkristály	NEM
Porcelán	Fémdíszítés nélkül	IGEN
Agyagedény		IGEN
Műanyag	Hőálló edény mikrohullámú sütőbe Műanyag csomagoló anyag	IGEN IGEN
Fém	Fém sütőserpenyő	NEM
	Alumínium fólia*	IGEN
Papír	Csésze, tányér, papírtörölköző	IGEN
	Zsírpapír	IGEN
Fa		NEM
Tartozékok	Forgótányér	IGEN
	Forgótányér támasz	IGEN

IGEN

NEM

* MEGJEGYZÉS

Használható edények és tartozékok

Nem használható edények és tartozékok

Alumínium fóliát csak árnyékolásra használjon, a túl sok fólia szikrázást okoz

Műszaki adatok

Külső méretek	Szélesség	459 mm
	Mélység	368 mm
	Magasság	296 mm
Sütőtéri méretek	Szélesség	282 mm
	Mélység	282 mm
	Magasság	206 mm
	Úrtartalom	17 liter
Teljesítmény-felvétel		1200 W
Mikrohullámú teljesítmény		700 W
Tömeg		14 kg
Feszültség		230V/50Hz
Biztosíték igény		10 A
Zajkibocsátás		60 dB(A)

CE Ez a készülék megfelel az alábbi irányelveknek:

- 73/23/EWG - 1973.02.19 (kisfeszültségű irányelv a változásokkal bezárólag)
- 89/336/EWG - 1989.05.03. (EMC-irányelv a 92/31/EWG változásokkal bezárólag)

Előkészületek az üzembe helyezéshez

Kicsomagolás

Figyelem: Amikor kicsomagolta a sütőt, feltétlenül ellenőrizze, hogy a szállítás közben nem érte-e valamilyen sérülés a készüléket. A sérült, vagy hiányzó részekkel rendelkező sütőt tilos üzembe helyezni, azt azonnal vissza kell vinni az eladás helyére. A sütőt is és a tartozékokat is védőfólia boríthatja. A sütő használata előtt ezt a védőfóliát (amennyiben van) el kell távolítani. Ne engedje, hogy a gyermekek játsszanak a csomagoló anyagokkal. A csomagoló anyagok veszélyesek lehetnek a gyerekek számára.

Elhelyezés

1. Minden reklámcímkét távolítson el a sütő ajtajáról.
2. A sütőt stabil, sima felületre helyezze. A felületnek olyan erősnek kell lennie, hogy a készüléket is (14 kg) és a tartalmát is biztonságosan megtartsa. A vízszintes felületre a rendellenes zaj és vibráció elkerülése érdekében van szükség.
3. A sütőt tartsa távol hőforrásoktól és víztől. Mindkettő csökkentheti a sütő hatását, sőt meghibásodáshoz vezethet. Az elhelyezésnél ezért ügyeljen arra, hogy hőforrástól és víztől megfelelő távolságban legyen a sütő.
4. Ne zárja el a burkolat felső és oldalsó szellőző nyílásait és semmivel ne takarja le őket. Ne tegyen semmilyen tárgyat a sütő tetejére. Ha a szellőző nyílások a működés során takarva vannak, akkor a fellépő túlmelegedés meghibásodáshoz vezet. Arra is ügyeljen, hogy a szellőző nyílásokon távozó forró levegő eltávozását sem függöny, sem más tárgy ne akadályozhassa a készülék hátoldalán.
5. A készüléket rádiótól és TV-től a lehető legtávolabb helyezze el. A sütő megfelel az EMC (elektromágneses kompatibilitásra vonatkozó) irányelveknek, azonban ha túl közel üzemel a rádióhoz, vagy a TV-hez, akkor zavarokat okozhat.
6. Ha a készüléket sarokban helyezi el, akkor hagyjon legalább 10 cm-es távolságot a faltól, hogy a megfelelő szellőzés biztosítható legyen.

Fontos! A sütő a konyhában bárhol elhelyezhető. Ügyeljen azonban arra, hogy sík felületre állítsa a készüléket és a szellőzőnyílások ne legyenek eltakarva és a szellőzés alulról is biztosítva legyen.

Csatlakoztatás a hálózatra

A sütőt a gyártó bekötött csatlakozó vezetékkel és dugóval szállítja, amelyet 230 V 50 Hz-es földelt konnektorba kell csatlakoztatni. A földelés minimálisan csökkenti a rövidzárlat kockázatát. Csatlakoztatás előtt ellenőrizze, hogy a lakás elektromos hálózatának adatai megegyeznek-e a fent leírtakkal.

Megjegyzés: Ha a sütőt hosszabbítón keresztül csatlakoztatja a hálózatra, akkor annak is földelt kivitelűnek kell lennie.

FIGYELEM! Tilos a készüléket földetlen konnektorból üzemeltetni.

Ha a megfelelő földelt konnektor nem áll a rendelkezésére, akkor arra illetékes szakemberrel kell a megfelelő kiépítésről gondoskodnia.

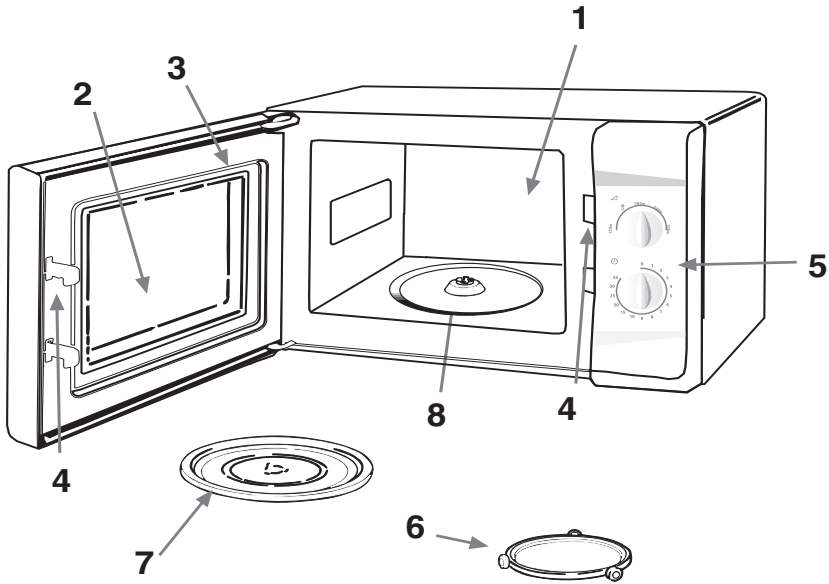
Elektromos csatlakoztatás

Ez a készülék egy az európai szabványnak megfelelő kétsapós csatlakozó dugóval van felszerelve.

FIGYELEM! A KÉSZÜLÉKET FÖDELNI KELL.

A gyártó minden felelősséget elhárít magától, ha a meghibásodás, illetve kár a biztonsági előírások be nem tartása miatt következik be.

Hogyan működik a mikrohullámú sütő?



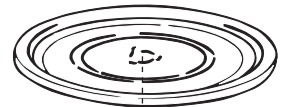
Fő részek megnevezése és funkciói

1. Sütőtér – a használat után törölje ki a sütőteret.
2. Átlátszó ablak – a sütő működése közben figyelemmel kísérheti a készülő ételt.
3. Sütőajtó – sütés közben az ajtónak szilárdan záródnia kell.
4. Kampós zárnyelv – ez a biztonsági ajtózárszer része.
5. Kezelőpanel
6. Forgótányér támasz – úgy helyezze be a sütő aljára, hogy jól megtartsa a forgótányért.
7. Forgótányér – speciális hőálló üvegből készült. Sütés-főzéskor erre a tányérra kell a tartóba elhelyezett ételt rakni. Ne használja a sütőt forgótányér nélkül.
8. Forgótányért meghajtó tengely

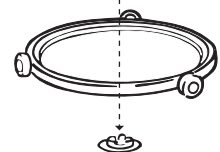
Forgótányér behelyezése

1. Helyezze a forgótányér támaszt a sütő aljára.
2. Helyezze a forgótányért a meghajtó tengelyre a képen látható módon. Ügyeljen arra, hogy a forgótányér megfelelően illeszkedjen a meghajtó tengelyre. **Soha ne tegye be a forgótányért lefelé fordítva.**
 - Sütés-főzéskor a forgótányér támaszt és a forgótányért is használni kell.
 - Az edénybe helyezett ételt mindig a forgótányérra kell betenni.
 - A forgótányér az óramutató járásával azonos és ellentétes irányba is foroghat. Ez teljesen normális.

Forgótányér

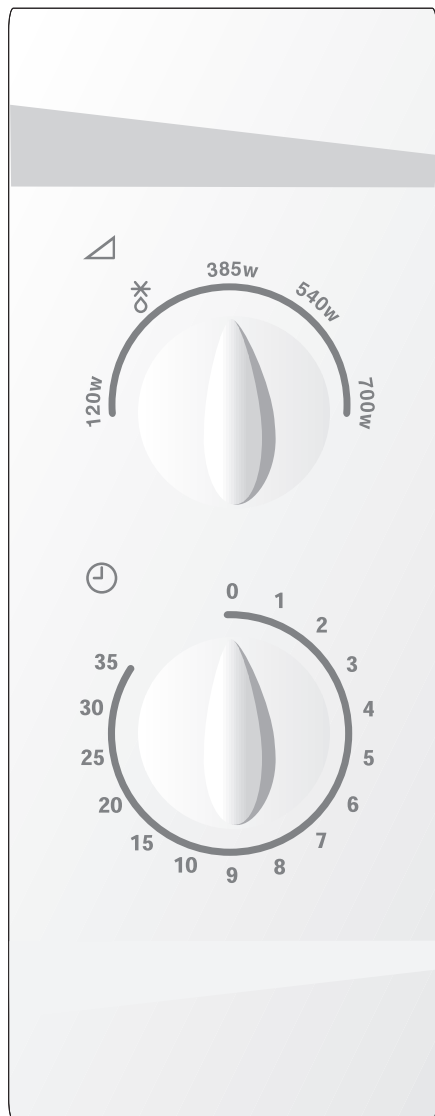


Forgótányér támasz



Meghajtó tengely

Kezelőpanel



1. Mikrohullámú teljesítményt beállító gomb

A gomb segítségével lehet a szükséges mikrohullámú teljesítményt beállítani.

2. Beállító gomb

Állítsa be a kívánt főzési időt. A főzés automatikusan megkezdődik. Minden időkapcsoló pontosabban működik, ha a szükséges főzési időn túl elforgatja a gombot, majd visszafelé forgatva állítja be a pontos időt, ameddig a főzést végezni akarja.

Mikrohullámú főzés

1. Nyissa ki az ajtót, helyezze be az ételt a forgótányérra és zárja be az ajtót.
2. Állítsa be a szükséges főzési teljesítményt. Vegye figyelembe az alábbi táblázatot.
3. A beállító gomb óramutató járásával megegyező irányba történő elforgatásával állítsa be a szükséges főzési időt.

A készülék működése megkezdődik.

Ha a főzési idő 2 percnél kevesebb, akkor mindenképpen forgassa el az időbeállító gombot egy a 2-nél nagyobb számra, majd vissza a kívánt időre.


A sütő kikapcsolásához egyszerűen forgassa el az időbeállító gombot a „0” pozícióba.

Vigyázat: Minden használat után ellenőrizze, hogy az időbeállító a „0” pozícióban van-e, vagy ha folytatni akarja a sütést, akkor állítson be egy új időt.

Példa: Sütés 540 W teljesítményen, 15 percig

1. Forgassa el a teljesítmény beállító gombot a 540 W-os beállításba.
2. Forgassa el az idő beállító gombot a 15-ös számhoz.
3. A sütő működése megkezdődik és 15 percig automatikusan 540 W-os teljesítményen üzemel.

Mikrohullámú teljesítmény táblázat

Teljesítmény beállítás	Felhasználási javaslat
120 W	Melegentartó funkció: Ételek melegen tartásához
230 W 	Felolvasztó funkció: Fagyasztott élelmiszerek felolvasztásához
350 W	Közepes fokozat: Gyorsabb felolvasztáshoz, casserole és ragu felmelegítéséhez
540 W	Közepes fokozat: Kékszek sütéséhez, pudingok készítéséhez
700 W	Levesek felmelegítéséhez, főzéséhez, zöldségek főzéséhez, barnító tában készült ételek felmelegítéséhez

Felolvasztási tudnivalók 230 W beállításnál

Néhány ételfajta (kenyér, gyümölcs) felolvasztása jobb eredményt ad ezen a 180 W teljesítményen való felolvasztáskor.

Étel	Előkészítés	Időszükséglet 230 W-on	Állásidő
Kenyér			
Kis méretű egész kenyér	Mikrohullámálló rácsra vagy papírtörölközőre tegye. A felolvasztás félidejében fordítsa meg.	8-10 perc	10-15 perc
Nagy méretű szeletelt kenyér	Mikrohullámálló rácsra vagy papírtörölközőre tegye. A felolvasztás félidejében fordítsa meg.	10-13 perc	10 perc
2 szelet	Tegye papírtörölközőre.	45-60 mp	5 perc
1 zsemlye	Tegye papírtörölközőre.	45-60 mp	5 perc
2 zsemlye	Tegye papírtörölközőre.	1-1,5 perc	5 perc
Sütemények és tészták			
Torta (450 g)	Távolítsa el a csomagolást és tegye tányérra.	9-11 perc	15-30 perc
Sajtos sütemény (450 g)	Távolítsa el a csomagolást és tegye tányérra.	9-11 perc	15-30 perc
Pite (450 g)	Távolítsa el a csomagolást és tegye tányérra.	7-9 perc	15-30 perc
Tészta (450 g)	Távolítsa el a csomagolást és tegye tányérra.	7-9 perc	15-30 perc
Vaj			
250 g (1 csomag)	Távolítsa el róla a fóliát és tegye tányérra.	3-4 perc	5-10 perc
Gyümölcs			
Puha bogyós gyümölcs (225 g)	Egy rétegben helyezze lapos tányérra.	5-6 perc	5-10 perc
Puha bogyós gyümölcs (450 g)	Egy rétegben helyezze lapos tányérra.	7-8 perc	5-10 perc
Tányéros készétel			
450 g	Takarja le tányérral. Melegítse elő 100%-is mikrohullámú teljesítményen 3-4 percig.	7-8 perc	5-10 perc
Zöldségek			
	Főzés előtt nem szükséges a zöldségeket felolvasztani. Indokolt esetben minden zöldség felolvasztható 100 %-on (700 W-on).		

Mikrózási tanácsok

- Mindig tartsa a mikró tiszán, lehetőleg kerülje el az ételek kiforrccsenését és ne felejtszen el meg tisztítani a forgótányért, valamint a sütő belsejét.
- Mikrózásnál részesítse előnyben a fedővel rendelkező kerek, vagy ovális edényeket.
- Ne használjon fém, vagy fémdiszítésű edényeket. Bizonyos műanyag edények az étel forróságától megolvadhatnak.
- Főzőeszköz takarja le az ételeket. Használjon erre a célra üvegfedőt, tányért, vagy zsírálló papírt.
- Tésztát, kenyeret és hasonlókat közvetlenül a kenyértartó kosárban is, vagy szalvétán is felolvaszthat.
- Ha a fagyasztott ételt a csomagolásában melegíti fel, akkor a csomagolást először ki kell nyitni. Ha a csomagolás fémet, vagy fémdekorációt is tartalmaz, akkor azt csak akkor nem kell eltávolítani, ha a gyártó kifejezetten erre a célra ajánlja. Távolítsa el a fém zárókapcsot is.
- Kisebb darab alumínium fólia használható a mikróban olyan részek burkolására, ahol a túlfűzés elkerülése a cél (pl. csirkeláb).
- A nagyobb, sovány darabokat a hőálló edény szélére tegye és ha lehet, próbálja a nagyobb darabokat kisebb méretűekre felvágni. Az edényt mindig a készülék közepére helyezze.
- Az étel egyenletesen fog elkészülni, ha időnként megkeveri, vagy megforgatja.
- Mindig rövidebb főzési időt állítson be, mint amennyit a receptkönyvek írnak, hogy a túlfűzést elkerülje. A nagyobb mennyiségek hosszabb főzési időt igényelnek.
- Zöldségek párolásánál ne használjon vizet, vagy ha kell, akkor csak kis mennyiséget.
- Kevesebb sót és fűszert használjon, mint amennyit a hagyományos főzésnél szokott.
- Fűszerezzen később.
- A főzés befejezése után hagyja állni az ételt, hogy jobb eredményt kapjon.
- Mindig tűzforró legyen az étel, mielőtt tálalja.
- Mindig használjon edényfogót, vagy kesztyűt, amikor az edényt kiveszi a készülékből.
- **Méz felolvasztása** – Ha az üvegben lévő méz kikristályosodott, akkor vegye le az üveg tetejét, majd az üveget helyezze a mikróba 2 percre, közepes teljesítmény beállításával.
- **Csokoládé felolvasztása** – 100 g csokoládét darabolja fel, helyezze egy mély tálba és magas teljesítménnyel 1-2 percig olvassa, majd jól keverje meg.
- **Vaj puhítása, vagy felolvasztása** – Az olvasztást néhány másodpercig magas teljesítménnyel végezze. Ha csak meg akarja puhítani, akkor alacsonyabb teljesítményt állítson be.
- **Kenyér frissítése, melegítése** – Néhány másodpercig végezze, közepes teljesítmény beállításával.
- **Fokhagyma héjának a könnyű eltávolításához** – 3-4 gerezd fokhagymát 15 másodpercig melegítsen magas teljesítményen. Préselje össze az egyik végét, amíg a fokhagyma gerezd kipattan a héjából.
- **Gyümölcslé** – A citrusfélék több levet adnak, ha facsárás előtt 15 másodpercig magas teljesítménnyel melegítik.
- **Zabkása főzése** – A zabkása a szervírozó tányérban is elkészíthető és nem ragad le a lábos aljára. Kövesse a gyártó útmutatásait.

Tisztítás és ápolás

A sütőnek mindig tisztának kell lennie. Az ételmaradványok elnyelik a mikrohullámú energiát és eléghetnek. Ez csökkenti a sütő hatékonyságát és kellemetlen szagokat eredményezhet. Ne próbálja meg saját maga a sütő javítását, vagy beállítását. A meghibásodott készülék javítását, beleértve a csatlakozó vezeték cseréjét is, csak a jótállási jegyben megjelölt szerviz végezheti.

Ügyeljen arra, hogy bármilyen tisztítási munka előtt a mikrohullámú sütő le legyen választva az elektromos hálózatról!

Tartozékok tisztítása (forgótányér és támasz)

A sütőtérből történő eltávolításuk után mosogatószeres vízben tisztítsa meg a tartozékokat. A forgótányér támaszát óvatosan kell tisztítani.

A sütőtér és a forgótányér nagyon felforrósodhat, ezért a használat után ne érintse meg azonnal!

Belső tisztítás

A sütő oldalfalain, az ajtó tömítésén és az ajtó felületén visszamaradó szennyeződések elnyelik a mikrohullámú energiát, ezáltal csökkentik a sütő hatékonyságát, sőt károsíthatják a sütő belsejét is. A szennyeződés eltávolításához használjon kevés folyékony mosószert, meleg vizet és puha ruhát.

SOHA NE HASZNÁLJON MARÓ TISZTÍTÓSZERT, KERESKEDELMI SÜTŐ TISZTÍTÓT, VAGY FÉMSZÁLAS TISZTÍTÓ PÁRNÁT A MIKROHULLÁMÚ SÜTŐ EGYETLEN RÉSZÉNEK A TISZTÍTÁSÁHOZ SEM.

A makacs szennyeződések eltávolításához 2-3 percig forraljon egy csésze vizet a mikróban.

SOHA NE HASZNÁLJON KÉST, VAGY BÁRMILYEN MÁS ESZKÖZT A SZENNYEZŐDÉS SÜTŐFELÜLETRŐL TÖRTÉNŐ ELTÁVOLÍTÁSÁHOZ.

A sütőben lévő kellemetlen szagok eltávolításához a következőt ajánljuk: tegyen egy csésze vízbe 2 evőkanál citromlevet és azt 5 percig forralja a mikróban.

Külső tisztítás

A kezelőpanel tisztításakor nyissa ki az ajtót. Ezzel elkerülheti a véletlenszerű bekapcsolást. A külső felületeket enyhe mosogatószeres meleg vízzel tisztítsa meg egy puha ruha segítségével. A mosogatószeres ruhával való letörlés után tiszta vizes ruhával, majd száraz ruhával törölje át a felületeket. Ablaktisztító, vagy hasonló konyhai tisztító-spray is használható az ajtó ablakához. Soha ne használjon maró, karcoló vegyszert, mert károsíthatja a felületet. A károsodás elkerülése érdekében fokozottan ügyelni kell arra, hogy a szellőző nyílásokba víz semmilyen körülmények között ne juthasson be.

ÜZEMZAVAROK - PÓTALKATRÉSZEK

Ha a készülék működésében hibát észlel, akkor ellenőrizze az alábbiakban leírtakat, mielőtt a szervizhez fordul.

Ha a sütő nem indul el:

- Ellenőrizze, hogy a készüléket csatlakoztatta-e az elektromos hálózatra.
- Ellenőrizze, hogy megfelelően benyomta-e a csatlakozó dugót a konnektorba.
- Ha a csatlakozó dugóban lévő biztosítókkal van probléma, cseréltesse ki egy újra.
- Ellenőrizze, hogy van-e áram a fali csatlakozó aljzatban, vagy nem oldott-e le a lakás főbiztosítéka.
- Ellenőrizze, hogy ugyanabban a több férőhelyes csatlakozó aljzatban nem üzemel-e más készülék, amely nagy teljesítményű.
- Ellenőrizze a lakás főbiztosítékát.

Ha a mikrohullám nem működik:

- Ellenőrizze a beállító gombokat, hogy helyes-e azok beállítása.
- Ellenőrizze, hogy a beállítást a használati útmutató leírása szerint végezte-e.
- Ellenőrizze, hogy megfelelően bezárta-e az ajtót. (ha ételmaradványok ragadnak az ajtó-sütőtér záródó felületére, akkor az is akadályozhatja a megfelelő záródást, ami a mikro működésképtelenségét eredményezheti.)

Ha a fenti ellenőrzések után sem megfelelő a készülék működése, akkor forduljon a jótállási jegyben kijelölt szervizhez.

Fontos! Ha hívja a szervizt, akkor a bejelentkezéskor az alábbi adatokat adja meg a szerviznek:

1. Az Ön nevét, címét, postai irányítószámát:
2. Az Ön telefonszámát:
3. A hiba pontos leírását:
4. A készülék modellszámát:
5. A készülék sorozatszámát:
6. A készülék vásárlásának dátumát:

Azért, hogy az azonosító adatok mindig kéznél legyenek, javasoljuk, hogy írja be azokat az alábbi sorokba:

Modellszám: **ZM17ML**

Sorozatszám:

Vásárlási dátum:

Ha a készülék még jótállási időn belül van, a fentiekben részletezett ellenőrzéseket el kell végezni, mielőtt hívja a szerviz szakemberét. Ha a szakember kihívására nem a készülék mechanikus, vagy elektromos hibája miatt kerül sor, akkor annak költsége a vásárlót terheli.

Pótalkatrészek


Pótalkatrész az Alkatrészellátástól szerezhető be.

Jótállás

A jótállási feltételeket és kötelezettségeket a készülékhez mellékelte jótállási jegy tartalmazza.

Vevőszolgálat: 1142 Budapest, Erzsébet királyné út 87.
 Forgalmazó: Zanuszi Lehel Kft. Háztartási Készülékek
 1142 Budapest, Erzsébet királyné út 87.

Spis treści

Przed rozpoczęciem korzystania z kuchni mikrofalowej	4
Wskazówki bezpieczeństwa	4
– Naczynia	5
– Sprawdzenie przydatności naczyń	5
– Żywność	5
– Tabela naczyń	7
Dane techniczne	7
Przed włączeniem	8
– Rozpakowanie	8
Instalacja	8
– Podłączenie do zasilania	8
– Podłączenie elektryczne	8
Obsługa kuchni mikrofalowej	9
– Elementy	9
– Podstawa obrotowa / talerz	9
– Panel sterujący	10
– Gotowanie mikrofalowe	11
– Tabela ustawień	11
– Wskazówki dotyczące rozmrażania  (230W)	12
– Praktyczne wskazówki	13
– Konserwacja i czyszczenie	14
– Czyszczenie akcesoriów (talerz / podstawa)	14
– Czyszczenie wnętrza kuchni	14
– Czyszczenie elementów zewnętrznych	14
Serwis i części zamienne	15
Gwarancja	16

Gratulujemy zakupu nowej kuchni mikrofalowej

Gratulujemy Państwu trafnego wyboru i dziękujemy za zakup produktu firmy Zanussi. Jesteśmy przekonani, że nowa kuchnia mikrofalowa będzie Państwu bardzo przydatna i ułatwi przygotowywanie potraw.

Przed rozpoczęciem korzystania z kuchni mikrofalowej

Prosimy o dokładne zapoznanie się z niniejszą instrukcją obsługi. W celu efektywnego wykorzystania Państwa nowej kuchni mikrofalowej w instrukcji obsługi zawarto wiele cennych wskazówek i porad. Zalecamy dokładne przeczytanie niniejszej instrukcji obsługi przed rozpoczęciem używania kuchni. Instrukcję należy zachować, aby podczas użytkowania móc w każdej chwili z niej skorzystać. W przypadku sprzedaży urządzenia prosimy o przekazanie instrukcji nowemu użytkownikowi.

Wskazówki bezpieczeństwa

- Wbudowany przełącznik blokujący zabezpiecza kuchnię mikrofalową przed uruchomieniem przy otwartych drzwiach.
- Nie należy manipulować przy drzwiach ani włączać kuchni, kiedy drzwi są otwarte. Może to narazić obsługującego na oddziaływanie energii mikrofalowej.
- Nie należy dopuszczać, aby na powierzchniach uszczelniających drzwi pozostawały resztki produktów żywnościowych lub środków czyszczących (patrz rozdział „Czyszczenie i konserwacja”).
- W przypadku usterek nie używać kuchni do czasu usunięcia ich przez autoryzowany zakład serwisowy.
- Prosimy zwracać szczególną uwagę na prawidłowe zamykanie się drzwi oraz na ewentualne usterki, tj.: (1) drzwi nie mogą być zwichrowane, (2) zawiasy i zatrzaski nie mogą być pęknięte i powinny działać niezawodnie, (3) uszczelki oraz powierzchnie uszczelniające nie mogą być uszkodzone.
- W przypadku wystąpienia usterki (opisanej powyżej), bądź konieczności wymiany części należy skontaktować się z lokalnym autoryzowanym zakładem serwisowym. Wszelkie prace o charakterze naprawczym i regulacyjnym muszą być wykonywane wyłącznie przez personel autoryzowanych zakładów serwisowych.
- W żadnym przypadku nie wolno demontować zewnętrznej obudowy drzwi oraz panelu sterującego, gdyż może to spowodować zagrożenie porażenia prądem elektrycznym o wysokim napięciu.
- Kuchnię należy zainstalować i umieścić zgodnie ze wskazówkami zawartymi w instrukcji obsługi.
- Kuchnię należy użytkować zgodnie z przeznaczeniem - jak podano w niniejszej instrukcji. Nie należy w tym urządzeniu stosować chemikaliów korozyjnych. Ten typ kuchni służy wyłącznie do podgrzewania, gotowania i rozmrażania produktów żywnościowych. Nie jest ona przeznaczona do celów przemysłowych, czy laboratoryjnych, jak również nie może być używana w celach komercyjnych. Użytkowanie niezgodne z przeznaczeniem powoduje anulowanie gwarancji.
- Nie włączać pustej kuchni mikrofalowej. Jeżeli nie ma w niej produktów żywnościowych lub wody, które mogłyby pochłoniąć energię mikrofalową, może wystąpić uszkodzenie magnetronu.
- Kuchnia mikrofalowa może być obsługiwana wyłącznie przez osoby dorosłe.
- Kuchni nie należy przechowywać na zewnątrz pomieszczeń oraz w pobliżu wody.
- Nie suszyć w kuchni mokrych przedmiotów lub gazet, gdyż może dojść do ich zapalenia.
- Kuchnia nie służy do przechowywania produktów żywnościowych i innych przedmiotów. Nie należy pozostawiać w niej przedmiotów papierowych, sprzętu do gotowania lub produktów żywnościowych, gdy kuchnia nie jest używana.

Większość naczyń ze szkła, tworzyw szklano - ceramicznych i szkła żaroodpornego nadaje się do stosowania w kuchni mikrofalowej. Mimo, że energia mikrofalowa nie przegrzewa większości naczyń szklanych i ceramicznych, mogą one ulec nagrzananiu w wyniku przenoszenia się ciepła z produktu na pojemnik. Dlatego zalecamy używanie rękawic przy wyjmowaniu z kuchni naczyń.

Sprawdzenie przydatności naczyń

- Umieścić w kuchni mikrofalowej naczynie wraz ze szklanką wypełnioną do połowy wodą. Podgrzać przy ustawieniu na 700 W (100 %) przez jedną minutę. Jeżeli naczynie jest gorące nie należy stosować go w kuchni mikrofalowej. Jeżeli jest ono lekko ciepłe - może być używane do podgrzewania (ale nie do gotowania). Jeżeli naczynie utrzymało normalną temperaturę (otoczenia) oznacza to, że nadaje się do gotowania w kuchni mikrofalowej.
- Papierowe serwetki, papier woskowy, ręczniki papierowe, tacki, kubki, kartony, opakowania mrożonek i tektura są bardzo wygodne w użyciu. Zawsze należy jednak upewnić się, czy pojemnik wypełniony jest produktem żywnościowym, który będzie pochłaniał energię mikrofalową (i będzie można uniknąć przegrzania naczynia). Stosować się do wskazówek producenta żywności.
- Wiele naczyń z tworzyw sztucznych (kubki, talerze, opakowania mrożonek i inne) nadaje się do stosowania w kuchniach mikrofalowych. Jeżeli chcecie Państwo z nich korzystać radzimy zapoznać się z informacją producenta. Należy unikać stosowania opakowań z tworzyw sztucznych wraz z produktami zawierającymi duże ilości cukru lub tłuszczu. Produkty te osiągają w kuchni mikrofalowej wysoką temperaturę, co może spowodować stopienie się niektórych gatunków tworzyw sztucznych.
- Nie pozostawiać włączonej kuchni mikrofalowej bez nadzoru, kontrolować jej pracę podczas podgrzewania i gotowania z użyciem pojemników wykonanych ze sztucznych, papierowych bądź łatwopalnych materiałów. Jeżeli zauważą Państwo dym prosimy nie otwierać drzwi, lecz natychmiast

wyłączyć kuchnię, odłączyć od zasilania elektrycznego i odczekać, aż dym przestanie się wydobywać z wnętrza urządzenia.

- Sprzęt metalowy lub z elementami metalowymi nie powinien być stosowany w kuchni mikrofalowej, z wyjątkiem, jeżeli producent wyraźnie określi i zaleci możliwość używania w kuchniach mikrofalowych.
- Pojemniki z ograniczonymi możliwościami otwierania (np. butelki) nie powinny być używane do przyrządzania potraw w kuchniach mikrofalowych.
- Prosimy o szczególną uwagę przy sprawdzaniu pokrywek bądź przykrywek z naczyń, aby nie poparzyć się parą.

Żywność

- Nie podgrzewać w kuchni potraw w puszkach. Produkt należy wyjąć z puszki i umieścić w odpowiednim naczyniu.
- Nie należy smażyć potraw na tłuszczu. Jego temperatura nie jest kontrolowana, co może doprowadzić do sytuacji stwarzającej zagrożenie.
- Prażona kukurydza może być przyrządzana tylko w specjalnych opakowaniach lub przystosowanych naczyniach (czynność ta wymaga nadzoru obsługującego).
- Produkty posiadające nieporowatą skórę bądź powłokę (takie jak: jabłka, ziemniaki, wątróbki drobiowe, żółtka jaj) wymagają wcześniejszego nakłucia zewnętrznej warstwy, aby zapobiec tworzeniu się pary lub ewentualnemu poparzeniu.

UWAGA: Podczas podgrzewania płynów (tj. zup, sosów, napojów) doprowadzenie ich do temperatury wrzenia może nastąpić bez pojawienia się charakterystycznych pęcherzyków. Aby tego uniknąć należy przyjąć poniższe wskazówki:

1. unikać używania pojemników o prostych ściankach z wąskimi szyjkami;
 2. nie doprowadzać do nadmiernego przegrzewania;
 3. przed umieszczeniem płynu w kuchni należy go uprzednio zamieszać (czynność powtórzyć w połowie cyklu podgrzewania);
- po podgrzaniu naczynie z płynem pozostawić jeszcze przez chwilę w kuchni, ponownie zamieszać, a następnie wyjąć pojemnik przy zachowaniu szczególnej ostrożności.
 - Niektóre produkty, np. jaja oraz szczelnie zamknięte pojemniki, szklane stoiki mogą ulec eksplozji i dlatego nie powinny być poddawane działaniu energii mikrofalowej. Czasami jaja mogą eksplodować podczas

gotowania. Zawsze należy przekłuwać żółtka, przykryć je pokrywką i po zakończeniu gotowania odczekać jeszcze minutę przed jej zdjęciem.

ZAPAMIĘTAJ:

- Postawy obrotowej nie wolno obracać ręcznie z użyciem siły, gdyż może to spowodować jej uszkodzenie.
- Kiedy używamy w kuchni mikrofalowej naczyń metalowych może wystąpić iskrzenie. Ciągłe iskrzenie może uszkodzić urządzenie. W takim przypadku należy przerwać program i sprawdzić naczynie, z którego korzystamy.
- Otwory wentylacyjne kuchni nie mogą być zasłonięte (górne, boczne oraz dolne).

Nie używać kuchni do celów komercyjnych.

Kuchnia jest przeznaczona do użytku w warunkach gospodarstwa domowego.

Zachowaj instrukcję obsługi.

Tabela naczyń

Do gotowania w kuchni mikrofalowej możecie Państwo stosować różnorodne naczynia. Dla Waszego bezpieczeństwa oraz dla zapobiegania zniszczeniu naczyń i kuchni należy wybrać odpowiednie pojemniki i materiały.

Poniższa lista pozwoli Państwu zapoznać się z ogólnymi zasadami doboru naczyń do stosowania w kuchni mikrofalowej.

Materiał	Naczynie	Gotowanie mikrofalowe
Ceramika i szkło	Naczynia ze szkła żaroodpornego	TAK
	Szkło z metalowymi dekoracjami	NIE
	Szkło ołowiane	NIE
Porcelana	Bez dekoracji metalowych	TAK
Wyroby garncarskie		TAK
Tworzywa sztuczne	Wyroby z tworzyw odpornych na oddziaływanie mikrofal;	TAK
	opakowania z tworzyw sztucznych	TAK
Naczynia metalowe	Metalowe rondle do pieczenia; folia aluminiowa*	NIE TAK
Naczynia papierowe	Kubki, tacki, ręczniki	TAK
Papier woskowany		TAK
Drewno		NIE
Akcesoria	Talerz obrotowy	TAK
	Podstawa talerza obrotowego	TAK

TAK: można używać;

NIE: nie wolno używać

* folii aluminiowej używać tylko do przykrywania (np. kości udek kurczaka, skrzydełek); folia może iskrzyć!

Dane techniczne

Wymiary zewnętrzne	Waga 14 kg
Szerokość 459 mm	Pojemność 17 litrów
Głębokość 368 mm	
Wysokość 296 mm	Zasilanie elektryczne 230V, 50 Hz
Wymiary komory	Bezpiecznik 10 A
Szerokość 282 mm	Pobór mocy 1200W
Głębokość 282 mm	
Wysokość 206 mm	Moc użyteczna 700W

PRZED WŁĄCZENIEM

Rozpakowanie

Podczas rozpakowywania kuchni należy sprawdzić, czy nie jest ona uszkodzona. Uszkodzenia lub braki w wyposażeniu należy natychmiast zgłosić w jednostce handlowej, gdzie dokonaliście Państwo zakupu. Kuchnia, jej wyposażenie lub akcesoria mogą być opakowane w folię zabezpieczającą. Jeśli tak, należy usunąć ją przed pierwszym użyciem kuchni mikrofalowej. Nie należy pozostawiać elementów opakowania w miejscach dostępnych dla dzieci. Materiał, z którego wykonane są elementy opakowania może być zagrożeniem dla dzieci.

Instalacja

1. Usunąć z drzwi naklejki reklamowe, jeżeli znajdują się na urządzeniu.
2. Kuchnię należy umieścić i zainstalować na płaskiej, wypoziomowanej powierzchni, która będzie w stanie utrzymać ciężar kuchenki (14 kg) wraz z jej zawartością. Aby uniknąć wibracji lub hałasu podczas pracy zalecamy ustawienie urządzenia w pozycji stabilnej.
3. Kuchnia nie powinna stać w pobliżu źródeł ciepła i wody. Jeżeli urządzenie będzie narażone na oddziaływanie ciepła lub wody, może to obniżyć jego efektywność, a nawet spowodować awarię.
4. Prosimy zwrócić uwagę na swobodny przepływ powietrza wokół otworów wentylacyjnych. Nie stawiać żadnych przedmiotów na górnym blacie urządzenia. Zablokowanie otworów wentylacyjnych może prowadzić do przegrzania kuchni, a to z kolei do niewłaściwego funkcjonowania bądź uszkodzenia urządzenia. Otwory wentylacyjne odprowadzają gorące powietrze, dlatego należy umożliwić jego swobodny przepływ (np. między kuchnią, a ścianą pomieszczenia nie mogą znajdować się zasłony itp.).
5. Kuchnię należy umieścić z dala od odbiorników radiowych i telewizyjnych. Urządzenie to odpowiada normom UE dotyczącym eliminacji zakłóceń radiowych, lecz mogą one się pojawić, jeżeli ustawicie Państwo kuchenkę zbyt blisko radiodbiornika lub telewizora.
6. Jeżeli kuchnia będzie usytuowana w rogu pomieszczenia, należy pozostawić szczelinę o szerokości przynajmniej 10 cm przy ścianie z prawej strony.

UWAGA: Kuchnia może być ustawiona w prawie każdym miejscu kuchni. Musi ona mieć jednak zapewnioną płaską, równą powierzchnię i odpowiednią wentylację. W tym celu należy upewnić się, że otwory wentylacyjne nie są zablokowane bądź przysłonięte (także w części spodniej).

*** To urządzenie odpowiada normom EWG odnośnie eliminacji zakłóceń radiowych - rozporządzenie 87/308/EEC**

Podłączenie do zasilania

Kuchnia jest wyposażona w przewód zasilający z wtyczką dla 220-230 V, 50 Hz. Należy ją podłączyć do gniazdka ze stykiem uziemiającym i sprawdzić, czy napięcie dla którego urządzenie jest zaprojektowane odpowiada napięciu w sieci elektrycznej.

Nie używać przedłużaczy do podłączenia kuchni.

UWAGA! Kuchnia musi być podłączona do gniazdka z uziemieniem.

Jeżeli mają Państwo wątpliwości dotyczące podłączenia kuchni do sieci elektrycznej bądź zabezpieczenia uziemiającego, proszę skontaktować się z uprawnionym elektrykiem.

Podłączenie elektryczne

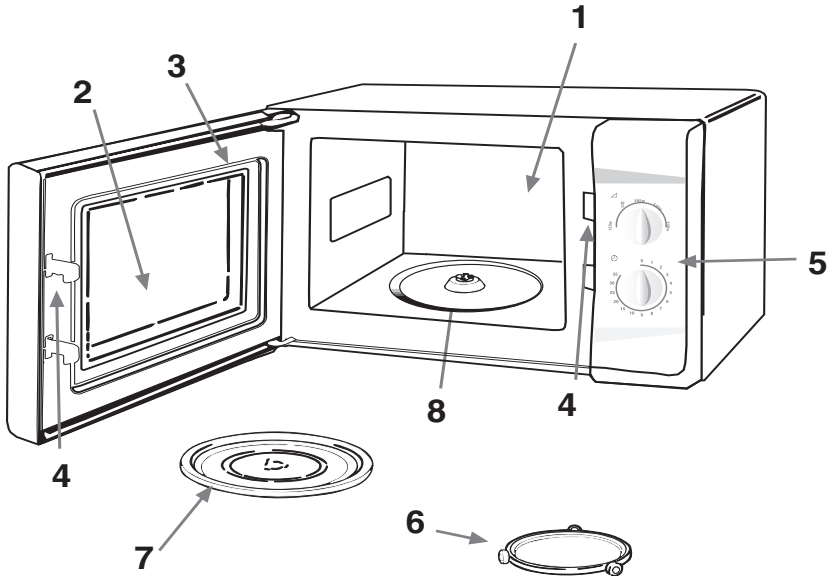
Urządzenie jest wyposażone w standardową wtyczkę przewodu zasilającego

UWAGA! URZĄDZENIE MUSI BYĆ UZIEMIONE.

Producent nie ponosi odpowiedzialności w przypadku usterek spowodowanych nieprzestrzeganiem przepisów bezpieczeństwa.

Urządzenie podłączyć do gniazdka z uziemieniem (zabezpieczenie 13 A).

Obsługa kuchni mikrofalowej



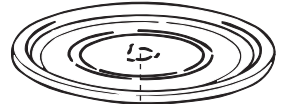
Elementy

1. Komora kuchni mikrofalowej. Wyczyścić i wytrzeć po każdym użyciu.
2. Okno, przez które można sprawdzać stan przygotowania potrawy.
3. Drzwi. Należy je dokładnie zamykać.
4. Zaczepy zatrzaskowe i blokada drzwi.
5. Panel sterujący.
6. Podstawa obrotowa talerza; umieszczana w dolnej części kuchni pod talerzem
7. Talerz obrotowy wykonany ze specjalnego szkła żaroodpornego. Na talerz należy postawić odpowiednie naczynie z potrawą. Nie używać kuchni bez talerza obrotowego.
8. Zaczep dla talerza obrotowego

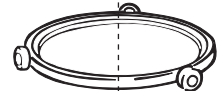
Podstawa obrotowa / talerz

1. Podstawę obrotową umieścić w dolnej części kuchni.
 2. Talerz obrotowy położyć na podstawie, w sposób pokazany na rysunku. Należy upewnić się, że talerz został odpowiednio zamocowany w wypustce. **Nie wolno kłaść talerza w położeniu odwrotnym.**
 - Zarówno talerz, jak i jego podstawa muszą znajdować się w kuchni podczas jej pracy.
 - Produkty oraz pojemniki umieszczamy zawsze na talerzu obrotowym.
- Talerz obraca się w prawą i w lewą stronę; jest to zjawisko normalne. Nie obracać talerza ręcznie, gdyż można uszkodzić mechanizm obrotowy.

Talerz obrotowy



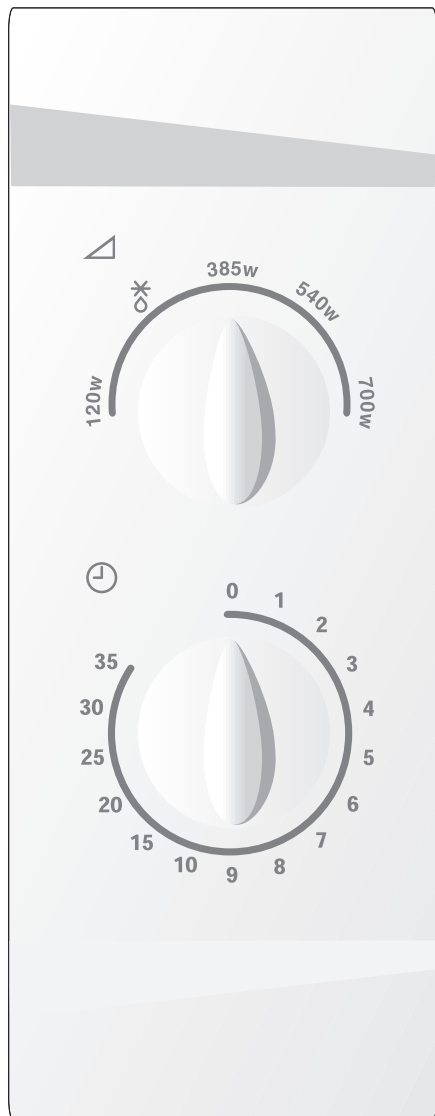
Podstawa obrotowa



Zaczep dla talerza



PANEL STERUJĄCY



1. Pokrętko wyboru mocy

Służy do wyboru poziomu mocy mikrofal.

2. Pokrętko zegara

Służy do ustawienia czasu gotowania. Najpierw należy ustawić nieco dłuższy czas, po czym powrócić do prawidłowej wartości.

GOTOWANIE MIKROFALOWE

1. Otworzyć drzwi, na talerzu obrotowym położyć potrawę w naczyniu. Zamknąć drzwi.
2. Pokrętem wyboru mocy ustawić wymagany poziom (patrz poniższa tabela).
3. Pokrętem zegara ustawić czas gotowania.
Rozpocznie się gotowanie.

Aby wyłączyć urządzenie w trakcie pracy, należy obrócić pokrętkę zegara do położenia 0.


Uwaga: Po zakończeniu gotowania należy upewnić się, że pokrętkę zegara znajduje się w położeniu 0. W przeciwnym razie kuchnia będzie nadal pracowała.

Jeżeli czas gotowania jest krótszy niż 2 minuty, należy ustawić dłuższy czas, a następnie powrócić do prawidłowej wartości.

Przykład: Gotowanie - 540W przez 15 minut


1. Pokrętkę wyboru mocy ustawić na 540W.
2. Pokrętkę zegara ustawić na 15.
3. Kuchnia będzie pracowała przez 15 minut z mocą na poziomie 540W.

Tabela ustawień

Poziom mocy	Proponowane użycie
120W	Utrzymywanie w ciepłe
 0 (230W)	Rozmrażanie
350W	gotowanie i podgrzewanie delikatnych potraw, zapiekane pieczenie ciast z serem
540W	Pieczenie ciast; przyrządzanie budyniu
700W	Gotowanie lub podgrzewanie płynów. Gotowanie warzyw.

Wskazówki dotyczące rozmrażania (230W)

Niektóre produkty (pieczywo i owoce) można rozmrażać przy ręcznym ustawieniu mocy.

PRODUKT	PRZYGOTOWANIE		CZAS "ODCZEKANIA"
Pieczywo			
Mały bochenek	Położyć na papierze kuchennym lub naczyniu do mikrofalówki; obrócić w połowie czasu odmrażania.	8–10 min.	10–15 min.
Duży bochenek (krojony)	Położyć na papierze kuchennym lub naczyniu do mikrofalówki; obrócić w połowie czasu odmrażania.	10–13 min.	10 min
2 kromki	Położyć na papierze kuchennym.	45–60 sek.	5 min.
1 bułka	Położyć na papierze kuchennym.	45–60 sek.	5 min.
2 bułki	Położyć na papierze kuchennym.	1–1 1/2 min.	5 min.
Ciasta i wyroby cukiernicze			
Sernik (450 g)	Zdjąć opakowanie, ułożyć na talerzu.	9–11 min.	15–30 min.
Ciasto (upieczone) (450 g)	Zdjąć opakowanie, ułożyć na talerzu.	7–9 min.	15–30 min.
Placek (450 g)	Zdjąć opakowanie, ułożyć na talerzu.	7–9 min.	15–30 min.
Masło			
250 g (1 kostka)	Jeżeli opakowane w folię – zdjąć i położyć na talerzu	3–4 min.	5–10 min.
Owoce			
Drobne owoce (225 g)	Ułożyć jedną warstwę na płytkim talerzu	5–6 min.	5–10 min.
Drobne owoce (450 g)	Ułożyć jedną warstwę na płytkim talerzu	7–8 min.	5–10 min.
Dania gotowe			
400 g	Przykryć talerzem lub specjalną folią do mikrofalówek; aby podgrzać – włączyć mikrofałe na 100% (700W) na 3-4 minuty	7–8 min	5–10 min.
Warzywa			
	Nie ma konieczności odmrażania warzyw przed gotowaniem. Wszystkie warzywa można ugotować przy ustawieniu 100% (700W)		

Praktyczne wskazówki

- Kuchnię należy utrzymywać w czystości – wycierać po każdym użyciu (także podstawę obrotową i wewnętrzną stronę drzwi).
- Do gotowania mikrofalowego używać okrągłych lub owalnych naczyń z pokrywkami.
- Nie używać naczyń metalowych lub z metalowymi elementami. Niektóre rodzaje naczyń lub opakowań plastikowych mogą się stopić podczas gotowania w kuchni mikrofalowej.
- Produkty należy przykryć podczas gotowania. Użyć szklanej pokrywki lub talerza.
- Chleb można rozmrażać na papierowym ręczniku.
- Jeżeli mrozonki są podgrzewane w swoich oryginalnych opakowaniach, należy je otworzyć. Opakowania z elementami metalowymi mogą być umieszczane w kuchni mikrofalowej tylko wtedy, gdy ich producent żywności to zalecił. Zdjąć metalowe klipsy.
- Delikatne kawałki np. skrzydełka lub nóżki kurczaka należy okryć kawałkami folii aluminiowej, aby uniknąć przegrzania lub spalania.
- Produkty posiadające nieporowatą skórę bądź powłokę (takie jak: jabłka, ziemniaki, wątróbki drobiowe, żółtka jaj, kiełbaski) wymagają wcześniejszego nakłucia zewnętrznej warstwy, aby zapobiec tworzeniu się pary lub ewentualnemu poparzeniu.
- Nie gotować jaj, gdyż mogą eksplodować!
- Większe kawałki żywności umieszczać po zewnętrznej stronie naczynia. Starać się gotować żywność porcjowaną w mniejsze kawałki. Żywność układać na środku talerza obrotowego.
- Żywność będzie ugotowana równomiernie, jeżeli będzie obracana lub mieszana podczas gotowania.
- Należy nieco skracać czas przygotowania potrawy wskazany przez producenta, aby uniknąć rozgotowania. Im większe kawałki żywności, tym dłuższy czas jest czas ich gotowania.
- Do gotowania warzyw należy dodawać jak najmniejsze ilości wody (lub gotować bez wody).
- Używać mniej soli i innych przypraw, niż w przypadku gotowania tradycyjnego.
- Żywność przygotować po wyjęciu z kuchni mikrofalowej.
- Po zakończeniu gotowania należy zachować „czas odczekania”, aby potrawy były równomiernie ugotowane.
- Po wyjęciu z kuchni potrawy sprawdzić, czy jest już wystarczająco gorąca (ugotowana równomiernie).
- Przy wyjmowaniu naczyń i potraw z kuchni należy zawsze używać rękawic ochronnych.

Porady

- **Miód**
Jeżeli miód w słoiku uległ krystalizacji należy zdjąć pokrywkę i włożyć słoik do kuchni, podgrzewać falami mikrofalowymi przy średnim ustawieniu przez 2 minuty.
- **Topienie czekolady**
Podzielić tabliczkę 100 g na kostki, włożyć do miski i podgrzewać na najwyższej mocy przez 1-2 minuty, mieszać.
- **Topienie lub zmiękczenie masła**
Stopienie masła na najwyższym poziomie mocy; zmiękczenie – przy najniższym poziomie mocy.
- **Odświeżanie lub podgrzewanie pieczywa**
Średni poziom mocy przez kilka sekund.
- **Obieranie czosnku**
3 lub 4 ząbki czosnku ogrzewać na najwyższym poziomie mocy przez 15 sekund.
- **Sok owocowy**
Owoce będą bardziej soczyste po podgrzaniu na najwyższym poziomie mocy przez 15 sekund, przed wyciśnięciem

Konserwacja i czyszczenie

Kuchnia mikrofalowa musi być utrzymywana w czystości. Nieusunięte resztki produktów niepotrzebnie pochłaniają energię mikrofalową oraz ulegają przypaleniu.

To przyczynia się do zmniejszenia wydajności urządzenia oraz powstawania nieprzyjemnych zapachów. Żadne czynności naprawcze czy regulacyjne nie powinny być dokonywane we własnym zakresie. Naprawy mogą być przeprowadzane wyłącznie przez techników autoryzowanych zakładów serwisowych.

Przed przystąpieniem do czyszczenia należy upewnić się, czy kuchnia jest wyłączona //lub odłączona od zasilania.

Czyszczenie akcesoriów (talerz i podstawa)

Czyścić delikatnymi środkami po wyjęciu z kuchni; należy ostrożnie obchodzić się z podstawą talerza obrotowego.

UWAGA: Wnętrze kuchni oraz talerz są bardzo gorące, więc nie należy ich dotykać bezpośrednio po zakończeniu cyklu gotowania.

Czyszczenie wnętrza kuchni

Kuchnię należy utrzymywać w czystości. Natychmiast usuwać pozostałości produktów żywnościowych ze ścianek, uszczelek, powierzchni uszczelniających, gdyż powodują one nadmierną absorpcję energii mikrofalowej, przyczyniając się do zmniejszenia jej efektywności, a nawet powstania poważnej usterki. Do czyszczenia stosować delikatne detergenty płynne, ciepłą wodę oraz miękkie i czyste ściereczki.

NIE NALEŻY UŻYWAĆ ŚRODKÓW ŚCIERNYCH, PRZEMYSŁOWYCH, STALOWYCH ZMYWAKÓW DO ŻADNEGO Z ELEMENTÓW KUCHNI MIKROFALOWEJ.

W celu usunięcia mocnych zabrudzeń można gotować w kuchni szklankę wody przez 2 - 3 minuty.

DO USUWANIA ZANIECZYSZCZEŃ NIE UŻYWAĆ NOŻY I INNYCH OSTRYCH NARZĘDZI.

W celu usunięcia nieprzyjemnego zapachu należy gotować w kuchni szklankę wody z 2 łyżkami soku z cytryny przez 5 minut.

Czyszczenie elementów zewnętrznych

Podczas czyszczenia elementów panelu sterującego należy otworzyć drzwi, co zapobiegnie przypadkowemu włączeniu kuchni. Elementy zewnętrzne należy czyścić łagodnymi środkami (także uniwersalnymi środkami w sprayu), ciepłą wodą i osuszać miękką szmatką.

Nie wolno stosować środków ściernych, szorstkich zmywaków do naczyń, czy też szorstkich środków chemicznych. Podczas czyszczenia prosimy zwrócić uwagę, aby do otworów wentylacyjnych nie dostała się woda.

Serwis i części zamienne

Jeżeli kuchnia nie działa prawidłowo przed wezwaniem serwisu proszę sprawdzić, czy usterki nie można usunąć samodzielnie.

Nie można uruchomić kuchni:

- Sprawdzić, czy urządzenie jest prawidłowo podłączone do zasilania elektrycznego.
- Sprawdzić, czy wtyczka jest prawidłowo włożona do gniazdka.
- Jeśli to konieczne, wymienić bezpiecznik (na sprawny, o tych samych parametrach).
- Sprawdzić, czy przełącznik (gniazdko ścienne lub inny punkt obwodu) znajduje się w pozycji ON (włączony).
- Sprawdzić, czy w gniazdku jest napięcie (poprzez podłączenie innego, sprawnego urządzenia).
- Sprawdzić bezpiecznik w skrzynce.

Kuchnia nie podejmuje pracy:

- Sprawdzić, czy włączono zabezpieczenie przed przypadkowym uruchomieniem przez dzieci (dostępne w niektórych modelach).
- Sprawdzić wykonane ustawienia.
- Sprawdzić, czy ustawienia zostały dokonane zgodnie z opisem w instrukcji obsługi.
- Sprawdzić, czy prawidłowo zamknięto drzwi (oraz czy zamknięciu nie przeszkadzają resztki produktów).
- Sprawdzić, czy przycisk Start został wciśnięty.

Jeżeli wykonanie powyższych czynności nie przyniosło efektu i kuchnia nadal nie funkcjonuje, należy skontaktować się z najbliższym autoryzowanym zakładem serwisowym Zanussi.

UWAGA: Koszt wezwanie technika z powodu usterki wymienionej powyżej lub nieprawidłowej obsługi / instalacji urządzenia pokrywa klient, nawet w czasie trwania gwarancji.

Jeżeli będą Państwo zamawiali usługi serwisowe lub części zamienne, prosimy o podanie następujących informacji:

1. objawy usterki
2. oznaczenie modelu
3. numer seryjny/produktu
4. data zakupu

Zalecamy zapisanie tych informacji poniżej:

Model : **ZM17ML**

Numer seryjny:

Data zakupu:

Jeżeli urządzenie podlega gwarancji, przed wezwaniem serwisu należy sprawdzić, czy usterki nie można usunąć samodzielnie. Wizyta będzie odpłatna, gdy usterka nie będzie miała charakteru mechanicznego lub elektrycznego.

W razie naprawy w czasie gwarancji należy udostępnić dowód zakupu urządzenia.

Części zamienne

Części zamienne można nabyć w autoryzowanych zakładach serwisowych.

Serwis

Informacji o produktach udziela producent. W przypadku wątpliwości dotyczących działania urządzenia, należy zwrócić się do autoryzowanego serwisu.

WARUNKI GWARANCJI

Warunki udzielonej gwarancji znajdują się w karcie gwarancyjnej, którą otrzymali Państwo przy zakupie urządzenia.

Obsah

Dříve než začnete mikrovlnnou troubu používat	4
Bezpečnostní pokyny	4
- Bezpečnost nádobí	4
- Zkoušení vhodnosti kuchyňského nádobí	5
- Bezpečnost potravin	5
- Návod na použití nádobí a příslušenství trouby	6
Technické údaje	6
Příprava pro užívání	7
- Vybalení	7
Instalace	7
- Připojení na hlavní elektrický rozvod	7
- Elektrické připojení	7
Jak provozovat vaší mikrovlnnou troubu	8
- Popis a funkce jednotlivých dílů	8
- Instalace otočného talíře	8
- Ovládací panel	9
- Příprava pokrmů v mikrovlnné troubě	10
- Průvodce nastavování výkonu mikrovlnné trouby	10
- Návod na rozmrazování při výkonu 230W	11
- Rady pro použití mikrovlnné trouby	12
- Péče a čištění trouby	13
- Čištění příslušenství (otočný talíř a vozík)	13
- Čištění interiéru	13
- Čištění exteriéru	13
Servis a náhradní díly	14
Záruční podmínky	15
Záruka, servis a náhradní díly	16

Blahopřejeme vám k nákupu vaší nové mikrovlnné trouby

Děkujeme vám, že jste si vybrali produkt firmy Zanussi. Jsme přesvědčeni, že shledáte tuto novou mikrovlnnou troubu užitečnou a že vám bude výtečným pomocníkem. Bude to vyžadovat nějaký čas se naučit všechny funkce a možnosti vašeho nového kuchyňského pomocníka, stejně, jako jste na to zvyklí u každého nového kuchyňského spotřebiče.

Dříve než začnete mikrovlnnou troubu používat

Přečtěte si pečlivě celý návod k obsluze a ujistěte se, že při používání vaší nové mikrovlnné trouby Zanussi postupujete podle něj a dosáhli jste tak co nejlepšího výsledku.

Je důležité, aby tato příručka byla uchovávána pro následující použití spolu se spotřebičem. V případě prodeje trouby jinému vlastníkovi nebo kdyby jste se někdy stěhovali, vždy se prosím ujistěte, že tato příručka je v blízkosti spotřebiče i na novém místě a aby i její nový vlastník se mohl s seznámit s jejím obsahem.

Bezpečnostní pokyny

- Vestavěné spínače bezpečnostního blokování zabraňují provozování mikrovlnné trouby, když jsou dvířka spotřebiče otevřena.
- Nemanipulujte s nimi a ani se nepokoušejte provozovat troubu s otevřenými dvířky. Provoz s otevřenými dvířky může mít za následek se vystavení záření mikrovlnné energie.
- Nedovolte, aby se na povrchu těsnění dveří nashromáždily zbytky pokrmů nebo čisticího prostředku. Viz část Péče a čištění, kde jsou pokyny pro údržbu uvedeny.
- Nedovolte používat poškozenou troubu do doby než je opravena kvalifikovaným servisním technikem.
- Je obzvláště důležité, aby se dvířka trouby dobře zavírala a nedošlo k poškození: (1) dvířek (pokroucení), (2) závěsů a zámků (poškození nebo nespolehlivost) (3) těsnění dveří nebo povrchu vlastního těsnění.
- V žádném případě se nepokoušejte troubu opravit svépomocí. Pokusy o opravu nezkušenými osobami mohou vést ke zranění osob nebo k vážnému poškození trouby. Vždy kontaktujte váš místní autorizovaný servis.
- Nikdy nesnímejte vnější kryt, dvířka nebo ovládací panel. Takové jednání vás může vystavit nebezpečí dotyku vysokého napětí.
- Instalujte resp. umístěte tuto troubu pouze v souladu s pokyny pro instalaci, uvedenými v této příručce.
- Tento spotřebič používejte pouze k účelům ke kterým je určen a jak je popsáno v této příručce. V mikrovlnné troubě nepoužívejte přípravky způsobující korozi. Tento typ trouby je speciálně určen pro ohřev, vaření a rozmrazování potravin. Není určen pro průmyslové, laboratorní nebo komerční použití. Každé takové použití by mělo za následek ztrátu záruky na tento spotřebič.
- Nepoužívejte troubu prázdnou. Jestliže není v troubě potravina nebo voda, která absorbuje vyzářované mikrovlnné záření, může se poškodit mikrovlnný zářič (magnetron).
- V případě, že trouba je používána dětmi, je nutné zajistit dohled dospělých.
- Neskladujte spotřebič ve venkovním prostředí. Nepoužívejte ho v blízkosti vody.
- Nepokoušejte se sušit v troubě prádlo nebo papír. Tyto materiály se mohou vznítit.
- Nepoužívejte vnitřní prostor trouby pro skladování. Nenechávejte výrobky z papíru, kuchyňské potřeby nebo potraviny v troubě, když ji nepoužíváte.

Bezpečnost nádobí

Většina výrobků ze skla, sklokeramiky a žáruvzdorného skla je pro použití v mikrovlnné troubě velice vhodná. Přestože mikrovlnná energie tyto výrobky neohřívá, mohou se ohřát přenosem tepla od v nich ohřátých potravin. Používejte proto pro vyjímání nádob rukavice, určené pro troubu.

Zkoušení vhodnosti kuchyňského nádobí

- Umístěte nádobí do mikrovlnné trouby spolu se sklenicí do poloviny naplněnou vodou. Ohřívejte ji po dobu 1 minuty při výkonu 700W (100%). Jestliže se vám nádobí zdá horké, neměli by jste je pro přípravu pokrmů v mikrovlnné troubě používat. Jestliže se vám zdá vlažné, můžete je používat pro opětovný ohřev, ale ne pro vaření. Má-li pokojovou teplotu, je vhodné pro použití v mikrovlnné troubě.
 - Velice vhodné pro použití jsou papírové ubrusky, voskový papír, papírové utěrky, kelímky, krabičky, tácky a kartóny zmrazených potravin. Vždy se přesvědčete, zda jsou plné potravin, aby mohly absorbovat energii a nedocházelo tak k přehřívání.
 - Také mnoho typů plastových talířů, táček, šálků a krabic, spolu s plastovými obaly zmrazených potravin lze v mikrovlnné troubě používat. Vždy dbejte návodu výrobce, budete-li plast používat v troubě. Nepoužívejte plastikové nádobí pro potraviny s vysokým obsahem tuku nebo cukru.
- Tento typ potravin se ohřeje na vysokou teplotu a plastové obaly by se mohly začít deformovat nebo tavit.
- Nikdy nenechávejte troubu bez dozoru, když v ní ohříváte nebo vaříte pokrmy uložené v papírových, plastových nebo jiných hořlavých materiálech. Když zpozorujete kouř unikající z trouby, tak ji neotvírejte, ale troubu vypněte a počkejte do doby než tvorba kouře ustane.
 - Kovové nádobí nebo nádobí s kovovými díly a ozdobami nesmí být v mikrovlnné troubě používáno, není-li výslovně určeno pro toto použití.
 - Obaly nebo zásobníky s pevnými uzávěry (např. lahve) nesmějí být v troubě používány pro vaření mikrovlnným zařízením.
 - Buďte opatrní při snímání vík či poklopů nádob po tepelné přípravě pokrmu či nápoje, náhle uniklá pára by mohla způsobit opaření.

Bezpečnost potravin

- Nikdy neohřívejte v troubě potraviny v plechovkách. Vždy přendejte potravinu do vhodné nádoby.
 - Mikrovlnná trouba není vhodná pro smažení na tuku, protože nelze dobře kontrolovat teplotu oleje a tím by mohlo docházet k nebezpečným situacím.
 - Popcorn lze připravovat pouze v nádobí k tomu určenému nebo v originálním balení, které je výslovně určeno pro mikrovlnný ohřev. Přípravu popcornu mějte vždy pod dohledem.
 - Potraviny s pevnou slupkou, kůží propíchejte, aby jste tak zabránily roztržení způsobeným nahromaděnou párou pod povrchem. Jablka, brambory, kuřečí játra a vaječné žloutky jsou typické příklady potravin, které musí být propíchané.
- Upozornění:** Ohříváte-li v troubě kapaliny, jako např. polévky, omáčky a nápoje které se mohou ohřát nad teplotu varu bez typického projevu varu (bubláním). Jedná se o tzv. utajený var a ten se projevuje okamžitým prudkým varem. Aby jste zabránili tomuto efektu, postupujte dle tohoto návodu:
1. Nepoužívejte nádoby s ostrými vnitřními hranami a úzkými hrdly.
 2. Pokrmy nepřehřívejte.
 3. Zamíchejte kapalinu v nádobě, před jejím vložením do trouby. Opětovně ji zamíchejte v polovině doby plánované doby ohřevu.
 4. Po ohřátí ponechte nádobu s kapalinou chvíli v troubě "odpočinout", poté ji před opatrným vyjmutím z trouby opět zamíchejte.
- Některé potraviny, jako například celá vejce ve skořápce nebo uzavřené zavařovací sklenice mohou v troubě explodovat. Proto je nikdy v troubě neohřívejte. Někdy i ztracená vejce (vajčeka bez skořápky) mohou v troubě během přípravy explodovat. Proto vždy propíchněte žloutek, přiklopte víko a po přípravě jej nechejte ještě 1 minutu přiklopené.

Poznámka:

- Nepokoušejte se silou otáčet otočným talířem uvnitř trouby. Můžete tím způsobit její vážné poškození.
 - Jestliže při mikrovlnném ohřevu použijete kovové nádobí, tak se bude uvnitř trouby obvykle jiskřit. Zatavte probíhající ohřev a zkontrolujte nádobí. Budete-li pokračovat v přípravě pokrmu během jiskření, můžete troubu vážně poškodit.
 - Dbejte, aby nedocházelo k ucpání ventilačních otvorů, umístěných na horní, spodní, zadní a obou bočních stranách trouby.
- Nepoužívejte tuto troubu pro komerční účely.**
- Tato mikrovlnná trouba je vyrobena a určena pouze pro použití v domácnostech.**
- Dodržujte tento návod k použití.**

Návod na použití nádobí a příslušenství trouby

Ve vaší mikrovlnné troubě může být používána poměrně široká škála druhů nádobí vyrobených z různých materiálů. Abyste zabránili jak poškození použitých pomůcek a nádobí, tak i vlastní trouby, používejte pouze ty druhy, které jsou pro konkrétní způsob přípravy doporučené.

Seznam v tabulce byl připraven pro vaši orientaci.

Materiál	Nádobí	Mikrovlnné vaření
Keramika a sklo	tvrzeň sklo	ANO
	žárovzdorné sklo	ANO
	sklo s kovovým dekorem	NE
	olovnatý křišťál	NE
Porcelán	bez kovového dekoru	ANO
Pálená hlína		ANO
Plasty	tepluvzdorné pro mikrovlnné trouby	ANO
	plastové obaly	ANO
Kovy	pečicí pánve	NE
	hliníkové fólie*	ANO
Papír	šálky, talířky, ubrousky	ANO
	voskový papír	ANO
Dřevo		NE
Příslušenství	otočný talíř	ANO
	vozik talíře	ANO

ANO: Nádobí a příslušenství vhodné pro použití

NE: Nádobí a příslušenství nevhodné pro použití

- **Poznámka :** Hliníkovou fólii používejte pouze za účelem stínění mikrovlnného záření , nadbytečné množství alobalu může způsobit vznik elektrického oblouku.

Technické údaje

Celkové rozměry	Hmotnost: 14kg
šířka 459 mm	Objem: 17 litrů
hloubka 368 mm	Napájení 230V, 50Hz
výška 296 mm	
Rozměry vnitřního prostoru	Jištění 10A
šířka 282 mm	Příkon mikrovlnné trouby 1200W
hloubka 282 mm	
výška 206 mm	Výkon mikrovlnné trouby 700W

Příprava pro používání

Vybalení

Poznámka: Když troubu vybalíte, zkontrolujte, že není poškozená. Zjištění vady nebo chybějící díly je třeba co nejrychleji nahlásit vašemu prodejci. Trouba, součásti trouby a příslušenství mohou být zabaleny do ochranné fólie. Je-li tomu tak, je nutné ji před použitím trouby odstranit. Neponechávejte obalové materiály volně dostupné malým dětem, aby si s nimi mohli hrát. Mohlo by to být velice nebezpečné.

Instalace mikrovlnné trouby

1. Odstraňte z dvířek všechny reklamní samolepky.
2. Troubu instalujte na plochou vodorovnou plochu. Nosnost plochy musí být dostatečná, aby mohla unést celou hmotnost trouby (14kg) a i její obsah. Aby nedocházelo k rušivému chvění nebo nežádoucímu hluku, musí být trouba položena ve stabilní poloze.
3. Troubu instalujte v dostatečné vzdálenosti od tepla a vody. Vystavení trouby účinkům vody a tepla může snížit její účinnost a nebo zapříčinit vznik poruchy. Proto se ujistěte, že trouba je instalována mimo zdroje vody a tepla.
4. Neblokujte větrací otvory nahoře a po stranách trouby a ani na ní nepokládejte žádné předměty. Nebudou-li větrací otvory během provozu volné, trouba se může přehřát a to může vést až ke vzniku závady. Během provozu trouby bude unikat z větracích otvorů horký vzduch, proto dbejte na to aby větrací otvory byly volné a aby se například záclona nedostala mezi zed' a zadní část trouby.
5. Troubu umístěte co nejdále od televizních a rádiových přijímačů. Přestože tato trouba vyhovuje požadavkům evropské normy EEC * o úrovni rádiového rušení, tak by přesto v případech umístění trouby příliš blízko k jmenovaným přijímačům mohlo docházet k rušivým interferencím (rušení televizního nebo rádiového signálu). Proto troubu umístěte co nejdále od nich.
6. Umístíte-li troubu do rohu, ponechteje mezi stěnou trouby a zdí minimálně 10 cm pro zaručení dobré ventilace.

Důležité! Tuto troubu můžete umístit prakticky kdekoli v kuchyni. Ujistěte se ale, že je trouba instalována na plochém a vodorovném povrchu a že větrací otvory trouby a prostor pod troubou je dostatečný a volný pro dobré odvětrávání.

* Tento spotřebič splňuje požadavky evropské normy EEC Předpis o rádiovém rušení 87/308/EEC.

Připojení na elektrický rozvod

Mikrovlnná trouba je dodána s kabelem a zástrčkou pro 230V, 50Hz pro zásuvku se zemnicím kolíkem. Ochrana zemněním minimalizuje nebezpečí vzniku zkratu. Před připojením se přesvědčete, že napětí v síti odpovídá hodnotě uvedenou pro tento spotřebič.

Upozornění: Je-li nutné použít pro zapojení prodlužovací šňůru, přesvědčete se, že prodlužovací kabel je vybaven zemnicím vodičem.

Pozor! Tento spotřebič nesmí být používán v elektrické síti bez jistění zemněním.

Kontaktujte elektrikáře v případě, že si nejste jisti se zapojením nebo nevíte-li zda váš elektrický obvod je jistěn zemněním.

Tento spotřebič musí být uzemněn. Jestliže zástrčka vaší trouby neodpovídá zásuvce vašeho elektrického rozvodu, je třeba ji odříznout a nahradit ji vhodnou náhradní zástrčkou.

Elektrické připojení

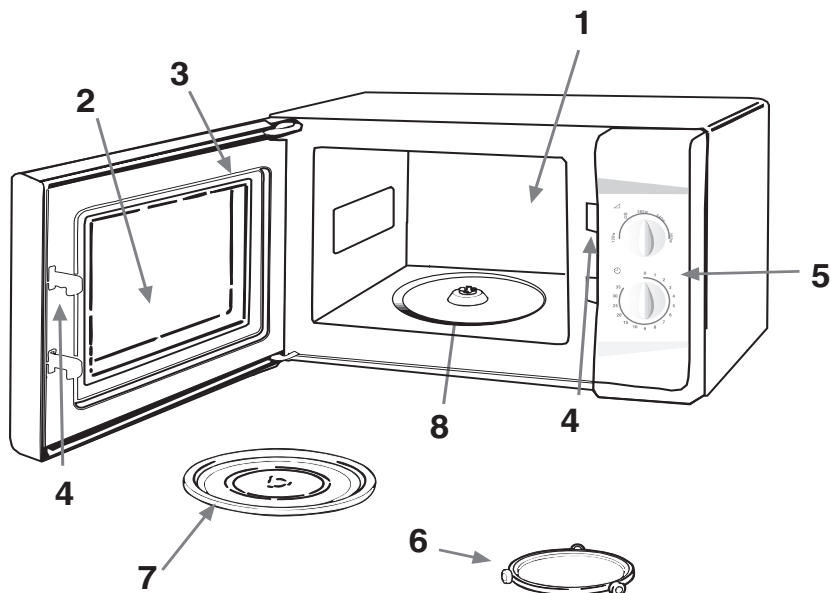
Tento spotřebič je standardně dodáván s dvoukolíkovou EURO zástrčkou.

Pozor! Tento spotřebič musí být uzemněn.

Výrobce odmítá jakoukoliv odpovědnost za nedodržení tohoto bezpečnostního předpisu.

- Je-li zástrčka, která byla dodána se spotřebičem, nevyhovující, musí být odříznuta a nahrazena jinou vhodnou.

Jak provozovat vaší mikrovlnou troubu



Popis a funkce jednotlivých dílů

1. Vlastní prostor trouby. Po použití tento prostor dobře vyčistěte.
2. Průhledné okénko, pomocí něhož je možné kontrolovat přípravu pokrmu
3. Dvířka trouby, které při provozu trouby musí být vždy pevně uzavřeny
4. Západky zámku a bezpečnostní blokovací systém
5. Ovládací panel
6. ηοζώκ οτοινώηο ταλώε. Πολοέτε ηο να δνο τρουβψ, τακ αβψ μοηλ νόστ οτοινώ ταλώε
7. Otočný talíř. Je vyroben ze speciálního žáruvzdorného skla. Pokrm ve vhodné nádobě pokládejte na tento talíř. Nepoužívejte troubu bez tohoto otočného talíře.
8. Hnací hřídel otočného talíře

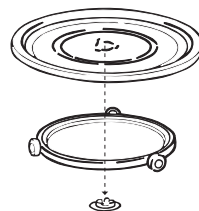
Instalace otočného talíře

1. Vložte vozík otočného talíře na dno vnitřního prostoru.
2. Položte otočný talíř navrch vozíku jak je naznačeno na obrázku. Ujistěte se, že středový výstupek bezpečně zapadl do hnací hřídele. **Nikdy nesmíte položit otočný talíř obráceně.**
 - Otočný talíř s vozíkem musí být vždy použitý během užívání trouby
 - Veškeré potraviny a nádoby s potravinami musí být vždy položeny na tomto otočném talíři
 - Otočný talíř se otáčí jak ve směru tak i proti směru hodinových ručiček a je to normální funkce tohoto zařízení.

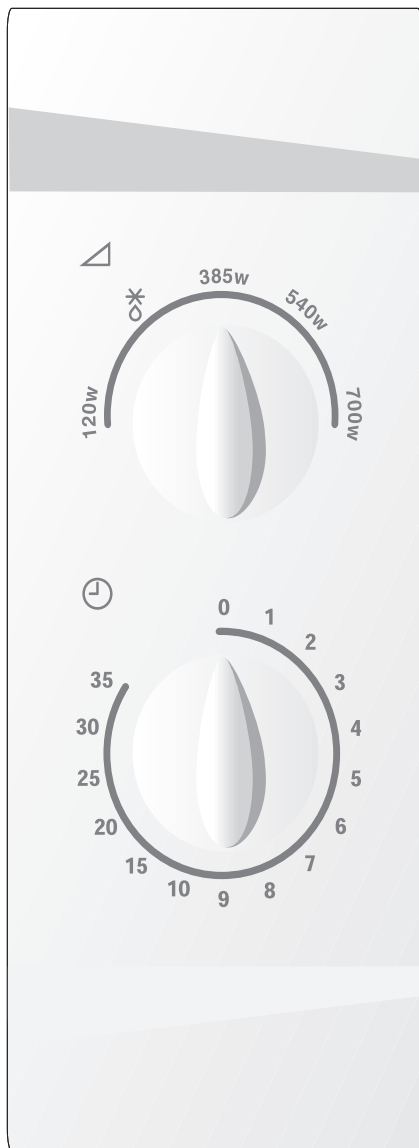
otočný talíř

vozík

hnací hřídel



Ovládací panel



1. Volič výkonu

Nastavte otočný ovladač na požadovanou hodnotu výkonu.

2. Časovač (minutka)

Nastavuje požadovaný čas. Zahajuje práci trouby. Pro dosažení přesného nastavení času doporučujeme otočit minutku na plno a pak vrátit na požadovanou hodnotu.

Příprava pokrmů v mikrovlnné troubě

1. Otevřete dveře trouby, vložte pokrm na otočný talíř. Zavřete dveře trouby.
2. Nastavte volič výkonu na požadovanou hodnotu. (viz tabulka dole)
3. Na minutce nastavte požadovaný čas přípravy pokrmu.

Trouba začíná pracovat

Jestliže doba přípravy pokrmu je kratší než 2 minuty, natočte minutku na delší čas a pak ji vraťte na požadovanou hodnotu.

Jestliže chcete troubu vypnout, otočte minutku na nulu (0).

Poznámka: Po použití se ujistěte, že minutka je nastavená na nulu. V opačné, případě by dále pracovala.

Příklad: Vařit při výkonu 540W po dobu 15 minut

1. Otočte volič výkonu na 540W
2. Minutku otočte na hodnotu 15.
3. Trouba tak začne připravovat pokrm po dobu 15 minut a při výkonu 540W.

Průvodce nastavování výkonu mikrovlnné trouby

Nastavení výkonu

120W



230W

350W

540W

700W

Doporučené použití

Udržování horkého pokrmu

Rozmrazování, roztavení zmrzlých pokrmů

Střední: rychlejší rozmrazení a opětovné ohřátí dušeného pokrmu nebo pokrmu v rendlíku

Pečení dortů a piškotových těst

Maximální výkon: vaření a ohřívání tekutin.

Vaření zeleniny

Předehřátí zapékací mísy

Návod na rozmrazování při výkonu 230W

Některé potraviny jako chléb a ovoce mohou být rozmrazeny manuálně pomocí tohoto návodu.

POTRAVINA	PŘÍPRAVA	xxxx	DOBA ODPOČINKU PO ROZMRAZENÍ
chléb a pečivo			
malý bochník	Položit na papírový ubrousek nebo na podložku vhodnou do mikrovlnné trouby. Otočit ho v půlce doby rozmrazování	8-10 min	10-15 min
nakrájený velký bochník	Položit ho na papírový ubrousek nebo na podložku vhodnou do mikrovlnné trouby. Otočit ho v půlce doby rozmrazování	10-13 min	10 min
2 krajíce	Položit je na papírový ubrousek.	45-60 sec	5 min
1 kus pečiva	Položit ho na papírový ubrousek.	45-60 sec	5 min
2 kusy pečiva	Položit je na papírový ubrousek.	1-1,5 min	5 min
koláče a cukrovinky			
krémový dort 450g	Vybalit z obalu, položit na talíř	9-11 min	15-30 min
jemný koláč 450g	Vybalit z obalu, položit na talíř	9-11 min	15-30 min
plněný koláč 450g	Vybalit z obalu, položit na talíř	7-9 min	15-30 min
máslové pečivo	Vybalit z obalu, položit na talíř	7-9 min	15-30 min
másl			
250g / 1 balení	Vybalit z obalu, položit na talíř	3-4 min	5-10 min
ovoce			
225g měkké bobuloviny	Položit do jedné vrstvy do mělké misky	5-6 min	5-10 min
450g měkké bobuloviny	Položit do jedné vrstvy do mělké misky	7-8 min	5-10 min
porce pokrmu na talíři (400g)	Zakrýt poklopem nebo fólií (ne z PVC). Ohřát při 100% výkonu mikrovln (700W) po dobu 3-4 min	7-8 min	5-10 min
zelenina			
	Není nutné ji před vařením rozmrazovat. Veškerá zelenina může být rozmrazena a dále zpracována při 100% (700W) výkonu trouby		

Rady pro použití mikrovlnné trouby

- Vždy udržujte troubu v čistotě-zamezte přetékání a vytékání tekutin přes okraj nádob. Nezapomeňte vždy vyčistit vnitřek trouby včetně otočného talíře.
- Při přípravě pokrmů v troubě přednostně použijte kulaté nebo oválné misky s pokličkou.
- Nepoužívejte kovové nebo kovem zdobené misky. Některé plastové materiály se mohou od teplých pokrmů tavit nebo deformovat.
- Při přípravě pokrmy zakrývejte. Použijte skleněné pokličky, talíře nebo nepromastitelný papír.
- Pečivo, chléb a podobné potraviny mohou být rozmrazovány přímo v košíku na chléb nebo v papírovém ubrusku.
- Jestliže zmrazené potraviny ohříváte v jejich obalu, měli byste obal otevřít. Obaly obsahující kov nebo kovové ozdoby, které nejsou výslovně doporučeny pro ohřev v mikrovlnné troubě, se nesmí v troubě používat. Odstraňte kovové sponky a úvazky.
- Menší kusy alobalu můžete použít na zakrytí částí, které se snadno přehřívají, jako např. kuřecí křidýlka
- Potraviny se slupkou nebo kůží by se měli před přípravou propíchat vidličkou, jako např. brambory nebo párky ve střivku. Nikdy nevařte v mikrovlnné troubě celá vejce, mohla by explodovat.
- Velké, silné kusy dávejte k vnějšímu okraji nádoby a snažte se větší kusy porcovat na stejně velké kusky. Vždy umístějte nádoby do středu trouby.
- Potraviny se budou rovnoměrněji ohřívát, budete-li je během přípravy promíchávat nebo obracet.
- Vždy nastavte nižší dobu přípravy než je doporučeno, zabráníte tím přeavaření pokrmu. Čím jsou porce pokrmů větší, tím delší doba bude potřebná pro jejich přípravu.
- Na přípravu zeleniny nepoužívejte žádnou nebo minimální množství vody.
- Používejte menší množství koření a soli než pro "normální" vaření.
- Kopejte pokrmy až po přípravě v troubě.
- Po přípravě v troubě ponechejte pokrm několik minut "odpočinout", aby byla zajištěna úplná a rovnoměrná tepelná příprava
- Vždy se ujistěte, že pokrmy před podáváním na stůl jsou řádně tepelně zpracovány.
- Při vyjímání nádobí a pokrmů z trouby použijte buď držáky k tomu určené nebo rukavice pro mikrovlnné trouby.

Tipy a Triky

- **Změknutí medu**
Máte-li med, který je již ve sklenici zekernatělý, tak ze sklenice odstraňte víčko a vložte sklenici do trouby. Použijte střední hodnoty mikrovlnn po dobu 2 minut
- **Tavení čokolády**
Nalámejte 100g tabulku čokolády na čtverečky vsypte je do nádoby a zahřívajte při vysokém výkonu po dobu 1-2 minut za dobrého promíchávání
- **Rozpouštění nebo změknutí másla**
Rozpouštění zabere několik sekund při vysokém výkonu. Měknutí je lépe provádět při nižším výkonu po delší dobu.
- **Ohřátí nebo "oživení" staršího chleba**
Použijte střední hodnoty výkonu po dobu několika sekund
- **Jak jednoduše oloupat česnek**
Zahřejte 3-4 stroužky česneku při vysokém výkonu po dobu 15 sekund. Stiskněte jeden konec, dokud se neodloupe slupka
- **Příprava ovocného džusu**
Citrusové plody vydají více šťavy, jestliže je před vymačkáním po dobu 15 sekund ohřejete při vysokém výkonu.
- **Vaření vločkové kaše**
Vločkovou kaši jednoduše připravíte bez nepříjemného lepivého zašpinění. Viz návod výrobce.

Péče a čištění trouby

Mikrovlánná trouba musí být vždy čistá. Zbytky přeteklých pokrmů a rozstříknutých zbytků spotřebovávají mikrovlánnou energii a ta může zapříčinit i jejich vznícení. Zároveň se tím snižuje účinnost trouby a dochází ke vzniku nepříjemných pachů. Nepokoušejte se manipulovat s žádným nastavovacím prvkem nebo provádět opravu jakékoliv části trouby svépomocí. Opravy může provádět jen kvalifikovaný pracovník autorizovaného servisu.

Před čištěním se ujistěte, že trouba je odpojena od elektrické sítě.

Čištění příslušenství (otočný talíř a vozík)

Příslušenství vyndějte z trouby a venku je za pomoci jemného mycího prostředku vyčistěte. S vozíkem otočného talíře manipulujte velice opatrně.

Upozornění: Vnitřek trouby, otočný talíř a vozík talíře se ohřívají na vysokou teplotu, proto se jich bezprostředně po vypnutí trouby nedotýkejte.

Čištění interiéru

Vždycky udržujte vnitřek trouby v čistotě. Vyčistěte všechny skvrny po rozlitych pokrmech a odstraňte všechny zbytky pokrmů. Neodstraněné zbytky ucpěné na stěnách trouby, těsnění dveří a dveří pohlcují mikrovlánné záření a tím snižují účinnost trouby. Mohou také zapříčinit poškození vnitřku trouby. K čištění používejte jemné tekuté mycí prostředky, horkou vodu a měkký, čistý hadřík.

Nikdy k čištění jakékoliv části mikrovlánné trouby nepoužívejte abrazivní mycí prostředky a ani komerční čističe trub nebo ocelovou drátěnku.

K uvolnění silně ulpěných nečistot nechejte v troubě po dobu 2-3 minuty vařit hrnek s vodou.

Nikdy se nepokoušejte k odstranění nánosů použít nůž nebo jiný kuchyňský nástroj.

Pro odstranění zápachu z vnitřního prostoru trouby nechejte vařit po dobu asi 5 minut hrnek s vodou, do které jste přidali 2 čajové lžičky citrónové šťávy.

Čištění exteriéru

Před čištěním ovládacího panelu otevřete dvířka trouby. Tím zabráníte tomu, aby nedošlo k nechtěnému zapnutí trouby. Vnější povrch trouby je třeba čistit vodou s neagresivním mycím prostředkem a poté přetřít pouze čistou vodou, aby se odstranil zbylý mycí prostředek. Nakonec troubu vytřete do sucha měkkým suchým hadříkem.

Můžete také použít sprejové čističe oken nebo univerzální kuchyňské čisticí prostředky. Nikdy nepoužívejte na mytí vnějších částí abrazivních mycích prostředků, drátěnek nebo agresivních chemikálií. Aby nedošlo k poškození pracovních částí trouby, nedovoďte, aby se do větracích otvorů dostala voda.

Servis a náhradní díly

Jestliže spotřebič nefunguje správně, tak ještě před tím, než budete kontaktovat autorizovaný servis proveďte následující kontroly:

Jestliže se trouba nezapnula

- Zkontrolujte, zda je trouba připojena na elektrickou síť.
- Zkontrolujte, zda je zástrčka správně zasunutá.
- Zkontrolujte, zda případný vypínač či jistič vedoucí k troubě je zapnutý.
- Zkontrolujte, zda je zásuvka funkční a to zapojením jiného spotřebiče do používané zásuvky.
- Zkontrolujte stav pojistky v domácím rozvodu.

Jestliže trouba nepracuje:

- Dětská pojistka může být aktivovaná (u některých modelů)
- Zkontrolujte, zda jsou voliče správně nastavené
- Zkontrolujte, že veškeré korekce a použité postupy odpovídají tomuto návodu k použití.
- Přesvědčete se, že dveře trouby jsou pevně zavřené. (Jestliže zbytky potravy nebo jiné díly překážejí správnému zavření dveří, tak trouba nepřijde zapnout)
- Zkontrolujte, zda byla nastavena požadovaná doba přípravy.

Jestliže ani po provedených kontrolách trouba nepracuje správně, kontaktujte nejbližší autorizovaný servis firmy Zanussi. Adresy jednotlivých servisů naleznete na dalších stránkách tohoto návodu.

Důležité:

Jestliže přivolaný technik zjistí, že porucha je způsobená nesprávnou instalací nebo používáním, tak vám náklady spojené s jeho návštěvou budou účtovány i v případě, že trouba je stále v záruční době.

Po zavolání do autorizovaného servisu budete dotazován na následující informace.

1. Vaše jméno, adresa a PSČ
2. Vaše telefonní číslo
3. Přesný popis poruchy
4. Číslo modelu
5. Sériové číslo
6. Datum nákupu spotřebiče

Doporučujeme vám, abyste si do volných kolonek napsali příslušné informace pro případ potřeby:

Číslo modelu:ZM17ML

Sériové číslo:

Datum prodeje:

Jestliže je váš spotřebič stále v záruce, musíte se ujistit, že jste provedli veškeré kontroly (viz nahoře). V opačném případě vám budou naúčtovány náklady spojené s přivolaným servisním technikem.

Náhradní díly

Veškeré náhradní díly lze zakoupit prostřednictvím autorizovaných opraven.

Zákaznický servis

Veškeré informace týkající se vašeho spotřebiče značky Zanussi nebo informace o jiných spotřebičích firmy Zanussi získáte, když zatelefonujete nebo se písemně spojíte s naším zákaznickým servisem.

Záruční podmínky

Firma Zanussi nabízí tyto záruční podmínky tohoto spotřebiče:

1. Záruka je platná po dobu 24 měsíců, od doby kdy byl spotřebič prodán prvnímu zákazníkovi, což musí být potvrzeno dokladem o nákupu nebo podobným dokumentem. Záruka nepokrývá komerční užití tohoto spotřebiče.
2. Záruka je platná na všechny vady vzniklé chybou výrobou nebo vadou materiálu. Záruka se nevztahuje na vady způsobené nesprávným používáním, hrubým zacházením, špatnou instalací, poškozením z vnějšku jiným objektem, špatnou údržbou, neautorizovanými modifikacemi nebo pokusy o opravu, komerčním používáním nebo nedodržáním pravidel vyjmenovaných v příložené příručce. Záruka se dále nevztahuje na žárovky, vyjímatelné skleněné nebo plastické díly.
3. Prodejce musí neprodleně informovat nejbližší autorizované servisní centrum o požadavku na záruční opravu. Zanussi si vyhrazuje právo určit, kde se oprava provede (např. doma u zákazníka, v místě instalace nebo v servisní dílně).
4. Záruka se vztahuje na bezplatnou výměnu náhradních dílů a na potřebnou práci.
5. Opravy prováděné v době záruky neprodlužují celkovou dobu záruky na spotřebič. Díly vyměněné při opravě se stávají majetkem firmy Zanussi.
6. Práva zákazníka určena zákonem nejsou těmito záručními podmínkami zpochybněna

Záruka, servis a náhradní díly

Přečtěte si tento návod k obsluze a dodržujte v něm uvedené rady a pokyny. V mnoha případech si budete moci vyjasnit jakékoli pochybnosti sami a tudíž vyhnout se zbytečným voláním do servisu. Předchozí části nazvané "Co dělat, když ..." a "Servis" obsahují doporučení, co by se mělo zkontrolovat dříve, než zavoláte servisního technika.

Jestliže po těchto kontrolách závada stále existuje, zavolejte vaše nejbližší autorizované servisní středisko Zanussi.

Ujistěte se, že můžete sdělit model a seriové číslo spotřebiče. Tyto informace naleznete na datovém štítku přístroje.

Originální náhradní díly lze koupit od autorizovaných středisek servisu Zanussi.

Podmínky záruky

My, výrobce, zaručujeme, že jestliže během 24 měsíců od data zakoupení tohoto spotřebiče Zanussi se tento spotřebič nebo jakákoliv jeho část ukážou jako vadné pouze z důvodu vadného zpracování nebo vadného materiálu, provedeme podle našeho uvážení buď opravu nebo výměnu tétož bez placení za práci, materiál nebo přepravu za předpokladu, že:

- spotřebič byl správně instalován a používán pouze na napětí uvedené na štítku jmenovitých hodnot
- spotřebič byl používán pouze pro normální domácí účely a v souladu s pokyny výrobce pro provoz a údržbu
- na spotřebiči neprováděla servis, údržbu ani opravu jiná než námi autorizovaná osoba, která spotřebič nerozebírala ani s ním jinak nemanipulovala
- všechny servisní práce podle této záruky musí provádět servis Zanussi nebo jím autorizované středisko
- každý vyměněný spotřebič nebo vyměněná vadná součást se stanou naším vlastnictvím
- tato záruka platí vedle vašich zákonných nebo jinak právně podložených práv
- rozhodující podmínky záruky jsou uvedeny na záručním listu

Výjimky - tato záruka se nevztahuje na:

- poškození nebo požadavky vzniklé v důsledku přepravy, nesprávného použití nebo nedbalosti, výměny žárovek a snímatelných částí ze skla nebo plastických hmot
- náklady spojené s požadavky na odstranění závad spotřebiče, který je nesprávně instalován
- spotřebiče, které jsou používány v komerčním prostředí včetně pronajímaných
- země Evropského společenství. Lze použít standardní záruku, ale zajištění, že spotřebič splňuje normy platné v příslušné zemi, kam byl spotřebič dopraven, je na zodpovědnosti a na náklady vlastníka. Může být vyžadován doklad o koupi.

Model.....

Číslo výrobku (E/PNC No.).....

Seriové číslo (F/Serial. No.).....

eventuelně KD ... / ... / ...

V případě technických problémů vám bude i náš značkový servis kdykoliv k dispozici, volejte 2 6112 6112.

Adresy:

Servisní středisko Zanussi
Hanusova ulice
140 21 Praha 4
Tel.: 2 6112 6112

Bezpečnost

Přečtěte si tento návod a varovná upozornění na začátku tohoto návodu. Výrobce nezodpovídá za vady způsobené nesprávně používaným výrobkem nebo výrobkem používaným pro jiné účely než jsou účely specifikované v tomto návodu.

Čestitamo vam, da ste se odločili za nakup nove mikrovalovne pečice Zanussi.

Zahvaljujemo se vam za zaupanje, ki ste nam ga izkazali, ko ste izbrali naš proizvod. Prepričani smo, da boste hitro ugotovili, kako uporabna je vaša nova mikrovalovna pečica, in da vam bo v veliko pomoč. Kot pri vseh kuhinjskih aparatih bo tudi pri uporabi mikrovalovne pečice trajalo nekaj časa, da se boste seznanili z vsemi funkcijami in možnostmi uporabe, vendar pa smo prepričani, da vam bo sčasoma vaša mikrovalovna pečica postala nepogrešljiva.

Preden prvič uporabite svojo novo mikrovalovno pečico

natančno preberite vsa navodila za uporabo. Ta navodila smo pripravili z željo, da bi vam omogočili res optimalno in varno uporabo, zato vas prosimo, da jih pazljivo preberete. Knjižico z navodili imejte vedno pri roki, tako da boste lahko vsakič, ko boste v dvomih, poiskali ustrezno navodilo. Če boste svojo mikrovalovno pečico prodali, jo komu podarili ali jo ob selitvi pustili v starem stanovanju, poskrbite, da bo novi lastnik obenem s pečico dobil tudi navodila za uporabo in se bo lahko tako tudi sam seznanil z varno in optimalno uporabo.

Navodila za varno uporabo

- Vgrajena varnostna stikala preprečujejo delovanje mikrovalovne pečice, če so vrata odprta.
- Nikoli ne poskušajte spremeniti delovanje teh stikal, saj bi delovanje pečice pri odprtih vratih lahko povzročilo izpostavljanje oseb mikrovalovni energiji.
- Pazite, da se na tesnilu vrat ne bi nabrali ostanki hrane ali čistil; tesnilo redno čistite (glej poglavje o čiščenju in vzdrževanju mikrovalovne pečice).
- Če je mikrovalovna pečica pokvarjena, je ne smete uporabljati, ampak se takoj obrnite na pooblaščen servis.
- Izjemno pomembno je, da se vrata mikrovalovne pečice pravilno zapirajo in da niso poškodovani naslednji deli: (1) vrata (usločena); (2) tečaji vrat in zapahi (zlomljeni ali zrahljani); (3) tesnila vrat in tesnilne površine.
- Nikoli ne poskušajte sami popraviti pokvarjeno mikrovalovno pečico. Popravila, vzdrževalna dela in spreminjanje značilnosti pečice smejo opravljati samo za to usposobljeni strokovnjaki pooblaščenega servisa. Vsi posegi s strani nestrokovnih oseb pomenijo veliko tveganje za uporabnika mikrovalovne pečice.
- Nikoli ne smete sneti ohišja, vrat ali upravljalne plošče z mikrovalovne pečice. To bi lahko povzročilo izpostavljanje izjemno visoki napetosti.
- Mikrovalovno pečico smete inštalirati in postavite samo v skladu z navodili za inštalacijo, ki so podana v teh navodilih za uporabo.
- Mikrovalovno pečico uporabljajte samo v namene, ki so opisani v teh navodilih. V njej ne smete segreti korozivnih kemikalij. Ta tip mikrovalovne pečice je izključno namenjen segrevanju in kuhanju ter oddaljevanju zamrznjene hrane. Ta mikrovalovna pečica ni primerna za industrijsko uporabo ali uporabo v laboratorijih, ravno tako pa tudi ni namenjena komercialni uporabi. Pri taki uporabi mikrovalovne pečice vam garancije ne moremo priznati.
- Nikoli ne vklaplajte prazne mikrovalovne pečice. Če v njej ni hrane ali vode, ki bi absorbirali mikrovalovno energijo, lahko pride do poškodbe magnetrona.

- Če mikrovalovno pečico uporabljajo otroci, jih je pri tem treba skrbno nadzirati, pred tem pa se prepričajte, da so sposobni sami uporabljati mikrovalovno pečico in da razumejo nevarnosti, ki so lahko posledica nepravilne uporabe.
- Mikrovalovna pečica ne sme stati na prostem ali v bližini vode.
- Ne poskušajte v mikrovalovni pečici sušiti oblek ali časopisov; ti predmeti bi se lahko vneli.
- Ne uporabljajte mikrovalovne pečice za shranjevanje; nikakor ne smete v njej puščati predmetov iz papirja, kuhinjskih pripomočkov ali hrane.

Testiranje ustreznosti posode

- Postavite posodo v mikrovalovno pečico skupaj s kozarcem, polnim vode. Segrevajte mikrovalovno pečico eno minuto na 700 W (100%). Če se je posoda segrela, je ne uporabljajte mikrovalovni pečici. Če je le mlačna, jo lahko uporabljate za segrevanje jedi, ne pa za kuhanje. Če je posoda tudi po segrevanju sobne temperature, je primerna za kuhanje v mikrovalovni pečici.
- Papirnati prtički, povoščeni papir, papirnate brisače, krožniki, skodelice, škatle, ovojni papir in lepenka so zelo praktični pripomočki za uporabo v mikrovalovni pečici. Vedno se prepričajte, da ste jih v pečico postavili polne hrane ali tekočine, saj ta absorbira energijo in je na ta način izključena možnost pregrevanja.
- Večina plastičnih posod, skodelic, škatel za shranjevanje v zamrzovalniku in plastičnih ovojev je primerna za uporabo v mikrovalovni pečici. Pri uporabi plastike upoštevajte navodila proizvajalca. Izgibajte se uporabi plastičnih posod za pripravo hrane, ki vsebuje veliko maščob ali sladkorja, ker dosežejo taka živila višjo temperaturo in bi se določena vrsta plastike lahko začela topiti.

- Ne puščajte vklopljene mikrovalovne pečice nenadzorovane; predvsem če segrevate ali kuhate hrano v plastični ali papirnati posodi oz. taki, ki se lahko vname, večkrat preverite delovanje pečice. Če opazite dim, pustite vrata zaprta, izklopite mikrovalovno pečico ali potegnite vtičič iz vtičnice in počakajte, da se preneha kaditi.
- Kovinska posoda in posoda s kovinsko obrobo ni primerna za uporabo v mikrovalovni pečici, razen če proizvajalec izrecno tega ne dovoljuje.
- Posoda z ozkimi grli, kot so to n.pr. steklenice, za uporabo v mikrovalovni pečici ni primerna.
- Ko želite odkriti posodo, v kateri ste kuhali, pazite, da vas vroča para ne opeče.

Varnost pri pripravljanju živil

- Nikoli ne segrevajte hrane v konzervah; pred segrevanjem jo preložite v drugo posodo.
- Mikrovalovna pečica ni primerna za cvrenje hrane v maščobi; ker temperature maščobe ni mogoče nadzirati, bi lahko prišlo do poškodb uporabnika.
- Pokovko (pop-corn) smete pripravljati v mikrovalovni pečici le, če uporabite posebno, temu namenjeno posodo oz. posebne zavojčke pokovke, pripravljene za pripravo v mikrovalovni pečici. Med pripravo pokovke nadzirajte delovanje mikrovalovne pečice.
- Živila z neporozno lupino pred kuhanjem v mikrovalovni pečici večkrat prebodite; tako boste preprečili nabiranje pare pod lupino, zaradi česar bi n.pr. krompir počil. Taka živila so n.pr. jabolka, krompir, piščančja jetra in jajčni rumenjaki.

POZOR! Če v mikrovalovni pečici segrevate tekočine, n.pr. juhe, omake in pijače, se te lahko pregrejejo čez vrelišče, ne da bi se to pokazalo z nastajanjem mehurčkov. Zato lahko pride do nenadnega kipenja vroče tekočine. Da bi to preprečili, ukrepajte na naslednji način:

ZM17ML

1. Izogibajte se uporabi posod z ravnimi stranicami in ozkim grlom.
 2. Ne pregrevajte tekočin.
 3. Preden vlijete tekočino v posodo, jo premešajte; ponovno jo premešajte na sredi kuhanja.
 4. Po segrevanju pustite tekočino še nekaj časa v mikrovalovni pečici in jo, še preden jo vzamete iz nje, še enkrat premešajte.
- Nekatera živila, kot n.pr. cela jajca in zaprte posode, n.pr. zaprti kozarci za vlaganje, lahko eksplodirajo in niso primerni za kuhanje ali segrevanje v mikrovalovni pečici. Občasno tudi zakrknjena jajca med kuhanjem eksplodirajo. Vedno pred kuhanjem prebodite rumenjaki in jajce pokrijte; pustite ga počivati eno minuto in šele nato dvignite pokrov.
 - Nikoli ne poskušajte na silo zavrteti nosilca za vrtljivo ploščo; lahko bi ga pokvarili.
 - Iskrenje v mikrovalovni pečici med delovanjem je običajno posledica uporabe kovinskih predmetov. Pogosto iskrenje pa bi lahko pokvarilo mikrovalovno pečico, zato ustavite delovanje pečice in preverite, kaj ga povzroča.
 - Pazite, da ne zakrijete odprtini za zračenje, ki so na vrhu, zadaj, ob strani in na dnu mikrovalovne pečice.

To mikrovalovno pečico smete uporabljati samo v gospodinjske namene; za uporabo v komercialne namene ni primerna!

Ta navodila shranite!

Posoda in pripomočki, primerni za uporabo v mikrovalovni pečici

Pri kuhanju v mikrovalovni pečici lahko uporabite mnogo različnih materialov.

Zaradi vaše varnosti, pa tudi zato, da ne bi poškodovali posode v vaši mikrovalovni pečici, se pri izbiri posode ravnajte po spodnji tabeli.

Material	Posoda oz. pripomočki	Mikrovalovi
Keramika in steklo	Toplotnoodporno steklo	DA*
	Steklena posoda s kovinskimi obrobami ali okraski	NE
	Svinčeno (kristalno) steklo	NE
Porcelan	brez kovinskih okraskov	DA
Keramika**		DA
Plastika	Za uporabo v mikrovalovni pečici primerna, toplotnoodporna plastika	DA
	Plastične vrečke	DA
Kovina	Kovinski pekači	NE
	Aluminijasta folija***	DA
Papir	Skodelice, krožniki, brisače	DA
Les		NE
Dodatna oprema	Rešetka za pripravo jedi na žaru	NE
	Vrtljiva plošča	DA
	Nosilec vrtljive plošče	DA

DA: za uporabo primerna posoda

NE: posoda, ki ni primerna

*Samo posoda brez kovinske obrobe

**Samo če glazura ne vsebuje kovinskih snovi

***Aluminijasto folijo uporabljajte samo v manjših količinah; večje količine bi povzročile iskre.

Tehnični podatki

Mere	Teža 14 kg
Širina 459 mm	Prostornina 17 litrov
Globina 368 mm	Priključna napetost 230 V, 50 Hz
Višina 296 mm	Varovalka 10 A
	Poraba energije
Notranjost pečice	Mikrovalovi 1200 W
Širina 282 mm	
Globina 282 mm	Moč
Višina 206 mm	Mikrovalovi 700 W

Navodila za namestitev in priklop

Odstranjevanje embalaže

Ko odstranite embalažo, se najprej prepričajte, da je vaša nova mikrovalovna pečica nepoškodovana. V nasprotnem primeru se takoj obrnite na prodajalca. Deli pečice bodo morda zaščiteni s folijo; to morate pred prvo uporabo pečice odstraniti. Pazite, da kosi embalaže ne pridejo v roke majhnim otrokom!


Namestitev

1. Snemite nalepke z vrat.
2. Postavite pečico na ravno, gladko površino, ki prenese težo pečice (14 kg) in vsebine. Da preprečite morebitne vibracije in glasnost delovanja, mora biti mikrovalovna pečica stabilna.
3. Pečica naj ne bo izpostavljena vlagi in vročini, saj bi se poškodovala.
4. Odprtine na vrhu in ob straneh pečice morajo ostati proste, zato ne odlagajte ničesar na mikrovalovno pečico. Če so odprtine zakrpite, lahko pride do pregrevanja in do okvare pečice. Iz odprtine uhaja vroč zrak, zato pazite, da se ne opečete. Za pečico ne obešajte zaves.
5. Pečica naj bo čim dlje od radijskih ali TV sprejemnikov, da ne bi povzročala motenj. Ta mikrovalovna pečica je izdelana skladno s predpisi EEC o odpravljanju radijskih motenj, vendar pa obstaja možnost določenih motenj, če je pečica postavljena preblizu radijskega ali televizijskega sprejemnika.
6. Če postavite pečico v kot, mora biti od desnega zida odmaknjena vsaj 10 cm!

Pozor! Mikrovalovno pečico lahko postavite kamorkoli v kuhinji. Paziti pa morate, da jo postavite na ravno, površino in da so odprtine za zračenje proste, prav tako pa mora biti omogočeno tudi kroženje zraka pod pečico.

Aparat je izdelan skladno s predpisi EEC št. 87/308 z dne 2.6.87 o preprečevanju radijskih motenj.

Priklučitev na električno omrežje

 Mikrovalovna pečica mora biti ozemljena! Proizvajalec ne prevzema odgovornosti za škodo ali poškodbe zaradi neupoštevanja teh navodil.


Pečica je dobavljena s priključnim električnim kablom in vtičnem za omrežje z napetostjo 230 V, 50 Hz. Ozemljitev zmanjšuje tveganje v primeru kratkega stika.

Če niste prepričani, če je vaše hišno omrežje ustrezno oziroma če je poskrbljeno za ozemljitev, se posvetujte s strokovnjakom.

Če vtič, s katerim je pečica dobavljena, ni ustrezen za vašo vtičnico, ga je potrebno zamenjati z ustreznim. Iz vtiča, ki ste ga odrezali s priključnega električnega kabla, odstranite varovalko in ga nato zavržite, da preprečite morebitno nezgodo.

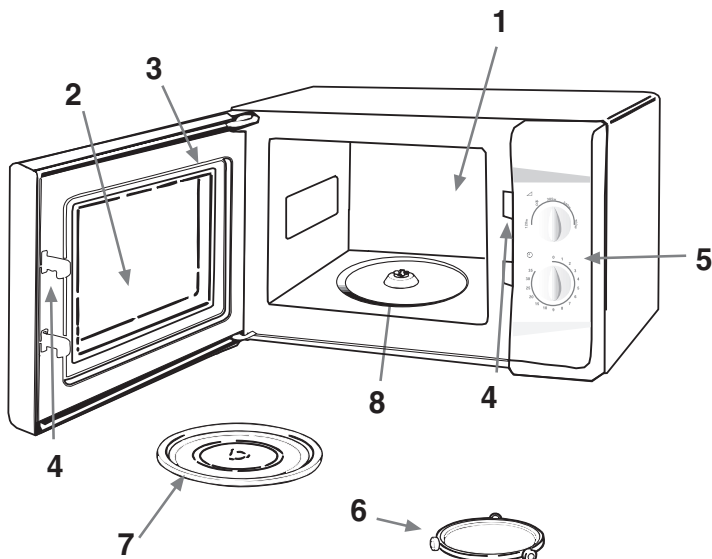
Če na vtičaju manjka pokrovček nad varovalko, takega vtiča ne smete priključiti na električno omrežje, ampak morate najprej namestiti nov pokrovček.

Če uporabljate podaljšek, mora biti ta ozemljen!

 Aparat mora biti ozemljena! Proizvajalec ne prevzema odgovornosti za škodo ali poškodbe zaradi neupoštevanja teh navodil.

- Če priloženi vtič ne ustreza vašim vtičnicam, naj ga zamenja za to usposobljena oseba.
- Iz odrezanega vtiča odstranite varovalko in ga zavržite, da preprečite morebitno nezgodo.

Opis mikrovalovne pečice

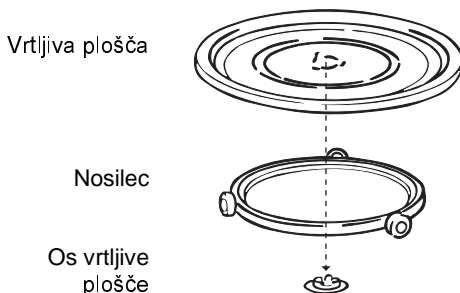


1. Prostor za kuhanje. Po vsaki uporabi ga očistite.
2. Okno, skozi katerega lahko nadzorujete kuhanje med delovanjem pečice.
3. Vrata pečice. Med kuhanjem morajo biti vedno dobro zaprta.
4. Kaveljčki zapaha in varnostni sistem zapiranja.
5. Upravljalna plošča.
6. Nosilec vrtljive plošče. Postavite ga na dno prostora za kuhanje.
7. Vrtljiva plošča iz posebnega, na vročino odpornega stekla. Nanjo postavite jed v ustrezni posodi. Ne uporabljajte mikrovalovne pečice brez vrtljive plošče!
8. Pogonska os vrtljive plošče

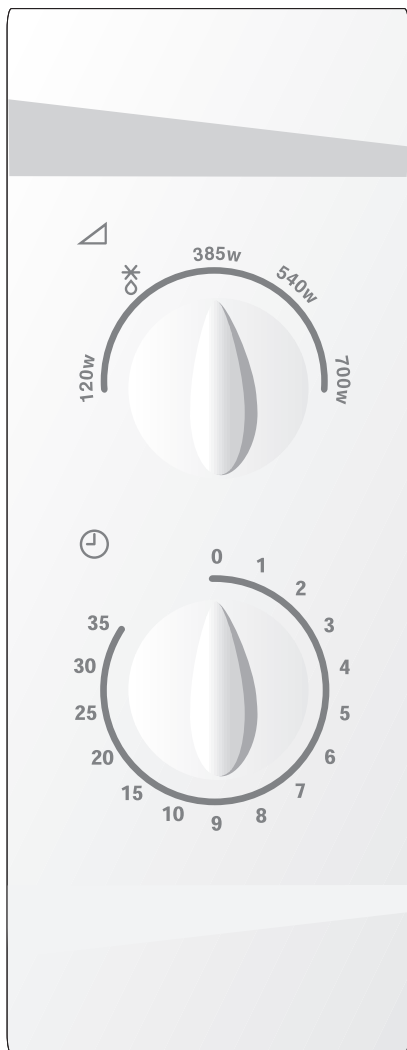
Vrtljiva plošča in nosilec

Namestite ju, kot kaže skica. Pazite, da je vrtljiva plošča pravilno postavljena na nosilec. Nikoli ne obračajte vrtljive plošče s spodnjo stranjo navzgor! Vrtljiva plošča se vrtili na levo ali na desno.

Za pripravljanje jedi na žaru je priložena tudi rešetka, ki jo postavite na sredino vrtljive plošče.



Upravljalna plošča

**1. Gumb za nastavljanje moči mikrovalov in izbiranje funkcij**

Za nastavljanje ustrezne moči mikrovalov

2. Gumb programske ure

Za nastavljanje trajanja kuhanja; mikrovalovna pečica začne delovati. Vse programske ure so bolj natančne, če gumb najprej zavrtite naprej od želenega časa in nato nazaj na želeno vrednost.

Kuhanje z mikrovalovi

1. Odprite vrata in postavite jed na vrtljivo ploščo. Zaprite vrata.
2. S pomočjo gumba za nastavljanje moči mikrovalov nastavite ustrezno moč (gl. spodnjo razpredelnico).
3. Nastavite potreben čas z obračanjem gumba za nastavljanje časa..

Pečica začne delovati.

Če želite nastaviti krajši čas kuhanja od 2 minut, gumb programske ure obrnite naprej na

večjo vrednost in nato nazaj na ustrezno vrednost.

Če želite pečico izklopiti med kuhanjem, preprosto obrnite gumb programske ure na 0..

Opomba: Po uporabi obrnite gumb programske ure nazaj na 0, sicer bo pečica še naprej delovala.

Opomba: S pritiskom na tipko Micro+ povečate moč mikrovalov z 120W na 700W.



Primer: Kuhanje 20 minut pri moči mikrovalov 540 W

1. Gumb za nastavljanje moči mikrovalov obrnite na 540 W.
2. Gumb za nastavljanje časa obrnite na 20.
3. Pečica začne delovati; delovala bo 20 minut pri moči 540 W.

Segrevanje ohlajenih gotovih jedi

- Upošteвайте navodila proizvajalca, vendar pa se vedno prepričajte, če je jed res dobro segreta. Če ne, čas segrevanja podaljšajte – podobno kot v običajni pečici.
- Jed občasno premešajte, predvsem pri segrevanju enolončnic, omak...
- Čas počivanja je zelo pomemben; ta čas je del procesa kuhanja in omogoča, da se temperatura enakomerno razporedi.

Ustrezne nastavitve moči mikrovalov

Moč mikrovalov	Primerno za:
120 W	Ohranjanje toplote
230 W 	Odtaljevanje zamrznjenih živil
350 W 	Srednja moč – hitrejšo odtaljevanje in segrevanje enolončnic, golaža...
540 W	Srednja moč; segrevanje gotovih jedi, pečenje določenih peciv in kuhanje pudingov, pečenje mesa, perutnine...
700 W	Največja moč; segrevanje tekočin do vrelišča, kuhanje zelenjave... Segrevanje posode za hrustljivo zapečene jedi.

Odtaljevanje zamrznjenih živil s funkcijo 230 W

Živilo	Priprava	Čas (minute) (230 W)	Čas počivanja (minute)
Kruh			
Štručka	Položite na krožnik ali papir. Na polovici predvidenega časa obrnite.	8 – 10	10 – 15
Narezana štruca	Položite na krožnik ali papir. Na polovici predvidenega časa obrnite.	10 – 13	10
2 rezini	Položite na krožnik ali papir.	45 – 60 sekund	5
1 rogljič	Položite na krožnik ali papir.	45 – 60 sekund	5
2 rogljiča	Položite na krožnik ali papir.	1 – 1 ½	5
Pecivo			
Kolač 450 g	Odstranite embalažo, postavite na krožnik	9 – 11	15 – 30
Sirov kolač 450 g	Odstranite embalažo, postavite na krožnik	9 – 11	15 – 30
Pita (s kuhanim nadevom) 450 g	Odstranite embalažo, postavite na krožnik	7 – 9	15 – 30
Piškoti 450 g	Odstranite embalažo, postavite na krožnik	7 – 9	15 – 30
Maslo 250 g	Odstranite folijo, postavite na krožnik.	3 – 4	5 – 10
Sadje			
Jagodičje 225 g	Eno plast razgrnite na plitek krožnik.	5 – 6	5 – 10
Jagodičje 450 g	Eno plast razgrnite na plitek krožnik.	7 – 8	5 – 10
Gotove jedi 400 g	Na krožniku pokrijte z drugim krožnikom ali PVC folijo. Če želite jed tudi segreti, jo 3-4 minute segrevajte pri 700 W.	7 – 8	5 – 10
Zelenjava	Odtaljevanje pred kuhanjem ni potrebno. Vso zelenjavo odtajate in skuhate pri 100-% moči (700 W).		

Praktični nasveti

- Pečico redno čistite. Vsakič obrišite tekočino, ki se vam je morda polila; ne pozabite očistiti tudi pod stekleno ploščo in notranjo stran vrat.
 - Če je le mogoče, pri kuhanju v mikrovalovni pečici uporabljajte okrogle ali ovalne posode s pokrovom.
 - Nikoli ne uporabljajte kovinskih posod ali posod s kovinskimi okraski ali obrobari. Tudi nekatere vrste plastike za uporabo v mikrovalovni pečici niso primerne, saj se lahko zaradi vroče hrane, ki se v njih segreva, stalijo.
 - Med kuhanjem naj bo hrana pokrita. Uporabljajte steklene pokrove, krožnike ali povoščeni papir.
 - Pecivo, kruh in podobna živila lahko postavite v mikrovalovno kar v košarici za kruh ali na papirnati brisači.
 - Če zamrznjena živila tajate kar v vrečki, v kateri so bila zamrznjena, morate to prej odvezati ali odpreti. Živila, ki so bila zamrznjena v posodah, smete v isti embalaži odtaljevati v mikrovalovni pečici le, če je embalaža primerna za uporabo v mikrovalovni pečici. Odstraniti pa morate vse kovinske sponke ali žičke.
 - Manjše kose aluminijaste folije uporabite, da zaščitite tanjše dele oziroma dele, ki bi se zlahka prekuhali, n.pr. piščančja krilca.
 - Živila z lupino ali kožo pred kuhanjem prebodite z vilico, n.pr. krompir ali klobase. Jajc v lupini ne smete kuhati v mikrovalovni pečici, ker bi lahko eksplodirala.
 - Velike, debele kose položite k robu posode; živila razrežite na kar najbolj enakomerno debele kose.
 - Hrana bo bolj enakomerno kuhana, če jo boste med kuhanjem večkrat premešali.
 - Vedno nastavite nekoliko krajši čas kuhanja, kot ga priporoča recept. Tako se vam hrana ne bo prekuhala. Večje količine hrane se kuhajo dlje časa!
 - Zelenjavo kuhajte v zelo majhni količini vode ali brez nje.
 - Uporabljajte manj soli in začimb kot pri običajnem kuhanju. Začimbe boste dodali pozneje, če bo to potrebno.
 - Ko izklopíte pečico, pustite hrano nekaj časa počivati; tako bodo rezultati boljši.
 - Preden postrežete z jedmi se vedno prepričajte, da so se dovolj segrele.
 - Uporabljajte zaščitne kuhinjske rokavice, ko jemljete hrano iz mikrovalovne pečice.
- Taljenje medu**
Med, ki je kristaliziral, v odprtem kozarcu postavite v mikrovalovno pečico. Segrevajte ga 2 minuti pri srednji moči mikrovalov.
- Taljenje čokolade**
100 g čokolade na koščke nalomite v posodo. Segrevajte jo 1 do 2 minuti pri največji moči mikrovalov in dobro premešajte.
- Mehčanje ali taljenje masla**
Pri največji moči mikrovalov se maslo v nekaj sekundah stali. Če ga želite samo omehčati, izberite nižjo moč mikrovalov.
- Segrevanje kruha**
Kruh od prejšnjega dne nekaj sekund segrevajte pri srednji moči.
- Enostavno lupljenje česna**
3 do 4 stroke česna 15 sekund segrevajte pri največji moči. Nato na enem koncu stisnite strok – česen bo skočil iz lupine.
- Sadni sok**
Iz agrumov boste iztisnili več soka, če jih najprej za 15 minut postavite v mikrovalovno pečico pri največji moči.
- Pripravljanje instant hrane**
Upoštevajte navodila proizvajalcev!

Čiščenje in vzdrževanje

Pečica naj bo vedno čista. Ostanki hrane, ki bi ostali v mikrovalovni pečici, bi privlačili mikrovalovno energijo in se sežgali. Tako bi se lahko učinkovitost pečice zmanjšala, pojavil bi se pa tudi neprijeten vonj. Nikoli ne poskušajte sami spreminjati značilnosti pečice ali jo sami popravljati. To prepustite strokovnjakom s pooblaščenega servisa.

Prepričajte se, da je mikrovalovna pečica izklopljena iz električnega omrežja, preden jo začnete čistiti.

Čiščenje opreme

Dele v notranjosti poberite iz mikrovalovne pečice in jih operite z blagim čistilom. Z nosilcem vrtljive plošče ravnajte še posebno previdno.

Notranjost pečice in vrtljivi pladenj se med kuhanjem zelo segrejeta; po uporabi mikrovalovne pečice najprej počakajte, da se notranjost popolnoma ohladi.

Čiščenje notranjosti

Pečica naj bo vedno čista. Takoj po uporabi jo obrišite in očistite. Ostanki hrane na stenah, vratih in tesnilu vrat absorbirajo, mikrovalovno energijo, zmanjšujejo učinkovitost pečice in v določenih primerih poškodujejo notranjost.

Za čiščenje uporabljajte blaga tekoča čistila, toplo vodo in mehko, čisto krpo. Nikoli ne uporabljajte abrazivnih čistil, čistil za električne pečice ali blazinic jeklene volne. Trdovratne madeže boste lažje očistili, če prej v mikrovalovni 2 do 3 minute segrevate kozarec vode. Pri čiščenju si ne smete nikoli pomagati z ostrimi, koničastimi predmeti!

Če se v pečici razvije neprijeten vonj, segrevajte v njej 5 minut kozarec vode z dvema žlicama limoninega soka.

Čiščenje zunanosti

Ko čistite upravljalno ploščo, naj bodo vrata pečice odprta. Tako je ne boste mogli nehote vklopiti.

Zunanost pečice čistite z blagim tekočim detergentom in vodo, nato pa jo do čistega obrišite s čisto vodo in do suhega obrišite z mehko krpo.

Pri čiščenju lahko uporabite tudi čistila za okna ali večnamenska čistila za razprševanje. Nikoli pa ne smete uporabljati abrazivnih čistil in pripomočkov. Pri čiščenju pazite, da voda ne prodre v odprtine za zračenje, ker bi se tako pečica poškodovala.

Nepravilnosti v delovanju in servisiranje

Če mikrovalovna pečica ne deluje, najprej poskušajte sami odpraviti nepravilnost po spodnjih navodilih, šele nato se obrnite na pooblaščen servis.

Če mikrovalovna pečica ne deluje pravilno:

- Prepričajte se, da so vtikač, vtičnica in varovalka brezhibni; po potrebi zamenjajte varovalko.
- Prepričajte se, da je omrežje pod tokom - v vtičnico vklopite drugi električni aparat.
- Če varovalka večkrat pregori, pokličite ustrezno usposobljenega električarja.

Če mikrovalovna pečica ne deluje v načinu za mikrovalove:

- Morda je nastavljena varnostna funkcija (nekateri modeli).
- Morda niste izbrali pravih nastavitev.
- Morda niso zaprta vrata. Če vrata niso zaprta, mikrovalovna pečica ne deluje.
- Morda ostanki hrane ovirajo zapiranje vrat.

Če vam ne uspe odpraviti nepravilnosti v delovanju, se obrnite na pooblaščen servis. Zahtevajte uporabo originalnih rezervnih delov.

Rezervni deli so vam na voljo pri pooblaščenih servisih za proizvode Zanussi. Ko se obrnete na pooblaščen servis, prosimo, da navedete vaše ime in naslov, natančen opis nepravilnosti, model in serijsko številko proizvoda (navedeni na tablici s podatki) ter datum nakupa..

Pridržujemo si pravico to tehničnih sprememb brez predhodnega obvestila. Pridržujemo si pravico do tiskarskih napak.

Obsah

Pred prvým použitím	4
Bezpečnostné pokyny	4
– Vhodný kuchynský riad	4
– Testovanie kuchynského riadu	5
– Príprava pokrmov	5
Technické údaje	6
Tabuľka varných nádob a prísušienstva	6
Inštalácia	7
– Vybalenie	7
– Inštalácia	7
– Zapojenie do elektrickej siete	7
Používanie mikrovlnnej rúry	8
– Označenia a funkcia jednotlivých častí	8
– Inštalácia rotačného taniera	8
– Ovládaci panel	9
– Mikrovlnná prevádzka	10
– Tabuľka výkonových stupňov	10
Tabuľky a tipy	11
– Rozmrazovanie	11
– Tipy pre mikrovlnnú prevádzku	12
Ošetrovanie a čistenie	13
– Čistenie prísušienstva	13
– Čistenie spotrebiča zvnútra	13
– Čistenie spotrebiča zvonka	13
Servis a náhradné diely	14
– Náhradné diely	14
– Záruka	14

Blahoželáme vám ku kúpe novej mikrovlnnej rúry

Ďakujeme vám, že ste si vybrali výrobok značky Zanussi. Sme presvedčení, že sa vaša nová mikrovlnná rúra stane užitočným pomocníkom vo vašej domácnosti. Tak ako pri iných domácich elektrospotrebičoch, aj pri tomto výrobku budete potrebovať určitý čas, aby ste sa naučili využívať všetky jeho funkcie a prednosti. Veríme, že sa pre vás stane vaša nová mikrovlnná rúra nepostrádateľnou.

Pred prvým použitím

Tento návod na používanie si dôkladne prečítajte. Ak ho preštudujete pozorne a budete sa riadiť uvedenými pokynmi, dosiahnete optimálne využitie vašej mikrovlnnej rúry Zanussi.

Návod na používanie je dôležitou súčasťou mikrovlnnej rúry. Ak spotrebič predáte, darujete, alebo ho necháte v starom byte, postarajte sa o to, aby sa návod na používanie dostal do rúk nového majiteľa. Ďalší užívateľ sa tak bude môcť oboznámiť s obsluhou spotrebiča a bezpečnostnými pokynmi.

Pred prvým použitím spotrebiča si pozorne prečítajte tento návod a riadte sa uvedenými pokynmi.

Bezpečnostné pokyny

- Vďaka zabudovanému bezpečnostnému spínaču sa mikrovlnná rúra nedá spustiť, keď sú jej dvierka otvorené.
- Za žiadnych okolností sa nesnažte uviest' mikrovlnnú rúru do prevádzky pri otvorených dvierkach, aby ste sa nevystavili vplyvu mikrovln.
- Dbajte na to, aby sa na tesnení dvierok neusadzovali zvyšky jedál alebo čistiaceho prostriedku. Prečítajte si kapitolu o čistení a ošetrovaní mikrovlnnej rúry.
- V prípade poruchy alebo poškodenia mikrovlnnú rúru v žiadnom prípade nepoužívajte. Opravu spotrebiča prenehajte kvalifikovaným servisným technikom.
- Je dôležité, aby sa dvierka mikrovlnnej rúry zatvárali bez problémov. Dvierka nesmú byť ohnuté, spojovacie kĺby a čapy nesmú byť zlomené alebo inak poškodené a tesnenie dvierok nesmie byť narušené.
- Za žiadnych okolností sa nepokúšajte opraviť spotrebič sami. Je nebezpečné upravovať alebo pozmerňovať spotrebič a jeho vlastnosti. V prípade poruchy sa obráťte na najbližšie autorizované servisné stredisko. Zoznam autorizovaných servisných stredísk je priložený.
- Nikdy neodstraňujte vonkajšiu plášť, dvierka alebo ovládací panel spotrebiča. Hrozí nebezpečenstvo zásahu elektrickým prúdom.
- Pri inštalácii a zapájaní mikrovlnnej rúry do elektrickej siete sa riadte pokynmi v kapitole Inštalácia.
- Mikrovlnnú rúru používajte len na špecifické účely, popísané v tomto návode. Pri čistení mikrovlnnej rúry nepoužívajte korozívne chemikálie.
- Mikrovlnná rúra je určená predovšetkým na tepelnú úpravu, zohrievanie a rozmrazovanie jedál. Mikrovlnná rúra nie je určená na priemyselné, laboratórne a komerčné účely. Pri používaní mikrovlnnej rúry na nevhodné účely záruka stráca platnosť.
- Nikdy nezapínajte prázdnu mikrovlnnú rúru. V opačnom prípade môže dôjsť k poškodeniu vnútorného magnetronového zariadenia.
- Mikrovlnnú rúru nikdy neumiestňujte v exteriéroch. Rovnako mikrovlnnú rúru nepoužívajte v blízkosti vody.
- Nedovoľte, aby sa do mikrovlnnej rúry dostali novinový papier alebo suché textilie. Môžu sa vznietiť.
- Deti smú obsluhovať mikrovlnnú rúru bez dohľadu dospelých, len ak sú oboznámené s bezpečnou prevádzkou a sú si vedomé nebezpečenstva, ktoré súvisí s nesprávnym používaním.
- Mikrovlnnú rúru nepoužívajte na skladovanie potravín. Ak je mikrovlnná rúra mimo prevádzky, nenechávajte v nej zvyšky papiera, obalov a kuchynské náradie.

Vhodný kuchynský riad

- Na používanie v mikrovlnnej rúre je vhodné najmä sklo, sklokeramika a predovšetkým tepluvzdorný sklenený riad. Mikrovlnná energia nepôsobí na väčšinu sklenených a porcelánových nádob, riad sa však zohreje vplyvom tepla z pokrmov. Pri vyberaní pokrmov z mikrovlnnej rúry použite ochranné rukavice, aby ste predišli popáleninám.

Testovanie kuchynského riadu

- Do mikrovlnnej rúry vložte kuchynskú nádobu spolu s pohárom plným vody a výkon nastavte na 700 W (100%). Čas ohrevania nastavte na jednu minútu. Ak je riad horúci, nemali by ste ho používať. Ak je mierne teplý, môžete ho používať na zohrievanie jedál. Ak má riad izbovú teplotu, môžete ho používať aj na tepelnú úpravu pokrmov.
- Obaly z materiálov, ako sú napr. servítky, voskový papier, papierové utierky, papierové šálky, kartónové škatule a lepenkové obaly sú vhodné pre použitie v mikrovlnnej rúre. Pred použitím sa vždy ubezpečte, že nie sú prázdne, aby ste zabránili prehriatiu.
- V mikrovlnnej rúre môžete používať veľa druhov umelohmotných riadov, šálok a obalov. Vždy sa riadte pokynmi výrobcu. Plastové obaly nepoužívajte, ak obsahujú príliš mastné jedlá alebo jedlá s vysokým obsahom cukru. Pri ich zohriatí môže dôjsť k poškodeniu obalu.
- V mikrovlnnej rúre nikdy nepripravujte bez dozoru jedlá v plastových, papierových alebo horľavých obaloch. Ak sa objaví dym, nechajte dvierka zatvorené, rúru vypnite, odpojte ju od elektrickej siete a počkajte, kým pokrm prestane dymiť.
- Kovový riad alebo riad s kovovým lemovaním, resp. ornamentom by ste v mikrovlnnej rúre nemali používať, ak to výrobca vyslovene neodporúča.
- V mikrovlnnej rúre nezohrievajte pokrmy v obaloch s úzkym otvorom, ako sú napr. fľaše.
- Pri snímaní pokrievok a uzáverov kuchynských nádob buďte opatrní a použite rukavice, aby ste predišli popáleninám.

Príprava pokrmov

- V mikrovlnnej rúre nikdy nezohrievajte potraviny v plechoviciach. Najprv ich preložte do nádoby, ktorú je vhodné používať v mikrovlnnej rúre.
- V mikrovlnnej rúre nikdy nefritujte a nepripravujte príliš mastné jedlá. Vzhľadom na to, že sa teplota tuku nedá kontrolovať, môže dôjsť k nebezpečným situáciám.
- Pukance môžete v mikrovlnnej rúre pripravovať len v špeciálnych obaloch, určených na tento účel. Tento proces treba neustále sledovať.
- Potraviny s pevnou šupou, resp. nepórovitou kožou (napr. jablká, zemiaky, kuracie pečienky, vajecné žĺtky), vždy prepichnete, aby ste zabránili tak utajenému varu vo vnútri pokrmov a ich následnej explózií.
- Deťskú výživu po zohriatí dobre premiešajte alebo pretrepte, aby sa teplo rovnomerne rozložilo. Skôr, ako výživu dieťaťu podáte, bezpodmienečne skontrolujte jej teplotu.

Upozornenie: Pri zohrievaní polievok, nápojov a omáčok v mikrovlnnej rúre sa môže stať, že pokrm vykypí bez toho, aby ste spozorovali bod varu. Aby ste sa vyhli uvedenému javu, odporúčame:

- Nepoužívajte nádoby s úzkym hrdlom.
 - Pokrmy neprehrievajte.
 - Pokrmy pred ich zohrievaním v mikrovlnnej rúre, ako aj v polovici procesu zohrievania premiešajte.
 - Po zohriatí nechajte pokrmy ešte chvíľu v mikrovlnnej rúre, a potom ich zamiešajte.
- Niektoré potraviny ako napr. celé vajcia alebo pokrmy v uzatvorených pohároch, môžu pri zohrievaní explodovať, preto ich neodporúčame pripravovať v mikrovlnnej rúre. Ak chcete v mikrovlnnej rúre pripraviť vajíčka, žĺtok vždy prepichnete a potom vajcia zakryte. Pred odokrytím pokrievky počkajte cca jednu minútu.

Upozornenia:

- Nikdy sa nepokúšajte násilím otočiť rotačný tanier; mohli by ste ho poškodiť.
- Príčinou iskrenia v mikrovlnnej rúre býva kovová kuchynská nádoba. Iskrenie môže spotrebič vážne poškodiť, preto treba program okamžite zastaviť a použitú nádobu skontrolovať.
- Dbajte na to, aby ventilačné otvory vo vrchnej, zadnej, bočnej a spodnej časti spotrebiča zostali voľné.

Spotrebič nepoužívajte na komerčné účely.

Mikrovlnná rúra je určená na používanie v domácnosti.

Dodržiavajte vyššie uvedené pokyny.

Inštalácia

Vybalenie

Po vybalení skontrolujte, či spotrebič počas prepravy neutrpel škody. A zistíte, že je rúra poškodená alebo nejaká jej časť chýba, bezodkladne sa obráťte na vášho dodávateľa. Rúra a jej príslušenstvo môže byť zabalené do ochrannej fólie. Pred prvým použitím spotrebiča treba fóliu bezpodmienečne odstrániť.

Obalový materiál odstráňte z dosahu detí.

Inštalácia

1. Z dvierok spotrebiča odstráňte všetky reklamné nálepky.
2. Spotrebič umiestnite na rovný a hladký povrch. Miesto umiestnenia spotrebiča musí byť dostatočne pevné, aby udržalo hmotnosť spotrebiča (14 kg) a jeho obsah, a stabilné, aby nedošlo k vzniku vibrácií.
3. Mikrovlnnú rúru umiestnite v dostatočnej vzdialenosti od vody a zdrojov tepla, ako sú napr. radiátor a boiler, aby ste sa vyhli zníženiu výkonu a poškodeniu spotrebiča.
4. Ventiláčny otvor v dolnej a bočných častiach spotrebiča nechajte voľné. Na hornú stranu spotrebiča nedávajte žiadne predmety. Pri zablokovaní ventiláčnych otvorov počas prevádzky sa môže rúra prehriať a následne poškodiť. Z ventiláčnych otvorov prúdi horúci vzduch. Dbajte na to, aby boli otvory vždy voľné, a aby sa medzi rúrou a zadnú stenu nedostali napr. záclony.
5. Mikrovlnnú rúru umiestnite čo najďalej od rádia alebo televízie. Tento spotrebič zodpovedá požiadavkám pre potlačenie rušenia prijmu*, ak ho však položíte príliš blízko rádia alebo televízie, môže sa príjem narušiť.
6. Ak rúru umiestnite do rohu, v záujme dostatočnej ventilácie zachovajte odstup od stien aspoň 10 cm.

* Tento spotrebič zodpovedá smernici 87/308/EWG, ktorá sa týka opatrení proti rušeniu prijmu.

Dôležité upozornenie!

Rúru môžete umiestniť kdekoľvek v kuchyni. Položte ju na rovnú a pevnú podložku. Ventiláčny otvor a dno spotrebiča musia zostať bezpodmienečne voľné (dostatočná ventilácia).

Zapojenie do elektrickej siete

SPOTREBIČ MUSÍ BYŤ BEZPODMIENEČNE UZEMNENÝ!

Výrobca nezodpovedá za škody spôsobené nerešpektovaním tohto bezpečnostného pokynu.

Spotrebič je dodávaný s prípojným káblom a štandardnou euro-zástrčkou pre zapojenie do elektrickej siete s parametrami 230 V, 50 Hz prostredníctvom uzemnenej elektrickej zásuvky.

Uzemnenie minimalizuje nebezpečenstvo skratu. Skontrolujte či nominálne napätie spotrebiča zodpovedá prípojnemu napätiu na mieste inštalácie.

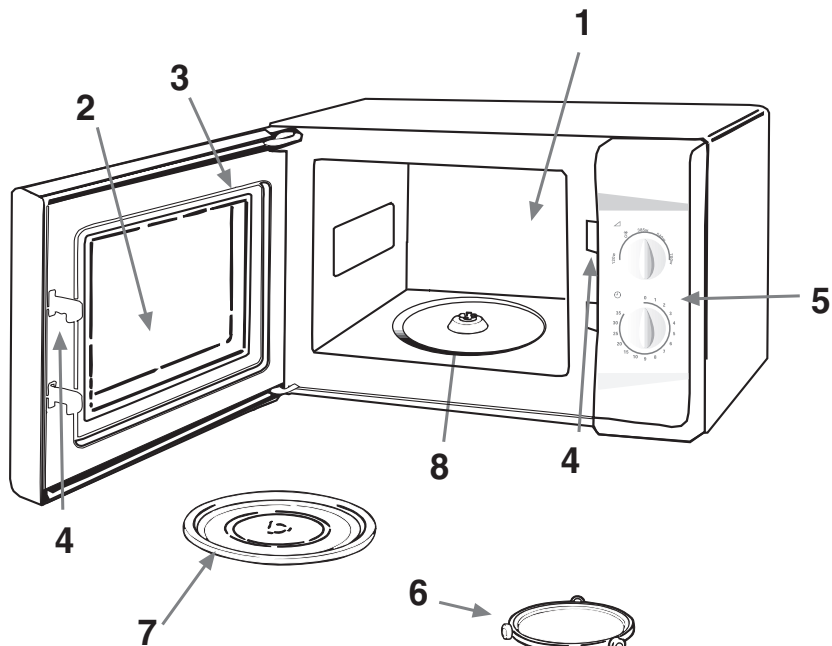
Ak hodláte rúru zapojiť do elektrickej siete prostredníctvom predživovacieho kábla, skontrolujte, či je kábel uzemnený. V prípade problémov alebo pochybností ohľadne zapojenia spotrebiča do elektrickej siete a uzemnenia sa obráťte na kvalifikovaného elektrikára.

Spotrebič musí byť bezpodmienečne uzemnený. Ak zástrčka spotrebiča nie je kompatibilná so zásuvkou na mieste umiestnenia, môžete zástrčku odstrániť a nahradiť ju novou. Z oddelenej zástrčky odstráňte poistku a zástrčku zlikvidujte, aby nedošlo k jej zapojeniu v inej zásuvke, čo by mohlo mať za následok úraz elektrickým napätím. Ak treba v dodávanej zásuvke vymeniť poistku, musíte nahradiť aj kryt poistky. Ak je kryt poistky poškodený alebo sa stratil, nesmiete zástrčku používať dovtedy, kým vám autorizovaný servisný technik nenainštaluje nový kryt poistky.

Pri výmene zástrčky spotrebiča postupujte takto:

1. Z odstránenej zástrčky odstráňte poistku.
2. Odstránenú zástrčku potom odstráňte, aby ste predišli nebezpečenstvu, ktoré hrozí pri zapojení zástrčky do niektorej zásuvky elektrickej inštalácie.

Používanie mikrovlnnej rúry

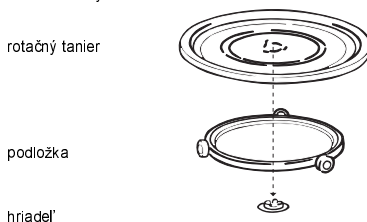


Označenie a funkcia jednotlivých častí

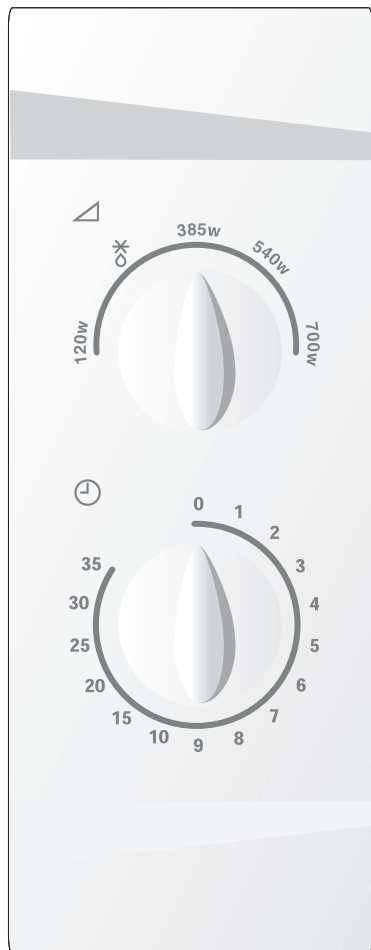
1. Pracovný priestor na tepelnú úpravu
Po každom použití dutinu rúry vytrite vlhkou handričkou.
2. Priehľadné okienko dverí
Ak je rúra v prevádzke, môžete cez okienko sledovať prípravu pokrmu.
3. Dvierka mikrovlnnej rúry
Počas prevádzky spotrebiča musia byť dvierka rúry vždy úplne zatvorené.
4. Príchytky dveriek a bezpečnostný blokovací systém
5. Ovládací panel
6. Podložka pod rotačný tanier
Podložku umiestňte na dno dutiny rúry pod rotačný tanier.
7. Rotačný tanier
Je vyrobený zo špeciálneho tepluvzdorného skla. Pokrm vo vhodnej nádobe treba položiť na rotačný tanier. Rúru nepoužívajte bez rotačného taniera.
8. Hriadel' rotačného taniera

Inštalácia rotačného taniera

1. Podložku rotačného taniera položte na dno dutiny rúry.
 2. Na podložku umiestnite rotačný tanier podľa pokynov na obrázku. Dbajte na to, aby bol rotačný tanier pevne prichytený v hriadeli. **Rotačný tanier nikdy nedávajte obrátené.**
- Rúru nikdy nepoužívajte bez podložky a rotačného taniera.
 - Pri tepelnej úprave musí byť pokrm vo vhodnej nádobe položený na rotačnom tanieri.
 - Rotačný tanier sa otáča v smere aĵ proti smeru hodinových ručičiek.



Ovládací panel



Ovládač výkonu

Služi na nastavenie požadovaného výkonu v škále od 120 do 700 W.

Ovládač času

Služi na nastavenie požadovaného času. Po nastavení času sa rúra spustí. Ovládač času bude pracovať presnejšie, ak najprv nastavíte vyššiu hodnotu, a potom hneď vrátite ovládač na požadovanú hodnotu.

Mikrovlnná prevádzka

1. Otvorte dverka, pokrm vo hodnej nádobe položte na rotačný tanier a dverka zatvorte.
2. Ovládačom výkonu nastavte zvolte požadovaný výkon (pozri nasledujúcu tabuľku).
3. Otočením ovládača času nastavte požadovaný čas tepelnej úpravy pokrmu.
4. Rúra začne pracovať.

Ak si želáte, aby tepelná úprava pokrmu trvala kratšie ako 2 minúty, nastavte najprv vyššiu hodnotu, a potom hneď vráťte ovládač na požadovanú hodnotu. Ak chcete tepelnú úpravu pokrmu skončiť, otočte ovládač času do polohy 0.

Upozornenie: Po každom použití rúry nastavte ovládač času do polohy 0, inak bude rúra pokračovať v prevádzke.


Príklad: 20-minútová tepelná úprava pri výkone 540W

1. Otočný ovládač výkonu nastavte na hodnotu 540 W.
2. Otočný ovládač času nastavte na hodnotu 20.
3. Rúra bude automaticky pracovať 20 minút pri výkone 540 W.

Zohrievanie hotových chladených pokrmov

- Pokyny výrobcov hotových pokrmov ohľadne času zohrievania, uvedené na obale výrobku, slúžia len pre orientáciu. Ak po uplynutí odporúčaného času zohrievanie pokrmu nie je teplý, vráťte ho do mikrovlnnej rúry a zohrievajte ho dlhšie. Postupujte podobne ako pri zohrievaní v bežnej rúre na pečenie.
- Pokrmu pravidelne premiešavajte, predovšetkým omáčky a polievky.
- Veľmi dôležitý je aj čas odstavenia pokrmu, ktorý je súčasťou procesu tepelnej úpravy pokrmu a zabezpečuje rovnomeré rozdelenie teploty v celom pokrme.

Tabuľka výkonových stupňov

Výkon	Využitie
120 W	Udržiavanie teploty pokrmov.
 230 W	Rozmrazovanie mrazených pokrmov
350 W	Stredný výkon rýchlejšie rozmrazovanie a zohrievanie hustých polievok a gulášov
540 W	Stredný výkon pečenie koláčov a pudingov
700 W	Max. výkon zohrievanie vody alebo tekutín, tepelná úprava zeleniny, prehrievanie a zapekanie pokrmov

Rozmrazovanie



Niektoré pokrmy, ako sú napr. ovocie a chlieb, môžete účinne rozmrazovať pri výkonovom stupni

Pokrm	Priprava	Čas	Odstátie
Chlieb			
Menší bochník	Položte na vhodný podstavec alebo špeciálny kuchynský papier. V polovici rozmrazovania obráťte.	8-10 min	10-15 min
Krájaný väčší bochník	Položte na vhodný podstavec alebo špeciálny kuchynský papier. V polovici rozmrazovania obráťte.	10-13 min	10 min
2 krajce	Položte na špeciálny kuchynský papier.	45-60 s	5 min
1 zemia	Položte na špeciálny kuchynský papier.	45-60 s	5 min
2 žemie	Položte na špeciálny kuchynský papier.	1-1,5 min	5 min
Koláče a cestoviny			
Torta 450 g	Odbalte a položte na tanier.	9-11 min	15-30 min
Syrový koláč 450 g	Odbalte a položte na tanier.	9-11 min	15-30 min
Koláč 450 g	Odbalte a položte na tanier.	7-9 min	15-30 min
Múčne jedlo 450 g	Odbalte a položte na tanier.	7-9 min	15-30 min
Maslo			
250 g (1 balenie)	Odbalte a položte na tanier.	3-4 min	5-10 min
Ovocie			
Mäkké bobuľovité ovocie 225 g	Položte v jednej vrstve na plytký tanier.	5-6 min	5-10 min
Mäkké bobuľovité ovocie 450 g	Položte v jednej vrstve na plytký tanier.	7-8 min	5-10 min
Krájaný pokrm			
400 g	Prikryte tanierom alebo vhodnou fóliou (nie PVC). Ak chcete pokrm aj zohriať, zvolte 100% výkon (700 W) a nastavte čas 3-4 minúty.	7-8 min	5-10 min
Zelenina			
	Zeleninu pred tepelnou úpravou nemusíte rozmrazovať. Ak chcete zeleninu rozmraziť aj zohriať, zvolte maximálny výkon (100%).		

Tipy pre mikrovlnnú prevádzku

- Rúru udržiajte vždy čistú. Dbajte na to, aby pokrmy nevykypeli a nezabudnite vyčistiť plochu pod skleneným rotačným tanierom a vnútornú stranu dvierok.
 - Pri tepelnej úprave v mikrovlnnej rúre používajte okrúhle a oválne nádoby.
 - Nepoužívajte kovový riad alebo riad s kovovou dekoráciou. Niektoré druhy plastu sa môžu vplyvom tepla z pokrmu roztopiť a zdeformovať.
 - Jedlo pripravujte vždy zakryté. Použite sklenenú pokrievku, tanier alebo špeciálny papier.
 - Pečivo, chlieb a iné múčniky môžete rozmrazovať priamo v košíku alebo na kuchynskom papieri.
 - Ak rozmrazujete jedlo v pôvodnom obale, otvorte ho. Odstráňte kovové spoje a spinky. Obaly s obsahom kovu nikdy nedávajte do mikrovlnnej rúry, iba ak to výrobca výslovne odporúča.
 - Na ochranu tenkých a chúlolistých kusov (nohy kurčáta) použite alobal.
 - Jedlá v šupke alebo potiahnuté kožou (zemiaky, klobásy) pred tepelnou prípravou prepichnete. V rúre nepripravujte vajcia, pretože môžu explodovať.
 - Pri tepelnej úprave väčších kusov dbajte na to, aby boli najhrubšie kusy na okrajoch nádoby. Pokrm sa snažte rozporciovať rovnomerne. Pokrm umiestnite vždy do stredu nádoby.
 - Jedlo sa pripraví rovnomerne, ak ho počas tepelnej úpravy občas premiešate.
 - Pri príprave pokrmu zvolte najskôr kratšiu dobu prípravy, aby ste sa vyhli prevareniu. Čím je jedla viac, tým dlhší čas je potrebný na jeho prípravu.
 - Pri príprave zeleniny používajte len minimálne množstvo vody.
 - Používajte menej dochucovadiel ako pri normálnej tepelnej úprave. Pokrm okoreňte až po skončení tepelnej úpravy.
 - V záujme rovnomernej tepelnej úpravy nechajte jedlo v mikrovlnnej rúre vždy pár minút odstáť.
 - Pred servirovaním skontrolujte, či je jedlo dostatočne teplé.
 - Pri vyberaní pokrmu z rúry používajte rukavice.
- **Zjemnenie medu**
Ak chcete vrátiť skryštalizovaný med od pôvodného stavu, odnime veľa nádoby, nádobu vložte do mikrovlnnej rúry, nastavte stredný výkon a rúru nechajte pracovať 2 minúty
 - **Roztopenie čokolády**
100 g čokolády rozlámte na kúsky, vložte do vhodnej nádoby, zohrievajte 1-2 minúty pri najvyššom výkone a potom dobre premiešajte.
 - **Zmäčenie alebo roztopenie masla**
Maslo sa roztopí za niekoľko sekúnd pri maximálnom výkone. Na zmäčenie postačí nižší výkonový stupeň.
 - **Zohrievanie chleba**
Na niekoľko sekúnd zvolte stredný výkonový stupeň.
 - **Jednoduché šúpanie cesnaku**
3 alebo 4 strúčiky cesnaku zohrievajte 15 sekúnd pri vysokom výkone. Na konci strúčik stlačte a cesnak sa ľahko zbaví šupy.
 - **Ovocná šťava**
Citrusové plody dajú viac šťavy, ak ich najprv na 15 sekúnd zohrejete pri vysokom výkone.
 - **Príprava obilnej kaše**
Kašu môžete pripraviť jednoducho v mikrovlnnej rúre priamo v servirovacom tanieri bez ulepených hrncov. Riadte sa pokynmi výrobcu pokrmu.

Ošetrovanie a čistenie

Spotrebič udržiajte v čistote. Zvyšky jedál priťahujú energiu mikrovln a pripalujú sa. To môže mať za následok nižšiu výkonnosť spotrebiča a vznik nepríjemného zápachu.

Nikdy sa nepokúšajte spotrebič opravovať sami. Opravy spotrebiča smie vykonávať výlučne kvalifikovaný servisný technik.

Pred čistením spotrebič odpojte od elektrickej siete.

Čistenie príslušenstva

(rotačného taniera a podložky)

Po odmontovaní umyte príslušenstvo šetrným čistiacim prostriedkom. S príslušenstvom manipulujte opatrne.

Pozor: Vnútro rúry a rotačný tanier sa počas prevádzky rúry značne zohrejú, preto sa ich bezprostredne po použití nedotýkajte.

Čistenie spotrebiča zvnútra

Vnútro rúry udržiajte čisté. Zvyšky jedál a prskance okamžite utrite. Nečistoty na stenách rúry, povrchu dvierok a tesnení pohlcujú mikrovlnnú energiu, redukovávajú výkon rúry a v krajnom prípade môžu poškodiť jej vnútro.

Na čistenie používajte šetrný tekutý čistiaci prostriedok, teplú vodu a mäkkú, čistú handričku.

ZÁSADNE NEPOUŽÍVAJTE ABRAZÍVNE, AGRESÍVNE A KOMERČNÉ ČISTIACE PROSTRIEDKY A DRÓTENKY.

Odolných nečistôt sa zbavíte jednoduchým spôsobom: v mikrovlnnej rúre nechajte zovrieť pohár vody po dobu cca 2-3 minúty.

NA ODSTRÁNENIE NEČISTÔT Z VNÚTORNÉHO POVRCHU MIKROVLNNEJ RÚRY NEPOUŽÍVAJTE NÔŽ A INÉ PREDMETY.

Nepriemný zápach po jedle odstránite týmto spôsobom: v mikrovlnnej rúre nechajte zovrieť po dobu 5 minút pohár s roztokom vlažnej vody a 2 polievkových lyžíc citrónovej šťavy.

Čistenie spotrebiča zvonka

Pri čistení ovládacieho panelu spotrebiča, nechajte pootvorené dvierka. Zabráňte tým neúmyselnému spusteniu spotrebiča.

Vonkajší plášť vyčistite roztokom šetrného čistiaceho prostriedku, potom čistou vodou odstráňte zvyšky čistiaceho prostriedku a následne vytrite dosucha mäkkou handričkou.

Na čistenie okna dvierok môžete použiť bežný univerzálny prostriedok s rozprašovačom. Na čistenie vonkajšej časti spotrebiča nepoužívajte abrazívne a agresívne čistiace prostriedky a drótenky. Dbajte na to, aby sa pri čistení do ventilačných otvorov nedostala voda.

Servis a náhradné diely

Ak spotrebič nepracuje tak, ako by mal, prečítajte si nasledujúcu kapitolu a riadte sa uvedenými pokynmi.

Spotrebič vôbec nefunguje?

Skontrolujte, či

- je spotrebič zapojený do elektrickej siete;
- je zástrčka zasunutá v zásuvke;
- v prípade potreby vymeňte poistku v zástrčke za novú s rovnakými parametrami a skontrolujte, či je zástrčka správne pripojená ku káblu;
- je zapnutý spínač zásuvky alebo elektrického obvodu;
- sú v poriadku poistky domácej elektrickej inštalácie;
- neide o prerušenie dodávky elektrického prúdu;

Ak sa poistky vypália viackrát za sebou, obráťte sa na kvalifikovaného elektroinštalatéra.

Mikrovlnná rúra nepracuje?

Skontrolujte, či

- sú dvierka dobre zatvorené;
- na dvierkach nie sú zachytené zvyšky pokrmov alebo iné predmety;
- sú tesnenia dvierok dokonale čisté;
- ste správne nastavili všetky ovládače;

Ak vám uvedené pokyny nepomôžu a porucha pretrváva aj naďalej, obráťte sa na autorizované servisné stredisko. Zoznam autorizovaných servisných stredísk je priložený.

Kompetentný servisný technik bude od vás požadovať nasledujúce údaje:

1. Meno, adresu a PSČ
2. Telefónne číslo
3. Stručný popis poruchy
4. Model a sériové číslo
5. Dátum kúpy

Tieto údaje umožnia pracovníkom servisu pripraviť správne náhradné diely. Vyhnete sa tak opakovanej návšteve servisných technikov a ušetríte.

Model a výrobné číslo nájdete na typovom štítku spotrebiča. Doporučujeme zapísať si ich do nasledujúceho zoznamu, aby ste ich mali vždy priruke:

Model: ZM17ML

Výrobné číslo: _____

Dátum kúpy: _____

Ak sa závada vyskytla počas záručnej doby, treba si prichystať aj doklad o kúpe spotrebiča.

Služby servisného strediska počas záručnej doby nebudú bezplatné, ak sa jedná o neopodstatnenú reklamáciu alebo poruchu, spôsobenú nesprávnym použitím spotrebiča. Preto sa dôsledne riadte pokynmi v tejto príručke.

Náhradné diely

Náhradné diely majú k dispozícii výlučne autorizované servisné strediská a zákaznicke centrum. V prípade poruchy sa preto vždy obráťte na autorizované servisné stredisko. Príslušný zoznam je priložený.

Záruka

Zanussi Slovakia, divízia Domáce spotrebiče, poskytuje na výrobky 2-ročnú záruku. Viac informácií o záruke nájdete na priloženom záručnom liste.

Conținut

Inainte de a utiliza cuptorul cu microunde Siguranța în utilizare - Instrucțiuni


– Siguranță în utilizarea grătarului - Instrucțiuni	4
– Testarea compatibilității vaselor	5
– Siguranța mâncării	5
– Ghidul ustensilelor și accesoriilor cuptorului	6

Date tehnice	6
---------------------	----------

Punerea în funcțiune	7
– Despachetarea	7

Instalare	7
– Conectarea la rețea	7
– Conexiuni electrice	7

Cum să utilizezi cuptorul tău cu microunde	8
---------------------------------------------------	----------

– Numele și rolul părților componente	8
– Instalarea platanului	8
– Tabloul de comandă	9
– Gătitul cu microunde	10
– Ghidul setării energiei electrice pentru cuptorul cu microunde	10
– Instrucțiuni de decongelare utilizând 	11
– Sugestii pentru utilizarea cuptorului cu microunde	12
– Ingrijire și curățare	13
– Curățarea accesoriilor (platan și suport)	13
– Curățirea interiorului	13
– Curățirea exteriorului	13

Service și piese de rezervă	14
------------------------------------	-----------

Condiții de garanție	15
-----------------------------	-----------

Stimați Clienți

Vă mulțumim că ați ales un produs Zanussi. Suntem convingși că veți ajunge la concluzia că noul d-voastră cuptor cu microunde vă este extrem de util și de mare ajutor. Ca și în cazul altor aparate de bucătărie, veți avea nevoie de timp pentru a vă familiariza cu toate funcțiile și caracteristicile lui dar, treptat, cuptorul va deveni un accesoriu indispensabil pentru bucătăria d-voastră.

Înainte de a utiliza Cuptorul cu Microunde

Citiți cu atenție instrucțiunile și urmați toate recomandările date; ele au fost concepute pentru a vă da posibilitatea să obțineți un randament maxim de la cuptorul cu microunde Zanussi recent achiziționat. Este important să păstrați manualul cu instrucțiuni pentru a putea fi consultat și în viitor. Dacă vindeți sau înstrăinați aparatul, sau dacă vă mutați lăsându-l la vechea locuință, asigurați-vă că noul proprietar primește manualul odată cu cuptorul, având astfel posibilitatea să cunoască modul lui de funcționare și principalele precauții care trebuie urmate pe perioada utilizării sale.

ISiguranța utilizării- instrucțiuni

- Întrerupătoarele de siguranță cuplate și încorporate împiedică cuptorul cu microunde să funcționeze când ușa este deschisă.
- Nu vă atingeți de întrerupătoare, sau nu încercați să puneți în funcțiune cuptorul când ușa este deschisă întrucât operarea lui cu ușa deschisă vă poate expune energiei microundelor.
- Nu lăsați ca stropii de mâncare imprăștiți sau scamele lăsate de lavetă să se acumuleze pe suprafețele izolatoare ale ușii. Vezi secțiunea Curățire și Ingrijire pentru instrucțiunile de curățire.
- Nu puneți în funcțiune cuptorul dacă este defect până când nu este reparat de un personal calificat
- Este deosebit de important ca ușa cuptorului să se închidă complet și ca 1) ușa (ondulări), 2) balamalele și zăvoarele (stricate sau nesigure), 3) etanșările ușilor și suprafețele de etanșare să nu prezinte defectuni.
- Sub nici un preț să nu încercați să reparați cuptorul prin forțe proprii. Reparațiile efectuate de persoane fără experiență pot provoca accidente sau funcționarea necorespunzătoare a aparatului. Contactați Atelierul de Service din localitate.
- Nu dislocați carcasa exterioră, ușa sau tabloul de comandă întrucât vă expuneți unui voltaj extrem de înalt.
- Instalați sau poziționați acest cuptor în conformitate cu **“INSTRUCIUNILE DE INSTALARE”** pe care le găsiți în manual.
- Utilizați aparatul pentru destinația lui așa cum este ea descrisă în manual. Nu utilizați chimicale corozive în acest cuptor conceput pentru a încălzi, găti sau decongela preparatele culinare. El nu a fost proiectat pentru utilizare industrială sau în laborator și nici pentru una comercială întrucât acest lucru ar invalida garanția.
- Nu puneți cuptorul în funcțiune când este gol. Dacă el nu conține alimente sau apă care să absoarbă energia microundelor, tubul magnetronului se poate deteriora.
- Este nevoie de o supraveghere atentă a cuptorului când este utilizat de copii.
- Nu păstrați acest aparat în exterior. Nu-l folosiți în apropierea apei.
- Nu încercați să uscați haine sau ziare în cuptor. Aceste articole se pot aprinde.
- Nu utilizați spațiul gol din interiorul cuptorului pentru a stoca produse. Nu lăsați bucăți de hârtie, ustensile de bucătărie sau alimente în interiorul cuptorului când acesta nu este utilizat.

Testarea compatibilității vasei utilizate la gătit

- Puneți un vas de gătit în cavitate împreună cu un pahar pe jumătate plin cu apă. Acționați cuptorul la 700W (100%) timp de un minut. Dacă vasul s-a înfierbântat, nu trebuie folosit. Dacă s-a încălzit ușor, poate fi utilizat la reîncălzirea mâncării dar nu și la gătit. Dacă a rămas la temperatura încăperii, poate fi folosit la gătitul cu microunde.
- Servetelele de hârtie, hârtia de parafină, farfuriile, ceștile cartoanele, ambalajele de produse congelate sunt ustensile extrem de utile. Asigurați-vă întotdeauna că recipientele sunt pline cu alimente care să absoarbă energia, evitând astfel posibilitatea supraîncălzirii.
Multe tipuri de farfurii de plastic, cești, recipiente pentru produse congelate și ambalaje din plastic pot fi utilizate în cuptorul cu microunde.
- Nu lăsați cuptorul nesupravegheat, și uitați-vă la el din timp în timp atunci când încălziți sau gătiți mâncare în plastic, hârtie sau alte recipiente combustibile. Dacă observați fum, țineți ușa închisă și opriți sau deconectați cuptorul până la oprirea fumului.
- Ustensilele metalice și ustensilele cu margini metalice nu ar trebui introduse în cuptorul cu microunde, dacă nu sunt recomandate special în acest sens.
- Recipientele cu deschideri mici, de exemplu sticlele, nu trebuie utilizate la gătitul cu microunde. Fiți precauți când îndepărtați capacul unei farfurii pentru a evita arsurile provocate de aburi.

Siguranța alimentelor

- Nu încălziți mâncare în căni. Transferați întotdeauna alimentele în recipiente potrivite.
- Nu prăjiți carne foarte grasă în cuptorul cu microunde întrucât temperatura grăsimilor nu poate fi controlată, existând riscul apariției unor situații neprevăzute.
- Puteți pregăti popcorn în cuptorul cu microunde, însă doar în pachete sau ustensile special desemnate în acest scop. Această operație de preparare nu trebuie lăsată nesupravegheată.
- Înțepați alimentele cu suprafețe sau membrane neporoase pentru a împiedica acumularea de abur și crăparea lor. Merele, cartofii, ficăteii de pui și gălbenușurile de ou sunt exemple de produse care trebuie înțepate.

ATENȚIE: Când încălziți lichide, ex. supe, sau băuturi în cuptorul cu microunde, supraîncălzirea lichidului dincolo de punctul de fierbere poate avea loc fără barbotare, ceea ce poate duce la darea în clocot a lichidului fierbinte. Pentru a împiedica această posibilitate este bine să urmați pașii următori:

1. Evitați folosirea recipientelor cu pereții drepecți și gâtul subțire.
 2. Nu supraîncălziți.
 3. Agitați lichidul înainte de a introduce recipientul în cuptor și încă odată la jumătatea timpului afectat încălzirii.
 4. După încălzire, lăsați lichidul în cuptor o perioadă scurtă de timp, amestecându-l cu grijă înainte de a scoate recipientul.
- Unele produse cum ar fi ouăle întregi sau recipientele sigilate – de exemplu borcanele de sticlă cu capac – pot exploda și nu ar trebui încălzite în cuptorul cu microunde. Ocazional, ochiurile pot exploda în timpul gătirii. Înțepați întotdeauna gălbenușul, apoi acoperiți-le și lăsați-le așa un minut înainte de a îndepărta capacul.

NOTĂ:

- Nu forțați rotirea manuală a platanului. Acest lucru poate duce la funcționarea necorespunzătoare a aparatului.
- Formarea unui arc electric în cuptor atunci când microundele sunt în stare de funcțiune se datorează utilizării ustensilelor metalice. Totuși, formarea continuă a acestor arcuri poate deteriora aparatul. Opriți programul și verificați ustensila.
- Trebuie să evitați obturarea orificiilor de aerisire plasate în părțile de sus, din spate, laterale și de jos ale cuptorului.

Nu folosiți acest cuptor în scopuri comerciale.

Acest cuptor a fost proiectat doar pentru uz casnic.

Păstrați aceste instrucțiuni

Ghidul ustensilelor și accesoriilor cuptorului

Pentru a găti în cuptorul cu microunde pot fi utilizate mai multe tipuri de ustensile și materiale. Pentru siguranța d-voastră și pentru a preveni deteriorarea ustensilelor și a cuptorului alegeți ustensile și materiale potrivite pentru fiecare metodă de gătit.

Lista de mai jos este un ghid general.

Materiale	Ustensile	Mod de operare
		Microunde
Ceramică & Sticlă	Corning ware	DA
	Sticlă rezistentă la căldură	DA*1
	Vase de sticlă cu decorații de metal	NU
	Sticla de cristal plumbuit	NU
Portelan	Porțelanuri fără decorații de metal	DA
Ceramică*2		DA
Materiale plastice	Cuptorul de microunde	DA
	Ambalaje din materiale plastice	DA
Metal	Tigaie metalică pentru copt	NU
	Folie de aluminiu*3	DA
Hârtie	Cești, farfurii, șervete	DA
	Hârtie ceruită	DA
Lemn		NU
Accesorii	Grilaj grătar	NU
	Platan	DA
	Suport platan	DA

DA: Ustensile și accesorii utilizabile

NU: Ustensile și accesorii de evitat

*1 Doar dacă nu au margine metalică.

*2 Doar dacă nu are email care conține metal.

*3 NOTA: Utilizați folie de aluminiu doar în scopuri de protecție, suprautilizarea poate crea arcuri electrice.

Date tehnice

Dimensiuni generale	Greutate 14 kg
	Volum 17 Litri
Lățime 459 mm	Sursă de energie 230V, 50 Hz
Adâncime 368 mm	Siguranță 10A
Înălțime 296 mm	
	Consum energie
Dimensiunea Cavității	Microunde 1200W
Lățime 282 mm	Energie furnizată
Adâncime 282 mm	Microunde 700W
Înălțime 206 mm	

Punerea în funcțiune

Despachetare

N.B. Când despachetați cuptorul, verificați dacă aparatul nu este deteriorat. Deteriorările sau orice părți lipsă trebuie imediat raportate detaliistului. Cuptorul, părți componente ale cuptorului sau accesoriile ar putea fi protejate de o folie ce trebuie îndepărtată înainte de a utiliza cuptorul. Nu abandonați ambalajele care ar putea cădea în mâna copiilor. Acest lucru poate provoca accidente.

Instalare

1. Îndepărtați orice etichetă promoțională de pe ușă.
 2. Instalați cuptorul pe o suprafață plată. Suprafața trebuie să fie suficient de rezistentă pentru a suporta fără probleme greutatea cuptorului (14 kg.) și conținutul ulterior al acestuia. Pentru a evita posibilitatea producerii de vibrații sau zgomote, cuptorul trebuie să fie într-o poziție stabilă.
 3. Așezați cuptorul departe de surse de căldură și apă. Expunerea la căldură și umezeală poate reduce eficiența și randamentul, așa că instalați cuptorul departe de sursele menționate.
 4. Nu blocați orificiile de ventilație din părțile de sus și laterale ale cuptorului și nu puneți obiecte pe cuptor. Dacă orificiile de aerisire sunt blocate în timpul funcționării, cuptorul se poate supraîncălzi, ceea ce poate duce la un randament necorespunzător al aparatului. Aerul fierbinte iese prin aceste orificii și în consecință, asigurați-vă că nu le obturați sau că nu există ecranări între cuptor și peretele din spate. Așezați cuptorul cât mai departe posibil de aparate de radio și televizoare. Acest aparat se conformează cerințelor CEE* referitoare la suprimarea interferențelor radio, dar unele interferențe pot apărea dacă aparatul este plasat prea aproape de radio sau televizor.
 6. Dacă așezați cuptorul într-un colț, lăsați un spațiu de cel puțin 10 cm. între aparat și perete din motive de ventilație.
- Important! Cuptorul poate fi plasat aproape oriunde în bucătărie. Asigurați-vă că este așezat pe o suprafață plată și că orificiile de ventilație și suprafața de sub cuptor nu sunt blocate (pentru a se obține o ventilație suficientă).

*Acest aparat se conformează cerințelor Directivei 87/308/CEE referitoare la Interferențele Radio.

Conectarea la rețea

Cuptorul este livrat împreună cu un cablu electric și o fisă de contact pentru o priză cu împământare de 230V, 50Hz. Protecția oferită de împământare minimizează riscurile în cazul unui scurt-circuit. Verificați dacă voltajul corespunde alimentării. N.B. Dacă cuptorul este conectat la priză printr-un prelungitor, verificați dacă cablul de prelungire este împământat.

ATENȚIE! Acest aparat nu trebuie alimentat de la o sursă de energie neîmpământată. Apelați la un electrician pentru orice problemă referitoare la conectarea electrică a cuptorului sau la asigurarea protecției prin împământare a furnizării de curent.

Acest aparat trebuie împământat. Dacă el este prevăzut cu o fisă de contact ne-recabilă pentru care priza d-voastră este nepotrivită, fisă trebuie tăiată și cuptorul prevăzut cu o fisă corespunzătoare. Dacă siguranța dintr-o fisă ne-recabilă trebuie schimbată, învelișul siguranței trebuie reajustat. Dacă învelișul este pierdut sau deteriorat, fisă nu trebuie utilizată până când acest înveliș nu este înlocuit.

Conexiuni electrice

Acest aparat este livrat echipat cu o fisă euro standard cu 2 știfturi !!!!

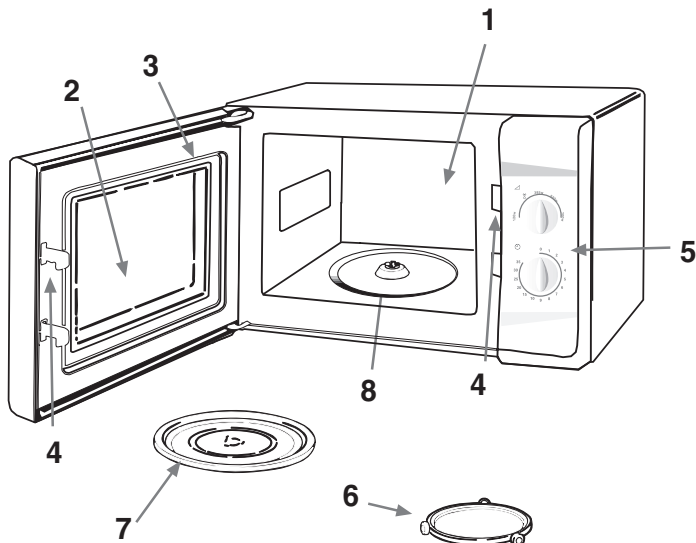
ATENȚIE! ACEST APARAT TREBUIE ÎMPĂMÂNTAT.

Producătorul își declină orice responsabilitate dacă această măsură de siguranță nu este luată în considerare.

- Dacă fisă cu care este echipat aparatul nu este potrivită pentru priză de care dispuneți, ea trebuie tăiată și înlocuită cu una potrivită.

Îndepărtați siguranța din fisă înlocuită. Fisă înlocuită trebuie aruncată pentru a preveni curentările care s-ar produce dacă din întâmplare ar fi introdusă într-o priză în altă parte a casei.

Gătitul la microunde



Numele și funcția părților componente ale platanului

1. Compartimentul pentru gătit. Curățați compartimentul cu o cârpă după utilizarea cuptorului.
2. Fereastra spre interior. Mâncarea poate fi observată în timp ce cuptorul este în funcțiune.
3. Ușa cuptorului. Ușa trebuie întotdeauna închisă bine în timpul gătitului.
4. Cârligul zăvorului și sistemul de blocare de siguranță.
5. Tabloul de comandă.
6. Suport platan. Puneți suportul în camera de gătit și așezați platanul pe el.
7. Platanul. Realizat dintr-o sticlă specială rezistentă la căldură.
8. Axul de transmisie pentru platan

Mâncarea aflată într-un recipient este pusă pe această tavă pentru a fi gătită. Nu folosiți cuptorul fără platan.

Mâncarea aflată într-un recipient este pusă pe această tavă pentru a fi gătită. Nu folosiți cuptorul fără platan.

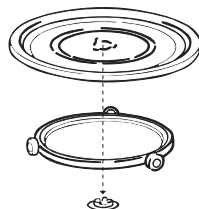
Cum să utilizați cuptorul cu microunde

1. Puneți suportul platanului în cavitate.
2. Puneți platanul pe suport așa cum este arătat în diagramă. Asigurați-vă că butucul este bine fixat în axul platanului. **Nu așezați niciodată platanul cu fața în jos.**
 - Atât platanul cât și suportul trebuie folosite în permanentă în timpul gătitului.
 - Atât mâncarea cât și recipientele vor fi puse pe platan în timpul gătitului.
 - Platanul se rotește atât în sensul acelor de ceasornic cât și invers. Acest lucru este normal.

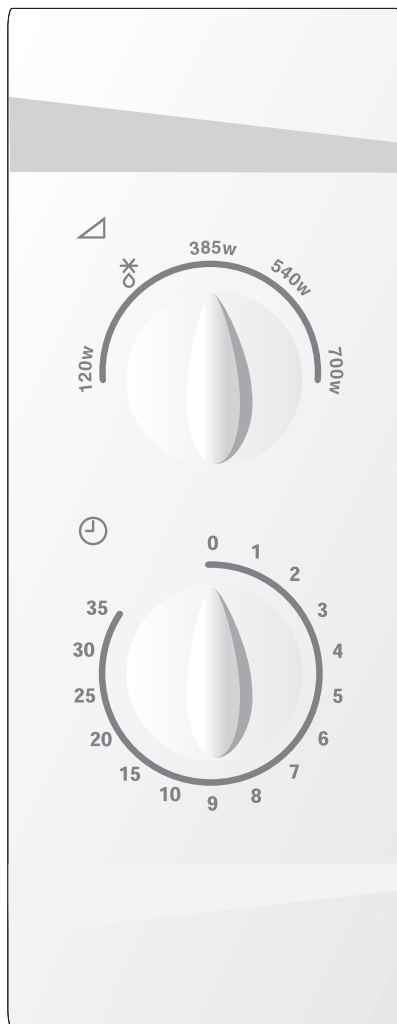
Platan

Suport rotativ

Axul platanului



Tabloul de comandă



1. Selectorul de putere

Acționați acest buton pentru a alege nivelul de putere corect pentru mâncarea dorită.

2. Cronometror

Fixați-l la timpul dorit pentru gătit. Operația de gătit începe. Toate cronometroarele cu mecanism de ceasornic acționează mai precis dacă sunt fixate la mai mult decât timpul dorit, și apoi reveniți la cel inițial stabilit

Gătirea la microunde

1. Deschideți ușa, puneți mâncarea pe platan. Închideți ușa.
2. Fixați selectorul de putere la puterea dorită (Vezi tabelul de mai jos)
3. Fixați cronometrul la timpul dorit.

Cuptorul începe să gătească.

Când perioada de gătit este fixată la mai puțin de 2 minute, fixați cronometrul la mai mult de 2 minute și apoi reveniți la timpul dorit.

Pentru a opri cuptorul în timpul gătitului, pur și simplu întoarceți cronometrul la poziția 0.

Notă: După utilizare, verificați dacă ați întors cronometrul la 0, pentru că, în caz contrar, cuptorul va continua să funcționeze.


Exemplu: Pentru a găti la 540W timp de 20 de minute

1. Fixați selectorul de putere la 540W.
2. Fixați cronometrul la 20'
3. Cuptorul va începe automat să gătească timp de 20 minute la 540W

Reîncălzirea mâncărilor găsite insuficient de fierbinți


- Timpul propus de producător pentru gătitul unui fel de mâncare este doar orientativ. Dacă după expirarea timpului propus mâncarea nu este extrem de fierbinte, introduceți-o înapoi în cuptor și lăsați-o acolo până va ajunge la temperatura corespunzătoare. Acest mod de a proceda nu diferă de gătitul în cuptoarele clasice.
- Amestecați mâncarea în mod regulat, mai ales sosurile.
- Timpul de staționare (când mâncarea este lăsată în cuptor încă o perioadă după oprirea acestuia) este foarte important; este parte integrantă a gătitului și permite atingerea unei temperaturi egale în întreaga mâncare.

Ghid pentru setarea puterii microundelor

Fixarea Puterii	Recomandări de utilizare
120W	Încălzire; Încălzirea mâncării
(230W) 	Decongelare; Dezghețarea mâncărilor congelate.
350W	Mediu; Decongelare mai rapidă și reîncălzire pentru musacale și ghiveciuri.
540W	Mediu; La 600 w : se coc prăjituri și pudding-uri biscuit; se reîncălesc alimente găsite în prealabil; se prăjește carnea de porc, vită și pui.
700W	Se fierb sau se reîncălesc lichide. Se Prepară legume. Se preîncălesc mâncărurile rumenite.

Recomandări pentru utilizarea decongelării

Unele alimente, de exemplu pâinea și fructele, pot fi decongelate manual utilizând setările de putere.

ALIMENTE	PREPARARE		TIMP de
			STATIONARE
Pâine			
Franzelă mică	Puneți franzela pe suportul de siguranță al cuptorului sau pe un șervețel de bucătărie. Înțoarceți franzela la jumătatea timpului de decongelare.	8-10 min.	10-15 min.
Franzelă mare feliată	Puneți franzela pe suportul de siguranță sau pe un șervețel de bucătărie. Înțoarceți franzela la jumătatea timpului de decongelare.	10-13 min.	10 min.
2 felii	Puneți-le pe un șervețel de bucătărie.	45-60 sec.	5 min.
1 chiflă de pâine	Puneți chifla pe un șervețel de bucătărie.	45-60 sec.	5 min.
2 chifle de pâine	Puneți chiflele pe șervețele de bucătărie.	1-1 1/2 min.	5 min.
Prăjituri și produse de patiserie			
Prăjitură 450g/1 lb	Scoateți prăjitura din ambalaj și puneți-o pe farfurie.	9-11 min.	15-30 min.
Prăjitură cu brânză 450g/1 lb	Scoateți prăjitura din ambalaj și puneți-o pe farfurie.	9-11 min.	15-30 min.
Plăcintă (gata preparată) 450g/1 lb	Scoateți plăcinta din ambalaj și puneți-o pe farfurie.	7-9 min.	15-30 min.
Produse de patiserie 450g/1 lb	Scoateți produsele din ambalaj și puneți-le pe farfurie.	7-9 min.	15-30 min.
Unt			
250g/8.8 oz (1 pachet)	Dacă este ambalat, scoateți untul din ambalaj și puneți-l pe o farfurie.	3-4 min.	5-10 min.
Fructe			
225g/8 oz Fructe boabe moi.	Puneți-le pe un singur strat într-o farfurie întinsă.	5-6 min.	5-10 min.
450g/1 lb Fructe boabe moi	Puneți-le pe un singur strat într-o farfurie întinsă.	7-8 min.	5-10 min.
Mâncare acoperită			
400g/14 oz	Acoperiți mâncarea cu o farfurie sau cu o peliculă adezivă non-CPV. Pentru a o reîncălzi, folosiți microundele 100% (700W) timp de 3-4 minute.	7-8 min.	5-10 min.
Legume			
	Nu este necesar să dezghețați legumele înainte de a fi gătite. Toate legumele pot fi dezghețate și gătite 100% la (700W).		

Sugestii pentru utilizarea microundelor

- Păstrați întotdeauna cuptorul curat – evitați împrăștierea stropilor de mâncare și nu uitați să curățați sub tava de sticlă și interiorul ușii.
- Este de preferat să folosiți caserole rotunde sau ovale cu capac când gătiți în cuptorul cu microunde.
- Nu folosiți caserole de metal sau cu decorații de metal. Anumite materiale de plastic se pot topi și deforma din cauza mâncărurilor fierbinți.
- Acoperiți mâncarea când gătiți. Folosiți un capac de sticlă, o farfurie sau un carton rezistent la grăsime.
- Produsele de patiserie, pâinea și alte produse asemănătoare pot fi decongelate direct într-un coș de pâine sau pe un șervet de hârtie.
- Dacă alimentele înghețate sunt încălzite în propriul ambalaj, ambalajul trebuie desfăcut. Ambalajele conținând metal sau decorații metalice nu trebuie utilizate dacă nu există recomandări speciale în acest sens.. Îndepărtați agrafele metalice și legăturile de sârmă.
- Foliile de aluminiu de dimensiuni mai mici pot fi utilizate pentru a acoperi tipuri de carne care se pot arde ușor cum ar fi piciorușele de pui.
- Alimentele cu coajă sau pielită, e.g. cartofii sau cârnații, trebuie înțepate cu o furculiță. Nu fierbeți ouă în cuptorul cu microunde deoarece pot exploda.
- Puneți bucățile mari și groase aproape de marginea caserolei și încercați să tăiați mâncarea în bucăți egale . Puneți alimentele întotdeauna în centrul cuptorului.
- Mâncarea va fi gătită egal dacă o amestecați sau o întoarceți de câteva ori.
- Fixați întotdeauna un timp de gătit mai scurt decât cel indicat în rețeta d-voastră pentru a evita arderea mâncării. Cu cât cantitatea de mâncare este mai mare cu atât este nevoie de mai mult timp de gătit.
- Folosiți apă puțină (sau chiar deloc) pentru legume.
- Folosiți mai puține condimente și sare decât pentru un gătit "normal".
- Asezonați ulterior.
- Acordați mâncării câteva minute ca timp de "staționare" după ce cuptorul a fost oprit pentru a asigura un gătit complet și egal.
- Verificați întotdeauna dacă toată mâncarea este foarte fierbinte înainte de a fi servită.
- Folosiți suporturi de vase sau mănuși pentru a scoate mâncarea din cuptor.

Sfaturi pentru utilizarea microundelor

● Fluidizarea mierii

Dacă aveți un borcan de miere care s-a cristalizat, scoateți capacul, introduceți borcanul în cuptor și acționați microundele la putere medie timp de 2 minute.

● Topirea ciocolatei

Rupeți un baton de ciocolată de 100g în bucăți pătrate, puneți-le într-o cupă și încălziți-le la putere mare 1-2 minute amestecând bine.

● Fluidizarea sau topirea untului

Topirea ia doar câteva secunde la putere mare. Pentru fluidizare este mai bine să folosim o putere mică a microundelor.

● Improspătarea sau încălzirea pâinii

Folosiți o putere medie timp de câteva secunde.

● Decojirea facilă a usturoiului

Încălziți 3 sau 4 căței de usturoi la putere mare timp de 15 secunde. Strângeți căpățâna la un capăt până iese din teacă.

● Sucul de fructe

Fructele citrice vor da mai mult suc dacă sunt încălzite 15 secunde la putere mare înainte de a le stoarce.

● Cum se gătește porridge

Porridge-ul poate fi gătit ușor în farfuria în care este servit fără a mai fi nevoie să spălați tigăi unsuroase. Urmați recomandările producătorilor de alimente.

Ingrijire și Curățire

Cuptorul trebuie menținut întotdeauna curat. Resturile de mâncare vărsate sau împrăscate atrag energia microundelor care le vor arde. Acest lucru reduce eficiența cuptorului și poate produce mirosuri neplăcute. Nu încercați să reparați sau să aduceți ajustări unor părți componente ale . Reparațiile trebuie făcute doar de un tehnician calificat.

Asigurați-vă că aparatul este deconectat de la sursa de electricitate înainte de curățire.

Curățirea accesoriilor (platan și suport)

Curățiți-le cu un detergent slab după ce le-ați scos din cavitate. Suportul platanului trebuie manipulat cu grijă.

ATENȚIE: Interiorul cuptorului și platanul devin foarte fierbinți, așa că nu le atingeți imediat după utilizare.

Curățirea interiorului

Mențineți interiorul cuptorului întotdeauna curat. Stergeți depunerile de mâncare vărsate sau împrăscate imediat. Resturile lăsate pe pereții cuptorului, pe izolația ușii și pe suprafețele de etanșare vor absorbi energia microundelor, reduce eficiența cuptorului și, posibil, deteriorează interiorul cuptorului. Folosiți un detergent slab, lichid, apă caldă și o cârpă moale și uscată pentru a îndepărta depunerile..

NU FOLOSITI NICIODATĂ CURĂȚITOARE ABRAZIVE, CURĂȚITOARE DE CUPTOR DIN COMERT SAU PERNIȚE DIN VATA DE STICLA PENTRU A CURĂȚI ORICE PARTE A CUPTORULUI CU MICROUND.

Pentru a facilita îndepărtarea depunerilor dificile, fierbeți o ceașcă de apă în cuptor timp de 2-3 minute.

NU UTILIZATI NICIODATĂ CUȚITE SAU ORICE ALTE USTENSILE PENTRU A INDEPĂRTA DEPUNERILE DE PE SUPRAFAȚA CUPTORULUI.

Pentru a îndepărta mirosurile neplăcute din interiorul cuptorului, fierbeți o ceașcă de apă cu 2 linguri de suc de lămâie timp de 5 minute.

Curățirea exteriorului

Deschideți ușa cuptorului când controlați tabloul de comandă. Acest lucru va împiedica întoarcerea accidentală a cuptorului. Suprafețele exterioare ale cuptorului ar trebui curățate cu un detergent lichid ușor și cu apă și apoi clătite cu apă curată pentru a îndepărta excesul de detergent. Uscarea trebuie făcută cu o cârpă moale. Spray-urile pentru curățirea ferestrelor sau a bucătărilor pot fi de asemenea utilizate. Nu folosiți niciodată curățitoare abrazive sau chimicale dure pentru a curăța suprafețele exterioare ale cuptorului. Pentru a preveni deteriorarea părților lucrătoare nu lăsați să intre apă în orificiile de ventilație.

Service și piese de rezervă

Dacă aparatul nu funcționează corect, efectuați următoarele verificări înainte de a contacta Service-ul local

Dacă cuptorul nu pornește:

- Verificați dacă aparatul este conectat la rețea.
- Verificați dacă fișa de contact este introdusă complet.
- Dacă e cazul, înlocuiți rezistența din fișă cu o alta de același tip și verificați dacă fișa este conectată corect.
- Verificați dacă orice comutator, la priza din perete sau în altă parte în circuit, este DESCHIS.
- Verificați dacă priza din perete funcționează punând în priză un aparat care știți că funcționează.
- Verificați rezistența din cutia de rezistențe

Dacă microundele nu funcționează:

- S-ar putea ca Dispozitivul pentru securitatea copilului cu care este prevăzut aparatul să fi fost setat (lucru posibil la unele modele).
- Verificați dacă comenzile au fost setate corect.
- Verificați ajustările/procedurile consultând manualul cu instrucțiuni.
- Verificați dacă ușa este închisă corect (Dacă particulele de mâncare sau alte lucruri rămân în cadrul ușii, ușa nu se va închide corect și cuptorul nu va funcționa.)
- Verificați dacă butonul START este activat.

Dacă cuptorul totuși nu funcționează corect după verificările de mai sus, contactați Service-ul Zanussi local. Adresele pot fi găsite în următoarele pagini ale acestui ghid.

IMPORTANT :

Dacă chemați un tehnician pentru una din defecțiunile de mai sus sau pentru a repara o defecțiune cauzată de o instalare incorectă, veți fi obligați să plătiți reparația chiar dacă aparatul mai este în garanție.

Când apelați Service-ul, vi se vor cere următoarele informații:

1. Numele, adresa și codul poștal
2. Numărul de telefon
3. Detalii clare și concise despre defecțiune
4. Numărul modelului
5. Numărul seriei
6. Data de cumpărare

Vă sfătuim să vă notați informațiile de mai jos pentru a avea la îndemână informațiile

Numărul modelului:

Numărul seriei:

Data cumpărării:

Dacă aparatul este încă în garanție, trebuie să fiți siguri că verificările necesare au fost efectuate pentru că chemarea unui tehnician vă costă dacă problema nu este de natură mecanică sau electrică.

Vă rugăm să notați că trebuie să prezentați dovada cumpărării aparatului când chemați un tehnician în perioada de garanție.

Piese de rezervă

Piesele de rezervă pot fi cumpărate prin Service-ul Zanussi din localitatea d-voastră.

Serviciul Clienți

Pentru toate întrebările generale legate de aparatul Zanussi achiziționat sau pentru alte informații despre alte produse Zanussi, contactați Serviciul nostru Clienți prin e-mail sau telefon.

Condiții de garanție

1. Garanția este valabilă 12 de luni începând din momentul în care aparatul este înmănat primului cumpărător detailat, lucru care trebuie verificat prin factura de cumpărare sau printr-un document similar. Garanția nu acoperă utilizarea comercială.
2. Garanția acoperă toate părțile sau componentele care se defectează datorită execuției defectuoase sau materialului de proastă calitate. Garanția nu acoperă aparatele ale căror performanțe necorespunzătoare se datorează utilizării greșite, neglijenței, instalării defectuoase, modificărilor sau încercărilor de reparații neautorizate, avariilor accidentale, utilizării comerciale sau neobservării recomandărilor sau cerințelor stipulate în manualul de instrucțiuni. Această garanție nu acoperă părți componente precum becuri, articole din sticlă sau din materiale plastice.
3. Dacă aparatul necesită reparații acoperite de garanție cumpărătorul trebuie să informeze cel mai apropiat birou de serviciu clienți (Serviciu **ZANUSSI** sau un agent autorizat). **ZANUSSI** își rezervă dreptul de a stipula locul reparației (i.e. locuința clientului, locul de instalare sau un atelier **ZANUSSI**).
4. Garanția sau înlocuirea gratuită include atât manopera cât și materialele.
5. Reparațiile efectuate în perioada de garanție nu extind această perioadă. Părțile înlocuite în perioada de garanție devin proprietatea **ZANUSSI**-ului.
6. Drepturile statutare ale cumpărătorului nu sunt afectate de această garanție..

Sadržaj

Prije uporabe vaše mikrovalne pećnice	4
Sigurnosne upute	4
- Sigurnost pribora	4
- Provjera prikladnosti posuđa	5
- Sigurnost namirnica	5
- Vodič kroz pribor i opremu pećnice	6
Tehnički podaci	6
Priprema za uključivanje mikrovalne pećnice	7
- Skidanje ambalaže	7
Postavljanje	7
- Priključak na mrežno napajanje	7
- Električki priključak	7
Kako se koristi vaša mikrovalna pećnica	8
- Naziv i funkcija dijelova	8
- Postavljanje okretnog tanjura	8
- Upravljačka ploča	9
- Kuhanje s mikrovalovima	10
- Vodič za podešavanje snage mikrovalova	10
- Upute za odmrzavanje	11
- Natuknice o mikrovalnoj pećnici	12
- Održavanje i čišćenje	13
- Čišćenje opreme (okretni tanjur i podupirač)	13
- Čišćenje unutrašnjosti	13
- Čišćenje vanjskog dijela pećnice	13
Servis i nadomjesni dijelovi	14

Čestitamo na kupovini vaše nove mikrovalne pećnice

Hvala vam na odabiru Zanussi proizvoda. Sigurni smo da će vam nova mikrovalna pećnica biti vrlo korisna i od velike pomoći. Kao što je slučaj i s ostalim novim kuhinjskim uređajima, potrebno je određeno vrijeme da naučite sve nove funkcije i mogućnosti, ali s vremenom, ova pećnica će vam postati nezamjenjiva.

Prije uporabe vaše mikrovalne pećnice

Pažljivo pročitajte upute za uporabu. Upute koje slijede pripremljene su kako bi vam omogućile optimalno korištenje vaše nove mikrovalne pećnice.

Molimo vas da ih pročitate pažljivo. Vrlo je važno da ove upute sačuvate uz uređaj za daljnje korištenje. Ako uređaj prodate ili posudite drugoj osobi, ili ako se preselite i ostavite uređaj, uvijek provjerite da li su upute pohranjene uz uređaj kako bi se novi vlasnik mogao upoznati s načinom rada i odgovarajućim upozorenjima. Molimo vas da prije korištenja uređaja pročitate ove upute u potpunosti i potom slijedite dane preporuke.

Sigurnosne upute

- Ugrađeni sigurnosni prekidač za blokadu onemogućava korištenje mikrovalne pećnice dok su otvorena vrata.
- Ne "prčkajte" oko vrata i ne pokušavajte uključiti pećnicu ako su vrata otvorena, jer se na taj način možete izložiti energiji mikrovalova.
- Ne dopustite prosipanje hrane ili nakupljanje ostataka sredstva za čišćenje na površini brtve vrata. Pogledajte poglavlje Čišćenje i održavanje za upute u vezi čišćenja.
- Ne koristite oštećen uređaj dok ga ne popravi stručna i ovlaštena servisna osoba.
- Posebno je važno da vrata pećnice budu pravilno zatvorena i da nema oštećenja na: (1) vratima (svinuta), (2) šarkama i zasunima (slomljeni ili nesigurni), (3) brtve na vratima i površini brtve vrata.
- Nikad ne pokušavajte sami popravljati pećnicu, nestručni popravci mogu uzrokovati ozljede i ugroziti funkcioniranje pećnice. Ako trebate servisnu uslugu potražite je u najbližem ovlaštenom servisu.
- Nikada ne skidajte vanjsko kućište, vrata ili upravljačku ploču. Ako to učinite postoji opasnost od izlaganja iznimno visokom naponu.
- Postavljanje i smještanje ove pećnice izvršite samo u skladu s poglavljem "**UPUTE ZA POSTAVLJANJE**" ovih uputa.
- Ovaj uređaj koristite samo u svrhe za koje je proizveden, kao što je opisano u ovom uputstvu. Ne koristite korozivna kemijska sredstva u uređaju. Ovaj tip pećnice posebno je dizajniran za zagrijavanje, kuhanje ili odmrzavanje hrane. Uređaj nije namijenjen za industrijsku, laboratorijsku ili komercijalnu uporabu i u tom slučaju gubite pravo na jamstvo.
- Ne koristite pećnicu ako je prazna. Ako nema hrane ili vode za apsorpciju mikrovalne energije, može doći do oštećenja cijevi magnetrona.
- Djeca smiju koristiti pećnicu samo uz strogi nadzor.
- Ne spremajte uređaj izvan kuće. Ne koristite ovaj proizvod u blizini vode.
- Ne pokušavajte sušiti odjeću ili novine u mikrovalnoj pećnici. Može doći do požara.
- Ne koristite unutrašnjost pećnice kao spremnik. Ne ostavljajte papirnate proizvode, pribor za kuhanje, ili hranu u unutrašnjosti pećnice kada ju ne koristite.

Sigurnost pribora

Većina staklenog, staklo-keramičkog i vatrostalnog kuhinjskog pribora izvrsna je za uporabu u mikrovalnoj pećnici. Premda mikrovalna energija neće zagrijati većinu staklenih i keramičkih predmeta, ovaj pribor može postati vruć zbog prijenosa topline sa hrane na spremnik. Preporučujemo stoga uporabu u zaštitnih termo-rukavica pri vađenju posuđa.

Provjera prikladnosti posuđa

- Postavite posudu u mikrovalnu pećnicu zajedno sa čašom napunjenom do polovice vodom. Zagrijavajte je na 700 W (100%) jednu minutu. Ako je nakon toga posuda vruća, ne bi je trebali koristiti. Ako je lagano zagrijana, možete je koristiti za prigrizivanje ali ne i za kuhanje. Ako je posuda sobne temperature, prikladna je za mikrovalno kuhanje.
- Papirnati ubrusi, voštani papir, papirnati ručnici, tanjuri, čaše, omoti za zamrzivač i kartoni su pribor velike prikladnosti. Uvijek budite sigurni da je spremnik napunjen hranom koja će apsorbirati energiju i ukloniti mogućnost pregrijavanja.
- Razno plastično posuđe, čaše, spremnici za zamrzivač i plastični omoti mogu se koristiti u mikrovalnoj pećnici. Slijedite upute proizvođača kada koristite plastiku u pećnici. Izbjegavajte korištenje plastičnog pribora s hranom koja sadrži visoki postotak masnoća ili šećera, ta hrana postiže visoke temperature i može rastopiti neke plastike.
- Ne ostavljajte pećnicu bez nadzora, pogledajte je s vremena na vrijeme kada podgrijavate ili kuhate hranu u plastičnim, papirnatim ili ostalim zapaljivim spremnicima. Ako ste zapazili dim, zatvorite vrata zatvorenima, isključite pećnicu ili izdignite mrežni utikač dok dim ne nestane.
- Metalni pribor i pribor s metalnim ukrasima ne bi trebali koristiti u mikrovalnoj pećnici, osim ako nije posebno preporučeno za uporabu u mikrovalnoj pećnici.
- Spremnici sa malim otvorima, kao što su boce, ne bi trebali biti korišteni za mikrovalno kuhanje.
- Budite oprezni pri skidanju poklopa ili pokrova s posuđa kako bi izbjegli opekline parom.

Sigurnost namirnica

- Ne zagrijavajte hranu u konzervama u mikrovalnoj pećnici. Uvijek prebacite hranu u prikladan spremnik.
- Prženje u ulju ("fritiranje") ne možete vršiti u mikrovalnoj pećnici, jer se temperatura masti ne može kontrolirati što može dovesti do opasnih situacija.
- Kokice možete pripremati u mikrovalnoj pećnici, ali samo u posebnim pakiranjima ili priboru dizajniranom posebno za ovu namjenu. Ova operacija kuhanja se nikada ne bi trebala izvoditi bez nadzora.
- Namimice s neporoznom kožicom ili juskom probušite kako bi izbjegli stvaranje pare i rasprskavanje. Jabuke, krumpiri, pileća jetra i žumanjci su primjer namirnica koje treba probušiti.

UPOZORENJE: Kada zagrijavate tekućine, kao što su npr. juhe, umaci i napitci u vašoj mikrovalnoj pećnici, može se dogoditi pregrijavanje tekućine iznad točke vrenja bez vidljivih mjehurića. To može rezultirati iznenadnim ključanjem vruće tekućine. Kako bi spriječili ovu mogućnost učinite sljedeće:

1. Izbjegavajte korištenje spremnika s pravilnim stranicama i uskim grlima.
 2. Ne pregrijavajte tekućinu.
 3. Promiješajte tekućinu prije stavljanja spremnika u pećnicu i ponovite to na pola puta kroz vrijeme zagrijavanja.
 4. Nakon zagrijavanja, ostavite spremnik u pećnici kratko vrijeme, promiješajte ponovno prije pažljivog uklanjanja spremnika.
- Neki proizvodi kao što su cijela jaja i zabrtvljeni spremnici - kao što su npr. zatvorene staklenke - mogu eksplodirati i ne smiju se zagrijavati u ovoj pećnici. Povremeno, jaja mogu eksplodirati i za vrijeme dok se peku. Zato uvijek probušite žumanjak, zatim pokrijte i pustite da odstoji jednu minutu prije skidanja pokrova.

NAPOMENA:

- Ne okrećite rukom okretni tanjur. To može dovesti do kvara.
- Iskrenje u pećnici za vrijeme korištenja mikrovalova najčešće je posljedica korištenja metalnog pribora. Kontinuirano iskrenje, može oštetiti uređaj. Zaustavite program i provjerite pribor.
- Pazite da ne začepite bilo koji od otvora za provjetranje smještenih na gornjoj, stražnjoj, bočnoj i donjoj stranici pećnice.

Ne koristite ovu pećnicu u komercijalne svrhe. Ova pećnica načinjena je samo za korištenje u domaćinstvima.

Čuvajte ove upute.

Vodič kroz pribor i opremu pećnice

Razni pribor i materijali mogu se koristiti za kuhanje u vašoj mikrovalnoj pećnici. Za vašu sigurnost, kako bi spriječili oštećenja pribora i vaše pećnice, odaberite odgovarajući pribor i materijale za svaku vrstu kuhanja.

Tabela ispod teksta je općeniti vodič.

Materijal	Pribor	Kuhanje u mikrovalnoj pećnici
Keramika i staklo	Jednostavno posuđe	DA
	Vatrostalno stakleno posuđe	DA
	Stakleno posuđe s metalnim ukrasima	NE
	Olovo-kristal staklo	NE
Porculan	Bez metalnih ukrasa	DA
Lončarski proizvodi		DA
Plastika	Posuđe za mikrovalnu pećnicu otporno na toplinu	DA
	Plastični omot	DA
Metal	Posuđe za pečenje	NE
	Aluminijska folija*	DA
Papir	Čaše, tanjuri, ručnici	DA
Drvo		NE
Oprema	Okretni tanjur	DA
	Podupirač okretnog tanjura	DA

DA: Pribor i oprema za uporabu

NE: Pribor i oprema koju treba izbjegavati

*NAPOMENA: Aluminijsku foliju koristite samo kao zaštitu, pretjerano korištenje može uzrokovati iskrenje.

Tehnički podaci

Ukupne dimenzije	Težina 14 kg
Širina 459 mm	Volumen 17 litara
Dubina 368 mm	
Visina 296 mm	Priključak 230V, 50 Hz
Dimenzije unutrašnjosti	Osigurač 10 A
Širina 282 mm	Potrošnja energije 1200W
Dubina 282 mm	
Visina 206 mm	Snaga 700W

Priprema za uključivanje mikrovalne pećnice

Uklanjanje ambalaže

Kada otpakirate pećnicu, provjerite da li je proizvod bez oštećenja. Eventualna oštećenja, ili ako nedostaje neki dio, odmah morate javiti isporučitelju. Pećnica, dijelovi pećnice ili oprema mogu biti omotani zaštitnom folijom. Ako je to tako, morate ukloniti foliju prije korištenja pećnice. Ne ostavljajte uklonjeni materijal za pakiranje na dohvatu maloj djeci. To može biti vrlo opasna igra.

Postavljanje

1. Uklonite sve reklamne naljepnice s vrata.
2. Postavite pećnicu na ravnu, uravnoteženu podlogu. Površina mora biti dovoljno jaka da izdrži težinu (14 kg) pećnice i sadržaja. Kako bi izbjegli mogućnost stvaranja vibracija ili buke, pećnica mora biti u stabilnom položaju.
3. Držite pećnicu podalje od izvora topline i vode. Izlaganje toplini i vodi može smanjiti efikasnost pećnice i dovesti do kvarova, tako da obavezno provjerite da je pećnica postavljena dalje od izvora topline i vode.
4. Ne pokrivate otvore za provjetravanje na gornjoj i bočnim stranicama kućišta, te isto tako ne stavljajte nikakve predmete na gornju stranicu pećnice. Ako su otvori za provjetravanje pokriveni za vrijeme rada, pećnica se može pregrijati što može dovesti do kvara. Vrući zrak izlazi kroz otvore, zato budite sigurni da nisu začepljeni ili da nije pała zavjesa između pećnice i stražnjeg zida.
5. Postavite pećnicu što je dalje moguće od radio i TV prijemnika. Ova pećnica odgovara EEC zahtjevima* u vezi potiskivanja radio-smetnji, ali neke smetnje se ipak mogu pojaviti ako je smještena preblizu radio ili TV prijemniku, tako da je držite što je dalje moguće.
6. Ako je smještena u kutu, ostavite razmak od najmanje 10 cm od zidova, kako bi se osiguralo pravilno provjetravanje.

Važno! Pećnica može biti smještena gotovo na bilo kojem mjestu u kuhinji. Provjerite da li je pećnica smještena na glatku, vodoravnu površinu i da otvori za provjetravanje kao i površina ispod pećnice nisu blokirani (za efikasno provjetravanje).

* Ovaj uređaj odgovara zahtjevima danim u EEC odredbi o radio-smetnjama 87/308/EEC.

Priključak na mrežno napajanje

Pećnica se isporučuje s mrežnim kabelom i utikačem za 230 V, 50 Hz sa zaštitnim uzemljenjem. Uzemljenje umanjuje rizik kod pojave kratkog spoja. Provjerite odgovara li napon pećnice naponu napajanja.

Ako je pećnica priključena na mrežni napon putem produžnog kabela, on isto tako mora biti uzemljen.

Upozorenje! Ovaj uređaj ne smije biti spojen na izvor napajanja bez uzemljenja.

Kontaktirajte ovlaštenog električara ako imate nedoumica, vezano uz električki priključak pećnice ili osiguranja zaštitnog uzemljenja.

Ovaj uređaj mora biti uzemljen. Ako je ovaj uređaj opskrbljen mrežnim utikačem koji ne odgovara vašoj utičnici, utikač treba odrezati i postaviti odgovarajući. Ako je nužna izmjena osigurača u utikaču, poklopac osigurača mora se vratiti na mjesto. Ako je poklopac izgubljen ili oštećen, utikač se ne smije koristiti dok se ne izvrši zamjena.

Električki priključak

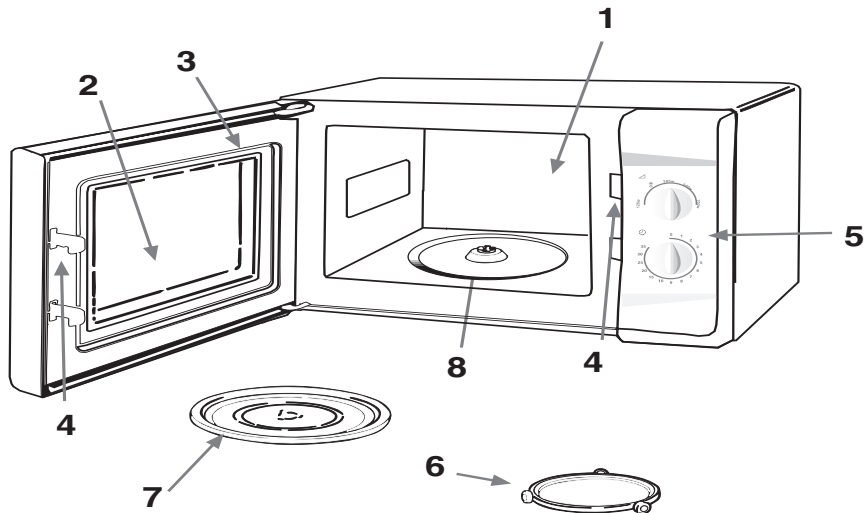
UPOZORENJE! OVAJ UREĐAJ MORA BITI UZEMLJEN.

Proizvođač odbija svaku odgovornost ako se ne pridržavate ovih sigurnosnih mjera.

- Ako utikač na vašem uređaju ne odgovara utičnici treba ga odrezati i zamijeniti odgovarajućim utikačem.

Uklonite osigurač iz odstranjenog utikača. Utikač tada treba odložiti na sigurno kako bi spriječili mogući strujni udar ukoliko bi utikač uključili u utičnicu od 13 Amp u nekom drugom djelu u kućanstva.

Kako se koristi vaša mikrovalna pećnica



Naziv i funkcija dijelova

1. Odjeljak za kuhanje. Obrišite odjeljak nakon uporabe.
2. Prozor. Hranu možete kontrolirati za vrijeme rada mikrovalne pećnice.
3. Vrata pećnice. Za vrijeme pripreme hrane vrata moraju uvijek biti dobro zatvorena.
4. Kuke zasuna i sigurnosni sistem završavanja.
5. Upravljačka ploča.
6. Podupirač okretnog tanjura. Postavite podupirač na dno odjeljka za kuhanje kako bi poduprl okretni tanjur.
7. Okretni tanjur. Napravljen je od posebnog vatrostalnog stakla. Hranu za kuhanje postavite na njega u prikladnom spremniku. Ne koristite pećnicu bez okretnog tanjura.
8. Pogonska osovina okretnog tanjura.

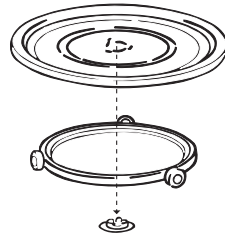
Postavljanje okretnog tanjura

1. Postavite podupirač okretnog tanjura na dno unutrašnjosti pećnice.
2. Postavite okretni tanjur na vrh podupirača okretnog tanjura kao što je prikazano na slici. Provjerite da li je središte okretnog tanjura sigurno uglavljeno u pogonsku osovinu okretnog tanjura. **Nikada ne postavljajte okretni tanjur naopako.**
 - Za vrijeme kuhanja obavezno morate koristiti i okretni tanjur i podupirač okretnog tanjura.
 - Sva hrana i spremnici hrane moraju se uvijek postaviti na ovaj tanjur za vrijeme kuhanja.
 - Ovaj tanjur se vrti u smjeru kazaljki na satu i u smjeru suprotnom od kazaljki na satu; to je normalno.

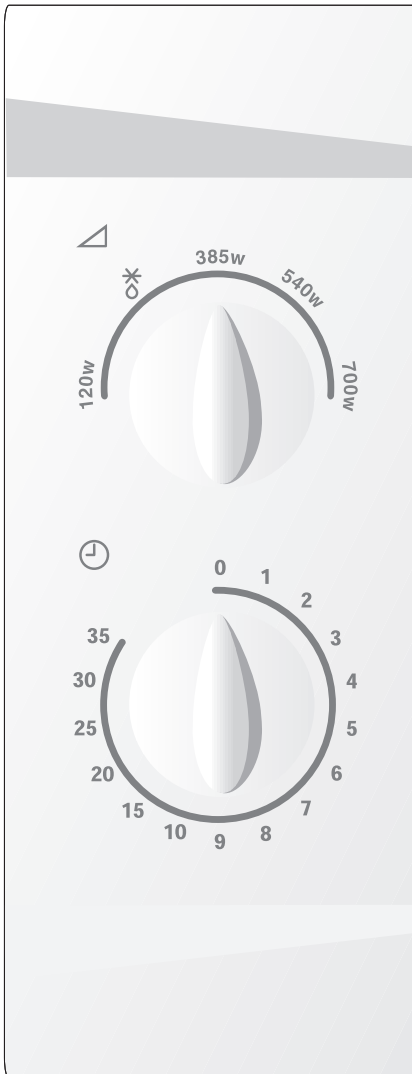
Okretni tanjur

Podupirač s vajčićima

Pogonska osovina
okretnog tanjura



Upravljačka ploča



- 1. Kontrola za odabir snage**
Namjestite kontrolu tako da odredite ispravnu snagu za vašu hranu.

- 2. Vremenski sklop**
Namjestite željeno vrijeme kuhanja. Kuhanje će započeti. **Svi satni vremenski sklopovi radit će točnije ako pri namještanju malo prekoračite željeno vrijeme i potom ih vratite.**

Kuhanje s mikrovalovima

1. Otvorite vrata, smjestite hranu na okretni tanjur. Zatvorite vrata.
2. Namjestite kontrolu za odabir snage do željene razine snage (vidi tablicu).
3. Namjestite vremenski sklop do željenog vremena.

Pećnica započne s kuhanjem.


Kad kuhate manje od 2 minute, okrenite kontrolu vremenskog sklopa na dulje trajanje i potom je vratite na željeno vrijeme. Ako želite isključiti pećnicu tijekom kuhanja, jednostavno okrenite kontrolu vremenskog sklopa na 0.

Napomena: Nakon uporabe, provjerite da je kontrola vremenskog sklopa vraćena na 0, u suprotnom će pećnica nastaviti s radom.

Primjer: Kuhanje na 385 W u trajanju 15 minuta


1. Okrenite kontrolu za odabir snage na 385 W.
 2. Okrenite vremenski sklop na 15.
 3. Pećnica će automatski započeti kuhati 15 minuta na 385 W.
-

Vodič za podešavanje snage mikrovalova

Podešena snaga	Preporuka za korištenje
120W	Održavanje topline; Održava hranu toplom
 (230W)	Odleđivanje; Otapanje zamrznute hrane.
385W	Srednje: Brže odleđivanje i podgrijavanje složenaca i paprikaša.
540W	Podgrijavanje: Podgrijavanje već spravljenih hrane. Pečenje većih komada mesa i peradi.
700W	Ključanje ili podgrijavanje tekućina. Kuhanje povrća.

Upute za odmrzavanje korištenjem snage (230W)

Neka hrana kao što su kruh i voće može se uspješno ručno odmrznuti koristeći ovu snagu.

HRANA	PRIPREMA		VRIJEME STAJANJA
Kruh			
Mali kruh	Postavite ga na rešetku otpornu na mikrovalove ili na kuhinjski papir. Okrenite na polovici vremena odmrzavanja.	8–10 min.	10–15 min.
Narezan veliki kruh	Postavite ga na rešetku otpornu na mikrovalove ili na kuhinjski papir. Okrenite na polovici vremena odmrzavanja.	10–13 min.	10 min.
2 kriške	Postavite na kuhinjski papir.	45–60 sek.	5 min.
1 kruh	Postavite na kuhinjski papir.	45–60 sek.	5 min.
2 kruha	Postavite na kuhinjski papir.	1–1 1/2 min.	5 min.
Keksi i kolači			
Gateau 450g	Izvadite iz omota, stavite na tanjur.	9–11 min.	15–30 min.
Kolač od sira 450g	Izvadite iz omota, stavite na tanjur.	9–11 min.	15–30 min.
Pita (spravljena) 450g	Izvadite iz omota, stavite na tanjur.	7–9 min.	15–30 min.
Kolači 450g	Izvadite iz omota, stavite na tanjur.	7–9 min.	15–30 min.
Maslac			
250g (1 pakiranje)	Ako je omotan folijom, uklonite ju i postavite ga na tanjur.	3–4 min.	5–10 min.
Voće			
225g Voće s mekim bobicama	Postaviti u jednom sloju u plitku posudu.	5–6 min.	5–10 min.
450g Voće s mekim bobicama	Postaviti u jednom sloju u plitku posudu.	7–8 min.	5–10 min.
Obrok			
400g	Pokrivi tanjuru ili prijanjaućom folijom bez PVC-a. Za podgrijavanje, mikrovalovi na 100% (800 W) u trajanju 3-4 minute.	7–8 min	5–10 min.
Povrće			
	Odmrzavanje povrća prije kuhanja nije nužno. Svo povrće može se odmrzavati i kuhati na 100% (800 W).		

Natuknice o mikrovalnoj pećnici

- Pećnicu uvijek držite čistom – izbjegavajte proljevanje namirnica i ne zaboravite počistiti ispod staklene plitice i unutrašnju stranu vrata.
- Po mogućnosti koristite okruglo ili ovalno posuđe s poklopcem kada kuhate u svojoj mikrovalnoj pećnici.
- Ne koristite metalno posuđe ili posuđe s metalnim dekoracijama. Određeni plastični materijali se mogu rastopiti i iskriviti od vruće hrane.
- Pokrijte hranu kada kuhate. Koristite staklene poklopcce, tanjure ili papir otporan na masoću.
- Kolači, kruh i slično mogu se odmrzavati direktno u košari za kruh ili na papirnatom ručniku.
- Ako se smrznuta hrana zagrijava u svom omotu, potrebno ga je otvoriti. Omote koji sadrže metal ili metalne dekoracije ne smijete koristiti osim ako nisu preporučeni za uporabu u mikrovalnoj pećnici. Uklonite metalne kopče i žičane vezice.
- Sitne komadiće aluminijske folije možete koristiti za pokrivanje dijelova koji se lako prekuhaju kao što su pileći bataci.
- Hranu sa ljuskama ili kožom trebate probušiti vilicom - npr. krumpiri i kobasice. Ne kuhajte jaja u mikrovalnoj pećnici jer mogu eksplodirati.
- Velike, debele komade postavite blizu ruba posude i pokušajte narezati hranu na nekoliko jednakih komada. Hranu uvijek postavite u sredinu pećnice.
- Hrana će biti ujednačeno kuhana ako je promiješate ili okrenete nekoliko puta.
- Uvijek podesite kraće vrijeme kuhanja nego što je dano u vašem receptu kako bi izbjegli da se hrana prekuha. Veća količina hrane zahtijeva duže vrijeme.
- Koristite malo ili ništa vode za povrće.
- Koristite manje soli i začina nego za "normalno" kuhanje.
- Začine dodajte na kraju.
- Dopustite nekoliko minuta "stajanja" nakon što se pećnica isključila, kako bi osigurali potpune i ujednačene rezultate kuhanja.
- Uvijek servirajte vruću hranu.
- Koristite držače posuda ili rukavice kada vadite posuđe i hranu iz pećnice.

Savjeti o mikrovalnoj pećnici

- **Omekšavanje meda**
Ako imate teglu kristaliziranog meda, otklopite ju i stavite u pećnicu, uključite mikrovalove srednje snage na 2 minute.
- **Otapanje čokolade**
Izlomite 100 g čokolade na četvrtaste komade, stavite ih u posudu i zagrijavajte na velikoj snazi 1-2 minute. Dobro miješajte.
- **Omekšavanje ili otapanje maslaca**
Na velikoj snazi za otapanje je potrebno nekoliko sekundi. Maslac ćete najbolje omekšati nježnije, na niskoj snazi.
- **Osvježavanje ili zagrijavanje kruha**
Nekoliko sekundi koristite srednju snagu.
- **Lagano guljenje češnjaka**
Zagrijte 3 do 4 čena češnjaka na jakoj snazi 15 sekundi. Stisnite s jedne strane, dok čenovi ne ispadnu.
- **Voćni sok**
Agrumi će dati više soka ako ih prije cjeđenja 15 sekundi zagrijete na jakoj snazi.
- **Kuhanje kaše**
Kašu ćete lako skuhati u tanjurima/posuđu za posluživanje, bez ljepljivih posuda za pranje. Držite se uputa proizvođača hrane.

Održavanje i čišćenje

Pećnica uvijek mora biti čista. Ostaci prolivene hrane ili prskanja će privlačiti energiju mikrovalova što će dovesti do zagaranja. To može smanjiti efikasnost pećnice i stvoriti loš miris. Ne dirajte i ne pokušavajte izmijeniti ili popraviti bilo koji dio pećnice. Popravak mora obaviti stručna i ovlaštena osoba.

Provjerite da li je pećnica isključena i mrežni utikač izvučen iz utičnice prije čišćenja.

Čišćenje opreme (okretni tanjur i podupirač)

Očistite ih blagim sredstvom za čišćenje nakon vađenja iz unutrašnjosti pećnice. Pažljivo rukujte s podupiračem.

PAŽNJA: Unutrašnjost pećnice i okretni tanjur postaju vrlo vrući, pa ih nemojte dodirivati odmah po uporabi.

Čišćenje unutrašnjosti

Uvijek držite unutrašnjost pećnice čistom. Odmah počistite pećnicu ako dođe do proljevanja ili prskanja hrane. Ostaci na stjenkama pećnice, brtvi vrata i površini vrata apsorbirat će energiju mikrovalova, smanjiti efikasnost pećnice i mogu dovesti do oštećenja unutrašnjosti pećnice. Za uklanjanje ostataka koristite blaga, tekuća sredstva za čišćenje, toplu vodu i meku čistu krpu.

NIKADA NE KORISTITE ABRAZIVNA SREDSTVA ZA ČIŠĆENJE, SREDSTVA ZA ČIŠĆENJE KLASIČNIH PEĆNICA ILI JASTUČIĆE OD ČELIČNE VUNE ZA ČIŠĆENJE BILO KOJEG DIJELA MIKROVALNE PEĆNICE.

Za omekšavanje težih mrlja, zagrijte čašu vode u mikrovalnoj pećnici u trajanju 2-3 minute.

NIKADA NE KORISTITE NOŽ ILI KAKAV DRUGI ALAT ZA UKLANJANJE MRLJA S POVRŠINE PEĆNICE.

Za uklanjanje mirisa iz unutrašnjosti pećnice, zagrijte čašu vode sa dvije žlice limunovog soka u trajanju od 5 minuta.

Čišćenje vanjskog dijela pećnice

Otvorite vrata pećnice kada čistite upravljačku ploču. Na taj način ne može doći do slučajnog neželjenog uključivanja pećnice. Vanjsku površinu pećnice čistite blagim tekućim sredstvom za čišćenje i vodom, nakon čega obrišite čistom vodom ostatke deterdženta. Osušite mekom krpom.

Sredstva za čišćenje prozora u spreju ili višenamjenska kuhinjska sredstva za čišćenje u spreju mogu se isto tako koristiti. Nikada ne koristite abrazivna sredstva za čišćenje, žičane jastučiće za ribanje ili jake kemikalije na vanjskim površinama vaše pećnice. Kako bi se izbjegla oštećenja radnih dijelova, ne dopustite ulijevanje vode u ventilacione otvore.

Servis i nadomjesni dijelovi

Ako mikrovalna pećnica ne radi, molimo da provjerite sljedeće prije nego pozovete ovlaštenu servis.

Ako mikrovalna pećnica ne započinje s radom:

- Provjerite da je aparat pravilno spojen.
- Provjerite da je utikač pravilno uključen u utičnicu.
- Ako je potrebno, zamijenite osigurač u kabelu, sa novim istovjetnim po snazi.
- Provjerite da u utičnici ima napona tako da uključite neki drugi uređaj.
- Provjerite ispravnost osigurača u domaćinstvu.

Ako mikrovalovi ne rade:

- Možda je namještena sigurnosna zaštita (dostupna na nekim modelima).
- Provjerite da su kontrole pravilno podešene.
- Provjerite podešenje/postupak korišćenja uputu za uporabu.
- Provjerite da su vrata pravilno zatvorena. (Ako su dijelovi hrane ili nešto drugo ostali zaglavljani u otvoru vrata, vrata se neće pravilno zatvoriti i mikrovalna pećnica neće raditi).

Ako nakon ovih provjera mikrovalna pećnica i dalje ne radi pravilno, stupite u kontakt sa najbližim ovlaštenim servisnim centrom.

VAŽNO: Ako pozovete serviseru radi jedne od ovdje navedenih smetnji ili zbog pogrešnog rukovanja ili postavljanja mikrovalne pećnice, dolazak neće biti besplatan čak i unutar jamstvenog roka.

Servisne usluge i nadomjesne dijelove nude ovlašteni Zanussi servisi.

Kada naručujete servisnu uslugu ili dijelove, molimo vas da pripremite točan naziv i model mikrovalne pećnice. Te podatke ćete naći na natpisnoj pločici.

Zapišite ih tako da su vam uvijek pri ruci kada ih trebate.


Model: ZM17ML

Serijski broj:

Datum kupnje:

Napomena: Pospremite vaše upute i jamčevni list.

Съдържание

Преди да започнете работа с уреда	4
Инструкции за безопасност	4
Безопасност при използването на съдове за готвене	5
Тестване на съдовете за готвене	5
Безопасност при обработка на храните	5
Упътване за използване на съдовете за фурната и принадлежностите	6
Технически данни	7
Започване	7
Разопаковане	7
Свързване към електрическата мрежа	8
Електрическо свързване	8
Работа с микровълновата фурна	9
Наименование и функция на различните части	9
Монтиране на въртящата се чиния	9
Контролен панел	10
Микровълново готвене	11
Упътване за настройка на мощността	11
Инструкции за размразяване при 	12
Съвети за Микровълново готвене	13
Грижи и почистване	14
Почистване на аксесоарите (въртящата се чиния)	14
Почистване на вътрешността	14
Почистване на външните части	14
Сервиз и резервни части	15
Условия на гаранцията	16

Поздравления за закупуването на Вашата нова микровълнова фурна.

Благодарим Ви, че избрахте този продукт на Zanussi. Убедени сме, че новата ви микровълнова фурна ще ви бъде много полезна и ще ви помогне изключително в домакинската работа. Както става с всички нови кухненски

уреди, ще е необходимо известно време, за да се запознаете с всички нови функции и особености, но с течение на времето тази фурна ще стане незаменима за Вас.

Преди да започнете работа с уреда

Преди използване на микровълновата фурна прочетете внимателно и подробно ръководството. Инструкциите, които следват, ще Ви позволят да получите най-добрите резултати от новата микровълнова фурна на Zanussi. Важно е това ръководство да бъде запазено заедно с уреда за по-нататъшни справки. В

случай, че продадете или дадете уреда за ползване от друго лице или ако смените жилището си и оставите уреда, уверете се, че ръководството остава заедно с уреда за да може новият собственик да се запознае с функциите на фурната и съответните предупреждения.

Инструкции за безопасност

- Вградената система за заключване на вратата предпазва микровълновата фурна от работа при отворена врата.
- Не променяйте нищо в нея и не се опитвайте да използвате фурната при отворена врата, тъй като работата при отворена врата може да Ви изложи на микровълново облъчване.
- Не позволявайте остатъци от храна или от почистващ препарат да се събират върху уплътнителните повърхности на вратата. Вижте раздела Почистване и Поддръжка за по-подробни инструкции.
- Ако фурната е повредена не я използвайте, докато не бъде поправена от квалифициран сервизен техник.
- Особено важно е вратата на фурната да бъде затворена правилно и да няма повреда на: (1) вратата (деформирана), (2.) пантите и затварящия механизъм (счупени или с недостатъчна сигурност), (3) уплътнителните ленти на вратата и повърхността срещу тях.
- Рисковано е за всеки с изключение на квалифициран сервизен техник да извършва ремонти или корекции по тази фурна. Поправки от неквалифицирана личност могат да доведат до наранявания или сериозни повреди по фурната. Осъществете контакт с най-близкия оторизиран сервиз при необходимост от ремонт.
- Не отстранявайте корпуса на уреда, вратата или контролния панел, тъй като това може да доведе до излагането Ви на изключително високо напрежение.
- Инсталирайте и разполагайте тази фурна само в съответствие с **“ИНСТРУКЦИИ ЗА МОНТАЖ”**, дадени в това Ръководство.
- Използвайте уреда по предназначението му, описано в това Ръководство. Не използвайте корозивни химикали в уреда. Специфичното приложение на този тип фурни е за притопляне, готвене и размразяване на храна. Те не са конструирани за индустриална или лабораторна работа, нито за употреба в търговската мрежа, тъй като това ще направи невалидна гаранцията.
- Не използвайте фурната, когато е празна. Ако няма храна или вода, която да поглъща микровълновата енергия, магнетронната лампа може да се повреди.
- Необходим е строг надзор когато фурната се използва от деца.
- Не съхранявайте уреда на открито. Не използвайте уреда в близост до вода.
- Не се опитвайте да сушите дрехи или вестници във фурната, тъй като те могат да се запалят.
- Не използвайте вътрешността на фурната като място за съхранение. Не оставяйте продукти от хартия, съдове за готвене или храна в нея, когато не я използвате.

Безопасност при използването на съдове за готвене.

Повечето стъклени, стъкло-керамични и топлоустойчиви стъклени съдове са отлични за използване в микровълновата фурна. Въпреки, че микровълновата енергия няма да затопли

повечето стъклени и керамични съдове, те могат да се нагорещят при предаването на топлина от храната. Препоръчително е използването на ръкохватки за изваждане на ястията.

Тестване на съдовете

- Поставете съда за готвене във фурната заедно със стъклена чаша, напълнена до средата с вода. Нагрейте при 700 W (100%) за една минута. Ако съдът е топъл, не трябва да го използвате. Ако е само леко загорял, можете да го използвате за затопляне на храна, но не и за готвене. Ако съдът е със стайна температура, той е подходящ за готвене в микровълновата фурна.
- Хартieni кърпички, восъчна хартия, чинии, купи, картонени кутии, опаковъчни материали за фризер и мукава са много удобни съдове. Винаги се уверявайте, че са пълни с храна, която да поглъща енергията и така да избегнете опасността от прегряване.
- Много пластмасови чинии, купички, кутии за съхранение на храна във фризер и найлонови опаковки могат да се използват в микровълновата фурна. Следвайте инструкциите на производителя при използване на пластмасови изделия във фурната. Избягвайте употребата на пластмасови съдове с храни, които са с високо съдържание на мазнини и захар, тъй като тези храни достигат до високи температури и могат да разтопят някои пластмаси.
- Не оставяйте фурната без наблюдение и я поглеждайте от време на време когато затопляте или готвите храна в пластмасови, хартieni или други лесно възпламеними съдове. Ако забележите дим оставете вратата затворена, изключете фурната или я изключете от контакта докато димът изчезне.
- Метални съдове или съдове с метална украса не трябва да се използват в микровълновата фурна освен ако не са специално създадени за използване в микровълновата фурна.
- Съдове с ограничени отвори, например бутилки не трябва да се използват при готвене в микровълновата фурна.

- Бъдете внимателни при махане на капак или покритие от съдове, за да избегнете изгаряния от парата.

Безопасност при обработка на храните

- Не затопляйте храна в консервни опаковки в микровълновата фурна. Винаги премествайте храната в подходящ съд.
- Много силно пържено на храни не трябва да се извършва в микровълновата фурна, тъй като температурата на мазнината не може да бъде контролирана и това може да доведе до рисковани ситуации.
- Пуканки могат да бъдат приготвени във фурната, но само в специални опаковки или съдове, създадени за този цел. Процесът на приготвяне никога не трябва да остава без наблюдение.
- Надутчвайте храни с кора или с мембрани без пори, за да избегнете издуването им от парата и експлодирането им. Ябълки, картофи, пилешки дробчета и жълтъци на яйца са примери за такива продукти.

Предупреждение: При загряване на течности, например супи, сосове и напитки в микровълновата фурна прегряването на течността над температурата на кипене може да стане и без появяването на мехурчета. Това може да доведе до внезапно изкипяване на горещата течност. За да избегнете това спазвайте следните инструкции:

1. Избягвайте използването на съдове с прави стени и тясна горна част.
2. Не прегрявайте продуктите.
3. Разбърквайте течността преди да я поставите в съда във фурната и по средата на времето за затопляне.
4. След затопляне оставете съда във фурната за кратко време и разбъркайте отново преди внимателно да го извадите.

- Някои продукти като цели яйца и запечатани съдове - например затворени стъклени буркани - могат да експлодират и не трябва да бъдат затопляни в тази фурна. Много рядко яйца на очи могат да експлодират по време на готвене. Винаги пробивайте жълтъка, след това покривайте и изчакайте една минута преди да махнете покритието.
- Волтова дъга във фурната при микровълновата опция обикновено възниква при използване на метални съдове. Продължителното образуване обаче може да повреди уреда. Спрете програмата и проверете съда.
- Не препречвайте отворите за излизане на въздуха, разположени отгоре, отзад, отстрани и отдолу на фурната.

Забележка:

- Не се опитвайте да въртите с ръка въртящата се стъклена чиния. Това може да я повреди.

Не използвайте фурната за комерсиални цели.

Тази фурна е създадена единствено за работа в домашни условия.

Запазете тези инструкции

Упътване за използване на съдовете подходящи за фурната и принадлежностите

За готвене с микровълнова фурна могат да бъдат използвани разнообразни съдове и материали. От гледна точка на Вашата

безопасност и за да не повредите съдовете и фурната, изберете подходящите съдове и материали за всеки метод на готвене.

В приложената таблица са дадени някои общи указания.

Материал	Съдове	Микровълново готвене
Керамика и стъкло	Съдове за пуканки	Да
	Топлоустойчиви стъклени съдове	Да
	Съглени съдове с метална декорация	Не
	Кристално стъкло с олово	Не
Китайски порцелан	Без метална декорация	Да
Глинени съдове		Да
Пластмаса	Топлоустойчиви съдове за микровълнова фурна	Да
	Найлонови торбички	Да
Метал	Тавичка за печене	Не
	Алуминиево фолио *	Да
Хартия	Купички, чинийки, кърпички	Да
Восъчна хартия		Да
Дърво		Не
Принадлежности	Въртяща се стъклена чиния	ДА
	Държач	ДА

Да : Съдове и принадлежности, които могат да се използват

Не : Съдове и принадлежности, които трябва да се избягват

* **Забележка:** Използвайте алуминиево фолио само за покриване на храна, прекомерната му употреба не е желателна.

Технически данни

Външни размери	Тегло 14 кг
Ширина 459 мм	Обем 17 литра
Дълбочина 368 мм	
Височина 296 мм	Захранващо напрежение 230 V, 50 Hz
Размери на вътрешността	Предпазител 10 А
Ширина 282 мм	Консумирана мощност 1200 W
Дълбочина 282 мм	
Височина 206 мм	Изходна мощност 700 W

Разопаковане

Важно: При разопаковане на фурната проверете дали уредът е здрав. При повреда или липсващи части уведомете незабавно доставчика.

Фурната, нейни части или принадлежности може да са увити в защитно фолио. В този случай

трябва да отстраните това фолио преди да използвате фурната. Не оставяйте опаковъчен материал на места, където малки деца могат да си играят с него. Това може да бъде опасно за тях.

Инсталиране

- Отстранете всички рекламни етикети от вратата.
- Инсталирайте фурната на хоризонтална повърхност. Повърхността трябва да бъде достатъчно здрава, за да издържи теглото на фурната (14 кг.) и поставената храна в нея. Фурната трябва да бъде стабилно разположена, за да се избегне възникването на вибрации или шум.
- Поставете фурната далеч от топлина и вода. Излагането на топлина и вода може да понижи ефикасността на фурната и да доведе до повреда. Уверете се, че сте инсталирали фурната далеч от топлинни и водни източници.
- Не блокирайте въздушните отвори отворе и отстрани на корпуса и не поставяйте никакви предмети върху фурната. Ако въздушните отвори са блокирани по време на работа фурната може да прегрее и това да причини повреда. От отворите излиза горещ въздух, така че се уверете, че нищо не възпрепятства излизането му. Не позволявайте завесите да стоят между фурната и задната стена.
- Поставете фурната максимално далеч от радио и телевизионни приемници. Тази фурна отговаря на изискванията на ЕЕС за подтискане на радиосмущенията*. Въпреки това могат да възникнат проблеми ако фурната се разположи прекалено близо до радио или телевизионен приемник, така че поставяйте такива уреди възможно най-далеч.
- Ако е поставена в ъгъла, оставете разстояние от най-малко 10 см до стените, за да спазите вентилационните изисквания.

Важно! Фурната може да бъде поставена почти навсякъде в кухнята. Уверете се че е разположена на хоризонтална равна повърхност и че вентилационните отвори, както и повърхността под фурната не са блокирани (за достатъчно проветряване).

* Тази фурна отговаря на Норматив 87/308/ЕЕС на ЕЕС за подтискане на радиосмущенията.

Свързване към електрическата мрежа

Фурната се доставя с електрически кабел и щепсел за 230V, 50Hz.

Защитата чрез заземяване намалява риска в случай на късо съединение. Уверете се, че напрежението, с което работи фурната е еднакво с това в мрежата.

Важно: Ако фурната е свързана към контакта с помощта на удължителен кабел, уверете се, че кабелът е заземен.

Предупреждение! Този уред не трябва да бъде използван с незаземено електрозахранване. Свържете се с електротехник ако не сте сигурни относно свързването към електрическата мрежа на фурната или с осигуряването на заземяване на електрозахранването.

Този уред трябва да бъде заземен. Ако уредът е комплектован с щепсел, който е неподходящ за контакта, щепселът трябва да бъде срязан и да се постави подходящ такъв. Ако е необходимо да се смени предпазителя на щепсела, капакът на предпазителя трябва да бъде поставен отново. Ако капакът е изгубен или повреден, щепселът не трябва да бъде използван докато не се замени.

Електрическо захранване

Този уред е комплектуван със стандартен евро щепсел.

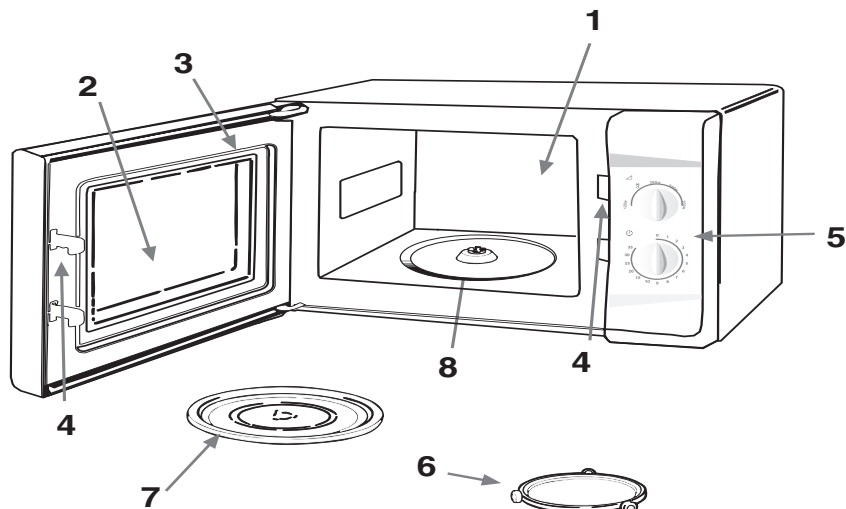
Предупреждение ! Уредът трябва да е заземен.

Производителят не носи никаква отговорност за щети причинени от неспазване на тази мярка за безопасност.

- Ако уредът е комплектуван с щепсел, който е неподходящ за контакта, щепселът трябва да бъде срязан и да се постави подходящ такъв.

Премахнете защитата от махнатия щепсел. Отстранения щепсел трябва да се изхвърли за да се избегне опасността от повторната му употреба в друга част на Вашият дом.

Работа с микровълновата фурна



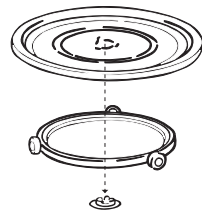
Наименование и функция на различните части

1. Отделение за готвене. Избърсвайте и почиствайте отделението след използване на фурната.
2. Стъкло на фурната. Храната може да бъде наблюдавана докато микровълновата фурна работи.
3. Врата на фурната. Вратата винаги трябва да бъде добре затворена по време на готвене.
4. Затварящ механизъм и система за безопасност на заключването.
5. Контролен панел.
6. Въртяща се стъклена чиния. Изработена от специално топлоустойчиво стъкло. храната в подходящ съд се поставя върху тази поставка. Не използвайте фурната без стъклената чиния.
7. Държач на въртящата се стъклена чиния. Поставете държача на дъното на отделението за готвене, за да придържа въртящата се стъклена чиния.
8. Задвижваща ос на стъклената чиния.

Монтиране на въртящата се стъклена чиния

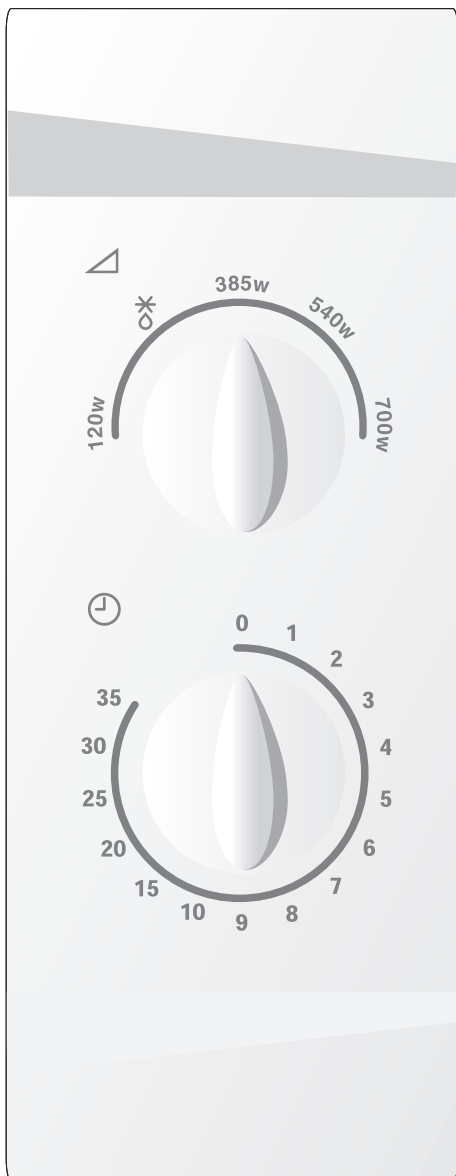
1. Поставете държача на дъното на отделението.
2. Поставете стъклената чиния върху държача както е показано на схемата. Уверете се, че главината на стъклената чиния е добре наместена върху оста. **Никога не поставяйте стъклената чиния от обратната страна.**
 - Както въртящата се стъклена чиния, така и държачът винаги трябва да бъдат използвани при готвене.
 - Всичката храна и съдове с храна винаги се поставят върху стъклената чиния при готвене. Чинията се върти и в двете посоки; това е нормално.

Въртяща се стъклена чиния



Ролеров държач

Задвижваща ос на стъклената чиния

Контролен панел**1. Бутон за регулиране на мощността.**

Нагласете ключа за да изберете точната настройка на мощността за съответното готвене.

2. Копче за регулиране на времето

За да зададете нужното време. Готвенето ще започне. Всички настройки по таймера ще работят по добре ако подминете желаното време на готвене и след това се върнете до него.

Микровълново готвене

1. Отворете вратата , сложет храната върху ъртящата се чиния. Затворете вратата.
2. Нагласете ключа за избор на мощност до желаното ниво. (Виж таблицата по долу).
3. Нагласете Таймера на желаното време.

Фурната започва да готви.
Когато готвите за по-малко от 2 минути, завъртете ключа за по-дълъг период и след това го върнете на желаното време.


За да изключите фурната по време на готвене върнете Таймера на 0.

Забележка: След приключване на работа с фурната се убедете , че сте върнали Таймера на 0 или в противен случай фурната ще продължи да работи.

Пример : За да сготвите при 385 W за 15 минути.


1. Завъртете ключа за мощност на 385 W.
 2. Завъртете Таймера на 15.
 3. Фурната ще започва автоматично да готви за 15 минути на 385 W.
-

Упътване за настройка на микровълновата мощността

Мощност	Предполагаема употреба
120 W	Поддържане на топло;Поддържане на храната топла
 230 W	Размразяване; отпускане на замразени храни
385 W	Средно;Печене на торти и пудинги
540 W	Претопляне;Предварително приготвяне на храни. Печене на парчета месо и птици.
700 W	Максимална мощност;Варене или претопляне на течности. Готвене на зеленчуци. Предварително подгряване за печива.

Инструкции за размразяване при мощност

Някои храни като хляб и плодове могат да се размразят добре ръчно чрез тези позиции на мощността

Храна	Подготовка		Време на престой след размразяването (във фурната)
Хляб			
Малък хляб	Поставете я върху устойчив на микровълни съд или кухненска хартия. Обърнете по средата на времето на размразяване.	8 - 10 МИН.	10 -15 мин.
Нарязан цял хляб	Поставете я върху устойчив на микровълни съд или кухненска хартия. Обърнете по средата на времето на размразяване.	10 –13 МИН.	10 мин.
2 филийки	Поставете върху кухненска хартия.	45 – 60 СЕК.	5 мин.
1 франже ла	Поставете върху кухненска хартия.	45 –60 СЕК.	5 мин.
2 франже ли	Поставете върху кухненска хартия.	1 – 1 ½ МИН.	5 мин.
Сладкиши и тестени изделия			
Кейк 450 гр	Извадете от опаковката, поставете върху чиния.	9 – 11 МИН.	15 - 30 мин.
Солен кекс 450 гр	Извадете от опаковката, поставете върху чиния.	9 – 11 МИН.	15 - 30 мин.
Пай (готвен) 450 гр	Извадете от опаковката, поставете върху чиния.	7 – 9 МИН.	15 - 30 мин.
Сладкиш и 450 гр	Извадете от опаковката, поставете върху чиния	7 – 9 МИН.	15 - 30 мин.
Масло			
250 гр (един пакет)	Ако е увито във фолио, отстранете фолиото и поставете в чиния.	3 – 4 МИН.	5 - 10 мин.
Плодове			
225 гр меки плодове	Поставете ги в единичен слой в плитка чиния.	5 – 6 МИН.	5 - 10 мин.
450 гр меки плодове	Поставете ги в единичен слой в плитка чиния.	7 – 8 МИН.	5 - 10 мин.
Готови ястия			
400 гр	Покрийте с чиния или с неизолиращо фолио. За подгриване пуснете микровълнова мощност на 100 % (700W) за 3 - 4 мин.	7 – 8 МИН.	5 - 10 мин.
Зеленчуци	Не необходимо зеленчуците да се размразяват преди готвене. Всички зеленчуци могат да бъдат размразявани и да бъдат готвене на мощност 100 % (700 W).		

Съвети за микровълново готвене

- Винаги поддържайте фурната чиста - избягвайте разливане на течности и не забравяйте да почиствате под стъкления поднос и вътрешната страна на вратата.
- За предпочитане е да използвате кръгли или овални съдове с капак когато готвите във фурната.
- Не използвайте метални или декорирани с метал съдове. Някои пластмасови материали могат да се разтопят и да се деформират от горещата храна.
- Покривайте храната когато готвите. Използвайте стъклен капак, чиния или устойчива на мазнина хартия.
- Сладкиши, хляб и други подобни могат да бъдат размразени направо в панера за хляб или върху хартиена кърпа.
- Ако размразена храна се затопля в собствената си опаковка, опаковката трябва да се отвори. Опаковки, съдържащи метал или метална декорация не трябва да бъдат използвани, освен ако не са специално препоръчани за използване в микровълновата фурна. Отстранете металните щипки или телени връзки.
- По-малки парчета алуминиево фолио могат да се използват за покриване на места, които лесно прегарят, напр. пилешки крачета.
- Храна с кора или кожа трябва да бъде пробождана с вилица - напр. картофи и наденица. Не варете яйца в микровълновата фурна, тъй като могат да експлодират.
- Поставете големите дебели парчета близо до външната страна на съда и се опитвайте да нарежете храната на равномерни парчета. Винаги поставяйте храната в средата на фурната.
- Храната ще бъде равномерно изпечена ако я разбърквате или я обръщате няколко пъти.
- Винаги задавайте по-кратко време за готвене от указаното във Вашата рецепта, за да избегнете прекалената обработка на храната. Колкото по-голямо е количеството храна, толкова повече време отнема приготвянето ѝ.
- Използвайте малко или въобще не слагайте вода за зеленчуците.
- Използвайте по-малко сол и подправки, отколкото при "нормалното" готвене.
- Слагайте подправките по – късно по време на готвене.
- Оставете храната да престои във фурната няколко минути след като програмата е приключила, за да получите по-добри резултати.
- Винаги се уверявайте, че храната е цялостно затоплена преди да я сервирате.
- Използвайте ръкохватки, когато изваждате ястията и храната от фурната.

Още съвети за готвене с микровълнова фурна

- **Размекване на мед**
Ако имате буркан с мед, който е кристализирал, махнете капачката и поставете буркана във фурната на средна мощност за около 2 минути.
- **Разтопяване на шоколад**
Начупете 100 гр. шоколад на блокчета и ги поставете в купа, загрейте на висока мощност за 1 – 2 минути и разбъркайте добре.
- **Размекване или разтопяване на масло**
Разтопяването отнема няколко секунди при висока мощност. Размекването става нежно при ниска мощност.
- **Освежаване или претопляне на хляб**
Използвайте средна мощност за няколко секунди.
- **По – лесно белене на чесън**
Затоплете 3 – 4 скилидки чесън на висока мощност за 15 секунди. Стиснете от едната страна докато скилидката изкочи навън.
- **Плодов сок**
Цитрусовите плодове пускат повече сок ако плодовете са предварително затоплени при висока мощност за 15 секунди.

- **Овесена каша**
Овесена каша лесно се готви в чинията за сервиране без да се налага да миете лепкави тигани при стандартното и приготвяне. Следвайте инструкциите на производителя на храната.

Грижи и почистване

Фурната винаги трябва да бъде чиста. Остатъци от храна поради разливания или пръски привличат микровълновата енергия, което може да доведе до изгарянето на остатъците. Това може да намали ефикасността на фурната и да доведе до появяването на лоши миризми. Не се опитвайте да си играете или да извършвате регулиране и ремонти на която и да е част от фурната. Ремонтите трябва да бъдат извършвани само от квалифициран сервизен техник.

Уверете се, че фурната е изключена или че щепселът е изваден от контакта преди почистване.

Почистване на принадлежностите (въртяща се стъклена чиния и аксесоари)

Почиствайте ги с мек препарат след изваждането им от отделението. Държачът на диска трябва да бъде обработен внимателно.

Предупреждение: Вътрешността на фурната и въртящата се стъклена чиния стават много горещи, за това не ги докосвайте веднага след използване.

Почистване на вътрешността

Винаги поддържайте вътрешността на фурната чиста. Избърсвайте незабавно разлети течности и пръски. Замърсявания, които остават по стените на фурната, лентата и повърхността на вратата поглъщат микровълнова енергия, намаляват ефикасността на фурната и могат да повредят вътрешните стени. Използвайте мек течен препарат за почистване, топла вода и мек чист парцал за отстраняване на замърсяванията.

Никога не използвайте абразивни почистващи вещества, почистващи вещества за фурни в промишлеността или стоманени телчета за почистване на която и да е част от фурната.

За по-лесно почистване на трудноотстраняеми петна поставете да заври в микровълновата фурна чаша с вода за 2 или 3 минути.

Никога не използвайте нож или други прибори за отстраняване на петна от повърхностите на фурната.

За премахване на миризми от вътрешността на фурната оставете в нея да ври чаша с вода и две лъжички лимонов сок в продължение на 5 минути.

Почистване на външната част

Отворете вратата на фурната, когато почиствате контролния панел. Това ще предотврати случайно включване на фурната. Трябва да почиствате външните повърхности на фурната с мек течен препарат за почистване. След това минете с чиста вода за отстраняване на евентуално останал препарат. Подсушете с мек парцал.

Могат да бъдат използвани почистващи препарати за стъкла или препарати за обща употреба. Никога не използвайте абразивни почистващи вещества, телчета или твърди химикали за почистване на външните повърхности на фурната. За да предотвратите повреждането на работните части не позволявайте попадането на вода във вентилационните отвори.

След – продажбен сервиз и резервни части

Ако уредът не работи добре, направете следните проверки преди да се свържете със След – продажбения сервиз.

Ако фурната не стартира:

- Проверете дали уреда е включен към електрическата мрежа.
- Проверете дали щепсела е правилно поставен.
- Ако е възможно подменете предпазителя в щепсела с друг със същия номинал и проверете дали щепсела е сглобен правилно.
- Проверете дали всички ключове по ел. веригата са във включена позиция.
- Проверете дали стенният контакт работи като включите друг уред в него, за който знаете със сигурност, че работи.
- Проверете бушоните във таблото с бушони.

Ако фурната е захранена с електричество но не оперира:

- Устройството за детска безопасност може да е включено (опция в някои модели).
- Проверете дали фурната е правилно настроена.
- Проверете настройките/процедурите дадени в книгата с инструкции.
- Проверете дали вратата е затворена добре. (Ако чати от храна или други обекти запелнат на пътя на вратата, тя няма да се затвори добре и фурната няма да готви).
- Проверете дали бутона за старт е активиран.

Ако уреда все още не работи след горните проверки, свържете се с местният сервиз на Zanussi .Адресите могат да се намерят на следващите страници на тази книжка.

Важно:

Ако повикате техник за един от по-горните проблеми или за причинена от некоректен монтаж или експлоатация повреда, сметка ще бъде начислена дори ако уреда е все още в гаранция.

Когато търсите помощ от след-продажбеният сервиз, ще бъдете помолени за следната информация:

1. Вашето име, адрес и пощенски код
2. Вашият телефонен номер
3. Ясни и кратки детайли за повредата
4. Номера на модела
5. Серийният номер
6. Дата на закупуване

Ние Ви препоръчам да попълните информацията по-долу, за да се улесните при евентуална нужда.

Номер на модела:.....

Сериен номер:.....

Дата на закупуване:.....

Ако уреда е все още в гаранция, трябва да сте сигурни, че съответните проверки са направени, защото сметка ще бъде начислена ако повредата не е механична или електрическа.

Моля помнете, че вашето доказателство за покупка ще бъде поискано за всякакви работи по уред в гаранция.

Резервни части

Резервни части могат да се поръчат чрез Вашият след-продажбен сервизен център.

Обслужване на клиенти

За всякакви запитвания за Вашият уред Zanussi или за друга информация за Zanussi продукти, свържете се с Центъра за работа с клиенти по пощата или телефона.

Условия на гаранцията

Zanussi предлага следните гаранции при закупуване на уреда:

1. Гаранцията е валидна за 24 месеца от момента на закупуване на уреда от новият му собственик, което се потвърждава от фактура за продажба или друг подобен документ. Гаранцията не важи за случай на уред използван за комерсиални цели.
2. Гаранцията покрива всички части и компоненти, които са се повредили вследствие на погрешен монтаж или некачествени части. Гаранцията не покрива уреди, които са се повредили или не работят добре поради злоупотреба, повреди при инциденти, занемаряване, погрешен монтаж, неоторизирана модификация или опити за поправка, комерсиална употреба, повреда възникнала от неспазване на инструкциите и препоръките от тази книжка. Тази гаранция не покрива части като крушки, подвижни стъклени и пластмасови аксесоари.
3. Ако са нужни поправки от гаранцията, купувачът трябва да информира най – близкия сервиз (Zanussi сервиз или оторизиран такъв). Zanussi си запазва правото да уговаря мястото за отстраняване на повредата (в т.ч. домът на собственика, място на инсталацията или сервиза).
4. Гаранцията или безплатната подмяна включват както работата така и частите.
5. Поправките направени по време на гаранцията не удължават срока на самата гаранция. Части свелени по време на поправка в гаранция стават собственост на Zanussi.
6. Статута и правата на купувача не са зесегнати от тази гаранция.

Европейска гаранция

Ако се преместите в друга държава в Европа, то гаранцията продължава да важи и в новия Ви дом със следните условия:

- Гаранцията стартира от момента на закупуване на уреда.
- Гаранцията е със същата продължителност и условия на труд иподмяна на частите , които съществуват в новата страна за тази марка продукти.
- Тази гаранция се отнася до Вас и не може да се прехвърля на друг ползвател.
- Вашия нов дом е в рамките на Европейския съюз (ЕС) или Европейската зона за свободна търговия.
- Този уред е монтиран и използван според инструкциите и се ползва само в домакинството, т.е. нормална домакинска работа.
- Този продукт е монтиран според условията в новата страна.


 **From the Electrolux Group.** *The world's No.1 choice.*

The Electrolux Group is the world's largest producer of powered appliances for kitchen, cleaning and outdoor use. More than 55 million Electrolux Group products (such as refrigerators, cookers, washing machines, vacuum cleaners, chain saws and lawn mowers) are sold each year to a value of approx. USD 14 billion in more than 150 countries around the world.

Free Manuals Download Website

<http://myh66.com>

<http://usermanuals.us>

<http://www.somanuals.com>

<http://www.4manuals.cc>

<http://www.manual-lib.com>

<http://www.404manual.com>

<http://www.luxmanual.com>

<http://aubethermostatmanual.com>

Golf course search by state

<http://golfingnear.com>

Email search by domain

<http://emailbydomain.com>

Auto manuals search

<http://auto.somanuals.com>

TV manuals search

<http://tv.somanuals.com>