

RANGE COMPOSITION

The range consists of 4 models of work tables with upstand and a bowl positioned on the right or left hand side, 1400 or 1800 mm in length. The highly modular design of the tables guarantees a rational solution to any food preparation or support function in the professional kitchen. Upstand with 8 mm radiused corner, 100 mm high and 13 mm deep, designed to be used against a wall.



Model 132200+855300

1400&1800 mm

WORK TABLES WITH BOWL **ZANUSSI** PROFESSIONAL

FUNCTIONAL AND CONSTRUCTION FEATURES

- ◆ The 40 mm high worktop in 304 AISI stainless steel, 10/10 in thickness, incorporates a layer of sound deadening material, has upturned edges to protect the kitchen worker and a reinforced, waterproof under panel.
- ◆ Square section legs and 1" height-adjustable feet (40 mm) in 304 AISI stainless steel to allow perfect alignment with other food preparation equipment.
- ◆ The single-pressed bowl (400 x 400 x 200 mm) is supplied as standard with an overflow pipe and drain hole.
- ◆ Ease and speed of installation guaranteed by the fact that the table top slots into the legs without using screws.
- ◆ All work tables can be fitted, as optional extras, with a single drawer either 400 or 600 mm wide, a chest of 4 drawers either 400 or 600 mm

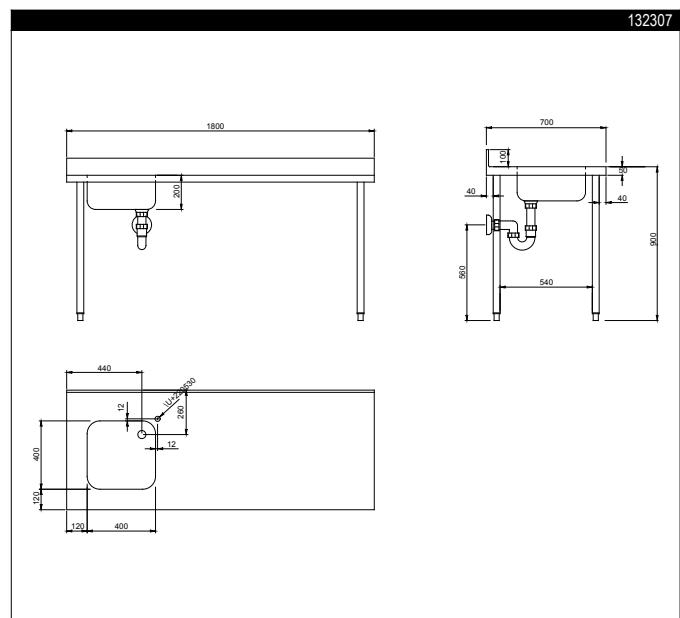
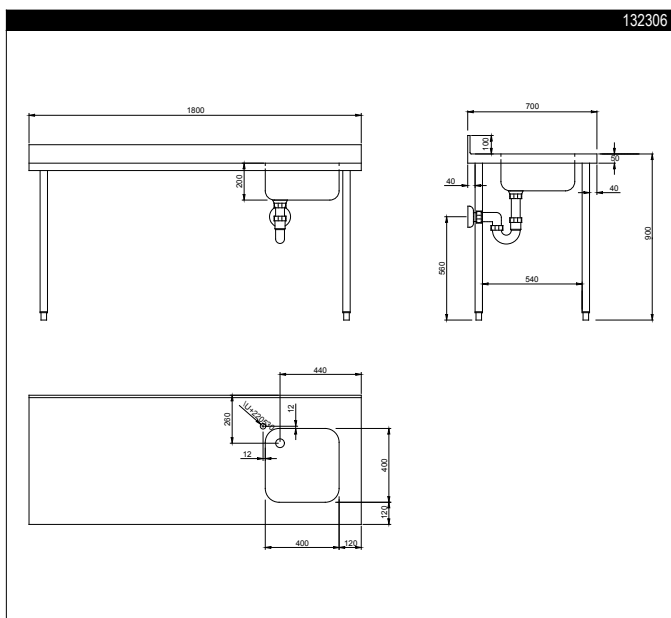
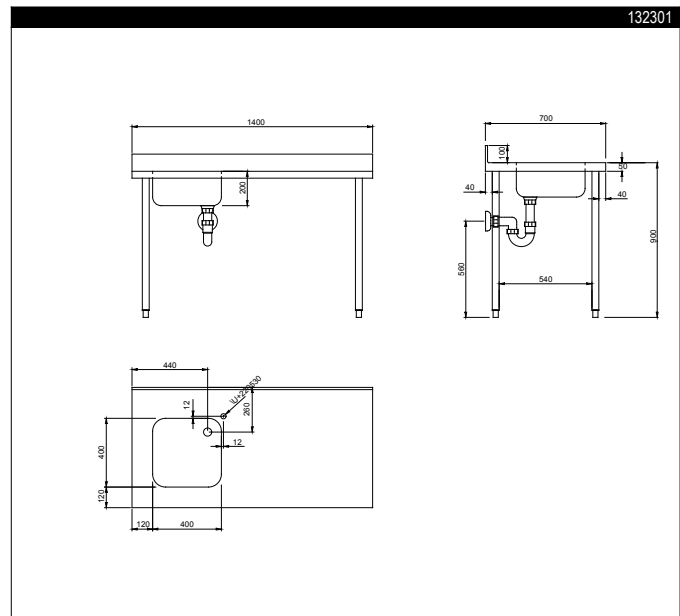
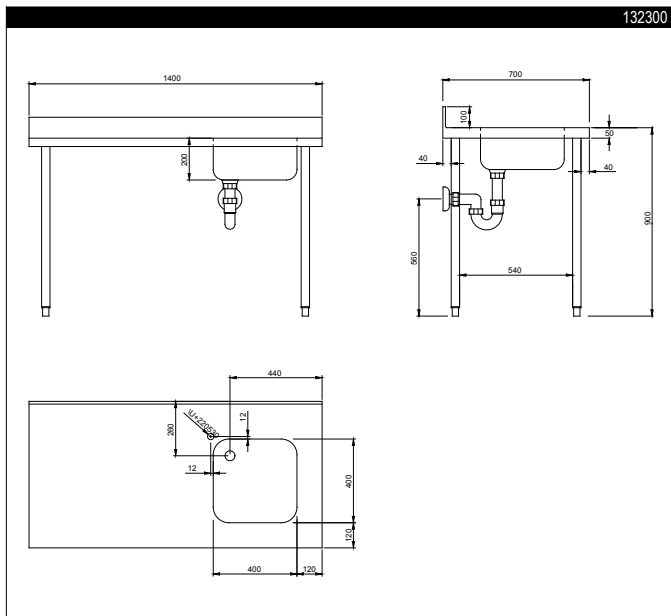
wide, a lower shelf, a three sided underframe and a set of castors as an alternative to the feet. Different taps are available to suit every need.

- ◆ The drawers, in 304 AISI stainless steel with a one-piece interior and rounded corners for greater hygiene and ease of cleaning, are designed to contain GN containers with a maximum height of 100 mm. They have a maximum load capacity of 40 kg.
- ◆ The lower shelf, 40 mm in thickness, slots easily into place, without the use of tools, at a height

of 200 mm from the floor. Smooth shelves are normally supplied, perforated ones are available on request. For installation of the chest of drawers the lower shelf must be ordered as well.

- ◆ All models comply with the more strict international standards as far as hygiene and cleanability are concerned.

TECHNICAL DATA				
CHARACTERISTICS	MODELS			
	TL1410DXP 132300	TL1410SXP 132301	TL1810DXP 132306	TL1810SXP 132307
External dimensions - mm				
width	1400	1400	1800	1800
depth	700	700	700	700
height	1000	1000	1000	1000
Worktop thickness - mm	50	50	50	50
Upstand dimensions - mm				
height	100	100	100	100
depth	13	13	13	13
radius	R=8	R=8	R=8	R=8
Bowls - n.	1	1	1	1
Bowl dimensions (wxdxh) - mm	400x400xH200	400x400xH200	400x400xH200	400x400xH200
Net weight - kg.	45	45	54	54



LEGEND

	TL1410DXP 132300	TL1410SXP 132301	TL1810DXP 132306	TL1810SXP 132307
A - Hot water inlet	3/4"	3/4"	3/4"	3/4"
B - Cold water inlet	3/4"	3/4"	3/4"	3/4"
C - Water drain	1 1/2"	1 1/2"	1 1/2"	1 1/2"

OPTIONAL ACCESSORIES ACCESSORIES	MODELS			
	TL1410DXP 132300	TL1410SXP 132301	TL1810DXP 132306	TL1810SXP 132307
3-SIDED UNDERFRAME FOR 1400 MM TABLES	855044	855044		
3-SIDED UNDERFRAME FOR 1800 MM TABLES			855048	855048
CHEST 4 DRAWERS (S/S RUNNERS) 600 MM	855813	855813	855813	855813
CHEST 4 DRAWERS(S/S RUNNERS) GN 1/1 400MM	855812	855812	855812	855812
DRAWER (GALVANIZED RUNNERS) 600 MM	855903	855903	855903	855903
DRAWER (GALVANIZED RUNNERS) GN 1/1 400MM	855902	855902	855902	855902
DRAWER (S/S RUNNERS) 600 MM	855811	855811	855811	855811
DRAWER (S/S RUNNERS) GN 1/1 400 MM	855810	855810	855810	855810
ELBOW OP.MIX.TAP+SHORT SPOUT-3/4" HOLE	855323	855323	855323	855323
FOOT OP.MIXER TAP(HOT+COLD)+SPOUT-3/4"	855328	855328	855328	855328
LOWER SHELF FOR 1400 MM TABLES	855014	855014		
LOWER SHELF FOR 1800 MM TABLES			855018	855018
MIXER TAP W/FOOT PEDAL FOR SINKS ON LEGS	855317	855317	855317	855317
MIXER TAP WITH SPOUT 3/4" SINGLE HOLE	855319	855319	855319	855319
MIXER TAP(INFRARED)+SPOUT 3/4"SING.HOLE	855325	855325	855325	855325
MIXER TAP(PREMIUM)+SPRAY ARM-3/4" HOLE	855326	855326	855326	855326
PRE-WASH SPRAY UNIT SINGLE HOLE	855315	855315	855315	855315
SINGLE BRASS DRAIN SYPHON 1.5"	855308	855308	855308	855308
SINGLE PLASTIC DRAIN SYPHON 1.5"	855306	855306	855306	855306
WALL MIXER TAP WITH SWIVEL SPOUT 3/4"	855310	855310	855310	855310



www.zanussiprofessional.com

Free Manuals Download Website

<http://myh66.com>

<http://usermanuals.us>

<http://www.somanuals.com>

<http://www.4manuals.cc>

<http://www.manual-lib.com>

<http://www.404manual.com>

<http://www.luxmanual.com>

<http://aubethermostatmanual.com>

Golf course search by state

<http://golfingnear.com>

Email search by domain

<http://emailbydomain.com>

Auto manuals search

<http://auto.somanuals.com>

TV manuals search

<http://tv.somanuals.com>