

RANGE COMPOSITION

The range consists of 4 single bowl soaking sinks on legs, varying in length from 1000 to 1600 mm.



132537

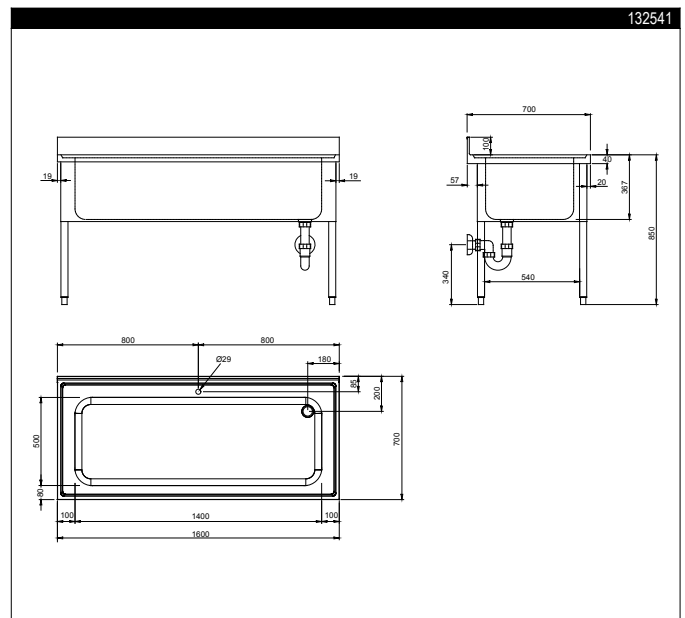
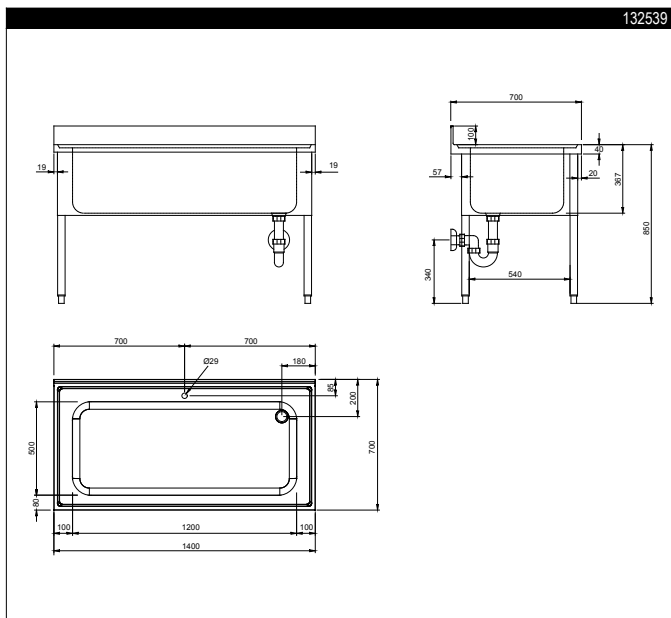
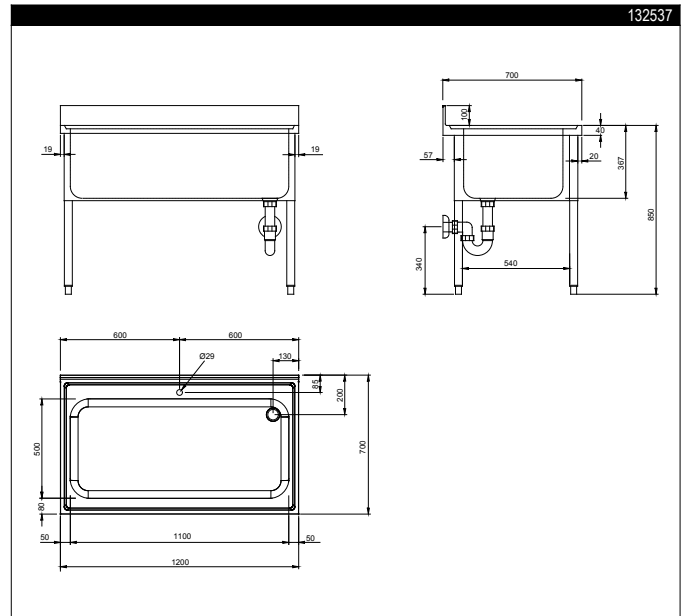
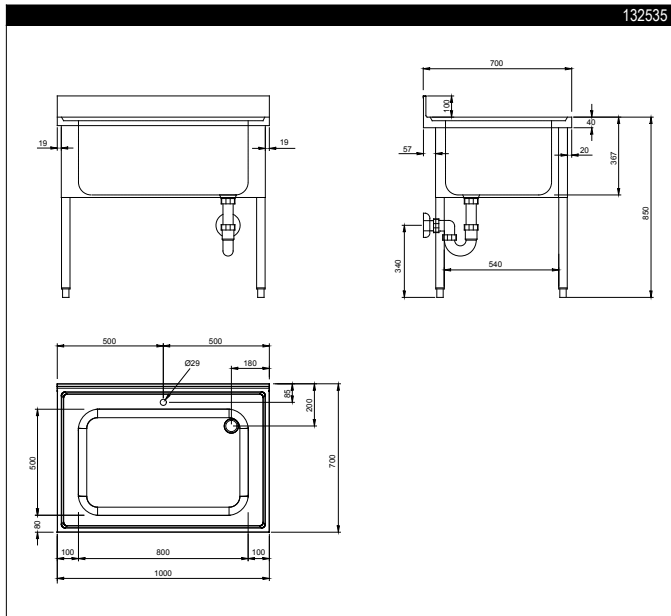
1000/1600 mm

ECO SOAKING SINK UNIT - 1 BOWL **ZANUSSI** PROFESSIONAL

FUNCTIONAL AND CONSTRUCTION FEATURES

- ◆ 40 mm high worktop in 304 AISI stainless steel, 700 mm in depth.
- ◆ 40 mm shelf in stainless steel with riveted corners and trasversal reinforcements (accessory available upon request).
- ◆ 40x40 mm square section feet in 304 AISI stainless steel.
- ◆ Front and side paneling in stainless steel and back paneling in stainless steel.
- ◆ 100 mm upstand.
- ◆ Handles are built directly into the sliding and hinged doors.

TECHNICAL DATA				
CHARACTERISTICS	MODELS			
	SLP10 132535	SLP12 132537	SLP14 132539	SLP16 132541
External dimensions - mm				
width	1000	1200	1400	1600
depth	700	700	700	700
height	850	850	850	850
Upstand dimensions - mm				
height	100	100	100	100
depth	13	13	13	13
radius	90°	90°	90°	R=8
Bowls - n.	1	1	1	1
Bowl dimensions (wxdxh) - mm	800x500xH350	1100x500xH350	1200x500xH350	1400x500xH350
Net weight - kg.	50	55	60	65



LEGEND

	SLP10 132535	SLP12 132537	SLP14 132539	SLP16 132541
A - Hot water inlet	3/4"	3/4"	3/4"	
B - Cold water inlet	3/4"	3/4"	3/4"	
C - Water drain	1 1/2"	1 1/2"	1 1/2"	1 1/2"

OPTIONAL ACCESSORIES

ACCESSORIES	MODELS			
	SLP10 132535	SLP12 132537	SLP14 132539	SLP16 132541
ELBOW OP.MIXER TAP+SPOUT-3/4" SINGLE HOLE	855322	855322	855322	855322
ELBOW OP.TAP+SPRAY ARM+SPOUT-3/4" HOLE	855324	855324	855324	855324
FOOT OP.MIXER TAP(HOT+COLD)+SPOUT-3/4"	855328	855328	855328	855328
LOWER SHELF 1000MM	855167			
LOWER SHELF 1200MM		855168		
LOWER SHELF 1400MM			855169	
LOWER SHELF 1600MM				855170
MAXIREEL-RETRACTABLE HOSE SPRAY UNIT 6M	855327	855327	855327	855327
MIXER TAP W/FOOT PEDAL FOR SINKS ON LEGS	855317	855317	855317	855317
MIXER TAP WITH SPOUT 3/4" SINGLE HOLE	855319	855319	855319	855319
MIXER TAP+SPRAY ARM+SPOUT-3/4" SING.HOLE	855329	855329	855329	855329
PRE-WASH SPRAY UNIT,SINGLE HOLE	855315	855315	855315	855315
SINGLE BRASS DRAIN SYPHON 1,5"	855308	855308	855308	855308
SINGLE PLASTIC DRAIN SYPHON 1,5"	855306	855306	855306	855306
WALL MIX.TAP+SPRAY+SPOUT+SH.LEVER+THERM	855307	855307	855307	855307
WALL MIXER TAP WITH SWIVEL SPOUT 3/4"	855310	855310	855310	855310



www.zanussiprofessional.com

Free Manuals Download Website

<http://myh66.com>

<http://usermanuals.us>

<http://www.somanuals.com>

<http://www.4manuals.cc>

<http://www.manual-lib.com>

<http://www.404manual.com>

<http://www.luxmanual.com>

<http://aubethermostatmanual.com>

Golf course search by state

<http://golfingnear.com>

Email search by domain

<http://emailbydomain.com>

Auto manuals search

<http://auto.somanuals.com>

TV manuals search

<http://tv.somanuals.com>