

## RANGE COMPOSITION

A range of hoods exploiting the "inductive emission" principle. Untreated air is introduced inside to partly compensate for that removed. This results in better drawing of fumes towards the filter surface and reduced air-treatment costs. The range consists of hoods with 5 different lengths (2400, 2800, 3200, 3600 and 4000 mm) and 2600 mm deep.



640042

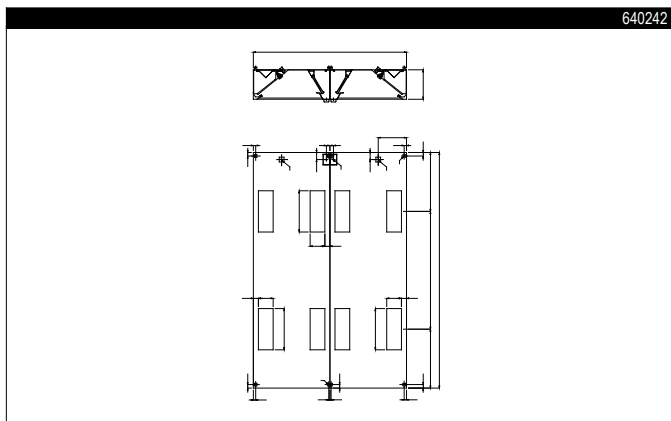
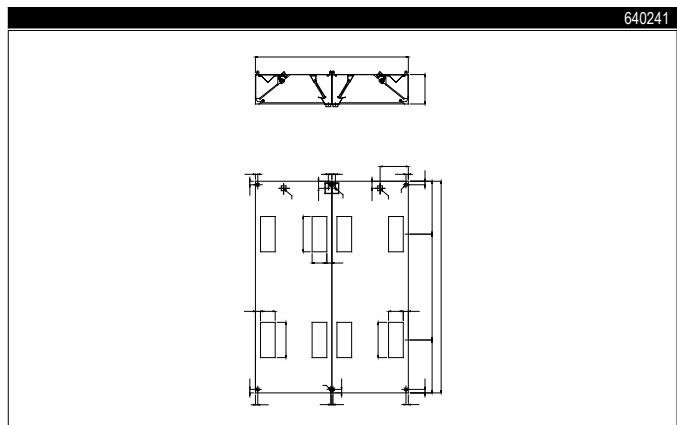
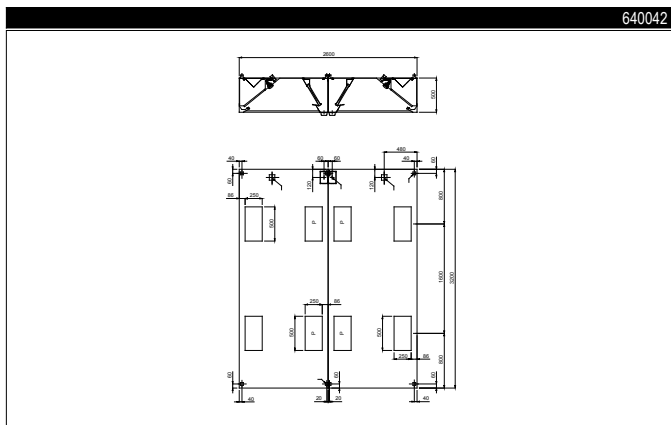
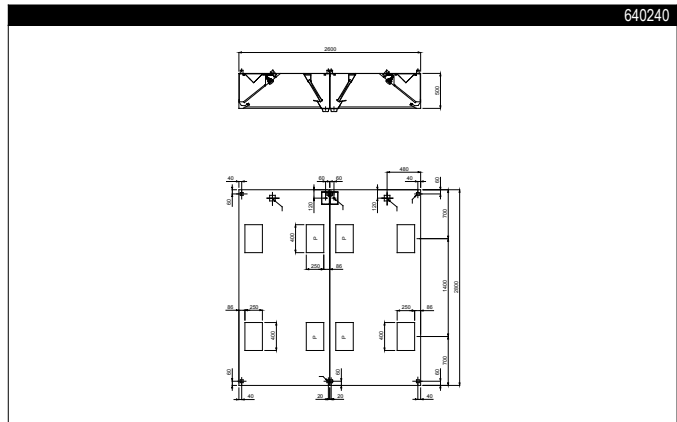
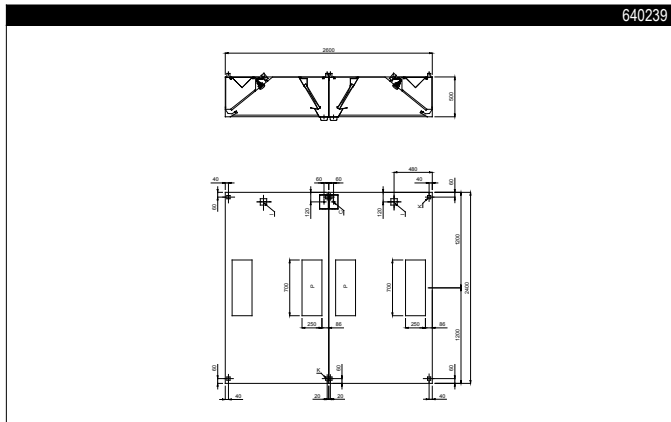
# SUPERTREDIL - S line MODULAR - 2600mm

**304 AISI CENTRAL HOODS** **ZANUSSI**  
PROFESSIONAL

## FUNCTIONAL AND CONSTRUCTION FEATURES

- ◆ Constructed entirely in 304 AISI stainless steel.
- ◆ Constructed as 2 separate wall units to join on site back to back.
- ◆ Two separate air circuits (extraction and intake) to reduce the quantity of treated air released in the environment.
- ◆ Rear exhaust with filters and front air intake through a narrow slot sized to obtain the correct induction effect.
- ◆ Perforated panel inside the intake circuit to guarantee a perfect and uniform air distribution.
- ◆ Completely insulated intake area to avoid external condensation.
- ◆ Labyrinth filters in 304 AISI stainless steel easily removable for cleaning. Labyrinth filters guarantee constant filtration to avoid clogging and protect against fire.
- ◆ Central gutter with drain hole to transfer grease into two 304 AISI containers.
- ◆ External panels with upturned edges to avoid injuries.
- ◆ The outlet holes are sized in order to minimize drops in pressure.
- ◆ Pressure gauging for perfect calibration.
- ◆ Built-in lighting with protective screen.
- ◆ Available, as optional accessory, an air intake Plenum, which is insulated to avoid condensation.
- ◆ Heating and air conditioning costs reduced up to 60%.

TECHNICAL DATA					
CHARACTERISTICS	MODELS				
	STCF2624 640239	STCF2628 640240	STCF2632 640042	STCF2636 640241	STCF2640 640242
External dimensions - mm					
width	2400	2800	3200	3600	4000
depth	2600	2600	2600	2600	2600
height	500	500	500	500	500
Air Capacity - mc/h	7900	9200	10500	11800	13200
Net weight - kg.	314	358	314	444	486



LEGEND	STCF2624 640239	STCF2628 640240	STCF2632 640042	STCF2636 640241	STCF2640 640242
I - Electrical connection	220 V, 1N, 50/60	220 V, 1N, 50/60	220 V, 1N, 50/60	220 V, 1N, 50/60	220 V, 1N, 50/60

OPTIONAL ACCESSORIES	MODELS				
ACCESSORIES	STCF2624 640239	STCF2628 640240	STCF2632 640042	STCF2636 640241	STCF2640 640242
EXTRACTION PLENUM FOR HOOD 2400 MM	640138				
EXTRACTION PLENUM FOR HOOD 2800 MM		640139			
EXTRACTION PLENUM FOR HOOD 3200 MM			640140		
EXTRACTION PLENUM FOR HOOD 3600 MM				640141	
EXTRACTION PLENUM FOR HOOD 4000 MM					640142
EXTRACTION PLENUM FOR MODUL.HOOD 2400 MM	640143				
EXTRACTION PLENUM FOR MODUL.HOOD 2800 MM		640144			
EXTRACTION PLENUM FOR MODUL.HOOD 3200 MM			640145		
EXTRACTION PLENUM FOR MODUL.HOOD 3600 MM				640259	
EXTRACTION PLENUM FOR MODUL.HOOD 4000 MM					640264
GALVAN. AIR INLET PLENUM FOR HOOD 2400MM	640374				
GALVAN. AIR INLET PLENUM FOR HOOD 2800MM		640375			
GALVAN. AIR INLET PLENUM FOR HOOD 3200MM			640376		
GALVAN. AIR INLET PLENUM FOR HOOD 3600MM				640377	
GALVAN. AIR INLET PLENUM FOR HOOD 4000MM					640378



www.zanussiprofessional.com

## Free Manuals Download Website

<http://myh66.com>

<http://usermanuals.us>

<http://www.somanuals.com>

<http://www.4manuals.cc>

<http://www.manual-lib.com>

<http://www.404manual.com>

<http://www.luxmanual.com>

<http://aubethermostatmanual.com>

Golf course search by state

<http://golfingnear.com>

Email search by domain

<http://emailbydomain.com>

Auto manuals search

<http://auto.somanuals.com>

TV manuals search

<http://tv.somanuals.com>