

RANGE COMPOSITION

A range of wall-mounted hoods that that can be paired with technological hoods offering sturdiness. The square shape of the container, makes them able to hold fumes before flowing to the filters. The range consists of hoods with 8 different lengths (1200, 1600, 2000, 2400, 2800, 3200, 3600 and 4000 mm) and 1400 mm deep.



EXPORT - E line - 1400 mm

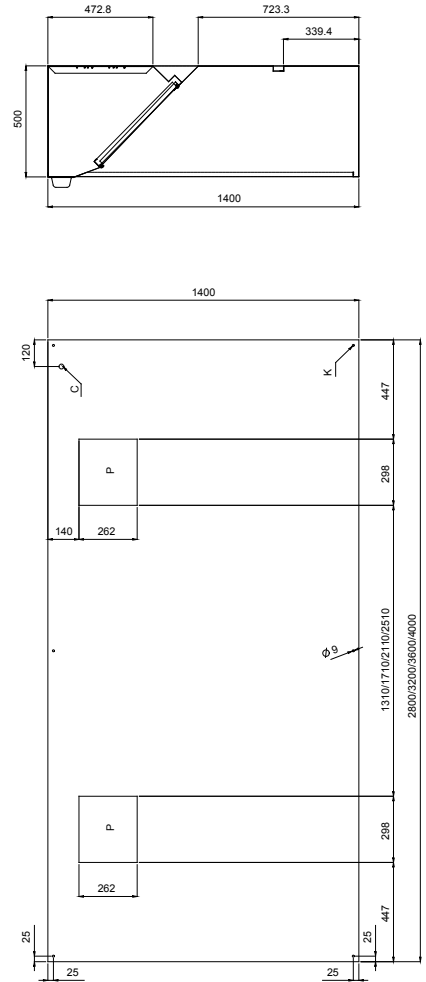
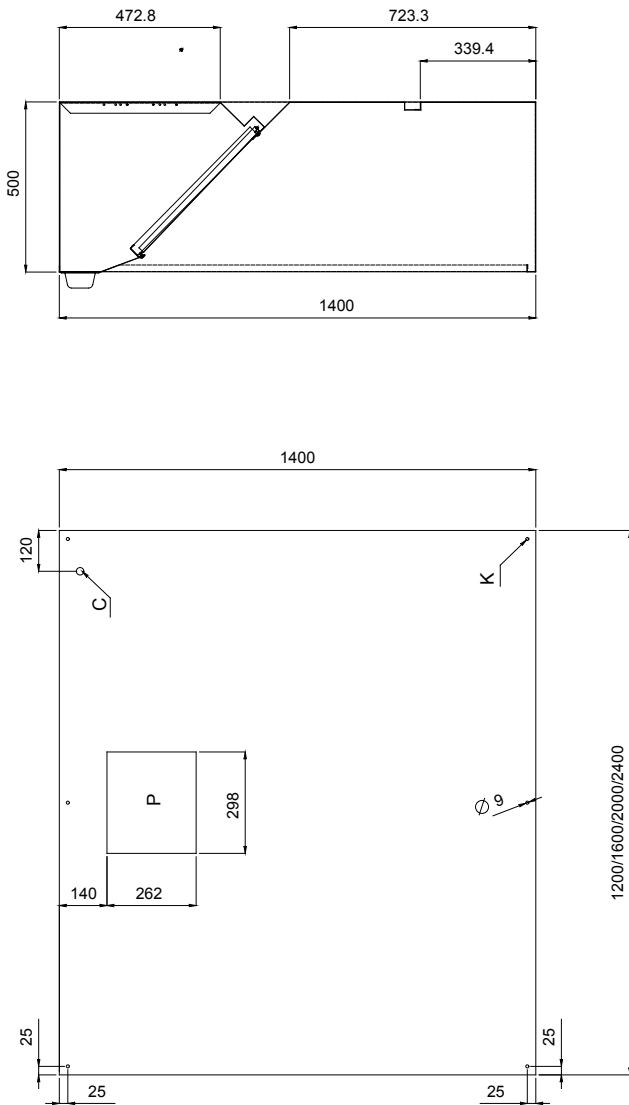
304 AISI WALL TYPE HOODS **ZANUSSI** PROFESSIONAL

FUNCTIONAL AND CONSTRUCTION FEATURES

- ◆ Constructed entirely in 304 AISI stainless steel.
- ◆ Labyrinth filters in 304 AISI stainless steel easily removable for cleaning. Labyrinth filters guarantee constant filtration to avoid clogging and protect against fire.

- ◆ Perimetral gutter with drain hole to transfer grease into a 304 AISI container.
- ◆ External panels with upturned edges to avoid injuries.
- ◆ Blind panels in 304 AISI stainless steel for a correct exhaustion.
- ◆ The outlet holes are sized in order to minimize drops in pressure.
- ◆ Pressure gauging for perfect calibration.
- ◆ Condensate collection tray in 304 AISI stainless steel.
- ◆ Eyebolts and screw anchors for ceiling installation.
- ◆ Prearranged for installation of lighting.

TECHNICAL DATA								
CHARACTERISTICS	MODELS							
	EP1412T 642023	EP1416T 642024	EP1420T 642025	EP1424T 642026	EP1428T 642011	EP1432T 642027	EP1436T 642028	EP1440T 642029
External dimensions - mm								
width	1200	1600	2000	2400	2800	3200	3600	4000
depth	1400	1400	1400	1400	1400	1400	1400	1400
height	500	500	500	500	500	500	500	500
Air Capacity - mc/h	1900	2500	3100	3700	4400	5000	5600	6200
Net weight - kg.	32	38	45	53	58	68	76	83
INCLUDED ACCESSORIES								
304 S/S BLIND PANEL 400X500H MM	1		1	1			1	1
304 S/S LABYRINTH FILTER H=500 MM					5	6	6	7



OPTIONAL ACCESSORIES								
ACCESSORIES	MODELS							
	EP1412T 642023	EP1416T 642024	EP1420T 642025	EP1424T 642026	EP1428T 642011	EP1432T 642027	EP1436T 642028	EP1440T 642029
27-WATT LIGHTING FIXTURE W/1 LAMP-IP 65	680804		680804	680804			680804	680804
36-WATT LIGHTING FIXTURE W/1 LAMP-IP 65		680805			680805	680805	680805	680805
DRAIN FOR HOODS DIAM. 1/2"(M) WITH PLUG	640409	640409	640409	640409	640409	640409	640409	640409
FAN FOR VENTIL HOODS+DUCTED EXTRACT.UNIT	640748	640748	640748	640748	640748	640748	640748	640748
SPEED VARIATOR FOR MOTORS UP TO 1.17 KW	640076	640076	640076	640076				
SPEED VARIATOR FOR MOTORS UP TO 1.7 KW					640686	640686	640686	640686



www.zanussiprofessional.com

Free Manuals Download Website

<http://myh66.com>

<http://usermanuals.us>

<http://www.somanuals.com>

<http://www.4manuals.cc>

<http://www.manual-lib.com>

<http://www.404manual.com>

<http://www.luxmanual.com>

<http://aubethermostatmanual.com>

Golf course search by state

<http://golfingnear.com>

Email search by domain

<http://emailbydomain.com>

Auto manuals search

<http://auto.somanuals.com>

TV manuals search

<http://tv.somanuals.com>