

INSTRUCTION BOOKLET

**ZANUSSI**

**COOKER HOOD**  
**ZHC 95 ALU**

# IMPORTANT SAFETY INFORMATION

These warnings are provided in the interests of your safety. Ensure that you understand them all before installing or using this appliance. Your safety is of paramount importance. If you are unsure about any of the meanings of these warnings contact the Customer Care Department.

## Installation

- Any installation work must be undertaken by a qualified electrician or competent person.
- This hood must be installed in accordance with the installation instructions and all measurements adhered to.
- If the cooker hood is installed for use above a gas appliance then the provision for ventilation must be in accordance with the Gas Safety Code of Practice BS.6172, BS.5440 and BS.6891 (natural gas) and BS.5482 (LP gas) 1994, the Gas Safety (Installation & Use) Regulations, the Building Regulations issued by the Dept. of the Environment, the Building Standards (Scotland) (Consolidated) Regulations issued by the Scottish Development Department.
- The fan motor of the cooker hood incorporates a cut-out device, which will operate if the cooker hood is installed below the minimum height recommended in the Technical Information section, or if the motor becomes overheated. If the cut-out device is activated, switch off the motor and allow the hood to cool. The cut-out device will reset itself when the fan motor has cooled.
- It is dangerous to alter the specifications or modify this product in any way.
- When installed between adjoining wall cabinets, the cabinets must not overhang the hob.
- If the room where the hood is to be used contains a fuel burning appliance such as a central heating boiler then its flue must be of the room sealed or balanced flue type.
- If other types of flue or appliances are fitted ensure that there is an adequate supply of air to the room.
- When the hood is used in conjunction with appliances supplied with energy other than electricity, the negative pressure in the room must not exceed 0.04mbar to prevent fumes being drawn back into the room by the hood.

- The ducting system for this appliance must not be connected to any existing ventilation system which is being used for any other purpose.
- Do not install above a cooker with a high level grill.

## Child Safety

- The appliance is designed to be operated by adults. Children should not be allowed to tamper with the controls or play with the appliance.

## During Use

- This appliance is for domestic use only.
- Never leave frying pans unattended during use as over-heated fat and oil might catch fire.
- Never do flambé cooking under this cooker hood.
- Do not leave naked flames under this hood.

## Maintenance and Service

- This appliance can be a fire hazard if the grease and charcoal filters are not cleaned or replaced as recommended.
- Under no circumstances should you attempt to repair the appliance yourself. Repairs carried out by inexperienced persons may cause injury or serious malfunctioning. Refer to your local Zanussi Service Force Centre. Always insist on genuine spare parts.

# CONTENTS

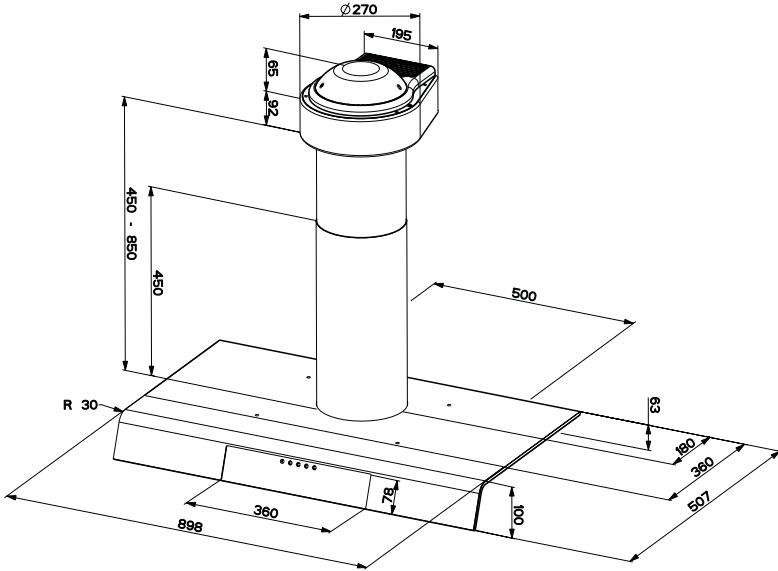
## For the User

Important Safety Information	2
Your Appliance	4
Operating Instructions	4
Maintenance and Cleaning	5
Something Not Working	6
Service and Spare Parts	6
Customer Care Department	6
Service Force Centres	7
Guarantee Conditions	9

## For the Installer

Technical Information	10
Electrical Connections	10
Installing the Cooker Hood	11

## YOUR APPLIANCE



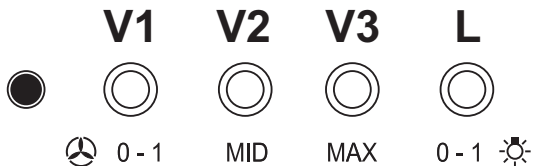
## OPERATING INSTRUCTIONS

This cooker hood is designed to extract unpleasant odours from the kitchen, **it will not extract steam.**

To obtain the best performance it is advisable to switch on the hood a few minutes before you start cooking and leave it running for approximately 15 minutes after you finish cooking.

### Cooker Hood Controls

- L = Light switch
- V1 = On/Off switch and first motor speed
- V2 = Second speed
- V3 = Third speed



# MAINTENANCE AND CLEANING



Before carrying out any maintenance or cleaning isolate the cooker hood from the mains supply.

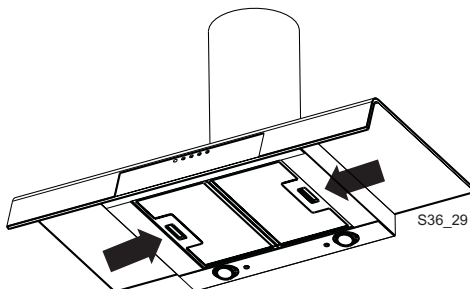


The cooker hood must be kept clean, a build up of grease or fat can be a fire hazard.

## Metal grease filters

It is necessary to wash these filters at least every two months with warm water to which a little washing up liquid has been added. Their compact size means that they can be washed in the dishwasher.

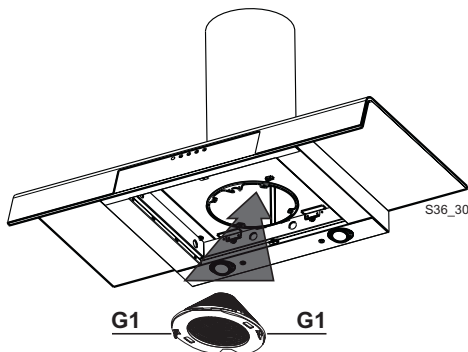
Replace the metal grease filters by removing the filter retaining clips (see below).



## Carbon filters

The carbon filters have to be replaced when they are saturated, they cannot be cleaned and reused. They should be replaced after approximately 4 months, or sooner if the hood is used intensively.

To replace the carbon filters, remove the grease filters and then the carbon filters push inwards on the two retaining clips (G1) and disengage the security fixing and remove.

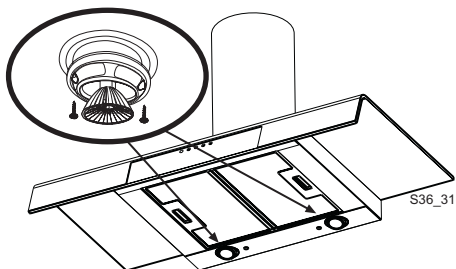


## Light

The light consists of 2 x 20W halogen spotlights.

To replace the lights, remove the two screws that lock the metal ring in place.

Take the spotlight out of the holder by pulling gently. When replacing, ensure that the screws are firmly inserted back in place.



## External Cleaning

Any fat deposits should be removed regularly, at least every two months. Avoid using abrasive or corrosive cleaning products.

To clean the outside of the cooker hood, use a cloth dipped in lukewarm water to which a small amount of washing up liquid has been added.

The inside of the appliance should be cleaned with a soft cloth or brush dipped in warm soapy water.

## SOMETHING NOT WORKING

If, having carried out these instructions carefully, your cooker hood fails to work properly please carry out the following checks.

Symptom	Solution
The cooker hood will not start.	Check that the hood is connected to the electricity supply. Check that the fan speed control is on.
The cooker hood is not working effectively.	Is the fan speed high enough for the task? Is the grease filter clean? Is the kitchen adequately vented to allow the entry of fresh air. If set up for re-circulation, check that the charcoal filter is still effective. If set up for extraction, check that the ducting and outlets are not blocked.
The cooker hood has switched off during operation.	Has the safety cut-out tripped? Turn off the hob and wait for the device to reset.

If after all these checks, the problem persists, contact your local Service Force Centre, quoting the model number and serial number.

Please note that it will be necessary to provide proof of purchase for any in-guarantee calls.

**In-guarantee customers should ensure that the above checks have been made as the engineer will make a charge if the fault is not a mechanical or electrical breakdown.**

## SERVICE AND SPARE PARTS

If you require an engineer or wish to purchase spare parts contact your local Service Force Centre by telephoning:

**08705 929929**

Your telephone call will be routed to the Service Force Centre covering your postcode area.

For general assistance with your appliance or for information on other Zanussi products please contact our Customer Care Department by letter or telephone at the address shown or visit our website at [www.zanussi.co.uk](http://www.zanussi.co.uk) <<http://www.zanussi.co.uk>>.

Customer Care Department  
Zanussi  
55-77 High Street  
Slough  
Berkshire  
SL1 1DZ

Telephone: 08705 727727 \*

\* calls to this number may be recorded for training purposes.

To contact your local Service Force Centre telephone **08705 929 929**

<p style="text-align: center;"><b>CHANNEL ISLANDS</b></p> <p>GUERNSEY      Guernsey Electricity PO Box 4 Vale, Guernsey Channel Islands GY1 3AD</p> <p>JERSEY          Jersey Electricity Company Haut De L'orme Rue De Haut De L'orme Trinity Jersey Channel Islands JE3 5FG</p>	<p>ISLE OF LEWIS      ND Macleod 16 James Street Stornoway Isle of Lewis PA87 2QW</p> <p>KELSO                2, 6 &amp; 8 Woodmarket Kelso Borders TD5 7AX</p> <p>ORKNEY              7 King Street Kirkwall Orkney KW15 1JF</p>	<p style="text-align: center;"><b>NORTH EAST</b></p> <p>GATESHEAD        Unit 356a Dukesway Court Dukesway Gateshead NE11 0BH</p> <p>GRIMSBY            15 Hainton Avenue Grimsby N. E. Lincs DN32 9AS</p> <p>HULL                 Unit 1 Boulevard Industrial Estate Hull HU3 4AY</p> <p>LEEDS                64-66 Cross Gates Road Cross Gates Leeds LS15 7YS</p> <p>NEWTON AYCLIFFE   Unit 23 Northfield Way Aycliffe Industrial Park Newton Aycliffe DL5 6EJ</p> <p>SHEFFIELD         Pennine House Roman Ridge Road Sheffield S9 1GB</p>
<b>SCOTLAND</b>		
<p>ABERDEEN         54 Claremont Street Aberdeen AB10 6RA</p> <p>AUCHTERMUCHTY   33a Burnside Auchtermuchty Fife KY14 7AJ</p> <p>BLANTYRE          Unit 5 Block 2 Auchenraith Ind. Estate Rosendale Way Blantyre G72 0NJ</p> <p>DUMFRIES          93 Irish Street Dumfries DG1 2 PQ</p> <p>DUNOON            7 Hill Street Dunoon Argyll PA23 7AL</p> <p>EDINBURGH        Unit 12 Dumbryden Ind. Estate 2 Dumbryden Road Edinburgh EH14 2AB</p> <p>GLASGOW          Unit 4 Wellington Road Bishopriggs Glasgow G64 2SA</p> <p>INVERNESS        Unit 3BI Smithton Ind. Estate Smithton Inverness IV2 7WL</p> <p>ISLE OF ARRAN    R Haggerty Bruach Blackwaterfoot Isle of Arran</p> <p>ISLE OF BARRA    J Zerfah 244 Bruernish Isle of Barra Western Islands HS9 5QY</p> <p>ISLES OF BUTE    Walker Engineering Glenmhor Upper Serpentine Road Rothsay Isle of Bute PA20 9EH</p>	<p>PERTH                Scottish Hydro Electric Central Warehouse Inveralmond Perth PH1 3AF</p> <p>(OWN SALES)</p> <p>SHETLAND          3-4 Carlton Place Lerwick Shetland ZE1 0PW</p> <p>(OWN SALES)</p> <p>SHETLAND          Bolts Shetland 26 North Road Lerwick Shetland ZE1 0PE</p> <p>(OWN SALES)</p> <p>WHALSAY           Leask Electrical Harisdale Symbister, Whalsay Shetland ZE2 9AA</p> <p>(OWN SALES)</p>	<p style="text-align: center;"><b>NORTH WEST</b></p> <p>BIRKENHEAD        1 Kelvin Park Dock Road Birkenhead CH41 1LT</p> <p>CARLISLE           Unit 7 James Street Workshops James Street Carlisle Cumbria CA2 5AH</p> <p>ISLE OF MAN        South Quay Ind. Estate Douglas Isle of Man IM1 5AT</p> <p>BOLTON             Unit B Central Industrial Estate St Marks Street Bolton BL3 6NR</p> <p>PRESTON            Unit 250 Dawson Place Bamber Bridge Preston Lancashire PR5 8AL</p> <p>STOCKPORT         Unit 20 Haigh Park Haigh Avenue Stockport SK4 1QR</p>
<b>NORTHERN IRELAND</b>		
<p>BELFAST            Owenmore House Kilwee Business Park Dunmurry Belfast BT17 0HD</p>	<p style="text-align: center;"><b>WALES</b></p> <p>CARDIFF            Unit 4 Guardian Industrial Estate Clydesmuir Road Cardiff CF2 2QS</p> <p>CLYWD              Unit 6-7 Coed Parc Abergele Road Rhuddlan Clwyd LL18 5UG</p> <p>DYFED               Unit 9 St. Clears Business Park Tenby Road St. Clears Carmarthen SA33 4JW</p> <p>OSWESTRY          Plas Ffynnon Warehouse Middleton Road Oswestry SY11 2PP</p>	

To contact your local Service Force Centre telephone **08705 929 929**

MIDLANDS		LONDON & EAST ANGLIA		SOUTH EAST	
BIRMINGHAM	66 Birch Road East Wyrley Trading Estate Witton Birmingham B6 7DB	BECKENHAM	11a Gardner Ind. Estate Kent House Lane Beckenham Kent BR3 1QZ	ASHFORD	Unit 2 Bridge Road Business Centre Bridge Road Ashford Kent TN23 1BB
BOURNE	Pinfield Road Bourne PE10 9HT	CHELMSFORD	Hanbury Road Widford Ind. Estate Chelmsford Essex CM12 3AE	FLEET	Unit 1 Redfields Ind. Estate Church Crookham Fleet Hampshire GU13 0RD
BRIDGNORTH	68 St. Mary's Street Bridgnorth Shropshire WV16 4DR	COLINDALE	Unit 14 Capitol Park Capitol Way Colindale London NW9 0EQ	HAYWARDS HEATH	21-25 Bridge Road Haywards Heath Sussex RH16 1UA
GLOUCESTER	101 Rycroft Street Gloucester GL1 4NB	ELTHAM	194 Court Road Mottingham Eltham London SE9 4EW	TONBRIDGE	Unit 30 Deacon Trading Estate Morley Road Tonbridge TN9 1RA
HEREFORD	Units 3 & 4 Bank Buildings Cattle market Hareford HE4 9HX	ENFIELD	284 Alma Road Enfield London EN3 7BB		
HIGHAM FERRERS	30 High Street Higham Ferrers Northants NN10 8PL	GRAVESEND	Unit B4 Imperial Business Estate West Mill Gravesend Kent DA11 0DL		
ILKESTON	Unit 2 Furnace Road Ilkeston DE7 5EP	IPSWICH	Unit 6C Elton Park Business Centre Hadleigh Road Ipswich IP2 0DD	BARNSTAPLE	Main Road Fremington Barnstaple North Devon EX31 2NT
LEICESTER	Unit 7 Oaks Industrial Estate Coventry Road Narborough Leicestershire LE9 5GF	LETCHWORTH	16-17 Woodside Ind. Park Works Road Letchworth Herts SG6 1LA	BOURNEMOUTH	63-65 Curzon Road Bournemouth Dorset BH1 4PW
LINCOLN	Unit 8 Clifton Street Stone Field Park Lincoln LN5 8LQ	LONDON	2 - 4 Royal Lane Yiewsley West Drayton Middlesex UB7 8DL	BRIDGEWATER	6 Herswell Business Park Salmon Parade Bridgwater Somerset TA6 5PY
NEWCASTLE UNDER LYME	18-21 Croft Road Brampton Ind. Estate Newcastle under Lyme Staffordshire ST5 0TW	MAIDENHEAD	Reform Road Maidenhead Berkshire SL6 8BY	BRISTOL	11 Eldon Way Eldonwall Trading Estate Bristol BS4 3QQ
REDDITCH	13 Thornhill Road North Moons Moat Redditch Worcestershire B98 9ND	MOLESEY	10 Island Farm Avenue West Molesey Surrey KT8 2UZ	EMSWORTH	266 Main Road Southbourne Emsworth PO10 8JL
TAMWORTH	Unit 3 Sterling Park Claymore Tamworth B77 5DQ	NEWBURY	9 Pipers Court Berkshire Drive Thatcham Berkshire RG19 4ER	ISLE OF WIGHT	Unit 8 Enterprise Court Ryde Business Park Ryde Isle of Wight PO33 1DB
WORCESTER	Units 1 & 2 Northbrooks Close Gregorys Mill Ind. Estate Worcester WR3 8BP	NORWICH	2b Trafalgar Street Norwich NR1 3HN	NEWTON ABBOT	Unit 2 Zealley Ind. Estate Kingsteignton Newton Abbot TQ12 3TD
		SUNBURY	Unit 1a The Summit Hanworth Road Sunbury on Thames TW16 5DB	REDRUTH	Unit 7D Pool Ind. Estate Druids Road Redruth Cornwall TR15 3RH



# GUARANTEE CONDITIONS

## Standard Guarantee Conditions

We, Zanussi, undertake that if within 24 months of the date of the purchase this Zanussi built-in appliance or any part thereof is proved to be defective by reason only of faulty workmanship or materials, the company will, at our option, repair or replace the same FREE OF ANY CHARGE for labour, materials and carriage on condition that:

- The appliance has been correctly installed and used only on the electrical supply stated on the rating plate.
- The appliance has been used for normal domestic purposes only, and in accordance with the manufacturer's operating and maintenance instructions.
- The appliance has not been serviced, maintained, repaired, taken apart or tampered with by any person not authorised by us.
- All service work under this guarantee must be undertaken by a Zanussi Service Force Centre.
- Any appliances or defective parts replaced shall become the property of this company.

Home visits are made between 8.30am and 5.30pm Monday to Friday. Visits may be available outside these hours in which case a premium will be charged.

## EXCLUSIONS

**This Guarantee does not cover:**

- Damage or calls resulting from transportation, improper use or neglect, the replacement of any light bulbs or removable parts of glass or plastic.
- Costs incurred for calls to put right appliances improperly installed or calls to appliances outside the United Kingdom.
- Appliances found to be in use within a commercial environment, plus those which are the subject of rental agreements.
- Products of Zanussi manufacture which were not marketed by Zanussi.

This guarantee is in addition to your statutory and legal rights.

## ZANUSSI EUROPEAN GUARANTEE

If you move to another country within Europe then your guarantee moves with you to your new home subject to the following qualifications:

- The guarantee starts from the date you first purchased your product.
- The guarantee is for the same period and to the same extent for labour and parts as exists in the new country of use for this brand or range of products.
- The product is installed and used in accordance with our instructions and is only used domestically, i.e. a normal household.
- The product is installed taking into account regulations in your new country.

Before you move please contact your nearest Customer Care centre, listed below, to give them details of your new home. They will ensure that the local Service organisation is aware of your move and able to look after you and your appliance.

France	Senlis	+33 (0)3 44 62 29 99
Germany	Nurnberg	+49 (0)911 323 2600
Italy	Pordenone	+39 (0)01678 47053
Sweden	Stockholm	+46 (0)8 738 79 50
UK	Slough	+44 (0)1753 219897

# INSTALLATION INSTRUCTIONS

It is dangerous to alter the specifications or attempt to modify this product in any way.

## Technical Information

DIMENSIONS	Height (CANOPY)	100 mm
	Height (CHIMNEY)	450-850 mm
	Width (CANOPY)	898 mm
	Width (CHIMNEY)	200 - 270 mm
	Depth	507 mm
	Gross weight	24,5 kg
	Net weight	20 kg
DUCTING OUTLET DIAMETER		Ø120 mm
ELECTRICAL SUPPLY:		220-240V (50Hz)
POWER CONSUMPTION:		180 W
FAN MOTOR:		140 W
LAMP:	(2x40W halogen spotlights)	40 W
SUITABLE FOR INSTALLATION ABOVE:	Electric Slot-In Cooker:	13,5 KW
	Gas Slot-In Cooker:	12,4 KW
	Electric Hob:	7 KW
	Gas Hob:	10 KW



NOTE: CE marking certifies that this appliance complies with the requirements laid down in the EEC directive 89:336 (Electromagnetic Compatibility) and subsequent modifications; EEC directive 73/23 (Low Voltage) and any subsequent modifications.

## ELECTRICAL CONNECTION



**This appliance must be earthed.**

### Electrical Requirements

Any permanent electrical installation must comply with the latest I.E.E. Regulations and local Electricity Board Regulations. For your own safety this should be undertaken by a qualified electrician e.g. your local Electricity Board, or a contractor who is registered with the National Inspection Council for Electrical Installation Contracting (NICEIC).

### Electrical Connection

Before connecting to the mains supply ensure that the mains voltage corresponds to the voltage on the rating plate inside the cooker hood.

This appliance is fitted with a 3 core mains cable and must be permanently connected to the electricity supply via a double-pole switch having 3mm minimum contact gap on each pole. A Switched Fuse Connection Unit to BS1363 Part 4, fitted with a 3 Amp fuse, is a recommended mains supply connection accessory to ensure compliance with the Safety Requirements applicable to fixed wiring instructions.

This appliance conforms to BS 800: 1988 and EEC Directive No. 78 308 regarding suppression of radio and television interference.

# INSTALLING THE COOKER HOOD

Please ensure that when the appliance is installed it is easily accessible to an engineer in the event of a breakdown.



All installation must comply with the local authorities requirements for the discharge of exhaust air.

Incorrect installation may affect the safety of this cooker hood.

## Installation Requirements



Before installation, check that the wall to which the cooker hood is to be fitted for electricity cables and water and gas pipes.

This cooker hood is designed to be fixed to any rigid vertical surface over a cooking area, and can be used in the extraction (ducted to the outside) or recirculation (internal recycling) mode.

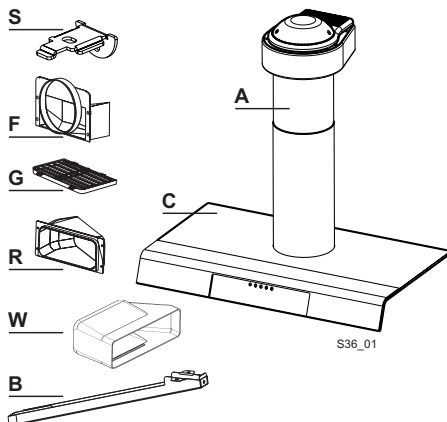
The installation work must be carried out by a qualified electrician or competent person.

The manufacturer declines any responsibility for damages due to incorrect installation of the cooker hood or if the cooker hood is not installed in compliance with relevant regulations controlling this type of installation.

Before unpacking the cooker hood position the carton with the arrows pointing upwards as illustrated on the carton.

The cooker hood is made up of the following components:

- 1 No. Canopy **C** complete with controls and worktop illumination.
- 1 No. Telescopic chimney stack **A** complete with ducting fan unit.
- 1 No. Flange 120mm **F**
- 1 No. Venting grille **G**
- 1 No. Spigot **R**
- 1 No. Ducting conversion bend **W**
- 1 No. Support rod **B**
- 1 No. Fixing kit containing a wall bracket **S** to fix the canopy hood, the cover and documentation.



# INSTALLATION INSTRUCTIONS

## Clearance Heights

The cooker hood is designed to be fitted over a cooking appliance at the clearance heights stated, providing the maximum output of the appliance beneath does not exceed the maximums quoted in the Technical Specifications.

If the output of the appliance below the cooker hood exceeds the maximum outputs quoted, please refer to the cooker manufacturer's installation instructions.

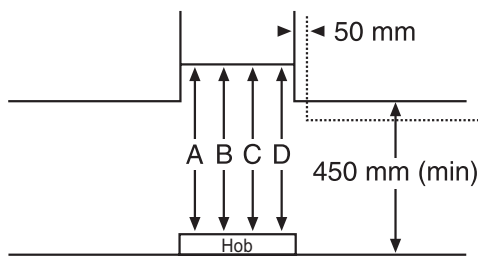
A minimum clearance height of 650mm(25 1/2 ") is required when installed above a built-in electric hob, or 700mm (27 1/2 ") when installed above a built-in gas hob.

A minimum clearance height of 685mm (27") is required when installed above a slot-in electric oven, or 787mm (30 1/2 ") when installed above a slot-in gas oven.

When installed between adjoining wall cabinets, the wall cabinets must not overhang the hob and the distance between the underside of the cabinet and the worktop must be 450mm. If the height of the wall cabinet is less than 450mm a gap of 50mm must be maintained either side of the hob.



This cooker hood must not be installed above a cooking appliance with a high level grill.



- A: Built-in Electric Hob: 650mm minimum clearance
- B: Built-in Gas hob: 700mm minimum clearance
- C: Slot-in Electric Cooker: 685mm minimum clearance
- D: Slot-in Gas Cooker: 787mm minimum clearance

This appliance can be used in either a ducting or filtering mode.

**Ducting** – Cooking vapours and/or odours are passed straight outside (ceiling and/or wall) via a disposal duct, using the holes that are on the top and/or the back of the appliance.

**Filtering** – Cooking vapours and/or odours are removed from the air by 2 charcoal filters and the air is then re-circulated around the room from the front vents.

**ATTENTION:** For the filtering option it is absolutely necessary to use the charcoal filters but not for the ducting option.

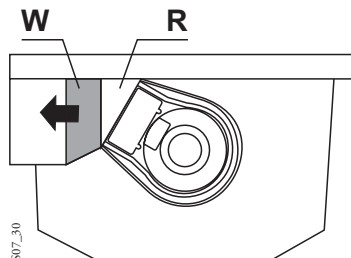
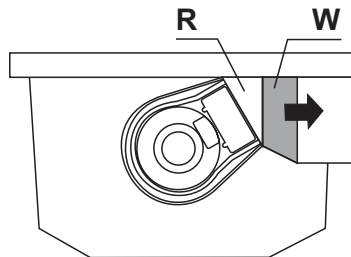
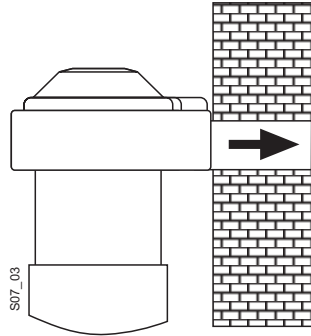
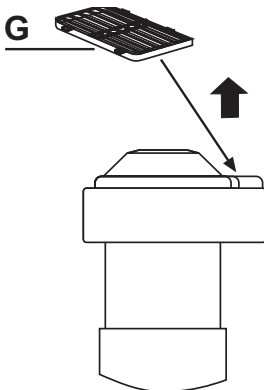
# INSTALLATION INSTRUCTIONS

The versatility of the ducting fan unit on this hood enables it to be installed in one of four different ways:

- Air outlet directed upwards (re-circulation fitting only).
- Air outlet directed towards the wall (ducting fitting only).
- Air outlet directed to the right or left (ducting fitting only). For correct installation of the hood, please proceed in the following stages:
  - Selection of the type of installation
  - Installation of the hood canopy C
  - Installation of the chimney A
  - Ducting or re-circulation fitting
  - Electrical connection and testing

## Selecting the type of installation

- Air discharge towards the top  
In this case the hood can be used in filter mode
- Air discharge towards the wall  
In this case the hood can only be used in suction mode.
- Side air discharge, Lh or Rh.  
In this case the hood can only be used in suction mode.

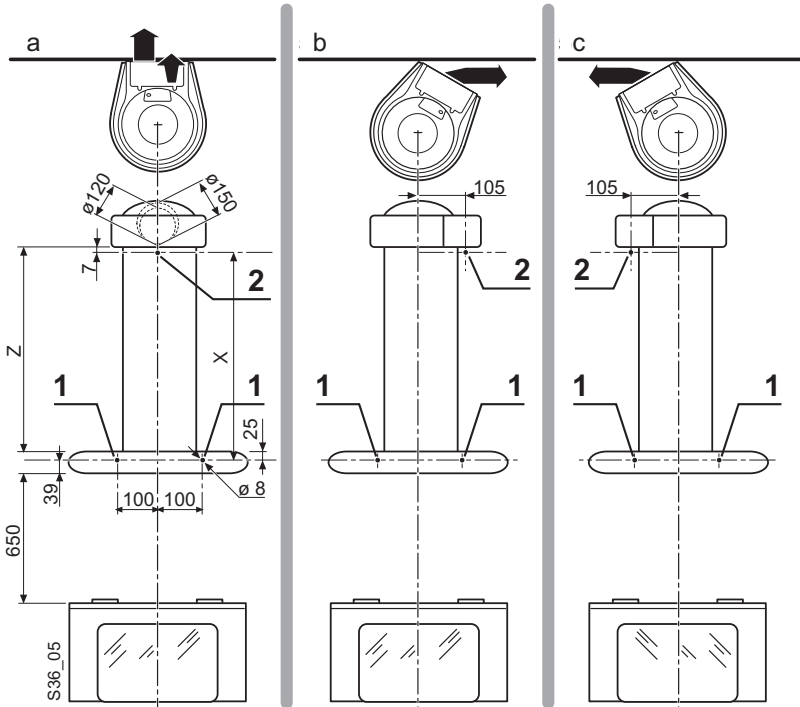


# INSTALLATION INSTRUCTIONS

## Installation of the hood canopy C

### Drilling the wall

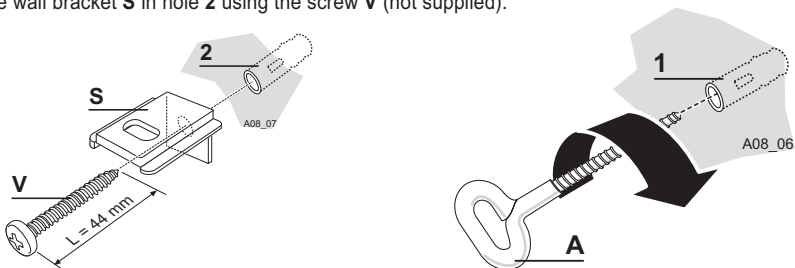
- a) Using the cardboard template provided, mark on the wall the centres of holes **1** for fixing of the hood canopy **C**. The centre of hole **2** for fixing the chimney, (a) air outlet directed upwards or towards the wall, (b-c) air outlet to the right or left hand side, must be marked at a distance **X** from the line between holes **1**, obtained by measuring the extension **Z** of the chimney required for installation, plus 18 mm  $X = Z + 25 - 7$ . Using a  $\varnothing 8$  mm drill bit, drill the points marked in this way.



- b) When installed with the air outlet directed towards the wall (a), it will be necessary to drill an air ducting opening, measuring  $\varnothing 120$  mm, according to the diameter of the flange **F** provided.

### Fitting the fixing elements

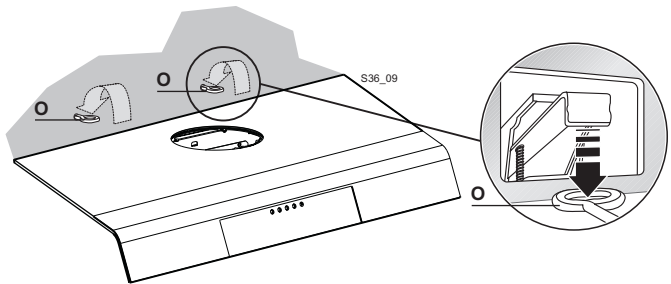
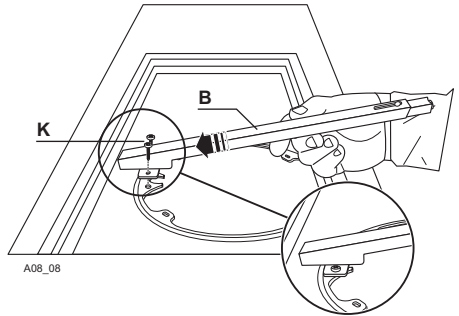
- Insert the rawl plugs into holes **1** and **2**.
- Fit the eye bolts **O**.
- Fix the wall bracket **S** in hole **2** using the screw **V** (not supplied).



# INSTALLATION INSTRUCTIONS

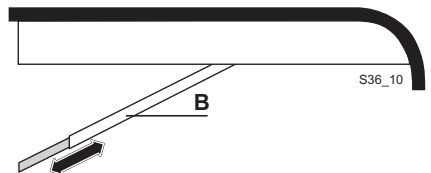
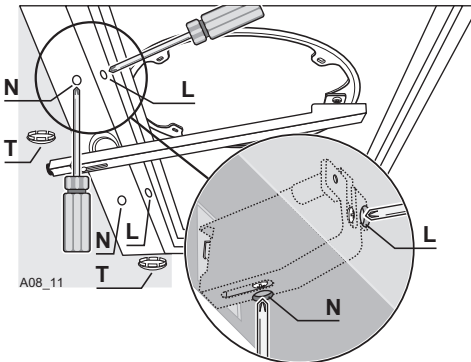
## Fitting the hood canopy C to the wall

- Remove the lower grill and the active charcoal filter if present (see paragraph on maintenance).
- Fit the support rod **B** using the two screws **K** (3,5x9,5) provided.
- Hook the hood canopy **C** to the eye bolts **O** fixed in holes 1.
- Adjust the support rod **B** so that it pushes against the wall.
- Adjusting position. There are two adjustable hooks at the rear of the hood, which can be used to adjust its position as follows:
  - Turn the screws **L** until the position of screws **N** coincides with the lower access holes.
  - Turn the screws **N** to adjust the vertical and horizontal position of the hood.
  - Lock the screws **L** to fasten the hood against the wall.
  - Insert the plugs **T** provided in the holes giving access to screws **N**.



## Installation of the chimney A

No matter which type of installation is being used, any wooden shelves in the area where the hood is to be fitted must first be removed, drilled and later replaced.



# INSTALLATION INSTRUCTIONS

## Drilling the shelves:

- a) Using the cardboard template provided, and taking hole "B" as a point of reference, drill the shelves along the central axis to allow the passage of the chimney.

The chimney must be inserted into the shelves before it is fixed to the hood canopy C.

- b) When installing the re-circulation version with the air outlet directed upwards, if the fan unit is positioned below the line of shelves it will be necessary to drill a suitable hole in the top shelf only, to allow the air ducting pipe to pass through.

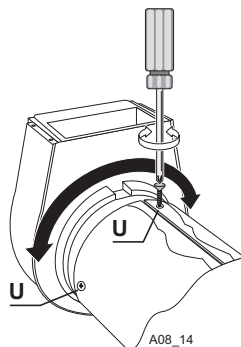
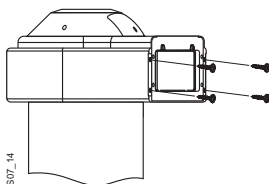
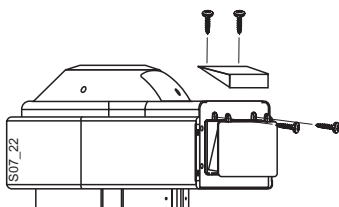
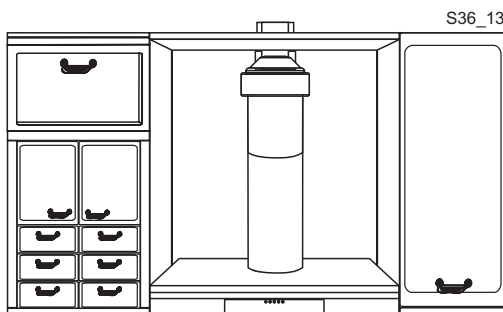
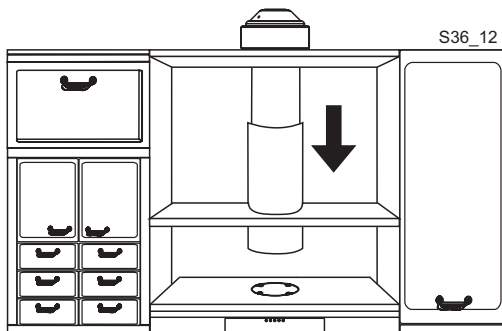
## Direction and position of the ducting fan unit

- a) The hood is normally supplied with the air outlet directed towards the wall, if it is to be installed with the air outlet directed to the right or left, it will be necessary to change the direction of the ducting fan unit, proceeding as follows:

- Unscrew the screws U;
- Turn the ducting fan unit 60 ° to the right or left;
- Replace the screws U.

- b) The ducting fan unit air outlets must be arranged according to the type of installation to be carried out.

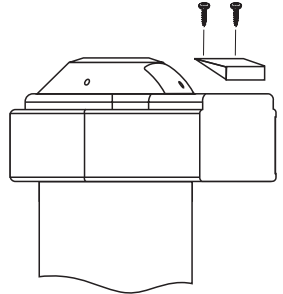
- Air outlet directed upwards (re-circulation only)
- Remove the plastic plug from the upper part of the venting grill and replace it on the rear part.
- Air outlet directed towards the wall.
- Remove the plastic frame from the air outlet.





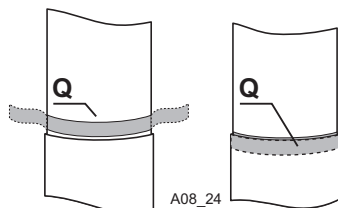
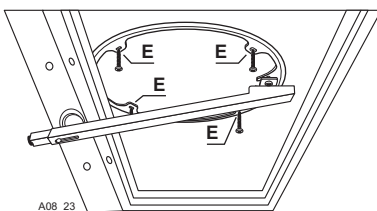
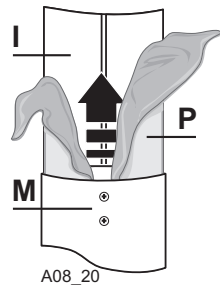
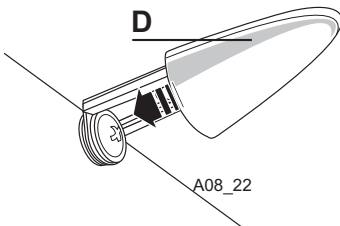
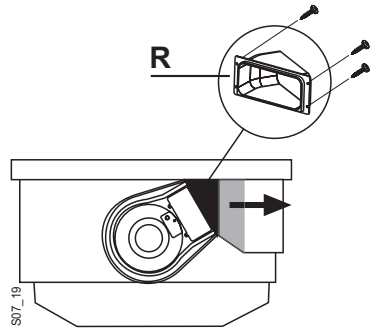
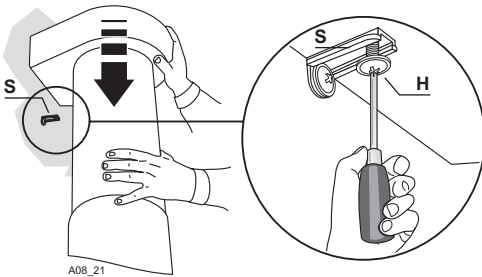
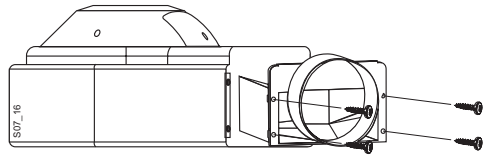
# INSTALLATION INSTRUCTIONS

- Remove the plug from the upper part of the ducting fan unit, as it is not possible to insert the flange **F** with the plug in place.
- Fit the flange **F** Ø120 or 150 mm, replace the plug.
- Air outlet directed to the right or left hand side.
- Remove the four screws fastening the plastic frame, as shown in figure .
- Fit the ducting spigot **R** and replace the four screws removed as above.



## Fixing the chimney

- Loosen the screws **M** fixing the two parts of the chimney and pull the inner section **I** almost all the way out. Remove the protective film **P**.
- Rest the lower section of the chimney in its housing on the top of the hood canopy. Lower the ducting fan unit until it reaches the wall bracket **S** and fix it using the screw **H** provided. Fit the cover **D** (provided) on the wall bracket **S**.
- Fix the chimney to the hood canopy **C** using the four screws provided.
- Insert the transparent seal **Q** (provided), so as to eliminate any play between the two parts of the chimney. Lock the screws **M**.
- Remove the support rod **B**.



# INSTALLATION INSTRUCTIONS

## Ducting or re-circulation fitting

### Ducting fitting.

This is possible for all forms of installation:

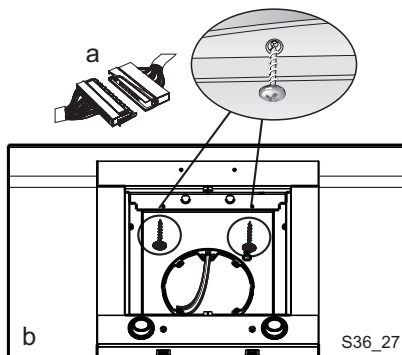
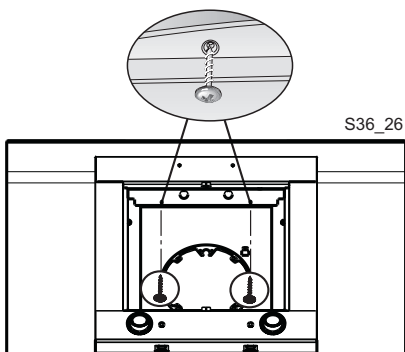
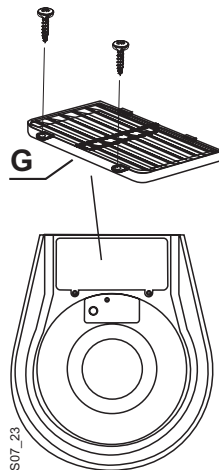
- a) Connect the air outlet to the external ducting system.
- b) Remove the activated charcoal filter (if there is one) inside the hood canopy (see Maintenance).

### Re-circulation fitting

This is only possible with the air outlet directed upwards. Fit the venting grille **G** onto the air outlet. The activated charcoal filter should be fitted inside the hood canopy after connection to the power supply.

### Connection to power supply and checking of good working order

- 1 - It is absolutely necessary to follow the warnings 3.2,3.3 and 3.4 of paragraph 3, concerning safety measures.
- 2 - Loosen the two locking screws and remove the metal cover.  
Connect the hood connection to the engine connection (**a**). Correctly place the connectors under the cover and tighten the two locking screws (**b**).
- 3 - Once electrical connection has been carried out, check that lights, engine and change of speed work.
- 4 - Fit the lower grill and the activated carbon filter (only for filter mode)(see Maintenance).







Dir. 89/336/CEE  
73/23/CEE

© Electrolux Household Appliances Limited 2001

4329478 03 - 010910

## Free Manuals Download Website

<http://myh66.com>

<http://usermanuals.us>

<http://www.somanuals.com>

<http://www.4manuals.cc>

<http://www.manual-lib.com>

<http://www.404manual.com>

<http://www.luxmanual.com>

<http://aubethermostatmanual.com>

Golf course search by state

<http://golfingnear.com>

Email search by domain

<http://emailbydomain.com>

Auto manuals search

<http://auto.somanuals.com>

TV manuals search

<http://tv.somanuals.com>