



# PARTS LIST

## CONVERTIBLE BRUSHCUTTER

**EXZ2610**

**EXZ-PU**

**BC-EX**

**ENGINE**

**LRT-EX (ATT)**

**PS-EX (ATT)**

**HE-EX (ATT)**

### NOTE :

1. Use ZENOAH genuine parts specified in the parts list for repair and/or replacement.
2. ZENOAH does not warrant the machines, those which have been damaged by the use of any parts other than those specified by the company.
3. When placing orders of parts for repair and/or replacement, check if the model name and the serial number are suitable to those specified in the parts list, then use parts number described in the parts list.
4. The contents described in the parts list may change due to improvement.
5. The parts for the machine shall be supplied within ten (10) years after the machine is discontinued. [It is possible that some specific parts may be subject to change of their delivery term and list price within the limit of ten (10) years after the machine is discontinued. And it is also possible that some parts may be available even after the limit of ten (10) years.]

May 2008

APPLICABLE SERIAL NUMBERS :

DRIVE UNIT 80100001 and up

ENGINE UNIT 80100001 and up

Fig.1 EXZ-PU

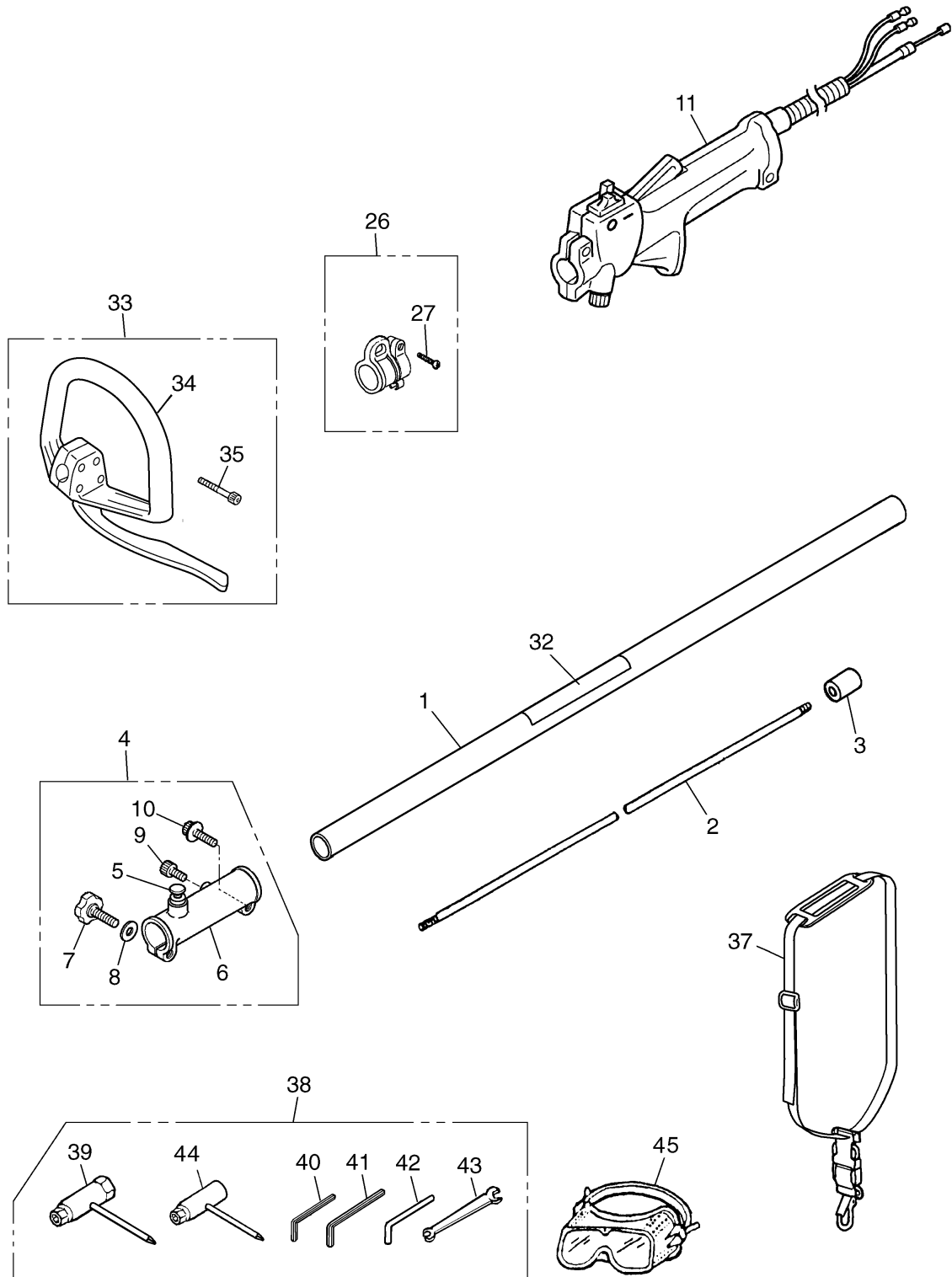


Fig.1 EXZ-PU

Key#	PART NUMBER	DESCRIPTION	Q'TY /UNIT	NOTE	Key#	PART NUMBER	DESCRIPTION	Q'TY /UNIT	NOTE
1	T3075-12100	PIPE COMP.	1	ø24x750					
2	T3075-12210	SHAFT	1	786x7					
3	6036-12250	SPACER	1						
4	T3087-12400	JOINT, PIPE ASS'Y	1						
5	T3087-12600	• STOPPER COMP.	1						
6	T3087-12410	• JOINT	1						
7	6036-12420	• KNOBBOLT	1						
8	01643-30823	• WASHER	1						
9	01252-30510	• BOLT	1						
10	3540-13260	• BOLT	1						
11	T3101-11330	GRIP ASSY	1						
26	T3300-17202	HANGER COMP.	1						
27	8488052000	• SCREW	1						
32	848JPY90R0	PLATE-NAME	1						
33	T3110-14000	HANDLE ASSY	1						
34	T3110-14110	• HANDLE	1						
35	0263-90530	• SCREW	4						
37	848J823610	STRAP ASSY	1						
38	8488U00110	TOOL-SET	1						
39	T3039-91310	• SOCKET	1						
40	09007-00425	• WRENCH	1						
41	09007-00528	• WRENCH	1						
42	3540-91110	• BAR	1						
43	3540-91120	• SPANNER	1						
44	8488010010	• SOCKET	1						
45	T3002-91190	GOGGLE	1						

Fig.2 BC-EX

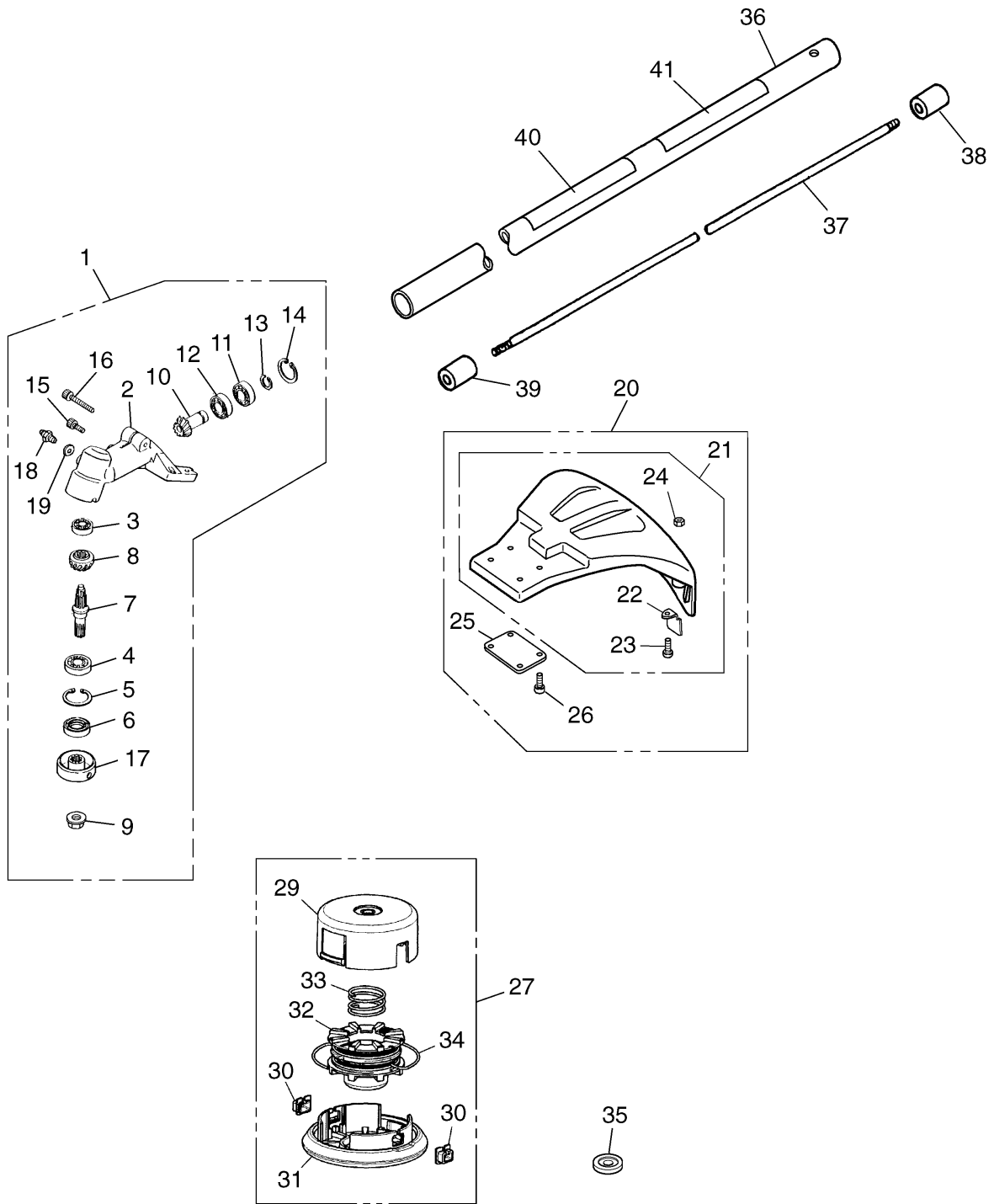


Fig.2 BC-EX

Key#	PART NUMBER	DESCRIPTION	Q'TY /UNIT	NOTE	Key#	PART NUMBER	DESCRIPTION	Q'TY /UNIT	NOTE
1	T3002-13001	GEARCASE-ASSY	1						
2	6489-13110	• GEARCASE	1						
3	T3300-13521	• BEARING	1						
4	T3403-13510	• BEARING	1						
5	04065-02612	• RING	1						
6	3565-13130	• SEAL	1						
7	T3002-13210	• SHAFT	1						
8	6440-13220	• GEAR	1						
9	T3002-13260	• NUT, M10	1						
10	T3002-13310	• PINION	1						
11	T3300-13531	• BEARING	1						
12	T3403-13530	• BEARING	1						
13	T3300-13330	• RING	1						
14	04065-02412	• RING	1						
15	01252-30510	• BOLT	1						
16	3350-21320	• BOLT	1						
17	6440-13242	• HOLDER (A)	1						
18	3199-13350	• FITTING, grease	1						
19	01641-20608	• WASHER	1						
20	T3002-24001	GUARD-ASSY	1						
21	T3002-24101	• GUARD COMP.	1						
22	T3002-24121	•• BLADE	1						
23	0263-90516	•• SCREW	1						
24	3320-15310	•• NUT	1						
25	6489-24120	• PLATE	1						
26	01252-30514	• BOLT	4						
27	848BU36914	TAP HEAD COMP.	1						
29	848BU369M4	• CASE	1						
30	T3189-15191	• EYELET	2						
31	T3189-15132	• COVER	1						
32	T3189-15142	• CORD HOLDER	1						
33	T3189-15160	• SPRING	1						
34	848BU369S0	• CORD	1						
35	6019-13250	HOLDER (B)	1						
36	T3102-12100	PIPE COMP.	1	ø24x750					
37	T3102-12210	SHAFT	1	755x7					
38	6036-12241	SHAFT-JOINT	1						
39	6036-12250	SPACER	1						
40	8488X10020	PLATE, caution	1						
41	T3234-12511	PLATE, name	1						

Fig.3 ENGINE UNIT

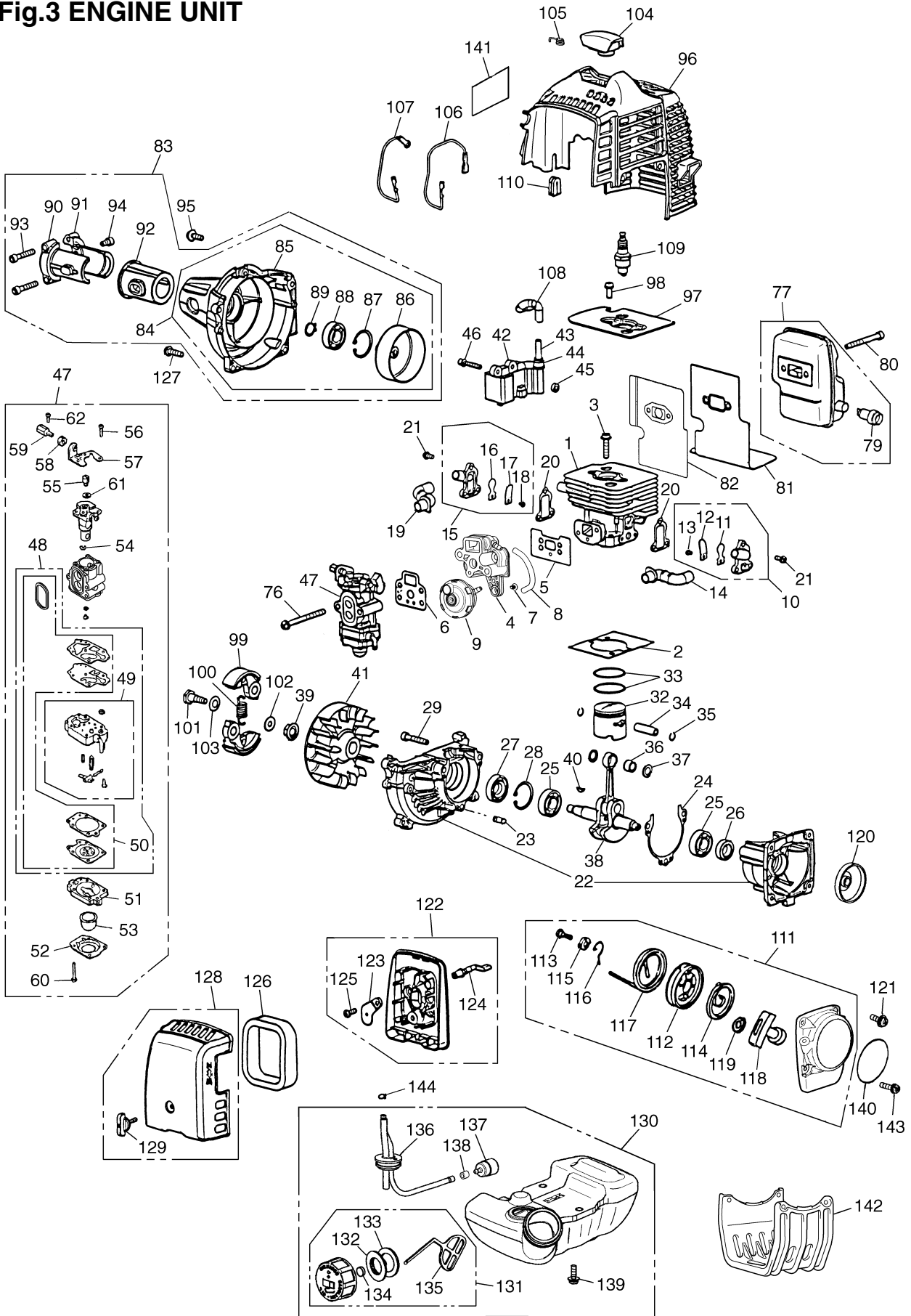


Fig.3 ENGINE UNIT

Key#	PART NUMBER	DESCRIPTION	Q'TY /UNIT	NOTE	Key#	PART NUMBER	DESCRIPTION	Q'TY /UNIT	NOTE
1	848F3R12A2	CYLINDER	1		81	848F3R15C0	GASKET	1	
2	848F3R12B0	GASKET, base	1		82	848F3R15D0	PLATE, muffler	1	
3	4820-12130	BOLT, M5x22	2		83	848F305304	HOUSING ASSY	1	
4	848F4014A0	INSULATOR	1		84	4810-31102	• COVER COMP.	1	
5	848F4014B0	GASKET, insulator	1		85	4810-31111	•• COVER, fan	1	
6	T1590-13130	GASKET, carburetor	1		86	848F3051A1	•• DRUM	1	
7	8488530600	SCREW, M3x6	1		87	04065-02812	•• SNAPRING	1	
8	8488F40550	TUBE	1		88	T1701-31150	•• BEARING	1	
9	848F408801	PUMP ASSY	1		89	04064-01210	•• SNAP RING	1	
10	848F3R1601	REEDVALVE (S) ASSY	1		90	6470-31211	• BRACKET (A)	1	
11	848F3R16C0	• REEDVALVE	1		91	6470-31221	• BRACKET (B)	1	
12	4810-16130	• STOPPER	1		92	6470-31230	• CUSHION	1	
13	4810-16170	• SCREW, M3x8	1		93	4820-21310	• BOLT, M5x30	2	
14	848F3R16E0	PIRE AIR (S)	1		94	8488151210	• BOLT, M5x14	1	
15	848F3R1611	REEDVALVE (F) ASSY	1		95	4820-32120	SCREW, M5x16	3	
16	848F3R16C0	• REEDVALVE	1		96	848F3R31A0	COVER, engine	1	
17	4810-16130	• STOPPER	1		97	848F3R12G0	PLATE	1	
18	4810-16170	• SCREW, M3x8	1		98	4820-12350	SCREW, M5x10	2	
19	848F3R16F0	PIPE AIR (F)	1		99	4820-51110	SHOE	2	
20	848F3R16H0	GASKET, valve	2		100	4820-51220	SPRING	1	
21	8488141000	SCREW	6		101	1140-51250	SCREW	2	
22	4810-21101	CRANKCASE COMP.	1		102	1140-51230	WASHER	2	
23	2629-21130	• PIN	3		103	1140-51242	WASHER	2	
24	4810-21140	GASKET	1		104	848F3071C2	CAP	1	
25	06030-06001	BEARING	2		105	1900-72120	SPRING	1	
26	4810-21210	SEAL	1		106	4810-71240	CORD	1	
27	1850-21220	SEAL	1		107	4810-71250	CORD, earth	1	
28	04065-02812	SNAP RING	1		108	T1512-71320	TUBE	1	
29	4820-21310	BOLT, M5x30	3		109	3699-91867	PLUG, NGK CMR7H	1	
32	848F4041A0	PISTON	1		110	4810-72120	GROMMET	1	
33	8488C34101	RING	2		111	4810-75100	RECOIL ASSY	1	
34	8488B82800	PIN	1		112	4500-75120	• REEL	1	
35	1260-41320	RING	2		113	4500-75150	• SCREW	1	
36	T1551-41410	BEARING	1		114	1850-75130	• SPRING, spiral	1	
37	8488738002	WASHER	2		115	4500-75180	• COLLAR	1	
38	848F3R4200	CRANKSHAFT COMP.	1		116	4500-75190	• ARM	1	
39	1650-43230	NUT	1		117	4810-75160	• ROPE	1	
40	1000-43240	KEY	1		118	3330-75421	• KNOB	1	
41	4810-71110	ROTOR	1		119	4810-75170	• PLATE, stopper	1	
42	T1512-71200	COIL ASSY	1		120	4500-75210	PULLEY	1	
43	T1512-71220	• CORD	1		121	T1501-32120	SCREW, M5x16	2	
44	2616-71320	• CAP	1		122	4810-82100	BODY ASSY	1	
45	1260-71261	SPACER	2		123	4810-82130	• PLATE, choke	1	
46	4820-72150	BOLT, M4x22	2		124	5500-82140	• LEVER, choke	1	
47	848F4C8100	CARBURETOR ASSY	1		125	2630-33610	• SCREW	1	
48	848F600630	• REBUILD KIT	1		126	4810-82170	ELEMENT	1	
49	1850-81450	•• BODY ASSY	1		127	4820-12310	BOLT, M5x22	2	
50	4810-06021	•• GASKET KIT	1		128	848F408321	COVER ASSY	1	
51	848F4081G0	• BODY	1		129	5500-82221	• KNOB	1	
52	1850-81520	• COVER	1		130	848F348501	TANK ASSY	1	
53	1751-81510	• PUMP	1		131	T1015-85202	• CAP ASSY	1	
54	1751-81130	• RING	1		132	4500-85300	•• HOLDER ASSY	1	
55	1881-81140	• SWIVEL	1		133	4500-85220	•• PACKING	1	
56	1752-81110	• SCREW	2		134	5601-85260	•• FILTER	1	
57	5500-81120	• BRACKET	1		135	4820-85260	•• STOPPER	1	
58	1751-81180	• NUT	1		136	4810-85300	• PIPE COMP.	1	
59	8488361200	• SCREW	1		137	3302-85400	• FLTER ASSY	1	
60	1850-81530	• SCREW	4		138	1260-85460	• CLIP	1	
61	5500-81160	• WASHER	1		139	4820-85510	SCREW, M5x16	3	
62	8488330400	• SCREW	1		140	T1504-75411	LABEL, recoil	1	
76	4820-82310	SCREW, M5x60	2		141	848F6190B1	LABEL, cover	1	
77	848F401510	MUFFLER ASSY	1		142	848F4085Z0	GUARD	1	
79	4810-15140	• ARRESTER	1		143	4820-12130	BOLT, M5x22	2	
80	4820-15310	BOLT, M5x50	2		144	1950-86120	CLIP	1	

Fig.4 LRT-EX

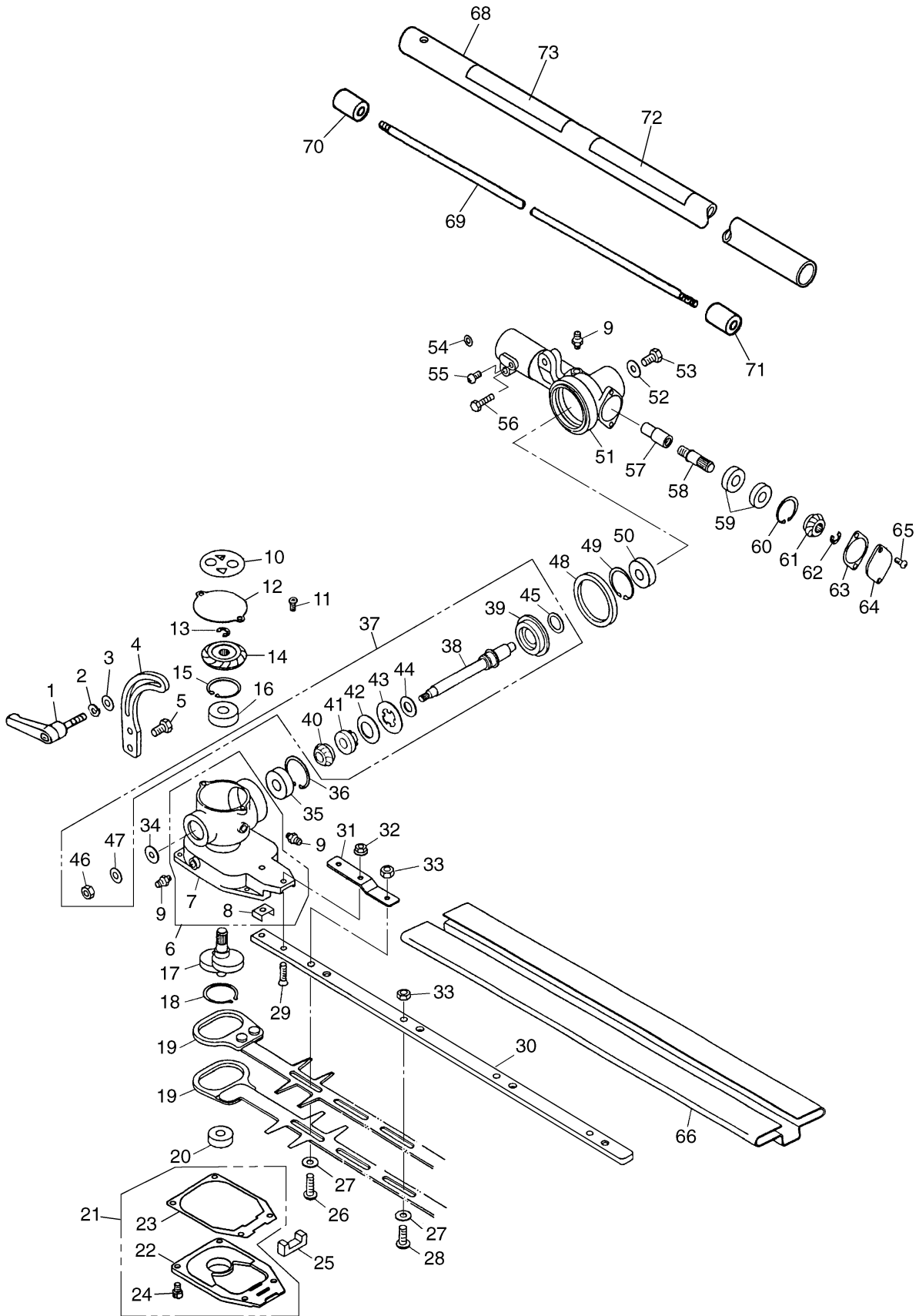




Fig.4 LRT-EX

Key#	PART NUMBER	DESCRIPTION	Q'TY /UNIT	NOTE	Key#	PART NUMBER	DESCRIPTION	Q'TY /UNIT	NOTE
1	6598-13110	LEVER, clamp	1		46	0280-10605	•NUT	1	M6
2	0290-20615	WASHER	1	M6	47	0290-20615	•WASHER	1	
3	6782-13650	WASHER	1	6x15x2.0	48	6598-13620	O-RING	1	P41
4	6782-13141	ANGLE ADJUSTER	1		49	04065-02612	SNAP RING	1	
5	0225-10612	BOLT	2	M6x12	50	06004-06000	BEARING	1	
6	6782-13200	CASING A SET	1		51	848A2Z61A1	CASING B	1	
7	—————	•CASING A	1		52	6782-13650	WASHER	1	6x15x2.0
8	6782-13220	•PLATE	1		53	0225-10612	BOLT	1	M6x12
9	3199-13350	GREASE FITTING	3		54	6782-13720	WASHER	1	5x10x1.0
10	6782-13250	LABEL	1		55	01252-30510	BOLT	1	M5x10
11	0263-10408	SCREW	2	M4x8	56	3350-21320	BOLT	1	M5x30
12	6598-13320	COVER	1		57	6782-13810	JOINT	1	
13	6598-13330	SNAP RING	1		58	6598-13820	GEAR SHAFT B	1	
14	6782-13340	BEBEL GEAR	1		59	6782-13830	BEARING	2	6900RS
15	04065-02612	SNAP RING	1		60	04065-02212	SNAP RING	1	
16	06004-06000	BEARING	1		61	6782-13850	BEVEL GEAR	1	
17	6782-13370	CRANK SHAFT	1		62	6598-13330	SNAP RING	1	
18	04064-02815	SNAP RING	1		63	6598-13860	PACKING	1	
19	6782-13411	BLADE	2		64	6598-13871	COVER	1	
20	6782-13430	BEARING	1	608Z	65	0263-10410	SCREW	2	M4x8
21	6782-06010	COVER ASS'Y	1		66	6782-13910	BLADE COVER	1	
22	6782-13441	•COVER	1						
23	6782-13470	•GASKET	1		68	T3102-12100	PIPE COMP.	1	ø24x750
24	848A2R61C0	•BOLT	4	M4x12	69	T3102-12210	SHAFT	1	755x7
25	6782-13460	FELT	1		70	6036-12241	SHAFT-JOINT	1	
26	3884-11750	SCREW	1		71	6036-12250	SPACER	1	
27	3880-11780	WASHER	4		72	8488X10020	PLATE, caution	1	
28	6598-13510	SCREW	3	L17	73	T3235-12511	PLATE, name	1	
29	6598-13530	SCREW	2	M5x20					
30	6782-13540	GUIDE PLATE	1						
31	6782-13550	PLATE	1						
32	6782-14470	NUT	2	M5					
33	3880-11790	NUT	4	M6					
34	6782-13650	WASHER	1	6x15x2.0					
35	6598-13430	BEARING	1	608 2RS					
36	04065-02212	SNAP RING	1						
37	T4008-06010	SHAFT KIT	1						
38	—————	•• SHAFT	1						
39	—————	•• GEAR(B)	1						
40	T4008-13630	•• GEAR(C)	1						
41	—————	•• BOSS	1						
42	T4008-13650	•• SPRING	1						
43	T4008-13660	•• PLATE	1						
44	T4008-13670	•• WASHER	1						
45	T4008-13680	•• WASHER	1						

Fig.5 PS-EX

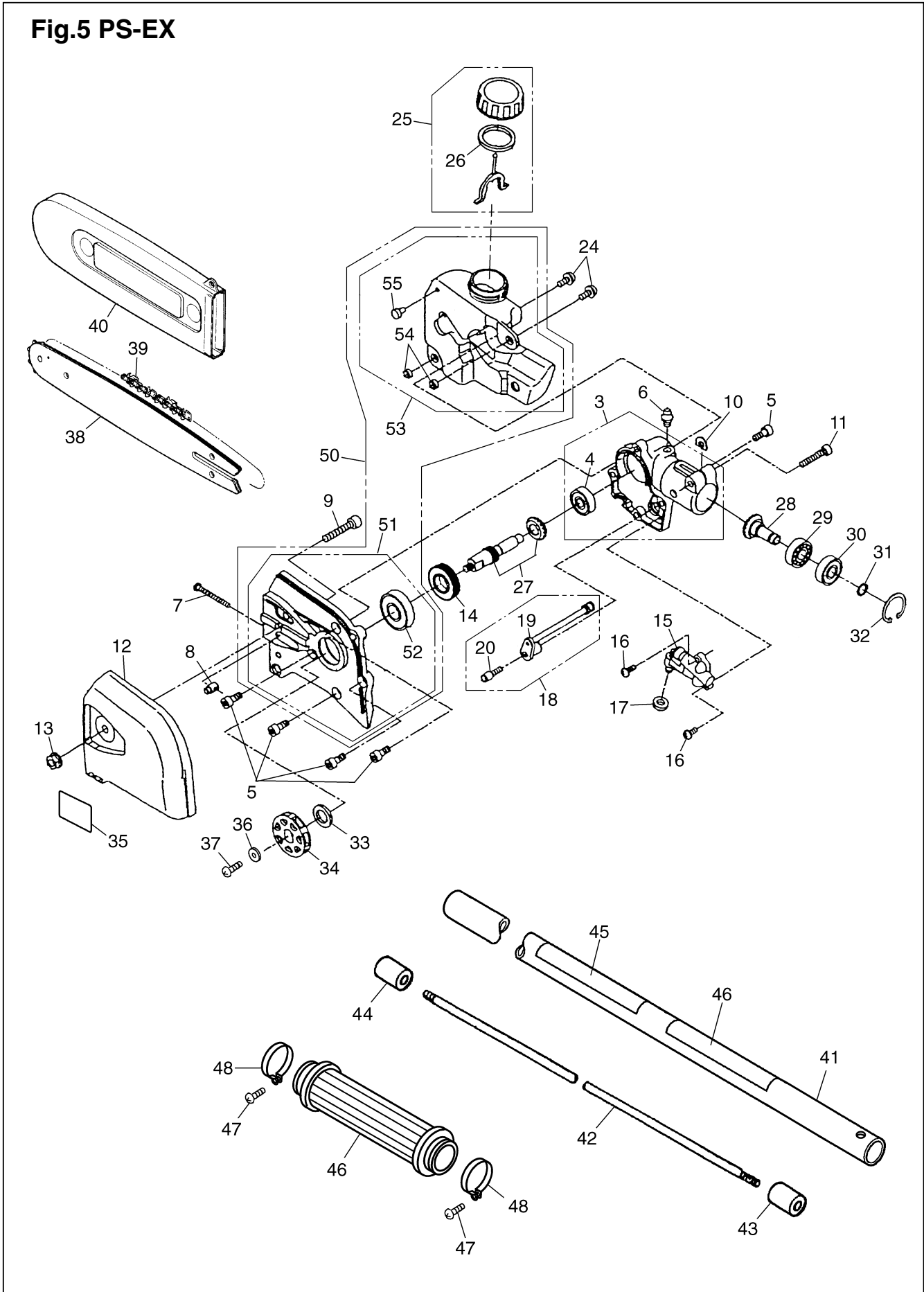


Fig.5 PS-EX

Key#	PART NUMBER	DESCRIPTION	Q'TY /UNIT	NOTE	Key#	PART NUMBER	DESCRIPTION	Q'TY /UNIT	NOTE
3	T3073-13200	GEAR CASE (R) COMP.	1		49	0260-60312	SCREW	2	
4	06002-00627	• BEARING	1		50	848A529810	CASE-L-SET	1	
5	01252-30512	BOLT	5		51	848A526211	• GEAR CASE (L) COMP.	1	
6	3199-13350	FITTING	1		52	06004-06001	•• BEARING	1	
7	T3073-13310	SCREW, tensioner	1		53	848A525511	• OIL TANK ASS'Y	1	
8	T3073-13320	NUT, tensioner	1		54	T3073-13820	•• COLLAR	2	
9	01252-30630	BOLT	1		55	T3073-13830	•• VALVE	1	
10	T3073-13250	SHIM	1						
11	3245-11350	BOLT	1						
12	T3073-13510	CHAIN COVER	1						
13	T3073-13520	NUT	1						
14	T3073-13560	WORM GEAR	1						
15	T3073-13550	OIL PUMP ASS'Y	1						
16	0263-30410	SCREW	2						
17	T3073-13580	GASKET	1						
18	T3073-13700	OIL PIPE ASS'Y	1						
19	T3073-13710	• OIL PIPE	1						
20	T3073-13720	• FILTER	1						
24	T3073-13860	SCREW	2						
25	T3073-13900	OIL CAP ASS'Y	1						
26	T3073-13920	• GASKET OIL CAP	1						
27	T3073-13370	GEAR SHAFT	1						
28	T3073-13380	BEVEL, pinion	1						
29	06000-00609	BEARING	1						
30	06002-00609	BEARING	1						
31	3210-13330	SNAP RING	1						
32	04065-02412	SNAP RING	1						
33	T3073-13530	COLLAR	1						
34	T3073-13540	SPROCKET	1						
35	T3073-13590	LABEL	1						
36	T3073-13350	WASHER	1						
37	T3073-13360	SCREW	1						
38	T3101-52121	BAR 10"	1						
39	T3073-52220-50	CHAIN (90SG-J39E)	1						
40	3622-52310	PROTECTOR	1						
41	T3102-12100	PIPE COMP.	1	ø24x1500					
42	T3102-12210	SHAFT	1	1505x7					
43	6036-12241	SHAFT-JOINT	1						
44	6036-12250	SPACER	1						
45	8488X10020	PLATE, caution	1						
46	T3236-12511	PLATE, name	1						
47	6442-11332	GRIP	1						
48	6193-11340	CLAMP	2						

Fig.6 HE-EX

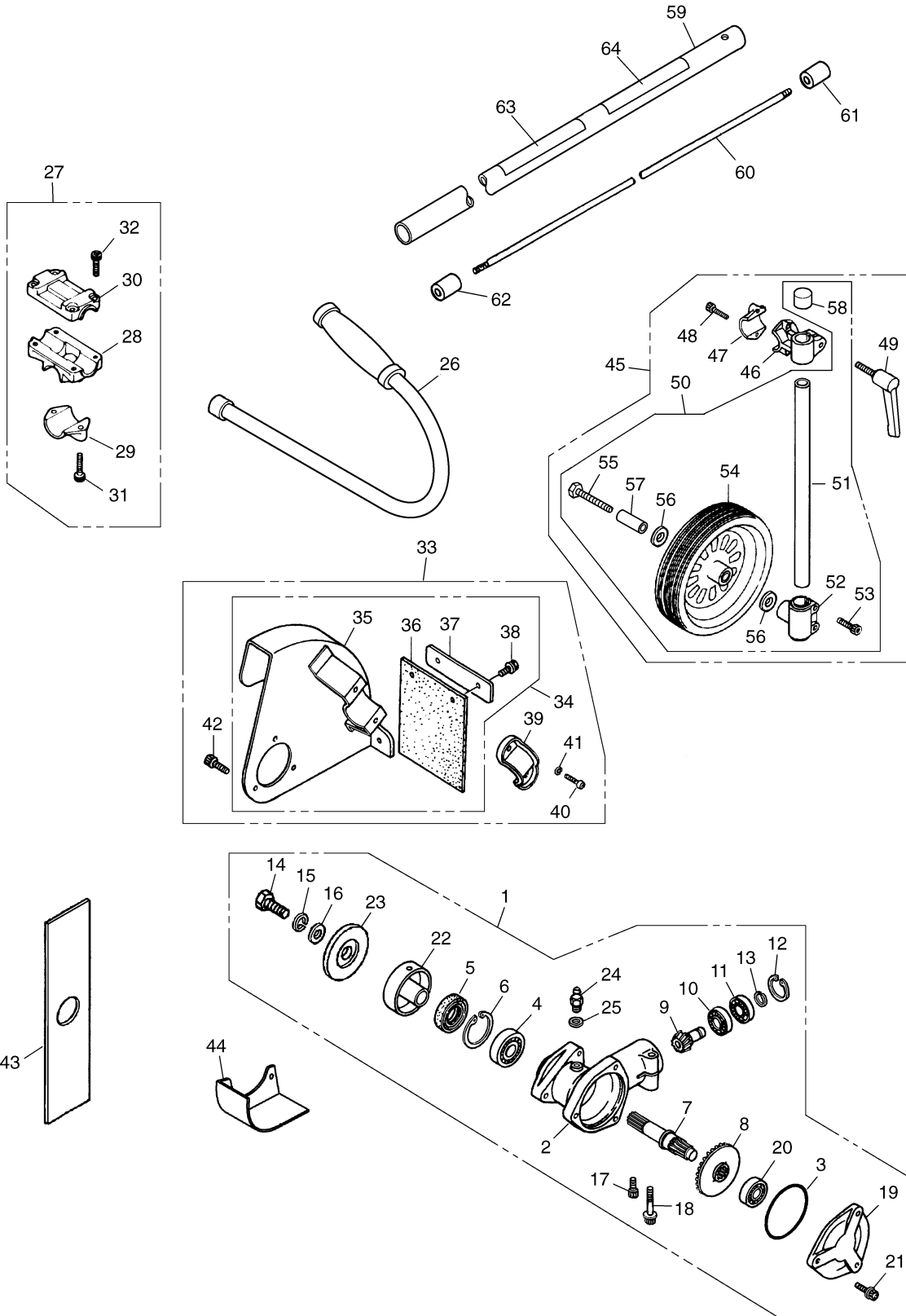
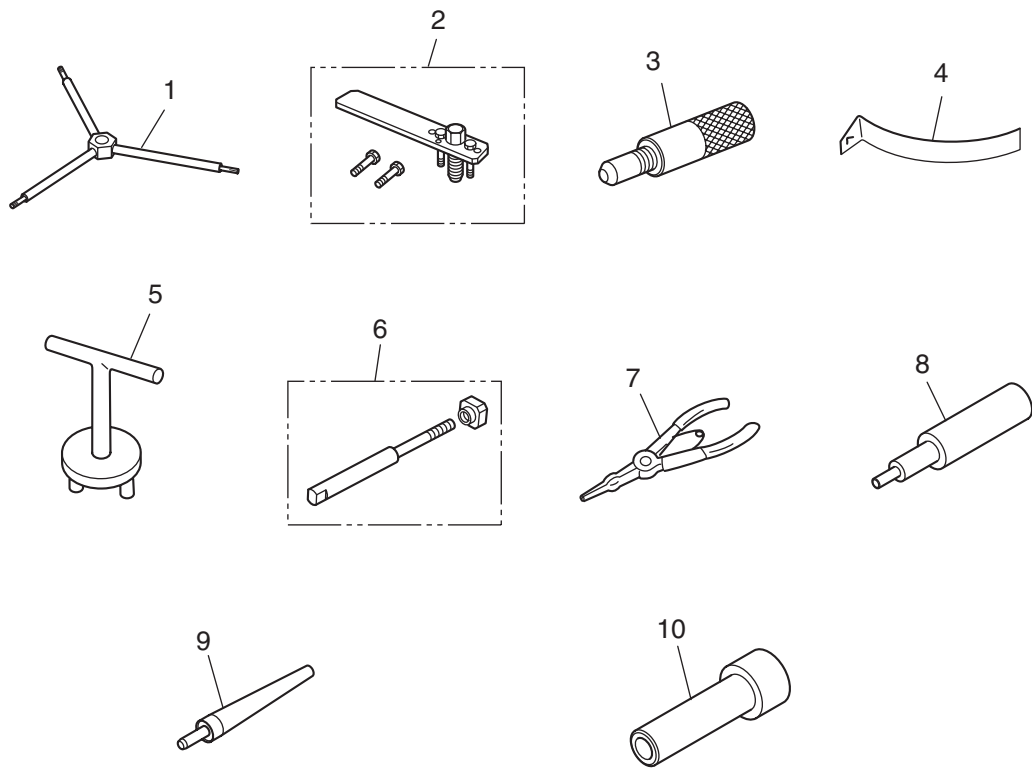


Fig.6 HE-EX

Key#	PART NUMBER	DESCRIPTION	Q'TY /UNIT	NOTE	Key#	PART NUMBER	DESCRIPTION	Q'TY /UNIT	NOTE
1	6367-13000	GEARCASE ASS'Y	1		46	6367-15230	• BRACKET	1	
2	6367-13110	• GEARCASE	1		47	3583-14121	• CAP-L	1	
3	6367-13150	• O-RING	1		48	01252-30522	• BOLT	2	
4	06000-06201	• BEARING	1		49	3956-15340	• LEVER	1	
5	3180-13141	• SEAL	1		50	T3052-25101	• WHEEL-S ASS'Y	1	
6	04065-03212	• RING	1		51	6367-15210	•• PIPE	1	
7	3541-13212	• SHAFT	1		52	3808-15230	•• BRACKET	1	
8	6367-13130	• GEAR	1		53	01252-30625	•• BOLT	2	
9	6367-13140	• PINION	1		54	T3052-25150	•• WHEEL	1	
10	06000-00609	• BEARING	1		55	01010-81055	•• BOLT	1	
11	06001-00609	• BEARING	1		56	01642-21016	•• WASHER	2	
12	04065-02412	• RING	1		57	T3052-25160	•• PIPE	1	
13	3210-13330	• RING	1		58	T3052-15250	•• CAP	1	
14	3579-33260	• BOLT	1		59	T3105-12100	PIPE COMP., $\varnothing 24 \times 750$	1	
15	3310-43210	• WASHER	1		60	T3102-12210	SHAFT, 755x7	1	
16	01643-30823	• WASHER	1		61	6036-12241	SHAFT-JOINT	1	
17	01252-30512	• BOLT	1		62	6036-12250	SPACER	1	
18	3540-13260	• BOLT	1		63	8488X10020	PLATE, caution	1	
19	6367-13120	• COVER	1		64	T3237-12511	PLATE, name	1	
20	06000-06000	• BEARING	1						
21	3350-31470	• BOLT	3						
22	3541-13241	• HOLDER (A)	1						
23	3541-13251	• HOLDER (B)	1						
24	3199-13350	• FITTING	1						
25	01641-20608	• WASHER	1						
26	6367-14200	HANDLE COMP.	1						
27	3583-14101	BRACKET ASS'Y	1						
28	3583-14111	• BRACKET	1						
29	3583-14121	• CAP-L	1						
30	3257-14192	• CAP-U	1						
31	01252-30522	• BOLT	2						
32	01252-30525	• BOLT	4						
33	6367-24001	GUARD ASS'Y	1						
34	6367-24101	• GUARD COMP.	1						
35	6367-24111	•• GUARD	1						
36	6367-24120	•• PLATE	1						
37	6367-24131	•• PLATE	1						
38	0225-30512	•• BOLT	2						
39	5807-24120	• CLAMP	1						
40	01252-30618	• BOLT	2						
41	0290-20615	• WASHER	2						
42	3350-31470	• BOLT	3						
43	6367-15110	BLADE	1						
44	T3052-13610	COVER	1						
45	T3052-25001	WHEEL ASS'Y	1						

**Fig.7 SPECIAL TOOLS**



Key#	PART NUMBER	DESCRIPTION	Q'TY /UNIT	NOTE
1	3304-97611	HEXAGON WRENCH	1	suitable for M4, M5, M6 BOLT
2	2890-96100	PULLER ASS'Y	1	for remove ROTOR
3	4810-96220	STOPPER	1	for look the moving of PISTON
4	3350-96240	GAUGE	1	for adjust AIR-GAP
5	4500-96100	PULLER	1	for attach and remove RECOIL PULLEY
6	1101-96220	ROD ASS'Y	1	for attach and remove PISTON PIN
7	5500-96110	PLIERS	1	long-nose plier ; use for SNAP RING
8	5500-96120	ROD	1	for push out CLUTCH DRUM
9	5500-96130	GUIDE, ring	1	for fit SNAP RING on CLUTCH DRUM
10	5500-96140	GUIDE, push	1	for fit SNAP RING on CLUTCH DRUM

## Free Manuals Download Website

<http://myh66.com>

<http://usermanuals.us>

<http://www.somanuals.com>

<http://www.4manuals.cc>

<http://www.manual-lib.com>

<http://www.404manual.com>

<http://www.luxmanual.com>

<http://aubethermostatmanual.com>

Golf course search by state

<http://golfingnear.com>

Email search by domain

<http://emailbydomain.com>

Auto manuals search

<http://auto.somanuals.com>

TV manuals search

<http://tv.somanuals.com>