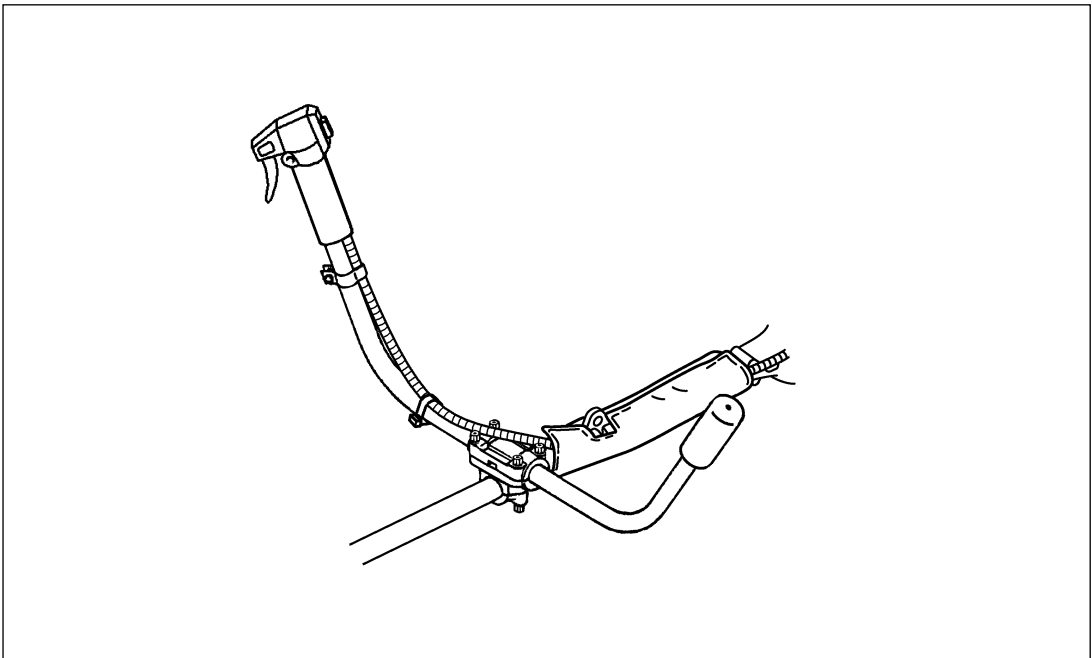




INSTALLATION MANUAL

BRUSHCUTTERS

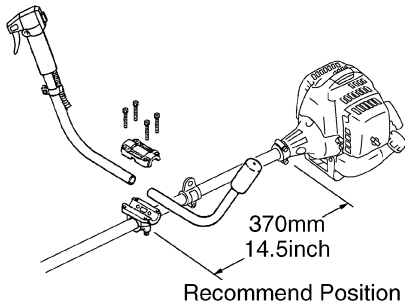
W-HANDLE KIT



Manual For W-HANDLE Kit

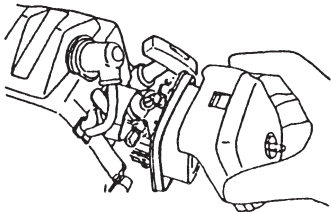
1

Mount the handle to the shaft tube and clamp it at your best operating position.

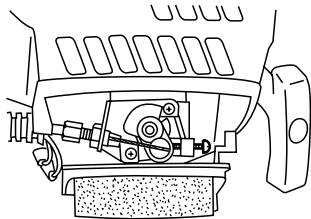


2 CONNECTING THROTTLE WIRE TO THE CARBURETOR

1. Remove the air cleaner cover.

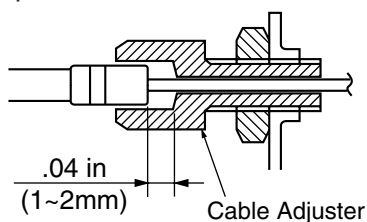


2. Connect the end of the throttle wire to the joint on the top of the carburetor.



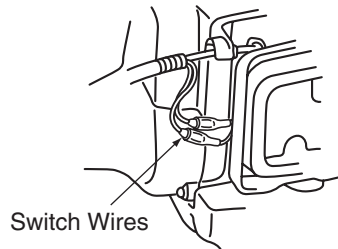
ADJUSTING THROTTLE CABLE

• The normal play is 1 or 2mm when measured at the carburetor side end. Readjust with the cable adjuster as required.



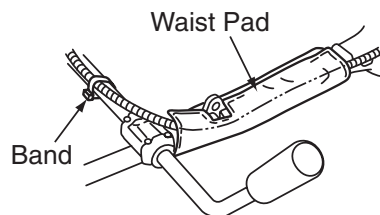
3 CONNECTING SWITCH WIRES

- Connect the switch wires between the engine and the main unit. Pair the wires of the same color

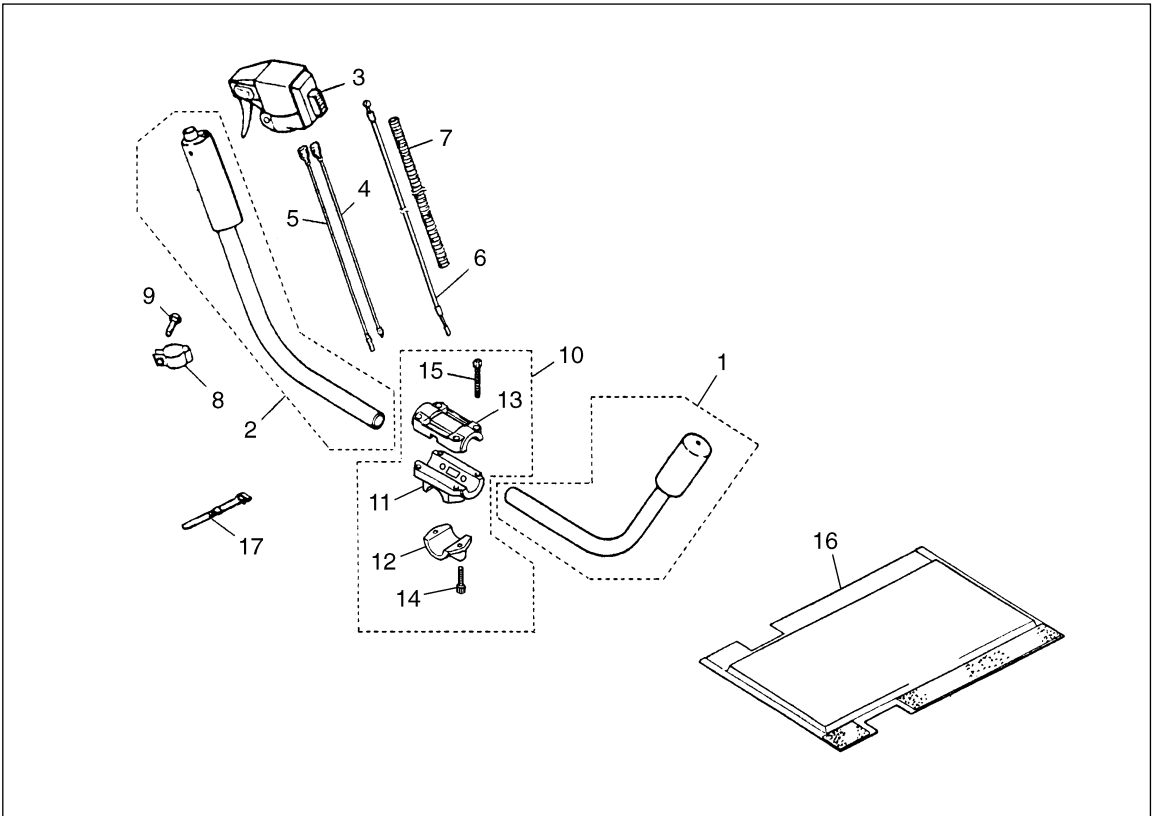


4 PUTTING ON WAIST PAD

- Wrap the waist pad around the shaft tube and the throttle wire.



Parts List



Key#	Description	Part Number	Q'ty	Key#	Description	Part Number	Q'ty
1	HANDLE-L-COMP	T3040-14200	1				
2	HANDLE-R-COMP	T3002-95400	1				
3	LEVER-ASSY	6234-14601	1				
4	CORD(A) BLACK	T3002-95710	1				
5	CORD(B) RED	T3002-95720	1				
6	CABLE-COMP	T3040-83100	1				
7	TUBE	5512-73220	1				
8	CLAMP	3260-14251	1				
9	SCREW	0260-00516	1				
10	BRACKET-ASSY	3583-14101	1				
11	• BRACKET	3583-14111	1				
12	• CAP-L	3583-14121	1				
13	• CAP-U	3257-14192	1				
14	• BOLT	01252-30522	2				
15	• BOLT	01252-30525	4				
16	PROTECTOR	848-B81-38A1	1				
17	BAND	3540-93120	1				



ZENOAH AMERICA, INC.
1100 Laval Blvd. Suite 110
Lawrenceville, Georgia 30043

© Printed in Japan

Free Manuals Download Website

<http://myh66.com>

<http://usermanuals.us>

<http://www.somanuals.com>

<http://www.4manuals.cc>

<http://www.manual-lib.com>

<http://www.404manual.com>

<http://www.luxmanual.com>

<http://aubethermostatmanual.com>

Golf course search by state

<http://golfingnear.com>

Email search by domain

<http://emailbydomain.com>

Auto manuals search

<http://auto.somanuals.com>

TV manuals search

<http://tv.somanuals.com>