



# SERVICE PARTS LIST

**CHAINSAW**

**EFFECTIVE: NOV. 2007**

**G3800**

**G3800EZ**

**CA38022**  
**CA38028** for Korea, Taiwan

**NOTE :**

1. Use ZENOAH genuine parts specified in the parts list for repair and/or replacement.
2. ZENOAH does not warrant the machines, those which have been damaged by the use of any parts other than those specified by the company.
3. When placing orders of parts for repair and/or replacement, check if the model name and the serial number are suitable to those specified in the parts list, then use parts number described in the parts list.
4. The contents described in the parts list may change due to improvement.
5. The parts for the machine shall be supplied within ten (10) years after the machine is discontinued.  
[It is possible that some specific parts may be subject to change of their delivery term and list price within the limit of ten (10) years after the machine is discontinued. And it is also possible that some parts may be available even after the limit of ten (10) years.]

**SERIAL NUMBERS APPLICABLE:**

**G3800 : 554368 ~**  
**G3800EZ : 500000 ~**



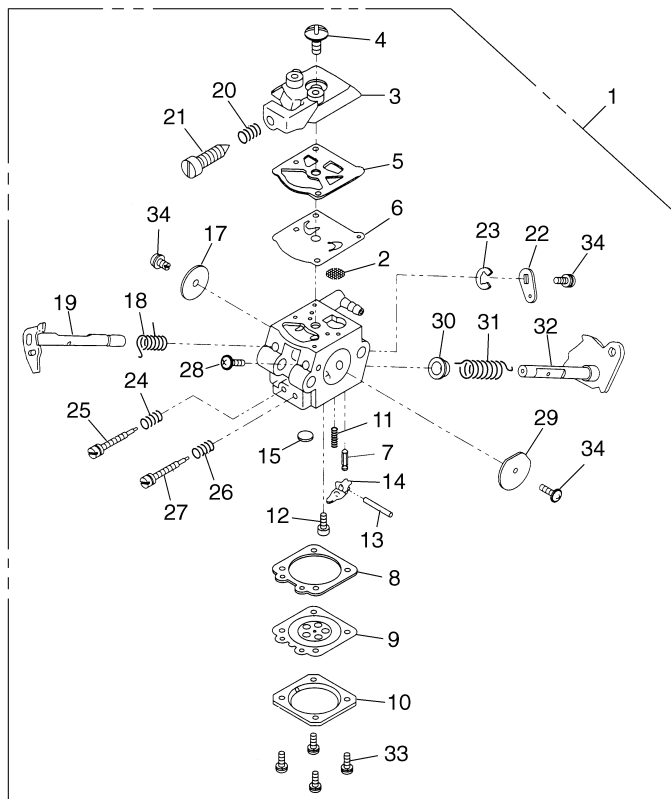
Fig. 1 POWER UNIT

Key#	PART NUMBER	DESCRIPTION	Q'TY /UNIT	NOTE	Key#	PART NUMBER	DESCRIPTION	Q'TY /UNIT	NOTE
1	2898-12111	Cylinder	1		46	2841-83320	• Knob	1	
2	2867-14110	Insulator	1		47	848C306732	Pipe in comp.	1	
3	2850-14123	Gasket, inlet	1		48	T2100-23200	Filter comp.	1	
4	3330-14121	Gasket, carb	1		49	2851-51111	Clutch drum	1	
5	2850-14212	Gasket, cylinder	1		50	3310-51310	Bearing	1	
6	4820-13180	Bolt	4		51	848C405121	Clutch ass'y	1	
7	T2100-15112	Muffler	1		52	2870-51230	• Spring	1	
8	T2100-15311	Stay	1		54	2850-51211	Plate	1	
9	T2100-15210	Gasket, muffler	1		56	848CA20640	Oil pump set	1	
10	T2100-15220	Bolt, muffler	2				• Oil pump	1	
11	2850-15230	Nut, muffler M5	2				• Worm	1	
12	2670-14320	Screw	1		59	T2100-55610	Cover, pump	1	
13	848C402102	Crankcase ass'y	1		60	2670-55410	Screw	4	
14	84889C3200	• Bearing	2		61	2850-55211	Washer	1	
15	04065-03212	• Snap ring	1		62	5500-72130	Grommet	1	
16	2169-21210	• Seal	1		63	T2100-71100	Roter comp.	1	
17	8488AC3210	• Oil seal	1		64	1650-43230	Nut	1	
18	2616-21230	• Stud	2		65	T2100-71200	Coil comp.	1	
19	T2100-21310	• Gasket, case	1		66	T2100-71220	• Cord	1	
20	4820-21310	Bolt	4		67	2616-71320	• Cap	1	
21	T2100-21400	Pipe out comp.	1		68	2670-55410	Screw	2	
22	848C3066F2	Chain catcher	1		69	3699-90032-10	Spark plug	1	RCJ-7Y
23	2850-25220	Screw	1		70	2850-72110	Cap	1	
24	T2100-53220	Nut tensioner	1		71	1400-72121	Spring	1	
25	T2100-53210	Screw	1		72	T2107-31610	LABEL	1	
26	2850-25411	Plate (A)	1						
27	2670-25430	Screw	1						
28	T2100-41110	Piston	1						
29	T2100-41210	Ring	1						
30	2850-41310	Piston pin	1						
31	1300-41320	Snap ring	2						
32	T2100-41410	Bearing	1						
33	2850-41510	Washer	2						
34	T2100-42000	Shaft comp.	1						
35	T2100-31100	Cover comp.	1						
36	2856-31120	• Cap	1						
37	2810-83410	• Grommet	1						
38	8488251911	Screw	4						
39a	T2101-31610	Label	1	G3800					
39b	848C4890F0	Label	1	G3800EZ					
40	2850-82411	Rod	1						
41	T2100-82420	Grommet, choke	1						
42	2867-82320	Grommet	1						
43	T2100-82520	Grommet, throttle	1						
44	2850-83100	Air cleaner comp.	1						
45	2850-83303	Cleaner cover comp.	1						

Fig. 2 POWER UNIT

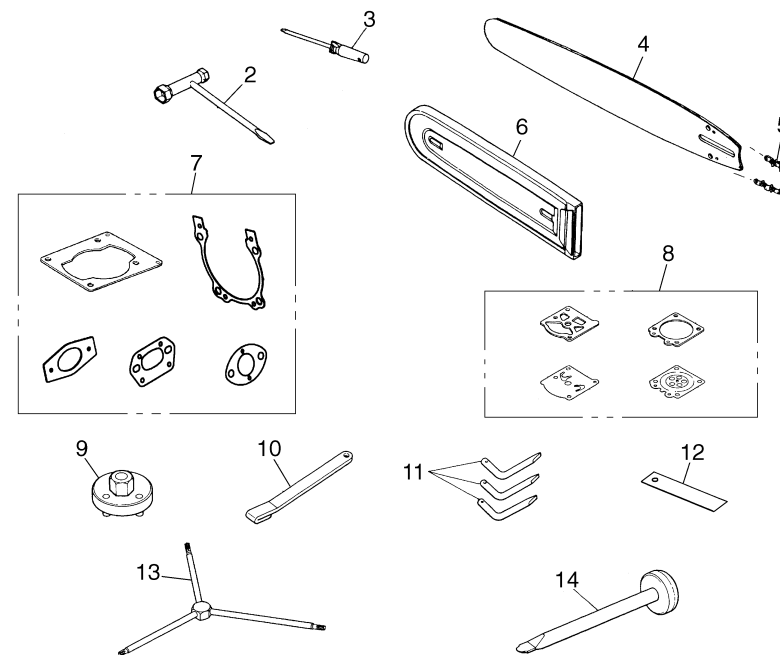
Key#	PART NUMBER	DESCRIPTION	Q'TY /UNIT	NOTE	Key#	PART NUMBER	DESCRIPTION	Q'TY /UNIT	NOTE
1	T2100-32110	Left handle	1		47	2850-54626	• Spring cover	1	
2	8488252711	Screw	4		48	2670-54630	• Screw	4	
3	T2100-33000	Right handle ass'y	1		49	2850-53250	• PLATE	1	
4	2850-33313	• Throttle lever	1		50a	T2100-53150	Label	1	G3800
5	3356-33321	• Throttle spring	1		50b	848C4890B0	Label	1	G3800EZ
6	04025-00524	• Spring pin	1		51	3350-53410	Nut	2	
7	2670-34401	Tank cap ass'y	1		52	T2100-75610	Fan cover	1	
8	2670-34430	• Gasket	1		61	T2100-75000	Starter ass'y	1	G3800
9	2877-31800	Cap ass'y	1		62	T2100-75210	• Reel	1	G3800
10	2841-31820	• Gasket	1		63	2850-75301	• Spring	1	G3800
11	2850-34111	Grip cover	1		64	3317-75410	• Rope	1	G3800
12	848C3033E3	Arm	1		65	3330-75421	• Knob	1	G3800
13	8488252711	Screw	1		66	1850-75151	• Screw	1	G3800
14	2850-74102	Switch ass'y	1		71	848C487500	Starter ass'y	1	G3800EZ
15	T2100-71510	Cord, switch	1		72	T2026-75200	• Reel	1	G3800EZ
16	T2100-74210	Cord	1		73	2850-75301	• Spring	1	G3800EZ
17	2850-34501	Breather ass'y	1		74	T2117-75410	• Rope	1	G3800EZ
18	3317-85120	Grommet	1		75	1400-75170	• Knob	1	G3800EZ
19	T2100-82512	Throttle rod	1		76	3407-23610	• Screw	1	G3800EZ
20	T2100-31500	Pipe comp.	1		77	T2026-75510	• Pulley	1	G3800EZ
21	T2100-34301	Pipe ass'y	1		81	8488251911	Screw	3	
22	2850-34311	• Fuel pipe	1		82	T2100-75130	Label	1	G3800
23	2851-34321	• Grommet	1		83	848C4890C0	Label	1	G3800EZ
24	1850-85300	• Filter ass'y	1		84	T2100-35110	Spring front	1	
25	1260-85460	• Clip	1		85	2670-14320	Screw	1	
26	2851-33510	Cap	1		86	T2100-81001	Carburetor ass'y	1	
27	T2100-25111	Engine case	1		87	2850-82114	Manifold	1	
28	2670-14320	Screw	4		88	2867-82210	Bolt	2	
29	T2100-35200	Damper comp.	1		89	8488251911	Screw	1	
30	2616-35141	Damper	1		90	T2102-35160	Plate	1	
31	8488251601	Screw	2						
32	2856-35180	Cap	1						
33	2880-35250	Cap	1						
34	8488251911	Screw	1						
35	T2100-35150	Spring rear	1						
36	8488251901	Screw	2						
38	848C435301	Chain cover ass'y	1						
39	848C6054A2	• Front guard	1						
40	2850-54120	• Return spring	1						
41	2850-54130	• Screw	1						
42	2850-54140	• Spacer	1						
43	2850-54211	• Spacer	1						
44	2850-54252	• Stopper	1						
45	3330-75411	• Washer	1						
46	3310-53331	• Nut (B)	1						

Fig. 3 CARBURETOR COMPONENTS



Key#	PART NUMBER	DESCRIPTION	Q'TY /UNIT	Key#	PART NUMBER	DESCRIPTION	Q'TY /UNIT
1	T2100-81001	Carburetor ass'y	1	19	2850-81371	• Throttle shaft	1
2	3306-81380	• Screen	1	20	3350-81380	• Spring	1
3	2850-81120	• Pump cover	1	21	2630-81330	• Idle screw	1
4	3310-81130	• Screw	1	22	2670-81440	• Throttle lever	1
5	3304-81140	• Gasket,pump	1	23	1148-81390	• Ring	1
6	1172-81150	• Diaphragm,pump	1	24	1491-81160	• L needle spring	1
7	3356-81310	• Valve	1	25	2850-81170	• L needle	1
8	2850-81290	• Gasket	1	26	3080-81320	• H needle spring	1
9	3310-81260	• Diaphragm	1	27	T2104-81330	• H needle	1
10	3310-81280	• Cover	1	28	2850-81190	• Screw	1
11	2867-81270	• Spring	1	29	2841-81450	• Choke valve	1
12	3310-81240	• Screw M lever pin	1	30	2850-81430	• Bush	1
13	3310-81250	• Pin, lever	1	31	2850-81350	• Choke spring	1
14	3310-81230	• Lever	1	32	2850-81461	• Choke shaft	1
15	1480-81420	• Plug	1	33	3310-81351	• Screw	4
17	3356-81340	• Throttle valve	1	34	2880-81470	• Screw, valve	3
18	2670-81410	• Throttle spring	1				

Fig. 4 ACCESSORIES



Key#	PART NUMBER	DESCRIPTION	Q'TY /UNIT	NOTE
2	3320-91140	Plug 13x19	1	
3	2670-91150	Driver	1	
4	2939-52110-50	Sprocket nose bar 16"	1	
5	2939-52210-50	Chain for 16" bar	1	(95VP-66E)
6	3356-97110	Protector for 16" bar	1	
7	T2100-06010	Gasket kit	1	(OP)
8	T2100-06020	Gasket kit	1	(OP)
9	2670-96210	Wrench (for clutch)	1	(OP)
10	2670-96220	Stopper (for piston)	1	(OP)
11	2670-96240	Wrench (for clutch ASS'Y)	3	(OP)
12	3330-97310	Gauge (for air gap)	1	(OP)
13	2850-96410	Wrench (T20xT25xT27)	1	(OP)
14	2670-96510	Guide (for break spring)	1	(OP)

## Free Manuals Download Website

<http://myh66.com>

<http://usermanuals.us>

<http://www.somanuals.com>

<http://www.4manuals.cc>

<http://www.manual-lib.com>

<http://www.404manual.com>

<http://www.luxmanual.com>

<http://aubethermostatmanual.com>

Golf course search by state

<http://golfingnear.com>

Email search by domain

<http://emailbydomain.com>

Auto manuals search

<http://auto.somanuals.com>

TV manuals search

<http://tv.somanuals.com>