



**KOMATSU  
ZENOAH**

SEP. 1985

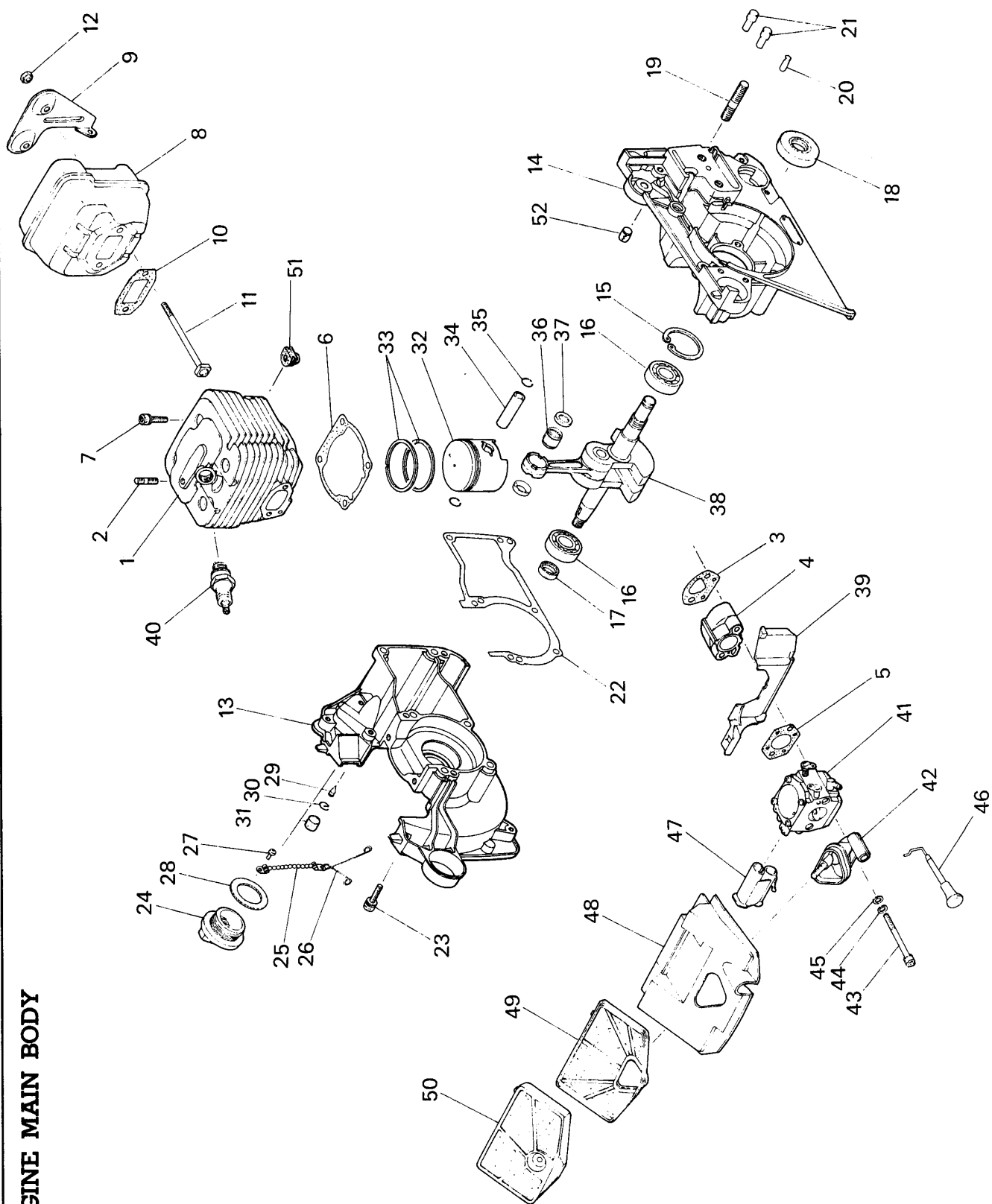
# **PARTS LIST**

**CHAIN SAWS**

**G560AVS**

**G560AVSH**

Fig. 1 ENGINE MAIN BODY

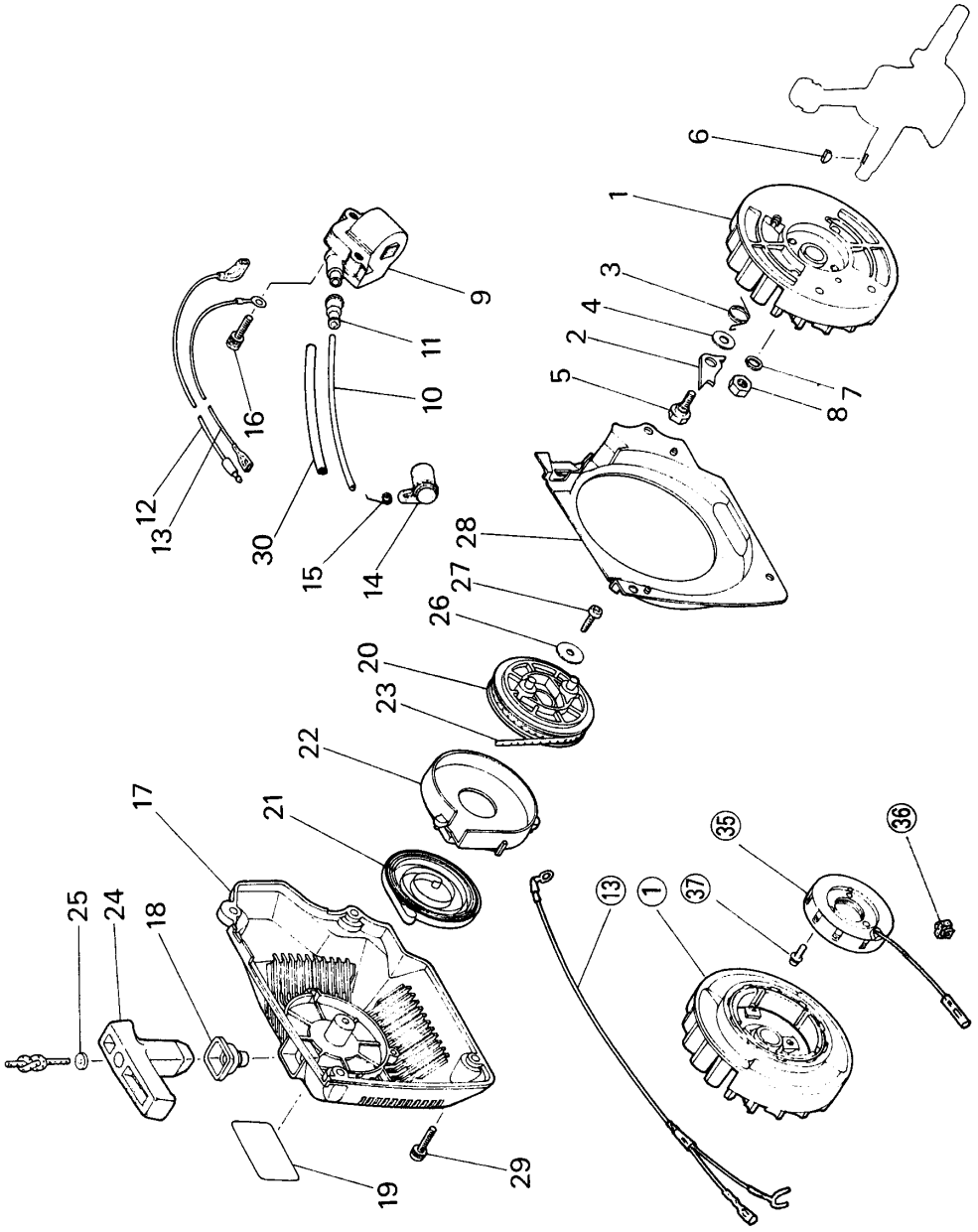


**Fig. 1 ENGINE MAIN BODY**

**G560AVS**

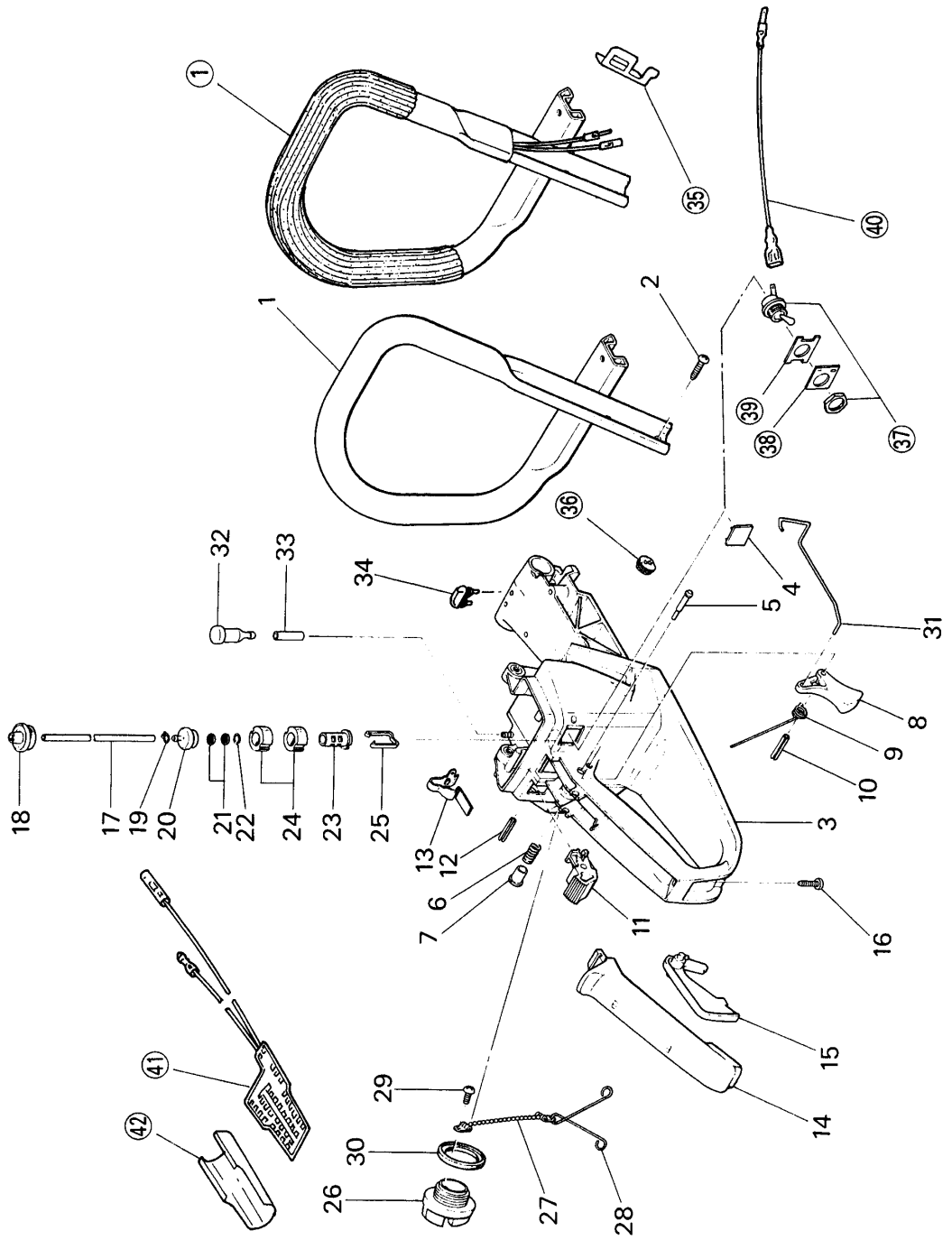
Key No.	Parts Number	Description	Q'ty	Rank	Remarks	Key No.	Parts Number	Description	Q'ty	Rank	Remarks
1- 1	3356-12103	CYLINDER COMP	1	••	K-6	-24	☆	• CAP, tank	1		☆3356-26100
- 2	☆	• CYLINDER	1		☆3356-12103	1-25	☆	• CHAIN, tank cap	1		☆3356-26100
-51	3356-12120	• STUD	1	•		-26	☆	• STOPPER	1		☆3356-26100
- 3	3356-12140	• GROMMET	1	•		-27	☆	• SCREW	1		☆3356-26100
- 4	3356-14110	GASKET, insulator	1	•••	K-1	-28	3317-57220	• GASKET	1	•••	
- 5	3356-14120	INSULATOR	1	•••	K-1	-29	3330-23121	VALVE	1	••	□3310-57120
- 6	3356-14130	GASKET, carburetor	1	•••	K-1	-30	3350-26230	CLIP	1	••	
- 7	3356-14210	GASKET, cylinder base	1	•••	K-1, K-6	-31	3350-26220	SEAL, breather	1	•••	
- 8	3310-12280	BOLT	4	•	K-6, M5 × 20 l	-32	3356-41112	PISTON	1	•••	K-6
- 9	3356-15102	MUFFLER ASSY	1	•		-33	3356-41210	RING, piston	2	•••	K-6
- 10	3356-15110	• MUFFLER	1	•		-34	3360-41310	PIN, piston	1	••	K-6
- 11	3356-15122	• STAY	1	•		-35	3350-41320	RING, snap	2	•••	K-6 □3350-41410
- 12	3356-15210	GASKET, muffler	1	•••	K-1	-36	1400-41410	BEARING, needle	1	••	K-6
- 13	3356-15220	BOLT	2	••		-37	3356-41510	WASHER, thrust	2	•	K-6
- 14	3356-15230	NUT	2	••		-38	3356-42002	CRANKSHAFT COMP	1	•	K-6
-52	3356-21002	CRANKCASE ASSY	1	•	K-6	-39	3356-31211	SEAL, cylinder cover	1	•	
-13	☆	• CASE, magneto	1		☆3356-21002	-40	3356-73110	PLUG	1	•••	CHAMPION CJ-7Y
-14	☆	• CASE PTO	1		☆3356-21002	-41	3356-81002	CARBURETOR ASSY	1	•	WALBRO HDA
-52	3356-21130	• PIN	3	•		-42	3356-82111	MANIFOLD	1	•	
-15	04065-03515	• RING, snap	1	•		-43	3356-82210	BOLT	2	•	M5 × 80 l
-16	06030-06202	• BEARING	2	•		-44	01601-20513	WASHER	2	•	
-17	3350-21210	• SEAL, oil	1	•••		-45	01641-20508	WASHER	2	•	
-18	1400-21220	• SEAL, oil	1	•••		-46	3350-82310	ROD, choke	1	•	
-19	0250-50825	• STUD	2	••		-47	3356-82320	GUIDE, adjuster	1	••	
-20	3350-21250	• PIN, spring	1	•		-48	3356-83210	SILENCER	1	••	
-21	3356-21270	• PIN, arm	2	•			3356-83102	AIR CLEANER COMP	1	•••	
-22	3356-21310	• GASKET, crankcase	1	•••	K-1	-49	☆	• CLEANER, lower	1		☆3356-83102
-23	3310-12280	BOLT	6	•	K-6, M5 × 20 l	-50	☆	• CLEANER, upper	1		☆3356-83102
	3356-26100	CAP ASSY	1	•••							

Fig. 2 IGNITION SYSTEM STARTER



Key No.	Parts Number	Description	Q'ty	Rank	Remarks	Key No.	Parts Number	Description	Q'ty	Rank	Remarks
2- 1	3356-71102	ROTOR COMP	1	•			3356-75300	• SPRING COMP	1	•••	
	2614-71100	ROTOR COMP	1	•	(FOR AVSH MODEL)	2-21	☆	• SPRING, spiral	1	•	☆3356-75300
	3356-71112	• ROTOR	1	•	K-4	-22	☆	• HOLDER, spring	1	•	☆3356-75300
- ①	2614-71110	• ROTOR	1	•	(K-4) (FOR AVSH MODEL)	-23	3356-75410	• ROPE	1	•••	
- 2	3320-71120	• RATCHET	2	••		-24	3350-75420	• KNOB, starter	1	••	
- 3	3350-71130	• SPRING	2	••		-25	3310-75431	• WASHER	1	•	
- 4	3388-71150	• WASHER	2	•		-26	3320-75350	• WASHER	1	•	
- 5	3310-71142	• BOLT	2	•		-27	1490-32120	• SCREW	1	•	5 × 14 <i>l</i>
- 6	1000-43240	KEY	1	••		-28	3356-75610	COVER	1	•	
- 7	0290-20820	WASHER	1	•		-29	0263-90520	SCREW	3	•	M5 × 20 <i>l</i>
- 8	3350-43230	NUT	1	•		-30	3356-71510	TUBE	1	••	
	3356-71202	COIL COMP	1	••	K-4						
- 9	☆	• COIL, ignition	1	•	☆3356-71202	- ⑤	2614-71410	COIL, heater	1	•	(FOR AVSH MODEL)
-10	3356-71222	• CORD	1	•••		- ⑥	2614-71610	GROMMET	1	•	(FOR AVSH MODEL)
-11	3302-71230	• GROMMET	1	•		- ⑦	0263-30414	SCREW	3	•	(FOR AVSH MODEL)
-12	3356-71311	CORD, switch	1	••	K-4						
-13	3356-71321	CORD, earth	1	••	K-4						
- ⑬	2614-71320	CORD, earth	1	••	(K-4) (FOR AVSH MODEL)						
-14	3350-71220	CAP, plug	1	••							
-15	3350-71230	SPRING, plug cap	1	••							
-16	3310-12280	BOLT	2	•	M5 × 20 <i>l</i>						
	3356-75001	STARTER ASSY	1	•							
	3356-75101	• RECOIL CASE COMP	1	•							
-17	☆	• CASE, recoil	1	•	☆3356-75101						
-18	3356-75121	• GUIDE, rope	1	••							
-19	3356-75130	• LABEL	1	••							
-20	3350-75210	• REEL, recoil starter	1	••							

Fig. 3 HANDLE FUEL TANK

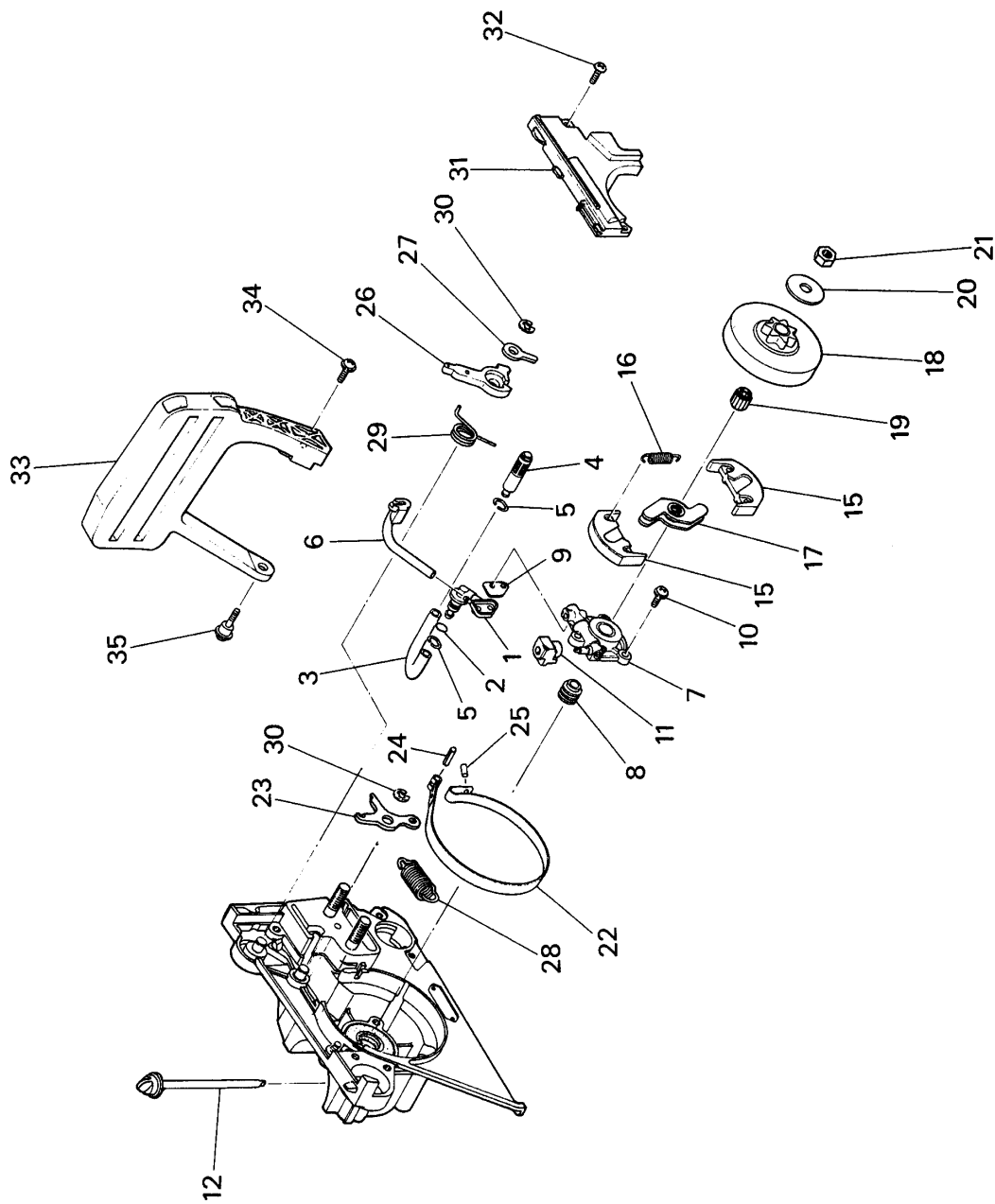


**Fig. 3 HANDLE FUEL TANK**

**G560AVS**

Key No.	Parts Number	Description	Q'ty	Rank	Remarks	Key No.	Parts Number	Description	Q'ty	Rank	Remarks
3- 1	3356-32112	HANDLE, left	1	••	(AV, AVS MODEL)	-23	☆	• SLEEVE	1	••	☆3302-85400
- ①	2614-32100	HANDLE, COMP, left	1	••	(FOR AVSH MODEL)	-24	☆	• FILTER	2	••	☆3302-85400
- 2	3356-32210	SCREW	4	•	5×20ℓ	-25	☆	• CLIP	1	••	☆3302-85400
- 3	3356-33002	HANDLE ASSY, right	1	•		3-26	3350-34400	CAP, fuel tank ASSY	1	•••	☆3350-34400
- 4	2614-33000	HANDLE ASSY, right	1	•	(FOR AVSH MODEL)	-27	☆	• CAP, fuel tank	1	••	☆3350-34400
- 5	3356-33101	• HANDLE COMP, right	1	•		-28	☆	• CHAIN, tank cap	1	••	☆3350-34400
- 6	3350-33220	• PLATE	1	•	(AV, AVS MDEL)	-29	☆	• STOPPER	1	••	☆3350-34400
- 7	3330-33250	• STOPPER	1	•		-30	☆	• SCREW	1	••	☆3350-34400
- 8	3310-33262	• SPRING	1	•		-31	3350-34450	• GASKET	1	•••	
- 9	3310-33271	• KNOB	1	•			3356-82411	ROD, throttle	1	•	
-10	3356-33280	• DAMPER A	1	••		-32	3350-34500	BREATHER ASSY	1	••	
-11	3356-33311	• LEVER, throttle	1	••		-33	3317-86100	• BREATHER ASSY	1	•	
-12	3356-33321	• SPRING, throttle	1	••			3350-34540	• PIPE	1	••	
-13	04025-00524	• PIN	1	•							
-14	3350-34210	LEVER, switch	1	•		⑤	2614-32220	CLAMP, cord	1	••	(FOR AVSH MODEL)
-15	3350-34230	PIN	1	•		⑥	3350-34651	GROMMET	1	•	(FOR AVSH MODEL)
-16	3356-34221	SPRING, switch	1	•		⑦	3354-34810	SWITCH ASSY	1	••	(FOR AVSH MODEL)
-17	3356-34111	COVER, grip	1	•		⑧	3354-34830	PLATE, switch	1	•	(FOR AVSH MODEL)
-18	3356-33350	ARM	1	••		⑨	3354-34840	PLATE	1	•	(FOR AVSH MODEL)
-19	3356-32210	SCREW	1	•	5×20ℓ	⑩	2614-34850	CORD	1	••	(FOR AVSH MODEL)
-20	3356-34301	FUEL PIPE ASSY	1	••		⑪	2614-34910	HEATER, rear	1	••	(FOR AVSH MODEL)
-21	3356-34310	• PIPE	1	••		⑫	2614-34920	PLATE	1	•	(FOR AVSH MODEL)
-22	3356-34320	• GROMMET	1	••							
-23	1260-85460	• CLIP	1	••							
-24	3302-85400	• FILTER ASSY	1	•••							
-25	☆	• BODY, filter	1	•	☆3302-85400						
-26	☆	• SCREEN	2	•	☆3302-85400						
-27	☆	• RING	1	•	☆3302-85400						

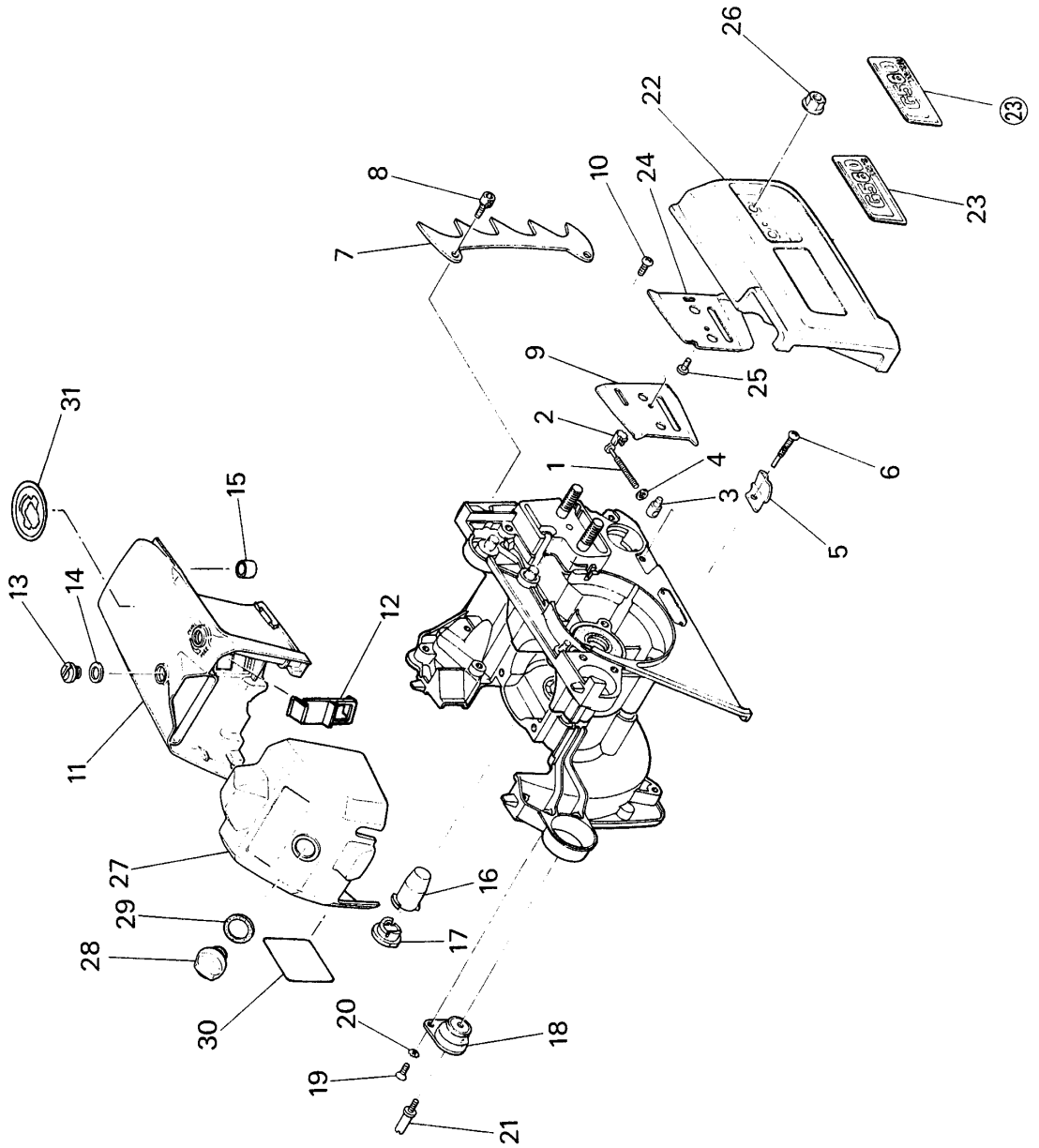
Fig. 4 OIL FEED · CLUTCH · BRAKE SYSTEM





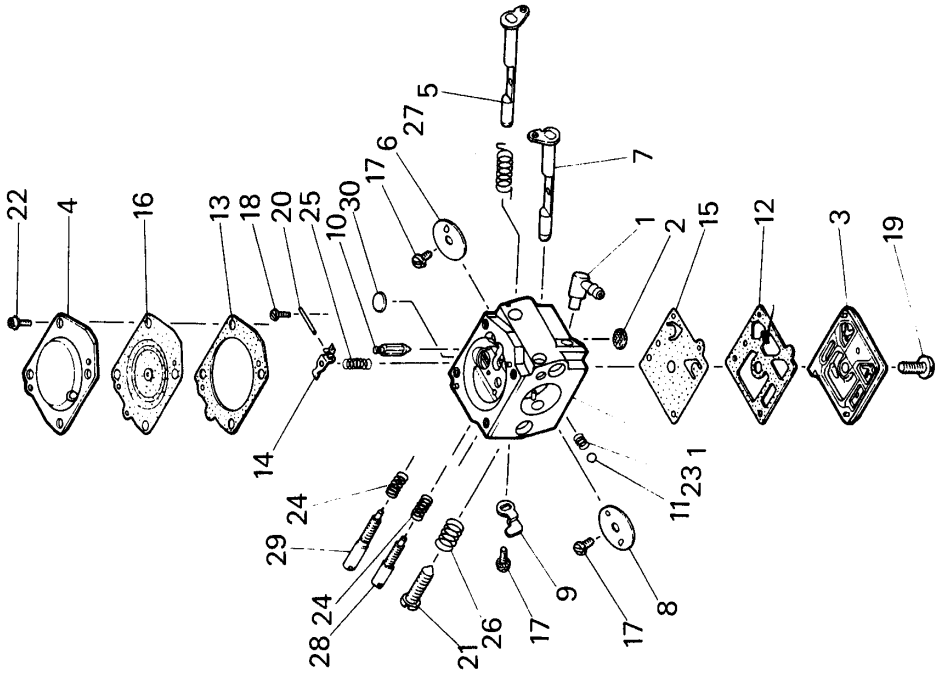
Key No.	Parts Number	Description	Q'ty	Rank	Remarks	Key No.	Parts Number	Description	Q'ty	Rank	Remarks
4-1	3356-23100	OIL PIPE COMP	1	•		4-27	3356-24220	STOPPER, brake	1	•	K-5
-2	3356-23110	• PIPE, oil	1	••		-28	3356-24230	SPRING, brake	1	•	K-5
-3	07000-01008	• O-RING	1	••		-29	3356-24240	SPRING	1	•	
-4	3310-57312	• PIPE	1	•		-30	0308-00060	RING	2	••	K-5
-5	3310-57412	• WEIGHT	1	••		-31	3356-24411	COVER, brake	1	••	
-6	3310-57511	• CLIP	2	•		-32	0263-60514	SCREW	2	•	M5×14 $\frac{1}{2}$
-7	3356-23210	PIPE, oil	1	••		-33	3356-24312	GUARD	1	•	
-8	3356-55100	OIL PUMP ASSY	1	••		-34	0263-90514	SCREW	1	•	M5×14 $\frac{1}{2}$
-9	3356-55110	• BODY, oil pump	1	••		-35	3356-75710	SCREW	1	•	
-10	3356-55120	• WORM	1	••							
-11	3356-55310	GASKET, oil pump	1	•••							
-12	0263-90520	SCREW	3	•	M5×20 $\frac{1}{2}$						
-13	3356-55450	GROMMET, oil pump	1	•							
-14	3356-55511	SHAFT, oil adjust	1	•							
-15	3356-51200	CLUTCH ASSY	1	••							
-16	☆	• SHOE, clutch	2		☆3356-51200						
-17	3356-51230	• SPRING, clutch	2	••							
-18	☆	• BOSS, clutch	1		☆3356-51200						
-19	3356-51110	DRUM, clutch	1	•••							
-20	3320-41410	BEARING, needle	1	••							
-21	3356-51320	WASHER	1	••							
-22	3310-43220	NUT	1	••							
-23	3356-24101	BRAKE BAND COMP	1	•	K-5						
-24	3356-24111	• BAND, brake	1	•							
-25	3356-24120	• ARM, brake	1	•							
-26	04025-00408	• PIN	1	•							
-27	3356-24140	ROLLER	1	•	K-5						
-28	3356-24210	LEVER, brake	1	•							

Fig. 5 AV SYSTEM · COVERS



Key No.	Parts Number	Description	Q'ty	Rank	Remarks	Key No.	Parts Number	Description	Q'ty	Rank	Remarks
5- 1	3350-25110	SCREW, chain adjust	1	••		5-23	2614-53120	•• LABEL	1	•	(FOR AVSH MODEL)
- 2	3350-25121	STOPPER, adjust screw	1	•••		-24	3356-53220	• PLATE, outer	1	•••	
- 3	3320-21191	NUT-A	1	••		-25	0277-10410	• SCREW	1	•	
- 4	01641-20508	WASHER	1	•		-26	3350-53410	NUT, chain cover	2	••	
- 5	3356-25211	CATCHER, chain	1	•••			3356-83303	COVER COMP	1	••	
- 6	3330-33530	BOLT	1	•		-27	3356-83313	• COVER, air cleaner	1	••	
- 7	3350-25310	BUMPER, spike	1	•		-28	3356-83321	• KNOB, cleaner cover	1	••	
- 8	3350-15250	BOLT	2	•	M5×16 l	-29	3356-83330	• GASKET, knob	1	••	
- 9	3356-53210	PLATE, inner	1	•••		-30	3356-83351	LABEL	1	••	H : 1 L : 1½
-10	0261-00410	SCREW	1	•	4×10 l						
	3356-31103	COVER COMP	1	•							
-11	3356-31113	• COVER, cylinder	1	•							
-12	3356-31120	• CAP, cylinder cover	1	••							
-13	3356-31130	• NUT	1	•							
-14	3356-31140	• PLATE	1	•							
-15	3356-31151	• GROMMET	1	••							
-31	3356-31160	• LABEL	1	•							
-16	3356-35110	BAMPER, front	2	•••							
-17	3356-35120	CAP	2	•••							
-18	3356-35151	DAMPER, rear	2	•••							
-19	0262-10514	SCREW	4	••							
-20	3320-14140	WASHER	4	••							
-21	3356-35171	BOLT	2	••							
	3356-53001	CHAIN COVER ASSY	1	••							
	2614-53000	CHAIN COVER ASSY	1	••	(FOR AVSH MODEL)						
	☆	• CHAIN COVER COMP	1	•	☆ 3356-53001						
-22	☆	•• COVER, chain	1	•	☆ 3356-53001						
-23	3356-53120	•• LABEL	1	•							

Fig. 6 CARBURETOR



Key No.	Parts Number	Description	Q'ty	Rank	Remarks	Key No.	Parts Number	Description	Q'ty	Rank	Remarks
6-1	3356-81002	CARBURETOR ASSY	1	••	WALBRO HDA	6-26	3350-81380	• SPRING, idle speed	1	•	
-2	☆	• BODY ASSY	1		☆3356-81002	-27	3350-81391	• SPRING, throttle return	1	•	
-3	3306-81380	• SCREEN, inlet	1	•		-28	3356-81410	• NEEDLE, high speed	1	•	
-4	3350-81130	• COVER, pump	1	•		-29	3366-81421	• NEEDLE, low speed	1	••	
-5	3350-81140	• COVER, diaphragm	1	•		-30	☆	• PLUG	1		☆3356-81002
-6	3350-81150	• SHAFT, throttle ASSY	1	•							
-7	3356-81340	• VALVE, throttle	1	•							
-8	3356-81170	• SHAFT, choke ASSY	1	•							
-9	3356-81181	• VALVE, choke	1	•							
-10	3350-81190	• STOP, throttle	1	•							
-11	1491-81310	• VALVE, inlet	1	•••							
-12	3350-81220	• BALL, friction	1	•							
-13	3350-81230	• GASKET, pump	1	•••	K-2						
-14	3350-81240	• GASKET, metering	1	•••	K-2						
-15	3350-81250	• LEVER, metering	1	•							
-16	3350-81260	• DIAPHRAGM, pump	1	•••	K-3						
-17	3350-81270	• DIAPHRAGM ASSY	1	•••	K-3						
-18	3310-81360	• SCREW, valve	3	•							
-19	3310-81240	• SCREW, metering lever	1	•							
-20	3310-81130	• SCREW, pump cover	1	•							
-21	3310-81250	• PIN, metering lever	1	•							
-22	3350-81330	• SCREW, idle speed	1	•							
-23	3310-81351	• SCREW ASSY	4	•							
-24	3350-81350	• SPRING, friction	1	•							
-25	1491-81160	• SPRING, needle	2	•							
	3350-81370	• SPRING, metering lever	1	•							

Fig. 7 STANDARD ACCESSORIES

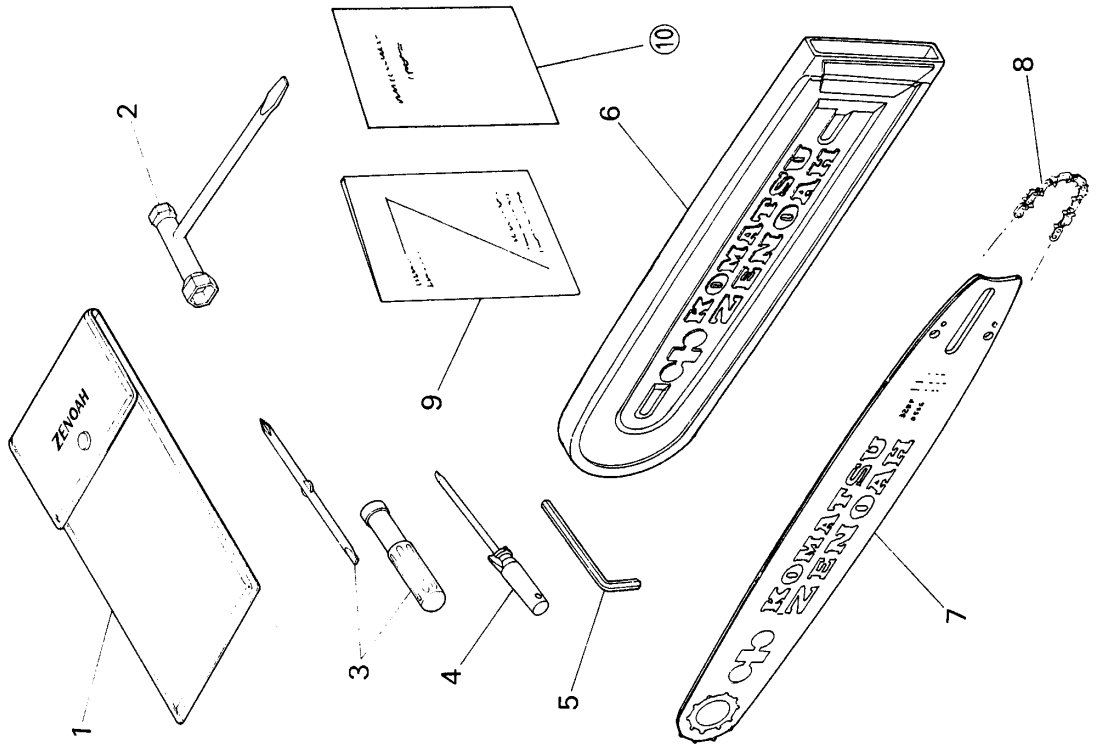
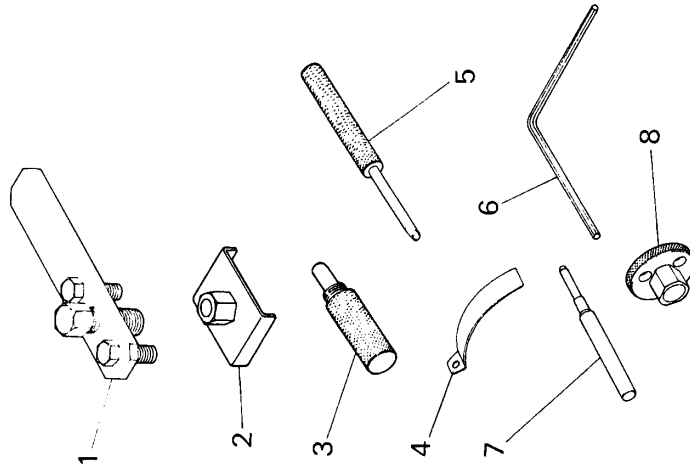


Fig. 8 SPECIAL TOOLS



Key No.	Parts Number	Description	Q'ty	Rank	Remarks	Key No.	Parts Number	Description	Q'ty	Rank	Remarks
7- 1	3356-91001	TOOL SET	1	•			3356-96001	SPECIAL TOOL KIT	1		OP
- 2	1820-91111	• BAG	1	•		8- 1	3310-96100	• PULLER, rotor ASSY	1		OP
- 3	3320-91140	• WRENCH	1	•••			1075-96110	• PULLER	1		OP
- 4	1030-91340	• DRIVER	1	•			1075-96120	• BOLT	1		OP
- 5	3350-91150	• DRIVER	1	•••			3310-96130	• BOLT	2		OP
	09007-00425	• WRENCH	1	•••		- 2	3356-96210	• WRENCH, clutch	1		OP
- 6	3356-97110	PROTECTOR	1	•	(FOR 16"-18" BAR)	- 3	3350-96220	• STOPPER, piston	1		OP
	3310-97112	PROTECTOR	1	•	OP (FOR 13" BAR)	- 4	3350-96240	• GAUGE, airgap	1		OP
	3665-97110	PROTECTOR	1	•	OP (FOR 20" BAR)	- 5	3350-96510	• GUIDE, brake spring	1		OP
- 7	3663-52112	BAR 16 inch	1	•••		- 6	3330-97210	• WRENCH	1		OP
	3664-52112	BAR 18 inch	1	•••	OP	- 7	3356-96230	• GUIDE, piston pin	1		OP
	3662-52112	BAR 13 inch	1	•••	OP	- 8	3350-96250	• GAUGE, heater coil	1		OP
	3665-52112	BAR 20 inch	1	•••	OP						
	3669-52100	BAR 24 inch	1	•••	OP (0.050 GAUGE)						
- 8	3663-52210	CHAIN, for 16 inch bar	1	•••	OREGON 21AP-68E						
	3664-52210	CHAIN, for 18 inch bar	1	•••	OP OREGON 21AP-74E						
	3611-52210	CHAIN, for 13 inch bar	1	•••	OP OREGON 21AP-60E						
	3665-52210	CHAIN, for 20 inch bar	1	•••	OP OREGON 21AP-81E						
	3360-98610	CHAIN, for 24 inch bar	1	•••	OP OREGON 20AP-94E						
- 9	3356-93111	MANUAL	1	•							
- 10	2614-93210	MANVAL	1	•	(FOR AVSH MODEL)						

Fig. 10 ENGINE MAIN BODY SHORT BLOCK

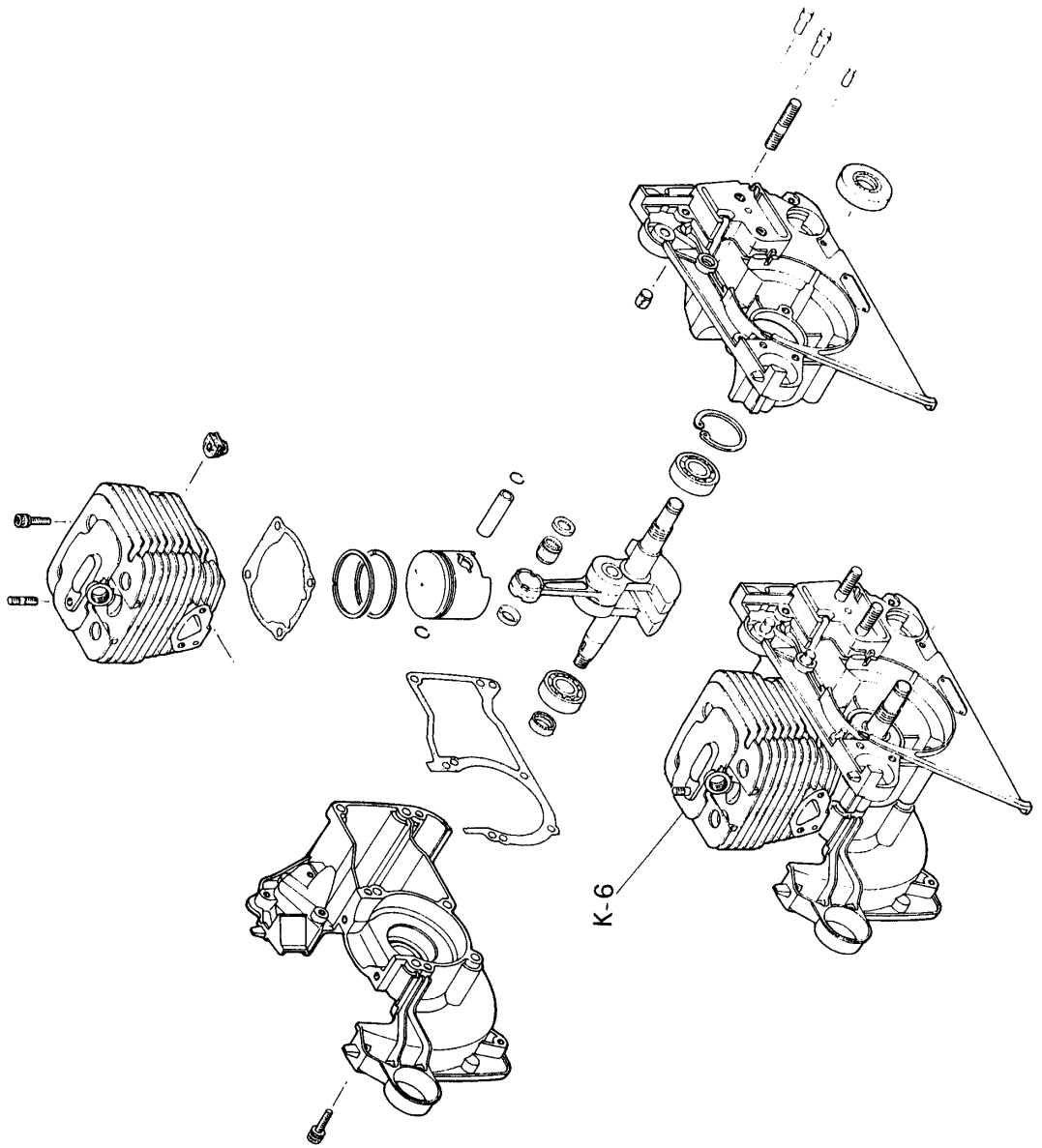
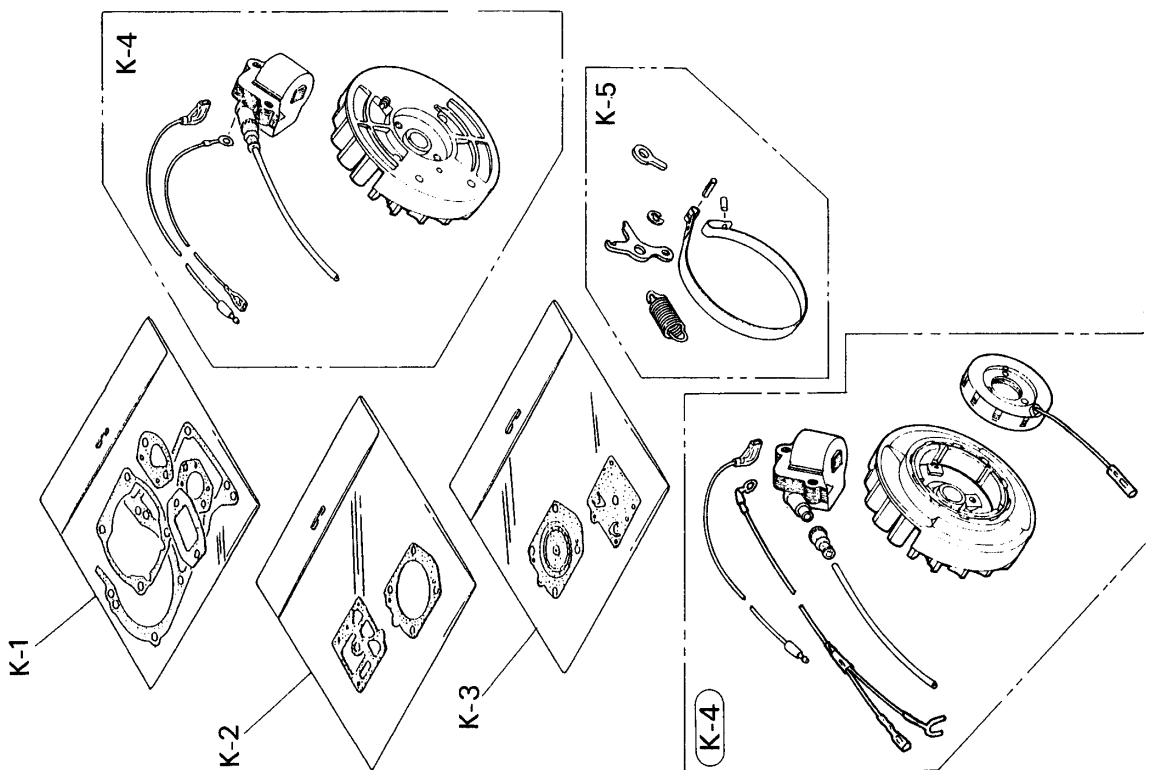


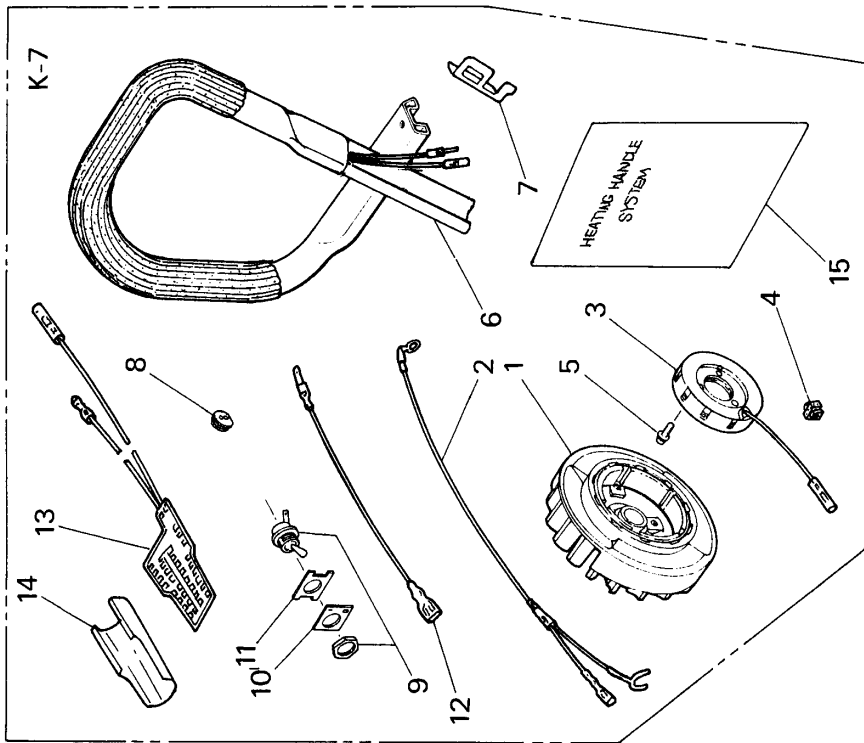
Fig. 9 REPAIR KIT PARTS





Key No.	Parts Number	Description	Q'ty	Rank	Remarks	Key No.	Parts Number	Description	Q'ty	Rank	Remarks
9-K-1	3356-06010	GASKET KIT	1	•••	OP FOR ENGINE	10-K-6	2614-71410	• COIL, heater	1	•	OP
	3356-14110	• GASKET, insulator	1	•			3356-06051	SHORT BLOCK	1	••	☆3356-12103
	3356-14130	• GASKET, carburetor	1	•			☆	• CYLINDER COMP	1	•	
	3356-14210	• GASKET, cylinder base	1	•			3356-12120	•• CYLINDER	1	•	
	3356-15210	• GASKET, muffler	1	•			3356-12140	•• STUD	1	•	
	3356-21310	• GASKET, crankcase	1	•			3356-14210	•• GROMMET	1	•	
	3350-06020	GASKET KIT	1	•••	OP FOR CARBUETOR		3310-12280	• GASKET, cylinder base	1	•••	K-1
	3350-81230	• GASKET, pump	1	•			3356-21002	• BOLT	4	•	M5×20 l
	3350-81240	• GASKET, diaphragm	1	•			☆	• CRANKCASE ASSY	1	•	☆3356-21002
	3350-06030	DIAPHRAGM KIT	1	•••	OP FOR CABURETOR		☆	•• CASE, magneto	1	•	☆3356-21002
9-K-2	3350-81260	• DIAPHRAGM, pump	1	•		3356-21130	•• PIN	3	•		
	3350-81270	• DIAPHRAGM ASSY	1	•		04065-03515	•• RING, snap	1	•		
	3356-71004	MAGNETO KIT	1	•	OP	06030-06202	•• BEARING	2	•		
	3356-71112	• ROTOR	1	•		3350-21210	•• SEAL, oil	1	•••		
	3356-71202	• COIL COMP	1	•		1400-21220	•• SEAL, oil	1	•••		
	3356-71311	• CORD, switch	1	•		0250-50825	•• STUD	2	•••		
	3356-71321	• CORD, earth	1	•		3350-21250	•• PIN, spring	1	•		
	3357-06010	BRAKE KIT	1	•	OP	3356-21270	•• PIN, arm	2	•••		
	3356-24101	• BRAKE BAND COMP	1	•		3356-21310	•• GASKET, crankcase	1	•••	K-1	
	3356-24111	•• BAND, brake	1	•		3310-12280	• BOLT	6	•	M5×20 l	
9-K-5	3356-24120	•• ARM, brake	1	•		3356-41112	• PISTON	1	•••		
	04025-00408	•• PIN	1	•		3356-41210	• RING, piston	2	•••		
	3356-24140	• ROLLER	1	•		3360-41310	• PIN, piston	1	•		
	3356-24220	• STOPPER, brake	1	•		3350-41320	• RING, snap	2	•••		
	3356-24230	• SPRING, brake	1	•		1400-41410	• BEARING, needle	1	••	□3350-41410	
	0308-00060	• RING	2	••		3356-41510	• WASHER, thrust	2	•		
	2614-71000	MAGNETO KIT	1	•	OP (FOR AVSH MODEL)	3356-42002	• CRANKSHAFT COMP	1	•		
	2614-71110	• ROTOR	1	•							
	3356-71202	• CORD, switch	1	•							
	3356-71311	• COIL COMP	1	•							
2614-71320	• CORD, earth	1	•								

Fig. 11 HEATING HANDLE CONVERSION KIT



Key No.	Parts Number	Description	Q'ty	Rank	Remarks
11-K-7	3356-06070	HEATING KIT	1	•	OP
1	2614-71110	• ROTOR	1	•	
2	2614-71320	• CORD, earth	1	••	
3	2614-71410	• COIL, heater	1	•	
4	2614-71610	• GROMMET	1	•	
5	0263-30414	• SCREW	3	•	M4 X 14 l
6	2614-32100	• HANDLE-left. COMP	1	••	
7	2614-32220	• CLAMP CORD	1	••	
8	3350-34651	• GROMMET	1	•	
9	3354-34810	• SWITCH ASSY	1	••	
10	3354-34830	• PLATE, switch	1	•	
11	3354-34840	• PLATE	1	•	
12	2614-34850	• CORD, heater	1	••	
13	2614-34910	• HEATER, rear	1	••	
14	2614-34920	• PLATE, heater	1	•	
15	2614-93210	• MANUAL	1	•	

## Free Manuals Download Website

<http://myh66.com>

<http://usermanuals.us>

<http://www.somanuals.com>

<http://www.4manuals.cc>

<http://www.manual-lib.com>

<http://www.404manual.com>

<http://www.luxmanual.com>

<http://aubethermostatmanual.com>

Golf course search by state

<http://golfingnear.com>

Email search by domain

<http://emailbydomain.com>

Auto manuals search

<http://auto.somanuals.com>

TV manuals search

<http://tv.somanuals.com>