



**HT232/HT232L
CHT232B/CHT232L**

HEDGE-TRIMMER

Owner/Operator Manual and Service Parts List

IMPORTANT:

Before operating your RedMax product, read this manual carefully and completely. This manual will provide you with full understanding of the necessary instructions for assembly, operation and maintenance of the equipment. For continued safe and reliable operation, use only parts bearing the RedMax mark. Adhere to all notes and warnings.

FOR SAFE OPERATION

■ KNOW YOUR UNIT

1. Read this Owner's Manual carefully until you completely understand and can follow all safety rules, precautions, and operating instructions before operating the unit.
2. Restrict your unit to users who understand and follow all safety rules, precautions, and operating instructions found in this manual. Children should not be allowed to operate this unit.

■ PLAN AHEAD

1. Dress in a long-sleeved shirt and long pants. Wear protective gloves and shoes. Use adequate gears to protect your eyes and ears. Do not wear loose clothing, jewelry, short pants or sandals. Do not go barefoot.
2. Guard against hazardous situations at all times. Warn adults to keep pets and children away from the work area. Establish a safe method for gaining your attention during operation. Be careful if you are approached.
3. Do not operate the unit when you are tired, ill or upset; or if you are under the influence of alcohol, drugs, or medication.
4. Inspect the work site before each use. Remove all debris and objects that could be thrown, become entangled in the cutting head, or cause damage during operation.

■ HANDLE FUEL WITH CAUTION

1. Eliminate all sources of sparks or flame (including smoking, open flames, or work that could cause sparks) in the area where fuel is mixed, poured, or stored.
2. Mix, pour, and store fuel in an approved, marked container and in a well ventilated area.
3. Be sure to stop the engine before refueling the unit.
4. Do not smoke while handling fuel or while operating the unit.
5. Wipe up all spills before starting the engine. Move at least 10 feet (3 meters) away from fuel and refueling site before starting the engine.

■ OPERATE YOUR UNIT SAFELY

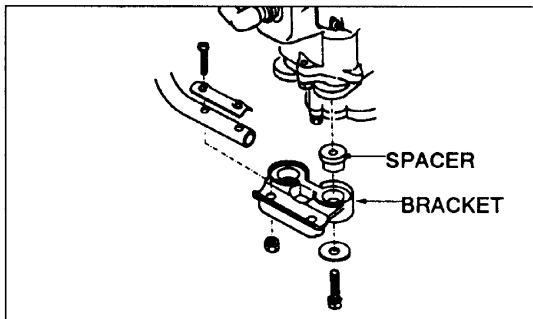
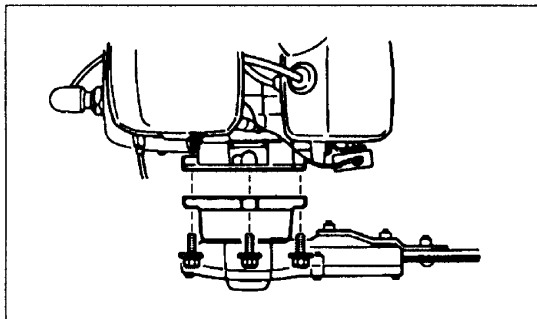
1. Inspect the entire unit before each use for worn, loose, or damaged parts. Do not use until the unit is in proper working order.
2. Keep the handles free of oil and fuel.
3. Never start or run the engine inside a closed room or building. Exhaust fumes contain dangerous carbon monoxide.
4. Keep the engine idle speed adjusted properly so that the cutting head comes to a complete stop when trigger is released.
5. Be sure to stop the engine before refueling, inspecting or leaving the unit unattended.
6. Always use both hands to hold the unit.
7. Do not use any accessory or attachment other than those bearing the RedMax mark and recommended for the unit.

■ MAINTAIN YOUR UNIT PROPERLY

1. Disconnect the spark plug before performing all maintenance except for carburetor adjustment.
2. Use only recommended, genuine replacement parts to avoid creating hazard and/or voiding your warranty.
3. When transporting or storing the unit, drain fuel from the fuel tank.
4. Do not store the unit or fuel in a closed area where fuel vapors can reach an open flame from hot water heaters, furnaces, and so on.
5. Store the unit in a dry area out of the reach of children.
6. All engine service, other than those explained in this manual, should be performed by competent service personnel. Improper service to the muffler and flywheel could cause serious accidents.

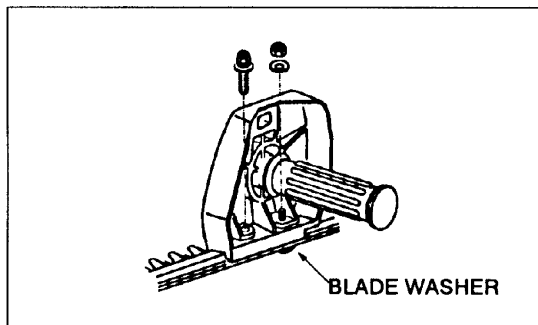
SETUP for HT232/HT232L

1. Join the engine unit to the clutch housing of the cutter unit, with the fuel tank on the blade side.
2. Align the mounting holes and fix the engine securely with the 3 screws.
3. Remove the right handle mounting screw, nut, and washer casually attached on the blade beam.
4. Set the right handle on the beam as the grip comes to the opposite side of the cutting teeth, and fix with the hardware removed before. When fastening the nut, hold the screw to keep the blade washer loose.
5. Fix the left handle to the bracket using the hardware provided.
6. Install the handle assembly to the clutch housing with the spacers inserted as shown in the picture.
7. Attach the throttle lever to the left handle, and connect the cable to it.
8. Check the cable play and, if necessary, adjust between .04" and .08" .

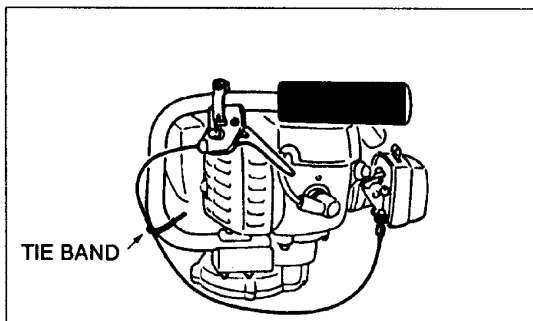


3. Remove the right handle mounting screw, nut, and washer casually attached on the blade beam.

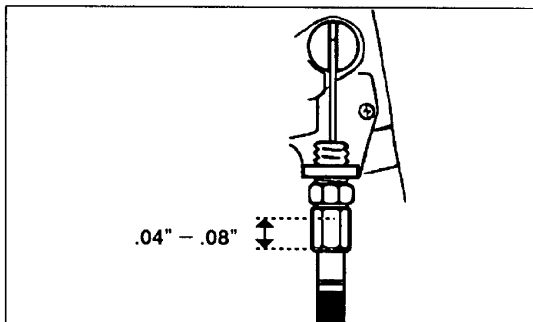
4. Set the right handle on the beam as the grip comes to the opposite side of the cutting teeth, and fix with the hardware removed before. When fastening the nut, hold the screw to keep the blade washer loose.



7. Attach the throttle lever to the left handle, and connect the cable to it.



8. Check the cable play and, if necessary, adjust between .04" and .08" .

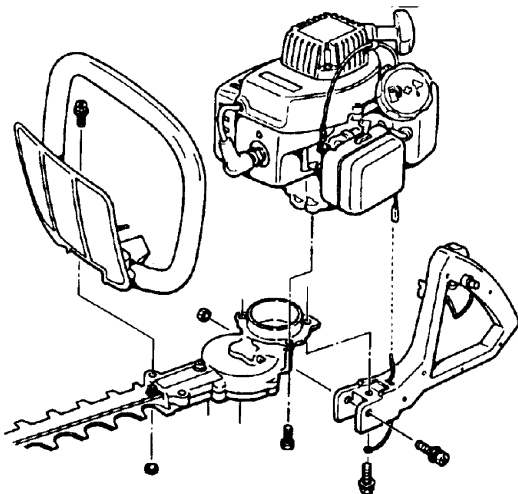
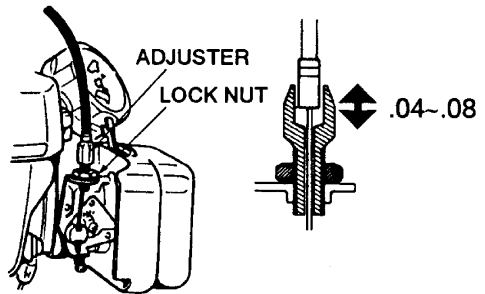


[NOTE]

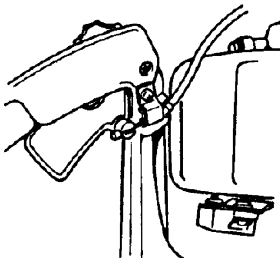
To assure designed cutting performance, always keep a half spare turn for the blade screws. It will cause blade seizure and premature wear of the clutch system if they are too tight. Too loose screws will make the gap between the blades large, and result in poor cutting performance.

SETUP for CHT232B/CHT232L

1. Join the engine unit onto the clutch housing of the cutter unit. Casually fix the front 2 points with the screws(.55" long).
2. After connecting the ground wire, install the rear handle to the clutch housing with the screw(2" long) and the nut.
3. Put the screw(1.6" long) through the ground wire terminal and the rear handle, screw in to the engine mounting base. Securely tighten all of the engine mounting screws.
4. Attach the front handle onto the gear housing and fasten with 2 screws(1.2" long) and nuts.
7. Adjust the cable play to .04 - .08.



5. Connect the throttle cable with the lever on the rear handle, and fix the end with the hardware attached to the handle.



FUEL

The engines of HT232 and CHT232 are lubricated by oil specially formulated for air-cooled 2-cycle gasoline engine use. If RedMax oil is not available, use an anti-oxidant added quality oil expressly labeled for air-cooled 2-cycle engine use.

RECOMMENDED MIXING RATIO
GASOLINE 32 : OIL 1

【WARNING!!】

The fuel is highly flammable. Do not smoke or bring any flame or sparks near fuel.

■ HOW TO MIX FUEL

1. Measure out the quantities of gasoline and oil to be mixed.
2. Put some of the gasoline into a clean, approved fuel container.
3. Pour in all of the oil and agitate well.
4. Pour in the rest of gasoline and agitate again for at least one minute.
5. Put a clear indication on the outside of the container to avoid mixing up with gasoline or other containers.

■ FUELING THE UNIT

1. Untwist and remove the fuel cap. Rest the cap on a dustless place.
2. Put fuel into the fuel tank to 80% of the full capacity.
3. Fasten the fuel cap securely and wipe up any fuel spillage around the unit.

[CAUTION !]

1. Select bare ground for fueling.
2. Move at least 10 feet (3 meters) away from the fueling point before starting the engine.
3. Stop the engine before refueling the unit.

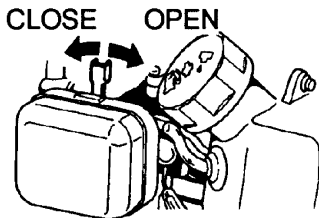
FOR YOUR ENGINE LIFE, AVOID;

1. FUEL WITH NO OIL (RAW GASOLINE) – It will give severe damage to the engine inner parts very quickly.
2. GASOHOL – It can cause deterioration of rubber and/or plastic parts and disruption of engine lubrication.
3. OIL FOR 4-CYCLE ENGINE USE or WATER COOLED 2-CYCLE ENGINE USE – It can cause spark plug fouling, exhaust port blocking, or piston ring sticking.

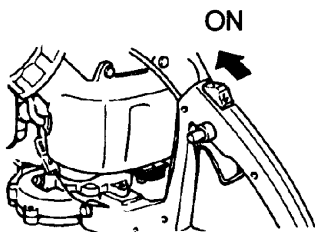
OPERATION

■ STARTING ENGINE

1. Rest the unit on a flat, firm place. Keep the blades clear of the surrounding as it will start rotating upon starting of the engine.
2. When first starting up after putting fuel into the machine, push the priming pump until fuel runs out in the clear tube. Then close the choke. Choking may not be necessary when re-starting right after stopping the engine.



3. Pull the throttle lever and push the lock button to set the lever in the START position.
4. **[CHT232B/CHT232L only]**
Slide the ignition switch to the engine side to set it in the ON position.



5. While holding the unit with your left hand on the starter housing, pull the starter knob quickly.

[NOTE]

Avoid pulling the rope to its dead end or returning it by releasing the knob. Such actions can cause starter failures.

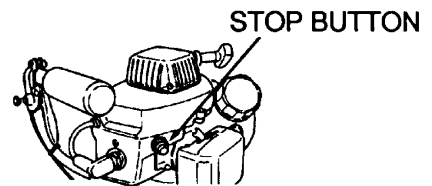
6. When the engine has started, gradually open the choke.
7. Allow the engine to warm up for a half minute before starting operation.

[NOTE]

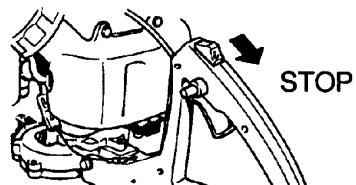
1. If the engine won't start after several attempts, open the choke and repeat pulling the rope or remove the spark plug and dry it.

■ STOPPING ENGINE

1. Release the throttle trigger and run the engine for a half minute.
2. Stop the engine by the stop switch.
[HT232/HT232L] Press on the stop button until the engine stops completely.



- [CHT232B/CHT232L]** Shift the ignition switch to the STOP position.



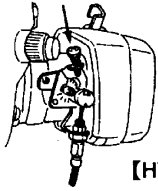
[NOTE]

Except for an emergency, avoid stopping the engine while pulling the trigger.

■ ADJUSTING IDLING SPEED

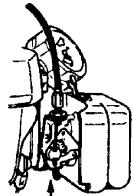
1. When the engine tends to stop frequently at idling mode, turn the idle set screw clockwise.
2. When the cutting head keeps rotating after releasing the trigger, turn the idle set screw counter-clockwise.

IDLE SET SCREW



[HT232]

[CHT232]



IDLE SET SCREW

[NOTE]

Warm up the engine before adjusting the idling speed.

■ HOW TO USE

- This machine is designed so as to cut twigs upto 8 mm(0.3 inches) thick. Cutting too thick twigs or metal wires can not only break the blade teeth but also give damage to the drive mechanism.
- When trimming leaves and thin twigs, guide the blades as drawing a half circle on the surface, and you will get a better finish.
- Running the engine at high speed with the blades jammed up can shorten the life of clutch parts. When the blades have been jammed by thick twigs, stop operation once and draw your unit off the objects after stopping the engine. When clipping comparatively thick twigs, move your unit slowly back and forth like a saw, and they can be cut to fine finish.

[NOTE]

When a new unit is first operated, in the first few minutes grease may come out of the gear case. But, since this is excess grease, there is no cause for alarm. For next use just wipe it off with the engine stopped.

MAINTENANCE

WARNING: Make sure to stop the engine before inspecting and servicing the unit.

■ DAILY INSPECTION

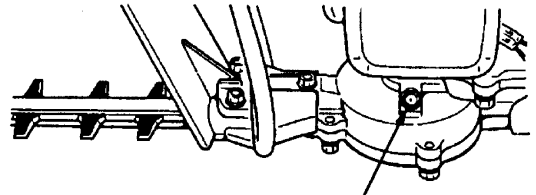
- Check all the fasteners for getting loose or missing.
- Brush off dirt on the blades and smear oil.

[NOTE]

The blades are loose-installed to the guide bar with several screws and nuts. Do not tighten up those screws, or the blades will be locked and result in clutch failures. Allow the screws a half spare turn, and secure there with the nut(See NOTE on page 4).

■ GEAR CASE

At every 25 hours of use, supply grease to the gearcase. Pump in grease via the grease fitting until it comes out of the root of blades.

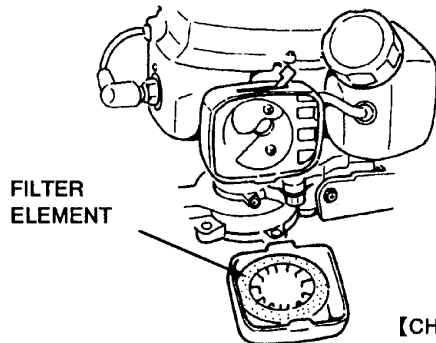


GREASE FITTING

[CHT232]

■ AIR FILTER

The air filter, if clogged, will reduce the engine performance. Monthly check and clean the filter element in warm, soapy water as required. Dry completely before installing. If the element is broken or shrunk, replace with a new one.



FILTER ELEMENT

[CHT232]

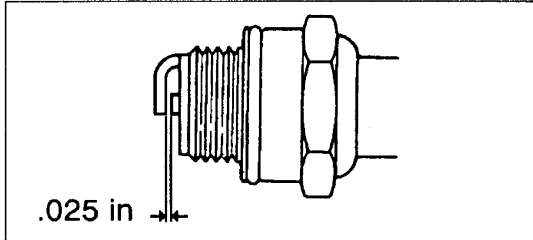
■ FUEL FILTER

When the engine runs short of fuel supply, check the fuel cap and the fuel filter for blockage.

■ SPARK PLUG

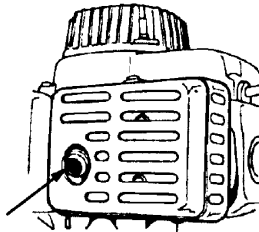
Starting failure and mis-firing are often caused by a fouled spark plug. Periodically clean the spark plug and check that the spark gap is in the correct range.

For a replacement plug, use the correct type specified by RedMax (See SPECIFICATIONS on the right).



■ SPARK ARRESTER

RedMax engines are equipped with a spark arresting screen at the exhaust port. Periodically check and keep it in good condition. In the State of California it is required by law (Section 4442 of the California Public Resources Code) to equip a spark arrester when a gas powered tool is used in any forest covered, brush covered, or grass covered unimproved land.



SPARK
ARRESTER

■ STORAGE

Old fuel left in the carburetor may cause starting failure. Before storing the unit, empty the fuel tank and drain the carburetor with the priming pump equipped on it.

SPECIFICATIONS

■ HT232 [HT232L]

Type·····Reciprocating single-sided dual blades
Blade size·········· 29.5 [40] (in)
Dry weight·········· 12 [13] (lbs)
Engine Type·····Air-cooled 2-stroke gasoline
Model·········· Zenoah G2D
Displacement········ 22.5(cc)
Max. output······ 1.2 (HP) at 7500rpm
Fuel········ Mixture (Gasoline 32:Oil 1)
Carburetor···· Walbro Diaphragm type
Spark plug········ Champion RCJ8
Fuel tank capacity·········· 20(fl.oz)
Transmission
········ Centrifugal clutch, Cam-crank
Reduction ratio·········· 4.14

■ CHT232B [CHT232L]

Type·····Reciprocating double-sided dual blades
Blade size·········· 23.6 [30] (in)
Dry weight·········· 11.5 [12] (lbs)
Engine Type·····Air-cooled 2-stroke gasoline
Model·········· Zenoah G2D
Displacement········ 22.5(cc)
Max. output······ 1.2 (HP) at 7500rpm
Fuel········ Mixture (Gasoline 32:Oil 1)
Carburetor···· Walbro Diaphragm type
Spark plug········ Champion RCJ8
Fuel tank capacity·········· 20(fl.oz)
Transmission
········ Centrifugal clutch, Cam-crank
Reduction ratio·········· 4.14

Specifications are subject to change without notice.

SERVICE PARTS LIST

Fig. 1 CUTTER GROUP FOR HT232 & HT232L

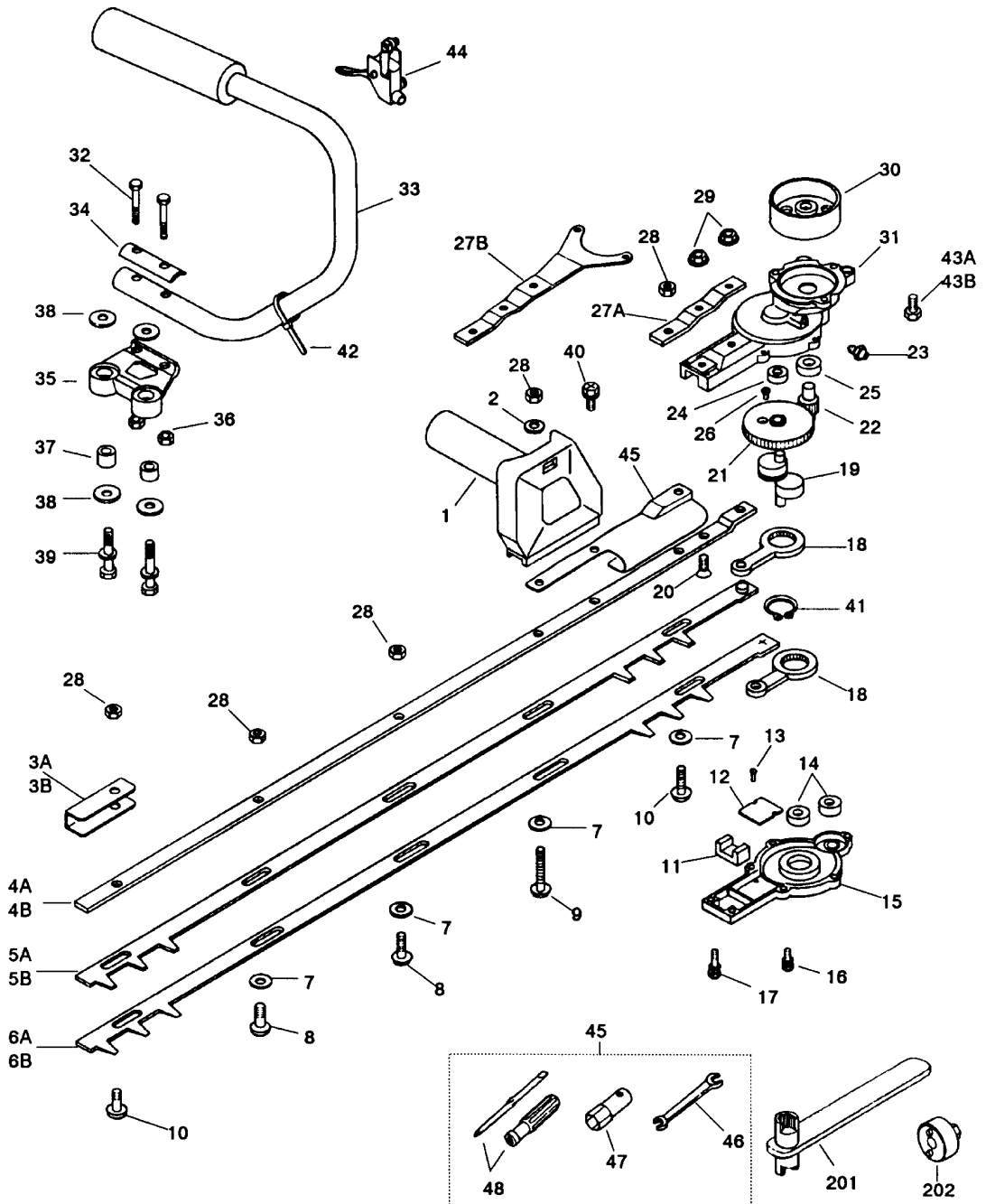


Fig.1 CUTTER GROUP FOR HT232 & HT232L

Key No.	Description	Part Number	Q'ty		Note
			232	232L	
1	Right handle comp.	3883-12101	1	1	
2	Washer	3883-12130	1	1	
3A	Reinforce	3880-11750	1	—	
3B	Reinforce	3885-11750	—	1	
4A	Guide plate	3883-11610	1	—	
4B	Guide plate	3927-11610	—	1	
5A	Upper blade	3880-11720	1	—	
5B	Upper blade	3927-11720	—	1	
6A	Lower blade	3880-11730	1	—	
6B	Lower blade	3927-11730	—	1	
7	Washer	3880-11780	4	5	
8	Screw, 19mm long	3884-11750	2	3	
9	Screw, 29mm long	6095-11810	1	1	
10	Screw, 22mm long	3884-11660	2	2	
11	Felt	3873-11320	1	1	
12	Plate	3880-11340	1	1	
13	Screw	0260-00305	2	2	
14	Bearing	06001-00608	2	2	
15	lower case	3873-11210	1	1	
16	Bolt	0225-10516	5	5	
17	Bolt	0225-10520	2	2	
18	Rod	3873-11500	2	2	
19	Crankshaft	3886-11450	1	1	
20	Screw	3873-11630	2	2	
21	Gear	3884-11440	1	1	
22	Pinion	3884-11420	1	1	
23	Fitting	3199-13350	1	1	
24	Bearing	06001-00608	1	1	
25	Bearing	06004-06001	1	1	
26	Screw	3873-11460	1	1	
27A	Plate	3876-11670	1	—	
27B	Plate	3927-11670	—	1	
28	Nut	3880-11790	5	6	
29	Nut	3880-11140	2	2	
30	Clutch drum	3884-11410	1	1	
31	Upper case	3887-11110	1	1	
32	Bolt	0212-50350	2	2	
33	Left handle comp.	3887-13100	1	1	
34	Plate	6095-13310	1	1	
35	Bracket	6095-13320	1	1	
36	Nut	3876-14470	2	2	
37	Collar	6095-13330	2	2	
38	Washer	6095-13360	4	4	
39	Bolt	0225-10625	2	2	
40	Bolt	3883-12140	1	1	
41	Snap ring	04064-02512	1	1	
42	Band	3880-13350	1	1	
43A	Bolt	0225-10614	3	—	
43B	Bolt	0225-10618	—	3	
44	Lever ass'y	3881-13210	1	1	
45	Protector	3887-91170	1	1	
45	Tool set	1111-91003	1	1	
46	Spanner	3540-91120	1	1	
47	Socket	1110-91320	1	1	
48	Screwdriver	1030-91340	1	1	
201	Wrench	3880-95020	(1)	(1)	Optional part
202	Wrench	3880-95010	(1)	(1)	Optional part

Fig.2 ENGINE GROUP FOR HT232 & HT232L

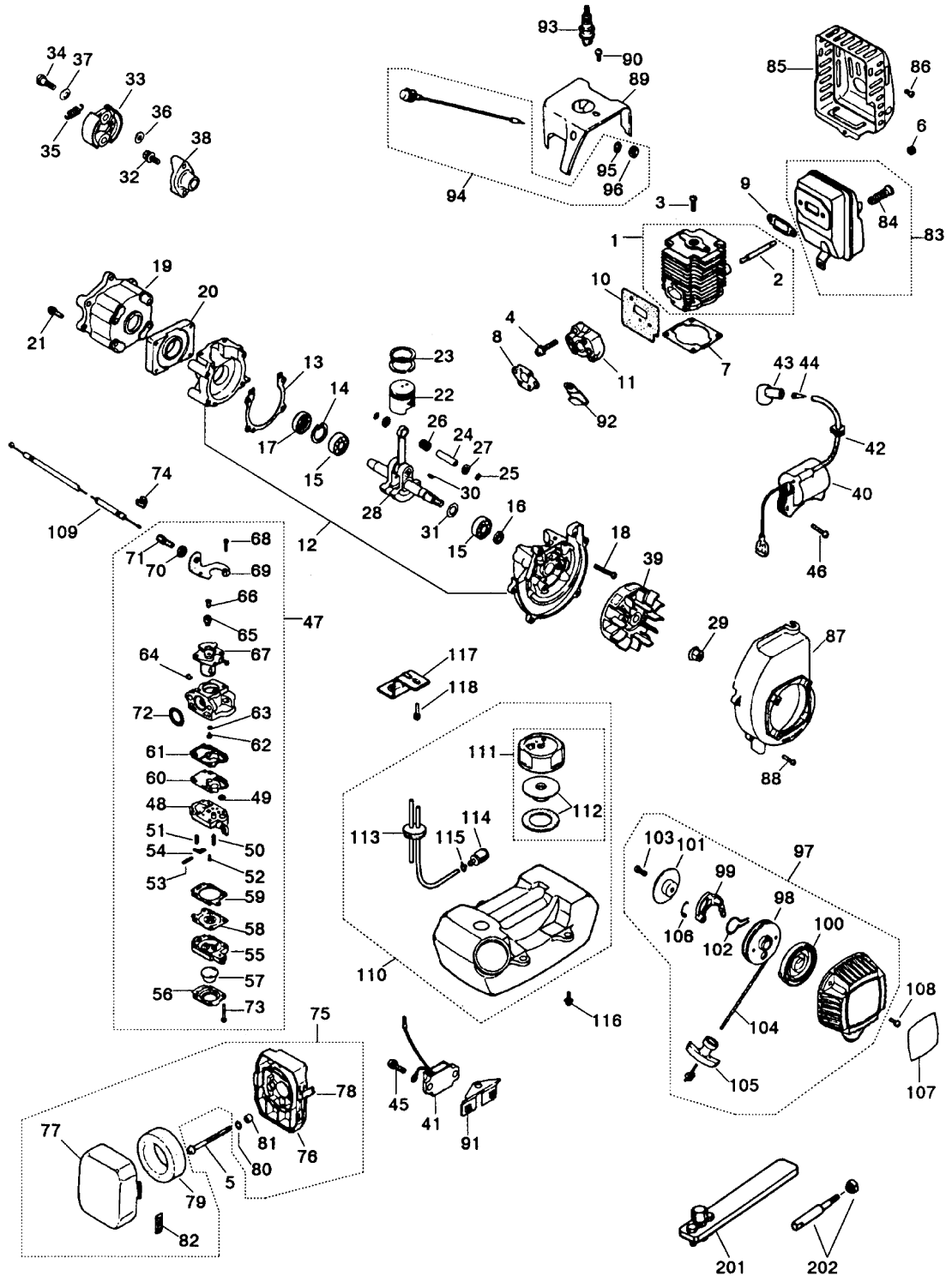


Fig.2 ENGINE GROUP FOR HT232 & HT232L

Key No.	Description	Part Number	Q'ty	Note	Key No.	Description	Part Number	Q'ty	Note
1	Cylinder comp.	1140-12100	1		67	Valve ass'y	1881-81150	1	
2	Stud	1140-12150	2		68	Screw	1752-81110	2	
3	Screw	0260-10518	4		69	Bracket	1891-81130	1	
4	Screw	0260-30520	2		70	Nut	1751-81180	1	
5	Screw	0260-30555	2		71	Screw	1918-81170	1	
6	Nut	3320-15310	2		72	Ring	1881-81130	1	
7	Gasket	1140-13120	1		73	Screw	1850-81530	4	
8	Gasket	1750-13131	1		74	Cap	1801-81810	1	
9	Gasket	1140-13140	1		75	Cleaner ass'y	1751-82002	1	
10	Gasket	1750-13150	1		76	Housing	1751-82012	1	
11	Insulator	1750-13161	1		77	Cover	1751-82041	1	
12	Crankcase comp.	1772-21101	1		78	Lever	1750-82070	1	
13	Gasket	1140-21140	1		79	Filter	1750-82020	1	
14	Snap ring	04065-02812	1		80	Washer	1750-82080	1	
15	Bearing	06030-08001	2		81	Sleeve	1750-82060	2	
16	Seal	1140-21210	1		82	Label	1133-82060	1	
17	Seal	1850-21220	1		83	Muffler ass'y	1751-15101	1	
18	Screw	0260-00530	4		84	Arrester	1801-15120	1	
19	Case	1779-21160	1		85	Cover	1751-15210	1	
20	Plate	1772-58111	1		86	Screw	0260-20408	3	
21	Screw	0260-30525	4		87	Cover	1140-31111	1	
22	Piston	1140-41110	1		88	Screw	0260-00414	4	
23	Piston ring	1100-41210	2		89	Cover	1140-32211	1	
24	Piston pin	1101-41310	1		90	Screw	0260-20408	2	
25	Snap ring	1280-41320	2		91	Bracket	1750-72241	1	
26	Bearing	1140-41330	1		92	Clamp	1140-72231	1	
27	Washer	1101-41340	2		93	Spark plug	1115-73111	1	RCJ8
28	Crankshaft comp.	1150-42001	1		94	Switch ass'y	1120-72201	1	
29	Nut	1850-43230	1		95	Washer	1520-72220	1	
30	Key	1000-43240	1		96	Nut	1520-72230	1	
31	Shim	1140-43250	0-1		97	Starter ass'y	1140-75101	1	
32	Bolt	0224-30814	1		98	Reel	1140-75211	1	
33	Shoe	1140-51110	2		99	Ratchet	1130-75230	1	
34	Screw	1140-51250	2		100	Spring	1130-75220	1	
35	Spring	1122-51221	1		101	Plate	1130-75241	1	
36	Washer	1140-51230	2		102	Spring	1130-75251	1	
37	Washer	1140-51242	2		103	Screw	1130-75260	1	
38	Plate	1772-55310	1		104	Rope	1140-75311	1	
39	Rotor	1750-71110	1		105	Knob	1140-75320	1	
40	Coil	1750-71120	1		106	Spring	1140-75270	1	
41	Unit	1750-71500	1		107	Label	1710-75410	1	
42	Grommet	1140-72110	1		108	Screw	0260-30412	4	
43	Cap	1100-72213	1		109	Cable comp.	1751-82100	1	
44	Spring	1900-72120	1		110	Tank ass'y	1710-85000	1	
45	Screw	0260-20512	2		111	Cap ass'y	1801-85200	1	
46	Screw	0260-10420	2		112	Valve comp.	1800-85302	1	
47	Carburetor ass'y	1794-81000	1	WYJ-61	113	Pipe comp.	1710-85600	1	
48	Pump body	1794-81450	1		114	Filter ass'y	1850-85300	1	
49	Screen	3308-81380	1		115	Clip	1260-85460	1	
50	Inlet valve	3358-81310	1		116	Screw	1750-86120	3	
51	Spring	1794-81270	1		117	Bracket	1772-86223	1	
52	Screw	1850-81220	1		118	Screw	0260-30512	1	
53	Pin	3310-81250	1						
54	Lever	3310-81230	1						
55	Air purge body	1850-81490	1						
56	Pump cover	1850-81250	1						
57	Primer pump	1751-81510	1						
58	Metering diaphragm	3310-81260	1						
59	Gasket	1850-81470	1						
60	Pump diaphragm	1065-81420	1						
61	Gasket	1065-81410	1						
62	Jet	1850-81250	1	#43					
63	O-ring	1751-81240	1						
64	Ring	1751-81130	1						
65	Swivel	1881-81140	1		201	Puller ass'y	1140-96100	1	Optional part
66	Plug	1881-81160	1		202	Piston pin guide	1101-96220	1	Optional part

Fig. 3 CUTTER GROUP FOR CHT232B & CHT230L

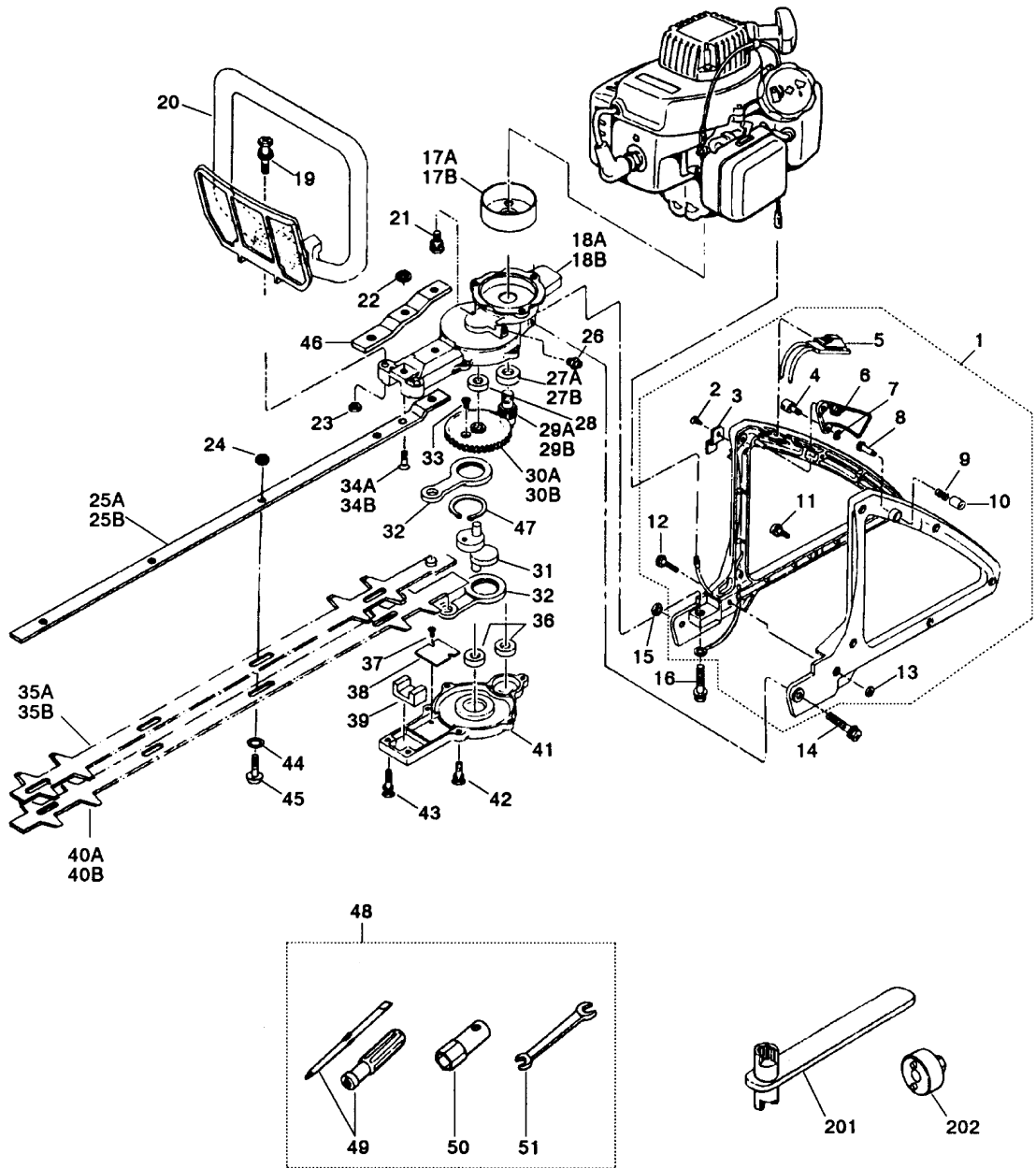


Fig.3 CUTTER GROUP FOR CHT232B & CHT232L

Key No.	Description	Part Number	Q'ty		Note
			232B	232L	
1	Rear handle ass'y	3873-13100	1	1	
2	Screw, M4x10	3873-13180	1	1	
3	Plate	3873-13170	1	1	
4	Cable end	3873-13210	1	1	
5	Switch ass'y	3873-13130	1	1	
6	Throttle lever	3873-13220	1	1	
7	Snap ring	3873-13230	1	1	
8	Pin	3873-13140	1	1	
9	Spring	3873-13150	1	1	
10	Cap	3873-13160	1	1	
11	Screw, M4x16	3873-13240	5	5	
12	Screw, M4x30	3873-13250	1	1	
13	Nut, M6	0280-10403	6	6	
14	Bolt, M6x50	0225-50650	1	1	
15	Nut, M6	0280-10805	1	1	
16	Bolt, M6x40	0225-50640	1	1	
17A	Clutch drum	3880-11410	1	—	
17B	Clutch drum	3884-11410	—	1	
18A	Middle case	3873-11110	1	—	
18B	Middle case	3929-11110	—	1	
19	Bolt, M6x35	0225-50635	2	2	
20	Front handle	3873-12101	1	1	
21	Bolt, M6x14	0225-10614	2	2	
22	Nut, M5	3880-11140	2	2	
23	Nut, M6	0280-10805	2	2	
24	Nut, M6U	3880-11790	4	5	
25A	Guide plate	3873-11610	1	—	
25B	Guide plate	3929-11610	—	1	
26	Grease fitting	3199-13350	1	1	
27A	Bearing, 6000 2RS	06004-06000	1	—	
27B	Bearing, 6001 2RS	06004-06001	—	1	
28	Bearing, 608Z	06001-00608	1	1	
29A	Pinion	3873-11420	1	—	
29B	Pinion	3884-11420	—	1	
30A	Gear	3873-11440	1	—	
30B	Gear	3884-11440	—	1	
31	Crankshaft	3886-11450	1	1	
32	Rod ass'y	3873-11500	2	2	
33	Screw, M5x10	3873-11460	1	1	
34A	Screw, M5x16	3874-11630	2	—	
34B	Screw, M5x20	3873-11630	—	2	
35A	Upper blade	3879-11720	1	—	
35B	Upper blade	3929-11720	—	1	
36	Bearing, 608Z	06001-00608	2	2	
37	Screw, M3x5	0260-00305	2	2	
38	Plate	3880-11340	1	1	
39	Felt	3873-11320	1	1	
40A	Lower blade	3879-11730	1	—	
40B	Lower blade	3929-11730	—	1	
41	Lower case	3873-11210	1	1	
42	Bolt, M5x16	0225-10516	5	5	
43	Bolt, M5x20	0225-10520	2	2	
44	Washer	3873-11760	4	5	
45	Screw, M6x19	3873-11750	4	5	
46	Plate	3876-11670	—	1	
47	Snap ring	04064-02512	1	1	
48	Tool set	1111-91003	1	1	
49	Screwdriver	1030-91340	1	1	
50	Socket, Hex 3/4"	1110-91320	1	1	
51	Spanner, 8x10	3540-91120	1	1	
201	Wrench	3880-95020	(1)	(1)	Optional part
202	Wrench	3880-95010	(1)	(1)	Optional part

Fig.4 ENGINE GROUP FOR CHT232B & CHT232L

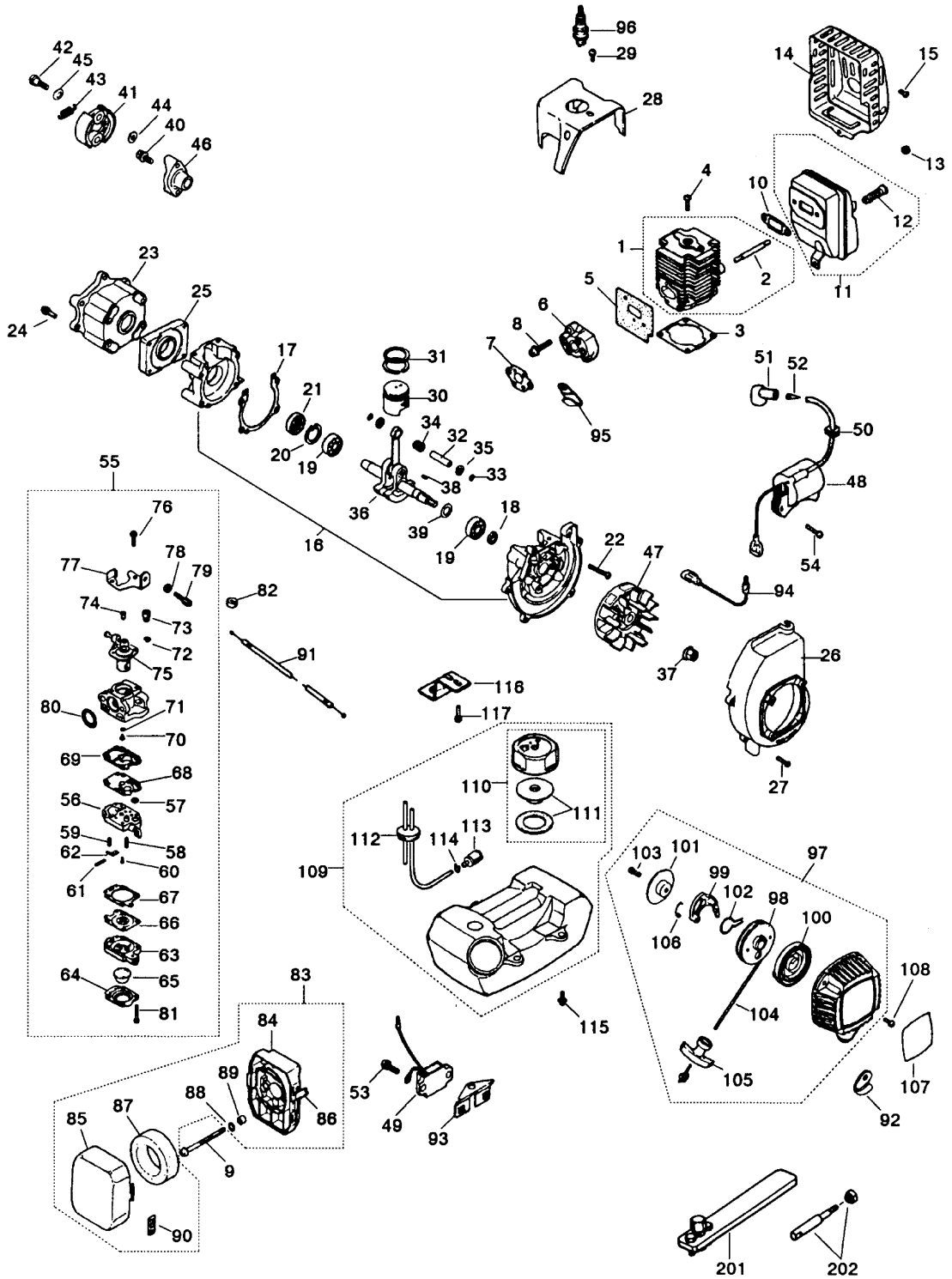


Fig.4 ENGINE GROUP FOR CHT232B & CHT232L

Key No.	Description	Part Number	Q'ty	Note	Key No.	Description	Part Number	Q'ty	Note
1	Cylinder comp.	1140-12100	1		66	Metering diaphragm	3310-81260	1	
2	Stud	1140-12150	2		67	Gasket	1850-81470	1	
3	Gasket	1140-13120	1		68	Pump diaphragm	1065-81420	1	
4	Screw	0260-10518	4		69	Gasket	1065-81410	1	
5	Gasket	1750-13150	1		70	Jet	1850-81250	1	#43
6	Insulator	1750-13161	1		71	O-ring	1751-81240	1	
7	Gasket	1750-13131	1		72	Ring	1751-81130	1	
8	Screw	0260-30520	2		73	Swivel	1881-81140	1	
9	Screw	0260-30555	2		74	Plug	1881-81160	1	
10	Gasket	1140-13140	1		75	Valve ass'y	1881-81150	1	
11	Muffler ass'y	1751-15101	1		76	Screw	1752-81110	2	
12	Spark arrester	1601-15120	1		77	Bracket	1891-81130	1	
13	Nut	3320-15310	2		78	Nut	1751-81180	1	
14	Cover	1751-15210	1		79	Screw	1918-81170	1	
15	Screw	0260-20408	3		80	Ring	1881-81130	1	
16	Crankcase comp.	1772-21100	1		81	Screw	1850-81530	4	
17	Gasket	1140-21140	1		82	Cap	1601-81810	1	
18	Seal	1140-21210	1		83	Cleaner ass'y	1751-82002	1	
19	Bearing	06030-06001	2		84	Housing	1751-82012	1	
20	Snap ring	04065-02812	1		85	Cover	1751-82041	1	
21	Seal	1850-21220	1		86	Lever	1750-82070	1	
22	Screw	0260-00530	4		87	Filter	1750-82020	1	
23	Case	1779-21160	1		88	Washer	1750-82080	1	
24	Screw	0260-30525	4		89	Sleeve	1750-82060	2	
25	Plate	1772-58111	1		90	Label	1133-82060	1	
26	Cover	1140-31111	1		91	Cable comp.	1779-82101	1	
27	Screw	0260-00414	4		92	Clamp	1140-72231	1	
28	Cover	1754-32210	1		93	Bracket	1750-72241	1	
29	Screw	0260-20408	2		94	Switch wire	1372-72250	1	
30	Piston	1140-41110	1		95	Clamp	1140-72231	1	
31	Piston ring	1100-41210	2		96	Spark plug	1115-73111	1	RCJ8
32	Piston pin	1101-41310	1		97	Starter ass'y	1140-75101	1	
33	Snap ring	1101-41320	2		98	Reel	1140-75211	1	
34	Bearing	1140-41330	1		99	Ratchet	1130-75230	1	
35	Thrust washer	1101-41340	2		100	Spring	1130-75220	1	
36	Crankshaft comp.	1150-42000	1		101	Plate	1130-75241	1	
37	Nut	1650-43230	1		102	Spring	1130-75251	1	
38	Key	1000-43240	1		103	Screw	1130-75260	1	
39	Shim	1140-43250	0-1		104	Rope	1140-75311	1	
40	Bolt	0224-30614	1		105	Knob	1140-75320	1	
41	Shoe	1140-51110	2		106	Spring	1140-75270	1	
42	Screw	1140-51250	2		107	Label	1711-75410	1	
43	Spring	1122-51221	1		108	Screw	0260-30412	4	
44	Washer	1140-51230	2		109	Tank ass'y	1710-85000	1	
45	Washer	1140-51242	2		110	Cap ass'y	1601-85200	1	
46	Plate	1772-55310	1		111	Valve comp.	1600-85302	1	
47	Rotor	1750-71110	1		112	Pipe comp.	1710-85600	1	
48	Coil	1750-71120	1		113	Filter ass'y	1850-85300	1	
49	Unit	1750-71500	1		114	Clip	1260-85460	1	
50	Grommet	1140-72110	1		115	Screw	1750-86120	3	
51	Cap	1100-72213	1		116	Bracket	1772-86223	1	
52	Spring	1900-72120	1		117	Screw	0260-30512	1	
53	Screw	0260-20512	2						
54	Screw	0260-10420	2						
55	Carburetor ass'y	1779-81001	1	WYJ-65					
56	Pump body	1794-81450	1						
57	Screen	3306-81380	1						
58	Inlet valve	3356-81310	1						
59	Spring	1794-81270	1						
60	Screw	1850-81220	1						
61	Pin	3310-81250	1						
62	Lever	3310-81230	1						
63	Air purge body	1850-81490	1						
64	Pump cover	1850-81520	1		201	Puller ass'y	1140-96100	1	Optional part
65	Primer pump	1751-81510	1		202	Piston pin guide	1101-96220	1	Optional part

**RedMax HEDGE-TRIMMER
MODELS HT232/HT232L/CHT232B/CHT232L
2-YEAR LIMITED WARRANTY**

For two(2) years of home use[one(1) year for any other use] from the date of original purchase of the model HT232, HT232L,CHT232B, or CHT232L unit, KOMATSU ZENOAH AMERICA INC.(the "Company"), through any RedMax dealer, will repair or replace, free of charge, for the original purchaser, any part or parts found to be defective in material and/or workmanship. **This is the exclusive remedy.**

The purchaser shall bear costs of transporting the unit to and from the RedMax dealers.

This warranty does not apply to those units which have been damaged by negligence of instructions listed in the Owner/Operator Manual for proper use and maintenance of the unit, accident, mishandling, alteration, abuse, improper lubrication, use of any parts or accessories other than those specified by the Company, or other causes beyond the Company's control.

This warranty does not cover those parts replaced by normal wear or harmless changes in their appearance.

There are no other express warranties.

Implied warranties including those of merchantability and fitness for a particular purpose **are limited** to one(1) year from the original purchase date.

Liabilities for incidental or consequential damages under any and all warranties are excluded.

Some states do not allow limitations on how long an implied warranty lasts or the exclusion or limitation of incidental or consequential damages, so the above limitation or exclusion may not apply to you.

This warranty gives you specific legal rights, and you may also have other rights which vary from state to state.

IMPORTANT: You will receive a Warranty Registration Card at time of purchase. Please keep the card and attach it when sending your unit in for a repair.



KOMATSU ZENOAH AMERICA INC.
1505 Pavilion Place Suite A
Norcross, Georgia 30093

Free Manuals Download Website

<http://myh66.com>

<http://usermanuals.us>

<http://www.somanuals.com>

<http://www.4manuals.cc>

<http://www.manual-lib.com>

<http://www.404manual.com>

<http://www.luxmanual.com>

<http://aubethermostatmanual.com>

Golf course search by state

<http://golfingnear.com>

Email search by domain

<http://emailbydomain.com>

Auto manuals search

<http://auto.somanuals.com>

TV manuals search

<http://tv.somanuals.com>