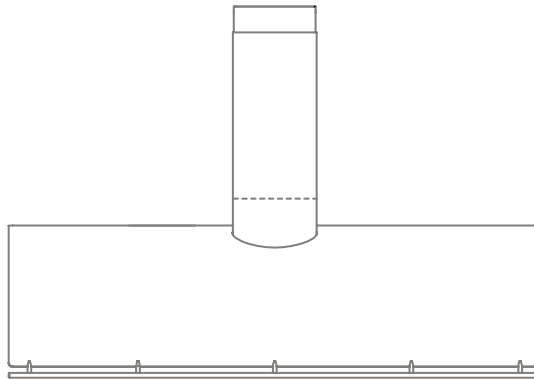


Use, Care, and Installation Guide

Okeanito

CO K-E36SX
CO K-E42SX
CO K-E48SX



Model number: _____
Serial number: _____
Date of Purchase: _____
Sales Dealer: _____

SAFETY NOTICE 2

LIST OF MATERIALS 3

INSTALLATION

 Ducting Calculation Sheet 4

 Mounting Height and Clearance 5

 Ducting 6

 Specifications 7

 Internal Blower 8 - 9

 Preparing Hood for External Blower 10 - 11

 Mounting the Hood 12 - 14

FEATURES & CONTROLS

 Controls Overview 15 - 16

MAINTENANCE

 Cleaning 17

 Lights 18

TROUBLE SHOOTING 19

LIST OF ACCESSORIES/PARTS 20

Important safety Notice

WARNING

TO REDUCE THE RISK OF FIRE OR ELECTRIC SHOCK, DO NOT USE THIS FAN WITH ANY SOLID-STATE SPEED CONTROL DEVICE.

WARNING

TO REDUCE THE RISK OF FIRE, ELECTRIC SHOCK, OR INJURY TO PERSONS, OBSERVE THE FOLLOWING:

- a. Use this unit only in the manner intended by the manufacturer, If you have questions, contact the manufacturer.
- b. Before servicing or cleaning unit, switch power off at service panel and lock the service disconnecting means to prevent power from being switched on accidentally.
When the service disconnecting means cannot be locked, securely fasten a prominent warning device, such as tag, to the service panel.

CAUTION

For General Ventilating Use Only. Do not Use to Exhaust Hazardous or Explosive Materials and Vapors. Take care when using cleaning agents or detergents. Suitable for use in household cooking area.

WARNING

TO REDUCE THE RISK OF A RANGE TOP GREASE FIRE:

- a. Never leave surface units unattended at high settings. Boilovers cause smoking and greasy spillovers that may ignite. Heat oils slowly on low or medium settings.
- b. Always turn hood ON when cooking at high heat or when cooking flambeing food (i.e. Crepes Suzette, Cherries Jubilee, Peppercorn Beef Flambe)
- c. Clean ventilating fans frequently Grease should not be allowed to accumulate on fan or filter.
- d. Use proper pan size. Always use cookware appropriate for the size of the surface element.

WARNING

TO REDUCE THE RISK OF INJURY TO PERSONS IN THE EVENT OF A RANGE TOP GREASE FIRE, OBSERVE THE FOLLOWING:

- a. SMOTHER FLAMES with a close-fitting lid, cookie sheet, or metal tray, then turn off the burner. BE CAREFUL TO PREVENT BURNS. If the flames do not go out immediately, EVACUATE AND CALL THE FIRE DEPARTMENT.
- b. NEVER PICK UP A FLAMING PAN - You may be burned.
- c. DO NOT USE WATER, including wet dishcloths or towels - a violent steam explosion will result.
- d. Use an extinguisher ONLY if:
 1. You know you have a class ABC extinguisher, and you already know how to operate it.
 2. The fire is small and contained in the area where it started.
 3. The fire department is being called.
 4. You can fight the fire with your back to an exit.
 5. Based on "Kitchen Fire Safety Tips" published by NFPA.

WARNING

TO REDUCE THE RISK OF FIRE, ELECTRIC SHOCK OR INJURY TO PERSONS, OBSERVE THE FOLLOWING:

- a. Installation Work and Electrical Wiring Must be Done by Qualified Person (s) In Accordance with all Applicable Codes and Standards, Including Fire-Rated Construction.
- b. Sufficient air is needed for proper combustion and exhausting of gases through the flue (chimney) of fuel burning equipment to prevent back drafting. Follow the heating equipment manufacturer's guideline and safety standards such as those published by the National Fire Protection Association (NFPA), and the American Society for Heating, Refrigeration, and Air Conditioning Engineers (ASHRAE) and the local code authorities
- c. When cutting or drilling into wall or ceiling, do not damage electrical wiring and other hidden utilities.
- d. Ducted fans must always vent to the outdoors.

WARNING

TO REDUCE THE RISK OF FIRE, USE ONLY METAL DUCTWORK.

CAUTION

To reduce risk of fire and to properly exhaust air, be sure to duct air outside - Do not vent exhaust air into spaces within walls or ceilings or into attics, crawl spaces or garages.

CAUTION

To Reduce the Risk of Fire and Electric Shock, Install This Range Hood Only with Remote Blower Models CBE-1000 Rated Maximum 6.2 amp, 120 Vac 60Hz or Integral Blowers Manufactured by Zephyr Ventilation, Models CB1-600.

MODEL: COK-ExxS

- 1 - Hood
- 1 - Baffle Filter (2 on 48" model)
- 2 - 50W 120V Halogen Light Bulbs GU-10
- 2 - 40W 120V Appliance Bulbs
- 1 - Utensil Rail
- 2 - Telescopic Duct Covers
- 1 - Ceiling Mounting Bracket (pre attached to duct cover)
- 1 - Wall Mounting Bracket

1 - HARDWARE PACKET

- 7 - 2" Wood Screws
- 7 - Anchors
- 7 - 1/2" Washers
- 4 - 1/2" Screws 5x15mm
- 4 - 10mm Washers
- 1 - SMALL HARDWARE PACKET
 - 1 - Tool
 - 3 - Short Set Screws (4 on 48" Model)

1 - HARDWARE PACKET, EXTERNAL BLOWER KIT



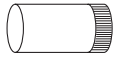
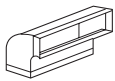
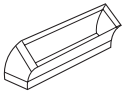
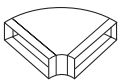

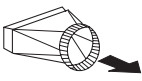
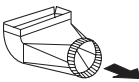

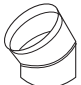
- 1 - 8" Collar
- 1 - External Blower Wiring Box with Wires
- 10 - 1/2" Self Tapping Screws
- 10 - 4mm Internal Diameter Washers

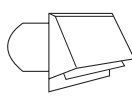

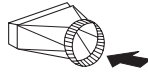
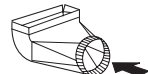
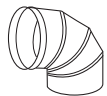

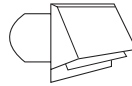

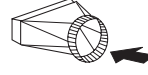
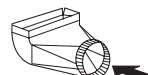
NO DUCTING IS PROVIDED

EXTERNAL AND INTERNAL BLOWER SOLD SEPARATELY

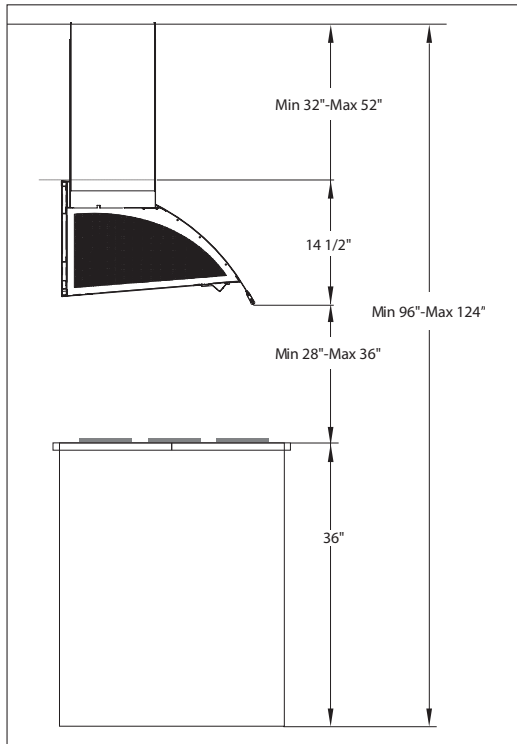
Make sure to remove the protective film off of the hood before installation in order to make removal of the film easier. Be careful not to scratch the stainless steel while installing.

Installation - Ductwork Calculation Sheet

Duct pieces		Equivalent number length x used =	Total
	3 1/4" x 10" Rect., straight	1 Ft. x () =	Ft.
	7" Round, straight	1 Ft. x () =	Ft.
	7" Round, straight	1 Ft. x () =	Ft.
	3 1/4" x 10" Rect. 90° elbow	15 Ft. x () =	Ft.
	3 1/4" x 10" Rect. 45° elbow	9 Ft. x () =	Ft.
	3 1/4" x 10" Rect. 90° flat elbow	24 Ft. x () =	Ft.
	3 1/4" x 10" Rect. wall cap with damper	30 Ft. x () =	Ft.
	3 1/4" x 10" Rect. to 6" round transition	5 Ft. x () =	Ft.
	3 1/4" x 10" Rect. to 6" round transition 90° elbow	15 Ft. x () =	Ft.
	6" Round, 90° elbow	15 Ft. x () =	Ft.
	6" Round, 45° elbow	9 Ft. x () =	Ft.
Subtotal column 1 =			Ft.

Duct pieces		Equivalent number length x used =	Total
	6" Round wall cap with damper	30 Ft. x () =	Ft.
	6" Round, roof cap	30 Ft. x () =	Ft.
	6" round to 3 1/4" x 10" rect. transition	1 Ft. x () =	Ft.
	6" round to 3 1/4" x 10" rect. transition 90° elbow	16 Ft. x () =	Ft.
	7" Round, 90° elbow	15 Ft. x () =	Ft.
	7" Round, 45° elbow	9 Ft. x () =	Ft.
	7" Round wall cap with damper	30 Ft. x () =	Ft.
	7" Round, roof cap	30 Ft. x () =	Ft.
	7" round to 3 1/4" x 10" rect. transition	8 Ft. x () =	Ft.
	7" round to 3 1/4" x 10" rect. transition 90° elbow	15 Ft. x () =	Ft.
Subtotal column 2 =			Ft.
Subtotal column 1 =			Ft.
Total ductwork =			Ft.

Maximum Duct Length: For satisfactory air movement, the total duct length of a 3 1/4" x 10" rectangular, 6" or 7" diameter round duct should not exceed 100 equivalent feet.



Minimum mount height between range top to hood bottom should be no less than 28".

Maximum mount height should be no higher than 36".

It is important to install the hood at the proper mounting height. Hoods mounted too low could result in heat damage and fire hazard; while hoods mounted too high will be hard to reach and will lose its performance and efficiency.

If available, also refer to range manufacturer's height clearance requirements and recommended hood mounting height above range. Always check your local codes for any differences.

*Minimum ceiling height of 96". Hood mounted at 28" above cooking surface.

** Maximum ceiling height of 124". Hood mounted at 36" above cooking surface.

Minimum Duct Size:

Round - 6" minimum at 600 cfm
 Round - 10" to 8" minimum at 1000 cfm
 Rect angular - 3 1/4" x 10" minimum only if using internal blower at 600 cfm. Using rectangular ductwork will require a transition adapter (not provided, but readily available at most hardware stores).

DAMAGE-SHIPMENT / INSTALLATION:

- Please fully inspect unit for damage before installation.
- If the unit is damaged in shipment , return the unit to the store in which it was bought for repair or replacement.
- If the unit is damaged by the customer , repair or replacement is the responsibility of the customer.
- If the unit is damaged by the installer (if other than the customer), repair or replacement must be made by arrangement between customer and installer.

DUCTING

A minimum of 6" round or 3-1/4 x 10" rectangular duct work must be used to maintain maximum air flow efficiency with the 600 cfm internal blower A minimum of 10"to 8" round must be used with the 1000 cfm external blower.

Always use rigid type metal duct work only. Flexible ducts could restrict air flow by up to 50%.

Use calculation worksheet to compute total duct work.

ALWAYS, when possible, reduce the number or transitions and turns. If a reducer is used, install a long reducer instead of a pancake reducer. Reduce duct size as far away from opening as possible.

If turns or transitions are required: Install as far away from opening and as far apart, between 2, as possible.

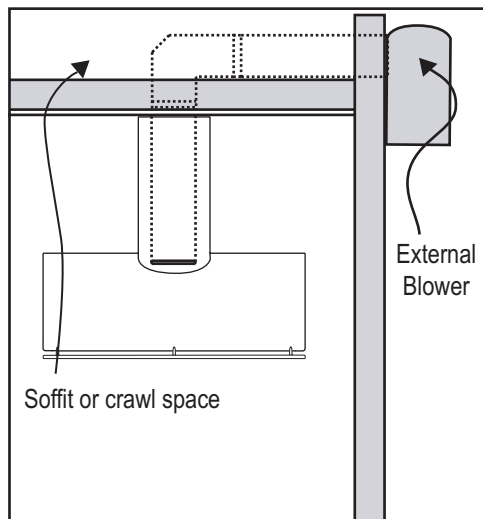
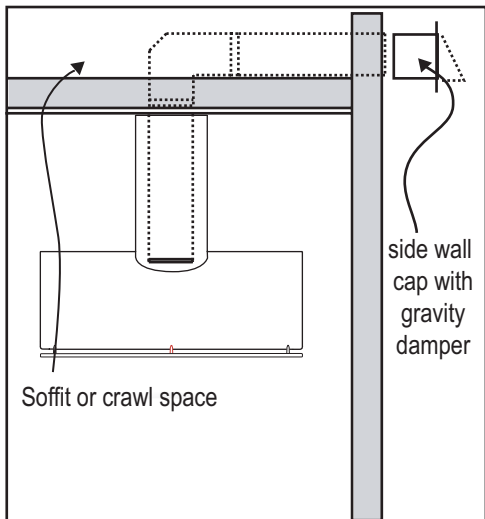
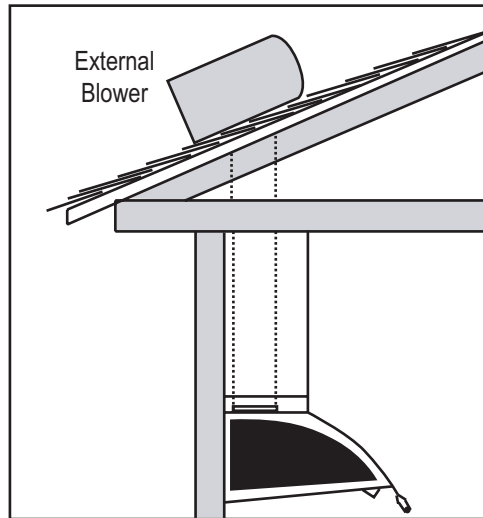
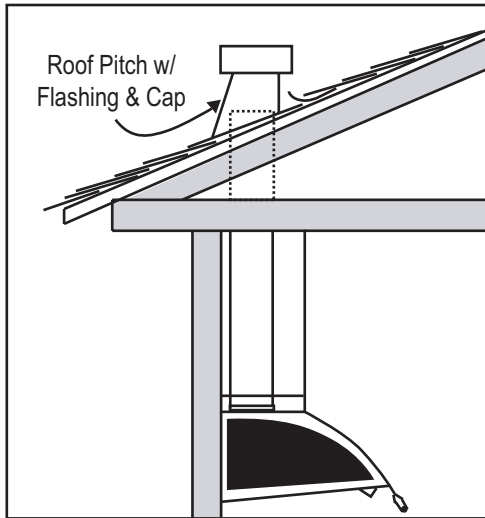
WARNING FIRE HAZARD

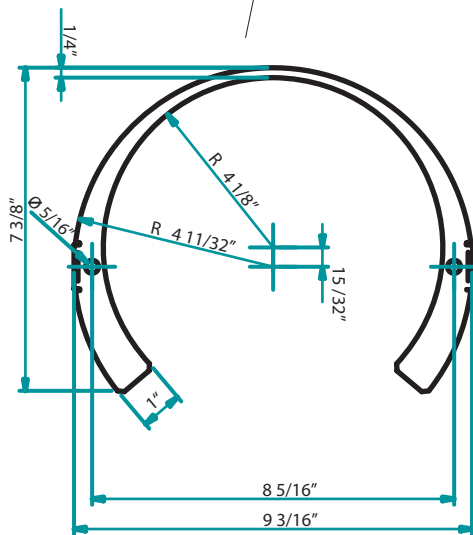
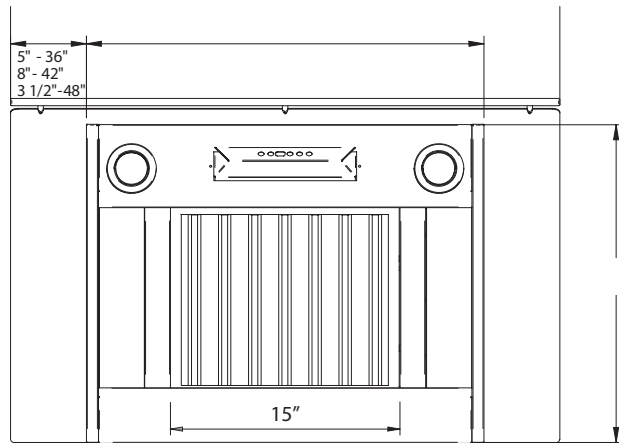
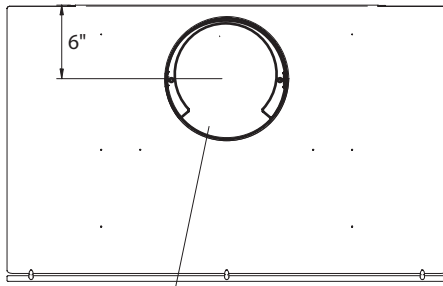
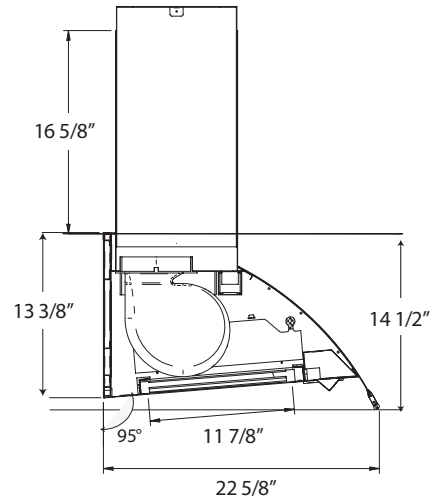
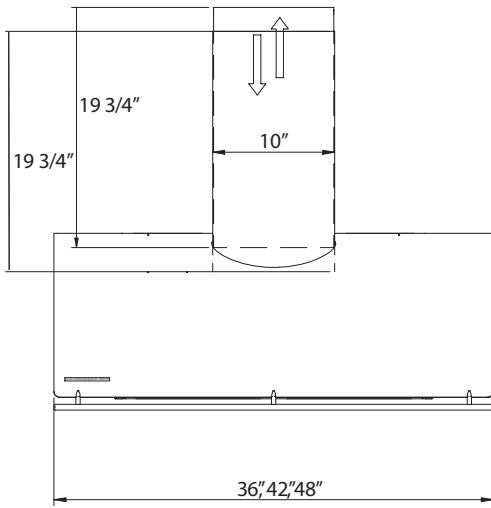
NEVER exhaust air or terminate duct work into spaces between walls, crawl spaces, ceiling, attics, or garages. All exhaust must be ducted to the outside.

Use single wall rigid Metal ductwork only.

Fasten all connections with sheet metal screws and tape all joints w/ certified Silver Tape or DuctTape.

Some Ducting Options:





Installation - Specifications

Installation - Internal Blower

ATTENTION

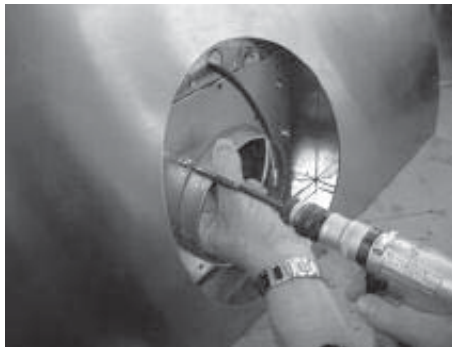
The following are instructions for installing internal blower model CBI-600. For instructions on preparing for external blower model CBE-1000 please turn to page "10". Before installing, verify that motor spins freely.



The internal blower kit consists of the blower and capacitor box with wiring.



1. Position blower as shown.



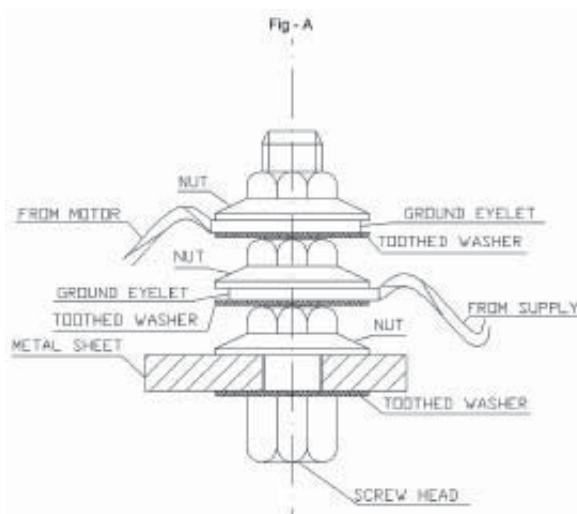
2. Attach blower to flange as shown using the provided 1/2" 5x15mm screws with washers.



3. Position capacitor box as shown.



4. Secure capacitor box to hood using the provided 1/2" self tapping screws.





5. Remove existing grounding screw and attach grounding wire from capacitor box.



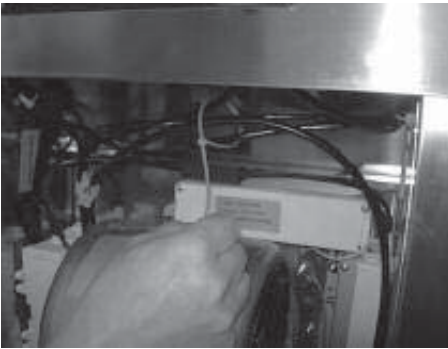
6. Re-attach grounding screw to finish installation of capacitor box. Refer to Fig-A on previous page.



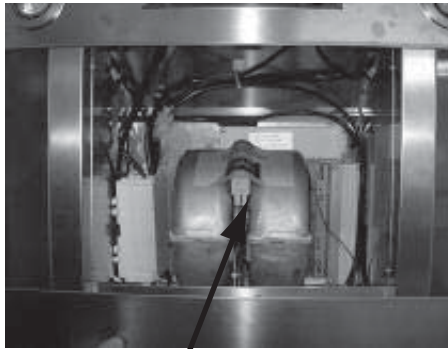
7. Attach short capacitor connector to blower connector.



8. Attach long capacitor connector to control board connector.



9. Use plastic tie to hold wiring together.



10. Remove wood block
Final view of internal blower install.

Continue to page "12" for hood installation instructions.

Installation - Preparing External Blower

ATTENTION

The following are instructions on preparing your hood for installation with external blower model CBE-1000. For instructions on installing internal blower model CBI-600 please turn to page "8".

NOTE: Please refer to the CBE-1000 manual for external blower mounting instructions.



The external blower kit consists of an 8" collar, and external blower wiring box. The external blower is purchased separately.



1. Remove screws from internal flange.



2. Remove internal flange from hood.



3. Position 8" collar as shown.



4. Attach 8" collar to hood as shown using provided 1/2" self tapping screws.



5. Attach external blower wiring box to top of hood using provided 1/2" self tapping screws.



6. Position cover onto external blower wiring box.



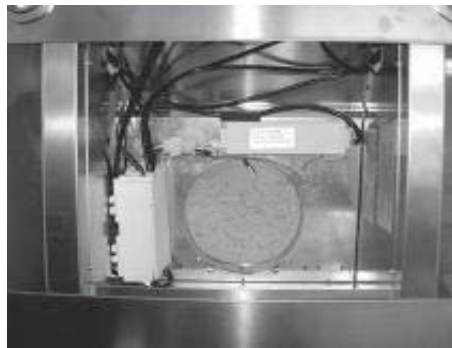
7. Secure cover to box with provided screw.



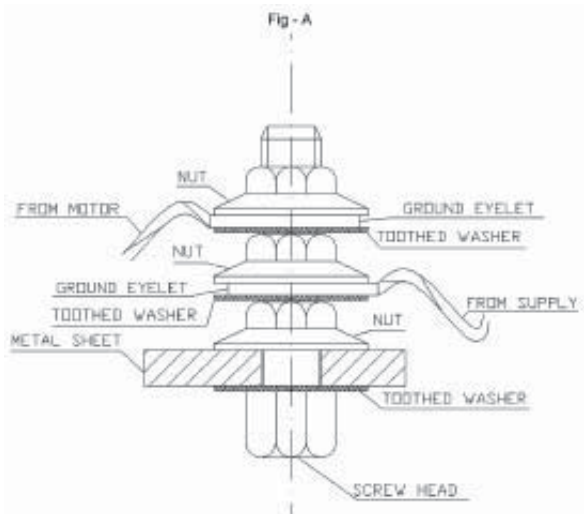
8. Attach connector from external blower wiring box to control board box connector inside hood.



9. Attach grounding wire from external blower wiring box to grounding screw of the junction box. Refer on Fig-A in diagram below .

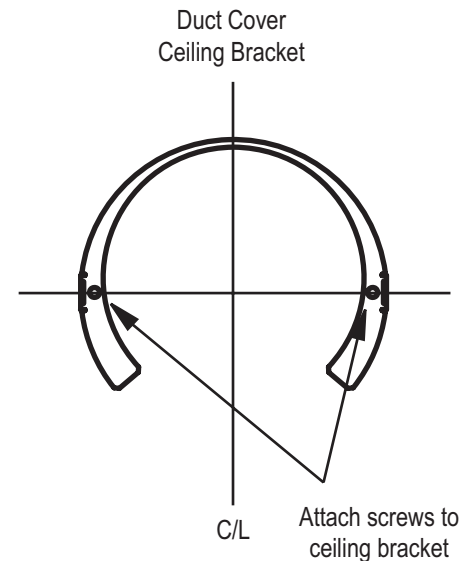
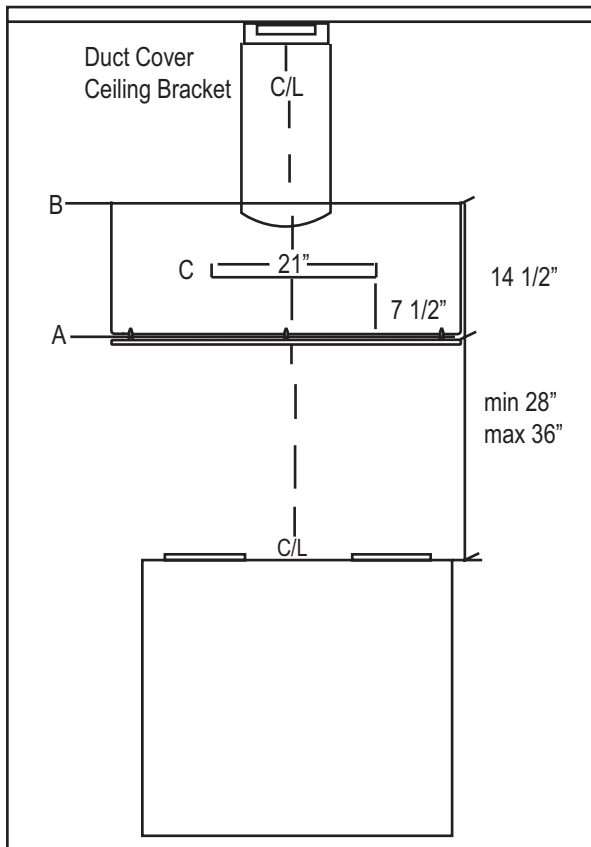


10. Final view of external blower preparation



Continue to page "12" for hood installation instructions.
For external blower installation please refer to the manual included with the external blower.

Installation - Preparing Hood



1. Measure from cooking surface to hood bottom, level and mark line A.
2. Plum and mark center line.
3. Mark mounting height, line B (14 1/2" from line A). This is the top of the hood.
4. Measure up, 7 1/2" from line A and mark mounting spread from C/L Line C. (21")
5. Follow center line up to the ceiling, measure and mark 6" from the wall. Make sure the spot you mark is still on the center line. This is where the center of the duct cover ceiling bracket will mount.
6. Place duct cover ceiling bracket onto ceiling and mark the (2) holes where screws will be attached. If attaching bracket to drywall only, drill and insert provided anchors into the marked holes. Cut out inside diameter of the ceiling bracket to fit the 6" or 8" round duct work. Attach bracket to ceiling with (2) screws provided.
7. Prepare duct work and electrical.

All Electrical work must be performed by a qualified electrician or person with similar technical know and background.

For personal safety, remove house fuse or open circuit breaker before beginning installation.

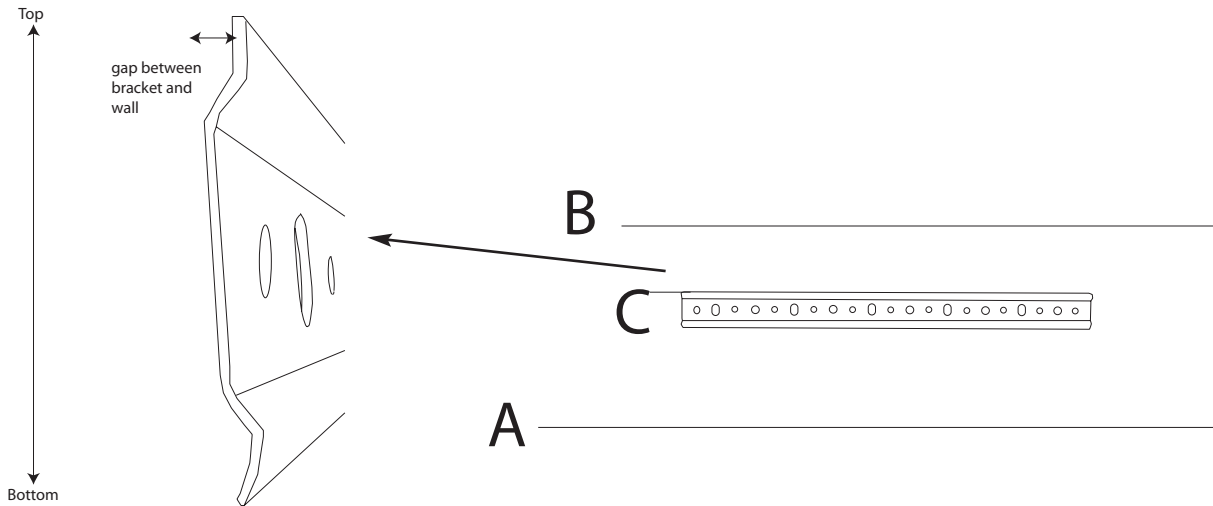
Do not use extension cords or adapter plug with this appliance.

Follow National Electrical Codes or prevailing local codes and ordinances.

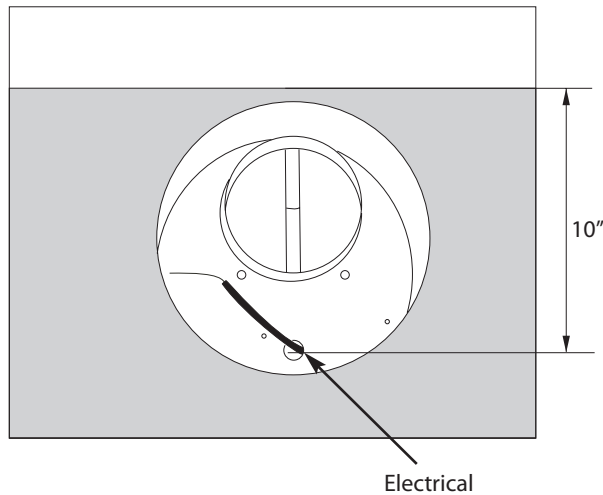
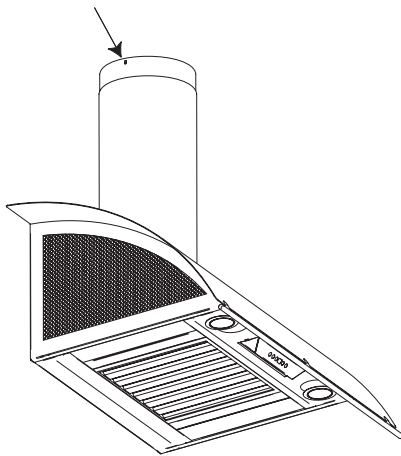
Electrical Supply:

This appliance requires a 120V 60Hz electrical supply, and connected to an individual, properly grounded branch circuit, protected by a 15 or 20 ampere circuit breaker or time delay fuse. Wiring must be 2 wire with ground. Please refer to Electrical Diagram labeled on product.

ELECTRICAL - WARNING



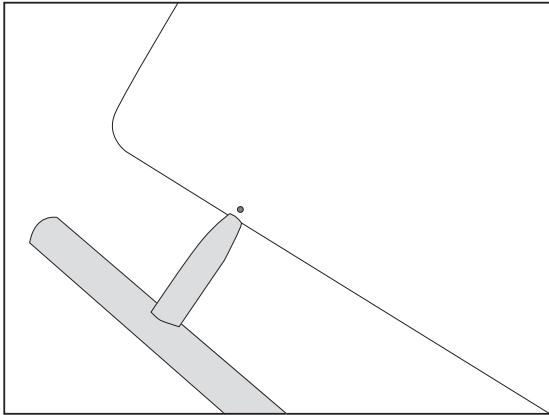
Attach screws to both sides of the duct covers and secure to ceiling bracket.



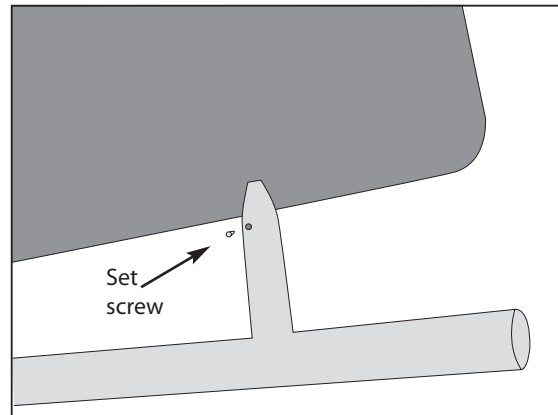
1. Place wall bracket on line C. Position top of wall bracket so it is even with the 21" mounting spread. Make sure bracket is attached to wall as shown in the diagram. The top of the wall bracket should have a gap between it and the wall. The bottom should be flush against the wall. Use (3) 2" wood screws to attach bracket to wall. Use anchors if not mounting to studs.
2. Lift hood onto wall bracket, there is a lip on the back of the hood which will rest on the wall bracket. Secure in place by *screwing (2) screws with washers through hood into the wall. There are two holes at the bottom inside the hood in which to do this.
3. Place telescopic duct covers on top of hood and extend top duct cover to the ceiling bracket. Attach duct cover to ceiling bracket with the provided screws.
4. Run duct work down to top of motor. Attach electrical wiring from ceiling to wiring on top of motor housing. (slide duct cover up towards ceiling to gain access to the motor housing)

* **Note** if installing onto drywall only with no wall studs present, attach EZ anchors (not provided) into the wall. Please see page 15 for external blower installation instructions.

Installation - Attaching Utensil Rail

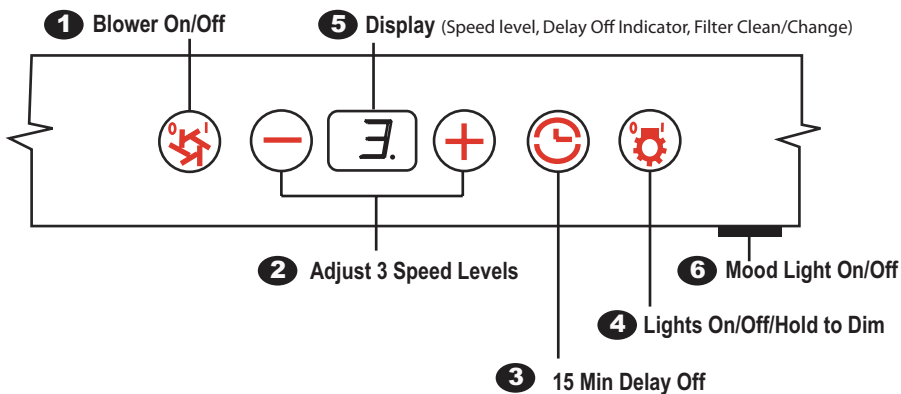


Front



Back

1. Attach utensil rail to hood canopy. A small hole has been pre-drilled into the canopy to provide a starting point to attach the first utensil rail post. After the first post is lined up with the hole, gently slide the rest of the rail onto the canopy. (note: be careful not to scratch the stainless steel when performing this step, this is why there is a starter hole).
2. Attach a short set screw into each post in order to hold utensil rail onto canopy


**1. Blower On/Off**

By pressing , the blower is switched On and Off.

2. Speed Selection

The 3 speed levels are selected by pressing  to decrease and  to increase speed level. The display indicates level selected.

3. Delay Off

This is used for programmed shut down of blower and lights 15 minutes after the function is activated. Press once, a dot flashes in the lower right hand side of display  indicating the function is on. The hood will completely shut down in 15 minutes.


4. Lights On/Off/Dim

Switch lights On and Off by pressing  once. To dim lights, press  again.

5. Advance Display Functions**6. Mood Light On/Off**


This switch turns the mood lights On and Off. Press IN to turn on, press again to turn OFF.

Filters Clean Reminder (Metal):


After every 30 hours of use, the display will start flashing an  reminding you to clean the baffle filters from residue and possible clogs.

The standard Baffle Filters are required to be cleaned frequently and as recommended in order to maintain blower efficiency. If improperly maintained, residue from cooking will sift through filters and cause damage to hood blowers and other sensitive components; and possibly clog duct work and create a fire hazard.

Filter Clean Reminder (Standard Baffle Filters fitted):

A set of baffle filters are fitted by the factory. These Baffle Filters are intended to filter out residue from cooking. They need not be replaced on a regular basis but are required to be kept clean. The Filter Clean Reminder function in the microprocessor will automatically indicate by a  flashing when the metal filters need to be cleaned after every 30 hrs. of use. Filters can be cleaned by hand with non-abrasive soap or in a dishwasher.

Filter Clean Reminder:



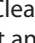
When  flashes on display, the baffle filters installed are required to be cleaned. This will occur after every 30 hours of use.

| Clean Filters |

display <A> flashes



Re-setting Function:

Reset the Filter Clean Reminder timer when filters are cleaned and re-installed (with hood off). Press and hold  for approx. 5 seconds, the display will appear; hold for approximately 5 seconds until  on display disappears  The Filter Clean Reminder function is now re-set and a new 30 hours elapse cycle is initiated.

| To Reset |

hold 5 secs.



display from <C> to < >



Maintenance - Cleaning

Surface Maintenance:

Clean periodically with hot soapy water and clean cotton cloth. Do not use corrosive or abrasive detergent, or steel wool/scouring pads which will scratch and damage surface.

For heavier soil use liquid degreaser.

After cleaning, you may use non-abrasive stainless steel polish/ cleaners, to polish and buff out the stainless luster and grain. Always scrub lightly with clean cotton cloth, and with the grain.

Do not use any product containing chlorine bleach. Do not use "orange" cleaners.

Baffle Filters

The Metal Filters fitted by the factory are intended to filter out residue and grease from cooking. They need not be replaced on a regular basis but are required to be kept clean.

Filters should be cleaned after every 30 hours of use. Use the Filter Clean Reminder function on the controls to determine when filters require cleaning.

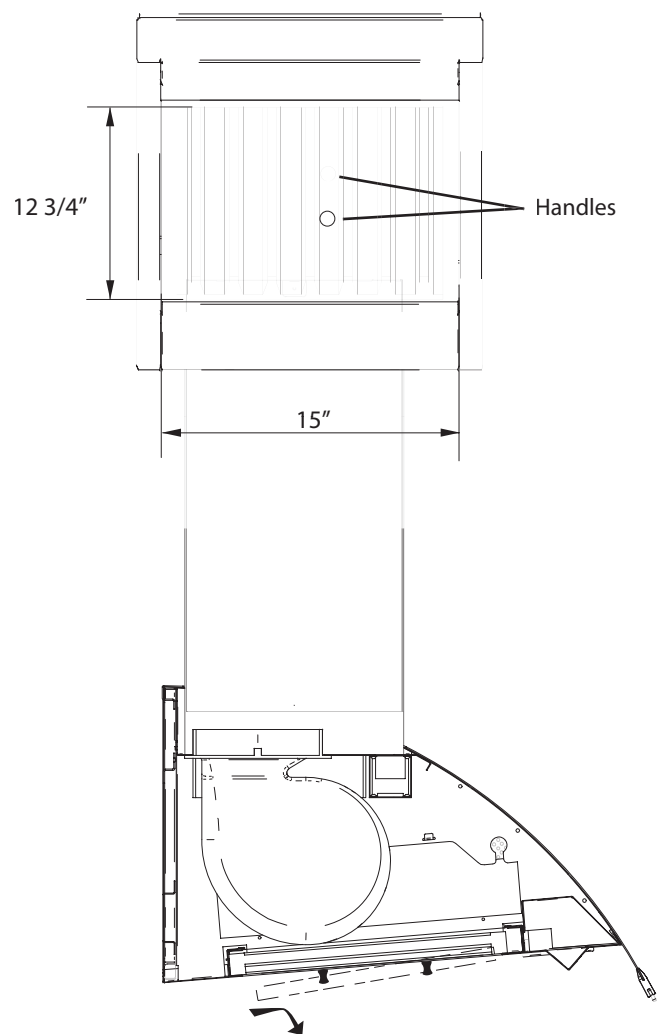
Remove filter by sliding towards you and pulling down (Fig. 1).

Remove and clean by hand or in dishwasher. Spray degreasing detergent and leave to soak if heavily soiled.

Dry filters and re-install before using hood.

Replacing Baffle Filters

Should filters wear out due to age and prolonged use, contact Zephyr to purchase replacements.



(Fig. 1)

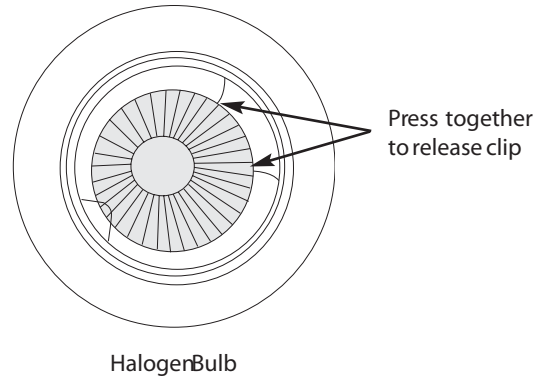
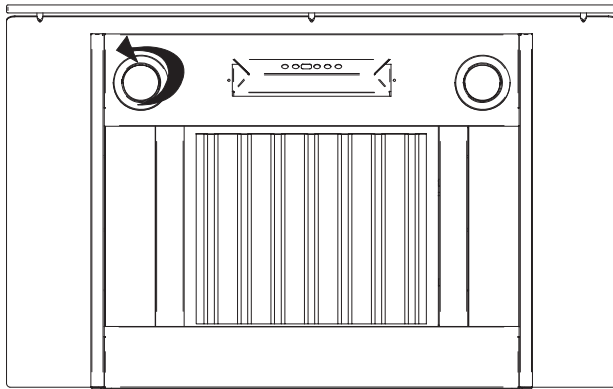
Replacing Light Bulbs:

CAUTION: Light bulbs become extremely hot when turned on. DO NOT touch bulbs until switched off and cooled. Touching hot bulbs may cause serious burns.

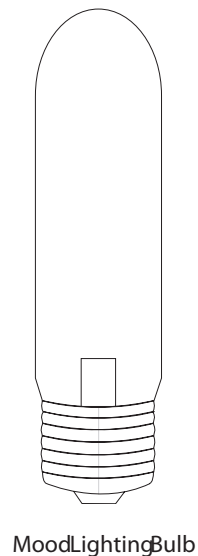
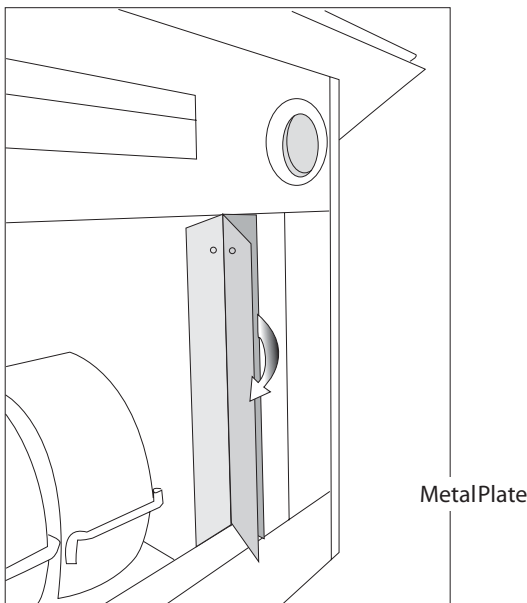
Make sure all power is turned off and bulbs are not hot.

Remove bulb by pressing both ends of the metal retaining clip together, the light socket will now protrude from the hood allowing you to remove the bulb. (Be careful when releasing retain clip as it is under pressure to hold it in place)

Replacement halogen bulbs are available at most stores which sell light bulbs. Purchase type GU-10, 120 V, 50 W.



To replace mood lighting bulb, remove baffle filter from hood. Lift up the metal plate which is inside the hood on the left and right sides. It is held on with two philips head screws. Unscrew mood lighting bulb counter-clockwise and replace with a standard 40W, 125V-1 30V medium base bulb.



Trouble Shooting

Issue	Cause	What to do
After installation, the unit doesn't work?	1. The power source is not turned ON.	1. Make sure the circuit breaker and the unit's power is ON.
	2. The power line and the cable locking connector is not connecting properly.	2. Check the power connection with the unit is connected properly.
	3. The switch board and control board wirings are disconnected.	3. Make sure the wirings between the switch board and control board are connected properly.
	4. On the switch board, Black/White wire of White wire is disconnected.	4. Make sure the Black/White wire or White wire connects properly.
	5. The switch board or control board is defective.	5. Change the switch board or control board.
Light works, but motor is not turning.	1. The motor is defective, possible seized.	1. Change the motor.
	2. The thermally protected system detects if the motor is too hot to operate and shuts the motor down.	2. The motor will function properly after the thermally protected system cool down.
	3. Damaged capacitor.	3. Change the capacitor.
The unit is vibrating.	1. The motor is not secure in place.	1. Tighten the motor in place.
	2. Damaged blower wheel/makes noise.	2. Change the motor.
	3. The hood is not secured in place.	3. Check the installation of the hood.
The motor is working, but the lights are not.	1. Defective halogen bulb.	1. Change the halogen bulb.
	2. The light bulb is loose.	2. Tighten the light bulb.
The hood is not venting out properly.	1. The hood might be hanging too high from the cook top.	1. Adjust the distance between the cook top and the bottom of the hood within 24" and 32" range.
	2. The wind from the opened windows or opened doors in the surrounding area are affecting the ventilation of the hood.	2. Close all the windows and doors to eliminate the outside wind flow
	3. Blocking in the duct opening or ductwork.	3. Remove all the blocking from the duct work or duct opening.
	4. The direction of duct opening is against the wind.	4. Adjust the duct opening direction.
	5. Using the wrong size of ducting.	5. Change the ducting to at least 6" or higher for the internal blower and 8" or higher for the external blower.
Filter is vibrating.	1. Baffle filter is loose.	1. Remove filter and reinstall it or change the baffle filter.
After hood has been installed for a period of time, it stopped working.	1. Control board needs to be reset.	1. Turn circuit breaker which controls the hood off for at least 15 minutes. Turn it back on and this should fix the problem.
	1. Defective control board.	1. Replace control board.

List of Parts and Accessories

Part Description	Part#
Halogen Bulb GU-10, 120V, 50W	Z0B-0020
Incadescent Bulb T29 127V 40 W	Z0B-0003

Accessory Description	Part#
Internal Blower, 600 cfm	CBI-600
External Blower, 1000 cfm	CBE-1000
Duct Cover Extension Kit	Z1C-000K

TO OBTAIN SERVICE UNDER WARRANTY
or any Service Related Questions, please call:
1-888-880-8368

Staple your receipt here.
Proof of the original purchase
date is needed to obtain service
under the warranty.

TO OBTAIN SERVICE UNDER WARRANTY: You must present proof of original purchase date.
Please keep a copy of your dated proof of purchase (sales slip) in order to obtain service under warranty.

One Year Service Repair Warranty:

For one year from date of original purchase, we will provide free of charge, service labor to repair any failed parts or components due to manufacturing defects.

Two Years Parts Warranty:

For two years from date of original purchase, we will provide free of charge, nonconsumable replacement parts or components that failed due to manufacturing defects. Consumable parts not covered by this warranty include: Light Bulbs, Metal and Charcoal Filters.

Who is Covered:

This warranty is extended to the original purchaser for products purchased for ordinary home use in the 48 mainland states, Hawaii and Washington D.C. In Canada and Alaska, this warranty is Limited. There might be costs associated with shipping the products to our designated service locations or you might need to pay service technician's travel costs, to have the appliance repaired in-home.

This Warranty will be Voided when:

Product damaged through negligence, misuse, abuse, accident. Improper installation and failure to follow installation instructions. When product is used commercially or other than its intended purpose. Damaged because of improper connection with equipment of other manufacturers. Repaired or modified by anyone other than Zephyr's Authorized Agents.

What is Not Covered:

Consumable parts such as light bulbs, filters, and fuses. Services outside of service area and the labor cost incurred in connection with the removal, shipping and reinstallation cost, nor does it cover any other contingent expenses. The natural wear of finish, and wear due to improper maintenance, use of corrosive and abrasive cleaning products, pads, and oven cleaner products. Chips, dents or cracks due to abuse, misuse, freight damage, or improper installation. Service trips to your home to teach you how to use the product. Damage of product caused by accident, fire, floods or act of God.

This warranty is valid in the United States and Canada. It is non-transferable and applies only to the original purchaser and does not extend to subsequent owners of this product. Any applicable implied warranties, including the warranty of merchantability, are limited in duration to a period of express warranty as provided herein beginning with the date of original purchase at retail and, no warranties, whether express or implied, shall apply to this product thereafter.

Have your product proof of purchase with date ready for warranty issues.
Or write to:

**Zephyr Corporation
Service and Warranty Department
395 Mendell Street
San Francisco, CA 94124**

Free Manuals Download Website

<http://myh66.com>

<http://usermanuals.us>

<http://www.somanuals.com>

<http://www.4manuals.cc>

<http://www.manual-lib.com>

<http://www.404manual.com>

<http://www.luxmanual.com>

<http://aubethermostatmanual.com>

Golf course search by state

<http://golfingnear.com>

Email search by domain

<http://emailbydomain.com>

Auto manuals search

<http://auto.somanuals.com>

TV manuals search

<http://tv.somanuals.com>