

Use, Care, and Installation Guide

Savona Wall

ZSA-E30BB

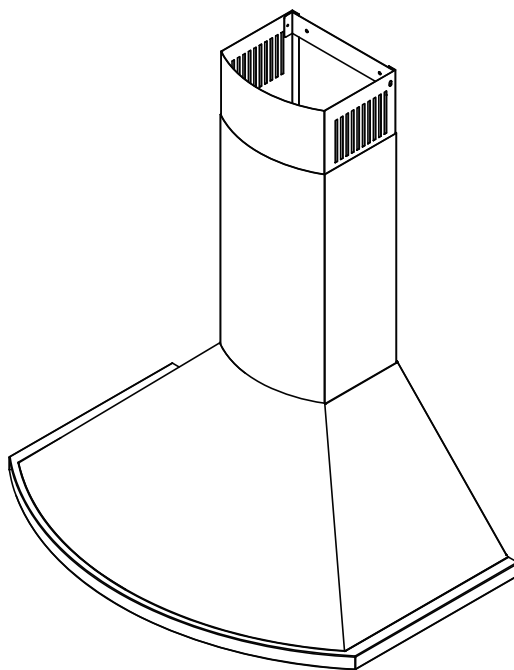
ZSA-E30BS

ZSA-M90BB

ZSA-M90BS

ZSA-E30BS290

ZSA-M90BS290



Model number: _____

Serial Number: _____



| | |
|--|-----|
| SAFETY NOTICE | 2-3 |
| LIST OF MATERIALS | 4 |
| INSTALLATION | |
| Ducting Calculation Sheet..... | 5 |
| Mounting Height & Clearance..... | 6 |
| Ducting Options | 7 |
| Hood Specifications | 8 |
| Mounting the Hood..... | 9 |
| Ductless Recirculating | 10 |
| FEATURES & CONTROLS | |
| Electronic LED Controls..... | 11 |
| MAINTENANCE | |
| Hood and Filter Cleaning..... | 12 |
| Light Bulbs | 13 |
| TROUBLESHOOTING | 14 |
| WIRING DIAGRAMS | 15 |
| LIST OF PARTS AND ACCESSORIES | 16 |

Important Safety Notice

WARNING

TO REDUCE THE RISK OF FIRE OR ELECTRIC SHOCK, DO NOT USE THIS FAN WITH ANY SOLID-STATE CONTROL DEVICE.

WARNING

TO REDUCE THE RISK OF FIRE ELECTRIC SHOCK, OR INJURY TO PERSONS, OBSERVE THE FOLLOWING:

- a. Use this unit only in the manner intended by the manufacturer, if you have questions, contact the manufacturer.
- b. Before servicing or cleaning unit, switch power off at service panel and lock panel to prevent power from being switched on accidentally. When the service disconnecting means cannot be locked, securely fasten a prominent warning device, such as a tag, to the service panel.

CAUTION

For general ventilating use only. Do not use to exhaust hazardous or explosive materials and vapors. Take care when using cleaning agents or detergents. Suitable for use in household cooking area.

WARNING

TO REDUCE THE RISK OF RANGE TOP GREASE FIRE:

- a. Never leave surface units unattended at high settings. Boilovers cause smoking and greasy spillovers that may ignite. Heat oils slowly on low or medium settings.
- b. Always turn hood ON when cooking at high heat or when flaming food
- c. Clean ventilating fans frequently. Grease should not be allowed to accumulate on fan or filter.
- d. Use proper pan size. Always use cookware appropriate for the size of the surface element.
- e. Keep fan, filters and grease laden surfaces clean.
- f. Use high setting on hood only when necessary.
- g. Don't leave hood unattended when cooking.
- h. Always use cookware and utensils appropriate for the type of and amount of food being prepared.

WARNING

TO REDUCE THE RISK OF INJURY TO PERSONS IN THE EVENT OF A RANGE TOP FIRE, OBSERVE THE FOLLOWING:

- a. SMOTHER FLAMES with a close-fitting lid, cookie sheet, or metal tray, then turn off the burner. BE CAREFUL TO PREVENT BURNS. If the flames do not go out immediately, EVACUATE AND CALL THE FIRE DEPARTMENT.
- b. NEVER PICK UP A FLAMING PAN – You may be burned.
- c. DO NOT USE WATER, including wet dishcloths or towels – a violent steam explosion will result.
- d. Use an extinguisher ONLY if:
 - 1. You know you have a Class ABC extinguisher, and you already know how to operate it.
 - 2. The fire is small and contained in the area where it started.
 - 3. The fire department is being called.
 - 4. You can fight the fire with your back to an exit

WARNING

TO REDUCE THE RISK OF FIRE, ELECTRIC SHOCK OR INJURY TO PERSONS, OBSERVE THE FOLLOWING:

- a. Installation work and electrical wiring must be done by qualified person(s) in accordance with all applicable codes and standards. Including fire-rated construction.
- b. Sufficient air is needed for power combustion and exhausting of gases through the flue (chimney) of fuel burning equipment to prevent back-drafting. Follow the heating equipment manufacturer's guideline and safety standards such as those published by the National Fire Protection Association (NFPA) and the American Society for Heating, Refrigeration and Air Conditioning Engineers (ASHRAE) and the local code authorities.
- c. When cutting or drilling into wall or ceiling, do not damage electrical wiring and other hidden utilities.
- d. Ducted fans must always vent to the outdoors.
- e. NEVER place a switch where it can be reached from a tub or shower.
- f. Make sure the power is off before installing, wiring or maintenancing.

WARNING

TO REDUCE THE RISK OF FIRE, USE ONLY METAL DUCTWORK.

CAUTION

To reduce risk of fire and to properly exhaust air outside - Do not vent exhaust air into spaces within walls, ceilings, attics, crawl spaces or garages.

Not for use over an outdoor grill.

OPERATION

Always leave safety grilles and filters in place. Without these components, operating blowers could catch onto hair, fingers and loose clothing.

The manufacturer declines all responsibility in the event of failure to observe the instructions given here for installation, maintenance and suitable use of the product. The manufacturer further declines all responsibility for injury due to negligence and the warranty of the unit automatically expires due to improper maintenance.

***NOTE: Please check www.zephyronline.com for revisions before doing any custom work.**

ELECTRICAL REQUIREMENTS

Important:

Observe all governing codes and ordinances.

It is the customer's responsibility:

- To contact a qualified electrical installer.
- To assure that the electrical installation is adequate and in conformance with National Electrical Code, ANSI/NFPA 70 latest edition* or CSA standards C22.1-94, Canadian Electrical Code, Part 1 and C22.2 No.0-M91 - latest edition** and all local codes and ordinances.

If codes permit and a separate ground wire is used, it is recommended that a qualified electrician determine that the ground path is adequate.

Do not ground to a gas pipe.

Check with a qualified electrician if you are not sure the range hood is properly grounded.

Do not have a fuse in the neutral or ground circuit.

*National Fire Protection Association Batterymarch Park, Quincy, Massachusetts 02269

** CSA International 8501 East Pleasant Valley Road, Cleveland, Ohio 44131-5575

This appliance requires a 120V 60Hz electrical supply and connected to an individual properly grounded branch circuit protected by a 15 or 20 ampere circuit breaker or time delay fuse. Wiring must be 2 wire with ground. Please also refer to Electrical Diagram on product.

A cable locking connector (not supplied) might also be required by local codes. Check with local requirements, purchase and install appropriate connector if necessary.

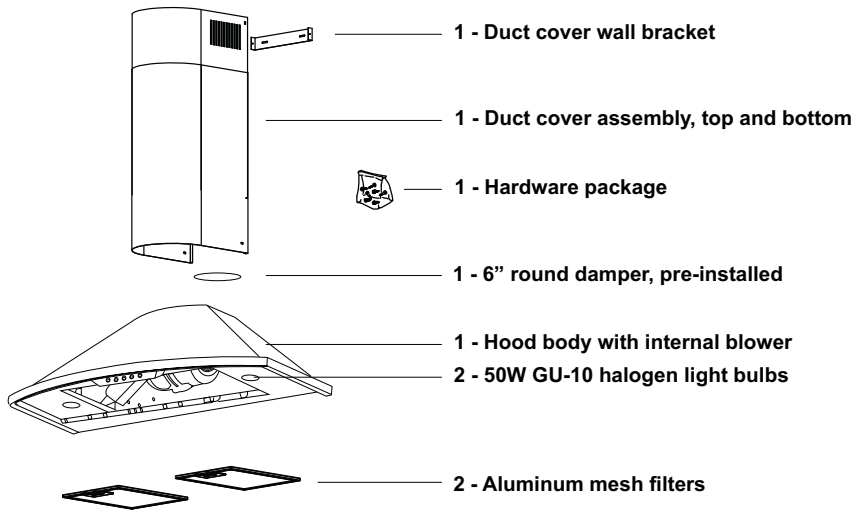
ZSA-E30BB, ZSA-E30BS, ZSA-M90BB, ZSA-M90BS - 426 Watts, 3.5 Amps

ZSA-E30BS290 and ZSA-M90BS290 - 171 Watts, 1.5 Amps

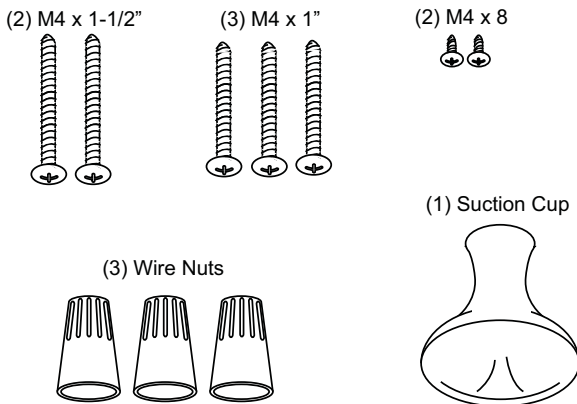
List of Materials

MODELS: ZSA

PARTS SUPPLIED



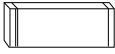

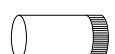
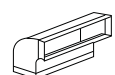
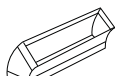

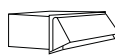




HARDWARE PACKAGE CONTENTS



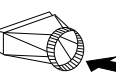
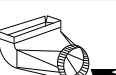



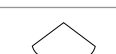




PARTS NOT SUPPLIED

- Ducting, conduit and all installation tools
- Cable connector (if required by local codes)
- Extension duct cover accessory - Z1C-01SA, Z1C-01SAB
- Recirculating kit accessory - ZRC-00SV

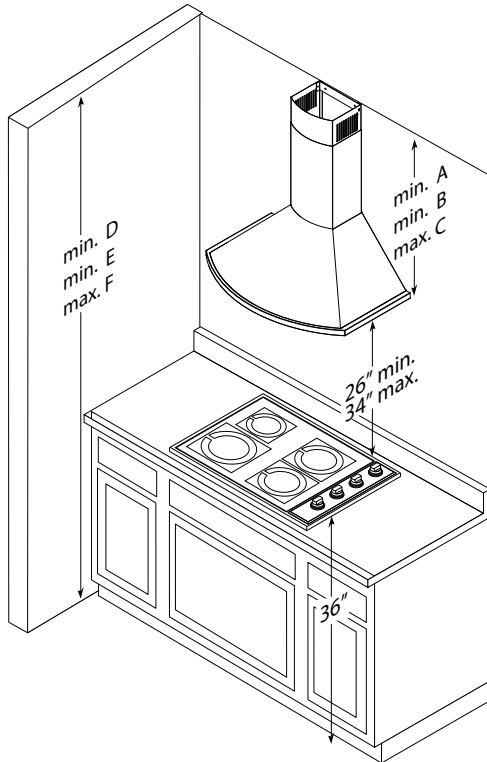
Installation – Ducting Calculation Sheet

| Duct pieces | | Equivalent number length x used = | Total |
|---|---|-----------------------------------|-------|
|  | 3-1/4" x 10" Rect., straight | 1 Ft. x () = | Ft. |
|  | 7" Round, straight | 1 Ft. x () = | Ft. |
|  | 8" Round, straight | 1 Ft. x () = | Ft. |
|  | 3-1/4" x 10" Rect. 90° elbow | 15 Ft. x () = | Ft. |
|  | 3-1/4" x 10" Rect. 45° elbow | 9 Ft. x () = | Ft. |
|  | 3-1/4" x 10" Rect. 90° flat elbow | 24 Ft. x () = | Ft. |
|  | 3-1/4" x 10" Rect. wall cap with damper | 30 Ft. x () = | Ft. |
|  | 3-1/4" x 10" Rect. to 6" round transition | 5 Ft. x () = | Ft. |
|  | 3-1/4" x 10" Rect. to 6" round transition 90° elbow | 20 Ft. x () = | Ft. |
|  | 6" Round, 90° elbow | 15 Ft. x () = | Ft. |
|  | 6" Round, 45° elbow | 9 Ft. x () = | Ft. |
| Subtotal column 1 = | | | Ft. |

| Duct pieces | | Equivalent number length x used = | Total |
|---|---|-----------------------------------|-------|
|  | 6"- 8" Round wall cap with damper | 30 Ft. x () = | Ft. |
|  | 6"- 8" Round, roof cap | 30 Ft. x () = | Ft. |
|  | 6" round to 3-1/4" x 10" rect. transition | 1 Ft. x () = | Ft. |
|  | 6" round to 3-1/4" x 10" rect. transition 90° elbow | 16 Ft. x () = | Ft. |
|  | 7" or 8" Round, 90° elbow | 15 Ft. x () = | Ft. |
|  | 7" or 8" Round, 45° elbow | 9 Ft. x () = | Ft. |
|  | 7" or 8" Round wall cap with damper | 30 Ft. x () = | Ft. |
|  | 7" or 8" Round, roof cap | 30 Ft. x () = | Ft. |
|  | 7" round to 3 1/4" x 10" rect. transition | 8 Ft. x () = | Ft. |
|  | 7" round to 3-1/4" x 10" rect. transition 90° elbow | 23 Ft. x () = | Ft. |
| Subtotal column 2 = | | | Ft. |
| Subtotal column 1 = | | | Ft. |
| Total ductwork = | | | Ft. |

Maximum Duct Length: For satisfactory air movement, the total duct length of a 3 1/4" x 10" rectangular 6" or 7" diameter round duct should not exceed 100 equivalent feet.

Installation – Mounting Height & Clearance



| | Standard Duct Cover | Extension Duct Cover |
|---------------------------|---------------------|----------------------|
| Hood Heights | | |
| minimum ducted (A) | 28" | 45-1/2" |
| minimum recirculating (B) | 32" | 50" |
| maximum (C) | 45" | 79" |
| Ceiling Heights | | |
| minimum ducted (D) | 90" (7' 6") | 107-1/2" (9') |
| minimum recirculating (E) | 94" (7' 10") | 112" (9' 4") |
| maximum (F) | 115" (9' 7") | 150" (12' 6") |

DUCTING

A minimum of 6" round duct must be used to maintain maximum air flow efficiency.

Always use rigid type metal ducts only. Flexible ducts could restrict air flow by up to 50%.

Use calculation worksheet to compute total duct work (Page 5).

ALWAYS, when possible, reduce the number of transitions and turns. If a long duct run is required, increase duct size from 6" to 7" or 8".

If turns or transitions are required: Install as far away from duct opening and as far apart between the two transitions as possible.

Minimum mount height between range top to hood bottom should be no less than 26".

Maximum mount height should be no higher than 34".

It is important to install the hood at the proper mounting height. Hoods mounted too low could result in heat damage and fire hazard; while hoods mounted too high will be hard to reach and will lose performance and efficiency.

If available, also refer to range manufacturer's height clearance requirements and recommended hood mounting height above range. Always check your local codes for any differences.

Duct cover extension kit available for ceiling heights up to 12 feet. Turn to page 16 for part number and ordering information.

DAMAGE-SHIPMENT / INSTALLATION:

- Please fully inspect unit for damage before installation.
- If the unit is damaged in shipment, return the unit to the store in which it was bought for repair or replacement.
- If the unit is damaged by the customer, repair or replacement is the responsibility of the customer.
- If the unit is damaged by the installer (if other than the customer), repair or replacement must be made by arrangement between customer and installer.

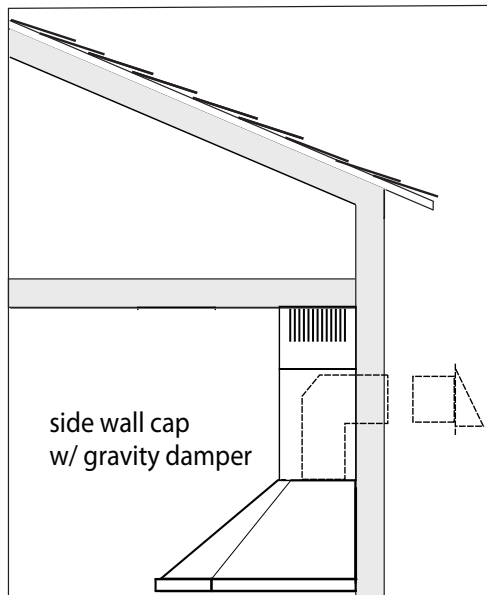
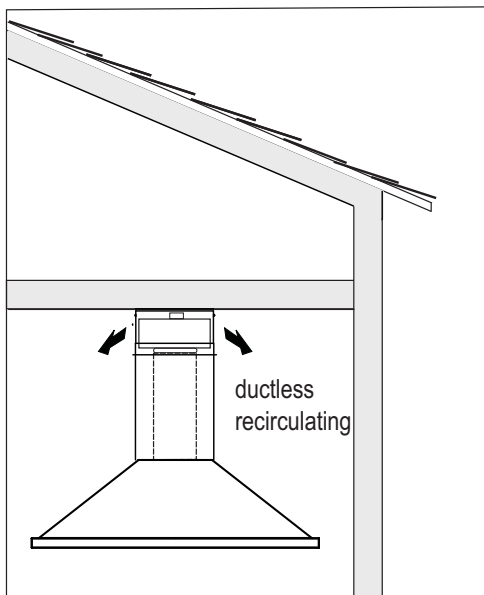
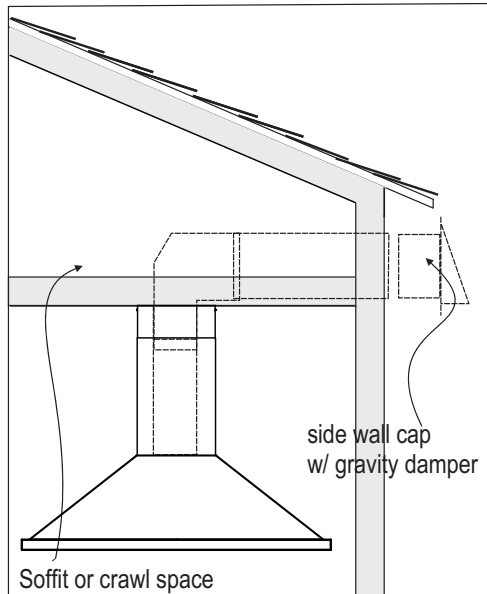
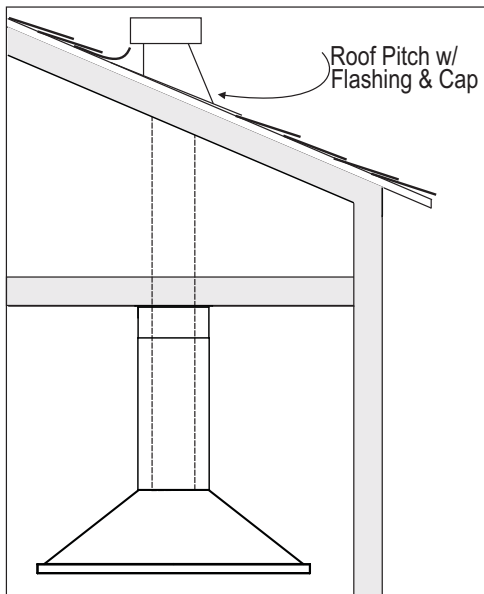
WARNING FIRE HAZARD

NEVER exhaust air or terminate duct work into spaces between walls, crawl spaces, ceiling, attics or garages. All exhaust must be ducted to the outside, unless using the recirculating option.

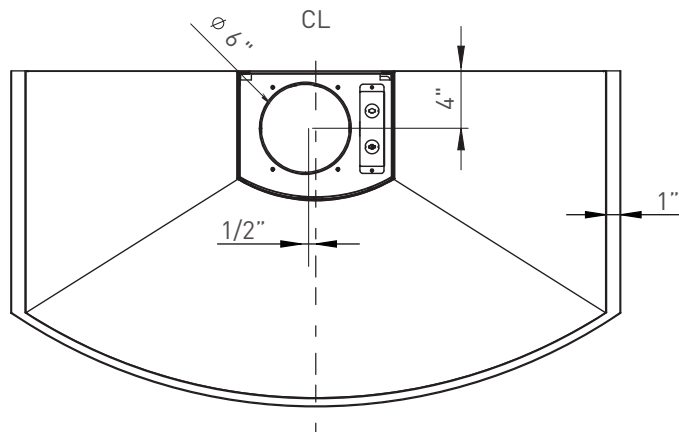
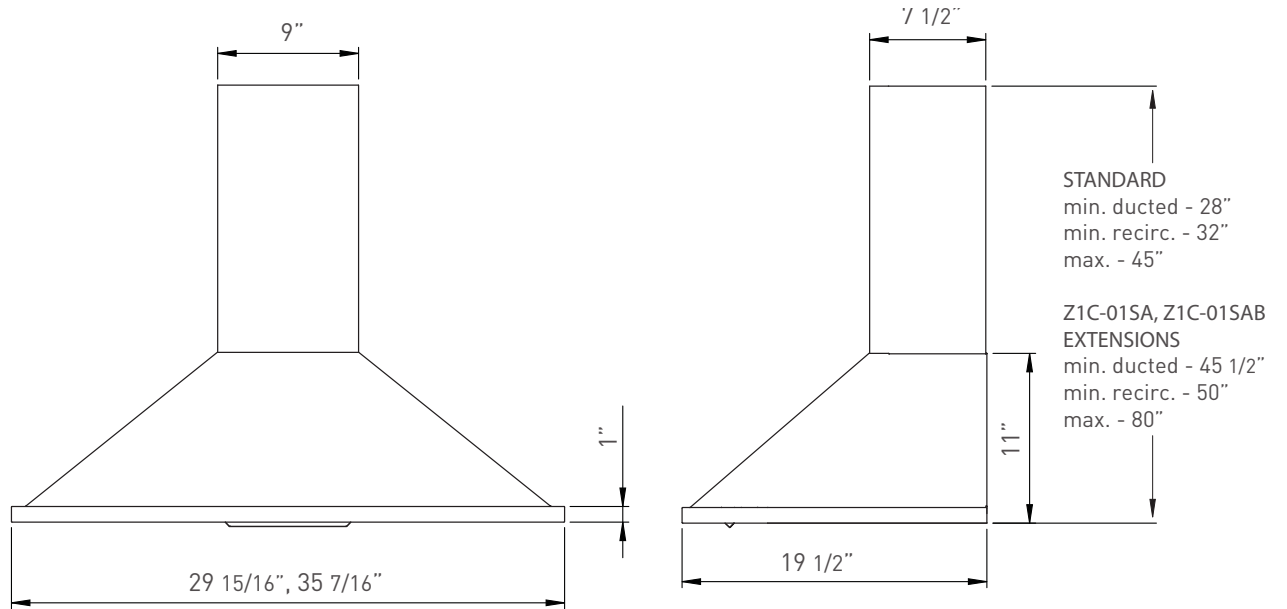
Use single wall rigid metal ductwork only.

Fasten all connections with sheet metal screws and tape all joints w/ certified Silver Tape or Duct Tape.

Some Ducting Options



Installation – Hood Specification



⚠ CAUTION: At least two installers are required due to the weight and size of the hood.

1. Measure from range top to hood bottom and mark line A. (26" minimum from range top) .
2. Plum and mark center line.
3. Mark hood height line B. (9-1/2" from line A)
4. Mark mounting spread from C/L. (9-7/8" on line B)
5. Fasten (2) M4 x 1-1/2" screws into studs on line B but do not tighten all the way. **Note: Wood blocking may need to be added behind the drywall if no studs are present. Wall anchors may also be used but check local codes before using wall anchors.**
6. Remove the (2) aluminum mesh filters.
7. Hang hood onto the mounting screws and hand tighten each screw. (Fig A)
8. Center and attach duct cover mounting bracket to wall just below the ceiling or soffit using (2) M4 x 1" screws.
9. Install electrical and duct work. Seal duct work with aluminum duct tape.
10. Power up hood and check for leaks around duct tape.
11. Place telescopic duct covers onto hood and extend inner (top) duct cover upwards and secure to duct cover bracket using (2) M3.5 x 8 screws. Reinstall mesh filters.

* If using hood in recirculating mode you must secure the air diverter plate onto wall before installing duct work and duct covers. You will also need to install charcoal filters and brackets. Turn to page 10 for more details.

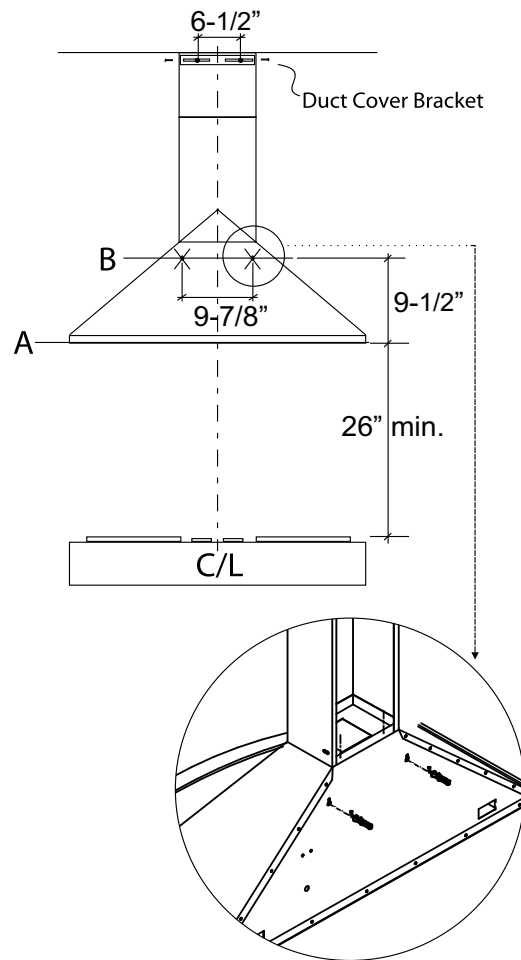
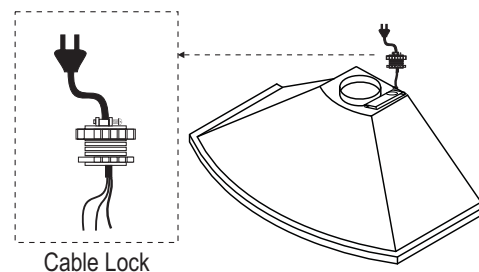


FIG. A

⚠ WARNING: Electrical wiring must be done by a qualified person(s) in accordance with all applicable codes and standards. This range hood must be properly grounded. Turn off electrical power at service entrance before wiring.

Cable Lock

A cable locking connector (not supplied) might be required by local codes. Check with local requirements and codes, purchase and install appropriate connector if necessary.



Ductless recirculation is intended for applications where an exhaust duct work is not possible to be installed. When converted, the hood functions as a recirculating hood rather than an exhaust hood. Fumes and exhaust from cooking are drawn and filtered by a set of optional charcoal filters. The air is then purified and re-circulated back within the home.

We recommend to ALWAYS exhaust air outside of the home by employing existing or installing new duct work, if possible. The hood is most effective and efficient as an exhaust hood. Only when the exhaust option is not possible should you recourse to converting the hood into a recirculating hood.

When converted to be a recirculating hood, a set of charcoal filters are required on top of its standard mesh filter set. Order according to its part number below. The standard mesh filters are intended to capture residue from cooking and the optional charcoal filters help to purify fumes exhausted from cooking for re-circulation.

RECIRCULATING KIT (REQUIRED IF NO DUCTING IS USED)

Kit includes charcoal filters and air diverter plate.

| Hood Models | Part No. | Filters & Brackets in pkg. |
|-------------|----------|----------------------------|
| ZSA | ZRC-00SV | 2 |

1. Purchase recirculating kit per the part number above
2. Secure air diverter plate to wall below duct cover bracket. Run 6" ducting from top of hood and secure to air diverter plate. (FIG. B)
3. Remove aluminum mesh filters from hood. Secure charcoal filter brackets to the hood body behind each mesh filters using the screws included in the recirculating kit. Clip charcoal filters onto each charcoal filter bracket. (FIG. B)
4. Re-Install mesh filters. **For more details refer to manual included with recirculating kit.**
5. Charcoal filters must be replaced after every 120 hours of use (or approximately every 3 to 4 months based on an average of 1 - 2 hrs. of daily cooking time).

Charcoal Filter Replacements

| Hood Model | Part No. | Qty to Order |
|------------|----------|--------------|
| ZSA | Z0F-C002 | 2 |

DO NOT WASH CHARCOAL FILTERS. Charcoal filters may need to be changed more often depending on cooking habits.

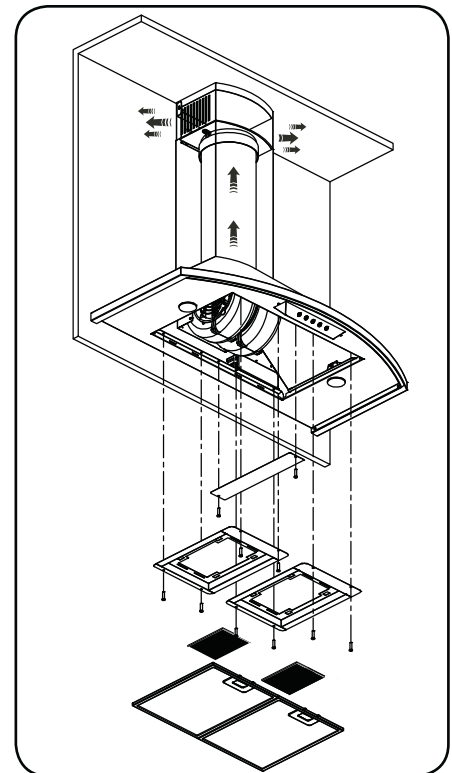
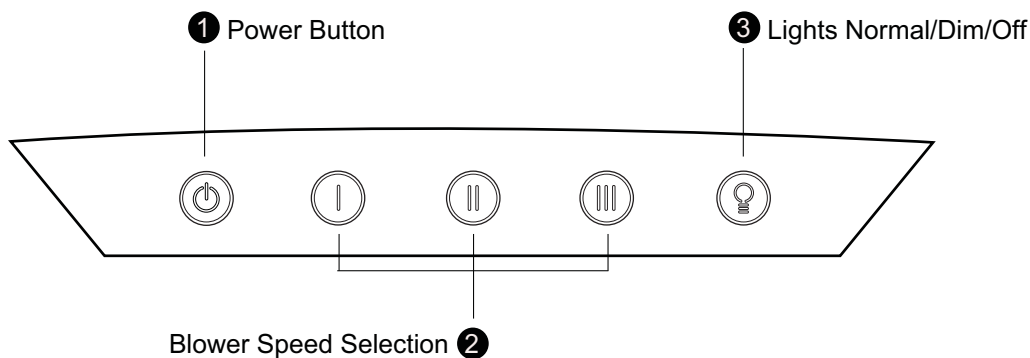



FIG. B



1 Power Button


Press  to switch blower on and off. If lights are on they will also switch off when this button is pressed.

These controls feature a memory function that will remember the last setting before being powered off. *For example:* If blower is on Speed 2 and lights are on normal and the Power Button is pressed, the entire hood will power down. If Power Button is pressed again the blower will switch back on to Speed 2 and lights on normal.

2 Blower Speed Selection

Press one of these buttons to select blower speeds 1, 2, and 3. While blower is on a blue LED back-light will illuminate the applicable Speed Selection button and Power On/Off button.

3 Lights Normal/Dim/Off

Press  to cycle through light levels Normal, Dim, and Off. While lights are on a blue LED back-light will illuminate the button.

SURFACE MAINTENANCE:

Clean periodically with hot soapy water and clean cotton cloth. Do not use corrosive or abrasive detergent or steel wool/scouring pads which will scratch and damage surface.

For heavier soil use liquid degreaser.

After cleaning it is recommended that you use non-abrasive stainless steel polish/cleaners, to polish and buff out the stainless luster and grain. Always scrub lightly, with clean cotton cloth, and with the grain.

Do not use any product containing chlorine bleach. Do not use “orange” cleaners.

Aluminum Mesh Filters

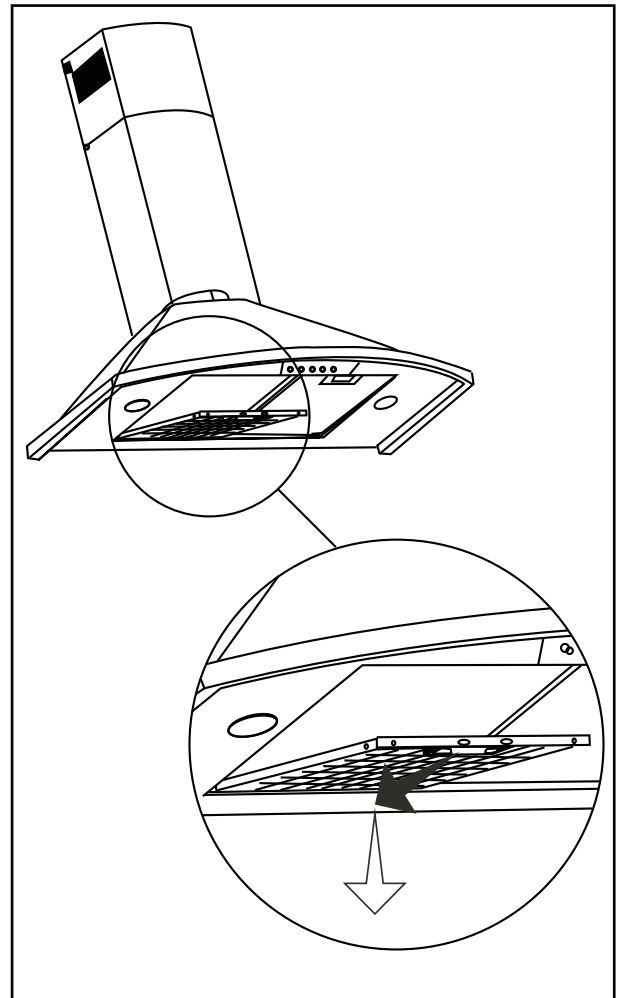
The aluminum mesh filters installed by the factory are intended to filter out residue and grease from cooking. They need not be replaced on a regular basis but are required to be kept clean.

Remove and clean by hand or in dishwasher on low heat. Spray degreasing detergent and leave to soak if heavily soiled.

Dry filters and re-install before using hood.

Removing Aluminum Mesh Filters

1. Push in on spring loaded handle
2. Pull down on filter handle to remove filter



REPLACING LIGHT BULBS

CAUTION: Light bulb becomes extremely hot when turned on.

DO NOT touch bulb until switched off and cooled. Touching hot bulbs could cause serious burns.

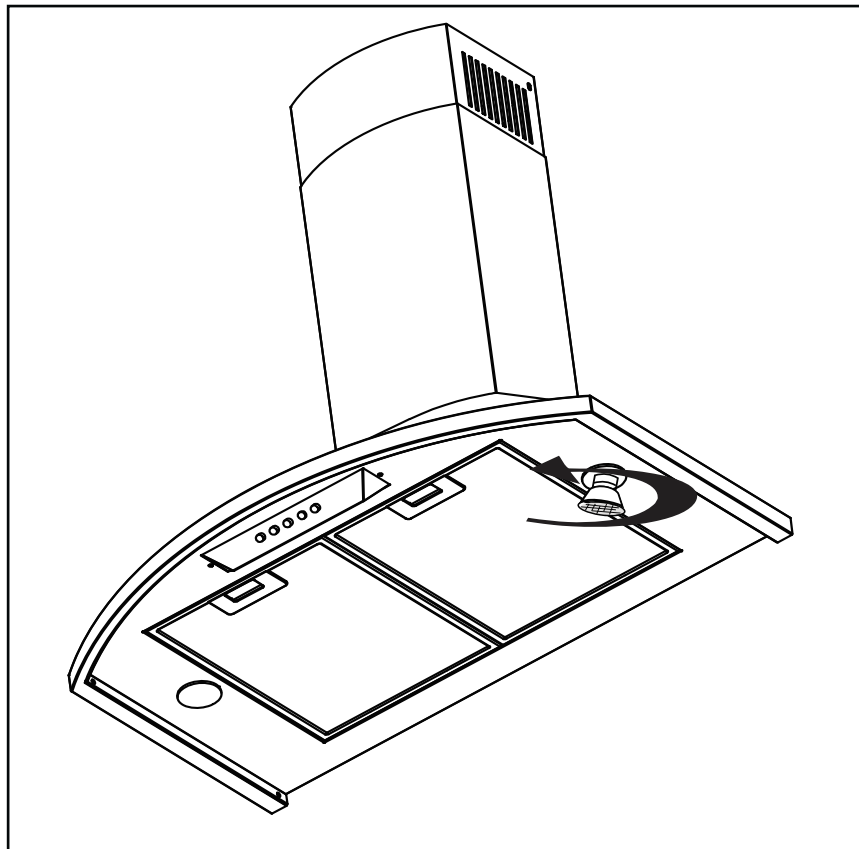
Make sure all power is turned off and bulbs are not hot.

Remove by turning bulb counter clockwise. Note: Bulb does not unscrew; it turns 60 degrees, stops and falls out.

If bulbs are difficult to turn due to prolonged use, firmly attach the included glass suction cup or use a rubber/latex glove grip and turn the bulb counter clockwise.

Replacement bulbs are available at specialty lighting stores. Purchase type GU-10 50W halogen.

For part numbers please turn to page 16 of the manual.



TROUBLESHOOTING PROCEDURES FOR ZSA

| Issue | Cause | What to do |
|---|--|--|
| After installation, the unit doesn't work. | 1. The power source is not turned ON. | 1. Make sure the circuit breaker and the unit's power is ON. |
| | 2. The power line and the cable locking connector is not connecting properly. | 2. Check the power connection with the unit is connected properly. |
| | 3. The switch board and control board wirings are disconnected. | 3. Make sure the wirings between the switch board and control board are connected properly. |
| | 4. The switch board or control board is defective. | 4. Change the switch board or control board. |
| Light works, but motor is not turning. | 1. The motor is defective, possibly seized. | 1. Change the motor. |
| | 2. The thermally protected system detects if the motor is too hot to operate and shuts the motor down. | 2. The motor will function properly after the thermally protected system cool down. |
| | 3. Damaged capacitor. | 3. Change the capacitor. |
| | 4. The switch board or control board is defective. | 4. Change defective part. |
| The unit is vibrating. | 1. The motor is not secured in place. | 1. Tighten the motor in place. |
| | 2. Damaged blower wheel. | 2. Replace the blower. |
| | 3. The hood is not secured in place. | 3. Check the installation of the hood. |
| | 4. The switch board or control board is defective. | 4. Change defective part. |
| The motor is working, but the lights are not. | 1. Defective halogen bulb. | 1. Change the halogen bulb. |
| | 2. The light bulb is loose. | 2. Tighten the light bulb. |
| The hood is not venting out properly. | 1. The hood might be hanging too high from the cook top. | 1. Adjust the distance between the cook top and the bottom of the hood within 28" and 36" range. |
| | 2. The wind from the opened windows or opened doors in the surrounding area are affecting the ventilation of the hood. | 2. Close all the windows and doors to eliminate the outside wind flow. |
| | 3. Blockage in the duct opening or ductwork. | 3. Remove all the blocking from the duct work or duct opening. |
| | 4. The direction of duct opening is against the wind. | 4. Adjust the duct opening direction. |
| | 5. Using the wrong size of ducting. | 5. Change the ducting to at least 6" or higher for the internal blower and 8" or higher for the external blower. |
| Mesh Filter is vibrating. | 1. Mesh filter is loose. | 1. Change the mesh filter. |



182766

Model: ZSA-E30/M90Bx290

Voltage 120V 60Hz 1.5A

Power consumption

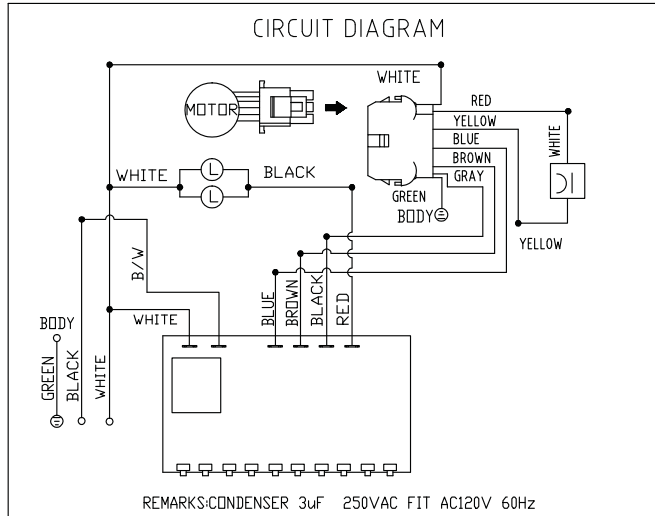
Total: 171W

Lamp: Max.50Wx2

Fan: 71W

DATE:

THERMALLY PROTECTED



182766 ZSA-E30BS/BB

Model: ZSA-M90BS/BB

Voltage 120V 60Hz 3.5A

Power consumption

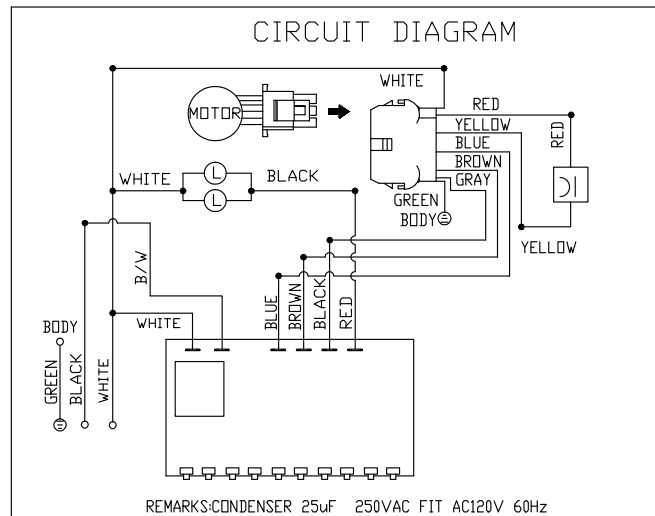
Total: 426W

Lamp: Max.50Wx2

Fan: 326W

DATE:

THERMALLY PROTECTED



List of Materials

| DESCRIPTION | PART# |
|------------------------------------|----------------------------------|
| Replacement Parts | |
| Light Bulb GU-10 50W (each) | Z0B-0020 |
| Aluminum Mesh Filter (each) | 50200011 |
| Optional Accessories | |
| Recirculating Kit | ZRC-00SV |
| Replacement Charcoal Filter (each) | Z0F-C002 |
| Extension Duct Cover | Z1C-01SA (SS), Z1C-01SAB (Black) |

Order replacement parts from our website or by calling us 1.888.880.8368

ZEPHYR

Limited Warranty

STAPLE YOUR RECEIPT HERE
Proof of the original purchase
date is needed to obtain
service under warranty

TO OBTAIN SERVICE UNDER WARRANTY OR FOR ANY SERVICE RELATED QUESTIONS, please call:
1-888-880-8368

Zephyr Corporation (referred to herein as “we” or “us”) warrants to the original consumer purchaser (referred to herein as “you” or “your”) of Zephyr products (the “Products”) that such Products will be free from defects in materials or workmanship as follows:

Two Year Limited Warranty for Parts: For two years from the date of your original purchase of the Products, we will provide, free of charge, Products or parts to replace those that failed due to manufacturing defects. We may choose, in our sole discretion, to repair or replace parts before we elect to replace the Products.

One Year Limited Warranty for Labor: For one year from the date of your original purchase of the Products, we will provide, free of charge, the labor cost associated with repairing the Products or parts to replace those that failed due to manufacturing defects. After the first year from the date of your original purchase, you are responsible for all labor costs associated with this warranty.

Warranty Exclusions: This warranty covers only repair or replacement, at our option, of defective Products or parts and does not cover any other costs related to the Products including but not limited to: (a) normal maintenance and service required for the Products and consumable parts such as light bulbs, metal and carbon filters and fuses; (b) any Products or parts which have been subject to freight damage, misuse, negligence, accident, faulty installation or installation contrary to recommended installation instructions, improper maintenance or repair (other than by us); (c) commercial use of the Products or use otherwise inconsistent with its intended purpose; (d) natural wear of the finish of the Products or wear caused by improper maintenance, use of corrosive and abrasive cleaning products, pads, and oven cleaner products; (e) chips, dents or cracks caused by abuse or misuse of the Products; (f) service trips to your home to teach you how to use the Products; or (g) damage to the Products caused by accident, fire, floods or act of God. If you are outside our service area, additional charges may apply for shipping costs for warranty repair at our designated service locations and for the travel cost to have a service technician come to your home to repair, remove or reinstall the Products. After the first year from the date of your original purchase, you are also responsible for all labor costs associated with this warranty.

Limitations of Warranty. OUR OBLIGATION TO REPAIR OR REPLACE, AT OUR OPTION, SHALL BE YOUR SOLE AND EXCLUSIVE REMEDY UNDER THIS WARRANTY. WE SHALL NOT BE LIABLE FOR INCIDENTAL, CONSEQUENTIAL OR SPECIAL DAMAGES ARISING OUT OF OR IN CONNECTION WITH THE USE OR PERFORMANCE OF THE PRODUCTS. THE EXPRESS WARRANTIES IN THE PRECEDING SECTION ARE EXCLUSIVE AND IN LIEU OF ALL OTHER EXPRESS WARRANTIES. WE HEREBY DISCLAIM AND EXCLUDE ALL OTHER EXPRESS WARRANTIES FOR THE PRODUCTS, AND DISCLAIM AND EXCLUDE ALL WARRANTIES IMPLIED BY LAW, INCLUDING THOSE OF MERCHANTABILITY AND FITNESS FOR A PARTICULAR PURPOSE. Some states or provinces do not allow limitations on the duration of an implied warranty or the exclusion or limitation of incidental or consequential damages, so the above limitations or exclusions may not apply to you. To the extent that applicable law prohibits the exclusion of implied warranties, the duration of any applicable implied warranty is limited to the same two-year period described above. Any oral or written description of the Products is for the sole purpose of identifying the Products and shall not be construed as an express warranty. Prior to using, implementing or permitting use of the Products, you shall determine the suitability of the Products for the intended use, and you shall assume all risk and liability whatsoever in connection with such determination. We reserve the right to use functionally equivalent refurbished or reconditioned parts or Products as warranty replacements or as part of warranty service. This warranty is not transferable from the original purchaser and applies in the United States and Canada.

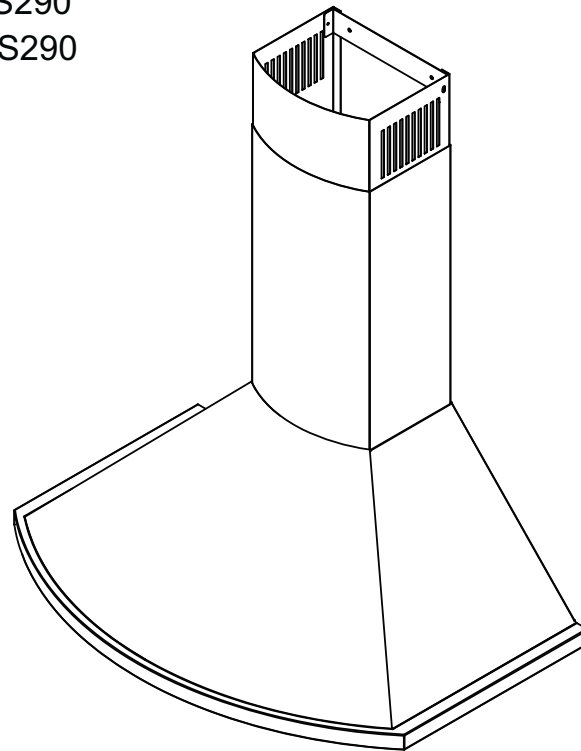
To Obtain Service Under Limited Warranty: To qualify for warranty service, you must: (a) notify us at the address or telephone number stated below within 60 days of the discovery of the defect; (b) give the model number and part identification number and serial number; and (c) describe the nature of any defect in the Product or part. At the time of the request for warranty service, you must present evidence of your proof of purchase and proof of the original purchase date. If we determine that the warranty exclusions listed above apply or if you fail to provide the necessary documentation to obtain service, you will be responsible for all shipping, travel, labor and other costs related to the services.

Please check our website for any revisions, www.zephyronline.com.

Zephyr Corporation Service Department, 2277 Harbor Bay Parkway, Alameda, CA 94502 1-888-880-8368

Savona Wall

- ZSA-E30BB
- ZSA-E30BS
- ZSA-M90BB
- ZSA-M90BS
- ZSA-E30BS290
- ZSA-M90BS290



Numéro de modèle : _____

Numéro de série : _____

APR10.0201 © Zephyr Corporation

| | |
|---|-----|
| MISE EN GARDE DE SÉCURITÉ | 2-3 |
| LISTE DU MATÉRIEL | 4 |
| INSTALLATION | |
| Feuille de calcul pour le conduit..... | 5 |
| Espace libre et hauteur de montage..... | 6 |
| Options d'installation pour le conduit..... | 7 |
| Spécifications de la hotte..... | 8 |
| Montage de la hotte..... | 9 |
| Reprise d'air sans conduit..... | 10 |
| COMMANDES | |
| Commandes électroniques DEL..... | 11 |
| ENTRETIEN | |
| Nettoyage des filtres et de la hotte..... | 12 |
| Ampoules..... | 13 |
| DÉPANNAGE | 14 |
| SCHÉMA DE CÂBLAGE | 15 |
| LISTES DES ACCESSOIRES ET DES PIÈCES | 16 |

AVERTISSEMENT

POUR RÉDUIRE LES RISQUES D'INCENDIE OU DE DÉCHARGE ÉLECTRIQUE, N'UTILISEZ PAS CET APPAREIL AVEC UN TABLEAU DE COMMANDE À SEMI-CONDUCTEURS.

AVERTISSEMENT

POUR RÉDUIRE LES RISQUES D'INCENDIE, DE DÉCHARGE ÉLECTRIQUE OU DE BLESSURE, RESPECTEZ CES CONSIGNES :

- N'utilisez cet appareil que de la manière prévue par le fabricant. Si vous avez des questions, communiquez avec le fabricant.
- Avant de procéder au nettoyage ou à l'entretien de l'appareil, éteignez l'alimentation du panneau électrique et bloquez le dispositif de déconnexion pour éviter que l'alimentation électrique ne soit accidentellement rallumée. Si le dispositif de sectionnement d'électricité ne peut être bloqué, attachez un avertissement (comme une étiquette) bien en vue sur le tableau électrique.

ATTENTION

Pour ventilation générale seulement. N'utilisez pas cet appareil pour évacuer des vapeurs et des matériaux explosifs ou dangereux. Prenez garde lors de l'utilisation d'agents nettoyants ou de détergents. Ne devrait être utilisé que dans la cuisine de votre maison.

AVERTISSEMENT

POUR RÉDUIRE LES RISQUES DE FEU DE GRAISSE SUR LA SURFACE DE CUISSON :

- Ne laissez jamais l'appareil sans surveillance lors de son utilisation à haute température. Les débordements par bouillonnement causent de la fumée et des déversements de graisse qui peuvent prendre feu. Faites chauffer l'huile à des températures basses ou moyennes.
- Allumez toujours la hotte lorsque vous cuisinez à haute température ou que vous faites flamber des aliments.
- Nettoyez fréquemment les ventilateurs de la hotte. La graisse ne devrait jamais s'accumuler dans les ventilateurs ou les filtres.
- Utilisez des poêlons aux dimensions adéquates. Utilisez toujours une batterie de cuisine correspondant aux dimensions de l'élément.
- Assurez-vous que le ventilateur, les filtres et les surfaces où la graisse pourrait s'accumuler sont toujours propres.
- Utilisez le réglage haut de la hotte seulement lorsque nécessaire.
- Ne laissez pas la hotte sans surveillance lorsque vous cuisinez.
- Utilisez toujours une batterie de cuisine et des ustensiles convenant au type et à la quantité de nourriture que vous préparez.

AVERTISSEMENT

POUR RÉDUIRE LES RISQUES DE BLESSURE LORS D'UN INCENDIE SUR LA SURFACE DE CUISSON :

- ÉTOUFFEZ LES FLAMMES avec un couvercle, une plaque à biscuits ou un plateau de métal et éteignez ensuite le brûleur. PRENEZ GARDE AUX RISQUES DE BRÛLURE. Si les flammes ne disparaissent pas, ÉVACUEZ LES LIEUX ET APPELEZ LE SERVICE D'INCENDIE.
- NE PRENEZ JAMAIS UN POÉLON EN FEU – Vous pourriez vous brûler.
- N'UTILISEZ PAS D'EAU, ou un linge à vaisselle mouillé – une violente explosion de vapeur s'ensuivra.
- Utilisez un extincteur SEULEMENT si :
 - Vous savez que vous possédez un extincteur de classe ABC et vous savez vous en servir.
 - Le feu est faible et ne s'est pas répandu depuis son point d'origine.
 - Vous avez appelé le service d'incendie.
 - Vous pouvez sortir facilement de l'endroit où vous combattez le feu.

AVERTISSEMENT

POUR RÉDUIRE LES RISQUES D'INCENDIE, DE DÉCHARGE ÉLECTRIQUE OU DE BLESSURE, SUIVEZ LES CONSIGNES SUIVANTES :

- Les travaux d'installation et de câblage électrique doivent être faits par une personne qualifiée selon les stipulations de tous les normes et standards en vigueur, dont les normes des constructions ayant une cote de résistance au feu.
- Pour prévenir les contre-explosions, une certaine quantité d'air est nécessaire pour la combustion et l'évacuation des gaz par le carneau (cheminée) de l'appareil de combustion. Respectez les directives du fabricant d'outillage de chauffage et les normes de sécurité comme celles publiées par la NFPA (Association nationale des services d'incendie), par la Société américaine des ingénieurs en chauffage, réfrigération et climatisation (ASHRAE) et par les normes des autorités locales.
- Lorsque vous coupez ou percez un mur ou un plafond, assurez-vous de ne pas endommager le câblage électrique ou toute autre installation technique dissimulée.
- Les ventilateurs canalisés doivent toujours évacuer l'air à l'extérieur.
- N'installez JAMAIS un interrupteur à une distance atteignable depuis un bain ou une douche.
- Assurez-vous que l'alimentation électrique est éteinte avant de procéder à l'installation, au câblage ou à l'entretien de l'appareil.

ATTENTION

POUR RÉDUIRE LES RISQUES D'INCENDIE, N'UTILISEZ QUE DES CONDUITS D'AÉRATION EN MÉTAL.

ATTENTION

Pour réduire les risques d'incendie et pour évacuer l'air convenablement, assurez-vous de canaliser l'air à l'extérieur de la maison. N'installez pas l'échappement du conduit dans les espaces entre les murs, le plafond, le grenier, les vides sanitaires ou le garage.

FONCTIONNEMENT

Laissez toujours les grilles de sûreté et les filtres en place. Sans ces éléments, les ventilateurs en marche pourraient accrocher des cheveux, des doigts ou des vêtements amples.

Le fabricant se dégage de toute responsabilité dans les cas de non-respect des instructions transmises dans le présent manuel pour l'installation, l'entretien et l'utilisation adéquate du produit. Le fabricant se dégage également de toute responsabilité pour des blessures qui résulteraient de la négligence lors de l'utilisation. De plus, la garantie prend fin automatiquement lors de l'entretien inapproprié de l'appareil.

***NOTE : Veuillez communiquer avec nous ou visitez le www.zephyronline.com pour obtenir des révisions avant de procéder à des travaux sur commande.**

EXIGENCES ÉLECTRIQUES

Important :

Respectez tous les codes et règlements en vigueur.

Il est de la responsabilité du client de :

- Communiquer avec un installateur-électricien qualifié.
- S'assurer que l'installation électrique est adéquate et qu'elle respecte le Code national de l'électricité, la plus récente édition* du ANSI/NFPA 70 ou des normes du CSA C22.1-94, le Code canadien de l'électricité, section 1, la plus récente édition** du code C22.2 No.0-M91 ainsi que tous les codes et règlements en vigueur.

Si les codes permettent l'utilisation d'un fil de garde isolé et que vous en utilisez un, il est recommandé qu'un électricien qualifié détermine si le cheminement du fil est adéquat.

N'effectuez pas la mise à la terre à un tuyau de gaz.

Demandez à un électricien qualifié si vous n'êtes pas certain que la hotte a été mise à la terre adéquatement.

N'introduisez aucun fusible dans le circuit neutre ou de mise à la terre.

*National Fire Protection Association Batterymarch Park, Quincy, Massachusetts 02269

** CSA International 8501 East Pleasant Valley Road, Cleveland, Ohio 44131-5575

Cet appareil requiert une alimentation électrique de 120V 60Hz. Il doit être connecté à un circuit terminal individuel dûment mis à la terre, protégé par un disjoncteur de circuit ou un fusible temporisé de 15 ou 20 ampères. Le câblage doit compter 2 fils avec mise à la terre. Veuillez vous référer au Diagramme électrique étiqueté sur l'appareil.

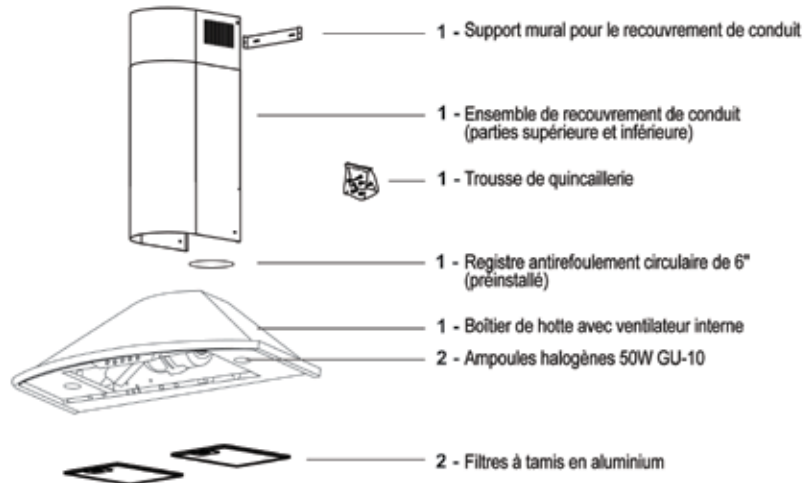
Un raccord de câble (non inclus) pourrait également être exigé par les normes et réglementations locales. Informez-vous des exigences et des normes locales. Achetez et installez le connecteur approprié si nécessaire.

ZSA-E30BB, ZSA-E30BS, ZSA-M90BB, ZSA-M90BS - 426 Watts, 3,5 Ampères

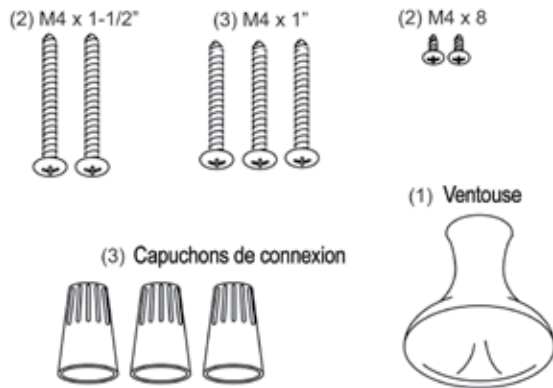
ZSA-E30BS290 et ZSA-M90BS290 - 171 Watts, 1,5 Ampères

MODÈLES : ZSA

PIÈCES FOURNIES

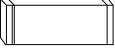


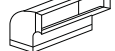



















CONTENU DE LA TROUSSE DE QUINCAILLERIE



PIÈCES NON FOURNIES

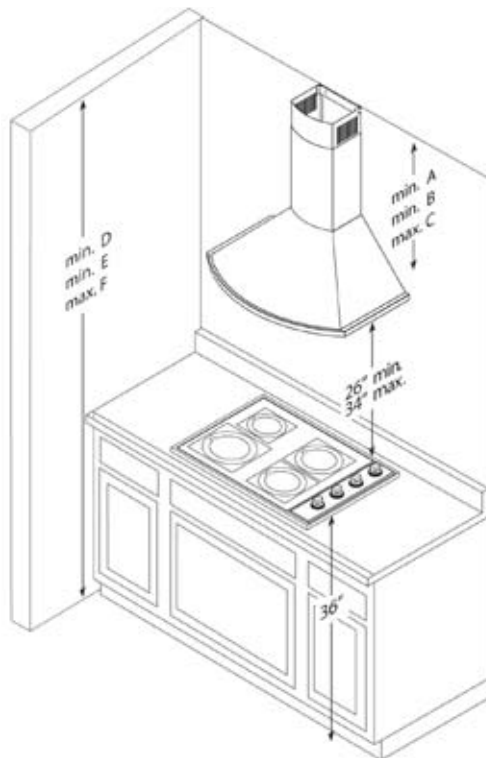
- Conduit et tous les outils d'installation
- Raccord de câble (si exigé par les codes en vigueur)
- Accessoire – prolongement pour recouvrement de conduit - Z1C-01SA, Z1C-01SAB
- Accessoire – reprise d'air - ZRC-00SV

| Pièces de conduit | | Longueur x Nombre utilisé | Total |
|---|---|------------------------------|-------|
|  | 3-1/4" x 10" rect., droit | 1 pi x () = | pi |
|  | 6" circ., droit | 1 pi x () = | pi |
|  | 7" circ., droit | 1 pi x () = | pi |
|  | 3-1/4" x 10" rect., coude à 90° | 15 pi x () = | pi |
|  | 3-1/4" x 10" rect., coude à 45° | 9 pi x () = | pi |
|  | 3-1/4" x 10" rect., coude plat à 90° | 24 pi x () = | pi |
|  | 3-1/4" x 10" embout mural rect./registre | 30 pi x () = | pi |
|  | 3-1/4" x 10" rect. à circ. de 6" | 5 pi x () = | pi |
|  | 3-1/4" x 10" coude à 90° rect. à circ. de 6" | 20 pi x () = | pi |
|  | 6" circ., coude à 90° | 15 pi x () = | pi |
|  | 6" circ., coude à 45° | 9 pi x () = | pi |
| Sous-total - colonne 1 = | | | pi |

| Pièces de conduit | | Longueur x Nombre utilisé | Total |
|---|--|------------------------------|-------|
|  | 6" embout mural circ./registre | 30 pi x () = | pi |
|  | 6" chapeau de toiture circ. | 30 pi x () = | pi |
|  | 6" circ. à rect. de 3-1/4" x 10" | 1 pi x () = | pi |
|  | 6" circ. à rect. de 3-1/4" x 10", coude à 90° | 16 pi x () = | pi |
|  | 7" or 10" circ., coude à 90° | 15 pi x () = | pi |
|  | 7" or 10" circ., coude à 45° | 9 pi x () = | pi |
|  | 7" or 10" embout mural circ./registre | 30 pi x () = | pi |
|  | 7" or 10" circ., chapeau de toiture | 30 pi x () = | pi |
|  | 7" circ. à rect. de 3-1/4" x 10" | 8 pi x () = | pi |
|  | 7" circ. à rect. de 3-1/4" x 10", coude à 90° | 23 pi x () = | pi |
| Sous-total - colonne 2 = | | | pi |
| Sous-total - colonne 1 = | | | pi |
| Total du conduit = | | | pi |

Longueur maximale du conduit d'aération :

Pour un mouvement d'air convenable, la longueur totale d'un conduit d'aération rectangulaire de 3 1/4" x 10", ou circulaire de 6" ou 7" de diamètre, ne devrait pas compter plus que l'équivalent de 100 pieds.



| Hauteur de la hotte | Recouvrement de conduit standard | Prolongement de recouvrement de conduit |
|--------------------------------|----------------------------------|---|
| minimum avec conduit (A) | 28" | 45-1/2" |
| minimum avec reprise d'air (B) | 32" | 50" |
| maximum (C) | 45" | 79" |
| Hauteur de plafond | | |
| minimum avec conduit (D) | 90" (7' 6") | 107-1/2" (9') |
| minimum avec reprise d'air (E) | 94" (7' 10") | 112" (9' 4") |
| maximum (F) | 115" (9' 7") | 150" (12' 6") |

CONDUIT D'AÉRATION

Un conduit circulaire de 6" doit être utilisé pour assurer une circulation d'air maximale.

N'utilisez que des conduits en métal rigide. Les conduits souples pourraient réduire la circulation d'air jusqu'à 50 %.

Utilisez la feuille de calcul pour obtenir la longueur totale du conduit (page 5).

Lorsqu'il est possible de le faire, diminuez TOUJOURS le nombre de pièces et de changements de direction. Si un long tronçon de conduit est nécessaire, augmentez le diamètre du conduit de 6" à 7" ou 8".

Si des changements de direction ou des

adaptateurs sont nécessaires, installez-les le plus loin possible de l'ouverture et le plus éloigné possible l'un de l'autre.

La hauteur de montage minimale ne devrait pas être moins de 26".

La hauteur de montage maximale ne devrait pas dépasser 34".

Il est important d'installer la hotte à la hauteur de montage adéquate. Les hottes installées trop basses pourraient être endommagées par la chaleur en plus de présenter des risques d'incendie plus élevés tandis que les hottes installées trop hautes seront difficiles à atteindre et verront leur efficacité et leur rendement réduits.

Si elles sont disponibles, consultez les exigences de hauteur d'espace libre requise par le fabricant de la cuisinière ainsi que la hauteur recommandée de montage de la hotte au-dessus de la surface de cuisson. Informez-vous toujours des normes et des réglementations locales en vigueur pour toute différence par rapport aux normes du fabricant.

Ensemble de recouvrement de conduit disponible pour les plafonds atteignant 12 pieds. N° de pièce et information pour commander disponibles à la page 16.

ENDOMMAGEMENT LORS DE LA LIVRAISON/INSTALLATION :

- Veuillez vous assurer que toutes les pièces de l'appareil ne sont pas endommagées avant l'installation.
- Si l'appareil est endommagé durant la livraison, retournez l'appareil à l'endroit où vous l'avez acheté pour réparation ou remplacement.
- Si l'appareil est endommagé par le client, la réparation ou le remplacement est à la charge du client.
- Si l'appareil est endommagé par l'installateur (si autre que le client), le client et l'installateur doivent en venir à une entente pour la réparation ou le remplacement.

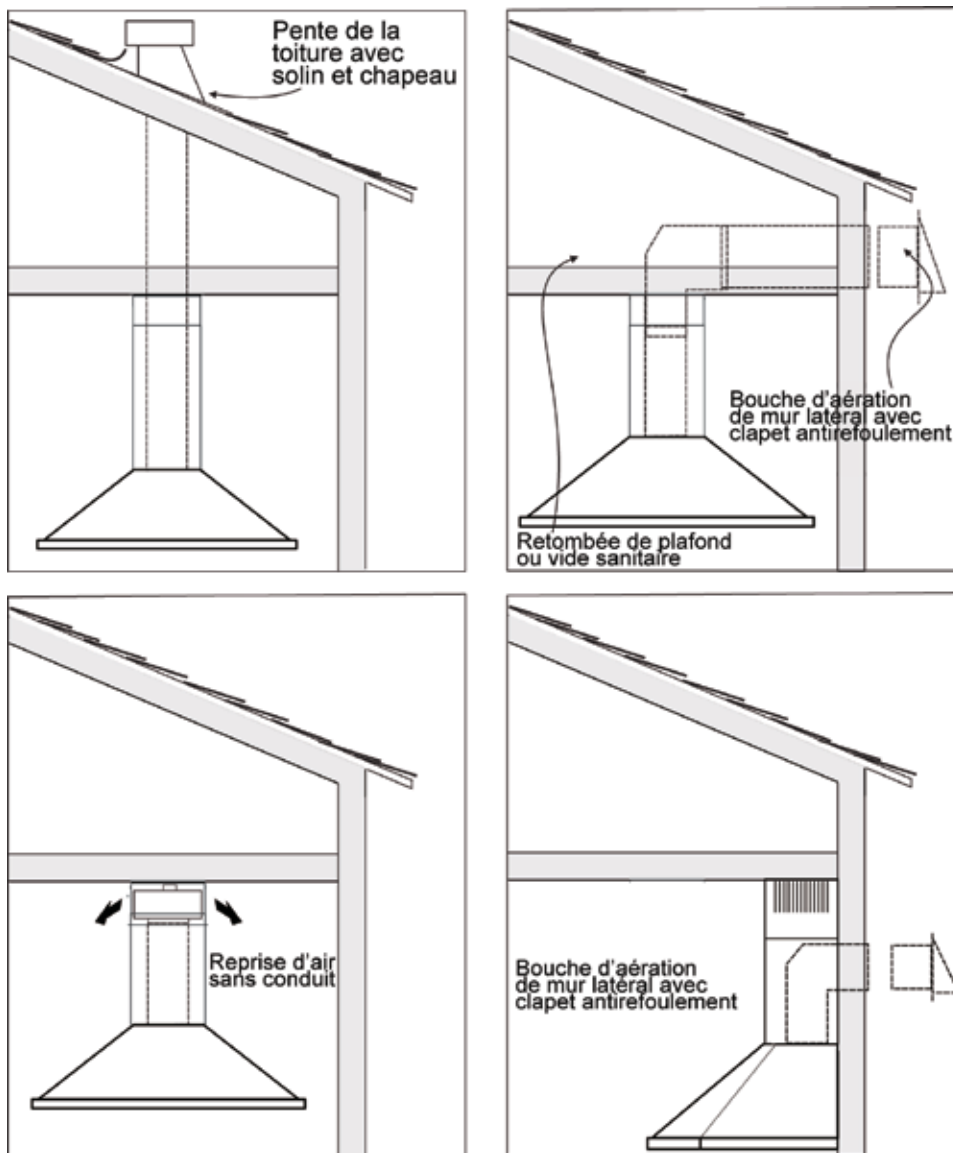
AVERTISSEMENT DE RISQUE D'INCENDIE

N'évacuez ou ne terminez JAMAIS l'échappement du conduit dans les espaces entre les murs, les vides sanitaires, le plafond, le grenier, ou le garage. Tous les échappements doivent être dirigés à l'extérieur de la maison, à moins que l'option de reprise d'air ne soit utilisée.

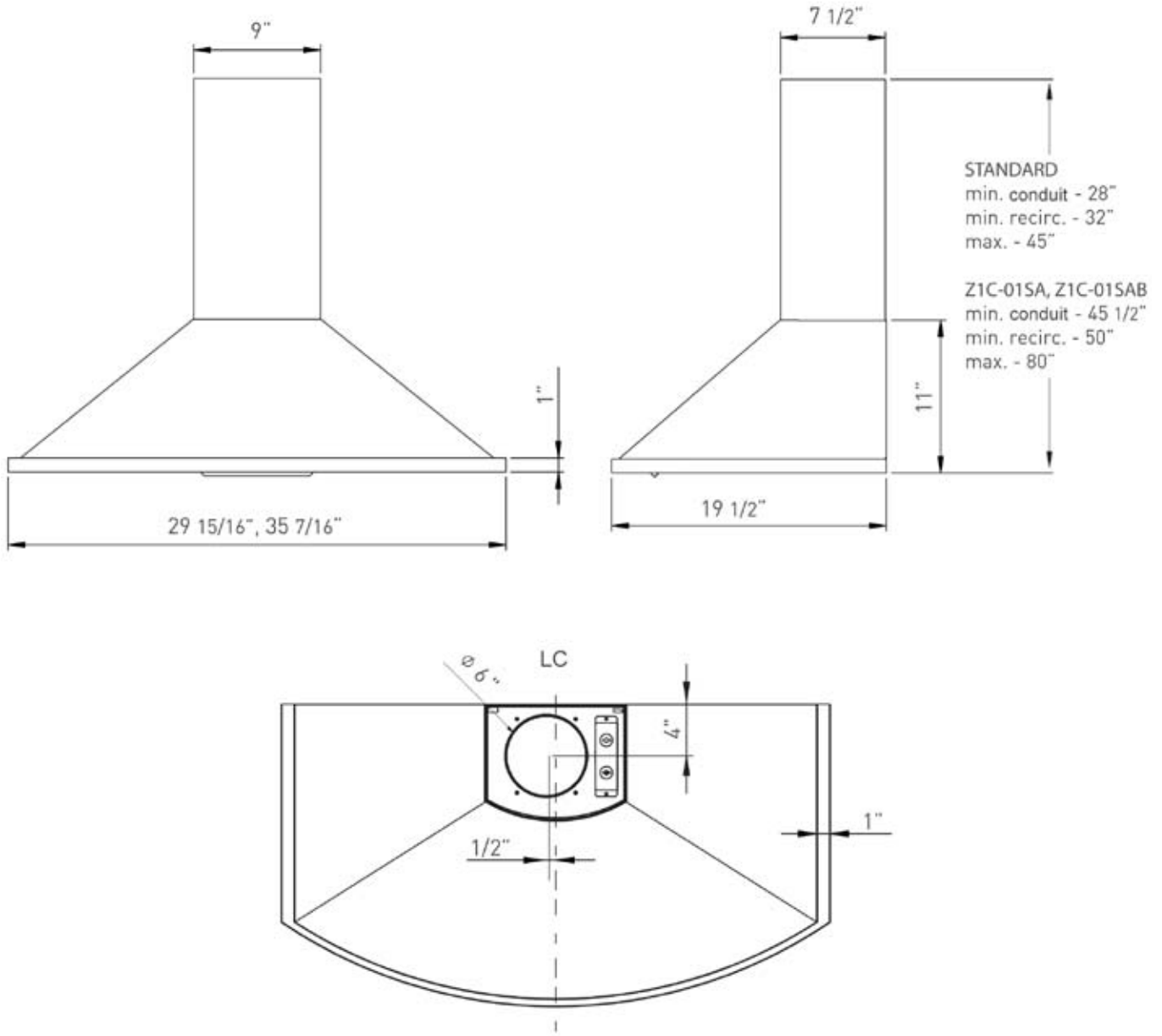
N'utilisez que des conduits en métal pour cloison simple.

Fixez toutes les pièces du conduit avec des vis à tôle et isolez tous les joints avec du ruban adhésif en toile ou du ruban réflecteur certifié.

Quelques options pour le conduit d'aération



Installation – Spécifications de la hotte



⚠ ATTENTION : Compte tenu du poids et des dimensions de la hotte, au moins deux installateurs sont nécessaires.

1. Prenez la mesure entre la surface de la cuisinière et la base de la hotte; marquez la ligne A (min. 26" à partir du dessus de la cuisinière).
2. Marquez la ligne centrale avec exactitude.
3. Marquez la ligne de hauteur de montage B (à 9-1/2" de la ligne A).
4. Marquez la largeur de montage à partir de la L/C (10" sur la ligne B).
5. Fixez les (2) vis M4x1-1/4" aux poutres de la ligne B. Ne tournez pas les vis jusqu'au fond. Note : Vous pourriez avoir à ajouter des renforcements de bois pourraient derrière la cloison sèche si aucune poutre n'est présente. Des dispositifs d'ancrage au mur peuvent également être utilisés, mais vérifiez d'abord les réglementations locales avant d'utiliser de tels dispositifs.
6. Enlevez les deux (2) filtres à tamis en aluminium.
7. Accrochez la hotte aux vis de montage et serrez chaque vis à la main (Fig. A).
8. Centrez et fixez à l'aide de (2) vis M4 x 1" le support de montage du recouvrement de conduit au mur juste en-dessous du plafond ou de la retombée de plafond.
9. Procédez à l'installation électrique et installez le conduit. Scellez le conduit avec du ruban à conduit en aluminium.
10. Procédez à l'installation électrique et installez le conduit. Scellez le conduit avec du ruban à conduit en aluminium.
10. Mettez la hotte sous tension et vérifiez s'il y a des fuites d'air autour du ruban à conduit.
11. Fixez les plaques de recouvrement coulissantes du conduit à la hotte et faites glisser la plaque de recouvrement intérieure (partie supérieure) vers le haut. Fixez-la au support de fixation du recouvrement de conduit à l'aide de deux (2) vis M4 x 8". Réinstallez les filtres à tamis.
12. Fixez les plaques de recouvrement coulissantes du conduit à la hotte et faites glisser la plaque de recouvrement intérieure (partie supérieure) vers le haut. Fixez-la au support de fixation du recouvrement de conduit à l'aide de deux (2) vis M4 x 3/8".

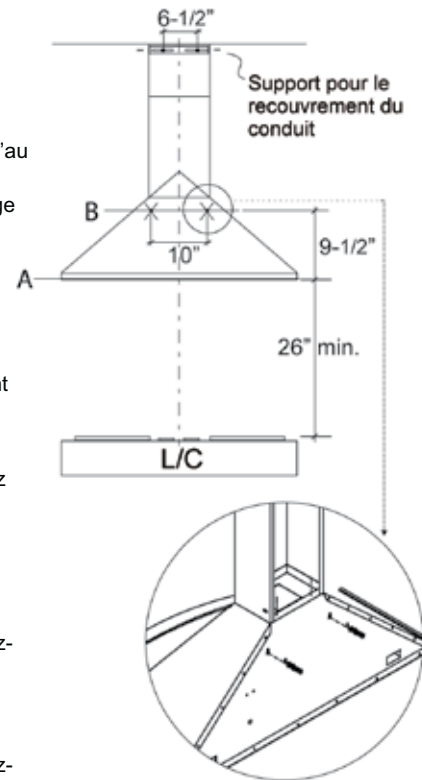


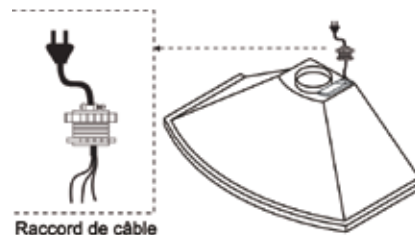
FIG. A

*Si vous utilisez le mode de reprise d'air, vous devez fixer la plaque du déflecteur d'air au mur avant d'installer le conduit et les pièces de recouvrement du conduit. Vous aurez également à installer des filtres à charbon et des supports. Consultez la page 10 pour obtenir plus de détails.

⚠ AVERTISSEMENT : Le câblage électrique doit être effectué par une ou des personnes qualifiées selon les stipulations de tous les normes et standards en vigueur. Éteignez l'alimentation électrique à l'entrée de service avant de procéder au câblage.

Raccord de câble :

Un raccord de câble (non inclus) pourrait également être exigé par les normes et réglementations locales. Informez-vous des exigences et des normes locales. Achetez et installez le connecteur approprié si nécessaire.



La configuration de reprise sans conduit a été conçue pour les applications où il est impossible d'installer un conduit d'aération. Lorsque transformée, la hotte fonctionne comme une hotte de reprise d'air plutôt que comme un système d'évacuation d'air. Les vapeurs et fumées de cuisson sont aspirées et filtrées par un ensemble optionnel de filtres à charbon. L'air est ensuite purifié et redirigé à l'intérieur de la maison.

Nous recommandons de TOUJOURS évacuer l'air à l'extérieur de la maison en utilisant le conduit en place ou, s'il y a possibilité, en installant un nouveau conduit. La hotte est plus efficace lorsqu'utilisée comme système d'évacuation d'air. Vous ne devriez recourir à la configuration de reprise d'air que lorsqu'il est impossible d'installer un conduit d'aération.

Lorsque la configuration de reprise d'air est choisie, un ensemble de filtres à charbon doit être installé sur l'ensemble de filtres à tamis standards. Commandez-les en vous référant au numéro de pièce ci-dessous. Les filtres à tamis standards sont conçus pour capturer les résidus de cuisson et les filtres à charbon optionnels aident à la purification des vapeurs et fumées de la cuisson lors de la reprise d'air.

ENSEMBLE DE REPRISE D'AIR (REQUIS SI AUCUN CONDUIT N'EST UTILISÉ)

L'ensemble comprend des filtres à charbon et un déflecteur d'air.

| Modèle de hotte | Numéro de pièce | Filtres et supports par paquet |
|-----------------|-----------------|--------------------------------|
| ZSA | ZRC-00SV | 2 |

1. Procurez-vous l'ensemble de reprise d'air en utilisant le numéro de pièce ci-dessus
2. Fixez le déflecteur au mur, sous le support mural de recouvrement de conduit (FIG. B). Installez le conduit de 6" à la partie supérieure de la hotte et fixez-le à la plaque du déflecteur d'air.
3. Retirez les filtres à tamis métalliques de la hotte. Fixez les supports à filtres à charbon au boîtier de la hotte derrière chaque filtre à tamis à l'aide des vis fournies dans l'ensemble de reprise d'air. Fixez les filtres à charbon sur le support de filtres à charbon situé à l'intérieur de la hotte (FIG. B).
4. Réinstallez les filtres à tamis.
5. Les filtres à charbon doivent être remplacés après 120 heures d'utilisation (ou approximativement tous les 3-4 mois à raison de 1-2 heures d'utilisation quotidienne).

Filtres à charbon de remplacement

| Modèle de hotte | Numéro de pièce | Quantité à commander |
|-----------------|-----------------|----------------------|
| ZSA | ZOF-C002 | 2 |

NE NETTOYEZ PAS LES FILTRES À CHARBON. Vous pourriez avoir à changer les filtres à charbon plus souvent selon vos habitudes culinaires.

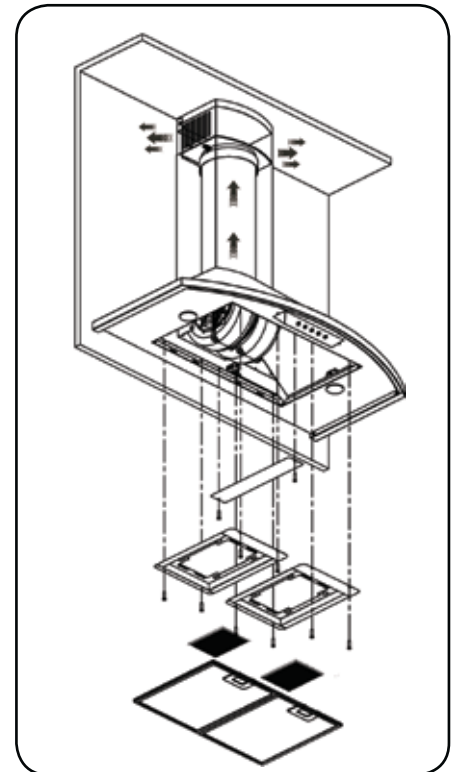
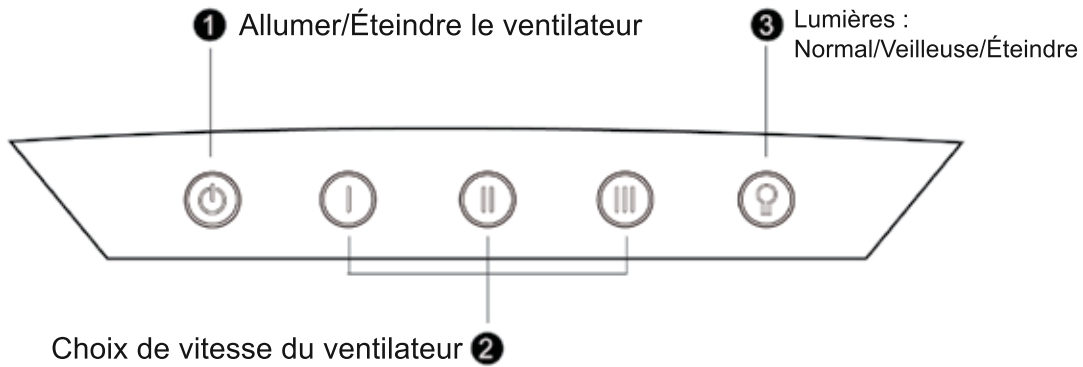

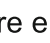


FIG.B



- 1 Allumer/Éteindre le ventilateur**
 Appuyez sur  pour allumer et éteindre le ventilateur.
 Si les lumières sont allumées, elles s'éteindront aussi lorsque vous appuierez sur ce bouton.
- 2 Choix de vitesse du ventilateur**
 Appuyez sur ce bouton pour choisir les vitesses 1, 2 et 3 du ventilateur. Lorsque le ventilateur est allumé, un témoin arrière DEL bleu illuminera le bouton de choix de vitesse et le bouton de mise sous tension correspondant.
- 3 Lumières : Normal/Veilleuse/Éteindre**
 Appuyez sur  pour allumer les lumières, les mettre en veilleuse ou les éteindre. Lorsque les lumières sont allumées en mode normal, un témoin arrière DEL bleu illuminera le bouton.

ENTRETIEN DES SURFACES

Nettoyez régulièrement les surfaces de la hotte avec de l'eau savonneuse chaude et un chiffon de coton propre. N'utilisez pas de détergent abrasif ou corrosif, de laines d'acier ou de tampons à récurer; ils égratigneront et endommageront les surfaces.

Pour les taches plus tenaces, utilisez du produit dégraissant liquide.

Après le nettoyage, vous pouvez polir les surfaces avec des produits de polissage à acier inoxydable non abrasifs pour redonner de l'éclat et du lustre aux surfaces. Frottez toujours doucement, avec un chiffon de coton propre, et dans le sens du grain.

N'utilisez pas de produits à blanchir au chlore ou d'agents nettoyants « orange ».

Filtres à tamis en aluminium

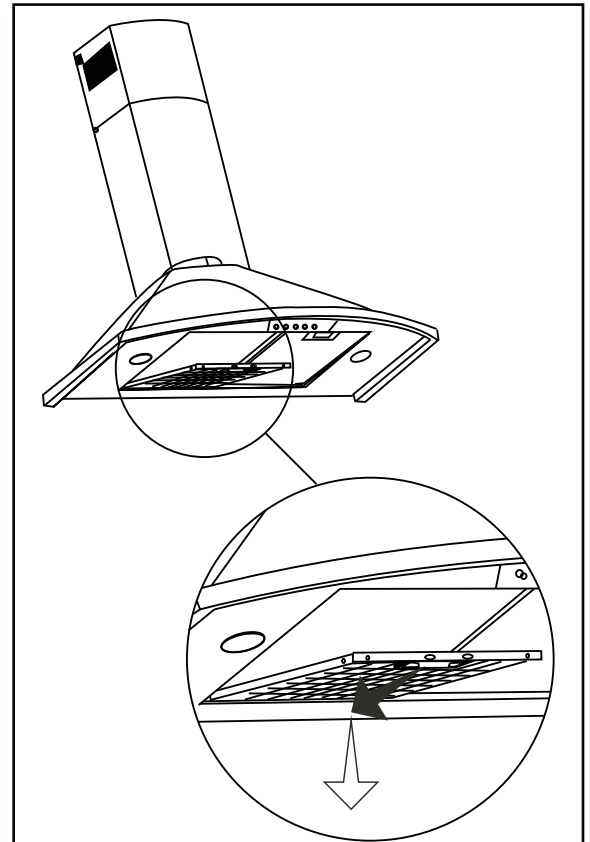
Les filtres à tamis en aluminium installés par le fabricant ont pour fonction de filtrer les résidus et la graisse de cuisson. Ils ne nécessitent aucun remplacement sur une base régulière, mais doivent être gardés propres.

Enlevez-les et nettoyez-les à la main ou au lave-vaisselle avec de l'eau tiède. Vaporisez avec du détergent pour graisse et laissez tremper pour éliminer la saleté accumulée.

Séchez les filtres et réinstallez-les avant d'utiliser la hotte.

Pour enlever les filtres à tamis en aluminium

1. Poussez sur les poignées à ressort
2. Tirez sur la poignée du filtre vers le bas pour enlever le filtre



REPLACEMENT DES AMPOULES

ATTENTION : Les ampoules deviennent extrêmement chaudes lorsqu'allumées.

Veillez NE PAS les toucher avant de les avoir éteintes et laissées refroidir. Le contact avec les ampoules chaudes pourrait causer de sérieuses brûlures.

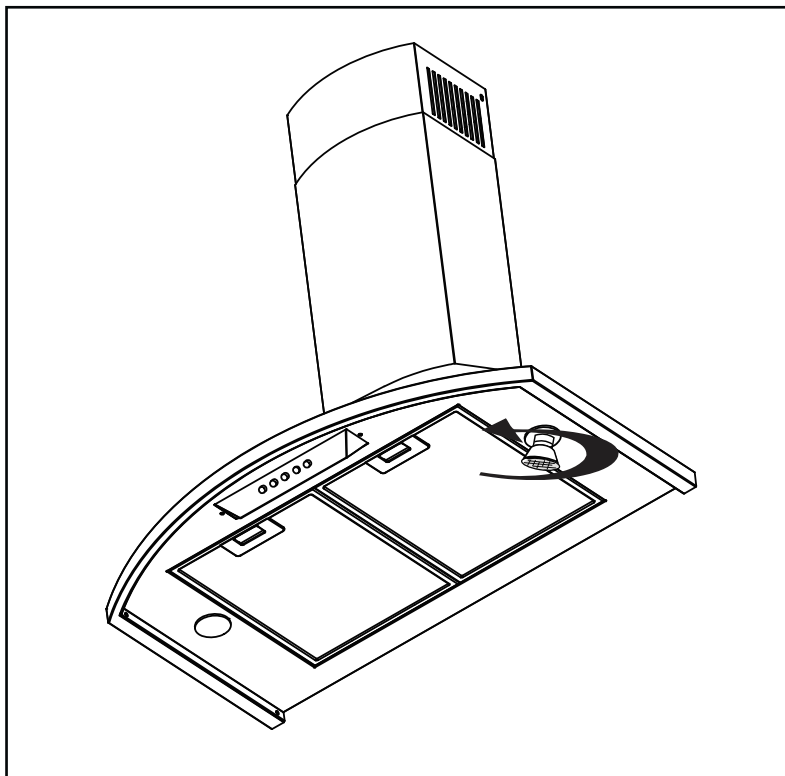
Assurez-vous que l'alimentation électrique est coupée et que les ampoules ne sont pas chaudes.

Enlevez les ampoules en les dévissant dans le sens contraire des aiguilles d'une montre. Note : les ampoules ne se dévissent pas; après une rotation de 60 degrés, elles s'arrêtent et tombent de la douille.

Lorsqu'il est difficile de retirer les ampoules après un usage prolongé, fixez la ventouse fournie ou utilisez des gants en latex et tournez dans le sens inverse des aiguilles d'une montre.

Les ampoules de remplacement sont disponibles dans les magasins spécialisés en éclairage. Procurez-vous des ampoules halogènes GU-10 50W.

Consultez la page 16 du présent guide pour obtenir les numéros de pièces Zephyr.



PROCÉDURES DE DÉPANNAGE POUR LA HOTTE ZSA

| Problème | Cause | Solution |
|--|--|---|
| Après l'installation, l'appareil ne fonctionne pas. | 1. Le bloc d'alimentation n'est pas allumé | 1. Assurez-vous que l'alimentation du disjoncteur et de l'appareil est allumée |
| | 2. La ligne électrique et le raccord de câble ne sont pas correctement branchés | 2. Vérifiez que le branchement de l'appareil a été fait correctement |
| | 3. Les fils électriques du tableau de contrôle et de commande sont débranchés | 3. Assurez-vous que les fils électriques entre les tableaux de contrôle et de commande sont branchés convenablement |
| | 4. Tableau de contrôle/commande défectueux | 4. Remplacez le tableau de contrôle/commande |
| Les lumières fonctionnent, mais le moteur ne tourne pas. | 1. Le moteur est défectueux, possiblement bloqué | 1. Remplacez le moteur |
| | 2. Le système de protection thermique détecte que le moteur est trop chaud pour fonctionner et l'éteint. | 2. Le moteur fonctionnera normalement lorsque le système de protection thermique aura refroidi |
| | 3. Le condensateur est endommagé | 3. Remplacez le condensateur |
| | 4. Tableau de contrôle/commande défectueux | 4. Remplacez la pièce défectueuse |
| L'appareil vibre. | 1. Le moteur n'est pas bien fixé en place | 1. Fixez solidement le moteur en place |
| | 2. La roue du ventilateur est endommagée | 2. Remplacez le ventilateur |
| | 3. La hotte n'est pas bien fixée en place | 3. Vérifiez l'installation de la hotte |
| | 4. Tableau de contrôle/commande défectueux | 4. Remplacez la pièce défectueuse |
| Le moteur fonctionne, mais pas les lumières. | 1. L'ampoule halogène est défectueuse | 1. Remplacez l'ampoule halogène |
| | 2. L'ampoule est desserrée | 2. Serrez l'ampoule |
| La hotte ne fonctionne pas bien. | 1. La hotte est possiblement installée trop haut par rapport à la cuisinière | 1. Ajustez la distance entre la surface de la cuisinière et la base de la hotte entre 28" et 36" |
| | 2. Du vent provenant d'une fenêtre ou d'une porte ouverte avoisinante nuit à la ventilation | 2. Fermez toutes les portes et fenêtres pour éliminer les courants d'air |
| | 3. L'ouverture du conduit ou le conduit lui-même est bloqué | 3. Enlevez tout ce qui bloque l'ouverture ou le conduit d'aération |
| | 4. L'ouverture du conduit est contre le vent | 4. Ajustez l'orientation de l'ouverture du conduit |
| | 5. Mauvaises dimensions de conduit d'aération | 5. Remplacez le conduit par un conduit adéquat de 6" de diamètre ou plus pour le ventilateur interne et de 8" ou plus pour le ventilateur externe |
| Le filtre en métal vibre. | 1. Le filtre en métal est desserré | 1. Remplacez le filtre en métal |



C US

182766

Modèle ZSA-E30/M90Bx290

Tension 120V 60Hz 1.5A

Consommation d'énergie

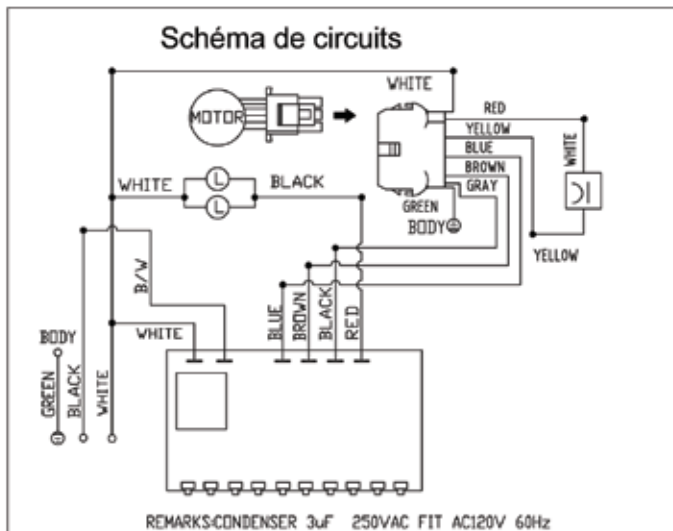
Total: 171W

Lampe: Max.50Wx2

Ventilateur: 71W

DATE:

Protégé thermiquement



C US

182766

Modèle ZSA-E30BS/BB

Modèle ZSA-M90BS/BB

Tension 120V 60Hz 3.5A

Consommation d'énergie

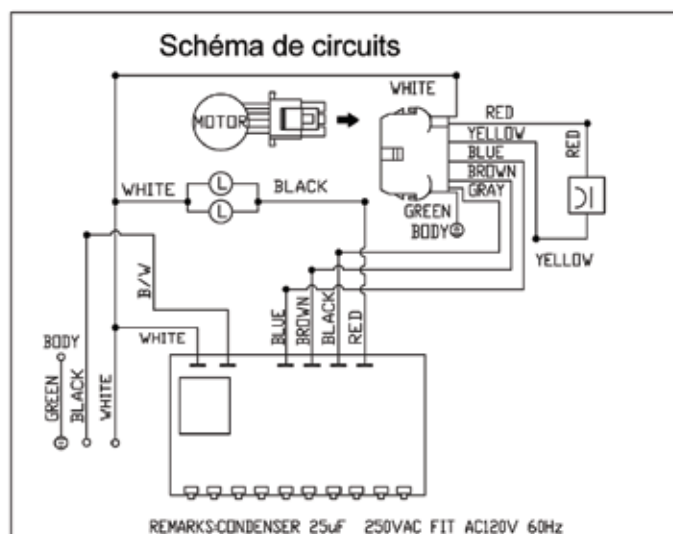
Total: 426W

Lampe: Max.50Wx2

Ventilateur: 326W

DATE:

Protégé thermiquement



Listes des pièces et des accessoires

DESCRIPTION

N° DE PIÈCE

Pièces de remplacement

Ampoule GU10 50W (chaque)

Z0B-0020

Filtre à tamis en aluminium (chaque)

50200011

Accessoires optionnels

Ensemble de reprise d'air

ZRC-00SV

Filtres à charbon de remplacement (chaque)

Z0F-C002

Ensemble de prolongement de recouvrement, de conduit

Z1C-01SA (SS), Z1C-01SAB (Noir)

Pour commander des pièces, visitez-nous en ligne au www.zephyronline.com
ou communiquez avec nous par téléphone au 1-888-880-8368

ZEPHYR

Garantie limitée

AGRAFEZ VOTRE REÇU ICI

Une preuve de la date d'achat originale est nécessaire pour obtenir du service lorsque le produit est sous garantie

POUR OBTENIR DU SERVICE SOUS GARANTIE OU POUR TOUTE QUESTION LIÉE À L'ENTRETIEN, veuillez communiquer avec nous au 1-888-880-8368

Zephyr Corporation (désigné aux présentes sous le nom de « nous ») garantit au premier acheteur (désigné aux présentes sous le nom de « vous » ou « votre ») de produits Zephyr (les « Produits ») que lesdits produits sont exempts de défauts de fabrication ou de main-d'œuvre selon les conditions suivantes :

Garantie de deux ans sur les pièces : Garantie de deux ans à partir de la date d'achat originale du Produit. Nous fournirons sans frais les Produits ou les pièces de remplacement qui comportaient des défauts de fabrication. Nous pourrions choisir, à notre seule discrétion, de réparer ou de remplacer des pièces avant de prendre la décision de remplacer le Produit.

Garantie limitée d'un an sur la main-d'œuvre : Garantie d'un an à partir de la date d'achat originale du Produit. Nous couvrirons sans frais les frais de main-d'œuvre afférents à la réparation du Produit ou des pièces de remplacement qui comportaient des défauts de fabrication. Un an après la date d'achat originale, vous serez responsable de tous les frais de main-d'œuvre associés à la présente garantie.

Exclusions de la garantie : Cette garantie ne couvre que la réparation ou le remplacement, à notre gré, de pièces ou de Produits défectueux et ne couvre aucun autre coût afférent aux Produits, dont, sans s'y limiter, les frais liés : (a) à l'entretien normal des Produits et au remplacement des pièces consommables, comme les ampoules, les filtres métalliques, les filtres à charbon et les fusibles; (b) à tout Produit ou pièce ayant été endommagé durant le transport ou étant le résultat d'un mauvais usage, d'une négligence, d'un accident, d'une installation incorrecte ou ne respectant pas les notices d'installation recommandées, d'un entretien ou d'une réparation inapproprié (dont ne nous sommes pas responsables); (c) à une utilisation commerciale ou ne correspondant pas à l'utilisation pour laquelle les Produits sont conçus; (d) à l'usure naturelle du fini, à l'usure due à un entretien inadéquat, à l'utilisation de produits nettoyants corrosifs ou abrasifs, de tampons nettoyeurs et de produits de nettoyage pour le four; (e) aux éclats, entailles ou fissures résultant d'un abus ou d'une mauvaise utilisation du Produit; (f) aux déplacements d'un technicien de service à votre domicile pour vous montrer comment utiliser les Produits; (g) aux dommages causés par un accident, un incendie, une inondation ou un cas fortuit. Si vous vous trouvez à l'extérieur du territoire que nous desservons, des frais supplémentaires pourraient s'appliquer pour la livraison des produits à nos points de service désignés pour une réparation sous garantie ou vous pourriez avoir à déboursier les frais de déplacement du technicien à votre domicile pour que le Produit soit réparé, enlevé ou réinstallé. Un an après la date d'achat originale du Produit, vous êtes également responsable de tous les frais de main-d'œuvre associés à la présente garantie.

Restrictions de la garantie. NOTRE OBLIGATION DE RÉPARER OU DE REMPLACER, À NOTRE GRÉ, LE PRODUIT CONSTITUE VOTRE SEUL ET UNIQUE RECOURS SOUS LA PRÉSENTE GARANTIE. NOUS NE NOUS PORTONS PAS RESPONSABLES POUR TOUT DOMMAGE INDIRECT, ACCESSOIRE OU PARTICULIER RÉSULTANT OU AYANT UN LIEN AVEC L'UTILISATION OU LE RENDEMENT DES PRODUITS. LES GARANTIES EXPRESSES DE LA SECTION PRÉCÉDENTE SONT EXCLUSIVES ET TIENNENT LIEU DE TOUTE AUTRE GARANTIE EXPRESSE. PAR LES PRÉSENTES, NOUS REJETONS ET EXCLUONS TOUTE AUTRE GARANTIE EXPRESSE POUR LES PRODUITS ET TOUTES LES GARANTIES TACITES PRÉVUES PAR LA LOI, DONT CELLES RELATIVES À LA QUALITÉ MARCHANDE OU À L'ADÉQUATION DU PRODUIT POUR UNE UTILISATION PARTICULIÈRE. Certains États ou provinces n'autorisent pas les restrictions sur la durée d'une garantie implicite ou l'exclusion ou la restriction des dommages indirects ou accessoires; par conséquent, les exclusions et restrictions mentionnées ci-dessus pourraient ne pas s'appliquer à votre cas. Dans la mesure où une loi applicable interdit l'exclusion de garanties implicites, la durée de toute garantie implicite applicable se limite à la période de deux ans décrite ci-dessus. L'unique objectif de toute description orale ou écrite est de présenter les Produits et celle-ci ne devrait pas être interprétée comme une garantie expresse. Avant d'utiliser ou de permettre l'utilisation des Produits, vous devrez déterminer si les Produits conviennent aux utilisations prévues et vous devrez assumer tout risque et toute responsabilité relatifs à ces utilisations. Nous nous réservons le droit d'utiliser des pièces reconstruites ou remises à neuf pour remplacer l'une des fonctionnalités dans le cadre de la présente garantie ou de l'une des parties de la présente garantie. L'acheteur original ne peut transférer la présente garantie et celle-ci n'est valide qu'aux États-Unis et au Canada.

Pour obtenir du service sous la garantie : Pour avoir droit à du service sous garantie, vous devez : (a) nous avertir en utilisant l'adresse ou le numéro de téléphone inscrit ci-dessous dans les soixante jours suivant la détection du défaut; (b) donner le numéro du modèle, le numéro d'identification de la pièce ainsi que le numéro de série; et (c) décrire la nature de tout défaut de la pièce ou du Produit. Au moment de faire la demande de service sous garantie, vous devrez présenter votre preuve d'achat et la preuve de la date d'achat originale. Si nous déterminons que les exclusions de la garantie énumérées ci-dessus s'appliquent ou si vous vous trouvez dans l'incapacité de nous fournir la documentation nécessaire pour obtenir du service, vous serez responsable de tous les frais d'expédition, de déplacement, de main-d'œuvre ou de tout autre coût afférent au service.

Veuillez consulter notre site Web au www.zephyronline.com pour savoir si des révisions ont été apportées à la garantie.

Zephyr Corporation Service Department, 2277 Harbor Bay Parkway, Alameda, CA 94502 1-888-880-8368

Free Manuals Download Website

<http://myh66.com>

<http://usermanuals.us>

<http://www.somanuals.com>

<http://www.4manuals.cc>

<http://www.manual-lib.com>

<http://www.404manual.com>

<http://www.luxmanual.com>

<http://aubethermostatmanual.com>

Golf course search by state

<http://golfingnear.com>

Email search by domain

<http://emailbydomain.com>

Auto manuals search

<http://auto.somanuals.com>

TV manuals search

<http://tv.somanuals.com>