

# Use, Care and Installation Guide

Read all Instructions before Installing and operating this appliance

## Important Safety Notice

Read and save these instructions

MODEL: ZTO-M79S

### **WARNING**

TO REDUCE THE RISK OF FIRE OR ELECTRIC SHOCK, DO NOT USE THIS FAN WITH ANY SOLID-STATE CONTROL DEVICE.

### **WARNING**

TO REDUCE THE RISK OF FIRE, ELECTRIC SHOCK, OR INJURY TO PERSONS, OBSERVE THE FOLLOWING:

- a. Use this unit only in the manner intended by the manufacturer, if you have questions, contact the manufacturer.
- b. Before servicing or cleaning unit, switch power off at service panel and lock panel to prevent power from being switched on accidentally. When the service disconnecting means cannot be locked, securely fasten a prominent warning device, such as a tag, to the service panel.

### **CAUTION**

For general ventilating use only. Do not use to exhaust cigarette ashes, hazardous or explosive materials and vapors.

### **WARNING**

TO REDUCE THE RISK OF RANGE TOP GREASE FIRE:

- a. Never leave surface units unattended at high settings. Boilovers cause smoking and greasy spillovers that may ignite. Heat oils slowly on low or medium settings.
- b. Always turn hood ON when cooking at high heat or when flambeing food (ie: Crepes Suzette, Cherries Jubilee, Peppercorn Beef Flambe)
- c. Clean ventilating fans frequently. Grease should not be allowed to accumulate on fan or filter.
- d. Use proper pan size. Always use cookware appropriate for the size of the surface element.

# Important Safety Notice

Read and save these instructions

MODEL: **ZTO-M79S**

## **WARNING**

TO REDUCE THE RISK OF FIRE, ELECTRIC SHOCK OR INJURY TO PERSONS, OBSERVE THE FOLLOWING:

- a. Installation work and electrical wiring must be done by qualified person (s) in accordance with all applicable codes and standards. Including fire-rated construction.
- b. Sufficient air is needed for power combustion and exhausting of gases through the flue (chimney) of fuel burning equipment to prevent back drafting. Follow the heating equipment manufacturer's guideline and safety standards such as those published by the National Fire Protection Association (NFPA) and the American Society for Heating, Refrigeration and Air Conditioning Engineers (ASHRAE) and the local code authorities.
- c. When cutting or drilling into wall or ceiling, do not damage electrical wiring and other hidden utilities.
- d. Ducted fans must always vent to the outdoors.

## **WARNING**

TO REDUCE THE RISK OF FIRE, USE ONLY METAL DUCTWORK.

## **CAUTION**

To reduce risk of fire and to properly exhaust air outside - Do not vent exhaust air into spaces within walls, ceilings, attics, crawl spaces or garages.

## **WARNING**

TO REDUCE THE RISK OF SHOCK, THIS FAN MUST BE INSTALLED WITH AN ISOLATING WALL CONTROL/SWITCH.

## **OPERATION**

Always leave safety grills and filters in place. Without these components, operating blowers could catch onto hair, fingers and loose clothing.

**The manufacturer declines all responsibility in the event of failure to observe the instructions given here for installation, maintenance and suitable use of the product. The manufacturer further declines all responsibility for injury due to negligence and the warranty of the unit automatically expires due to improper maintenance.**

**\*NOTE:** Please check [www.zephyronline.com](http://www.zephyronline.com) for revisions before doing any custom work.

# CONTENTS

## INSTALLATION

Mount heights & clearance	1
Ducting	1,2,3
Specifications	4
Electrical	4
Mounting the hood	5,6
EZ Anchors	6
Ductless Conversion	7
Carbon Filters	7

## FEATURES & CONTROLS

Touch controls & features	8
Advance display functions	8
Filter change indicator	8,9
Filter clean indicator	8,10

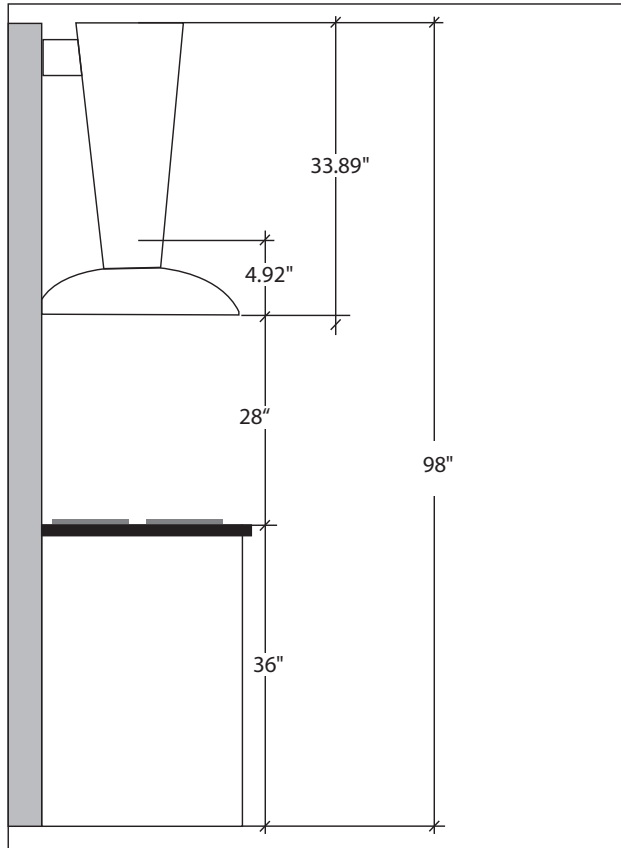
## MAINTENANCE

Cleaning	11
Lights replacement	12

## WARRANTY

Coverage & exceptions	13
-----------------------	----

## MOUNT HEIGHTS & CLEARANCE



Minimum mount height between range top to hood bottom should be no less than 28".

Maximum mount height should be no higher than 32"

It is important to install the hood at the proper mounting height. Hoods mounted too low could result in heat damage and fire hazard; while hoods mounted too high will be hard to reach and will lose its performance and efficiency.

If available, also refer range manufacturer's height clearance requirements and recommended hood mounting height above range.

\*Minimum ceiling clearance 97.89" at 28" hood mounting height.

\*\*Maximum ceiling clearance 101" at 32" hood mounting height.

## DUCTING

A minimum of 6" round or 3-1/4 x 10" rectangular duct must be used to maintain maximum air flow efficiency.

Always use rigid type metal ducts only. Flexible ducts could restrict air flow by up to 50%.

Also use calculation (on right) to compute total available duct run when using elbows, transitions and caps.

ALWAYS, when possible, reduce the number or transitions and turns. If long duct run is required, increase duct size from 6" to 7 or 8". If a reducer is used, install a long reducer instead of a pancake reducer. Reduce duct size as far away from opening as possible.

If turns or transitions are required: Install as far away from opening and as far apart, between 2, as possible.

### Minimum Duct Size:

Round- 6" minimum

Rectangular- 3-1/4 x 10" minimum (requires a 6" to 3-1/4x10" adaptor not supplied)

### Duct Run Calculation:

#### Maximum run

6" or 3-1/4 x 10" duct	100 FT
Deduct:	
each 90 Elbow used	15 FT
each 45 elbow used	9 FT
each 6" to 3/14 x 10"	
transition used	1 FT
each 3/14 x 10" to 6"	
transition used	5 FT
Side Wall Cap w/ damper	30 FT
Roof Cap	30 FT

e.g.- 1 roof cap, 2x90 elbows, 1 45 elbow used: =30' + 30' + 9' =69' used, 31' available for straight duct runs.

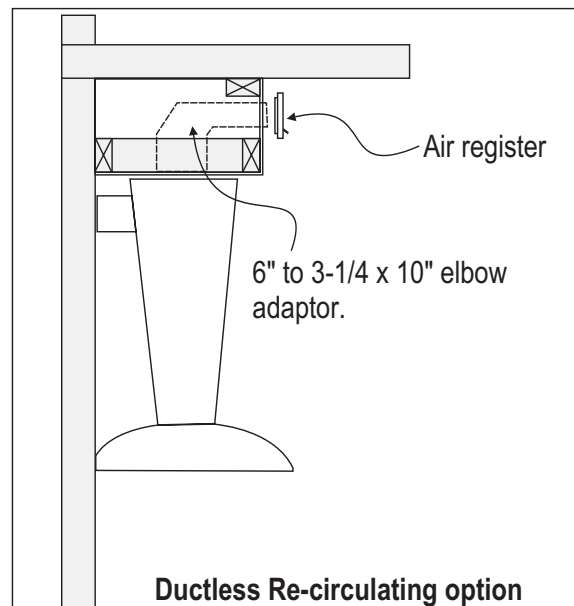
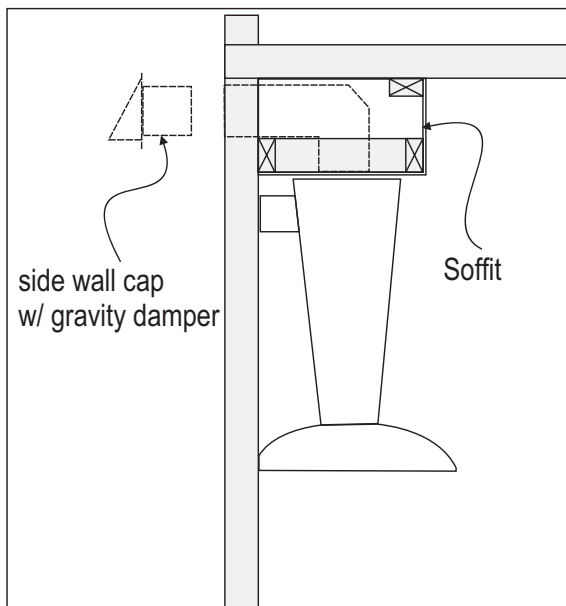
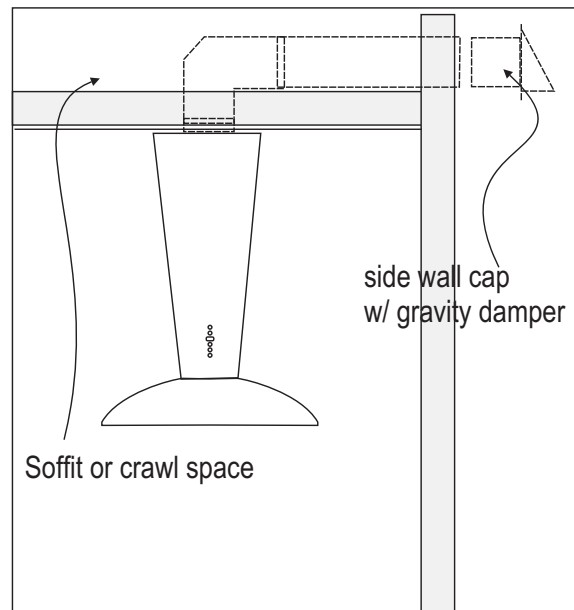
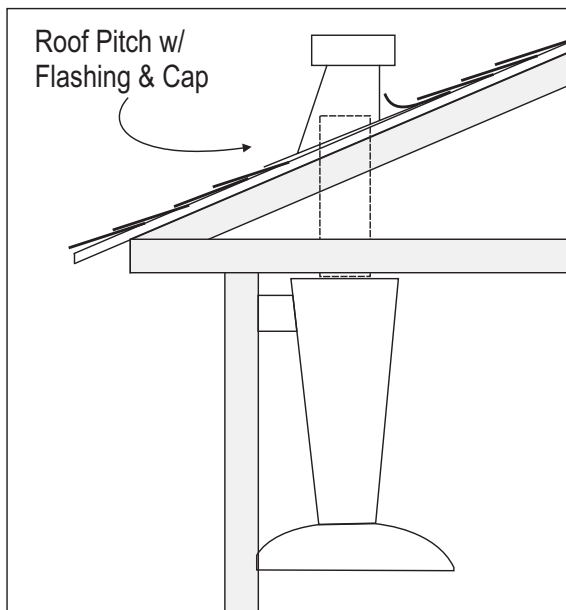
## DUCTING

**WARNING: FIRE HAZARD**

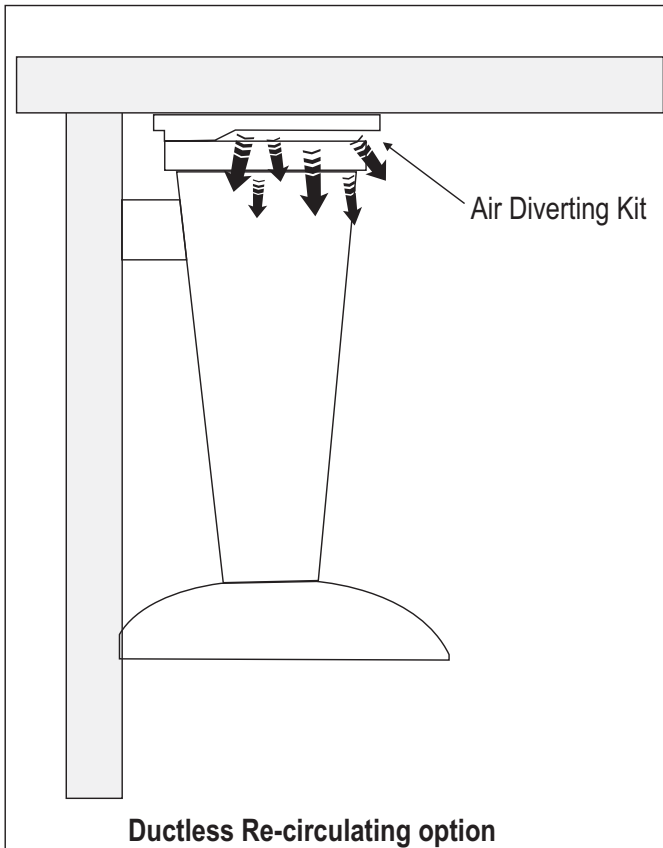
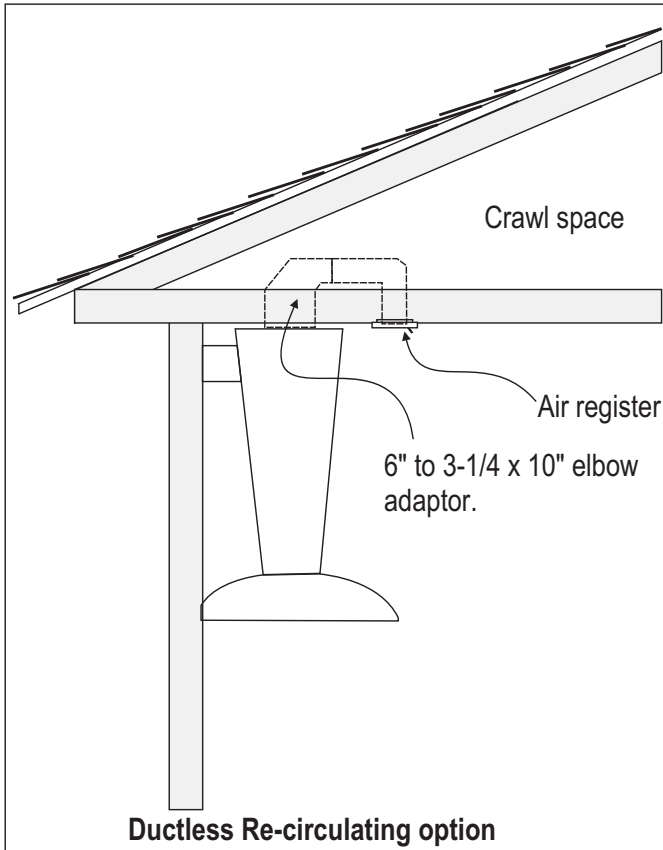
NEVER exhaust air or terminate duct work into spaces between walls, crawl spaces, ceiling, attics or garages. All exhaust must be ducted to the outside.

Use Metal ductwork only.

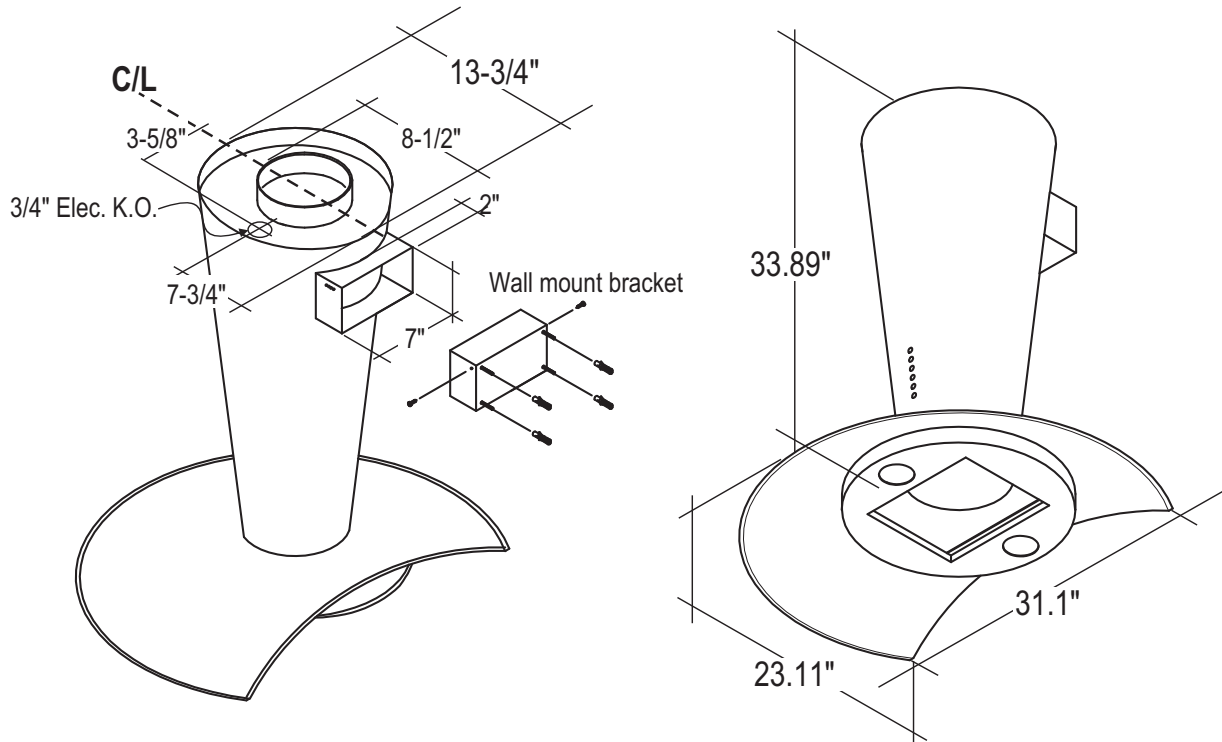
Fasten all connections with sheet metal screws and tape all joints w/ certified Silver Tape or Duct Tape.

**Some Ducting Options:**

## DUCTING



## SPECIFICATIONS



## ELECTRICAL

**WARNING:**

All Electrical work must be performed by qualified electrician or person with similar technical know how and background.

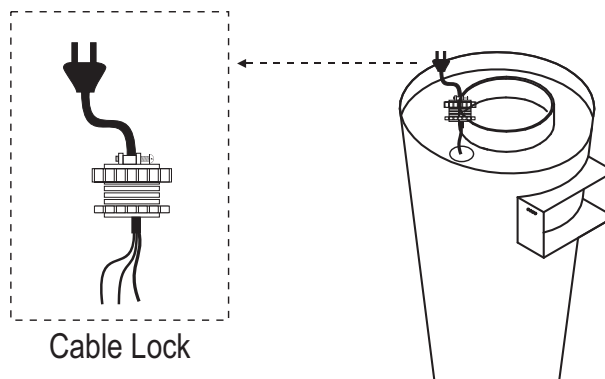
For personal safety, remove house fuse or open circuit breaker before beginning installation. Do not use extension cord or adapter plug with this appliance. Follow National electrical codes or prevailing local codes and ordinances.

**Electrical Supply:**

This appliance requires a 120V 60Hz electrical supply., and connected to an individual, properly grounded branch circuit, protected by a 15 or 20 ampere circuit breaker or time delay fuse. Wiring must be 2 wire w/ ground. Please also refer Electrical Diagram labeled on product.

**Cable Lock:**

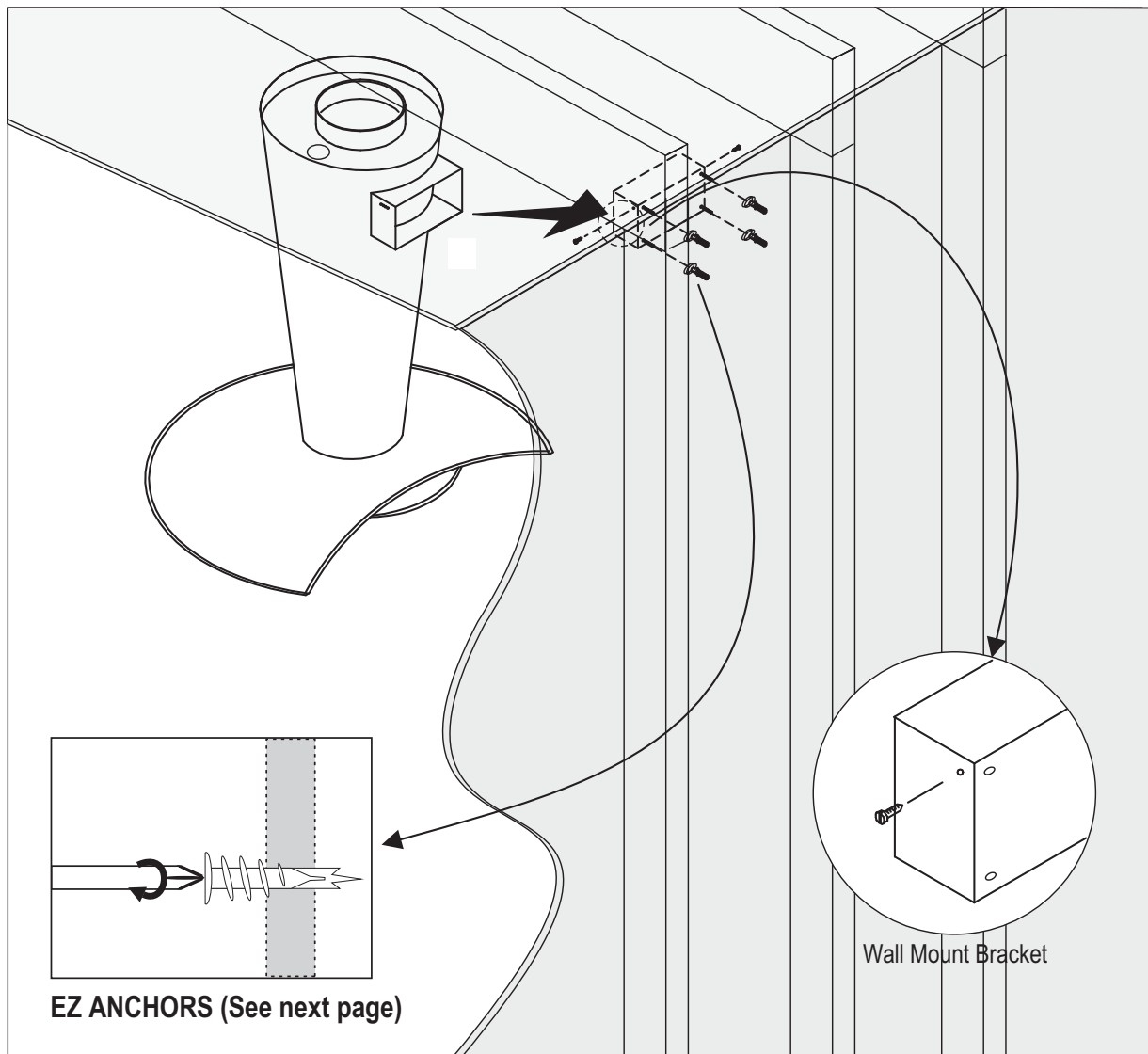
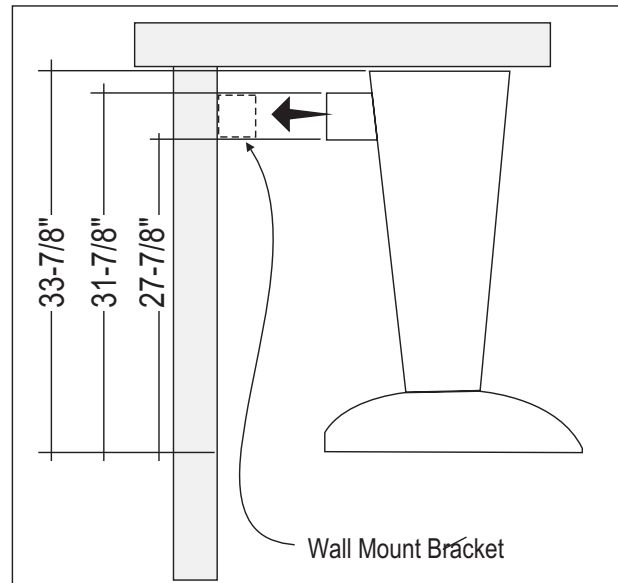
A cable locking connector (not supplied) might also required by local codes. Check with local requirements and codes, purchase and install appropriate connector if necessary.



## INSTALLATION

### Mounting the Range Hood

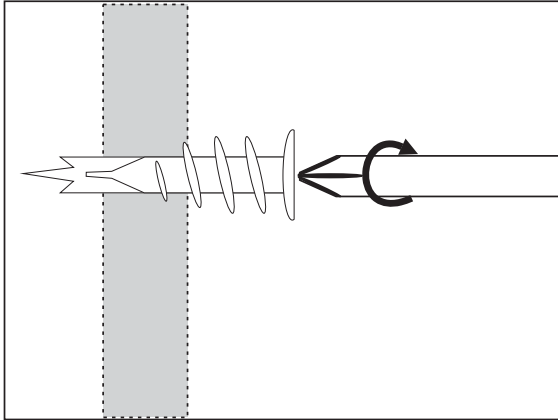
1. Mark hood center on Center hood on wall.
2. Mark and Install Wall Mount Bracket to Wall. (For hollow drywall, use E-Z Anchors, please see next page)
3. Fasten hood onto Wall Mount Bracket with screws provided.





## INSTALLATION

## EZ ANCHORS



Tap EZ anchor tip into marked drywall locations, turn with screwdriver until seated flush.

**Note: Whenever possible, the hood should be secured to wall studs.**

*Use EZ anchors provided only on hollow drywall applications (minimum drywall thickness 1/2"). If a stud or wood surface is present, fasten anchors with screws directly into stud or plywood. For all other wall types (concrete, brick, tiles etc.), use appropriate anchors for mounting.*

## DUCTLESS CONVERSION

Ductless conversion is intended for applications where an exhaust duct work is not possible to be installed. When converted, the hood functions as a "purifying" hood rather than an exhaust hood. Fumes and exhaust from cooking is drawn and filtered by a set of optional Carbon Filters. The air is then purified and re-circulated back within the home.

We recommend to ALWAYS exhaust air outside of the home by employing existing or installing new duct work, if possible. The hood is most effective and efficient as an Exhaust unit. Only when the exhaust option is not possible should you recourse to converting the hood into a "purifying" unit.

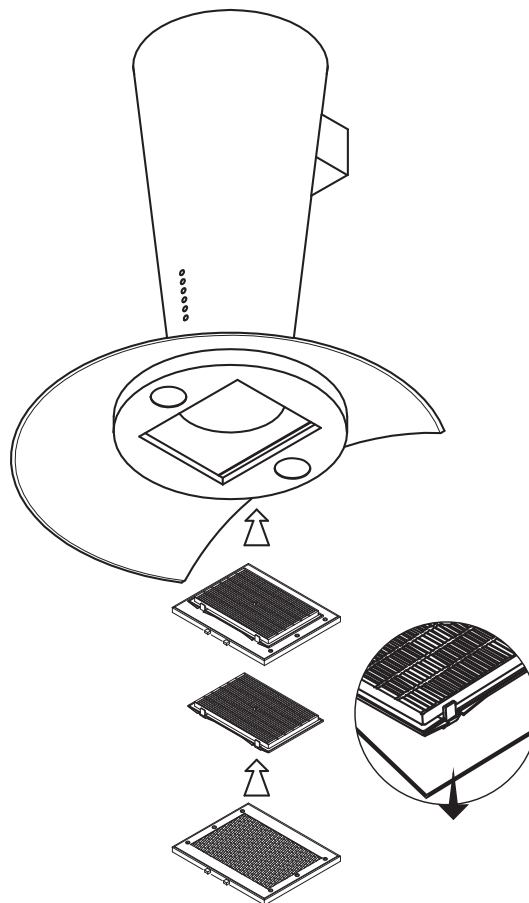
When converted to be a "purifying" unit, a set of Carbon Filters are required on top of its standard Metal Filter set. Order according to its Part number below. The standard Metal Filters are intended to capture residue from cooking and the optional Carbon Filters help to purify fumes exhausted from cooking for re-circulation.

### Carbon Filters (Required)

1. Purchase ductless Charcoal Filters as follow:

Hood Model:	Part No.	Filters in pkg.
ZTO-M79S	Z0F-C042	2

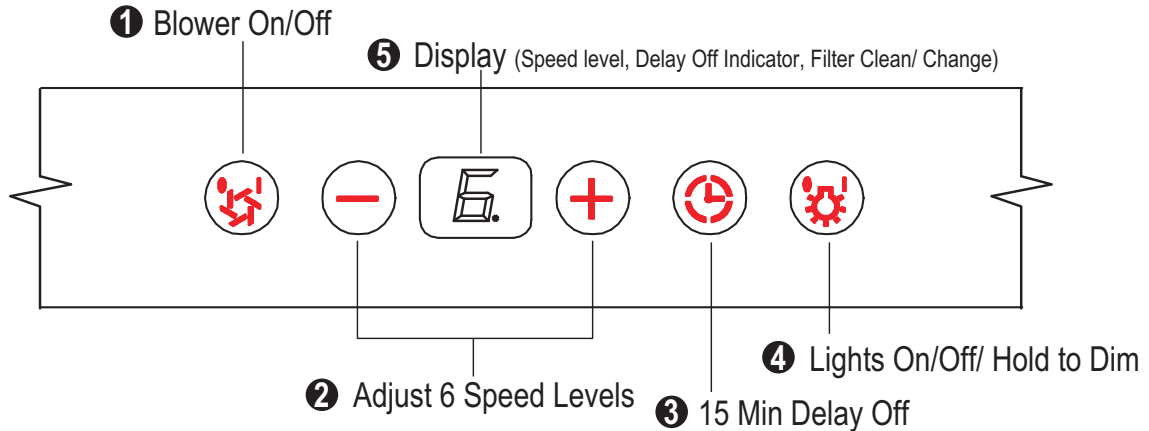
2. Remove metal filters on hood. Clip carbon filters onto each slot opening.
3. Re-install metal filters.
4. Turn on Filter Change Indicator on control panel(refer details pg. 7)
5. Carbon Filters must be replace after every 120 hours of use (or approximately every 2 to 3 months based on the average of 1-2hrs. of daily cooking time). The microprocessor in the controls when set, will elapsed and count usage time and indicate when carbon filter replacement is required every 120 hrs.



### Ducting

1. Refer Page 2&3 for ductless recirculating options.

## TOUCH CONTROLS &amp; FEATURES



**1 Blower On/Off**

By pressing , the blower is switched On and Off. When switched on, the blower starts up on speed level 3.

**2 Speed Selection**

The 6 speed levels are selected by pressing  to decrease and  to increase speed level. The display indicates level selected.

**3 Delay Off**

This is used for programmed shut down of blower and lights 15 minutes after the function is activated. Press  once, a dot flashes in the lower right hand side of display  indicating the function is on. The hood will completely shut down in 15 minutes.

**4 Lights On/Off/ Dim**

Switch lights On and Off by pressing key  once. To dim lights, press and hold  for 2 seconds.

**5 Advance Display Functions****Filters Clean Reminder (Metal):**

After every 30 hours of use, the display will start flashing an  reminding you to clean the metal filters from residue and possible clogs.


*The standard Metal Filters fitted are required to be cleaned frequently and as recommended in order to maintain blower efficiency. If improperly maintained, residue from cooking will sift through filters and cause damage to hood blowers and other sensitive components; and possibly clog duct work and creates fire hazard.*

**Filters Change Reminder (Carbon, if fitted):**




When your hood is installed as a 'Purifying' (Ductless Recirculating) unit, it is fitted with a set of Carbon Filters to purify exhaust and fumes from cooking, and re-circulates the air within the home. These Carbon Filters are required to be replaced after every 120 hours of use. The **Filter Change Reminder** function in the microprocessor needs to be switched on. The microprocessor in the controls when set, will elapsed and count usage time and indicate when carbon filter replacement is needed every 120 hrs.

## CONTROLS: FILTER CHANGE INDICATOR (Carbon Filters)

### Filter Change Reminder (Carbon, if fitted):

When your hood is installed as a 'Purifying' (Ductless Recirculating) unit, it is fitted with a set of Carbon Filters to purify exhaust and fumes from cooking, and re-circulates the air within the home. These Carbon Filters are required to be replaced after every 120 hours of use. The **Filter Change Reminder** function in the microprocessor needs to be switched on. The microprocessor in the controls when set, will elapse and count usage time and indicate by a flashing  when carbon filter replacement is needed every 120 hrs.

### Setting the Filter Change Reminder:

When Off, hold  for approx. 5 seconds. The display will change from  (exhaust mode) to , (purifying mode/ carbon filters used) this indicates that the elapse timer function is switched on and Carbon Filters are used.

#### Set Mode


hold 5 secs.



display from <--> to <C>



### Filter Replace Indicator:




When the display  starts flashing, the Carbon Filters requires replacement after 120 hours of use.

#### Change Filters

display <C> flashes



### Re-setting Function:

Once filters are replaced, with hood off, press and hold , the display will appear; hold for approximately 5 seconds until  on display disappears . The Filter Change Reminder is now re-set and a new 120 hours elapse cycle is initiated.

#### To Reset

hold 5 secs.




display from <C> to < >




## CONTROLS: FILTER CLEAN INDICATOR (Metal Filters)

### Filter Clean Reminder (Standard Metal Filters fitted)

Whether your hood is installed as an Exhaust or Purifying unit, a set of metal filters are fitted by the factory. These Metal Filters are intended to filter out residue from cooking. It need not be replaced on a regular basis but are required to be kept clean. The **Filter Clean Reminder** function in the microprocessor will automatically indicate by a flashing  when the metal filters are needed to be cleaned after every 30 hrs. of use. Filters can be cleaned by hand or in a dishwasher with non-abrasive soap. Heavily soiled filters should also be soaked in grease cutting detergent such as '409' or its equivalent, prior to cleaning.

### Filter Clean Reminder:




When  flashes on display, the metal filters installed are required to be cleaned. This will occur after every 30 hours of use.

#### Clean Filters

display <A> flashes



### Re-setting Function:

Reset the Filter Clean Reminder timer when filters are cleaned and re-installed. Press and hold  for approx. 5 seconds, the display will appear; hold for approximately 5 seconds until  on display disappears . The Filter Clean Reminder function is now re-set and a new 30 hours elapse cycle is initiated.

#### To Reset

hold 5 secs.



display from <A> to < >



CLEANING

Surface Maintenance:

Clean periodically with hot soapy water and clean cotton cloth. Do not use corrosive or abrasive detergent (e.g. comet powder scrub, EZ-Off oven cleaner), or steel wool/ scoring pads which will scratch and damage surface.

For heavier soil use liquid degreaser such as 'Formula 409' or 'Fantastic' brand cleaner.

After cleaning, you may use non abrasive stainless steel polish/ cleaners such as 3M or ZEP, to polish and buff out the stainless luster and grain. Always scrub lightly, with clean cotton cloth, and with the grain.

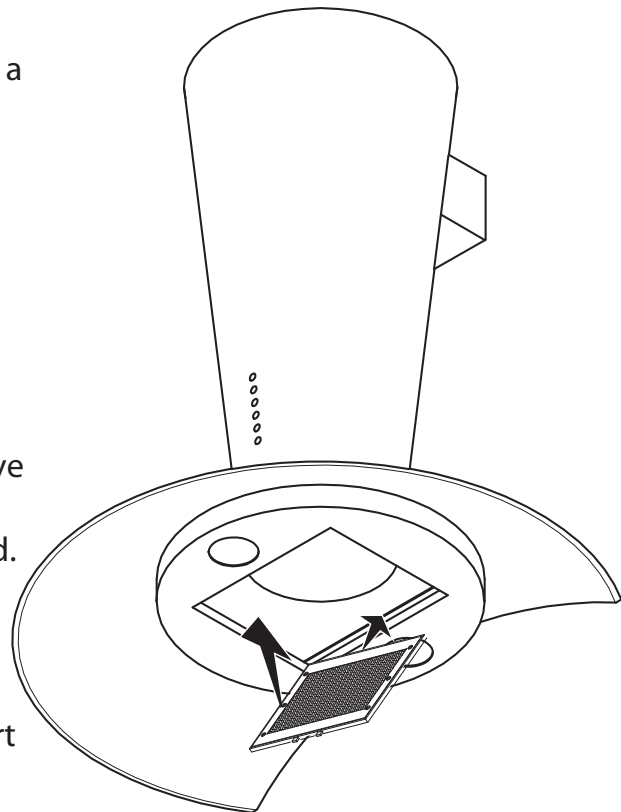
Metal Filters

The Metal Filters fitted by the factory are intended to filter out residue and grease from cooking. It need not be replaced on a regular basis but are required to be kept clean.

Filters should be cleaned after every 30 hours of use. Use the Filter Clean Reminder function on the controls to determine when filters require cleaning (ref. page 8).

Remove and clean by hand or in dishwasher. Spray 'Formula 409' or equivalent degreasing detergent and leave to soak if heavily soiled.

Dry filters and re-install before using hood.



Replacing Metal Filters

Should filters wear out due to age and prolonged use, replace with following part number:

Hood Model:	Part No.	Filters in pkg.
ZTO-M79S	ZOF-M052	1

Also replace damaged filter that has punctured or broken mesh, bent or broken frame.

## LIGHTS

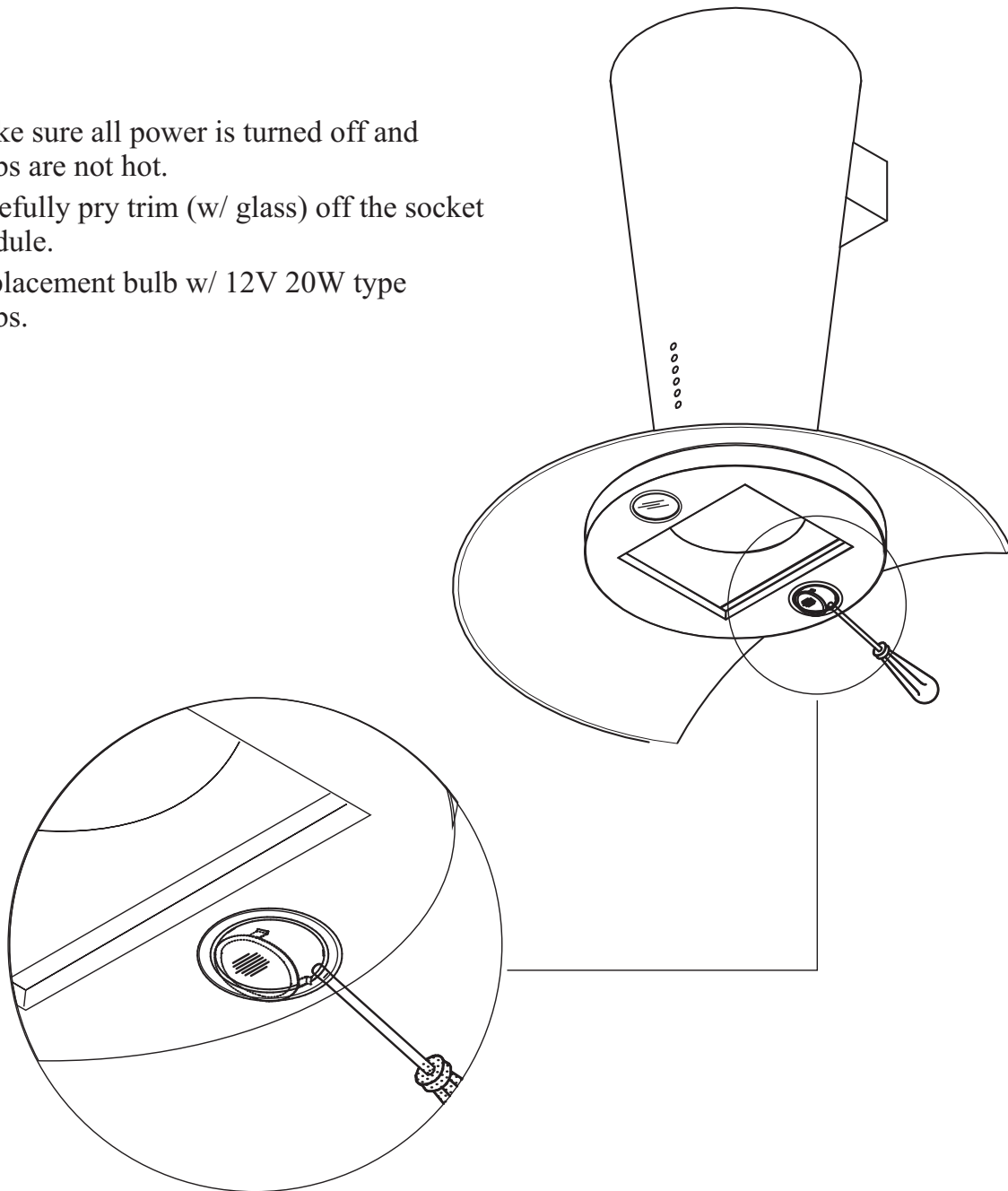
## Replacing Light Bulbs

**CAUTION: Light bulb becomes extremely hot when turned on. DO NOT touch bulb until switched off and cooled. Touching hot bulbs could cause serious burns.**

Make sure all power is turned off and bulbs are not hot.

Carefully pry trim (w/ glass) off the socket module.

Replacement bulb w/ 12V 20W type bulbs.



# ZEPHYR

## Limited Warranty

**STAPLE YOUR RECEIPT HERE**  
**Proof of the original purchase**  
**date is needed to obtain**  
**service under warranty**

**TO OBTAIN SERVICE UNDER WARRANTY OR FOR ANY SERVICE RELATED QUESTIONS, please call:**  
**1-888-880-8368**

Zephyr Corporation (referred to herein as “we” or “us”) warrants to the original consumer purchaser (referred to herein as “you” or “your”) of Zephyr products (the “Products”) that such Products will be free from defects in materials or workmanship as follows:

**Two Year Limited Warranty for Parts:** For two years from the date of your original purchase of the Products, we will provide, free of charge, Products or parts to replace those that failed due to manufacturing defects. We may choose, in our sole discretion, to repair or replace parts before we elect to replace the Products.

**One Year Limited Warranty for Labor:** For one year from the date of your original purchase of the Products, we will provide, free of charge, the labor cost associated with repairing the Products or parts to replace those that failed due to manufacturing defects. After the first year from the date of your original purchase, you are responsible for all labor costs associated with this warranty.

**Warranty Exclusions:** This warranty covers only repair or replacement, at our option, of defective Products or parts and does not cover any other costs related to the Products including but not limited to: (a) normal maintenance and service required for the Products and consumable parts such as light bulbs, metal and carbon filters and fuses; (b) any Products or parts which have been subject to freight damage, misuse, negligence, accident, faulty installation or installation contrary to recommended installation instructions, improper maintenance or repair (other than by us); (c) commercial use of the Products or use otherwise inconsistent with its intended purpose; (d) natural wear of the finish of the Products or wear caused by improper maintenance, use of corrosive and abrasive cleaning products, pads, and oven cleaner products; (e) chips, dents or cracks caused by abuse or misuse of the Products; (f) service trips to your home to teach you how to use the Products; or (g) damage to the Products caused by accident, fire, floods or act of God. If you are outside our service area, additional charges may apply for shipping costs for warranty repair at our designated service locations and for the travel cost to have a service technician come to your home to repair, remove or reinstall the Products. After the first year from the date of your original purchase, you are also responsible for all labor costs associated with this warranty.

**Limitations of Warranty. OUR OBLIGATION TO REPAIR OR REPLACE, AT OUR OPTION, SHALL BE YOUR SOLE AND EXCLUSIVE REMEDY UNDER THIS WARRANTY. WE SHALL NOT BE LIABLE FOR INCIDENTAL, CONSEQUENTIAL OR SPECIAL DAMAGES ARISING OUT OF OR IN CONNECTION WITH THE USE OR PERFORMANCE OF THE PRODUCTS. THE EXPRESS WARRANTIES IN THE PRECEDING SECTION ARE EXCLUSIVE AND IN LIEU OF ALL OTHER EXPRESS WARRANTIES. WE HEREBY DISCLAIM AND EXCLUDE ALL OTHER EXPRESS WARRANTIES FOR THE PRODUCTS, AND DISCLAIM AND EXCLUDE ALL WARRANTIES IMPLIED BY LAW, INCLUDING THOSE OF MERCHANTABILITY AND FITNESS FOR A PARTICULAR PURPOSE.** Some states or provinces do not allow limitations on the duration of an implied warranty or the exclusion or limitation of incidental or consequential damages, so the above limitations or exclusions may not apply to you. To the extent that applicable law prohibits the exclusion of implied warranties, the duration of any applicable implied warranty is limited to the same two-year period described above. Any oral or written description of the Products is for the sole purpose of identifying the Products and shall not be construed as an express warranty. Prior to using, implementing or permitting use of the Products, you shall determine the suitability of the Products for the intended use, and you shall assume all risk and liability whatsoever in connection with such determination. We reserve the right to use functionally equivalent refurbished or reconditioned parts or Products as warranty replacements or as part of warranty service. This warranty is not transferable from the original purchaser and applies in the United States and Canada.

**To Obtain Service Under Limited Warranty:** To qualify for warranty service, you must: (a) notify us at the address or telephone number stated below within 60 days of the discovery of the defect; (b) give the model number and part identification number and serial number; and (c) describe the nature of any defect in the Product or part. At the time of the request for warranty service, you must present evidence of your proof of purchase and proof of the original purchase date. If we determine that the warranty exclusions listed above apply or if you fail to provide the necessary documentation to obtain service, you will be responsible for all shipping, travel, labor and other costs related to the services.

**Zephyr Corporation, Service Department, 395 Mendell Street, San Francisco, CA 94124 1-888-880-8368**



**TO OBTAIN SERVICE UNDER WARRANTY  
or any Service Related Questions, please call:**

**1-888-880-8368**

Have your product proof of purchase with date ready for warranty issues.

Or write to:

Zephyr Corporation  
Service and Warranty department  
395 Mendell St  
San Francisco, CA 94124

## Free Manuals Download Website

<http://myh66.com>

<http://usermanuals.us>

<http://www.somanuals.com>

<http://www.4manuals.cc>

<http://www.manual-lib.com>

<http://www.404manual.com>

<http://www.luxmanual.com>

<http://aubethermostatmanual.com>

Golf course search by state

<http://golfingnear.com>

Email search by domain

<http://emailbydomain.com>

Auto manuals search

<http://auto.somanuals.com>

TV manuals search

<http://tv.somanuals.com>