



Eyebolt Applications

For Installation of Control 29AV

When suspending JBL Control 29AV loudspeakers, you MUST utilize **Load-Rated Steel Forged Shoulder Eyebolts**. The load rating must be stamped on the side of the eyebolt and there must be a shoulder, as shown in Fig 1. The correct threading for the Control 29AV is M6. This means that the threaded shaft has a diameter of 6mm. The threaded shaft length will vary according to which insert point is being utilized.

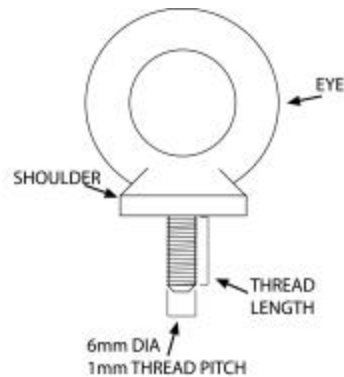


Figure 1: Forged Shoulder Eyebolt (M6)

Top & Bottom Inserts -- When using the installation points at the top and bottom of the cabinet, where the flat surfaces are, the eyebolt threads directly into the insert. Be sure to tighten the bolt all the way down so that the shoulder is snug against the surface of the cabinet. To do this, you must ensure the correct length of bolt so that the threads do not “bottom out” (stop turning) before the shoulder reaches the cabinet surface. For the top or bottom inserts, the shaft should be 12mm (1/2 inch). See Figure 2:

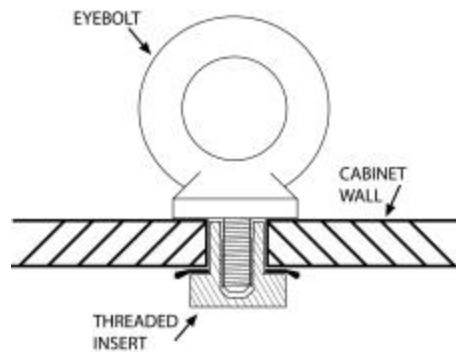
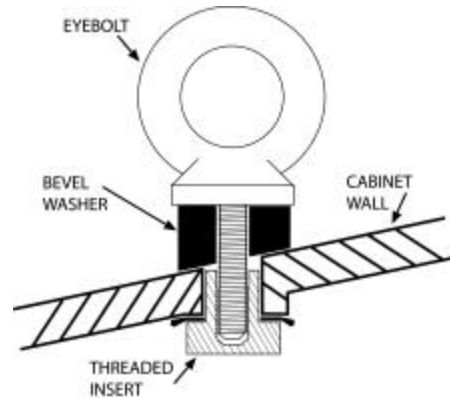


Figure 2: Cross Section of Top or Bottom of Cabinet

For top or bottom inserts, use 6 mm x 1mm pitch x 12 mm thread length steel forged shoulder eyebolts

Side Inserts -- When using the installation points on the sides of the cabinet, you must use the included bevel washers. These washers provide a uniform flat surface for the shoulder of the bolt and also compensate for the draft (angle) of the sidewalls of the cabinet. In this application, the thread length must be longer to reach through the washer, while not "bottoming out". The shaft should be 25.4 mm (1 inch). See Figure 3:



For side inserts, use 6 mm x 1mm pitch x 25.4 mm thread length steel forged shoulder eyebolt.

Figure 3: Cross Section of Side of Cabinet

CAUTION

Installation must only be done by qualified persons using safe rigging practices. Load eyebolts in accordance with the eyebolt manufacturer's loading guidelines.

For additional information, refer to JBL Professional's Tech Note Vol 1 #14, "Basic Principles for Suspending Loudspeakers"

Eyebolt Sources -- These sizes of forged shoulder steel eyebolts are available from a wide variety of industrial hardware suppliers, or directly from JBL Professional:

EB-6X12 = 6 mm x 1mm pitch x 12 mm thread length, forged shoulder steel eyebolt, load rated.

EB-6X25 = 6 mm x 1 mm pitch x 25.4 mm thread length, forged shoulder steel eyebolt, load rated.

Free Manuals Download Website

<http://myh66.com>

<http://usermanuals.us>

<http://www.somanuals.com>

<http://www.4manuals.cc>

<http://www.manual-lib.com>

<http://www.404manual.com>

<http://www.luxmanual.com>

<http://aubethermostatmanual.com>

Golf course search by state

<http://golfingnear.com>

Email search by domain

<http://emailbydomain.com>

Auto manuals search

<http://auto.somanuals.com>

TV manuals search

<http://tv.somanuals.com>