



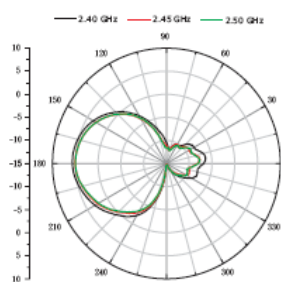
APM CO., LTD

APG-I250608B

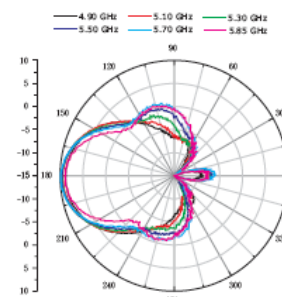
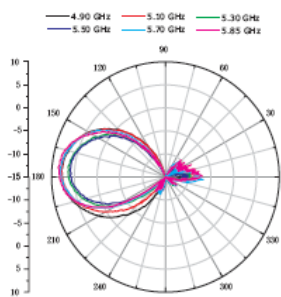
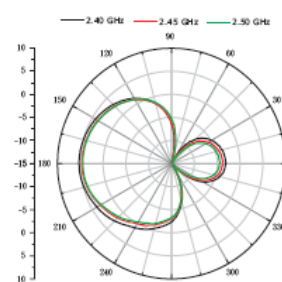
High Gain Directional Panel Antenna for 2.4GHz & 5GHz



H-Plane Co-Polarization Patterns



V-Plane Co-Polarization Patterns



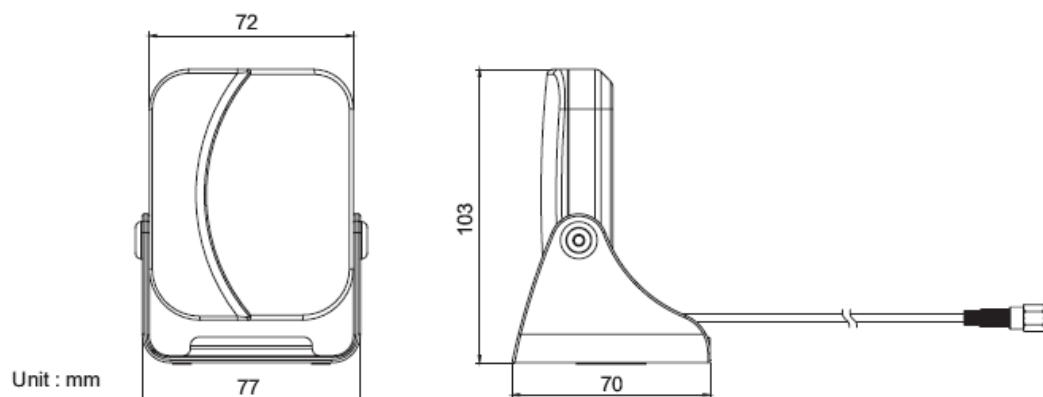
Electrical Specification

Frequency Range :	2.4~2.5 ; 4.9~5.85 (GHz)
Peak Gain * :	6 ; 8 (dBi)
VSRW :	1.92 : 1 max
HPBW / H :	100° ; 55°
HPBW / V :	67° ; 40°
Impedance :	50 Ω
Polarization :	Linear ; Vertical
Power Handling :	1W
Connector :	RP SMA Plug
Cable :	GDC-101 (Gray) ; L :1m

Mechanical Specification

Operating Temperature :	-10°C~60°C
Storage Temperature :	-10°C~70°C
Humidity :	95% RH
Radome Material :	ABS + PC
Color :	Silver ; Black
Dimensions :	70L x 77W x 103H
Weight :	200 gfw
Mounting Function :	Weight Stand. Wall Mount. Magnet Mount.

* Excluding cable loss



Unit : mm

Free Manuals Download Website

<http://myh66.com>

<http://usermanuals.us>

<http://www.somanuals.com>

<http://www.4manuals.cc>

<http://www.manual-lib.com>

<http://www.404manual.com>

<http://www.luxmanual.com>

<http://aubethermostatmanual.com>

Golf course search by state

<http://golfingnear.com>

Email search by domain

<http://emailbydomain.com>

Auto manuals search

<http://auto.somanuals.com>

TV manuals search

<http://tv.somanuals.com>