

aiwa

STEREO RECEIVER
RECEPTOR ESTEREO
AMPLI-TUNER STEREO

AV-D77

OPERATING INSTRUCTIONS
MANUAL DE INSTRUCCIONES
MODE D'EMPLOI

En (English)

E (Español)

F (Français)

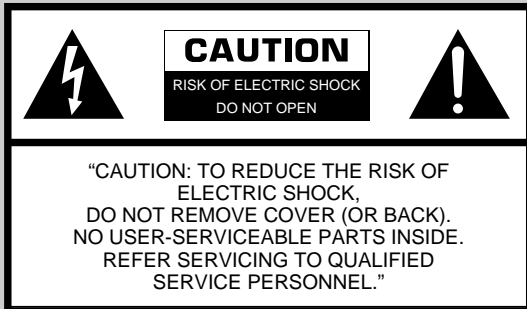
For assistance and information

call toll free 1-800-BUY-AIWA

(United States and Puerto Rico)

WARNING

TO REDUCE THE RISK OF FIRE OR ELECTRIC SHOCK, DO NOT EXPOSE THIS APPLIANCE TO RAIN OR MOISTURE.



Explanation of Graphical Symbols:



The lightning flash with arrowhead symbol, within an equilateral triangle, is intended to alert the user to the presence of uninsulated "dangerous voltage" within the product's enclosure that may be of sufficient magnitude to constitute a risk of electric shock to persons.



The exclamation point within an equilateral triangle is intended to alert the user to the presence of important operating and maintenance (servicing) instructions in the literature accompanying the appliance.

Owner's record


For your convenience, record the model number and serial number (you will find them on the rear of your unit) in the space provided below. Please refer to them when you contact your Aiwa dealer in case of difficulty.

Model No.	Serial No. (Lot No.)
AV-D77	

PRECAUTIONS

Read the Operating Instructions carefully and completely before operating the unit. Be sure to keep the Operating Instructions for future reference. All warnings and cautions in the Operating Instructions and on the unit should be strictly followed, as well as the safety suggestions below.

Installation

- 1 Water and moisture** — Do not use this unit near water, such as near a bathtub, washbowl, swimming pool, or the like.
- 2 Heat** — Do not use this unit near heat sources, including heating vents, stoves, or other appliances that generate heat. It also should not be placed in temperatures less than 5°C (41°F) or higher than 35°C (95°F).
- 3 Mounting surface** — Place the unit on a flat, even surface.
- 4 Ventilation** — The unit should be situated with adequate space around it so that proper heat ventilation is assured. Allow 10 cm (4 in.) clearance from the rear and the top of the unit, and 5 cm (2 in.) from each side.
 - Do not place the unit on a bed, rug, or similar surface that may block the ventilation openings.
 - Do not install the unit in a bookcase, cabinet, or airtight rack where ventilation may be impeded.
- 5 Objects and liquid entry** — Take care that objects or liquids do not get inside the unit through the ventilation openings.
- 6 Carts and stands** — When placed or mounted on a stand or cart, the unit should be moved with care. Quick stops, excessive force, and uneven surfaces may cause the unit or cart to overturn or fall. 
- 7 Wall or ceiling mounting** — The unit should not be mounted on a wall or ceiling, unless specified in the Operating Instructions.

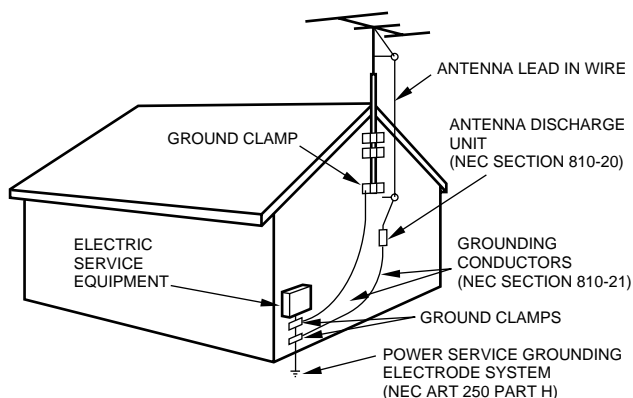
Electric Power

- 1 Power sources** — Connect this unit only to power sources specified in the Operating Instructions, and as marked on the unit.
- 2 Polarization** — As a safety feature, some units are equipped with polarized AC power plugs which can only be inserted one way into a power outlet. If it is difficult or impossible to insert the AC power plug into an outlet, turn the plug over and try again. If it is not still inserted easily into the outlet, please call a qualified service technician to service or replace the outlet. To avoid defeating the safety feature of the polarized plug, do not force it into a power outlet.
- 3 AC power cord**
 - When disconnecting the AC power cord, pull it out by the AC power plug. Do not pull the cord itself.
 - Never handle the AC power plug with wet hands, as this could result in fire or shock.
 - Power cords should be firmly secured to avoid being severely bent, pinched, or walked upon. Pay particular attention to the cord from the unit to the power socket.
 - Avoid overloading AC outlets and extension cords beyond their capacity, as this could result in fire or shock.
- 4 Extension cord** — To help prevent electric shock, do not use a polarized AC power plug with an extension cord, receptacle, or other outlet unless the polarized plug can be completely inserted to prevent exposure of the blades of the plug.
- 5 When not in use** — Unplug the AC power cord from the AC power outlet if the unit will not be used for several months or more. When the cord is plugged in, a small amount of current continues to flow to the unit, even when the power is turned off.

Outdoor Antenna

- Power lines** — When connecting an outdoor antenna, make sure it is located away from power lines.
- Outdoor antenna grounding** — Be sure the antenna system is properly grounded to provide protection against unexpected voltage surges or static electricity build-up. Article 810 of the National Electrical Code, ANSI/NFPA70, provides information on proper grounding of the mast, supporting structure, and the lead-in wire to the antenna discharge unit, as well as the size of the grounding unit, connection to grounding terminals, and requirements for grounding terminals themselves.

Antenna Grounding According to the National Electrical Code



NEC-NATIONAL ELECTRICAL CODE

Maintenance

Clean the unit only as recommended in the Operating Instructions.

Damage Requiring Service

Have the unit serviced by a qualified service technician if:

- The AC power cord or plug has been damaged
- Foreign objects or liquid have gotten inside the unit
- The unit has been exposed to rain or water
- The unit does not seem to operate normally
- The unit exhibits a marked change in performance
- The unit has been dropped, or the cabinet has been damaged

DO NOT ATTEMPT TO SERVICE THE UNIT YOURSELF.

TABLE OF CONTENTS

PRECAUTIONS	1
PREPARATIONS	
CONNECTIONS	3
BEFORE OPERATION	7
SOUND	
CUSTOM AUDIO ADJUSTMENT	8
ELECTRONIC GRAPHIC EQUALIZER	9
DSP SURROUND	10
BASIC OPERATIONS	
SELECTION OF AUDIO/VIDEO SOURCE	11
RECORDING AN AUDIO SOURCE	12
RADIO RECEPTION	
MANUAL TUNING	13
PRESETTING STATIONS	14
DOLBY SURROUND AND DTS SURROUND	
SELECTING DOLBY SURROUND	15
ADJUSTING DOLBY DIGITAL SURROUND SOUND	18
SELECTING DTS SURROUND	19
REMOTE CONTROL	
OPERATING TV, CABLE TV, VCR AND CD PLAYER	20
TIMER	
SETTING THE CLOCK	21
SETTING THE SLEEP TIMER	21
GENERAL	
SPECIFICATIONS	22
CARE AND MAINTENANCE	23
TROUBLESHOOTING GUIDE	23
PARTS INDEX	23
APPENDIX	
ID CODES FOR TV	A-1
ID CODES FOR CABLE TV	A-3
ID CODES FOR VCR	A-4
ID CODES FOR CD PLAYER	A-5
ID CODES FOR DSS SATELLITE	A-6

En

Check your accessories

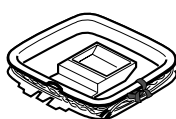
Remote control



FM antenna



AM antenna



Operating Instructions, etc.

CONNECTIONS

Before connecting the AC cord

The rated voltage of your unit shown on the rear panel is 120 V AC. Check that the rated voltage matches your local voltage.

IMPORTANT

Connect the speakers, antennas, and all other external equipment first. Then connect the AC cord at the end.

CONNECTING EQUIPMENT

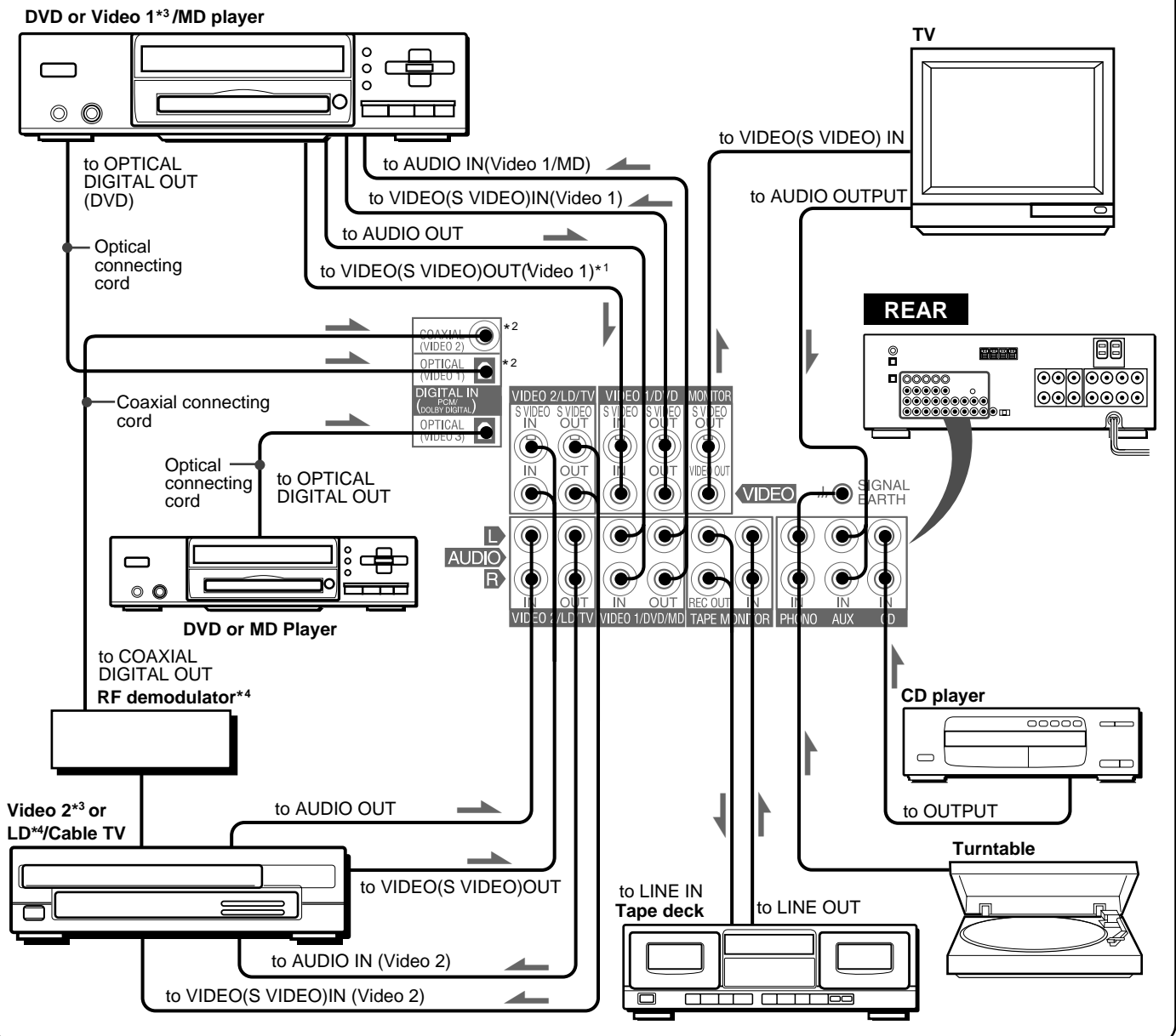
Jacks and plugs of the connecting cord are color-coded as follows:

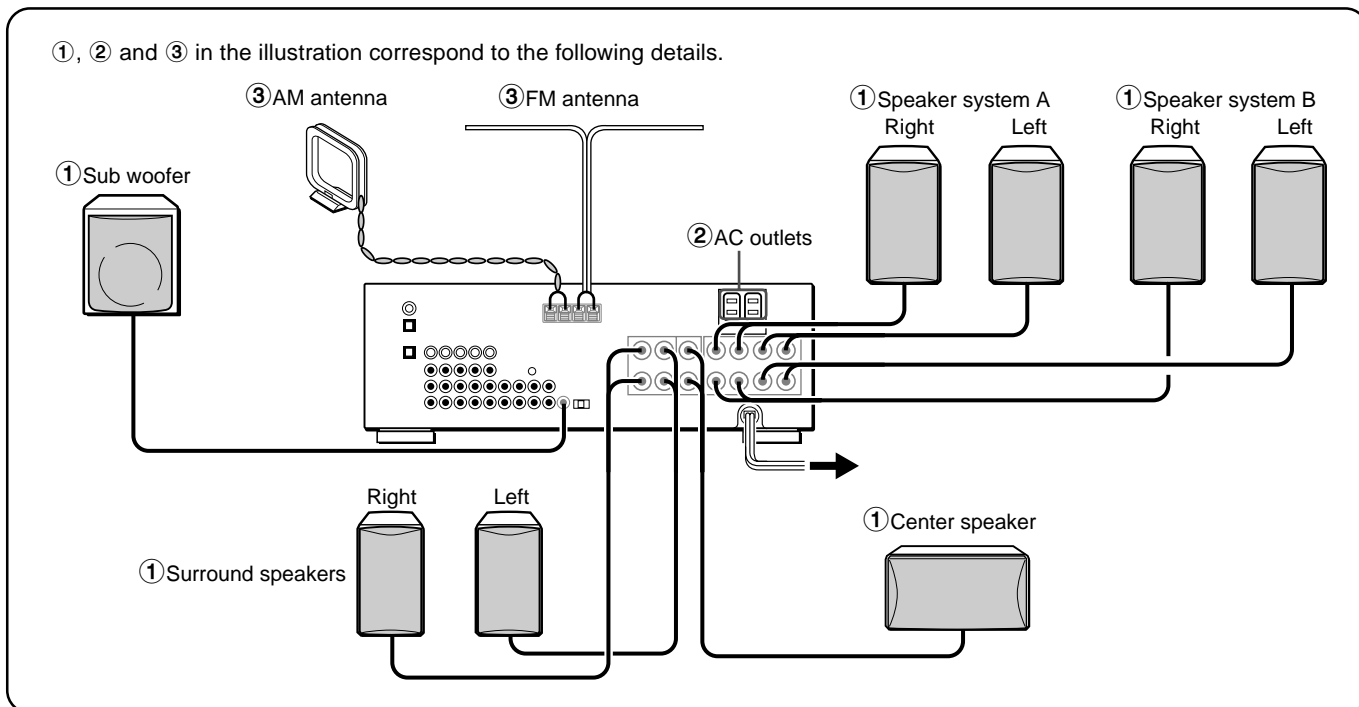
- Red jacks and plugs : For the right channel of audio signals
- White jacks and plugs: For the left channel of audio signals
- Yellow or black jacks and plugs: For video or S-video signals

NOTE

Insert the plugs fully into the jacks. Loose connections may produce a humming sound or other noise interference.

- *1 Be sure to connect the VIDEO (S VIDEO) OUT terminal of a DVD player directly to a TV set, not through this unit. Otherwise, the picture noise may appear when playing copy protected DVDs.
- *2 Input sound through the DIGITAL IN terminals cannot be recorded. When recording the sound from the DVD, CD, MD or LD player, connect the analog AUDIO OUT terminals of the player to the corresponding AUDIO IN terminals of the receiver.
- *3 When connecting a monaural video, use a stereo-mono connecting cord (not supplied).
- *4 When connecting an LD player equipped with the AC-3 RF OUT terminal, use an RF demodulator unit. Also connect the analog AUDIO OUT terminals of the LD player to the receiver to play all the sources. For further information, refer to the instructions of the LD player.





CONNECTING SPEAKERS ①

Speaker terminals

Connect front speakers (system A and/or B), a center speaker, surround speakers and sub woofer to the corresponding speaker terminals on the unit:

- the front speaker cords to the FRONT SPEAKERS terminals
- the center speaker cord to the CENTER SPEAKER terminals
- the surround speaker cords to the SURROUND SPEAKERS terminals.
- for more powerful bass, the sub woofer (with a built-in amplifier) cord to the SUB WOOFER jack

When connecting the sub woofer, be sure to select the "SUBW ON" (sub woofer on) mode (see page 5).

Speaker impedance

• Front and center speakers

Use the same impedance for both the front and center speakers. The SPEAKER IMPEDANCE SELECTOR on the rear should be set to the position that matches the impedance value of the front and center speakers.

When using 4 ohm speakers, set the selector to IMP:4Ω. When using 8 ohm speakers, set the selector to IMP:8Ω. Please unplug the AC cord before setting the selector.

• Surround speakers and sub woofer

The SPEAKER IMPEDANCE SELECTOR has no effect on the SURROUND SPEAKERS terminals and the SUB WOOFER jack. For the surround speakers and sub woofer, use speakers of 8 ohms or more.

Connecting + to +, - to - terminals

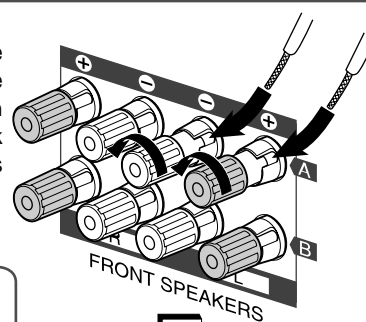
To get the proper sound effect, the speaker terminals on the unit and the speaker should be connected with proper polarity; the + terminal on the unit should be connected to the + terminal on the speaker (and - to -).

NOTE

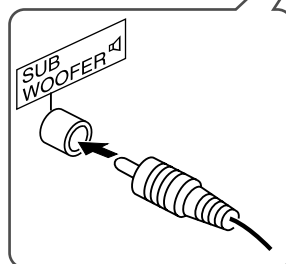
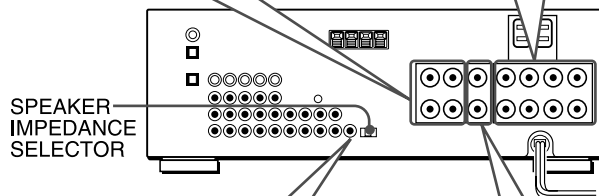
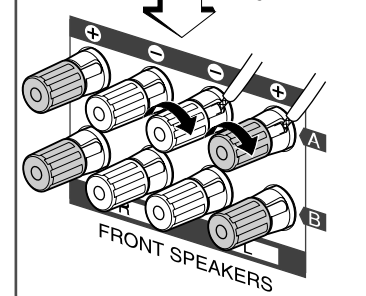
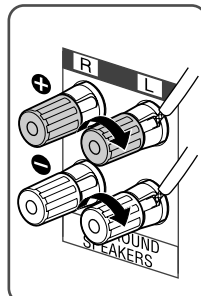
- Be sure to connect the speaker cords correctly as shown in the illustration on the right column. Improper connections can cause short circuits in the SPEAKER(S) terminals.
- Do not leave objects generating magnetism near the speakers.

Front speakers

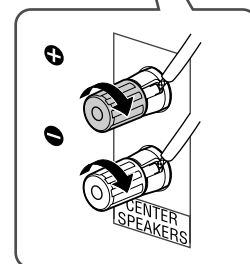
Wind the tip of the cord around the terminal. Then tighten the terminal. Check that the cord is connected securely.



Surround speakers



Sub woofer



Center speaker

POSITIONING THE SPEAKERS

Position the speakers to make the most of DOLBY SURROUND, DTS SURROUND or DSP surround effect.

Front speakers (L/R)

Center speaker (C)

Position in the center of the two front speakers. In addition, position on or below the TV set, if connecting a TV set to the unit.

Surround speakers (SL/SR)

Place the surround speakers directly to the side of or slightly behind the listening area. Align them horizontally, about 1 meter (3.2 feet) above ear height.

Sub woofer (SW)

Place the sub woofer in any place between the two front speakers.

When connecting a sub woofer

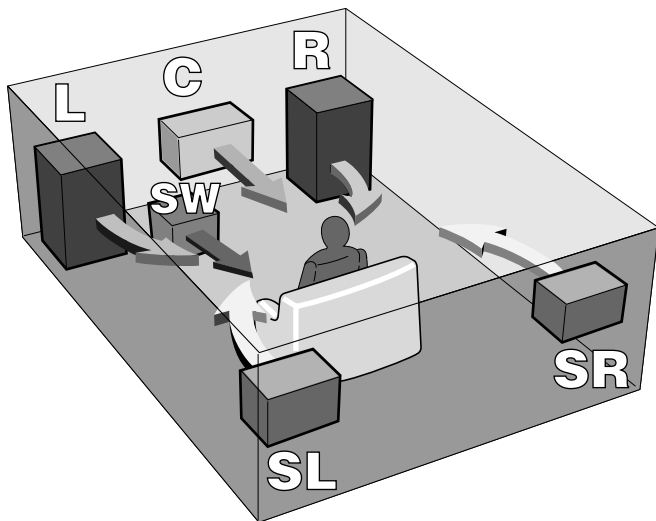
Select "SUBW ON" mode.

1. Press the MANUAL SELECT button on the remote control once so that "SUBW OFF" appears on the display.
 2. Within 4 seconds, press the TUNING ∇ (DOWN) button or turn the MULTI JOG to the left to display "SUBW ON."
- If a sub woofer is not connected, be sure to select "SUBW OFF."

Display "SUBW ON" in step 1 and press the TUNING \blacktriangle (UP) button or turn the MULTI JOG to the right in step 2.

NOTE

Sound from the surround speakers or center speaker depends on the setting of DOLBY SURROUND, DTS SURROUND or DSP surround.



USING AC OUTLETS ON THE UNIT ②

The unit is equipped with AC outlets. You can use them once the unit is connected to an AC outlet on a wall.

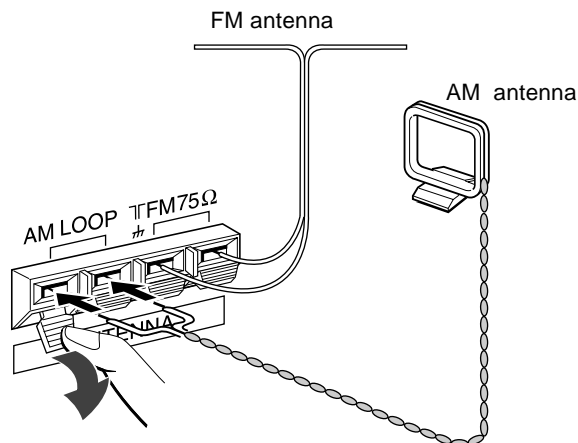
SWITCHED: Electric current flows through it when the unit is turned on.

UNSWITCHED: Electric current always flows through it.

Do not connect equipment beyond their capacity (120 W, 1 A MAX. and TOTAL)

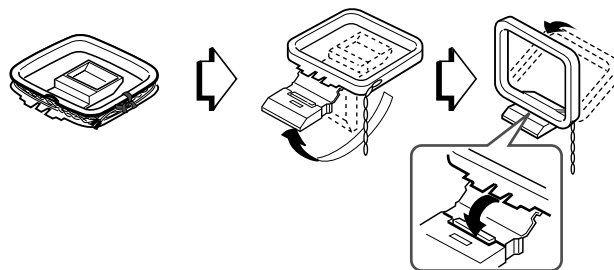
CONNECTING THE SUPPLIED ANTENNAS ③

Connect the FM antenna to the FM 75 Ω terminals and the AM antenna to the AM LOOP terminals.



To stand the AM loop antenna on a surface

Fix the claw to the slot as shown in the illustration.



To position the antennas

FM feeder antenna:

Extend this antenna horizontally in a T shape and fix its ends to the wall.

AM loop antenna:

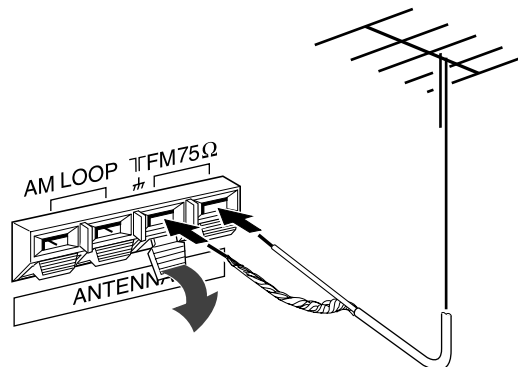
Position for the best reception.

NOTE

- Do not bring the FM antenna near metal objects or curtain rails.
- Do not bring the AM antenna near other external equipment, the unit itself, the AC power cord or speaker cords, as noise will be picked up.
- Do not unwind the AM loop antenna wire.

CONNECTING AN OUTDOOR ANTENNA

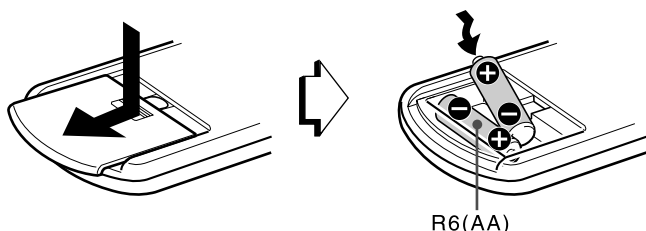
For better FM reception, use of an outdoor antenna is recommended. Connect the outdoor antenna to the FM 75 Ω terminals.



ABOUT THE REMOTE CONTROL

Inserting batteries

Detach the battery cover on the rear of the remote control and insert two R6 (size AA) batteries.



When to replace the batteries

The maximum operational distance between the remote control and the sensor on the unit should be approximately 5 meters (16 feet). When this distance decreases, replace the batteries with new ones.

Important

- The **ENTER** buttons on the remote control do not substitute for the **ENTER** button on the main unit. They are for operating AIWA DVD players or other audio/video equipment.
- In principal, the **UP** and **DOWN** buttons on the remote control substitute for the **^** and **v** buttons on the main unit **except when selecting the TUNER function.**

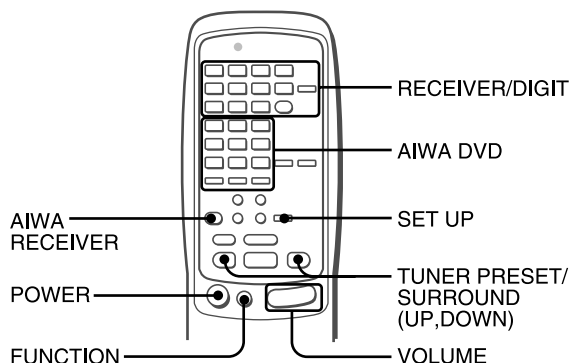
NOTE

- If the unit is not going to be used for an extended period of time, remove the batteries to prevent possible electrolyte leakage.
- The remote control may not operate correctly when:
 - The line of sight between the remote control and the remote sensor in the display window is exposed to intense light, such as direct sunlight.
 - Other remote controls are used nearby (those of a television, etc.)

Remote control operation

This remote control system allows you to operate other external equipment besides the AIWA receiver. For details of the remote control operation for other external equipment, see "REMOTE CONTROL" on page 20.

The following is an explanation on how to operate the AIWA receiver and the AIWA DVD players.



1 Press the AIWA RECEIVER button to set the remote control to the AIWA receiver mode.

2 Press one of the buttons indicated above.

FUNCTION button

Each time this button is pressed, the sound source changes cyclically.

TUNER PRESET/SURROUND buttons

Tune in the station which has been preset on the receiver. To go to a higher preset number, press the UP button. To go to a lower preset number, press the DOWN button. This button is also used when adjusting the speaker level balance of DOLBY SURROUND, DTS SURROUND or DSP surround etc.

NOTE

It is not necessary to press the AIWA RECEIVER button each time you operate the AIWA receiver unless another mode has already been set. (See "REMOTE CONTROL" on page 20.)

Operating AIWA DVD players

You can control basic functions of AIWA DVD players with the remote control. In principle, the AIWA DVD buttons have the same function as those on the DVD players. For more details, refer to the operating instructions of the player.

If the receiver cannot be operated with the remote control

Follow the steps below using the remote control.

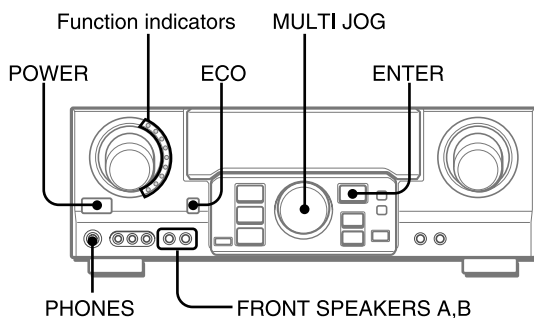
1 Press the AIWA RECEIVER button.

2 Press and hold the SET UP button for about 3 seconds.

The indicator on the top of the remote control blinks twice while pressing the button.

3 Press the DIGIT buttons in the order of "0," "4," "0" and "6."

BEFORE OPERATION



To turn the unit on

Press the POWER button.

Operation is possible after four seconds. The VOL (volume) level or function name is displayed one after the other for the first four seconds.

The selected function indicator lights up in red.

To change the brightness level of the display

- 1 Press the ECO button repeatedly until "DIM MODE" is displayed.
- 2 Within 4 seconds, press the ENTER button.
- 3 Within 4 seconds, turn the MULTI JOG to select the dimmer mode as below.

The mode will be automatically set after 4 seconds. It will also be set if the ENTER button is pressed within 4 seconds after step 3.



DIM-OFF: The normal display.

DIMMER 1: The illumination of the display is dimmer than usual.

DIMMER 2: The illumination of the display is dimmer than DIMMER 1. The function indicator turns off.

Using the headphones

Connect headphones to the PHONES jack with a standard stereo plug (ø6.3 mm, 1/4 inch). Be sure to set the FRONT SPEAKERS A and B buttons to OFF. Otherwise sound is output from the speakers.

NOTE

When the headphones are plugged in:

- The Dolby Pro Logic or DSP system is automatically canceled
- The Dolby Digital surround mode or the DTS surround mode is changed to the "2chSTEREO (2CH DOWNMIX)" mode

To select the front speaker system

To use speaker system A: Set the FRONT SPEAKERS A button to ON.

To use speaker system B: Set the FRONT SPEAKERS B button to ON.

To use both speaker systems: Set both the buttons to ON. Set the button(s) to OFF to turn off the speaker system(s).

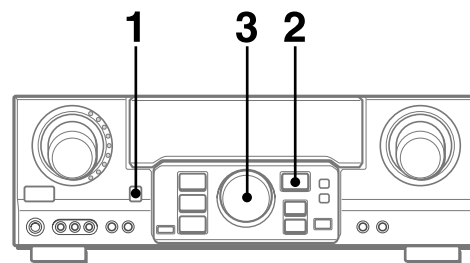
NOTE

As the front speaker systems A and B are connected in series:

- The sound will decrease slightly when using both speaker systems
- No sound can be heard if the FRONT SPEAKERS A and B buttons are set to ON when only one speaker system is connected

To turn the unit off, press the POWER button.

POWER ECONOMIZING (ECO) MODE



Setting this unit to the ECO mode reduces power consumption as below.

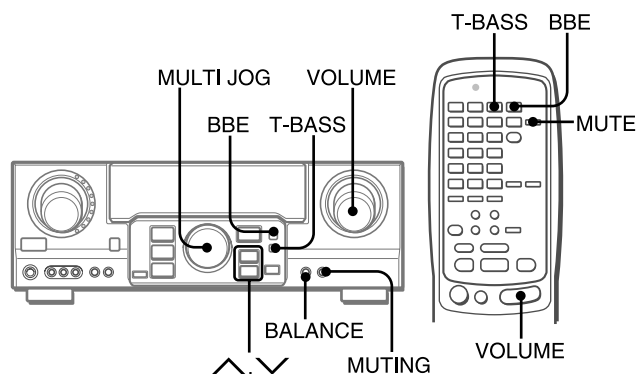
Initial setting of the ECO mode is ON.

- When the current time is set, the clock display disappears immediately.
- While the power is off, all the display lights turn off, and only the indicator on the left side of the display window lights in red.

To cancel the ECO mode

- 1 Press the ECO button to display ECO MODE while the unit is turned on.
- 2 Within 4 seconds, press the ENTER button.
- 3 Within 4 seconds, turn the MULTI JOG to select ECO OFF. The mode will be automatically set after 4 seconds. It will also be set if the ENTER button is pressed within 4 seconds after step 3.

CUSTOM AUDIO ADJUSTMENT



VOLUME CONTROL

Turn the VOLUME control on the unit, or press the VOLUME buttons on the remote control.

The volume level is shown on the display for four seconds. It can be adjusted between 0 and MAX (31). It flashes when set over the level of 27.

The volume level remains memorized even after the power is turned off. However, if the power is turned off when the volume is set to 17 or more, it is automatically set to 16 the next time the power is turned on.

To adjust the left/right balance of the front speakers

Press the BALANCE button to display "L/R 0dB". Then press the \wedge or \vee button repeatedly or turn the MULTI JOG within four seconds.

Note that the front speaker balance for DOLBY SURROUND and DTS SURROUND is also changed.

To mute the sound temporarily

Press the MUTING (MUTE) button (-20 dB).

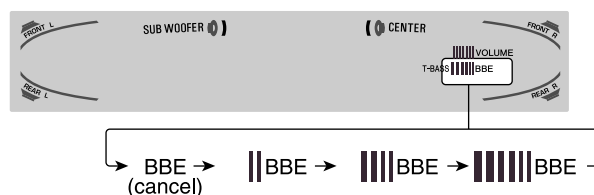
"MUTE ON" appears on the display for four seconds. While muting the sound, the selected function indicator flashes. Press the MUTING button again to restore the sound.

BBE SYSTEM

The BBE system enhances the clarity of high-frequency sound.

Press the BBE button.

Each time it is pressed, the level changes. Select one of the three levels, or the off position to suit your preference.



NOTE

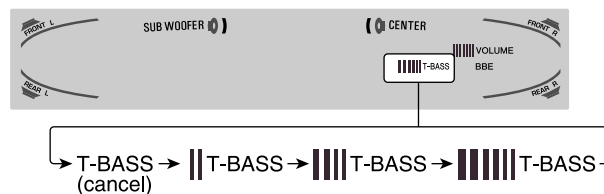
- The BBE system is automatically canceled and cannot be turned on:
 - When the DIGITAL mode is selected
 - When the Dolby Pro Logic is turned on

SUPER T-BASS SYSTEM

The T-BASS system enhances the realism of low-frequency sound.

Press the T-BASS button.

Each time it is pressed, the level changes. Select one of the three levels, or the off position to suit your preference.



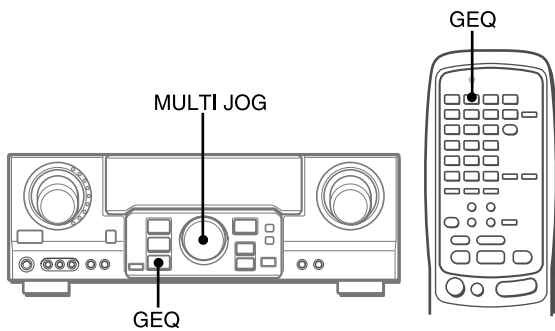
NOTE

Low-frequency sound may be distorted when the T-BASS system is used for a disc or tape in which low-frequency sound is originally emphasized. In this case, cancel the T-BASS system.

SOUND ADJUSTMENT DURING RECORDING

The output volume and tone of the speakers or headphones may be freely varied without affecting the level of the recording.

ELECTRONIC GRAPHIC EQUALIZER



This unit provides the following five different equalization modes.

ROCK: Powerful sound emphasizing treble and bass

POP: More presence in the vocals and midrange

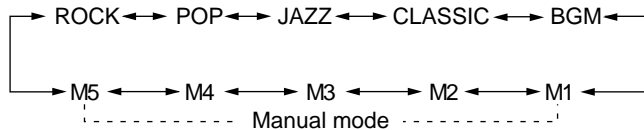
JAZZ: Accented lower frequencies for jazz-type music

CLASSIC: Enriched sound with heavy bass and fine treble

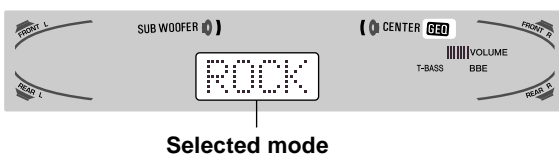
BGM: Calm tone with suppressed bass and treble

Press the **GEQ (Graphic Equalizer)** button, and turn the **MULTI JOG** until the desired equalization mode is displayed.

The GEQ modes are displayed cyclically as follows.



The selected mode name is displayed for four seconds, and the GEQ indicator lights up.



To cancel the selected mode

Press the GEQ button to display the GEQ mode name, and press the button again within 4 seconds. "GEQ OFF" appears on the display.

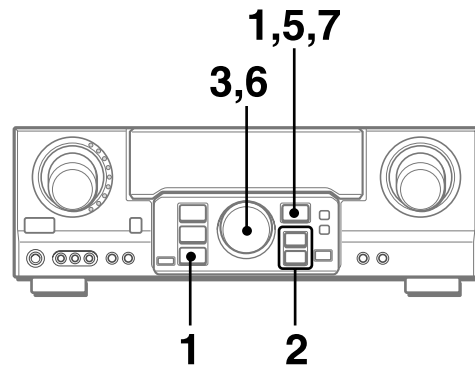
To select with the remote control

Press the GEQ button repeatedly until the desired equalization mode is displayed.

Five preset modes, the manual modes GEQ M1 to GEQ M5 and "GEQ OFF" can be selected.

SETTING NEW EQUALIZATION CURVES

Up to 5 equalization curves can be stored as the manual modes M1 to M5.



1 Press the GEQ button and press the ENTER button within 4 seconds.



2 Press the ^ or v button to select a frequency.
The level indicator of the selected frequency flashes.

3 Turn the MULTI JOG to adjust the level of the selected frequency.

4 Repeat steps 2 and 3 to make the desired equalization curve.

In steps 2 and 3, the unit returns to normal mode when no operation is made for about 8 seconds.

5 Within 8 seconds, press the ENTER button.
"GEQ M1" appears on the display.

6 Turn the MULTI JOG to select a preset number from M1 to M5.

7 Within 4 seconds, press the ENTER button.
The equalization curve is stored.

The selected preset number and the equalization curve are displayed for a few seconds each.

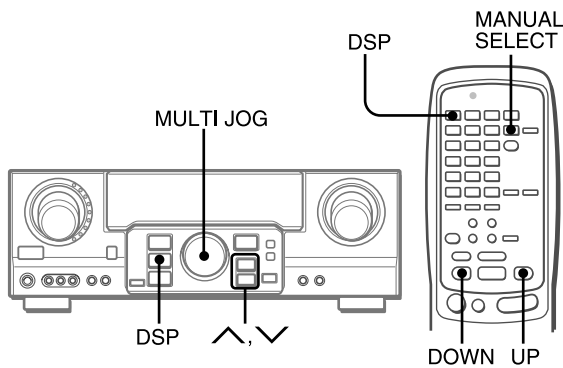
To adjust the GEQ curve temporarily

Follow the steps from 1 to 4 above. The adjusted GEQ curve still remains before changing or canceling the GEQ mode.

To select the manual preset curve

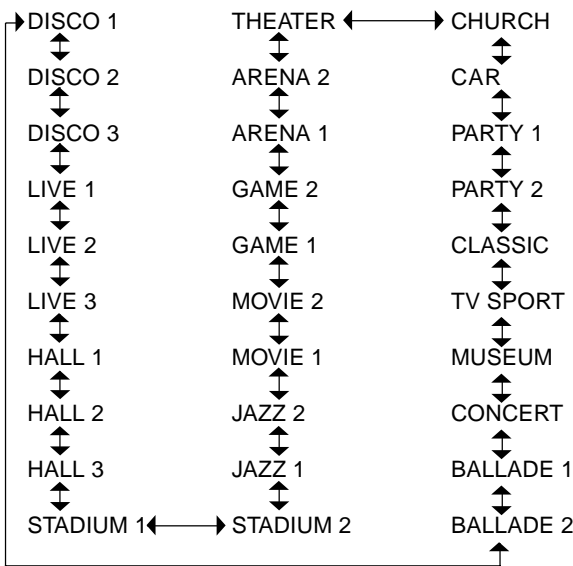
Press the GEQ button, and turn the MULTI JOG until the desired manual preset number is displayed.

DSP SURROUND

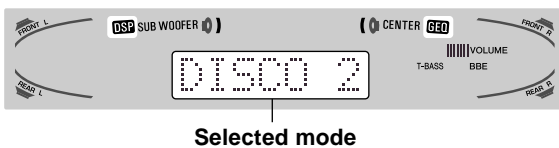


The DSP (Digital Signal Processor) surround circuits can recreate the effect of sounds reflected from walls or ceilings, to obtain the sound presence of real environments. The unit provides 30 DSP preset modes. Some of them are accompanied with the matching GEQ preset mode, and you can also select or turn off the GEQ to suit your preference.

Press the DSP button, and turn the MULTI JOG or press the ^ or v button repeatedly until the desired DSP mode is displayed.



The selected mode name is displayed for four seconds, and the DSP indicator lights up. When the selected DSP mode is accompanied with the matching GEQ mode, the GEQ indicator lights up as well.



When the music source is monaural

The DSP system may not work effectively.

To cancel the selected mode

Press the DSP button to display the DSP mode name, and press the button again within 4 seconds. "DSP OFF" appears on the display. Even if canceling the selected DSP mode, the matching or selected GEQ mode still remains.

To select with the remote control

- 1 Press the DSP button.
- 2 Within 4 seconds, press the UP or DOWN button repeatedly until the desired DSP mode is displayed. 30 preset modes can be selected. To change the mode rapidly, hold down the UP or DOWN button.

To adjust the volume and balance of the surround speakers

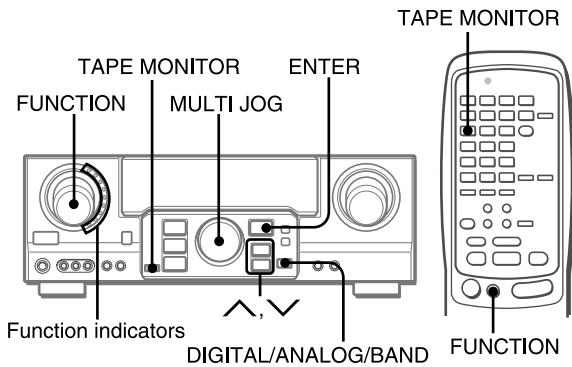
Press the MANUAL SELECT button on the remote control three times to display "SUR 0dB" while the DSP system is turned on. Then press the ^ (UP) or v (DOWN) button repeatedly or turn the MULTI JOG within four seconds.

NOTE

The DSP surround system is automatically canceled and cannot be turned on:

- When the headphones are plugged in
- When the input signal is 96 kHz

SELECTION OF AUDIO/VIDEO SOURCE



1 Select the program source.

Turn the FUNCTION selector or press the TAPE MONITOR button. The selected function indicator lights in red.

To listen to or watch	The indicator in red
Tape	TAPE MONITOR
Radio	TUNER
Record	PHONO
Compact disc	CD
Television, etc.	AUX
Video	VIDEO 1/DVD/MD, VIDEO 2/LD/TV, VIDEO 3
LD or Cable TV	VIDEO 2/LD/TV
MD or DVD	VIDEO 1/DVD/MD

The function to be selected (except PHONO) depends on the equipment connected to the input terminals on the rear panel of the unit.

To select with the remote control

Press the TAPE MONITOR button or the FUNCTION button repeatedly.

NOTE

When using a turntable with a built-in equalizer amplifier, set the switch of the equalizer amplifier to off. See the instructions of the turntable for further information.

2 Start the selected program source.

3 Adjust the sound.

About the video source to the monitor or TV



V1: VIDEO 1, V2: VIDEO 2, V3: VIDEO 3

The selected video source is indicated on the display and the video signal through the MONITOR VIDEO (S VIDEO) OUT jack is output on the TV.

To select the video source

- 1 Turn the FUNCTION to select PHONO, CD or AUX.
- 2 Press the ENTER button to display VIDEO 1.
- 3 Turn the MULTI JOG to select VIDEO 2 or VIDEO 3.

To change a displayed name for the VIDEO 1 and VIDEO 2

When the VIDEO 1 function is selected, VIDEO 1 is displayed initially. It can be changed to DVD or MD.

Press the DIGITAL/ANALOG/BAND button while pressing the ENTER button, then release the ENTER button first.

The displayed name for the VIDEO 2 function can be changed to VIDEO 2, LD or TV; while the VIDEO 2 function is selected, press the DIGITAL/ANALOG/BAND button while pressing the ENTER button, then release the ENTER button first.

To select the "ANALOG" or "DIGITAL" (Dolby Digital or DTS surround) mode of the VIDEO 1, VIDEO 2 or VIDEO 3 function

Press the DIGITAL/ANALOG/BAND button when the VIDEO 1, VIDEO 2 or VIDEO 3 is selected. The selected mode "ANALOG" or "DIGITAL" appears on the display.

In the DIGITAL mode: Equipment connected to the OPTICAL DIGITAL IN terminal is selected as a source for the VIDEO 1 or VIDEO 3 function, and equipment connected to the COAXIAL DIGITAL IN terminal for the VIDEO 2 function. The DIGITAL indicator lights in red.

In the ANALOG mode: Equipment connected to the VIDEO 1/ DVD/MD IN or VIDEO 3 terminals is selected as a source for the VIDEO 1 or VIDEO 3 function, and equipment connected to the VIDEO 2/LD/TV terminals for the VIDEO 2 function.

NOTE

The "DIGITAL" mode changes to the "ANALOG," when pressing the TAPE MONITOR button.

When the "OVER LEVEL" indicator lights up

The unit is equipped with the OVER LEVEL indicator. When input analog signals from the connected equipment are too high to accept, the indicator lights on the right side of the display. In this case, adjust the input level as mentioned below so that the indicator disappears.

To adjust the sound level of the connected source

The input sensitivity level of each function can be adjusted (except the TUNER, VIDEO 1 (DIGITAL), VIDEO 2 (DIGITAL) and VIDEO 3 (DIGITAL) functions).

When the sound level of the connected source is higher or lower than that of the TUNER, adjust it as follows.

1 Select the function to be adjusted.

Turn the FUNCTION or press the TAPE MONITOR button and play the source.

2 Press the ^ (UP) or v (DOWN) button repeatedly.



Adjust the level so that the "OVER LEVEL" indicator does not light on the display.

- The level can be adjusted between -6dB (MIN) and +8dB (MAX) in 2dB steps. Adjust the level so that the sound is output at the same level as the TUNER.
- The input sensitivity level of the TAPE MONITOR can be adjusted to 0dB or -6dB.

TO PLAY A DVD OR LD RECORDED IN DOLBY DIGITAL OR DTS SURROUND

This receiver is equipped with the Dolby Digital decoder and DTS decoder, and has the DIGITAL IN (both OPTICAL and COAXIAL) terminals. When a DVD or LD player is connected to the DIGITAL IN terminal of the receiver, you can enjoy theater-quality audio right in your home when playing discs recorded in Dolby Digital surround or DTS surround.

Before operation

- Check that the TAPE MONITOR is not selected. If the TAPE MONITOR is selected, press the TAPE MONITOR button so that "TAPE OFF" appears on the display.
- When connecting an LD player equipped with the AC-3 RF OUT terminal, use an RF demodulator unit. Also connect the analog AUDIO OUT terminals of the LD player to the receiver to play all the sources. For further information, refer to the instructions of the LD player.

- 1 Turn the **FUNCTION** to select the **VIDEO 1 (VIDEO 2 or VIDEO 3)** and press the **DIGITAL/ANALOG/BAND** button repeatedly until "**DIGITAL**" is displayed.



The DVD (LD) player connected to the OPTICAL (COAXIAL) DIGITAL IN terminal is selected as a source.

- 2 Start playing the DVD (LD) recorded in Dolby Digital surround or DTS surround.

- The "DOLBY DIGITAL" indicator will light on the display when the bit stream of the Dolby Digital surround comes in the unit.



To select the Dolby Digital surround mode according to your speakers, see "SELECTING DOLBY SURROUND" on page 15.

- The "dts" indicator will light on the display when the bit stream of the DTS surround comes in the unit.

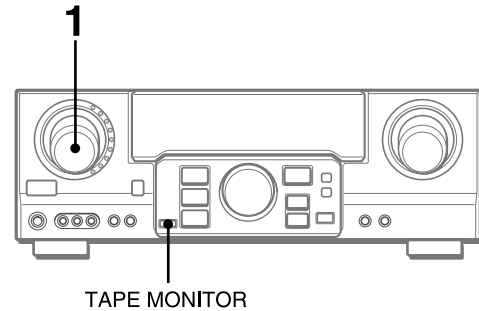


To select the DTS surround mode according to your speakers, see "SELECTING DTS SURROUND" on page 19.

NOTE

- While the TAPE MONITOR is selected and the TAPE MONITOR indicator turns red, "DIGITAL" cannot be selected.
- When headphones are plugged in, the Dolby Digital surround mode or DTS surround mode is automatically changed to "2chSTEREO" and the "2CH DOWNMIX" indicator lights on the display. Even if the SURROUND button is pressed while the headphones are plugged in, the mode cannot be changed.
- This unit supports input signals of the Dolby Digital surround bit stream, DTS surround bit stream and linear PCM whose sampling frequency is 32 kHz, 44.1 kHz, 48 kHz and 96 kHz.
- When connecting some DVD players to the receiver through the DIGITAL IN terminals, noise may be heard in the DVD operation: e.g. searching a disc, skipping a chapter.

RECORDING AN AUDIO SOURCE



- 1 Select the program source to be recorded.
Turn the **FUNCTION**.
- 2 Set the tape deck or MD recorder to the recording mode.
- 3 Start the selected program source.

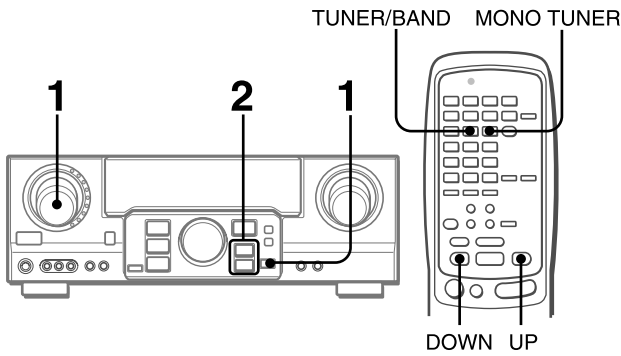
To monitor recorded sound during recording (when the connected tape deck is a three-head system)

Press the TAPE MONITOR button. "TAPE ON" appears on the display for four seconds, and then the source name selected in step 1 comes back on. To cancel the tape monitor, press it again so that "TAPE OFF" appears.

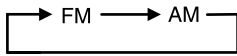
NOTE

- Any sound control system has no effect on recording (see page 8).
- Input sound through the DIGITAL IN terminals cannot be recorded. When recording the sound from the DVD, CD, MD or LD player, connect the analog AUDIO OUT terminals of the player to the corresponding AUDIO IN terminals of the receiver. The sound will be recorded in 2 ch stereo.
- When recording audio sources by the MD recorder connected to the VIDEO 1/DVD/MD AUDIO OUT terminals, the selected video source (see page 11) should be V2 or V3. Recording cannot be done while the V1 (VIDEO 1) is selected and displayed on the window.
- Input sound from the tape deck connected to the TAPE MONITOR IN terminals cannot be recorded.

MANUAL TUNING



1 Turn the FUNCTION to select the TUNER function, and press the DIGITAL/ANALOG/BAND button repeatedly to select the desired band.



The display changes to frequency indications after indicating band and video source (V1, V2 or V3) for two seconds.

2 Press the ^ or v button to select a station.
 Each time the button is pressed, the frequency changes.
 When a station is received, "TUNE" is displayed for two seconds. During FM stereo reception, ((Ⓜ)) is displayed.



NOTE

To tune in to a station with the remote control, preset the stations first (see the next page). You can select the desired band with the TUNER/BAND button and tune in to the preset stations by pressing the UP or DOWN button.

To search for a station quickly (Auto Search)
 Keep the ^ or v button pressed until the tuner starts searching for a station. After tuning in to a station, the search stops.

To stop the Auto Search manually, press the ^ or v button.
 • The Auto Search may not stop at stations with very weak signals.

When an FM stereo broadcast contains noise
 Press the MONO TUNER button on the remote control so that "MONO" appears on the display.
 Noise is reduced, although reception is monaural.

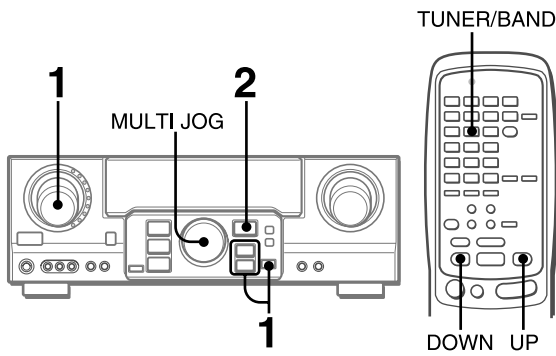


To restore stereo reception, press the button so that "STEREO" appears.

When the reception contains noise interference
 Move the unit away from other electrical appliances, especially digital audio devices, or turn off the appliances that generate noise signals.

To change the AM tuning interval
 The default setting of the AM tuning interval is 10 kHz/step. If you use this unit in an area where the frequency allocation system is 9 kHz/step, change the tuning interval. Hold down the DIGITAL/ANALOG/BAND button and press the POWER button.
 To reset the interval, repeat this procedure.

PRESETTING STATIONS



The unit can store a total of 32 preset stations. When a station is stored, a preset number is assigned to the station. Use the preset number to tune in to a preset station directly.

- 1 Turn the **FUNCTION** to select the **TUNER** function, and press the **DIGITAL/ANALOG/BAND** button repeatedly to select the desired band. Then press the **^** or **v** button to select a station.
- 2 Press the **ENTER** button to store the station.

A preset number assigned to the station, beginning from 1 in consecutive order for each band, appears in the display for two seconds.



- 3 Repeat steps 1 and 2.
No more stations will be stored and "FULL" appears if a total of 32 stations have already been stored for all the bands.

NOTE

When the AM tuning interval is changed, all preset stations are cleared. The preset stations have to be set again.

PRESET NUMBER TUNING

- 1 Turn the **FUNCTION** to select the **TUNER** function, and press the **DIGITAL/ANALOG/BAND** button repeatedly to select a band.
- 2 Turn the **MULTI JOG** to select a preset number.

To clear a preset station

Select the preset number of the station to be cleared. Then, press the **ENTER** button and press it again within four seconds. The preset numbers of all other stations in the band with higher numbers are decreased by one.

When using the remote control

- 1 Press the **TUNER/BAND** button to select the desired band.
- 2 Press the **UP** or **DOWN** button to select a preset number.

This unit is equipped with the Dolby Pro Logic decoder, Dolby Digital decoder and DTS decoder.

The unit and the center and surround speakers (standard) assure full-scale home theater sound. When playing back discs or video software that have been recorded in Dolby Pro Logic, Dolby Digital surround or DTS surround, astonishingly realistic sound surrounds the listener to create a new level of audio/visual entertainment.

Independent control of the five channels allows the listener to enjoy the same type of sound reproduction experienced in movie theaters. Voices are reproduced in the front and center sound field, while ambient sounds like cars and crowds are reproduced on all sides of the listener for an incredibly lifelike audio/video experience. Please read the following carefully to “tune” the system’s output to match the characteristics of your listening space.

Check the following:

- Before enjoying the DOLBY surround sound or DTS surround sound, adjust the speaker sound levels to the proper balance (see page 16).
- Make sure the speakers are properly connected and positioned (see pages 4 and 5).
- Make sure the TV set and video unit are properly connected (see page 3).
- Make sure the disc and video tape, etc., support Dolby Pro Logic, Dolby Digital surround or DTS surround.

SELECTING DOLBY SURROUND

The optimal Dolby Digital surround and Dolby Pro Logic modes and settings depend on the type and placement of the speakers. It is recommended that the optional AIWA speakers should be used for all channels, for example, the SX-AVR2900 speaker system.

Check the current type and placement of your speakers and select the recommended mode accordingly.

The recommended mode

[Dolby Digital surround]

	Center speaker		
	Larger-size	Smaller-size	No speaker
Surround speaker (Rear speaker)	DOLBY D-WIDE	DOLBY D-NORMAL	PHANTOM
No surround speaker	3 STEREO-WIDE	3 STEREO-NORMAL	2chSTEREO

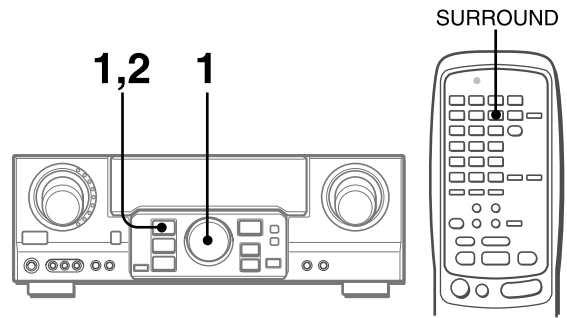
[Dolby Pro Logic]

	Center speaker		
	Larger-size	Smaller-size	No speaker
Surround speaker (Rear speaker)	PRO LOGIC-WIDE	PRO LOGIC-NORMAL	PHANTOM
No surround speaker	3 STEREO-WIDE	3 STEREO-NORMAL	—

PHANTOM mode: Select this mode when the center speaker is not connected. All center channel signals are redistributed to the left and right channel speakers.

3 STEREO mode: Select this mode when the surround speakers are not connected.

TO SELECT A DOLBY SURROUND MODE



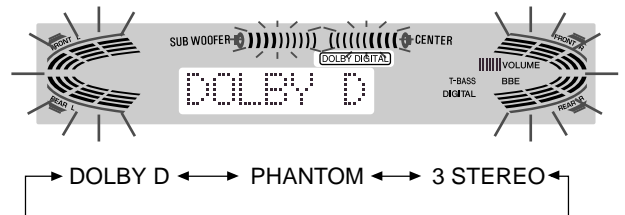
Preparations

- When selecting a Dolby Digital Surround mode, select the VIDEO 1 (DIGITAL), VIDEO 2 (DIGITAL) or VIDEO 3 (DIGITAL) function (see page 12) and play a disc recorded in Dolby Digital Surround before selecting the mode.
- When selecting a Dolby Pro Logic mode, select the function except VIDEO 1 (DIGITAL), VIDEO 2 (DIGITAL) and VIDEO 3 (DIGITAL).

1 Press the SURROUND button and turn the MULTI JOG to select the appropriate mode.

The selected mode name appears on the display.

[Dolby Digital surround]

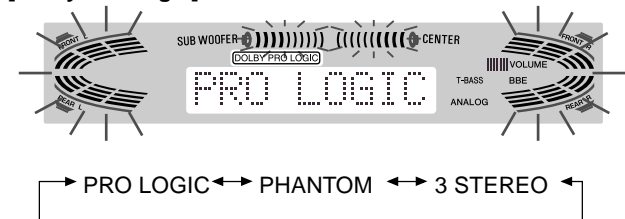


To select the 2chSTEREO mode, press the SURROUND button repeatedly until “2chSTEREO” appears.

NOTE

Select the Dolby Digital Surround mode while playing a source recorded in Dolby Digital Surround.

[Dolby Pro Logic]



2 Press the SURROUND button again and hold it down until the center speaker mode to be selected appears. (Except the 2chSTEREO and PHANTOM modes.)

“NORMAL” and “WIDE” appear one after the other.

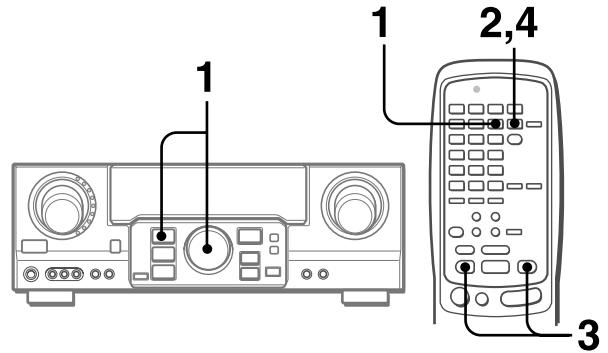
When operating with the remote control

Press the SURROUND button repeatedly to select the mode, and hold it down to select the center speaker mode.

NOTE

- Depending on the sound source or listening condition, surround effect may not be obtained even when the Dolby Digital surround or Dolby Pro Logic is selected.
- The full Dolby Digital surround or Dolby Pro Logic effect cannot be obtained when using software not recorded in the Dolby Digital surround or Dolby Pro Logic system. In this case, use the DSP surround system instead (see page 10).
- When headphones are plugged in:
 - The Dolby Pro Logic system is automatically canceled.
 - The Dolby Digital surround mode is automatically changed to "2chSTEREO."
- While headphones are plugged in:
 - The Dolby Pro Logic cannot be turned on.
 - The Dolby Digital surround mode cannot be changed.
- The Dolby Pro Logic system is automatically canceled and cannot be turned on when the input signal is 96 kHz.

ADJUSTING SPEAKER LEVEL BALANCE

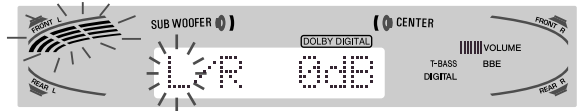


DOLBY SURROUND AND DTS SURROUND

The unit is equipped with a built-in test signal generator called a noise sequencer for easy balance adjustment of all five channels. The sequencer outputs a noise signal that "travels" from channel to channel, enabling the simple adjustment of sound level to achieve the same apparent loudness, at your listening position, from each channel.

- 1 Select the Dolby Digital surround (except "2chSTEREO") or Dolby Pro Logic mode according to the current type and placement of your speakers.**
(See page 15.)

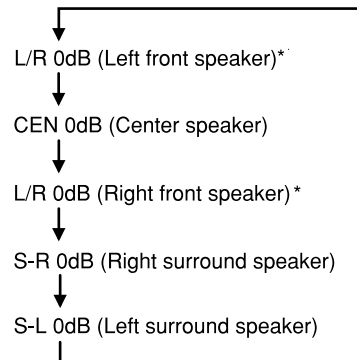
- 2 Press the MANUAL SELECT button on the remote control and hold it down for about two seconds until "L" or "L/R 0dB" starts to flash.**



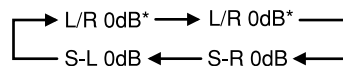
En

A noise signal is sent to each channel in turn as follows:

DOLBY D (PRO LOGIC) NORMAL or WIDE mode



PHANTOM mode



3 STEREO NORMAL or WIDE mode

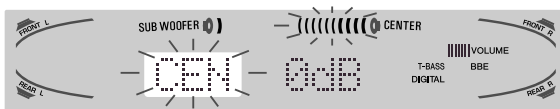


* "L" or "R" flashes to indicate one of the front speakers from which the noise signal is output.

To be continued

3 Adjust the sound level of the center and surround speakers.

While "CEN," "S-L" or "S-R" flashes in the display, press the UP or DOWN button on the remote control so that the sound level of the center or surround speakers matches that of the front speakers.



The balance of the front speakers can be adjusted as well while "L/R" is displayed.

NOTE

The \wedge or \vee button on the main unit cannot be used.

4 Press the MANUAL SELECT button again to stop the noise signal.

NOTE

When adjusting the speaker level balance of the Dolby Digital surround, that of the Dolby Pro Logic is also changed and vice versa.

About the channels

The left and right speakers create the stereo effect.

The center speaker helps precise sound positioning over a broad sound field.

The rear-mounted surround speakers enhance the "depth" of the sound field.

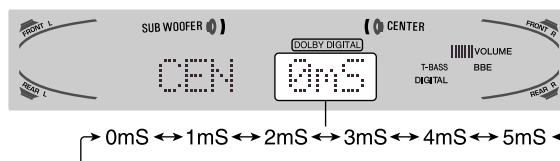
To change the delay time of the surround speakers or center speaker when using the Dolby Digital surround or Dolby Pro Logic mode

While the Dolby Digital surround (except "2chSTEREO") or Dolby Pro Logic is activated, press the MANUAL SELECT button on the remote control repeatedly so that "CEN 0mS" or "SUR 5mS" (SUR 20mS) is displayed. Then, within 4 seconds, press the \wedge (UP) or \vee (DOWN) button or turn the MULTI JOG. The delay time changes as shown below.

[Center speaker]

Adjust the delay time so that lines (voice in a movie) are heard clearly and naturally.

The center speaker delay time is initially set to 0 ms (milliseconds). It can be adjusted between 0 and 5 ms in 1 ms step.



[Surround speakers]

Adjust the delay time to suite your preference.

Dolby Digital Surround

The speakers delay time is initially set to 5 ms. It can be adjusted between 0 and 15 ms in 5 ms steps.

Dolby Pro Logic

The speakers delay time is initially set to 20 ms. It can be adjusted between 15 and 30 ms in 5 ms steps.

NOTE

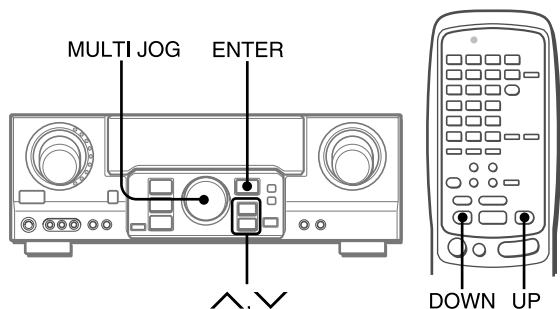
- When adjusting the delay time of the surround speakers or center speaker for the Dolby Digital surround, that of the Dolby Pro Logic is changed and vice versa.
- When the surround speakers delay time of the Dolby Digital surround is set to 0 ms (5 ms, 10 ms, or 15 ms), that of the Dolby Pro Logic is set to 15 ms (20 ms, 25 ms or 30 ms), and vice versa.

To adjust the speaker level balance while listening to the source

The speaker level balance can be changed after adjusting it with the noise sequencer. The balance can be changed whenever the Dolby Digital surround or Dolby Pro Logic system is activated.

- 1 Play a disc or video software recorded in Dolby Pro Logic or Dolby Digital surround.
- 2 Press the MANUAL SELECT button on the remote control repeatedly so that "L/R," "CEN," "S-L" or "S-R" appears on the display.
- 3 Press the \wedge (UP) or \vee (DOWN) button or turn the MULTI JOG while the speaker name to be adjusted is displayed.

ADJUSTING DOLBY DIGITAL SURROUND SOUND



ADJUSTING LOW FREQUENCY SOUND EFFECT(LFE)

The disc recorded in Dolby Digital surround contains special signals called LFE to enhance low frequency sound effect. The LFE signals are recorded in some particular parts on the disc and output from the connected sub-woofer to reproduce astonishingly powerful low sound.

The sound level of the LFE signals can be adjusted according to your speakers connected while the Dolby Digital surround is activated.

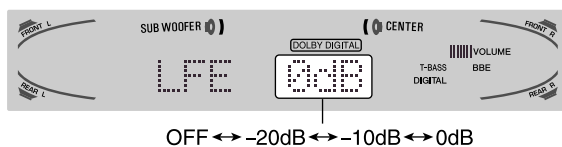
Preparation

- When connecting a sub-woofer, select "SUBW ON" (see page 5).
- Play a disc recorded in Dolby Digital Surround.

1 Press the ^ (UP) or v (DOWN) button and hold it down until "LFE" is displayed.

2 Press the ^ (UP) or v (DOWN) button repeatedly or turn the MULTI JOG to adjust the LFE level.

The unit is initially set to 0 dB (maximum) and can be adjusted as shown below.



When selecting "SUBW OFF", the LFE signals are redistributed to other speakers.

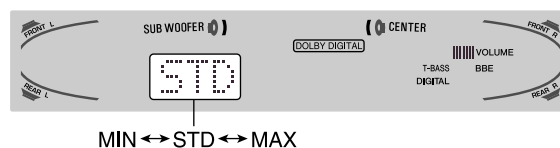
ADJUSTING DYNAMIC RANGE

Dynamic range of the Dolby Digital surround sound can be adjusted. The unit is initially set to the "STD" (standard) mode.

1 While the Dolby Digital surround is activated, press the ENTER button and hold it down until "MID NIGHT THEATER" runs through on the display.



2 Press the ^ (UP) v (DOWN) button or turn the MULTI JOG to select the "MAX," "STD" or "MIN" mode.



[MIN]

You can enjoy the full dynamic range sound like in the movie theater.

[STD]

Original position, when playing back in home, that is recommended by the software producers.

[MAX]

Select this mode when playing back at low volume. This is the mode used with the midnight setting.

SELECTING DTS SURROUND

The optimal DTS surround modes and settings depend on the type and placement of the speakers. It is recommended that the optional Aiwa speakers should be used for all channels, for example, the SX-AVR2900 speaker system.

Check the current type and placement of your speakers and select the recommended mode accordingly.

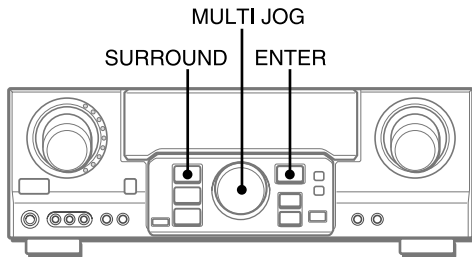
The recommended mode

	Center speaker	No center speaker
Surround speaker (Rear speaker)	5.1ch	4 ch
No surround speaker	3 STEREO	2chSTEREO

4 ch mode: Select this mode when the center speaker is not connected. All center channel signals are redistributed to the left and right channel speakers.

3 STEREO mode: Select this mode when the surround speakers are not connected.

TO SELECT A DTS SURROUND MODE

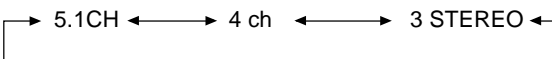


Preparation

When selecting a DTS surround, select the DIGITAL function and play a disc recorded in DTS surround before selecting the mode.

1 Press the SURROUND button and turn the MULTI JOG to select the appropriate mode.

The selected mode name appears on the display.



To select the 2chSTEREO mode, press the SURROUND button repeatedly until "2chSTEREO" appears.

Before playing a disc, adjust the speaker level balance in Dolby Digital or Dolby Pro Logic mode as described in page 16.

To adjust the balance while listening to the source, see the right column in page 17 and follow the steps 2 and 3. The delay time of the center and surround speakers cannot be adjusted in DTS surround mode.

NOTE

- Depending on the sound source or listening condition, surround effect may not be obtained even when the DTS surround is selected.
- The full DTS surround effect cannot be obtained when using software not recorded in the DTS surround system. In this case, use the DSP surround system instead (see page 10).
- When headphones are plugged in, DTS surround mode is automatically changed to "2chSTEREO."
- While headphones are plugged in, DTS surround mode cannot be changed.

TO LISTEN TO THE ORIGINAL DTS SOUND

When the DTS is appears on the display, all the sound settings can be canceled for DTS sound.

1 While the DTS surround is activated, press the ENTER button and hold it down until "BYPASS OFF" runs through on the display.



2 Press the ENTER button again to display "BYPASS ON."



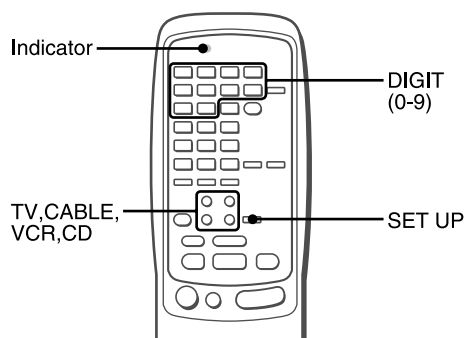
To restore the sound settings

Repeat steps 1 and 2 so that "BYPASS OFF" appears.

OPERATING TV, CABLE TV, VCR AND CD PLAYER

You can control basic functions of a TV, CABLE TV, VCR and CD player with this remote control.

TO ENTER THE ID CODE OF THE EXTERNAL EQUIPMENT



Before attempting to control them, be sure to enter the ID code of the external equipment to the remote control as follows.

1 Confirm the code number of the external equipment.

See the ID code list in the "APPENDIX" at the end of this manual.

2 Press either the TV, CABLE, VCR or CD button in the MODE SELECT area.

NOTE

When entering the ID code of a DSS satellite, press the CABLE button.

3 Press and hold the SET UP button for about 3 seconds.

Confirm that the indicator blinks twice while pressing the SET UP button.

4 Press four DIGIT buttons which correspond to the ID code of the external equipment.

For example, if your CD player is an AIWA unit, the required ID code is 0124 or 0157. In this case, press the DIGIT buttons in the order of "0," "1," "2" and "4" (or "0," "1," "5" and "7").

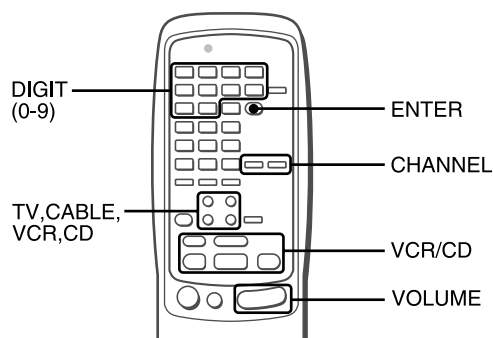
After the fourth DIGIT button is pressed, the indicator blinks twice indicating that the ID code is correct and is stored on the remote control.

To confirm the stored ID code

You can check the stored ID code by counting the indicator blinking.

- 1 Press either the TV, CABLE, VCR or CD button.**
For example, to check the stored code for CD player, press CD.
- 2 Press and hold the SET UP button for about 3 seconds.**
- 3 Press "9," "9" and "0."**
- 4 Press "1," and count the indicator blinks.**
For example, in the case that the stored ID is "0157." The indicator does not blink.
- 5 Press "2," and count the indicator blinks.**
The indicator blinks once.
- 6 Press "3," and count the indicator blinks.**
The indicator blinks five times.
- 7 Press "4," and count the indicator blinks.**
The indicator blinks seven times.

TO CONTROL TV, CABLE TV, VCR AND CD PLAYER



1 Press any button in the MODE SELECT area (TV, CABLE, VCR or CD).

The remote control is ready to operate the selected mode equipment.

2 Press one of the buttons indicated above.

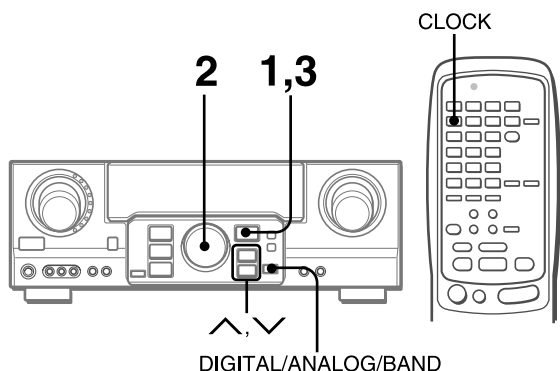
For the use of the 0 – 9 and the ENTER buttons, see the instruction manual supplied with the unit to be controlled.

Other buttons indicated above have the same function which you will find on the unit to be controlled.

NOTE

- Reenter the ID code of the external equipment after replacing the batteries of the remote control.
- If there are plural ID codes for external equipment in the "APPENDIX," try each number listed until you can control the external equipment.

SETTING THE CLOCK



When the AC cord is connected for the first time, the clock on the display flashes.

Set the time as follows while the power is off.

1 Press the ENTER button.

The display becomes a little brighter.



2 Within 4 seconds, turn the MULTI JOG to designate the hour and the minute.

The time advances by turning it to the right, and decreases by turning it to the left.

The \wedge or \vee button on the main unit is also available. Press the button repeatedly. To change the time rapidly in 10-minute steps, hold it down.

3 Press the ENTER button.

The clock starts from 00 seconds.

NOTE

When the clock is set for the first time after purchase

Everything on the display will clear.

This is because the power economizing mode of the unit is activated, and is not a malfunction.

The power economizing mode can be canceled. See page 7 for details.

To correct the current time

Press the POWER button to turn the unit off. Carry out steps 1 to 3 above.

To display the current time

Press the CLOCK button on the remote control. The clock is displayed for 4 seconds.

When the power is off in the power economizing mode, pressing the ENTER button on the unit also displays the current time for 4 seconds.

To switch to the 24-hour standard

Display the current time, and press the DIGITAL/ANALOG/BAND button on the unit within 4 seconds.

Repeat the same procedure to restore the 12-hour standard.

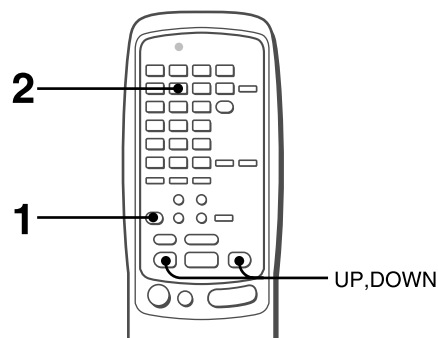
In the 12-hour standard, "AM 12:00" indicates midnight and "PM 12:00" indicates noon.

If the clock display flashes while the power is off

This is caused by a power interruption. The current time needs to be reset.

If power is interrupted for more than approximately 24 hours, all settings stored in memory after purchase need to be reset.

SETTING THE SLEEP TIMER



The receiver can be automatically turned off at a specified time.

1 Press the AIWA RECEIVER button.

2 Press the SLEEP button.



The unit will be turned off after about 60 minutes.

To specify the time until the power is turned off

Press the UP or DOWN button repeatedly within four seconds after step 2.

Each time the button is pressed, the time changes between 5 and 240 minutes in 5-minute steps.



Specified time

To check the time remaining until the power is turned off

Press the SLEEP button once. The remaining time is displayed for four seconds.

To cancel the sleep timer

Press the SLEEP button twice so that "SLEEP" on the display disappears.

SPECIFICATIONS

FM tuner section

Tuning range	87.5 MHz to 108 MHz
Usable sensitivity (IHF)	13.2 dBf
Antenna terminals	75 ohms (unbalanced)

AM tuner section

Tuning range	530 kHz to 1710 kHz (10 kHz step), 531 kHz to 1602 kHz (9 kHz step)
Usable sensitivity	350 μ V/m
Antenna	Loop antenna

Amplifier section

Power output	[Stereo Mode]
	Front
	170 watts per channel, Min. RMS at 8 ohms, from 40 Hz to 20 kHz, with no more than 0.9% Total Harmonic Distortion
	[Dolby Digital Surround or Dolby Pro Logic Mode]
	Front
	120 watts per channel, Min. RMS at 8 ohms, from 40 Hz to 20 kHz, with no more than 0.9% Total Harmonic Distortion
	Rear (Surround)
	120 watts per channel, Min. RMS at 8 ohms, 1 kHz, with no more than 0.9% Total Harmonic Distortion
	Center
	120 watts, Min. RMS at 8 ohms, 1 kHz, with no more than 0.9% Total Harmonic Distortion
Total harmonic distortion	0.08 % (85 W, 1 kHz, 8 ohms, Front)

Inputs

AUDIO IN
PHONO: 2.5 mV, adjustable (47 kohms)
CD, VIDEO 1/DVD/MD, VIDEO 2/LD/TV, VIDEO 3: 300 mV, adjustable (47 kohms)
TAPE MONITOR: 350 mV, adjustable (47 kohms)
AUX: 230 mV, adjustable (47 kohms)
DIGITAL IN
COAXIAL (VIDEO 2):
OPTICAL (VIDEO 1):
OPTICAL (VIDEO 3):
accept linear PCM signals and bit stream of Dolby Digital and DTS Surround (32 kHz, 44.1 kHz, 48 kHz and 96 kHz)
VIDEO IN: 1 Vp-p (75 ohms)

Outputs

AUDIO OUT (REC OUT): 300 mV (1 kohm)
VIDEO OUT (MONITOR): 1 Vp-p (75 ohms)
SUB WOOFER: 5.0 V
FRONT SPEAKERS IMP: 8 Ω /4 Ω selectable (front speakers A and B):
with the SPEAKER IMPEDANCE SELECTOR set to 4 Ω , accepts speakers of 4 ohms.
with the SPEAKER IMPEDANCE SELECTOR set to 8 Ω , accepts speakers of 8 ohms or more.
SURROUND SPEAKERS IMP: 8 Ω (surround speakers): accepts speakers of 8 ohms or more
CENTER SPEAKER IMP: 8 Ω /4 Ω selectable
with the SPEAKER IMPEDANCE SELECTOR set to 4 Ω , accepts speaker of 4 ohms.
with the SPEAKER IMPEDANCE SELECTOR set to 8 Ω , accepts speaker of 8 ohms or more.
PHONES (stereo jack): accepts headphones of 32 ohms or more
-20 dB

Muting

General

Power requirements	120 V AC, 60 Hz
Power consumption	270 W
Power consumption in standby mode	ECO OFF 55 W ECO ON 1.4 W
Dimensions (W \times H \times D)	430 \times 155 \times 402 mm (17 \times 6 $\frac{1}{8}$ \times 15 $\frac{7}{8}$ in.)
Weight	12.5 kg (27 lb 9 oz.)

Specifications and external appearance are subject to change without notice.

BBE SYSTEM

The word "BBE" and the "BBE symbol" are trademarks of BBE Sound, Inc.

Under license from BBE sound, Inc.

- Manufactured under license from Dolby Laboratories. "Dolby", "Pro Logic" and the double-D symbol are trademarks of Dolby Laboratories. Confidential Unpublished Works. ©1992-1997 Dolby Laboratories, Inc. All rights reserved.
- Manufactured under license from Digital Theater Systems, Inc. US Pat. No. 5,451,942 and other world-wide patents issued and pending. "DTS" and "DTS Digital Surround" are trademarks of Digital Theater Systems, Inc. ©1996 Digital Theater systems, Inc. All Rights Reserved.

CARE AND MAINTENANCE

Occasional care and maintenance of the unit is needed to optimize the performance of your unit.

To clean the cabinet

Use a soft dry cloth.

If the surfaces are extremely dirty, use a soft cloth lightly moistened with mild detergent solution. Do not use strong solvents, such as alcohol, benzine or thinner as these could damage the finish of the unit.

TROUBLESHOOTING GUIDE

If the unit fails to perform as described in these Operating Instructions, check the following guide.

GENERAL

There is no sound.

- Is the AC cord connected properly?
- Is there an incorrect connection? (→ page 3, 4)
- There may be a short circuit in the speaker terminals.
→ Disconnect the AC cord, then correct the speaker connections.
- Was an incorrect function button pressed?
- Was the TAPE MONITOR button pressed?
- Are the FRONT SPEAKERS A and B buttons set correctly?
(→ page 7)

Sound is emitted from one speaker only.

- Is the BALANCE set appropriately?
- Is the other speaker disconnected?

Sound is heard at a very low volume.

- Has the MUTING button been pressed?

An erroneous display or a malfunction occurs.

→ Reset the unit as stated below.

TUNER SECTION

There is constant, wave-like static.

- Is the antenna connected properly? (→ page 5)
- Is the FM signal weak?
→ Connect an outdoor antenna.

The reception contains noise interference or the sound is distorted.

- Is the system picking up external noise or multipath distortion?
→ Change the orientation of the antenna.
→ Move the unit away from other electrical appliances.

To reset

If an unusual condition in the display window or malfunction occurs, reset the unit as follows.

- 1 Press the POWER button to turn off the power.
- 2 Press the POWER button while pressing the ENTER button.
Everything stored in memory after purchase is canceled.

If the power cannot be turned off in step 1 because of a malfunction, reset by disconnecting the AC cord and carry out step 2.

PARTS INDEX

Instructions about each part on the unit or remote control are indicated on the pages listed below.

(in alphabetical order)

Parts	Pages
AIWA RECEIVER	6, 21
AUX	11
BALANCE	8
BBE	8
CD	11, 20
CHANNEL	20
CLOCK	21
DIGITAL/ANALOG/BAND	11-14, 21
DSP	10
ECO	7
ENTER	6, 7, 9, 11, 14, 18-21, 23
FRONT SPEAKERS A, B	7
FUNCTION	6, 11-14
GEQ	9
MANUAL SELECT (TEST)	5, 10, 16, 17
MONO TUNER	13
MULTI JOG	5, 7, 9, 10-12, 14-19, 21
MUTING, MUTE	8
PHONES	7
PHONO	11
POWER	6, 7, 13, 24
RECEIVER/DIGIT	6, 20
SET UP	6, 20
SLEEP	21
SPEAKER IMPEDANCE SELECTOR	4
SURROUND	15, 16, 19
TAPE MONITOR	11, 12
T-BASS	8
TUNER BAND	13, 14
TUNER PRESET/SURROUND	6
TUNING ∇ (DOWN)	5, 6, 8-11, 13, 14, 17, 18, 21
TUNING \blacktriangle (UP)	5, 6, 8-11, 13, 14, 17, 18, 21
TV	20
VCR	20
VIDEO 1/DVD/MD	11
VIDEO 2/LD/TV	11
VIDEO 3	11
VOLUME	6, 8

ID CODES FOR TV
CÓDIGOS DE IDENTIFICACIÓN PARA TELEVISIÓN
CODES ID DE TELEVISEURS

BRAND NAME MARCA NOM DE MARQUE	ID CODE CÓDIGO DE IDENTIFICATION CODE ID
A-Mark	0003
Abex	0032
Admiral	0093, 0463
Adventura	0046
Aiko	0092
Akai	0030
Alaron	0179
Ambassador	0177
America Action	0180
Ampro	0751
Anam	0180
Anam National	0055
AOC	0003, 0019, 0030, 0052, 0185
Archer	0003
Audiovox	0003, 0092, 0180, 0451, 0623
Baysonic	0180
Belcor	0019
Bell & Howell	0016, 0154
Bradford	0180
Brockwood	0019
Broksonic	0003, 0236, 0463
Candle	0030, 0046, 0056, 0186
Carnivale	0030
Carver	0054
Celebrity	0000
Cineral	0092, 0451
Citizen	0030, 0039, 0046, 0056, 0060, 0092, 0186, 0280
Clairtone	0185
Concerto	0056
Contec	0180, 0185
Craig	0180
Crosley	0054
Crown	0039, 0180
Curtis Mathes	0016, 0030, 0039, 0047, 0051, 0054, 0056, 0060, 0093, 0145, 0154, 0166, 0451, 0466
CXC	0180
Daewoo	0019, 0039, 0092, 0451, 0623, 0624

Daytron	0019
Denon	0145
Dumont	0017, 0019
Dwin	0720, 0774
Electroband	0000, 0185
Emerson	0019, 0038, 0039, 0154, 0177, 0178, 0179, 0180, 0185, 0236, 0280, 0282, 0463, 0623, 0624
Envision	0030
Fisher	0154, 0159
Fujitsu	0179, 0683
Funai	0171, 0179, 0180
Futuretech	0180
GE	0021, 0027, 0047, 0051, 0055, 0093, 0135, 0178, 0282, 0451
Gibraltar	0017, 0019, 0030
GoldStar	0001, 0019, 0030, 0032, 0056, 0178
Gradiente	0053, 0056
Grunpy	0179, 0180
Hallmark	0178
Harley Davidson	0179
Harman/ Kardon	0054
Harvard	0180
Hitachi	0016, 0032, 0038, 0056, 0145, 0151
Infinity	0054
Inteq	0017
Janeil	0046
JBL	0054
JCB	0000
JVC	0053
Kaypani	0052
KEC	0180
Kenwood	0019, 0030
Kloss	0024, 0046
KTV	0030, 0039, 0180, 0185, 0280
LG	0056
Logik	0016
Luxman	0056
LXI	0047, 0054, 0154, 0156, 0178
Magnavox	0020, 0024, 0030, 0054, 0096, 0179, 0186, 0187, 0386

Majestic	0016
Marantz	0030, 0054
Matsushita	0250
Megatron	0003, 0145, 0178
MEI	0185
Memorex	0016, 0056, 0150, 0154, 0178, 0250, 0463
MGA	0019, 0030, 0150, 0178
Midland	0017, 0032, 0039, 0047, 0051, 0135
Minutz	0021
Mitsubishi	0019, 0093, 0150, 0178
Motorola	0055, 0093
MTC	0019, 0030, 0056, 0060, 0185
Multitech	0180
NAD	0156, 0166, 0178
NEC	0019, 0030, 0056, 0497
Nikko	0030, 0092, 0178
Noshi	0018
NTC	0092
Onwa	0180
Optimus	0154, 0166, 0250
Optonica	0093, 0165
Orion	0179, 0236, 0463
Panasonic	0051, 0055, 0250
Penney	0003, 0018, 0019, 0021, 0027, 0030, 0032, 0039, 0047, 0051, 0056, 0060, 0135, 0156, 0178
Philco	0019, 0020, 0030, 0054, 0096, 0145, 0463
Philips	0054
Pilot	0019, 0030, 0039
Pioneer	0038, 0166
Portland	0019, 0039, 0092
Prism	0051
Proscan	0047
Proton	0003, 0052, 0178, 0466
Pulsar	0017, 0019
Quasar	0051, 0055, 0165, 0250

Radio Shack	0019, 0030, 0032, 0039, 0047, 0056, 0154, 0165, 0178, 0180
RCA	0018, 0019, 0038, 0047, 0051, 0090, 0093, 0135, 1447
Realistic	0019, 0030, 0032, 0039, 0056, 0154, 0165, 0178, 0180
Rhapsody	0185
Runco	0017, 0030, 0497, 0603
Sampo	0030, 0032, 0039, 0052
Samsung	0019, 0030, 0032, 0056, 0060, 0178
Samsux	0039
Sansei	0451
Sansui	0463
Sanyo	0154, 0159
Scimitsu	0019
Scotch	0178
Scott	0019, 0178, 0179, 0180, 0236
Sears	0047, 0054, 0056, 0154, 0156, 0159, 0171, 0178, 0179
Semivox	0180
Semp	0156
Sharp	0039, 0093, 0165, 0386
Shogun	0019
Signature	0016
Simpson	0186, 0187
Sony	0000, 0080
Soundesign	0178, 0179, 0180, 0186
Spectricon	0003
Squareview	0171
SSS	0019, 0180
Starlite	0180
Supre-Macy	0046
Supreme	0000
Sylvania	0020, 0030, 0054, 0096

Symphonic	0171
Tandy	0093
Tatung	0003, 0055
Technics	0051, 0250
Technol Ace	0179
Techwood	0003, 0051, 0056
Teknika	0016, 0019, 0039, 0054, 0056, 0060, 0092, 0150, 0179, 0180, 0186
Telefunken	0056
TMK	0056, 0177, 0178
Toshiba	0060, 0154, 0156
Tosonic	0185
Totevision	0039
Universal	0027
Vector Research	0030
Victor	0053
Vidikron	0054
Vidtech	0019, 0178
Viking	0046
Wards	0016, 0019, 0020, 0021, 0027, 0030, 0054, 0056, 0080, 0096, 0165, 0178, 0179
White Westinghouse	0463, 0623, 0624
Yamaha	0019, 0030
Zenith	0016, 0017, 0092, 0463, 0624
Zonda	0003

ID CODES FOR CABLE TV

CÓDIGOS DE IDENTIFICACIÓN PARA CABLEVISIÓN

CODES ID DE DECODEURS

BRAND NAME MARCA NOM DE MARQUE	ID CODE CÓDIGO DE IDENTIFICATION CODE ID
ABC	0001, 0003, 0007, 0008, 0011, 0013, 0014, 0017
Allegro	0153, 0315
Americast	0899
Antronix	0022, 0207
Archer	0022, 0153, 0207, 0797
BBT	0267
Belcor	0056
Bell & Howell	0014
Bell South	0899
Cable Star	0056
Cabletenna	0022
Cableview	0022
Century	0153
Citizen	0153, 0315
Colour Voice	0025, 0031
Comtronics	0040
Contec	0019
Digi	0637
Eastern	0002
Emerson	0797
Everquest	0015, 0040
Focus	0400
Garrard	0153
GC Electronics	0056, 0207
Gemini	0015, 0797
General Instrument	0011, 0276, 0476, 0810
GoldStar	0040, 0144
Goodmind	0779
Hamlin	0009, 0020, 0034, 0259
Hitachi	0011
Hytex	0007
Jasco	0015, 0153, 0315
Jerrold	0003, 0011, 0012, 0014, 0015, 0024, 0276, 0476, 0810
Linsay	0440
Magnavox	0027

Memorex	0000
Movie Time	0063, 0156
Novaplex	0618
NSC	0063, 0156
Oak	0007, 0019
Optimus	0021
Panasonic	0000, 0021, 0107
Panther	0637
Paragon	0000
Philips	0025, 0027, 0031, 0153
Pioneer	0023, 0144, 0533, 0877
Popular Mechanics	0400
Pulsar	0000
Quasar	0000
Radio Shack	0015, 0315, 0797, 0883
RCA	0021
Realistic	0207
Recoton	0400
Regal	0020, 0259
Regency	0002
Rembrandt	0011
Runco	0000
Samsung	0040, 0144
Scientific Atlanta	0008, 0017, 0477, 0877
Seam	0510
Signal	0015, 0040
Signature	0011
SL Marx	0040
Sprucer	0021
Starcom	0003, 0015
Stargate	0015, 0040, 0797
Starquest	0015
Sylvania	0001
Tandy	0258
TeleCaption	0221
Televue	0040
Texscan	0001
TFC	0310
Timeless	0418
Tocom	0012, 0013
Toshiba	0000

Tusa	0015
TV86	0063
Unika	0022, 0153, 0207
United Artists	0007
Universal	0022, 0056, 0153, 0191, 0207
Viewstar	0027, 0063, 0258
Zenith	0000, 0054, 0525, 0899
Zentek	0400

ID CODES FOR VCR

CÓDIGOS DE IDENTIFICACIÓN PARA VIDEOGRABADORAS

CODES ID DE MAGNETOSCOPES

BRAND NAME MARCA NOM DE MARQUE	ID CODE CÓDIGO DE IDENTIFICATION CODE ID
Admiral	0048, 0209
Adventura	0000
Aiko	0278
Aiwa	0000, 0037, 0307, 0406, 0436, 0468, 0557
Akai	0041, 0061, 0106
American Action	0278
American High	0035
Asha	0240
Audiovox	0037
Beaumarck	0240
Bell & Howell	0104
Broksonic	0002, 0121, 0184, 0209, 0479
Calix	0037
Canon	0035
Capehart	0020
Carver	0081
CCE	0072, 0278
Cineral	0278
Citizen	0037, 0278
Colt	0072
Craig	0037, 0047, 0072, 0240, 0271
Curtis Mathes	0035, 0041, 0060, 0162
Cybernex	0240
Daewoo	0020, 0045, 0278, 0561
Daytron	0020
Denon	0042
Dynatech	0000
Electrohome	0037
Electroponic	0037
Emerex	0032
Emerson	0000, 0002, 0036, 0037, 0043, 0061, 0068, 0121, 0184, 0208, 0209, 0212, 0278, 0479, 0561
Fisher	0047, 0054, 0066, 0104

Fuji	0033, 0035
Funai	0000
Garrard	0000
GE	0035, 0048, 0060, 0202, 0240
Go Video	0432, 0526
GoldStar	0037, 0038
Gradiente	0000, 0008
Harley Davidson	0000
Harman/Kardon	0038, 0081
Harwood	0068, 0072
Headquarter	0046
HI-Q	0047
Hitachi	0000, 0041, 0042, 0105
Hughes Network Systems	0042
Jensen	0041
JVC	0008, 0041, 0067
KEC	0037, 0278
Kenwood	0038, 0041, 0067
KLH	0072
Kodak	0035, 0037
Lloyd's	0000, 0208
Logik	0072
LXI	0037
Magnasonic	0278
Magnavox	0000, 0035, 0039, 0081, 0110, 0149
Magnin	0240
Marantz	0035, 0081
Marta	0037
Matsushita	0035, 0162, 0454
MEI	0035
Memorex	0000, 0035, 0037, 0039, 0046, 0047, 0048, 0104, 0209, 0240, 0307, 0454, 1162
MGA	0043, 0061, 0240
MGN Technology	0240
Minolta	0042, 0105
Mitsubishi	0043, 0048, 0061, 0067
Motorola	0035, 0048
MTC	0000, 240
Multitech	0000, 0072

NEC	0038, 0041, 0067, 0104
Nikko	0037
Nikon	0034
Noblex	0240
Olympus	0035
Optimus	0037, 0048, 0104, 0162, 0432, 0454, 1162
Optonica	0062
Orion	0002, 0184, 0209, 0479
Panasonic	0035, 0077, 0162, 0225, 0454, 0616, 1162
Penney	0035, 0037, 0038, 0042, 0054, 0240
Pentax	0042, 0105
Philco	0035, 0209, 0479
Philips	0035, 0062, 0081, 0110, 0618
Pilot	0037
Pioneer	0067
Portland	0020
Profitronic	0240
Proscan	0060, 0202
Protec	0072
Pulsar	0039
Quarter	0046
Quartz	0046
Quasar	0035, 0077, 0162, 0454, 1162
Radio Shack	0000
Radix	0037
Randex	0037
RCA	0035, 0042, 0048, 0060, 0077, 0105, 0106, 0149, 0202, 0240
Realistic	0000, 0035, 0037, 0046, 0047, 0048, 0062, 0066, 0104
ReplayTV	0614, 0616
Ricoh	0034
Runco	0039
Samsung	0045, 0240

ID CODES FOR CD PLAYER

CÓDIGOS DE IDENTIFICACIÓN PARA REPRODUCTORES DE DISCOS COMPACTOS

CODES ID DE LECTEURS CD

Sanky	0039, 0048
Sansui	0000, 0041, 0067, 0209, 0271, 0479
Sanyo	0046, 0047, 0104, 0240
Scott	0043, 0045, 0121, 0184, 0210, 0212
Sears	0000, 0035, 0037, 0042, 0046, 0047, 0054, 0066, 0104, 0105
Semp	0045
Sharp	0048, 0062
Shintom	0072
Shogun	0240
Singer	0072
Sony	0000, 0032, 0033, 0034, 0035
STS	0042
Sylvania	0000, 0035, 0043, 0081, 0110
Symphonic	0000
Tatung	0041
Teac	0000, 0041
Technics	0035, 0162
Teknika	0000, 0035, 0037
Thomas	0000
Tivo	0618
TMK	0036, 0208, 0240
Toshiba	0043, 0045, 0066, 0210, 0212
Totevision	0037, 0240
Unitech	0240
Vector	0045
Vector Research	0038
Video Concepts	0045, 061
Videosonic	0240
Wards	0000, 0035, 0042, 0047, 0048, 0060, 0062, 0072, 0081, 0149, 0212, 0240
White Westinghouse	0209, 0278
XR-1000	0000, 0035, 0072
Yamaha	0038
Zenith	0000, 0033, 0034, 0039, 0209, 0479

BRAND NAME MARCA	ID CODE CÓDIGO DE IDENTIFICATION
NOM DE MARQUE	CODE ID
ADC	0018
Adcom	0155, 0234
Aiwa	0012, 0124, 0157, 0213, 0830
Akai	0156
Audio Alchemy	0194
Audio-Technica	0170
BSR	0194, 0245
Burmester	0420
California Audio Labs	0029
Carrera	0194
Carver	0157, 0179, 0437
DAK	0245
Denon	0003, 0873
DKK	0000
Emerson	0155, 0164, 0305, 0469
Fisher	0088, 0174, 0179, 0342
Garrard	0245, 0280, 0393, 0420
GE	0009
Genexxa	0032, 0164, 0305
Harman/ Kardon	0157, 0173, 0426
Hitachi	0032, 0155
JVC	0072
Kenwood	0028, 0037, 0190, 0626, 0681, 0826
Kodak	0287
Krell	0157
Kyocera	0018
Linn	0157
Luxman	0093
LXI	0305
Magnavox	0157, 0305
Marantz	0029, 0157, 0180
McIntosh	0287
MCS	0029
Mission	0157
MTC	0420
NEC	0234
Nikko	0164 0170, 0174

NSM	0157
Onkyo	0101, 0868
Optimus	0000, 0032, 0037, 0087, 0145, 0179, 0194, 0280, 0305, 0342, 0420, 0426, 0437, 0468, 1063
Panasonic	0029, 0303, 0367, 0752
Parasound	0194, 0420
Philips	0157, 0287, 0626
Pioneer	0032, 0244, 0305, 0468, 1063
Proton	0157
QED	0157
Quasar	0029
RCA	0009, 0053, 0155, 0179, 0305, 0764
Realistic	0155, 0164, 0179, 0180, 0420
Rotel	0157, 0420
SAE	0157
Sansui	0157, 0202, 0305
Sanyo	0087, 0179
Scott	0155, 0164, 0305
Sears	0305
Sharp	0037, 0180, 0861
Sherwood	0180, 0426
Sony	0000, 0185, 0490, 0604, 0605
Soundesign	0145
STS	0018
Tascam	0420
Teac	0174, 0180, 0393, 0420
Technics	0029, 0303
Vector Research	0194
Victor	0072
Wards	0053, 0157
Yamaha	0036, 0170, 0187
Yorx	0461

ID CODES FOR DSS SATELLITE

CÓDIGOS DE IDENTIFICACIÓN PARA RECEPTORES DSS DE SATÉLITES

CODES ID DE SATELLITES DSS

BRAND NAME MARCA	ID CODE CÓDIGO DE IDENTIFICATION
NOM DE MARQUE	CODE ID
AlphaStar	0772
Echostar	0775, 1005
Expressvu	0775
General Instrument	0361, 0627, 0869
Hitachi	0819
HTS	0775
Hughes Network Systems	0749
Jerrold	0361, 0627
JVC	0775
Magnavox	0722, 0724
Memorex	0724
Next Level	0869
Panasonic	0701
Philips	0722, 0724
Primestar	0361, 0627
Radio Shack	0869
RCA	0143, 0392, 0566, 0855
Sony	0639
Star Choice	0869
Toshiba	0790
Uniden	0722, 0724
Zenith	0856

NOTE

This equipment has been tested and found to comply with the limits for a Class B digital device, pursuant to Part 15 of the FCC Rules. These limits are designed to provide reasonable protection against harmful interference in a residential installation.

This equipment generates, uses, and can radiate radio frequency energy and, if not installed and used in accordance with the instructions, may cause harmful interference to radio communications. However, there is no guarantee that interference will not occur in a particular installation. If this equipment does cause harmful interference to radio or television reception, which can be determined by turning the equipment off and on, the user is encouraged to try to correct the interference by one or more of the following measures:

- Reorient or relocate the receiving antenna.
- Increase the separation between the equipment and receiver.
- Connect the equipment into an outlet on circuit different from that to which the receiver is connected.
- Consult the dealer or an experienced radio/TV technician for help.

CAUTION

Modifications or adjustments to this product, which are not expressly approved by the manufacturer, may void the user's right or authority to operate this product.

AIWA CO.,LTD.

For assistance and information *call toll free 1-800-BUY-AIWA* (United States and Puerto Rico)

ADVERTENCIA

PARA REDUCIR EL RIESGO DE INCENDIOS O SACUDIDAS ELECTRICAS, NO EXPONGA ESTE APARATO A LA LLUVIA NI A LA HUMEDAD.



Explicación de los símbolos gráficos:



El símbolo del rayo con punta de flecha, en el interior de un triángulo equilátero, tiene la finalidad de avisar al usuario de la presencia de "tensiones peligrosas" sin aislar en el interior del producto que podrían ser de suficiente magnitud como para constituir un riesgo de sacudida eléctrica para las personas.



El signo de exclamación en el interior de un triángulo equilátero tiene la finalidad de avisar al usuario de la presencia de instrucciones de operación y mantenimiento (reparación) en el material impreso que acompaña al aparato.

Anotación del propietario

Para su conveniencia, anote el número de modelo y el número de serie (los encontrará en el panel trasero de su aparato) en el espacio suministrado más abajo. Menciónelos cuando se ponga en contacto con su concesionario Aiwa en caso de tener dificultades.

N.º de modelo	N.º de serie (N.º de lote)
AV-D77	

PRECAUCIONES

Antes de utilizar la unidad, lea cuidadosa y completamente este manual instrucciones. Guarde el manual de instrucciones para futuras referencias. Todos los avisos y precauciones del manual de instrucciones y de la unidad deberán seguirse estrictamente, así como las sugerencias de seguridad indicadas a continuación.

Instalación

- 1 Agua y humedad** — No utilice esta unidad cerca del agua, como al lado de una bañera, un lavabo, una piscina, etc.
- 2 Calor** — No utilice esta unidad cerca de fuentes térmicas, como salidas de calefacción, estufas, ni demás aparatos que generen calor. Tampoco deberá someterse a temperaturas inferiores a 5°C (41°F) ni superiores a 35°C (95°F).
- 3 Superficie de montaje** — Coloque la unidad sobre una superficie plana y nivelada.
- 4 Ventilación** — La unidad deberá colocarse donde tenga espacio suficiente a su alrededor para asegurar su ventilación adecuada. Deje un espacio libre de 10 cm en la parte posterior y superior de la unidad, y de 5 cm a cada lado.
 - No la coloque sobre una cama, una alfombra, ni nada similar que pueda bloquear las aberturas de ventilación.
 - No la instale en una librería, un armario, ni un bastidor cerrado, donde la ventilación podría ser deficiente.
- 5 Entrada de objetos y líquidos** — Tenga cuidado de que en el interior de la unidad no entren objetos pequeños ni líquidos a través de las aberturas de ventilación.
- 6 Carritos y estantes** — Cuando haya colocado o montado la unidad sobre un estante o un carrito, deberá moverla con cuidado. Las paradas repentinas, la fuerza excesiva, o las superficies desiguales podrían causar el vuelco o la caída de la combinación de la unidad y el carrito. 
- 7 Montaje en una pared o en el techo** — La unidad no deberá montarse en una pared ni en el techo, a menos que se especifique en el manual de instrucciones.

Energía eléctrica

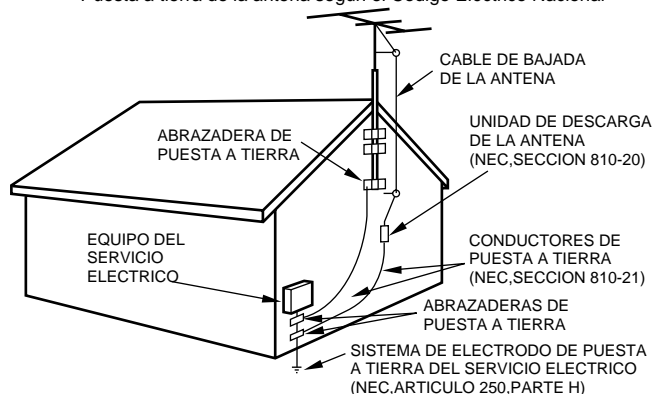
- 1 Fuentes de alimentación** — Conecte esta unidad solamente a las fuentes de alimentación especificadas en las instrucciones de manejo, y como está marcado en la unidad.
- 2 Polarización** — Como medida de seguridad, algunas unidades disponen de enchufes de alimentación de CA polarizados que solamente podrán insertarse de una forma en el tomacorriente de la red. Si es difícil o imposible insertar el enchufe de alimentación de CA en un tomacorriente de la red, dele la vuelta e inténtelo de nuevo. Si sigue sin poder insertarse bien, llame a un técnico de servicio cualificado para que reemplace el tomacorriente. para evitar anular la función de seguridad del enchufe polarizado, no lo inserte a la fuerza en un tomacorriente.
- 3 Cable de alimentación de CA**
 - Para desconectar el cable de alimentación, tire del enchufe de CA. No tire del propio cable.
 - No tome nunca el cable de alimentación de CA con las manos húmedas, ya que esto podría resultar en incendios o descargas eléctricas.
 - No pise el cable de alimentación ni lo pille con objetos colocados encima o contra él, ya que podrían producirse incendios o descargas eléctricas.
 - Evite sobrecargar las tomas de CA y los cables prolongadores más allá de su capacidad, ya que pueden producirse incendios o descargas eléctricas.
- 4 Cable prolongador** — Para evitar descargas eléctricas, no utilice el enchufe de alimentación de CA polarizado con un cable prolongador ni tomacorriente a menos que el enchufe pueda insertarse completamente a fin de evitar que sus cuchillas queden al descubierto.

5 Períodos sin utilización — Cuando no vaya a utilizar la unidad durante varios meses, desenchufe el cable de alimentación de CA del tomacorriente de la red. Cuando el cable de alimentación está enchufado, circulará una pequeña corriente por la unidad, incluso aunque la alimentación esté desconectada.

Antena exterior

- 1 Líneas eléctricas** — Cuando conecte una antena exterior, cerciórese de que esté alejada de las líneas eléctricas.
- 2 Puesta a tierra de la antena exterior** — Cerciórese de que el sistema de antena esté adecuadamente puesto a tierra como medida de protección contra sobretensiones inesperadas o la generación de electrostática. El artículo 810 del código National Electrical Code, ANSI/NFPA70 proporciona información sobre la puesta a tierra adecuada del mástil, la estructura de soporte, y la acometida a la unidad de descarga de la antena, así como sobre el tamaño de la unidad de puesta a tierra, la conexión de los terminales de puesta a tierra, y los requisitos de puesta a tierra de los propios terminales.

Puesta a tierra de la antena según el Código Eléctrico Nacional



NEC(CODIGO ELECTRICO NACIONAL)

Mantenimiento

Limpie la unidad solamente como se recomienda en el manual de instrucciones.

Daños que requieren reparación

Haga que la unidad sea revisada por un técnico de servicio cualificado si:

- se ha dañado el cable de alimentación o el enchufe de CA.
- en el interior de la unidad han entrado objetos o líquidos.
- la unidad ha estado expuesta a la lluvia o al agua.
- la unidad parece no funcionar normalmente.
- la unidad presenta un cambio notable en su rendimiento.
- la unidad ha caído, o se ha dañado su caja.

NO INTENTE REPARAR USTED MISMO LA UNIDAD.

Compruebe sus accesorios

Controlador remoto

Manual de instrucciones, etc.

INDICE

PRECAUCIONES 1

PREPARATIVOS

CONEXIONES 3
 ANTES DE LA OPERACION 7

SONIDO

AJUSTE DEL SONIDO A SU GUSTO 8
 ECUALIZADOR GRAFICO ELECTRONICO 9
 SONIDO PERIMETRICO DEL PROCESADOR DE SEÑAL DIGITAL 10

OPERACIONES BASICAS

SELECCION DE UNA FUENTE DE AUDIO/VIDEO 11
 GRABACION DE UNA FUENTE DE AUDIO 12

ESCUCHA DE LA RADIO

SINTONIA MANUAL 13
 MEMORIZACION DE EMISORAS 14

DOLBY SURROUND Y DTS SURROUND

SELECCION DE DOLBY SURROUND 15
 AJUSTE DEL SONIDO DOLBY DIGITAL SURROUND 18
 SELECCION DE DTS SURROUND 19

CONTROLADOR REMOTO

OPERACION DE UN TELEVISOR, SISTEMA DE CABLEVISION, VIDEOGRABADORA, Y REPRODUCTOR DE DISCOS COMPACTOS 20

TEMPORIZADOR

PUESTA EN HORA DEL RELOJ 21
 PROGRAMACION DEL TEMPORIZADOR CRONODESCONECTADOR 21

GENERALIDADES

ESPECIFICACIONES 22
 CUIDADOS Y MANTENIMIENTO 23
 GUIA PARA LA SOLUCION DE PROBLEMAS 23
 INDICE DE LAS PARTES 23

APÉNDICE

CÓDIGOS DE IDENTIFICACIÓN PARA TELEVISIÓN A-1
 CÓDIGOS DE IDENTIFICACIÓN PARA CABLEVISIÓN A-3
 CÓDIGOS DE IDENTIFICACIÓN PARA VIDEOGRABADORAS A-4
 CÓDIGOS DE IDENTIFICACIÓN PARA REPRODUCTORES DE DISCOS COMPACTOS A-5
 CÓDIGOS DE IDENTIFICACIÓN PARA RECEPTORES DSS DE SATÉLITES A-6

CONEXIONES

Antes de conectar el cable de alimentación de CA

La tensión nominal de su unidad indicada en el panel posterior de su unidad es de 120 V CA. Compruebe si esta tensión coincide con la de la red local.

IMPORTANTE

Conecte primero los altavoces, las antenas, y todos los demás equipos externos. Después conecte el cable de alimentación de CA.

CONEXION DE EQUIPOS

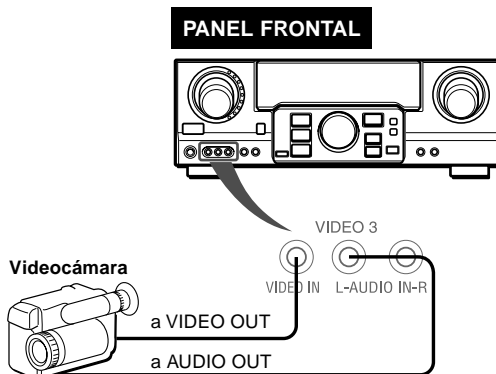
Las clavijas de los cables conectores y las tomas están codificadas en color de la forma siguiente:

- Clavijas y tomas rojas: Para el canal derecho de señales de audio
- Clavijas y tomas blancas: Para el canal izquierdo de señales de audio
- Clavijas y tomas amarillas o negras: Para señales de vídeo o de vídeo S

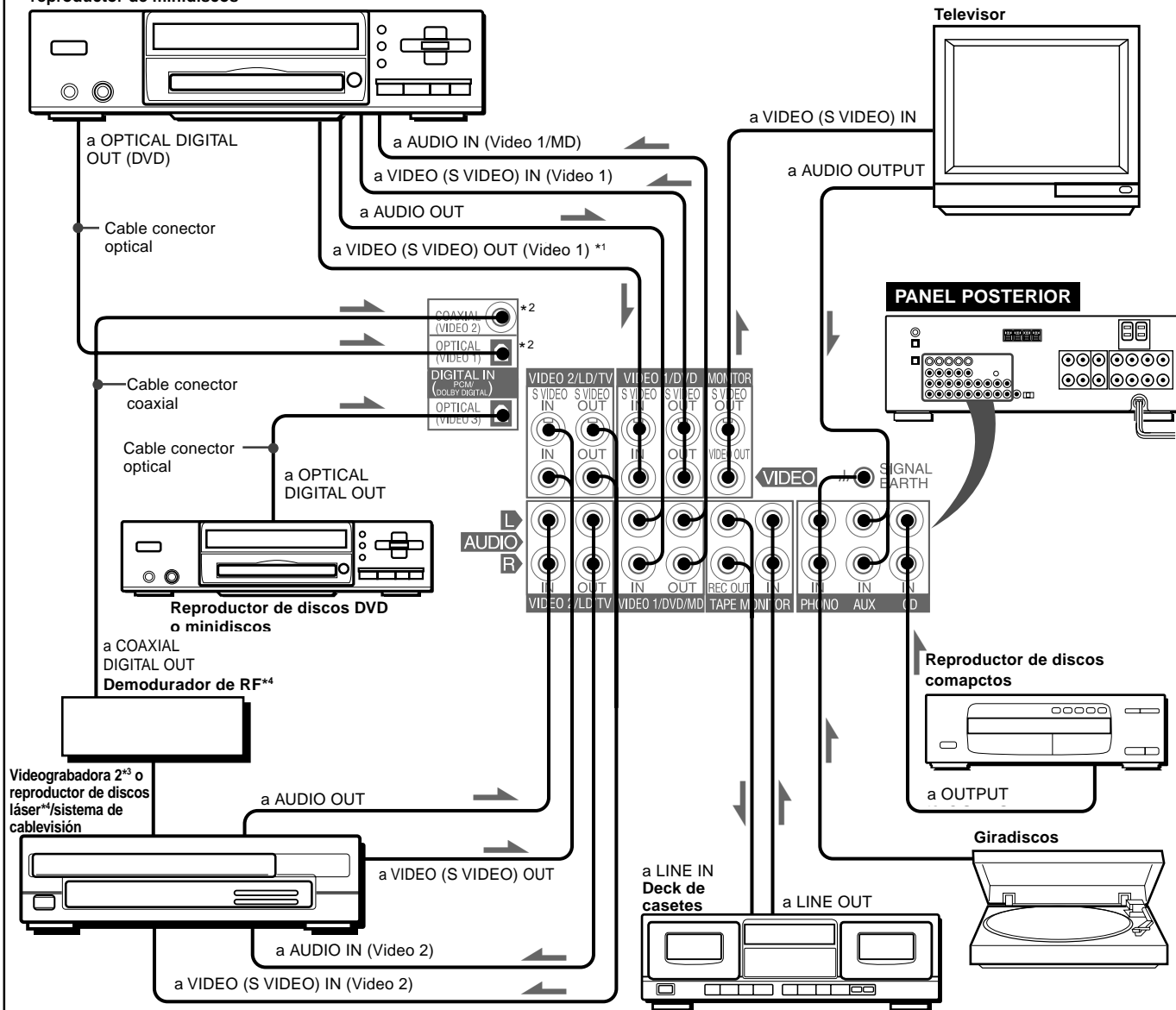
NOTA

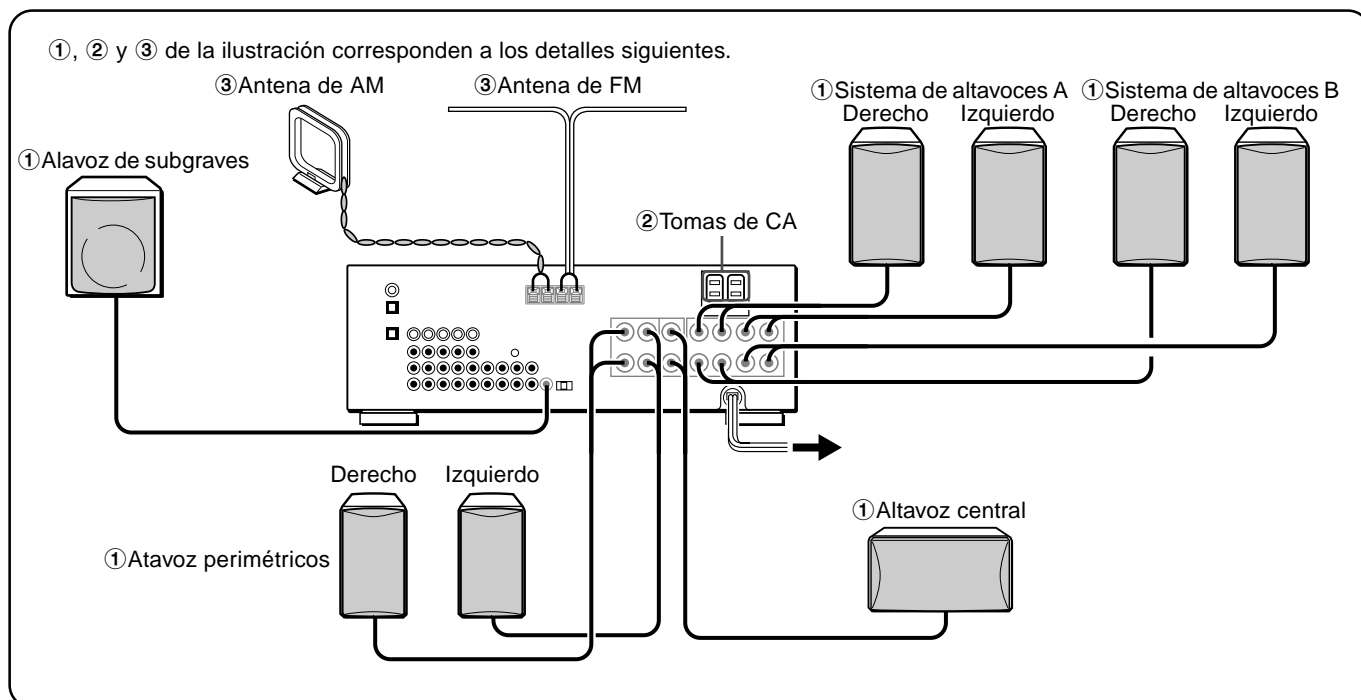
Inserte las clavijas de los cables conectores firmemente en las tomas. Las conexiones flojas podrían producir zumbidos u otras interferencias de ruido.

- *1 Cerciórese de conectar el terminal VIDEO (S VIDEO) OUT de un reproductor de discos DVD directamente a un televisor, no a través de esta unidad. De lo contrario, es posible que aparezca ruido en las imágenes cuando reproduzca discos DVD protegidos contra copia.
- *2 El sonido de entrada a través de los terminales DIGITAL IN no podrá grabarse. Para grabar sonido un procedente de un reproductor de discos DVD, CD, MD o LD, conecte los terminales AUDIO OUT del reproductor a los terminales AUDIO IN correspondientes del receptor.
- *3 Para conectar a un equipo de vídeo monoaural, utilice un cable conector de estéreo-monoaural (no suministrado).
- *4 Cuando haya conectado un reproductor de discos LD provisto de terminal AC-3 RF OUT, utilice un demodulador de RF. Conecte también los terminales AUDIO OUT del reproductor de discos LD al reproductor para reproducir todas las fuentes. Para más información, consulte el manual de instrucciones del reproductor de discos LD.



Reproductor de discos DVD o videogradora 1*3/ reproductor de minidiscos





CONEXION DE LOS ALTAVOCES ①

Terminales para altavoces

Conecte los altavoces delanteros (sistema A y/o B), un altavoz central, y altavoces perimétricos a los terminales para altavoces correspondientes de la unidad.

- los cable de los altavoces delanteros a los terminales FRONT SPEAKERS
- el cable del altavoz central a los terminales CENTER SPEAKER
- los cables de los altavoces perimétricos a los terminales SURROUND SPEAKERS
- para obtener graves más potentes, el cable del altavoz de subgraves (con amplificador incorporado) a la toma SUB WOOFER.

Al conectar el altavoz de subgraves, asegúrese de seleccionar el modo "SUBW ON" (altavoz de subgraves activado) (consulte la página 5).

Impedancia de los altavoces

• Altavoces delanteros y central

Utilice altavoces de la misma impedancia para los delanteros y el central.

El selector SPEAKER IMPEDANCE SELECTOR del panel posterior deberá ponerse en la posición correspondiente al valor de impedancia de los altavoces delanteros y central.

Cuando utilice altavoces de 4 ohmios, ponga el selector en IMP:4Ω. Cuando utilice altavoces de 8 ohmios, ponga el selector en IMP:8Ω. Antes de ajustar el selector, desenchufe el cable de alimentación de CA.

• Altavoces perimétricos y altavoz de subgraves

El selector SPEAKER IMPEDANCE SELECTOR no afecta a los terminales SURROUND SPEAKERS ni a la toma SUB WOOFER. Para los altavoces perimétricos y el altavoz de subgraves, utilice altavoces de 8 ohmios o más.

Conexión de los terminales + a +, y - a -

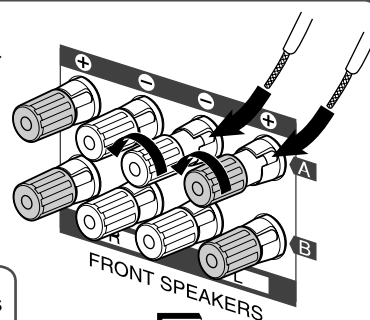
Para obtener el efecto acústico apropiado, los terminales de la unidad y de los altavoces deberán conectarse con la polaridad apropiada: los terminales + de la unidad deberán conectarse a los terminales + de los altavoces (y - a -).

NOTA

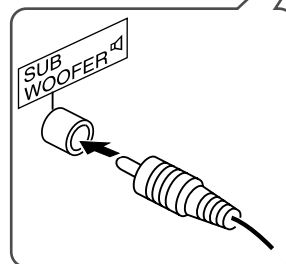
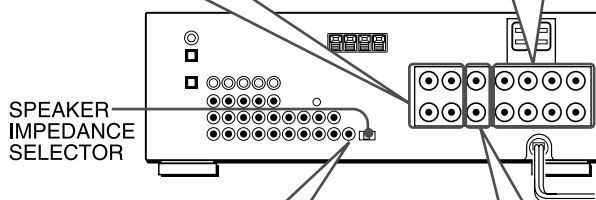
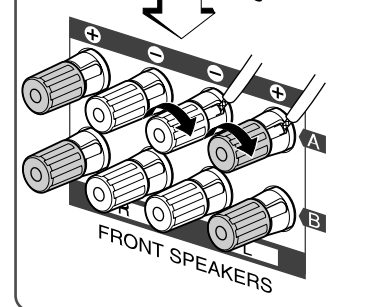
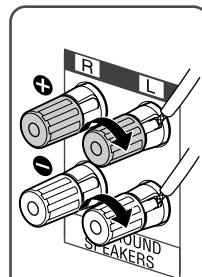
- Cerciórese de conectar correctamente los cables de los altavoces como se muestra en la columna de la derecha. La conexión inapropiada podría causar cortocircuitos en los terminales SPEAKER(S).
- No coloque objetos que generen magnetismo cerca de los altavoces.

Altavoces delanteros

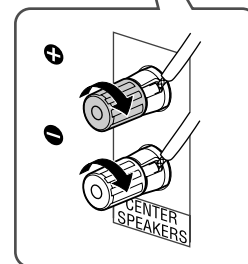
Enrole el extremo del cable alrededor del terminal. A continuación, apriete el terminal. Compruebe que el cable está correctamente conectado.



Altavoces perimétricos



Altavoz de subgraves



Altavoz central

UBICACION DE LOS ALTAVOCES

Coloque los altavoces de forma que obtenga el máximo efecto perimétrico DOLBY SURROUND, DTS SURROUND o DSP.

Altavoces delanteros (L/R)

Altavoz central (C)

Colóquelo en el centro de los dos altavoces delanteros. Además, si ha conectado un televisor a la unidad, coloque el altavoz sobre o debajo del mismo.

Altavoces perimétricos (SL/SR)

Colóquelos directamente a los lados del área de escucha o ligeramente detrás de ella. Alinéelos horizontalmente, a aproximadamente 1 metro sobre la altura de los oídos.

Altavoz de subgraves (SW)

Coloque el altavoz de subgraves entre los dos altavoces delanteros.

Al conectar un altavoz de subgraves

Seleccione el modo "SUBW ON".

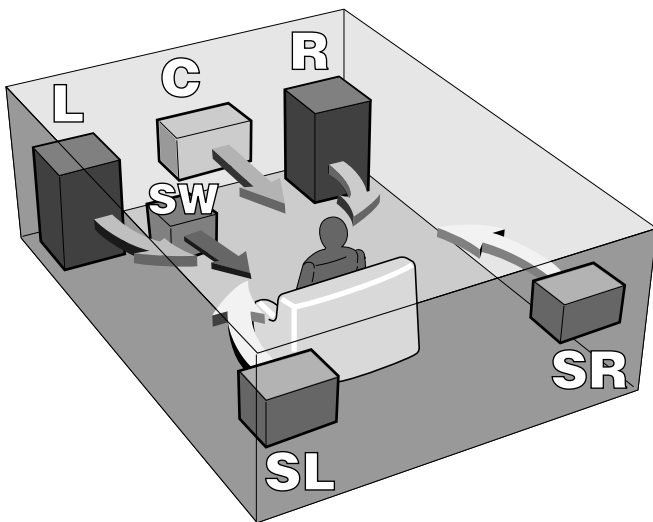
1. Presione el botón MANUAL SELECT del controlador remoto una vez que aparezca "SUBW OFF" en el visualizador.
2. Antes de 4 segundos, presione el botón TUNING ∇ (DOWN) o gire MULTI JOG hacia la izquierda para mostrar "SUBW ON".

Si no hay ningún altavoz de subgraves conectado, asegúrese de seleccionar "SUBW OFF".

Muestre "SUBW ON" en el paso 1 y presione el botón TUNING \blacktriangle (UP) o gire MULTI JOG hacia la derecha en el paso 2.

NOTA

El sonido de los altavoces perimétricos o del altavoz central depende del ajuste del sonido perimétrico DOLBY SURROUND, DTS SURROUND o DSP.



USO DE LAS TOMAS DE CA DE LA UNIDAD

②

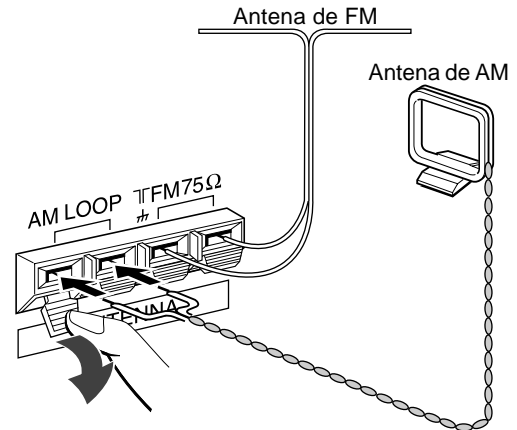
La unidad dispone de tomas de CA. Podrá utilizarlas una vez que la unidad esté conectada a una toma de CA de pared.

SWITCHED: La corriente eléctrica fluye por ella cuando la unidad está encendida.

UNSWITCHED: La corriente eléctrica siempre fluye por ella. No conecte equipos sobrepasando su capacidad (120 W, 1 A MAX. y TOTAL)

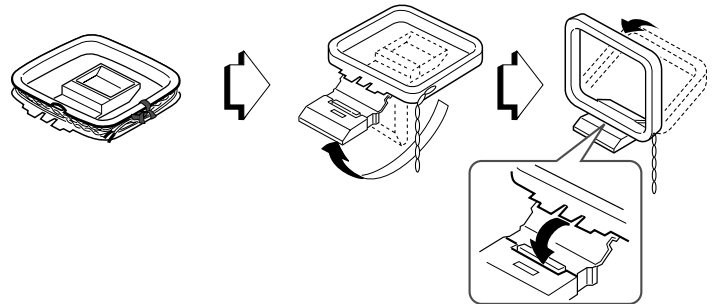
CONEXION DE LAS ANTENAS SUMINISTRADAS ③

Conecte la antena de FM a los terminales FM 75 Ω y la antena de AM a los terminales AM LOOP.



Para colocar la antena de cuadro de AM sobre una superficie

Fije la uña en la ranura como se muestra en la ilustración.



Ubicación de las antenas

Antena en T de FM:

Extienda horizontalmente esta antena en forma de T y fije sus extremos a una pared.

Antena de cuadro de AM:

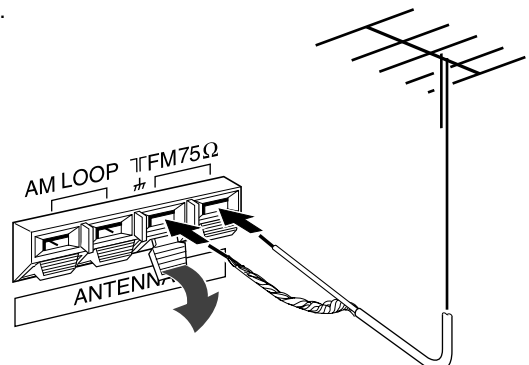
Colóquela con la orientación óptima.

NOTA

- No acerque la antena de FM a objetos metálicos ni a rieles de cortinas.
- No acerque la antena de AM a otros equipos externos, la propia unidad, el cable de alimentación de CA, ni los cables de los altavoces, porque podría captar ruido.
- No desbobine la antena de cuadro de AM.

CONEXION DE UNA ANTENA EXTERIOR

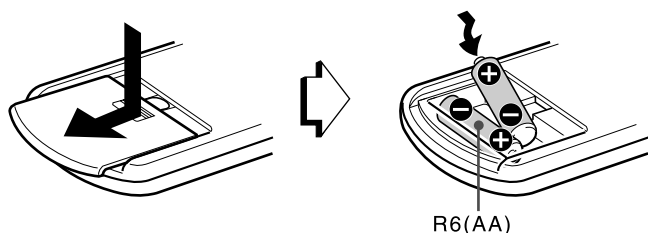
Para mejorar la recepción de FM, se recomienda utilizar una antena exterior. Conecte la antena exterior a los terminales FM 75 Ω .



SOBRE EL CONTROLADOR REMOTO

Inserción de las pilas

Quite la tapa del compartimiento de las pilas de la parte posterior del controlador remoto e inserte dos pilas R6 (AA).



Cuándo reemplazar las pilas

La distancia máxima de operación entre el controlador remoto y el sensor de la unidad deberá ser de aproximadamente 5 metros. Cuando esta distancia se reduzca, reemplace las pilas por otras nuevas.

Importante

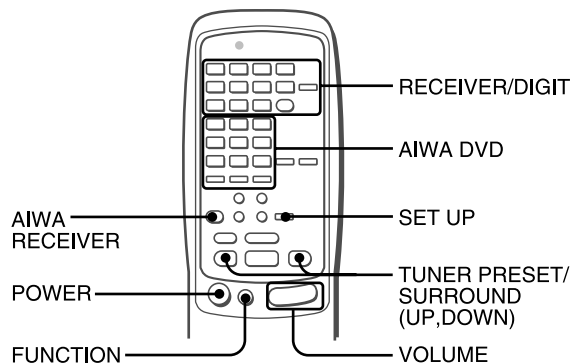
- Los botones ENTER del controlador remoto no sustituyen al botón ENTER de la unidad principal. Se utilizan para emplear reproductores de DVD AIWA u otro equipo de audio/video.
- Básicamente, los botones UP y DOWN del controlador remoto sustituyen a los botones \wedge y \vee de la unidad principal, **excepto cuando se seleccione la función TUNER.**

NOTA

- Cuando no vaya a utilizar la unidad durante mucho tiempo, extráigale las pilas para evitar la posible fuga de su electrólito.
- Es posible que el controlador remoto no funcione correctamente cuando:
 - La línea de visión entre el controlador remoto y el sensor de control remoto del interior del visualizador esté expuesta a una luz intensa como, por ejemplo, la luz solar directa.
 - Estén utilizándose cerca otros controladores remotos (de un televisor, etc.).

OPERACIÓN DEL CONTROLADOR REMOTO

Este sistema de control remoto le permitirá gobernar equipos externos además del receptor AIWA. Con respecto a los detalles sobre la operación de control remoto de gobernar equipos externos, consulte "CONTROLADOR REMOTO" de la página 20. A continuación se describe cómo utilizar el receptor AIWA y reproductores de DVD AIWA.



1 Presione el botón AIWA RECEIVER para poner el controlador remoto en el modo de receptor AIWA.

2 Presione uno de los botones indicados arriba.

Botón FUNCTION

Cada vez que presione este botón, la fuente de sonido cambiará cíclicamente en la forma siguiente.

Botones TUNER PRESET/SURROUND

Sintonizan las emisoras memorizadas en el receptor.

Para pasar a un número de memorización más alto, presione el botón UP. Para pasar a un número de memorización más bajo, presione el botón DOWN.

Este botón también se utiliza al ajustar el balance de nivel de los altavoces de sonido perimétrico DOLBY SURROUND, DTS SURROUND o DSP, etc.

NOTA

No es necesario que presione el botón AIWA RECEIVER cada vez que controle su receptor AIWA a menos que haya ajustado otro modo. (Consulte "CONTROLADOR REMOTO" de la página 20.)

Empleo de reproductores de DVD AIWA

Es posible controlar las funciones básicas de los reproductores de DVD AIWA con el controlador remoto. Básicamente, los botones de AIWA DVD tienen la misma función que los de los reproductores de DVD.

Para más información, consulte el manual de instrucciones del reproductor.

Si el receptor no puede gobernarse con el controlador remoto

Realice los pasos siguientes con el controlador remoto.

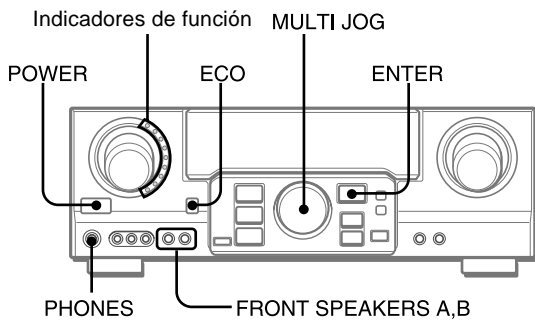
1 Presione el botón AIWA RECEIVER.

2 Mantenga presionado el botón SET UP durante unos 3 segundos.

El indicador de la parte superior del controlador remoto parpadeará dos veces mientras presione el botón.

3 Presione los botones DIGIT en el orden de "0", "4", "0", y "6".

ANTES DE LA OPERACION



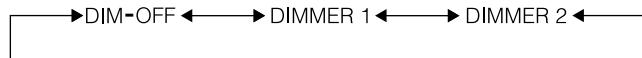
Para conectar la alimentación de la unidad

Presione el botón POWER.

La operación será posible después de cuatro segundos. Se muestra el nivel de volumen (VOL) o el nombre de función uno detrás del otro durante los primeros cuatro segundos. El indicador de la función seleccionada se iluminará en rojo.

Para cambiar el nivel de brillo del visualizador

- 1 Presione el botón ECO varias veces hasta que aparezca "DIM MODE".
- 2 Dentro de 4 segundos, presione el botón ENTER.
- 3 Dentro de 4 segundos, gire MULTI JOG para seleccionar el modo de atenuador, tal como se muestra a continuación. El modo se ajustará de forma automática después de 4 segundos. También se ajustará si el botón ENTER se presiona dentro de 4 segundos después del paso 3.



- DIM-OFF: El visualizador normal.
DIMMER 1: La iluminación del visualizador es más tenue que lo habitual.
DIMMER 2: La iluminación del visualizador es más tenue que con DIMMER 1. El indicador de función se apaga.

Utilización de auriculares

Conecte los auriculares con clavija estéreo estándar (ø6,3 mm de diá.) en la toma PHONES. Cerciérese de que los botones FRONT SPEAKERS A y B estén en **OFF**. De lo contrario, el sonido saldría a través de los altavoces.

NOTA

Cuando haya enchufado los auriculares:

- Se cancelará automáticamente el sistema Dolby Pro Logic o DSP
- El modo Dolby Digital surround o DTS surround cambiará al modo "2chSTEREO (2CH DOWNMIX)"

Selección del sistema de altavoces delanteros

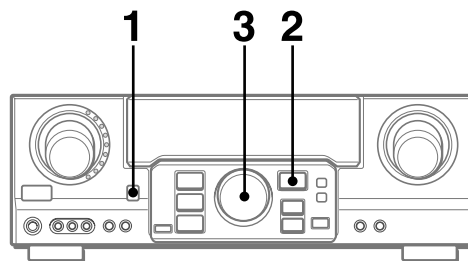
Para utilizar el sistema de altavoces A: Ponga el botón FRONT SPEAKERS A en **ON**.
Para utilizar el sistema de altavoces B: Ponga el botón FRONT SPEAKERS B en **ON**.
Para utilizar ambos sistemas de altavoces: Ponga ambos botones en **ON**.
Para desconectar uno de los sistemas (o ambos sistemas) de altavoces, ponga el botón (o los botones) en **OFF**.

NOTA

Como los sistemas de altavoces delanteros A y B están conectados en serie:
- El sonido se reducirá ligeramente cuando utilice ambos sistemas de altavoces.
- No se oír sonido si los botones FRONT SPEAKERS A y B están en **ON** cuando solamente haya conectado un sistema de altavoces.

Para desconectar la alimentación de la unidad, presione el botón POWER.

MODO DE AHORRO DE ENERGÍA (ECO)



Si ajusta esta unidad en el modo ECO, el consumo de energía se reducirá tal como se indica a continuación. El ajuste inicial del modo ECO es ON.

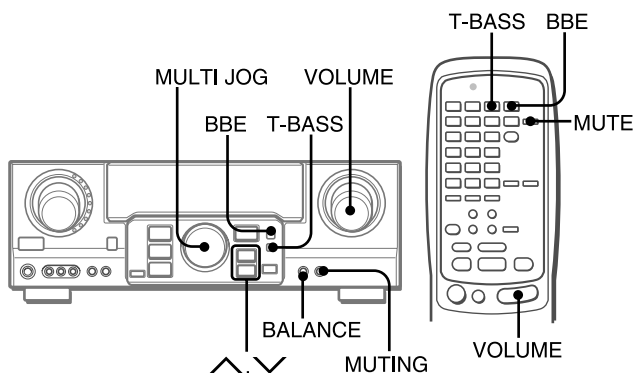
- Si la hora actual está ajustada, la indicación de reloj desaparece inmediatamente.
- Cuando la alimentación se desactiva, todos los indicadores luminosos del visualizador se apagan y sólo el indicador del lado izquierdo del visualizador se ilumina en rojo.

Para cancelar el modo ECO

- 1 Presione el botón ECO para mostrar ECO MODE mientras la unidad se encuentra encendida.
- 2 Dentro de 4 segundos, presione el botón ENTER.
- 3 Dentro de 4 segundos, gire MULTI JOG para seleccionar ECO OFF.

El modo se ajustará de forma automática después de 4 segundos. También se ajustará si el botón ENTER se presiona en un plazo de 4 segundos después del paso 3.

AJUSTE DEL SONIDO A SU GUSTO



CONTROL DEL VOLUMEN

Gire el control VOLUME de la unidad o presione los botones VOLUME del controlador remoto.

El nivel del volumen se mostrará en el visualizador durante cuatro segundos. Este nivel podrá ajustarse entre 0 y MAX (31). La indicación parpadeará cuando el nivel se haya ajustado a más de 27.

El nivel de volumen queda memorizado incluso después de desactivar la alimentación. No obstante, si ésta se desactiva con el volumen ajustado en el valor 17 o en uno superior a éste, se ajustará automáticamente en 16 la próxima vez que active la alimentación.

Para ajustar el equilibrio entre los altavoces delanteros izquierdo/derecho

Presione el botón BALANCE para hacer que se visualice "L/R 0dB". Después presione repetidamente el botón ^ o v o gire MULTI JOG antes de cuatro segundos.

Tenga presente que el equilibrio entre los altavoces delanteros para DOLBY SURROUND y DTS SURROUND también cambia.

Para silenciar temporalmente el sonido

Presione el botón MUTING (MUTE) (-20 dB).

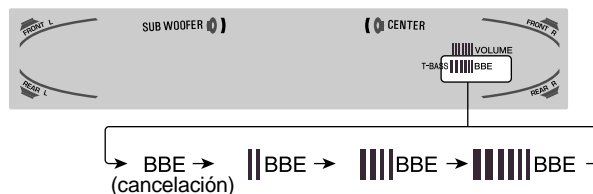
En el visualizador aparecerá "MUTE ON" durante cuatro segundos. Mientras el sonido esté silenciado, el indicador de función seleccionado parpadeará. Para restablecer el sonido, vuelva a presionar el botón MUTING.

SISTEMA BBE

El sistema BBE realiza la claridad del sonido de alta frecuencia.

Presione el botón BBE.

Cada vez que presione el botón, el nivel cambiará. Seleccione a su gusto uno de los tres niveles o la posición de cancelación.



NOTA

- El sistema BBE se cancelará automáticamente y no podrá activarse:
 - Cuando haya seleccionado el modo DIGITAL
 - Cuando haya activado Dolby Pro Logic

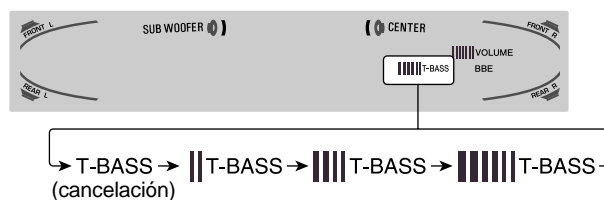
SISTEMA SUPER T-BASS

El sistema T-BASS realiza el realismo del sonido de baja frecuencia.

Presione el botón T-BASS.

Cada vez que presione el botón, el nivel cambiará.

Seleccione a su gusto uno de los tres niveles o la posición de cancelación.



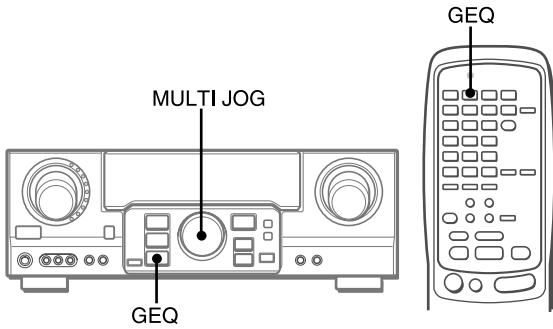
NOTA

El sonido de baja frecuencia puede distorsionarse cuando utilice el sistema T-BASS con un disco o un cassette cuyo sonido de baja frecuencia haya sido acentuado originalmente. En este caso, cancele el sistema T-BASS.

AJUSTE DEL SONIDO DURANTE LA GRABACION

El volumen y el tono de salida de los altavoces o de los auriculares podrán variarse libremente sin que se vea afectado el nivel de grabación.

ECUALIZADOR GRAFICO ELECTRONICO

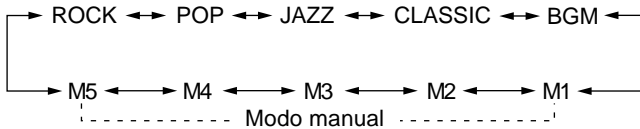


Esta unidad dispone de los cinco modos de ecualización siguientes.

- ROCK:** Acentúa el sonido de graves y agudos.
- POP:** Ofrece más presencia a las voces y a la gama media.
- JAZZ:** Acentúa las frecuencias bajas para música de tipo jazz.
- CLASSIC:** Ofrece sonido rico con graves profundos y agudos delicados.
- BGM:** Ofrece tono calmado con graves y agudos suprimidos.

Presione el botón GEQ (ecualizador gráfico) y gire MULTI JOG hasta que aparezca el modo de ecualización que desee.

Los modos GEQ se muestran de forma cíclica, de la siguiente forma.



El nombre del modo seleccionado se muestra durante cuatro segundos y se ilumina el indicador GEQ.



Modo seleccionado

Para cancelar el modo seleccionado

Presione el botón GEQ para mostrar el nombre del modo GEQ y vuelva a presionar el botón dentro de 4 segundos. En el visualizador aparecerá "GEQ OFF".

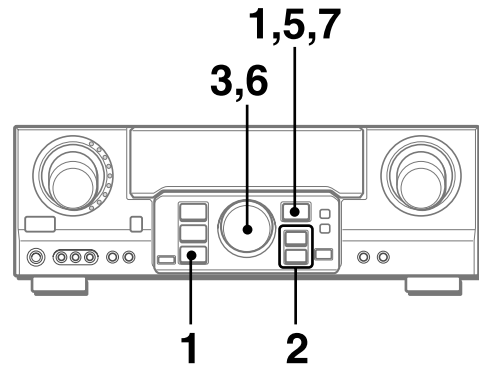
Para seleccionar con el controlador remoto

Presione repetidamente el botón GEQ hasta que se visualice el modo de ecualización deseado.

Es posible seleccionar cinco modos preajustados, los modos manuales GEQ M1 a GEQ M5 y "GEQ OFF".

AJUSTE DE NUEVAS CURVAS DE ECUALIZACIÓN

Es posible almacenar hasta 5 curvas de ecualización como los modos manuales M1 a M5.



1 Presione el botón GEQ y presione el botón ENTER dentro de 4 segundos.



2 Presione el botón ^ o v para seleccionar una frecuencia.

Parpadea el indicador de nivel de la frecuencia seleccionada.

3 Gire MULTI JOG para ajustar el nivel de la frecuencia seleccionada.

4 Repita los pasos 2 y 3 para crear la curva de ecualización que desee.

En los pasos 2 y 3, la unidad vuelve al modo normal si no se realiza ninguna operación durante aproximadamente 8 segundos.

5 Dentro de 8 segundos, presione el botón ENTER. Aparece "GEQ M1" en el visualizador.

6 Gire MULTI JOG para seleccionar un número preajustado de M1 a M5.

7 Dentro de 4 segundos, presione el botón ENTER. La curva de ecualización se almacena.

El número preajustado seleccionado y la curva de ecualización se muestran durante unos segundos cada uno.

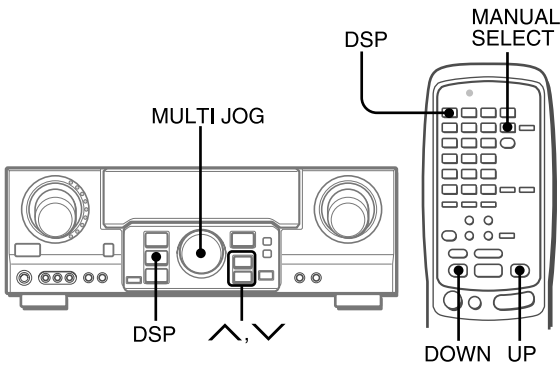
Para ajustar temporalmente la curva de ecualización gráfica

Siga los pasos 1 a 4 anteriores. La curva GEQ ajustada se conserva antes de cambiar o cancelar el modo de ecualización gráfica (GEQ).

Para seleccionar la curva preajustada manualmente

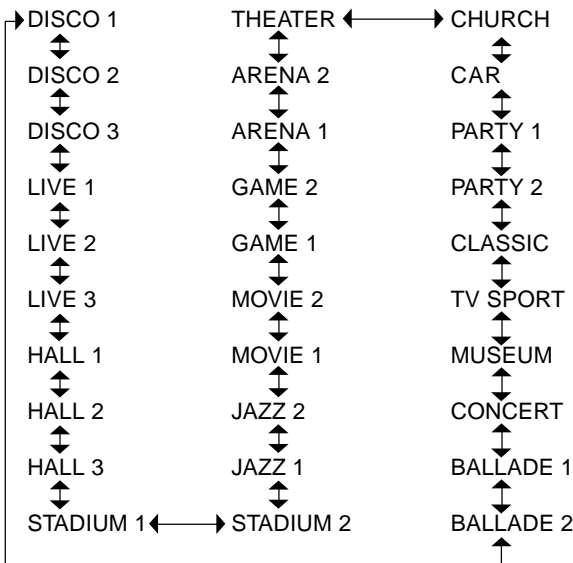
Presione el botón GEQ y gire MULTI JOG hasta que aparezca el número preajustado que desee.

SONIDO PERIMETRICO DEL PROCESADOR DE SEÑAL DIGITAL



Los circuitos de sonido perimétrico del procesador de señal digital (DSP) pueden recrear el efecto de sonidos reflejados en paredes o techos, para ofrecer la presencia de sonido de ambientes reales. La unidad proporciona 30 modos preajustados de DSP. Algunos de ellos van acompañados del correspondiente modo GEQ preajustado y le permiten seleccionar o desactivar el GEQ según sus preferencias.

Presione el botón DSP, y gire MULTI JOG o presione el botón ^ o v varias veces hasta que aparezca el modo DSP que desee.



El nombre del modo seleccionado se muestra durante cuatro segundos y se ilumina el indicador DSP. Cuando el modo DSP seleccionado va acompañado del correspondiente modo GEQ, también se ilumina el indicador GEQ.



Mode seleccionado

Cuando la fuente de música sea monoaural
El sistema DSP podrá no funcionar debidamente.

Para cancelar el modo seleccionado

Presione el botón DSP para mostrar el nombre del modo DSP y vuelva a presionar el botón dentro de 4 segundos. En el visualizador aparecerá "DSP OFF". Incluso aunque haya cancelado el modo del DSP seleccionado, el modo del GEQ adecuado o seleccionado permanecerá en el visualizador.

Para seleccionar con el controlador remoto

- 1 Presione el botón DSP.
- 2 Antes de 4 segundos, presione el botón UP o DOWN varias veces hasta que aparezca el modo DSP que desee. Es posible seleccionar 30 modos predefinidos. Para que el modo cambie rápidamente, mantenga presionado el botón UP o DOWN.

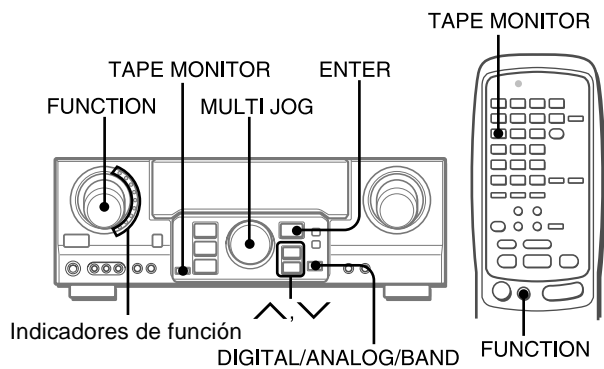
Para ajustar el volumen y el equilibrio de los altavoces perimétricos

Presione el botón MANUAL SELECT del controlador remoto tres veces para que aparezca "SUR 0dB" mientras el sistema DSP está activado. A continuación, presione repetidamente el botón ^ (UP) o v (DOWN) o gire MULTI JOG dentro de cuatro segundos.

NOTA

- El sistema de sonido perimétrico DSP se cancelará automáticamente y no podrá activarse si:
- Hay auriculares enchufados
 - La señal de entrada es de 96 kHz

SELECCION DE UNA FUENTE DE AUDIO/VIDEO



1 Seleccione la fuente de programas.

Gire el selector FUNCTION o presione el botón TAPE MONITOR. El indicador de función seleccionado parpadea en color rojo.

Para escuchar o contemplar	Indicador iluminado en rojo
Cintas	TAPE MONITOR
La radio	TUNER
Discos analógicos	PHONO
Discos compactos	CD
Televisión, etc.	AUX
Videocintas	VIDEO 1/DVD/MD, VIDEO 2/LD/TV, VIDEO 3
Discos láser o programas de cablevisión	VIDEO 2/LD/TV
Minidiscos o videodiscos digitales	VIDEO 1/DVD/MD

Las funciones que deben seleccionarse (excepto PHONO) dependen del equipo conectado a los terminales de entrada del panel posterior de la unidad.

Para seleccionar con el controlador remoto

Presione repetidamente el botón TAPE MONITOR o FUNCTION.

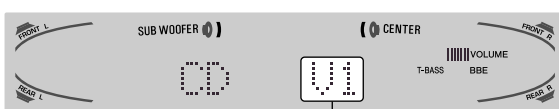
NOTA

Cuando utilice un giradiscos con amplificador incorporado, desconecte la alimentación del amplificador ecualizador. Para más información, consulte el manual de instrucciones del giradiscos.

2 Ponga en reproducción la fuente de programas seleccionada.

3 Ajuste el sonido.

Sobre la fuente de vídeo para el monitor o el televisor



V1: VIDEO 1, V2: VIDEO 2, V3: VIDEO 3

La fuente de vídeo seleccionada se indicará en el visualizador, y la señal de vídeo aplicada a la toma MONITOR VIDEO (S VIDEO) OUT saldrá al televisor.

Para seleccionar la fuente de vídeo

- 1 Active la función (FUNCTION) para seleccionar PHONO, CD o AUX.
- 2 Presione el botón ENTER para mostrar VIDEO1.
- 3 Gire MULTI JOG para seleccionar VIDEO 2 o VIDEO 3.

Para cambiar el nombre visualizado para el botón VIDEO 1 y el botón VIDEO 2

Si la función VIDEO se encuentra seleccionado, VIDEO 1 se muestra inicialmente. Es posible cambiar a DVD o MD. Presione el botón DIGITAL/ANALOG/BAND mientras presiona el botón ENTER, y suelte primero el botón ENTER. El nombre mostrado para la función VIDEO 2 puede cambiarse a VIDEO 2, LD o TV. Con la función VIDEO 2 seleccionada, presione el botón DIGITAL/ANALOG/BAND mientras presiona el botón ENTER, y suelte primero el botón ENTER.

Para seleccionar el modo "ANALOG" o "DIGITAL" (Dolby Digital o DTS surround) de la función VIDEO 1, VIDEO 2 o VIDEO 3

Presione el botón DIGITAL/ANALOG/BAND cuando seleccione VIDEO 1, VIDEO 2 o VIDEO 3. En el visualizador aparecerá el modo "ANALOG" o "DIGITAL" seleccionado.

En el modo DIGITAL: El equipo conectado al terminal OPTICAL DIGITAL IN queda seleccionado como fuente para la función VIDEO 1 o VIDEO 3, y el equipo conectado al terminal COAXIAL DIGITAL IN para la función VIDEO 2. El indicador DIGITAL se iluminará en rojo.

En el modo ANALOG: El equipo conectado a los terminales VIDEO 1/DVD/MD IN o VIDEO 3 queda seleccionado como fuente para la función VIDEO 1 o VIDEO 3, y el equipo conectado a los terminales VIDEO 2/LD/TV para la función VIDEO 2.

NOTA

El modo "DIGITAL" cambiará a "ANALOG" cuando presione el botón TAPE MONITOR.

Cuando se encienda el indicador "OVER LEVEL"

Esta unidad dispone de un indicador OVER LEVEL. Cuando las señales analógicas de entrada procedentes del equipo conectado tengan un nivel demasiado alto como para poder aceptarse, el indicador se ilumina en la parte derecha del visualizador. En este caso, ajuste el nivel de entrada como se indica a continuación de forma que desaparezca el indicador.

Para ajustar el nivel del sonido de la fuente conectada

El nivel de sensibilidad de entrada de cada función podrá ajustarse (excepto las funciones TUNER, VIDEO 1 (DIGITAL), VIDEO 2 (DIGITAL) y VIDEO 3 (DIGITAL)).

Cuando el nivel del sonido de la fuente conectada sea superior o inferior al de TUNER, ajústelo de la forma siguiente.

1 Seleccione la función que desee ajustar.

Gire FUNCTION o presione el botón TAPE MONITOR y ponga la fuente en reproducción.

2 Presione repetidamente el botón ^ (UP) o v (DOWN).



Ajuste el nivel de forma que el indicador "OVER LEVEL" no se encienda en el visualizador.

- El nivel podrá ajustarse entre -6 dB (MIN) y +8 dB (MAX) en pasos de 2 dB. Ajuste el nivel de forma que el sonido salga con el mismo nivel que el de TUNER.
- El nivel de sensibilidad de entrada de TAPE MONITOR podrá ajustarse a 0dB o -6dB.

PARA REPRODUCIR UN DISCO DVD O LD GRABADO CON DOLBY DIGITAL O DTS SURROUND

Este receptor dispone de un decodificador Dolby Digital y decodificador DTS, y terminales DIGITAL IN (OPTICAL y COAXIAL). Cuando haya conectado un reproductor de discos DVD o LD a los terminales DIGITAL IN del receptor, podrá disfrutar en su hogar de sonido con calidad semejante al de una sala de cine cuando reproduzca discos grabados con Dolby Digital surround o DTS surround.

Antes de la operación

- Compruebe que no haya seleccionado TAPE MONITOR. Si había seleccionado TAPE MONITOR, presione el botón TAPE MONITOR de forma que en el visualizador aparezca "TAPE OFF".
- Cuando haya conectado un reproductor de discos LD provisto de terminal AC-3 RF OUT, utilice un demodulador de RF. Conecte también los terminales AUDIO OUT del reproductor de discos LD al reproductor para reproducir todas las fuentes. Para más información, consulte el manual de instrucciones del reproductor de discos LD.

- 1 Gire FUNCTION para seleccionar VIDEO 1 (VIDEO 2 o VIDEO3) y presione repetidamente el botón DIGITAL/ANALOG/BAND hasta que se visualice "DIGITAL".



El reproductor de discos DVD (LD) conectado a los terminales OPTICAL (COAXIAL) DIGITAL IN se seleccionará como fuente.

- 2 Inicie la reproducción del disco DVD (LD) grabado con Dolby Digital Surround o DTS surround.

- El indicador "DOLBY DIGITAL" se encenderá en el visualizador cuando el tren de bits de Dolby Digital surround alcance la unidad.



Para seleccionar el modo Dolby Digital surround de acuerdo con sus altavoces, consulte "SELECCION DE DOLBY SURROUND" de la página 15.

- El indicador "dts" se encenderá en el visualizador cuando el tren de bits de DTS surround alcance la unidad.

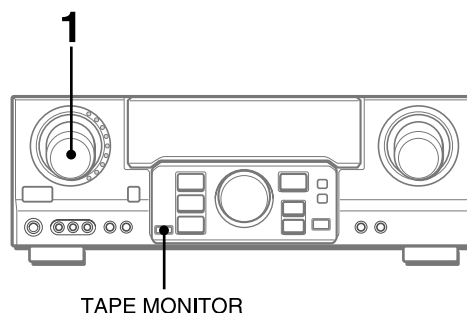


Para seleccionar el modo DTS surround de acuerdo con sus altavoces, consulte "SELECCION DE DTS SURROUND" de la página 19.

NOTA

- Cuando haya seleccionado TAPE MONITOR y el indicador TAPE MONITOR se haya encendido en rojo, no podrá seleccionar "DIGITAL".
- Cuando conecte unos auriculares, el modo Dolby Digital surround y DTS surround cambiará automáticamente a "2chSTEREO" y en el visualizador se encenderá el indicador "2CH DOWNMIX". Incluso si presiona el botón SURROUND mientras los auriculares se encuentran enchufados, no podrá cambiar el modo.
- Esta unidad admite señales de entrada del tren de bits de sonido perimétrico Dolby Digital, DTS y PCM lineal cuya frecuencia de muestreo sea de 32 kHz, 44,1 kHz, 48 kHz y 96 kHz.
- Al conectar algunos reproductores de discos DVD al receptor a través de los terminales DIGITAL IN, podrá escucharse ruido en la operación del DVD: por ejemplo, durante la búsqueda en un disco u omisión de un capítulo.

GRABACION DE UNA FUENTE DE AUDIO



- 1 Seleccione la fuente de programas que desee grabar.

Gire FUNCTION.

- 2 Ponga el deck de cassetes o el grabador de minidiscos en el modo de grabación.

- 3 Ponga en reproducción la fuente de programas seleccionada.

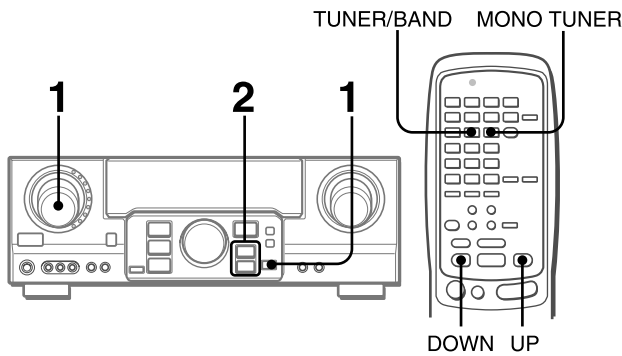
Para escuchar el sonido grabado durante la grabación (cuando el deck de cassetes conectado posee un sistema de tres cabezas)

Presione el botón TAPE MONITOR. En el visualizador aparecerá "TAPE ON" durante cuatro segundos, y después volverá a aparecer el nombre de la fuente seleccionada en el paso 1. Para cancelar la escucha, vuelva a presionar el botón para que aparezca "TAPE OFF".

NOTA

- Ningún sistema de control del sonido tendrá efecto en la grabación (consulte la página 8).
- El sonido de entrada a través de los terminales DIGITAL IN no podrá grabarse. Para grabar el sonido procedente de un reproductor de discos DVD, CD, MD o LD, conecte los terminales AUDIO OUT a los terminales AUDIO IN correspondientes del receptor. El sonido se grabará en el formato de 2 canales estéreo.
- Cuando grabe fuentes de audio mediante la grabadora de MD conectada a los terminales VIDEO 1/DVD/MD AUDIO OUT, la fuente de vídeo seleccionada (consulte la página 11) deberá ser V2 o V3. No es posible grabar mientras V1 (VIDEO 1) esté seleccionado y mostrado en el visualizador.
- El sonido procedente de la grabadora de cassetes conectada a los terminales TAPE MONITOR IN no podrá grabarse.

SINTONIA MANUAL



1 Gire **FUNCTION** para seleccionar la función **TUNER** y presione el botón **DIGITAL/ANALOG/BAND** varias veces para seleccionar la banda que desee.



La visualización cambiará a la indicación de la frecuencia después de haber mostrado la banda y la fuente de vídeo (V1, V2, o V3) durante dos segundos.

2 Presione el botón **^** o **v** para seleccionar una emisora.

Cada vez que presione el botón, la frecuencia cambiará. Cuando se reciba una emisora, se visualizará "TUNE" durante dos segundos. Durante la recepción de FM estéreo, se visualizará ((Ⓜ)).



NOTA

Para sintonizar emisoras con el controlador remoto, memorice primero las emisoras (consulte la página siguiente). Puede seleccionar la banda deseada con el botón **TUNER/BAND** y sintonizar las emisoras memorizadas presionando el botón **UP** o **DOWN**.

Para buscar una emisora rápidamente desde la unidad principal (búsqueda automática)

Mantenga presionado el botón **^** o **v** hasta que el sintonizador comience a buscar una emisora. Una vez sintonizada alguna emisora, la búsqueda se detiene. Para parar manualmente la búsqueda automática, presione el botón **^** o **v**.

- La búsqueda automática es posible que no se pare en emisoras de señal muy débil.

Cuando un programa de radiodifusión de FM estéreo contenga ruido

Presione el botón **MONO TUNER** del controlador remoto para que en el visualizador aparezca "MONO". El ruido se reducirá, pero la recepción será monoaural.

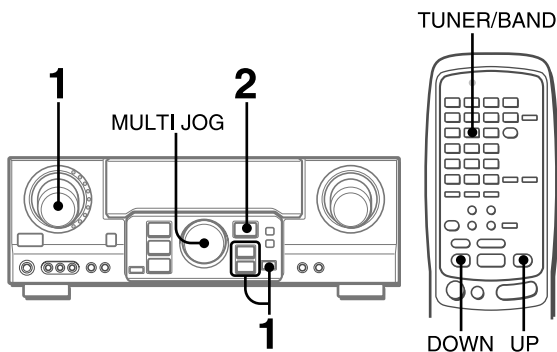


Para restaurar la recepción estéreo, presione el botón para que aparezca "STEREO".

Cuando la recepción contenga ruido de interferencia
Aleje la unidad de otros aparatos eléctricos, especialmente dispositivos de audio digitales, o desconecte la alimentación del aparato que esté generando las señales de ruido.

Para cambiar el intervalo de sintonía de AM
El ajuste inicial del intervalo de sintonía de AM es de 10 kHz/paso. Para utilizar esta unidad donde el sistema de asignación de frecuencias sea de 9 kHz/paso, cambie el intervalo de sintonía. Mantenga presionado el botón **DIGITAL/ANALOG/BAND** y presione el botón **POWER**. Para volver al intervalo anterior, repita este procedimiento.

MEMORIZACION DE EMISORAS



La unidad podrá almacenar un total de 32 emisoras. Cuando almacene una emisora, se le asignará un número de memorización. Utilice el número de memorización para sintonizar directamente la emisora almacenada.

1 Gire FUNCTION para seleccionar la función TUNER y presione repetidamente el botón DIGITAL/ANALOG/BAND para seleccionar la banda que desee. A continuación, presione el botón \wedge o \vee para seleccionar una emisora.

2 Presione el botón ENTER para almacenar la emisora.

Un número preajustado asignado a la emisora, que comienza a partir del 1 en orden consecutivo para cada banda, aparece en el visualizador durante dos segundos.



3 Repita los pasos 1 y 2.

No se almacenarán más emisoras y aparecerá "FULL" si ya se ha almacenado un total de 32 emisoras para todas las bandas.

NOTA

Cuando cambie el intervalo de sintonía de AM, se borrarán todas las emisoras memorizadas. En este caso tendrá que volver a memorizar las emisoras.

SINTONIZACIÓN DE NÚMEROS MEMORIZADOS

1 Gire FUNCTION para seleccionar la función TUNER y presione repetidamente el botón DIGITAL/ANALOG/BAND para seleccionar una banda.

2 Gire MULTI JOG para seleccionar un número de memorización.

Para borrar una emisora memorizada

Seleccione el número de memorización de la emisora que desee borrar. A continuación, presione el botón ENTER y vuelva a presionarlo antes de cuatro segundos.

Se reducen en uno los números de memorización de todas las demás emisoras de la banda que tengan números más altos.

Al utilizar el controlador remoto

1 Presione el botón TUNER/BAND para seleccionar la banda deseada.

2 Presione el botón UP o DOWN para seleccionar un número de memorización.

Esta unidad dispone de un decodificador Dolby Pro Logic, de un decodificador Dolby Digital y decodificador DTS.

Los altavoces central y perimétricos (estándar) aseguran sonido de cine a plena escala para el hogar. Cuando reproduzca discos o software de vídeo grabados con Dolby Pro Logic, Dolby Digital surround o DTS surround, un sonido sorprendentemente realista rodeará al oyente para crear un nuevo nivel de entretenimiento audiovisual.

El control independiente de los cinco canales permitirá al oyente disfrutar del mismo tipo de reproducción de sonido que el experimentado en salas de cine. Las voces se reproducirán en el campo acústico delantero y central, mientras que los sonidos ambientales como el de automóviles o multitudes se reproducirá por todos los lados del oyente y le ofrecen una experiencia audiovisual increíblemente realista. Lea cuidadosamente lo siguiente para "sintonizar" la salida del sistema de acuerdo con las características de su espacio de escucha.

Compruebe lo siguiente:

- **Antes de disfrutar de sonido DOLBY surround o DTS surround, ajuste los niveles de sonido de los altavoces al equilibrio apropiado (consulte la página 16).**
- Cerciórese de que los altavoces estén adecuadamente conectados y ubicados (consulte las páginas 4 y 5).
- Cerciórese de que el televisor y la unidad de vídeo estén adecuadamente conectados (consulte la página 3).
- Cerciórese de que el disco, la videocineta, etc., sean del sistema Dolby Pro Logic, Dolby Digital surround o DTS surround.

SELECCION DE DOLBY SURROUND

Los modos y ajustes óptimos de Dolby Digital surround y Dolby Pro Logic dependen del tipo y la ubicación de los altavoces. Se recomienda el uso de altavoces AIWA opcionales para todos los canales, por ejemplo, el sistema de altavoces SX-AVR2900. Compruebe su tipo y ubicación actual de los altavoces y seleccione el modo recomendado para su caso.

Modo recomendado

[Dolby Digital surround]

	Altavoz central		
	Más grande	Más pequeño	Sin altavoz
Altavoces perimétricos (altavoces traseros)	DOLBY D-WIDE	DOLBY D-NORMAL	PHANTOM
Sin altavoces perimétricos	3 STEREO-WIDE	3 STEREO-NORMAL	2chSTEREO

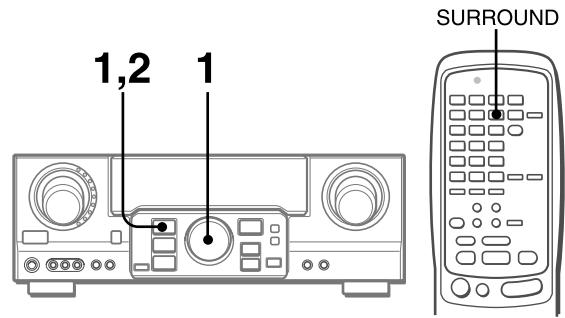
[Dolby Pro logic]

	Altavoz central		
	Más grande	Más pequeño	Sin altavoz
Altavoces perimétricos (altavoces traseros)	PRO LOGIC-WIDE	PRO LOGIC-NORMAL	PHANTOM
Sin altavoces perimétricos	3 STEREO-WIDE	3 STEREO-NORMAL	-

Modo PHANTOM: Seleccione este modo cuando no haya conectado un altavoz central. Todas las señales del canal central se redistribuirán a los altavoces de los canales izquierdo y derecho.

Modo 3 STEREO: Seleccione este modo cuando no haya conectado altavoces perimétricos.

PARA SELECCIONAR UN MODO DOLBY SURROUND



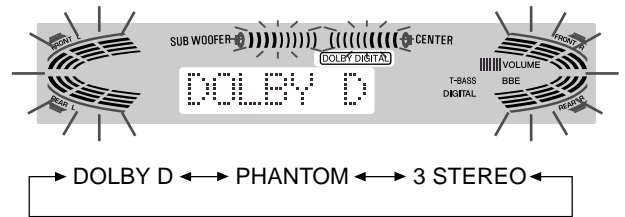
Preparativos

- Cuando seleccione un modo Dolby Digital Surround, elija la función VIDEO 1 (DIGITAL), VIDEO 2 (DIGITAL) o VIDEO 3 (DIGITAL) (consulte la página 12) y ponga en reproducción un disco grabado con Dolby Digital Surround antes de seleccionar el modo.
- Cuando haya seleccionado el modo Dolby Pro Logic, elija cualquier función excepto VIDEO 1 (DIGITAL), VIDEO 2 (DIGITAL) y VIDEO 3 (DIGITAL).

1 Presione el botón SURROUND y gire MULTI JOG para seleccionar el modo apropiado.

El nombre del modo seleccionado aparece en el visualizador.

[Dolby Digital surround]

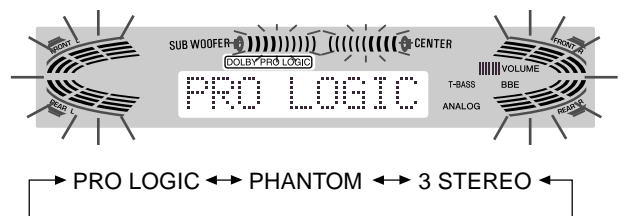


Para seleccionar el modo 2chSTEREO, presione repetidamente el botón SURROUND hasta que aparezca "2chSTEREO".

NOTA

Seleccione el modo Dolby Digital Surround mientras reproduce una fuente grabada en Dolby Digital Surround.

[Dolby Pro Logic]



2 Mantenga presionado el botón SURROUND hasta que aparezca el modo de altavoz central deseado. (Excepto los modos 2chSTEREO y PHANTOM.)

Aparecerán "NORMAL" y "WIDE", uno tras otro.

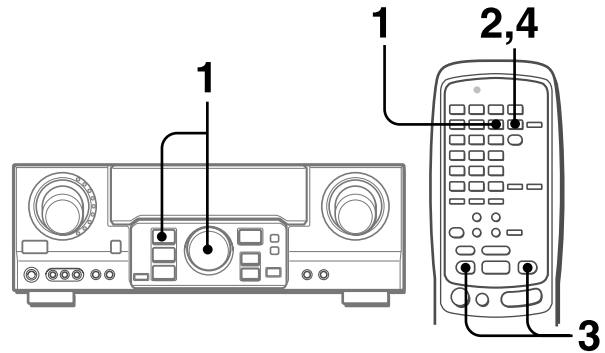
Al emplear el controlador remoto

Presione el botón SURROUND varias veces para seleccionar el modo, y manténgalo presionado para seleccionar el modo de altavoz central.

NOTA

- Dependiendo de la fuente de sonido, o de las condiciones de escucha, es posible que no obtenga el efecto perimétrico incluso aunque haya seleccionado Dolby Digital surround o Dolby Pro Logic.
- El efecto completo de Dolby Digital surround o Dolby Pro Logic no podrá obtenerlo cuando utilice software grabado sin el sistema Dolby Digital surround o Dolby Pro Logic. En este caso, utilice el sistema perimétrico del DSP en su lugar (consulte la página 10).
- Cuando enchufe los auriculares:
 - El sistema Dolby Pro Logic se cancelará automáticamente.
 - El modo Dolby Digital surround cambiará automáticamente a "2chSTEREO".
- Cuando enchufe los auriculares:
 - No podrá activar el modo Dolby Pro Logic.
 - No es posible cambiar el modo Dolby Digital surround.
- El sistema Dolby Pro Logic se cancelará automáticamente y no podrá activarse si la señal de entrada es de 96 kHz.

AJUSTE DEL EQUILIBRIO DEL NIVEL ENTRE ALTAVOCES



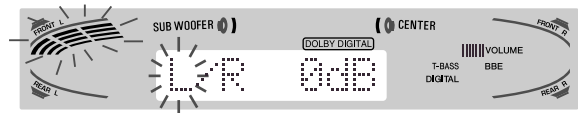
Esta unidad dispone de un generador de señal de prueba incorporado denominado secuenciador de ruido para facilitar el ajuste del equilibrio de los cinco canales.

El secuenciador da salida a una señal de ruido que "viaja" de canal a canal para permitir el ajuste sencillo del nivel del sonido a fin de obtener la misma sonoridad aparente desde cada canal en su posición de escucha.

1 Seleccione el modo Dolby Digital surround (excepto "2chSTEREO") o Dolby Pro Logic de acuerdo con el tipo y la ubicación de sus altavoces.

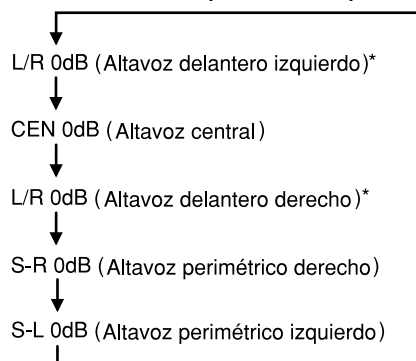
(Consulte la página 15.)

2 Presione el botón MANUAL SELECT del controlador remoto y manténgalo presionado durante unos dos segundos hasta que comience a parpadear "L" de "L/R 0dB".

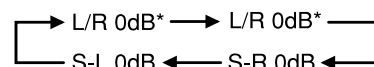


A cada canal se enviará una señal de ruido de la forma siguiente:

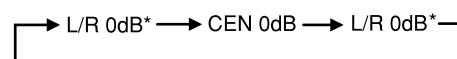
Modo DOLBY D (PRO LOGIC) NORMAL o WIDE



Modo PHANTOM



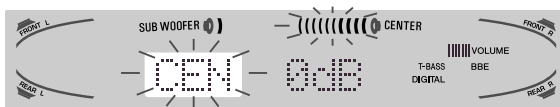
Modo 3 STEREO NORMAL o WIDE



* "L" o "R" parpadeará para indicar uno de los altavoces delanteros a través del que sale señal de ruido.

3 Ajuste el nivel del sonido de los altavoces central y perimétricos.

Mientras parpadea "CEN," "S-L" o "S-R" en el visualizador, presione el botón UP o DOWN del controlador remoto para que el nivel de sonido de los altavoces central o perimétricos coincida con el de los altavoces delanteros.



El equilibrio de los altavoces delanteros también podrá ajustarse mientras esté visualizándose "L/R".

NOTA

No es posible utilizar el botón \wedge o \vee de la unidad principal.

4 Para parar la señal de ruido, vuelva a presionar el botón MANUAL SELECT.

NOTA

Cuando ajuste el equilibrio de nivel de los altavoces de Dolby Digital surround, también cambiará el de Dolby Pro Logic, y viceversa.

Información sobre los canales

Los altavoces izquierdo y derecho crean el efecto estéreo.

El altavoz central ayuda a ubicar con precisión el sonido sobre un campo acústico amplio.

Los altavoces perimétricos montados atrás realzan la "profundidad" del campo acústico.

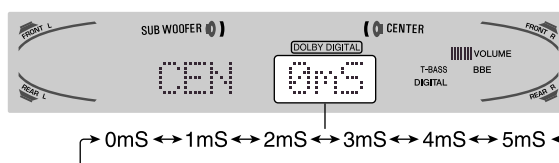
Para cambiar el tiempo de retardo de los altavoces perimétricos o del central cuando utilice el modo Dolby Digital surround o Dolby Pro Logic

Cuando haya activado Dolby Digital surround (excepto "2chSTEREO") o Dolby Pro Logic, presione repetidamente el botón MANUAL SELECT del controlador remoto para que se visualice "CEN 0mS" o "SUR 5mS" (SUR 20mS). A continuación, dentro de 4 segundos, presione el botón \wedge (UP) o \vee (DOWN) o gire MULTI JOG. El tiempo de demora cambiará tal como se muestra a continuación.

[Altavoz central]

Ajuste el tiempo de retardo de forma que las líneas (voz de una película) se oigan claramente y de forma natural.

El tiempo de retardo del altavoz central está inicialmente ajustado a 0 ms (milisegundos). Podrá ajustarse entre 0 y 5 ms en pasos de 1 ms.



[Altavoces perimétricos]

Ajuste el tiempo de retardo a su gusto.

Dolby Digital Surround

El tiempo de retardo de los altavoces está inicialmente ajustado a 5 ms. Podrán cambiarse entre 0 y 15 ms en pasos de 5 ms.

Dolby Pro Logic

El tiempo de retardo del altavoz central está inicialmente ajustado a 20 ms. Podrá ajustarse entre 15 y 30 ms en pasos de 5 ms.

NOTA

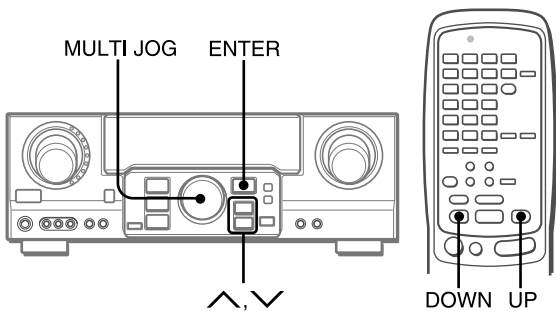
- Cuando ajuste el tiempo de retardo de los altavoces perimétricos o del central para el modo Dolby Digital surround, también cambiará el del modo Dolby Pro Logic, y viceversa.
- Cuando ajuste el tiempo de retardo de los altavoces perimétricos en el modo Dolby Digital surround a 0 ms (5 ms, 10 ms, 15 ms), el del modo Dolby Pro Logic se ajustará a 15 ms (20 ms, 25 ms, o 30 ms), y viceversa.

Para ajustar el equilibrio del nivel de los altavoces mientras escuche una fuente

El equilibrio del nivel de los altavoces podrá cambiarse después de haberlo ajustado con el secuenciador de sonido. El equilibrio podrá cambiarse cada vez que se active el sistema Dolby Digital surround o Dolby Pro Logic.

- 1 Ponga en reproducción un disco o software de vídeo grabado con Dolby Pro Logic o Dolby Digital surround.
- 2 Presione repetidamente el botón MANUAL SELECT del controlador remoto para que aparezca "L/R," "CEN," "S-L" o "S-R" en el visualizador.
- 3 Presione el botón \wedge (UP) o \vee (DOWN) o gire MULTI JOG mientras el nombre del altavoz que desee ajustar se encuentre en el visualizador.

AJUSTE DEL SONIDO DOLBY DIGITAL SURROUND



AJUSTE DEL EFECTO DE SONIDO DE BAJA FRECUENCIA (LFE)

Un disco grabado con Dolby Digital surround contiene señales especiales denominadas LFE para reforzar el efecto del sonido de baja frecuencia. Las señales LFE se graban en ciertas partes particulares del disco y salen a través del altavoz de subgraves para reproducir un sonido bajo sorprendentemente potente. El nivel del sonido de las señales LFE podrá ajustarse de acuerdo con los altavoces conectados mientras esté activado el sistema Dolby Digital surround.

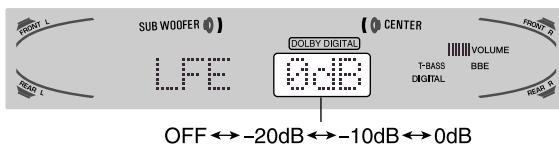
Preparativos

- Al conectar un altavoz de subgraves, seleccione "SUBW ON" (consulte la página 5).
- Reproduzca un disco grabado en Dolby Digital Surround.

1 Mantenga presionado el botón \wedge (UP) o \vee (DOWN) hasta que se visualice "LFE".

2 Presione repetidamente el botón \wedge (UP) o \vee (DOWN) o gire MULTIJOG para ajustar el nivel LFE.

La unidad está inicialmente ajustada a 0 dB (máximo) y podrá reajustarse como se indica a continuación.



Al seleccionar "SUBW OFF", las señales LFE se redistribuyen entre los demás altavoces.

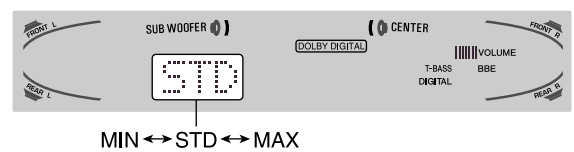
AJUSTE DE LA GAMA DINÁMICA

La gama dinámica del sonido Dolby Digital surround podrá ajustarse. La unidad está inicialmente ajustada al modo "STD" (estándar).

1 Con el sonido perimétrico Dolby Digital activado, presione el botón ENTER y manténgalo presionado hasta que "MID NIGHT THEATER" se desplace por el visualizador.



2 Presione el botón \wedge (UP) o \vee (DOWN) o gire MULTI JOG para seleccionar el modo "MAX", "STD" o "MIN".



[MIN]

Usted podrá disfrutar de sonido de gama dinámica completa a igual que en una sala de cine.

[STD]

Posición original, para reproducir en su hogar, recomendado para productores de software.

[MAX]

Seleccione este modo cuando desee reproducir a bajo volumen. Éste es el modo recomendado para reproducir por la noche.

SELECCION DE DTS SURROUND

Los modos y ajustes óptimos de DTS surround dependen del tipo y la ubicación de los altavoces. Se recomienda el uso de altavoces Aiwa opcionales para todos los canales, por ejemplo, el sistema de altavoces SX-AVR2900.

Compruebe su tipo y ubicación actual de los altavoces y seleccione el modo recomendado para su caso.

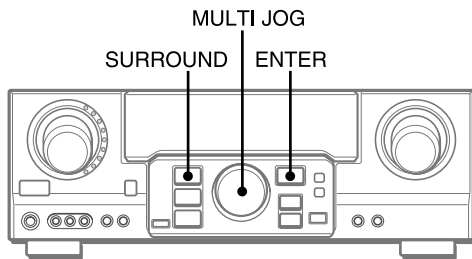
Modo recomendado

	Altavoz central	Sin altavoz central
Altavoces perimétricos (altavoces traseros)	5.1ch	4 ch
Sin altavoces perimétricos	3 STEREO	2chSTEREO

Modo 4 ch: Seleccione este modo cuando no haya conectado un altavoz central. Todas las señales del canal central se redistribuirán a los altavoces de los canales izquierdo y derecho.

Modo 3 STEREO: Seleccione este modo cuando no haya conectado altavoces perimétricos.

PARA SELECCIONAR UN MODO DTS SURROUND

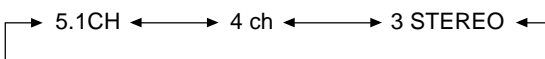


Preparativos

Al seleccionar un sonido perimétrico DTS, seleccione la función de DIGITAL y reproduzca un disco grabado en dicho sonido antes de seleccionar el modo.

1 Presione el botón SURROUND y gire MULTI JOG para seleccionar el modo apropiado.

El nombre del modo seleccionado aparece en el visualizador.



Para seleccionar el modo 2chSTEREO, presione repetidamente el botón SURROUND hasta que aparezca "2chSTEREO".

Antes de reproducir un disco, ajuste el balance de nivel de los altavoces en el modo Dolby Digital o Dolby Pro Logic como se describe en la página 16.

Para ajustar el balance mientras escucha la fuente, consulte la columna derecha de la página 17 y realice los pasos 2 y 3.

El tiempo de retardo de los altavoces central y perimétricos no puede ajustarse en el modo de sonido perimétrico DTS.

NOTA

- Dependiendo de la fuente de sonido, o de las condiciones de escucha, es posible que no obtenga el efecto perimétrico incluso aunque haya seleccionado DTS surround.
- El efecto completo de DTS surround no podrá obtenerlo cuando utilice software grabado sin el sistema DTS surround. En este caso, utilice el sistema perimétrico del DSP en su lugar (consulte la página 10).
- Cuando enchufe los auriculares, el modo DTS surround cambiará automáticamente a "2chSTEREO".
- Cuando enchufe los auriculares, no es posible cambiar el modo DTS surround.

PARA ESCUCHAR EL SONIDO DTS ORIGINAL

Cuando DTS aparezca en el visualizador, todos los ajustes de sonido podrán cancelarse para el sonido DTS.

1 Con el sonido perimétrico DTS activado, presione el botón ENTER y manténgalo presionado hasta que "BYPASS OFF" se desplace por el visualizador.



2 Presione nuevamente el botón ENTER para que aparezca "BYPASS ON".



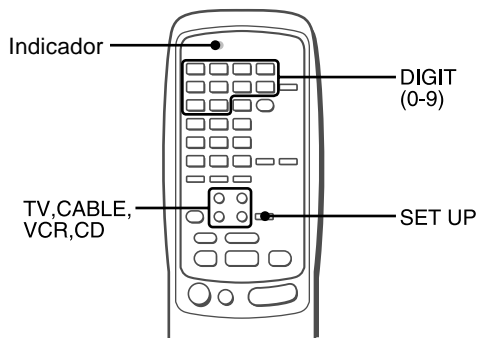
Para restaurar los ajustes de sonido

Repita los pasos 1 y 2 para que aparezca "BYPASS OFF".

OPERACION DE UN TELEVISOR, SISTEMA DE CABLEVISION, VIDEOGRABADORA, Y REPRODUCTOR DE DISCOS COMPACTOS

Con este controlador remoto, podrá gobernar un televisor, un sistema de cablevisión, una videocámara, y un reproductor de discos compactos.

PARA INTRODUCIR UN CODIGO DE IDENTIFICACION DE UN EQUIPO EXTERNO



Antes de intentar controlar estos equipos, cerciórese de asignar el código de identificación de los mismos al controlador remoto de la misma de la forma siguiente.

1 Confirme el número de código del equipo externo.

Consulte la lista de códigos de identificación del "APÉNDICE" de este manual.

2 Presione el botón TV, CABLE, VCR, o CD del área MODE SELECT.

NOTA

Al introducir el código de identificación de un receptor DSS de satélites, presione el botón CABLE.

3 Mantenga presionado el botón SET UP durante unos 3 segundos.

Compruebe si el indicador parpadea dos veces manteniendo presionado el botón SET UP.

4 Presione los cuatro botones DIGIT correspondientes al código de identificación del equipo externo.

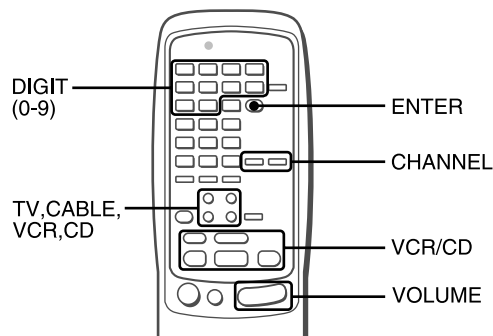
Por ejemplo, si su reproductor de discos compactos es AIWA, el código de identificación requerido es 0124 o 0157. En este caso, presione los botones DIGIT en el orden de "0", "1", "2", y "4" (o "0", "1", "5", y "7").

Después de presionar el cuarto botón DIGIT, el indicador parpadea dos veces para indicar que el código de identificación es correcto y que se ha almacenado en el controlador remoto.

Para confirmar el código de identificación almacenado Usted podrá comprobar el código de identificación almacenado contando el número que parpadea el Indicador.

- 1 **Presione el botón TV, CABLE, VCR, o CD.**
Por ejemplo, para comprobar el código almacenado para un reproductor de discos compactos, presione CD.
- 2 **Mantenga presionado el botón SET UP durante unos 3 segundos.**
- 3 **Presione "9", "9", y "0".**
- 4 **Presione "1", y cuente los parpadeos del indicador.**
Por ejemplo, en caso de que el código de identificación almacenado sea "0157".
El indicador no parpadea.
- 5 **Presione "2", y cuente los parpadeos del indicador.**
El indicador parpadeará una vez.
- 6 **Presione "3", y cuente los parpadeos del indicador.**
El indicador parpadeará cinco veces.
- 7 **Presione "4", y cuente los parpadeos del indicador.**
El indicador parpadeará siete veces.

PARA CONTROLAR UN TELEVISOR, SISTEMA DE CABLEVISION, VIDEOGRABADORA, Y REPRODUCTOR DE DISCOS COMPACTOS



1 Presione cualquier botón del área MODE SELECT (TV, CABLE, VCR, o CD).

El controlador remoto habrá quedado listo para gobernar el equipo del modo seleccionado.

2 Presione uno de los botones indicados arriba.

Con respecto a la utilización de los botones 0 – 9 y ENTER, consulte el manual de instrucciones suministrado con la unidad que desee controlar.

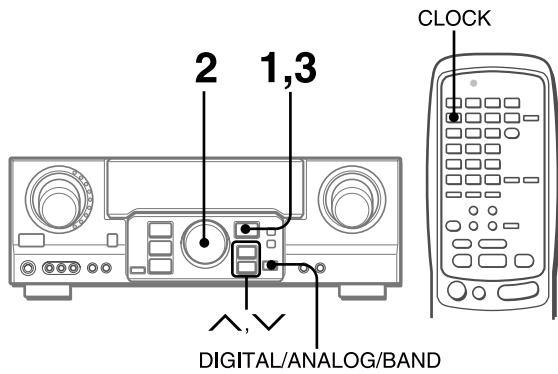
Los demás botones indicados arriba poseen la misma función que la de los botones de la unidad que desea controlar.

NOTA

- Después de haber cambiado las pilas del controlador remoto, vuelva a introducir el código de identificación del equipo externo.
- Si hay muchos códigos de identificación para un equipo externo en la lista de "APÉNDICE", pruebe a introducir uno tras otro hasta encontrar el que permita controlar tal equipo.



PUESTA EN HORA DEL RELOJ



Cuando conecte por primera vez el cable de alimentación de CA, la indicación del reloj parpadeará.

Ajuste la hora de la forma siguiente con la alimentación desconectada.

1 Presione el botón ENTER.

El visualizador se vuelve un poco más brillante.



2 Antes de 4 segundos, gire MULTI JOG para determinar la hora y los minutos.

El tiempo avanza al girar a la derecha y retrocede al girar a la izquierda.

También puede utilizar el botón \wedge o \vee de la unidad principal. Presione el botón varias veces. Para cambiar la hora rápidamente en intervalos de 10 minutos, manténgalo presionado.

3 Presione el botón ENTER.

El reloj comienza desde el segundo 00.

NOTA

Al ajustar el reloj por primera vez después de adquirir la unidad

El contenido del visualizador se borrará.

Esto se debe a que el modo de ahorro de energía de la unidad está activado. No se trata de un fallo de funcionamiento.

El modo de ahorro de energía se puede cancelar. Consulte los detalles en la página 7.

Para corregir la hora actual

Presione el botón POWER para desconectar la alimentación de la unidad. Realice los pasos 1 a 3 anteriores.

Para hacer que se visualice la hora actual

Presione el botón CLOCK del controlador remoto. El reloj se visualizará durante 4 segundos.

Cuando la unidad se encuentra en el modo de ahorro de energía, al presionar el botón ENTER en la unidad también se mostrará la hora actual durante 4 segundos.

Para cambiar al modo de 24 horas

Muestre la hora actual y presione el botón DIGITAL/ANALOG/BAND de la unidad antes de 4 segundos.

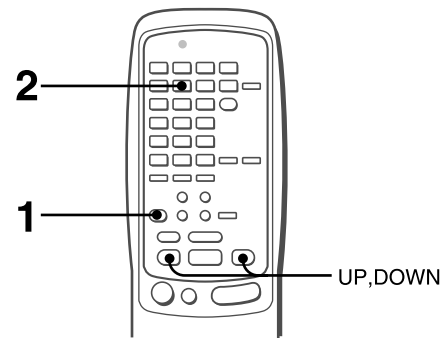
Para volver al modo de 12 horas, repita el mismo procedimiento. En el sistema de 12 horas, "AM 12:00" indica medianoche y "PM 12:00" mediodía.

Si la indicación del reloj parpadea mientras la alimentación esté desconectada

Esto se deberá a una interrupción del suministro eléctrico. Usted tendrá que volver a poner en hora el reloj.

Si el suministro eléctrico se interrumpe durante más de 24 horas, todos los ajustes almacenados en la memoria después de haber adquirido la unidad tendrán que volver a memorizarse.

PROGRAMACION DEL TEMPORIZADOR CRONODESCONECTADOR



Usted podrá hacer que la alimentación de la unidad se desconecte automáticamente después del tiempo especificado.

1 Presione el botón AIWA RECEIVER.

2 Presione el botón SLEEP.



La alimentación de la unidad se desconectará después de unos 60 minutos.

Para especificar el tiempo hasta que se desconecte la alimentación

Presione repetidamente el botón UP or DOWN antes de cuatro segundos de haber realizado el paso 2.

Cada vez que presione el botón, el tiempo cambiará entre 5 y 240 minutos en pasos de 5 minutos.



Tiempo especificado

Para comprobar el tiempo restante hasta que se desconecte la alimentación

Presione una vez el botón SLEEP. El tiempo restante se visualizará durante cuatro segundos.

Para cancelar el temporizador cronodesconectador

Presione el botón SLEEP dos veces para que aparezca "SLEEP" en el visualizador.

ESPECIFICACIONES

Sección del sintonizador de FM

Gama de sintonía	87,5 a 108 MHz
Sensibilidad útil	13,2 dBf
Terminales de antena	75 ohmios (desequilibrados)

Sección del sintonizador de AM

Gama de sintonía	530 a 1710 kHz (intervalo de 10 kHz), 531 a 1602 kHz (intervalo de 9 kHz)
Sensibilidad útil	350 μ V/m
Antena	Antena de cuadro

Sección del amplificador

Salida de potencia	[Modo estéreo]	
	Altavoces delanteros	
	170 vatios por canal como mín., valor eficaz, a 8 ohmios, de 40 Hz a 20 kHz, con no más del 0,9% de distorsión armónica total	
	[Modo Dolby Digital Surround o Dolby Pro Logic]	
	Altavoces delanteros	
	120 vatios por canal como mín., valor eficaz, a 8 ohmios, de 40 Hz a 20 kHz, con no más del 0,9% de distorsión armónica total	
	Altavoces traseros (perimétricos)	
	120 vatios por canal como mín., valor eficaz, a 8 ohmios, 1 kHz, con no más del 0,9% de distorsión armónica total	
	Altavoz central	
	120 vatios como mín., valor eficaz, a 8 ohmios, 1 kHz, con no más del 0,9% de distorsión armónica total	
Distorsión armónica total	0,08 % (85 W, 1 kHz, 8ohms, Altavoces delanteros)	
	Entradas	AUDIO IN
		PHONO: 2,5 mV, ajustable (47 kiloohmios)
		CD, VIDEO 1/DVD/MD, VIDEO 2/LD/TV, VIDEO 3: 300 mV, ajustable (47 kiloohmios)
		TAPE MONITOR: 350 mV, ajustable (47 kiloohmios)
		AUX: 230 mV, ajustable (47 kiloohmios)
		DIGITAL IN
		COAXIAL (VIDEO 2):
		OPTICAL (VIDEO 1):
		OPTICAL (VIDEO 3):
acepta señales PCM lineales y tren de bits de Dolby Digital y DTS Surround (32 kHz, 44,1 kHz, 48 kHz y 96 kHz)		
VIDEO IN: 1 Vp-p (75 ohmios)		

Salidas

AUDIO OUT (REC OUT): 300 mV (1 kiloohmio)
 VIDEO OUT (MONITOR): 1 Vp-p (75 ohmios)
 SUB WOOFER: 5,0 V
 FRONT SPEAKERS IMP: 8 Ω /4 Ω seleccionable (altavoces delanteros A y B):

Con el selector SPEAKER IMPEDANCE SELECTOR en 4 Ω , aceptará altavoces de 4 ohmios.

Con el selector SPEAKER IMPEDANCE SELECTOR en 8 Ω , aceptará altavoces de 8 ohmios o más.

SURROUND SPEAKERS IMP: 8 Ω (altavoces perimétricos): acepta altavoces de 8 ohmios o más
 CENTER SPEAKER IMP: 8 Ω /4 Ω seleccionable

Con el selector SPEAKER IMPEDANCE SELECTOR en 4 Ω , aceptará altavoces de 4 ohmios.

Con el selector SPEAKER IMPEDANCE SELECTOR en 8 Ω , aceptará altavoces de 8 ohmios o más.

PHONES (toma estéreo): Acepta altavoces de 32 ohmios o más -20 dB

Silenciamiento

Sección general

Alimentación	120 V CA, 60 Hz
Consumo	270 W
Consumo en el modo de espera	ECO OFF: 55 W ECO ON: 1,4 W
Dimensiones (AN \times AL \times Prf)	430 \times 155 \times 402 mm (17 \times 6 $\frac{1}{8}$ \times 15 $\frac{7}{8}$ pulgadas)
Peso	12,5 kg (27 lb 9 oz.)

Las especificaciones y el aspecto externo están sujetos a cambio sin previo aviso.

BBE SYSTEM

Las siglas "BBE" y el "símbolo BBE" son marcas comerciales de BBE Sound Inc.

Con licencia de BBE Sound Inc.

- Fabricados con licencia de Dolby Laboratories. "Dolby", "Pro Logic", y el símbolo de la doble D son marcas comerciales de Dolby Laboratories. Trabajos no publicados confidenciales. ©1992-1997 Dolby Laboratories, Inc. Reservados todos los derechos.
- Fabricado bajo licencia de Digital Theater Systems, Ino. Patente de EE.UU. N° 5.451.942 y otras patentes mundiales emitidas y pendientes. "DTS" y "DTS Digital Surround" son marcas comerciales de Digital Theater Systems, Inc. ©1996 Digital Theater systems, Ino. Todos los Derechos Reservados.

CUIDADOS Y MANTENIMIENTO

El mantenimiento y el cuidado ocasionales de la unidad serán necesarios para sacar el máximo partido de ella.

Para limpiar el exterior

Utilice un paño suave y seco.

Si la superficie está extremadamente sucia, utilice un paño ligeramente humedecido en una solución poco concentrada de detergente. No utilice disolventes fuertes, como alcohol, bencina, o diluidor de pintura ya que podría dañar el acabado de la unidad.

GUIA PARA LA SOLUCION DE PROBLEMAS

Si la unidad no funciona como se describe en este Manual de instrucciones, compruebe la guía siguiente.

SECCION GENERAL

No hay sonido.

- ¿Está adecuadamente conectado el cable de alimentación de CA?
- ¿Hay alguna conexión incorrecta? (→ páginas 3 y 4)
- Es posible que los terminales de los altavoces estén cortocircuitados.
→ Desconecte el cable de alimentación de CA y corrija las conexiones de los altavoces.
- ¿Ha presionado un botón de función incorrecto?
- ¿Ha presionado el botón TAPE MONITOR?
- ¿Ha ajustado correctamente los botones FRONT SPEAKERS A y B? (→ página 7)

El sonido solamente sale a través de un altavoz.

- ¿Está adecuadamente ajustado BALANCE?
- ¿Está desconectado el otro altavoz?

El sonido se oye con un volumen muy bajo.

- ¿Ha presionado el botón MUTING?

La visualización es errónea o se produjo un mal funcionamiento.

- Reponga la unidad como se indica más abajo.

SECCION DEL SINTONIZADOR

Hay estáticos constantes en forma de onda.

- ¿Está adecuadamente conectada la antena? (→ página 5)
- ¿Es débil la señal de FM?
→ Conecte una antena exterior.

La recepción contiene interferencias de ruido o el sonido se oye distorsionado.

- ¿Está el sistema captando ruido externo o distorsión de múltiples trayectorias?
→ Cambie la orientación de la antena.
→ Aleje la unidad de otros aparatos eléctricos.

Reposición

Si hay alguna visualización anormal o se produce un mal funcionamiento, reponga la unidad de la forma siguiente.

- 1 Presione el botón POWER para desconectar la alimentación.
- 2 Presione el botón POWER manteniendo pulsado el botón ENTER. Todos los ajustes almacenados en la memoria después de haber adquirido la unidad se borrarán.

Si no puede desconectar la alimentación en el paso 1 debido a algún mal funcionamiento, reponga la unidad desconectando el cable de alimentación de CA, y después realice el paso 2.

INDICE DE LAS PARTES

Las instrucciones sobre cada parte de la unidad o del controlador remoto se indican en las páginas mostradas a continuación.

(en orden alfabético)

Parts	Pages
AIWA RECEIVER	6, 21
AUX	11
BALANCE	8
BBE	8
CD	11, 20
CHANNEL	20
CLOCK	21
DIGITAL/ANALOG/BAND	11-14, 21
DSP	10
ECO	7
ENTER	6, 7, 9, 11, 14, 18-21, 23
FRONT SPEAKERS A, B	7
FUNCTION	6, 11-14
GEQ	9
MANUAL SELECT (TEST)	5, 10, 16, 17
MONO TUNER	13
MULTI JOG	5, 7, 9, 10-12, 14-19, 21
MUTING, MUTE	8
PHONES	7
PHONO	11
POWER	6, 7, 13, 24
RECEIVER/DIGIT	6, 20
SET UP	6, 20
SLEEP	21
SPEAKER IMPEDANCE SELECTOR	4
SURROUND	15, 16, 19
TAPE MONITOR	11, 12
T-BASS	8
TUNER BAND	13, 14
TUNER PRESET/SURROUND	6
TUNING ∇ (DOWN)	5, 6, 8-11, 13, 14, 17, 18, 21
TUNING \blacktriangle (UP)	5, 6, 8-11, 13, 14, 17, 18, 21
TV	20
VCR	20
VIDEO 1/DVD/MD	11
VIDEO 2/LD/TV	11
VIDEO 3	11
VOLUME	6, 8

AVERTISSEMENT

POUR REDUIRE LE RISQUE DE COURT-CIRCUIT OU DE CHOC ELECTRIQUE, NE PAS EXPOSER CET APPAREIL A LA PLUIE OU A L'HUMIDITE.



Signification des symboles graphiques:



L'éclair portant une flèche, situé dans un triangle équilatéral, sert à prévenir l'utilisateur de la présence d'une "tension dangereuse" non isolée à l'intérieur de l'appareil, assez élevée pour constituer un risque d'électrocution.



Le point d'exclamation situé dans un triangle équilatéral, sert à prévenir l'utilisateur de la présence d'instructions importantes concernant l'utilisation et l'entretien (ou la réparation) de l'appareil dans le manuel qui accompagne ce dernier.

Relevé du propriétaire

Pour plus de commodité, noter le numéro de modèle et le numéro de série (cas numéros se trouvent au dos de l'appareil) dans les cases ci-dessous. Prière de mentionner ces numéros quand on contacte un distributeur Aiwa en cas de difficulté.

N° de modèle	N° de série (N° de lot)
AV-D77	

PRECAUTIONS

Lisez attentivement et complètement le mode d'emploi avant d'utiliser l'ampli-tuner et conservez-le pour toute référence future. Respectez tous les avertissements et consignes mentionnés dans le mode d'emploi, ainsi que les conseils concernant la sécurité.

Installation

- Eau et humidité** — Ne pas utiliser l'ampli-tuner près d'une baignoire, d'un lavabo, d'une piscine ou de tout autre endroit similaire.
- Chaleur** — Ne pas utiliser l'ampli-tuner près d'une source de chaleur, comme une sortie d'air chaud, un chauffage, ou autre appareil produisant de la chaleur. Il ne doit pas non plus être exposé à des températures inférieures à 5°C (41°F) ou supérieures à 35°C (95°F).
- Installation** — Installez l'ampli-tuner sur une surface plane, de niveau.
- Ventilation** — Laissez un espace suffisant tout autour de l'ampli-tuner pour garantir une bonne ventilation, soit environ 10 cm (4 po.) à l'arrière et au-dessus de l'ampli-tuner et 5 cm (2 po.) sur les deux côtés.
 - Ne pas poser l'ampli-tuner sur un lit, une couverture ou toute autre surface similaire qui pourrait bloquer les orifices de ventilation.
 - Ne pas installer l'ampli-tuner dans une étagère, un placard ou un meuble où la ventilation est insuffisante.
- Objets et liquide** — Veillez à ce qu'aucun objet ni liquide ne pénètre dans les orifices de ventilation de l'ampli-tuner.
- Chariots et supports** — Quand vous installez l'ampli-tuner sur un support ou un chariot, déplacez-les lentement.
 - A cause d'arrêts subits, de mouvements brusques et de surfaces inégales, l'ampli-tuner ou le chariot peuvent être renversés.
- Fixation au mur ou au plafond** — L'ampli-tuner ne doit pas être installé au mur ou au plafond.



Electricité

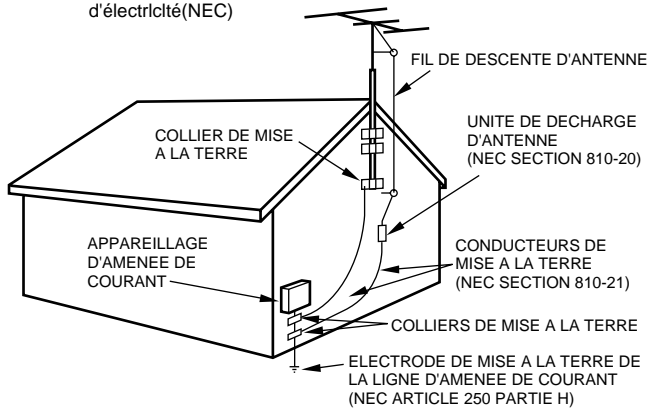
- Sources d'alimentation** — Raccordez l'ampli-tuner seulement à la source d'alimentation spécifiée dans le mode d'emploi et indiquée sur l'ampli-tuner proprement dit.
- Polarisation** — Par mesure de sécurité, certains appareils sont équipés d'une fiche secteur polarisée qui ne rentre dans la prise murale que dans un seul sens. S'il n'est pas possible d'insérer la fiche dans la prise, essayez dans l'autre sens. S'il n'est toujours pas possible d'insérer la fiche dans la prise, faites appel à un électricien pour remplacer la prise qui est probablement trop vieille. Ne pas modifier la fiche polarisée, elle ne remplirait plus son but.
- Cordon d'alimentation secteur**
 - Quand vous débranchez le cordon d'alimentation secteur, tirez sur la fiche et non pas sur le cordon.
 - Ne jamais toucher la fiche secteur avec des mains humides afin d'éviter les risques d'incendie ou d'électrocution.
 - Les cordons d'alimentation doivent être fixés correctement pour éviter qu'ils ne soient pliés, coincés ou piétinés. Faites particulièrement attention au cordon reliant l'ampli-tuner à la prise secteur.
 - Évitez de surcharger les prises murales (secteur) et les prolongateurs au-delà de leur capacité, car vous risquez sinon de provoquer un incendie ou une décharge électrique.
- Cordon de prolongation** — Afin d'éviter tout risque d'électrocution, ne pas utiliser de fiche secteur polarisée avec un cordon de prolongation, douille ou autre type de prise à moins que la fiche polarisée ne soit complètement insérée sans laisser les lames à découvert.

- 5 **Quand l'ampli-tuner n'est pas utilisé** — Débranchez l'ampli-tuner de la prise murale si vous prévoyez de ne pas l'utiliser pendant plusieurs mois. Quand le cordon est branché, une petite quantité d'électricité s'écoule vers même s'il est hors tension.

Antenne extérieure

- 1 **Lignes électriques** — Quand vous raccordez une antenne extérieure, assurez-vous qu'elle est suffisamment éloignée des lignes électriques.
- 2 **Prise de terre de l'antenne extérieure** — Assurez-vous que l'antenne est raccordée correctement à la terre par mesure de protection contre les pointes de tension et l'accumulation de charges statiques. L'article 810 du Code Electrique National, ANSI/NFPA70, fournit des informations pour une mise à la terre correcte des mâts et supports, la mise à la terre du fil de connexion à un appareil de décharge, la dimension de l'appareil de décharge, la connexion des électrodes de terre et les exigences que doivent remplir les électrodes de terre.

Mise à la terre d'une antenne selon le code national d'électricité(NEC)



NEC: CODE NATIONAL D'ELECTRICITE

Entretien

Nettoyez l'ampli-tuner comme indiqué dans le mode d'emploi.

Réparations exigeant l'intervention d'un professionnel

Faites réparer l'ampli-tuner par un professionnel dans les cas suivants:

- Le cordon ou la prise secteur a été endommagé
- Des objets ou liquides sont tombés dans l'ampli-tuner
- L'ampli-tuner a été exposé à la pluie ou à l'eau
- L'ampli-tuner ne semble pas fonctionner correctement
- Les performances de l'ampli-tuner ne sont plus les mêmes
- L'ampli-tuner est tombé ou le coffret a été endommagé

NE PAS ESSAYER DE REPARER SOI-MEME LE RECEPTEUR.

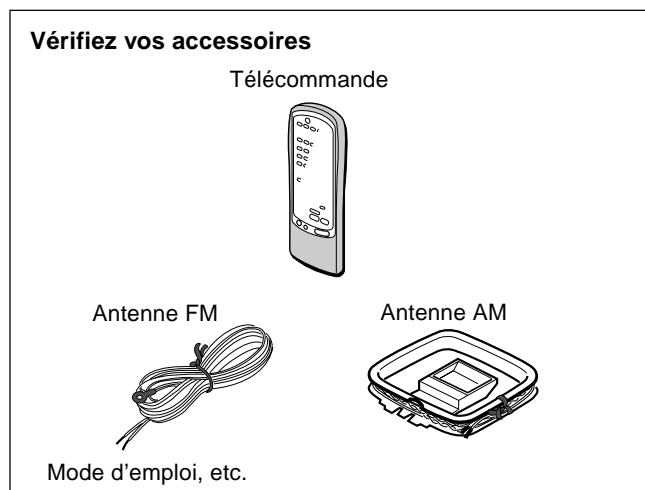


TABLE DES MATIERES

PRECAUTIONS	1
PREPARATIFS	
RACCORDEMENTS	3
AVANT DE COMMENCER	7
SON	
REGLAGE PERSONNEL DU SON	8
EGALISEUR GRAPHIQUE ELECTRONIQUE	9
PROCESSEUR D'AMBIANCE	10
OPERATIONS DE BASE	
SELECTION D'UNE SOURCE AUDIO OU VIDEO	11
ENREGISTREMENT D'UNE SOURCE AUDIO	12
RECEPTION RADIO	
ACCORD MANUEL	13
PREREGLAGE DES STATIONS	14
DOLBY SURROUND ET DTS SURROUND	
SELECTION DU DOLBY SURROUND	15
REGLAGE DU SON DOLBY DIGITAL SURROUND	18
SELECTION DU DTS SURROUND	19
TELECOMMANDE	
FONCTIONNEMENT D'UN TELEVISEUR ORDINAIRE, TELEVISEUR RACCORDE AU CABLE, MAGNETOSCOPE ET LECTEUR CD	20
MINUTERIE	
REGLAGE DE L'HORLOGE	21
REGLAGE DE LA MINUTERIE D'ARRET	21
GENERALITES	
SPECIFICATIONS	22
SOIN ET ENTRETIEN	23
EN CAS DE PANNE	23
NOMENCLATURE	23
ANNEXE	
CODES ID DE TELEVISEURS	A-1
CODES ID DE DECODEURS	A-3
CODES ID DE MAGNETOSCOPES	A-4
CODES ID DE LECTEURS CD	A-5
CODES ID DE SATELLITES DSS	A-6

RACCORDEMENTS

Avant de raccorder le cordon secteur

La tension nominale de l'ampli-tuner indiquée sur le panneau arrière est de 120 V. Vérifiez si elle correspond à la tension locale.

IMPORTANT

Raccordez les enceintes, les antennes et les autres appareils en premier. Raccordez le cordon secteur en dernier.

RACCORDEMENT DE TOUT L'ÉQUIPEMENT

Les prises et les fiches des cordons de liaison sont codées couleur de la façon suivante:

Prises et fiches rouges: Canal droit des signaux audio

Prises et fiches blanches: Canal gauche des signaux audio

Prises et fiches jaunes ou noirs: Signaux vidéo ou S-Vidéo

REMARQUE

Insérez les fiches à fond dans les prises. Des connexions relâchées peuvent produire un bourdonnement ou d'autres interférences.

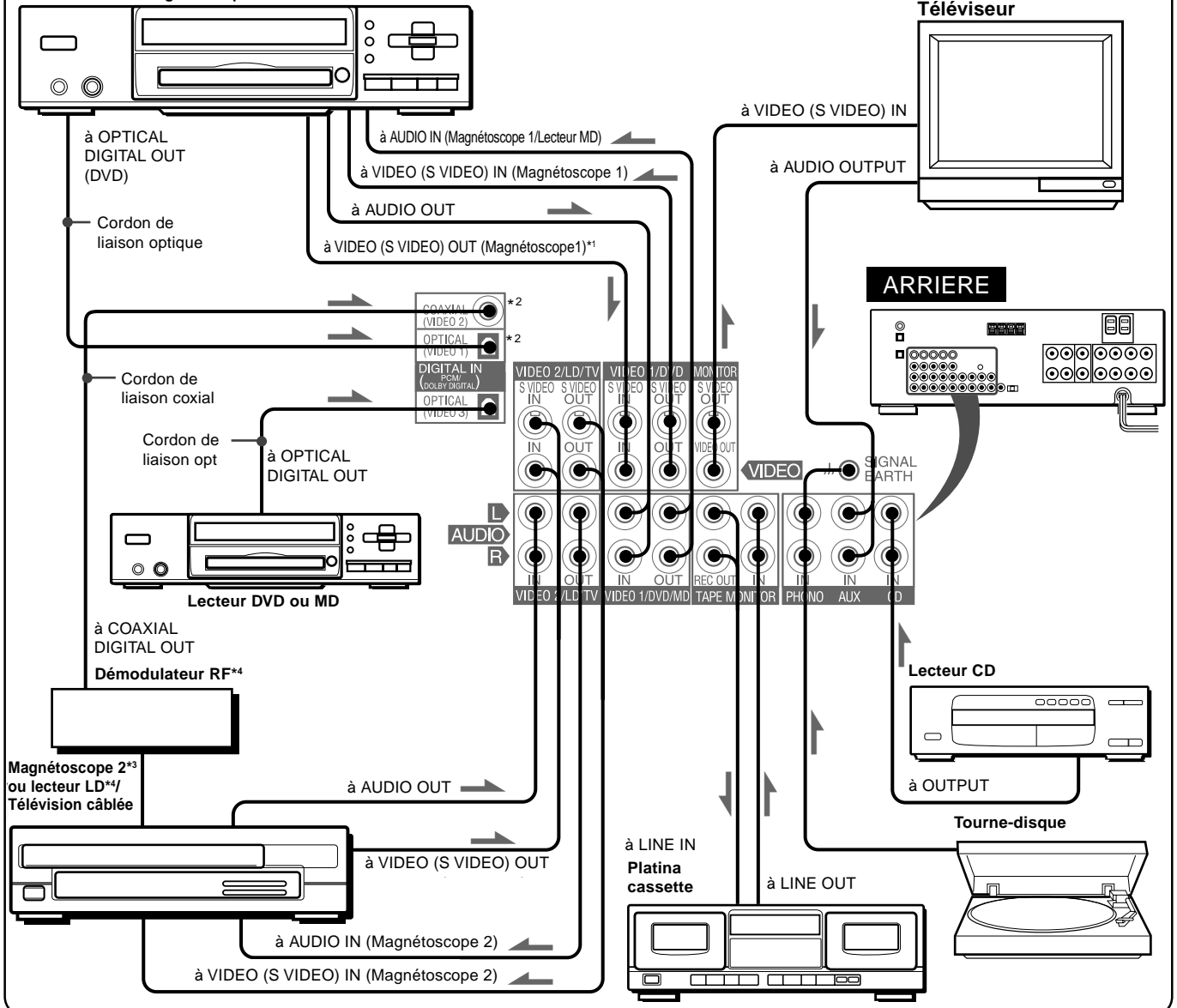
*1 Veillez à raccorder la prise VIDEO (S VIDEO) OUT d'un lecteur DVD directement à un téléviseur, et non pas à cet appareil, sinon l'image présentera de la distorsion à la lecture de DVD de copie protégée.

*2 Le son fourni par les prises DIGITAL IN ne peut pas être enregistré. Lors de l'enregistrement du son d'un lecteur DVD, CD, MD ou LD, raccordez les prises analogiques AUDIO OUT du lecteur aux prises correspondantes AUDIO IN de l'ampli-tuner.

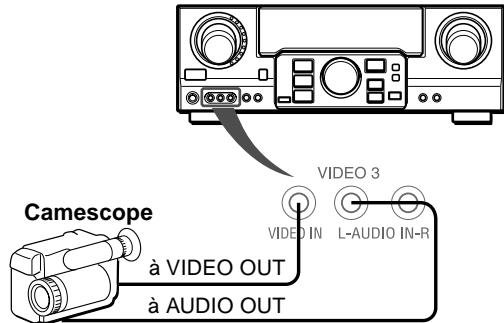
*3 Pour le raccordement d'un appareil vidéo monophonique, utilisez un cordon de liaison stéréo-mono (non fourni).

*4 Lors du raccordement d'un lecteur LD équipé d'une prise AC-3 RF OUT, utilisez un démodulateur RF. Raccordez aussi les prises analogiques AUDIO OUT du lecteur LD à l'ampli-tuner pour l'écoute des différentes sources. Pour de plus amples informations, consultez les instructions du lecteur LD.

Lecteur DVD ou magnéto 1*3/Lecteur MD

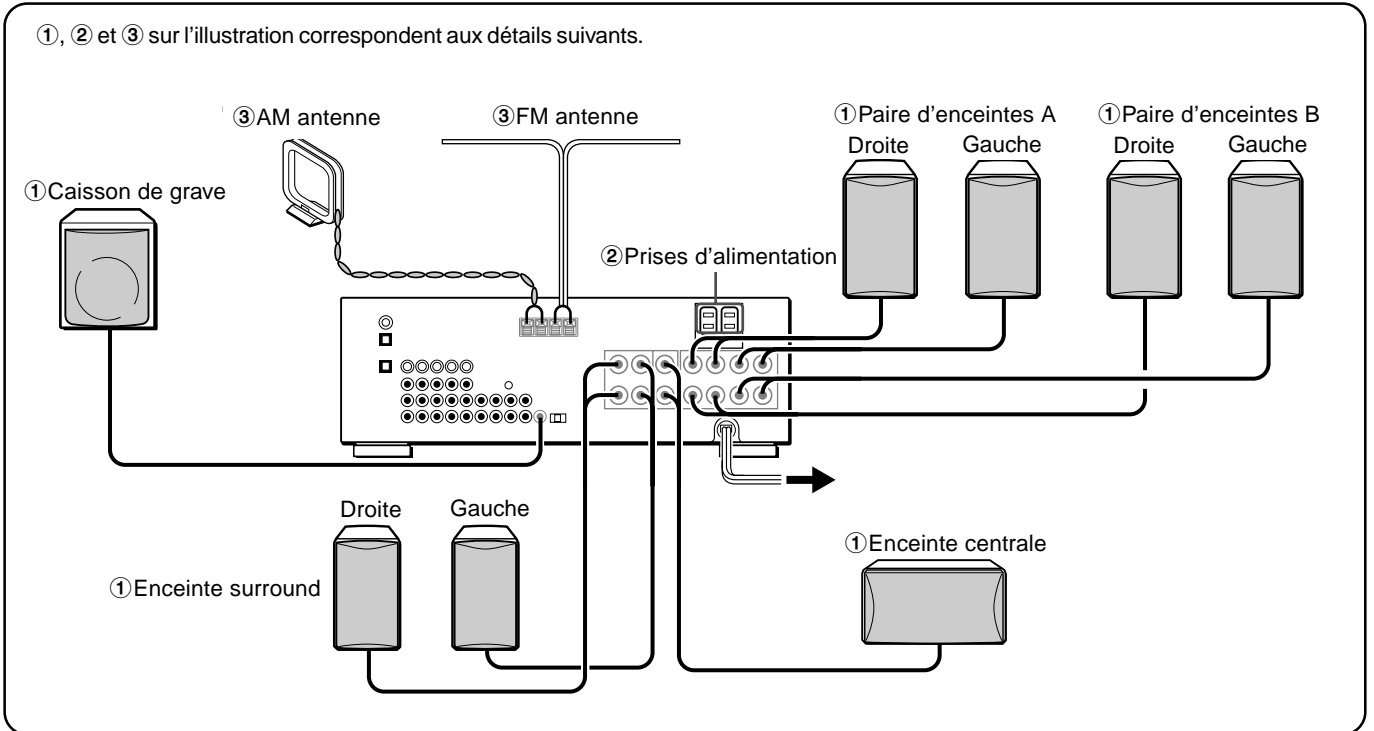


AVANT



Téléviseur

ARRIERE



RACCORDEMENT DES ENCEINTES ①

Bornes d'enceinte

Raccordez les enceintes avant (systèmes A et/ou B), une enceinte centrale, des enceintes surround et un caisson de grave aux prises correspondantes de l'ampli-tuner:

- les cordons d'enceintes avant aux bornes FRONT SPEAKERS
- le cordon d'enceinte centrale aux bornes CENTER SPEAKER
- les cordons d'enceinte surround aux bornes SURROUND SPEAKERS.

- le cordon du caisson de grave (amplifié) à la prise SUB WOOFER pour obtenir un son grave omniprésent.

Lors du raccordement du haut-parleur d'extrêmes graves, veillez à sélectionner le mode "SUBW ON" (haut-parleur d'extrêmes graves actif) (voir page 5).

Impédance des enceintes

• Enceintes avant et arrière

Utilisez des enceintes de même impédance pour les enceintes avant et arrière.

Le sélecteur SPEAKER IMPEDANCE SELECTOR à l'arrière de l'ampli-tuner doit être réglé sur la position correspondant à l'impédance des enceintes avant et centrale.

Pour utiliser des enceintes de 4 ohms, réglez le sélecteur sur IMP:4Ω. Pour utiliser des enceintes de 8 ohms, réglez-le sur IMP:8Ω. Débranchez le cordon secteur avant de régler le sélecteur.

• Enceintes surround et caisson de grave

Le sélecteur SPEAKER IMPEDANCE SELECTOR n'a aucun effet sur les bornes SURROUND SPEAKERS et la prise SUB WOOFER. Pour les enceintes surround et le caisson de grave, utilisez des enceintes d'au moins 8 ohms.

Raccordement des bornes + à + et - à -

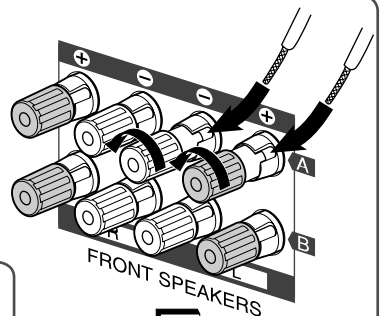
Pour obtenir l'effet sonore adéquat, les bornes d'enceintes de l'ampli-tuner et des enceintes doivent être raccordées correctement: les bornes + de l'ampli-tuner doivent être reliées aux bornes + des enceintes (et - à -).

REMARQUE

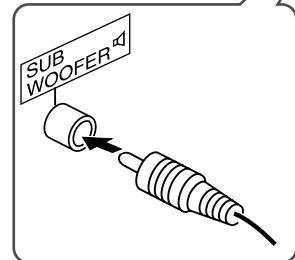
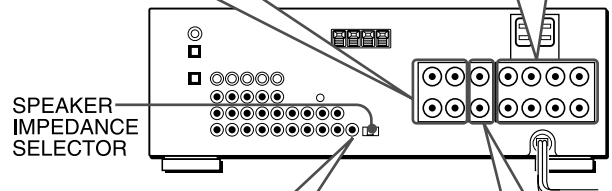
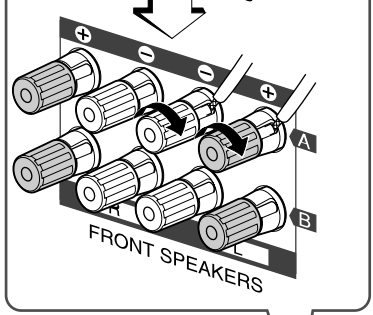
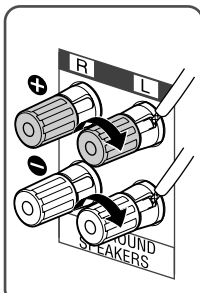
- Veillez à raccorder correctement les cordons comme indiqué sur l'illustration de droite. Des connexions inadéquates peuvent causer des courts-circuits au niveau des bornes SPEAKER(S).
- Ne pas laisser de sources de magnétisme près des enceintes.

Enceintes avant

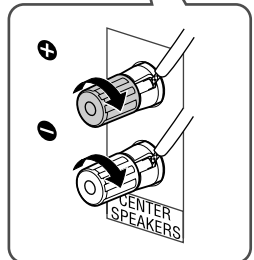
Enroulez le bout du cordon autour du terminal. Serrez ensuite le terminal. Vérifiez que le cordon est attaché correctement.



Enceintes surround



Caisson de grave



Enceinte centrale

POSITIONNEMENT DES ENCEINTES

Placez les enceintes afin de profiter au mieux des effets surround DOLBY SURROUND, DTS SURROUND ou DSP.

Enceintes avant (L/R)

Enceinte centrale (C)

Installez l'enceinte centrale entre les deux enceintes avant et sur ou sous le téléviseur, si l'ampli-tuner est raccordé à un téléviseur.

Enceintes surround (SL/SR)

Installez les enceintes surround directement sur les côtés ou légèrement en retrait de la position d'écoute. Alignez-les horizontalement à environ 1 m (3,2 pieds) au-dessus du niveau des oreilles.

Caisson de grave (SW)

Installez le caisson de grave quelque part entre les deux enceintes avant.

Lors du raccordement d'un haut-parleur d'extrêmes graves

Sélectionnez le mode "SUBW ON".

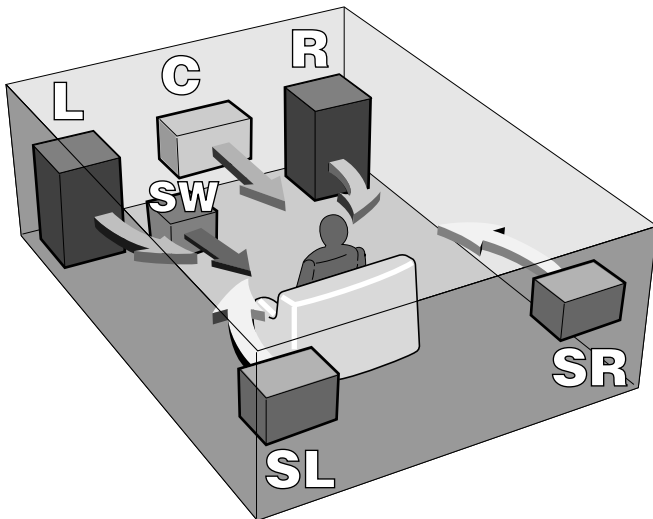
1. Appuyez une seule fois sur la touche MANUAL SELECT de la télécommande de manière à ce que "SUBW OFF" apparaisse dans la fenêtre d'affichage.
2. Appuyez sur la touche TUNING ∇ (DOWN) dans les 4 secondes ou tournez MULTI JOG vers la gauche pour afficher "SUBW ON".

Si un haut-parleur d'extrêmes graves n'est pas raccordé, veillez à sélectionner "SUBW OFF".

Affichez "SUBW ON" à l'étape 1 et appuyez sur la touche TUNING \blacktriangle (UP) ou tournez MULTI JOG vers la droite à l'étape 2.

REMARQUE

Le son émis par les enceintes surround ou l'enceinte centrale dépend du réglage DOLBY SURROUND, DTS SURROUND ou DSP.



UTILISATION DES PRISES D'ALIMENTATION DE L'APPAREIL ②

Cet appareil est doté de prises d'alimentation que vous pouvez utiliser lorsque l'appareil est branché à une prise d'alimentation électrique murale.

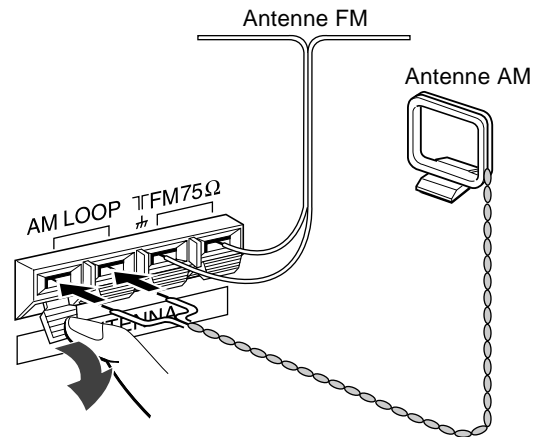
SWITCHED: Le courant électrique parcourt l'appareil lorsque l'appareil est sous tension.

UNSWITCHED: Le courant électrique parcourt toujours l'appareil.

Ne branchez pas d'équipements au-delà de la capacité maximum (120 W, 1 A MAX. et TOTAL)

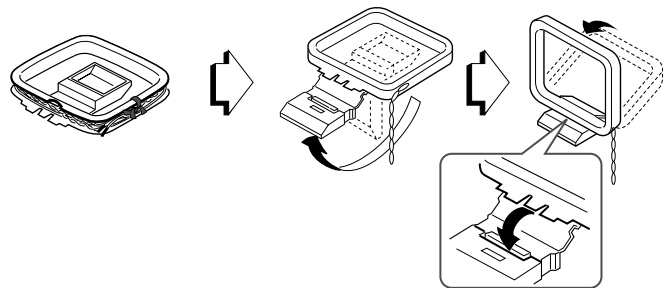
RACCORDEMENT DES ANTENNES FOURNIES ③

Raccordez l'antenne FM aux bornes FM 75 Ω et l'antenne AM aux bornes AM LOOP.



Pour poser l'antenne cadre AM sur une surface

Insérez la saillie dans la rainure comme indiqué sur l'illustration.



Pour positionner les antennes

Antenne fil FM:

Étendez-la à l'horizontale de manière à former un T et fixez ses extrémités au mur.

Antenne cadre AM:

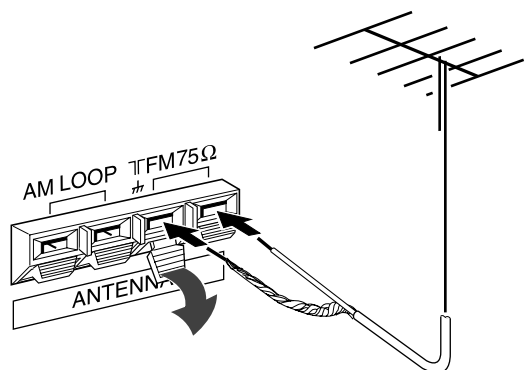
Faites-la pivoter pour trouver la meilleure direction.

REMARQUE

- Ne pas approcher l'antenne FM d'objets métalliques ou de tringles de rideaux.
- Ne pas approcher l'antenne AM d'autres appareils, de l'ampli-tuner, du cordon secteur ou des cordons d'enceintes, car elle pourrait capter du bruit.
- Ne pas dérouler le fil de l'antenne cadre AM.

RACCORDEMENT D'UNE ANTENNE EXTERIEURE

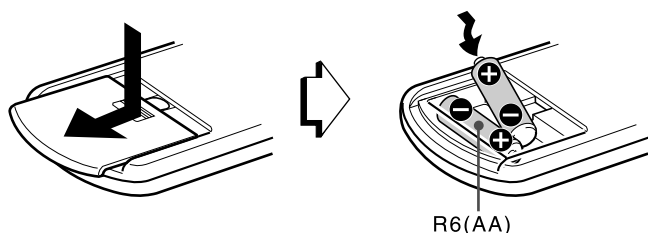
Pour garantir une réception FM de qualité, il est conseillé d'utiliser une antenne extérieure. Raccordez l'antenne extérieure aux bornes FM 75 Ω .



A PROPOS DE LA TÉLÉCOMMANDE

Mise en place des piles

Enlevez le couvercle du logement des piles au dos de la télécommande et insérez deux piles R6 (format AA).



Remplacement des piles

La portée maximale de la télécommande, c'est-à-dire la distance entre la télécommande et le capteur de l'ampli-tuner, devrait être de 5 mètres (16 pieds). Quand la portée est réduite, remplacez les piles par des neuves.

Important

- Les touches **ENTER** de la télécommande ne remplacent pas la touche **ENTER** située sur l'appareil. Ces touches sont destinées au contrôle de lecteurs DVD AIWA et d'autres équipements audio/vidéo.
- En général, les touches **UP** et **DOWN** de la télécommande remplacent les touches **^** et **v** situées sur l'appareil sauf quand la fonction **TUNER** est sélectionnée.

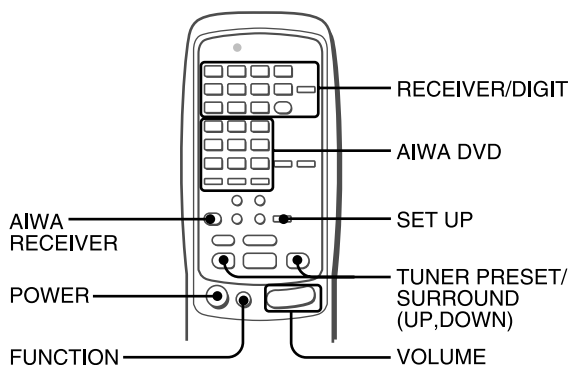
REMARQUE

- Si vous prévoyez de ne pas utiliser l'ampli-tuner pendant une certaine période, enlevez les piles de la télécommande pour éviter toute fuite de l'électrolyte des piles.
- La télécommande risque de ne pas fonctionner correctement quand:
 - La ligne de vue entre la télécommande et le capteur de télécommande dans l'afficheur est exposée à une lumière intense, par exemple la lumière directe du soleil.
 - D'autres télécommandes sont utilisées à proximité (télécommande de téléviseur, par ex.).

FONCTIONNEMENT DE LA TÉLÉCOMMANDE

Cette télécommande vous permet de faire fonctionner d'autres appareils outre l'ampli-tuner AIWA. Pour les détails au sujet du fonctionnement d'un autre appareil à partir de la télécommande, reportez-vous à "TELECOMMANDE" à la page 20.

La section suivante explique comment faire fonctionner l'ampli-tuner et les lecteurs DVD AIWA.



1 Appuyez sur la touche AIWA RECEIVER pour régler la télécommande sur le mode ampli-tuner AIWA.

2 Appuyez sur une des touches indiquées ci-dessus.

Touche **FUNCTION**

A chaque pression sur cette touche, la source sonore change de la façon suivante.

Touches **TUNER PRESET/SURROUND**

Elles servent à accorder les stations qui ont été pré-réglées. Accordez une station qui a été pré-réglée sur l'ampli-tuner. Pour accorder une station supérieure, appuyez sur la touche **UP**. Pour accorder une station inférieure, appuyez sur la touche **DOWN**.

Cette touche est également utilisée lors du réglage de la balance des enceintes en mode **DOLBY SURROUND**, **DTS SURROUND** ou **DSP**, etc.

REMARQUE

Il n'est pas nécessaire d'appuyer sur la touche **AIWA RECEIVER** chaque fois que vous faites fonctionner l'ampli-tuner AIWA, à moins qu'un autre mode ait été sélectionné. (Voir "TELECOMMANDE" à la page 20.)

Contrôle de lecteurs DVD AIWA

Il vous est possible de contrôler les fonctions de base de lecteurs DVD AIWA avec la télécommande. En principe, les touches **AIWA DVD** ont la même fonction que celles figurant sur les lecteurs DVD. Pour obtenir plus de détails, reportez-vous au mode d'emploi des lecteurs.

Si l'ampli-tuner ne fonctionne pas avec la télécommande

Effectuez les étapes suivantes avec la télécommande.

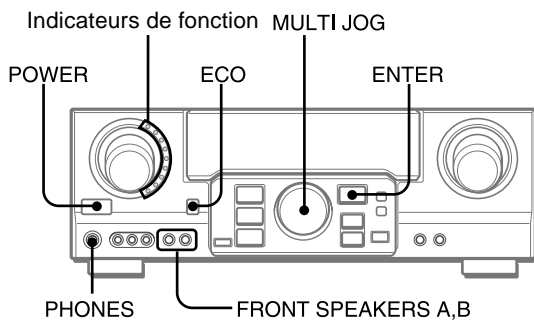
1 Appuyez sur la touche AIWA RECEIVER.

2 Appuyez pendant environ 3 secondes sur la touche SET UP.

Le témoin en haut de la télécommande clignote deux fois pendant que vous appuyez sur la touche.

3 Appuyez sur les touches DIGIT dans l'ordre de "0", "4", "0" et "6".

AVANT DE COMMENCER



Pour mettre l'ampli-tuner sous tension

Appuyez sur la touche POWER.

Le fonctionnement est possible après quatre secondes. Le niveau de VOL (volume) et le nom de la fonction s'affichent l'un après l'autre pendant les quatre premières secondes.

L'indicateur de fonction sélectionnée s'allume en rouge.

Pour changer la luminosité de l'affichage

- 1 Appuyez plusieurs fois sur ECO jusqu'à ce que "DIM MODE" s'affiche.
- 2 En l'espace de 4 secondes, appuyez sur la touche ENTER.
- 3 En l'espace de 4 secondes, tournez MULTI JOG pour sélectionner le mode d'atténuation comme ci-dessous. Le mode se règle automatiquement après 4 secondes. Il se règle également si vous appuyez sur la touche ENTER dans un délai de 4 secondes après l'étape 3.



- DIM-OFF: Afficheur normal
DIMMER 1: Eclairage de l'afficheur atténué.
DIMMER 2: Eclairage de l'afficheur plus atténué qu'avec DIMMER 1. L'indicateur de fonction s'éteint.

Utilisation d'un casque d'écoute

Raccordez un casque d'écoute à fiche standard stéréo (ø6,3 mm, 1/4 pouce) à la prise PHONES. N'oubliez pas de désactiver les touches FRONT SPEAKERS A et B (■ OFF/arrêt), sinon le son sera fourni par les enceintes.

REMARQUE

- Si le casque d'écoute est branché:
- Le système Dolby Pro Logic ou DSP est automatiquement désactivé
 - Le mode Dolby Digital surround ou DTS surround est remplacé par le mode "2chSTEREO (2CH DOWNMIX)"

Sélection de la paire d'enceintes avant

Pour utiliser la paire d'enceintes A: Réglez la touche FRONT SPEAKERS A sur ■ ON (marche).

Pour utiliser la paire d'enceintes B: Réglez la touche FRONT SPEAKERS B sur ■ ON (marche).

Pour utiliser les deux paires d'enceintes: Réglez les deux touches sur ■ ON (marche).

Réglez ces touches sur ■ OFF (arrêt) pour mettre une paire d'enceintes, ou les deux, hors service.

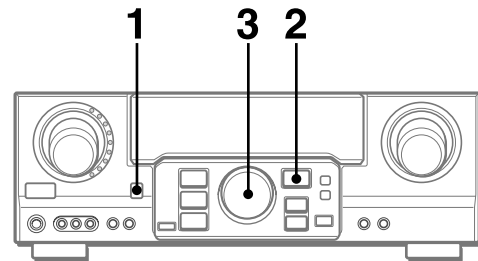
REMARQUE

Comme les paires d'enceintes avant A et B sont raccordées en série:

- le son est légèrement réduit quand vous utilisez les deux paires d'enceintes
- aucun son n'est audible si les touches FRONT SPEAKERS A et B sont enclenchées (■ ON/marche) mais qu'une seule paire d'enceintes est raccordée

Pour éteindre l'ampli-tuner, appuyez sur l'interrupteur POWER.

MODE D'ECONOMIE D'ENERGIE (ECO)



Activez l'ampli-tuner en mode ECO pour réduire la consommation d'électricité comme indiqué ci-dessous.

Le réglage par défaut du mode ECO est ON.

- Lorsque l'heure a été réglée, l'affichage de l'horloge disparaît immédiatement.
- Lorsque l'appareil est hors tension, toutes les fenêtres d'affichage s'éteignent et seul l'indicateur du côté gauche de la fenêtre d'affichage s'allume en rouge.

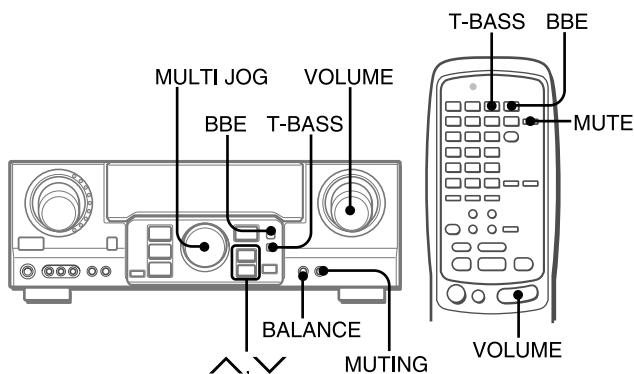
Pour désactiver le mode ECO

- 1 Appuyez sur la touche ECO pour afficher ECO MODE alors que l'appareil est sous tension.
- 2 En l'espace de 4 secondes, appuyez sur la touche ENTER.
- 3 En l'espace de 4 secondes, tournez MULTI JOG pour sélectionner ECO OFF.

Le mode se règle automatiquement au bout de 4 secondes.

Il se règle également si vous appuyez sur la touche ENTER dans un délai de 4 secondes après l'étape 3.

REGLAGE PERSONNEL DU SON



REGLAGE DE VOLUME

Tournez la commande de VOLUME sur l'ampli-tuner ou appuyez sur les touches VOLUME de la télécommande.

Le niveau sonore est indiqué sur l'afficheur pendant quatre secondes. Il peut être réglé de 0 à 31 (MAX) mais il clignote s'il est réglé au-dessus du niveau 27.

Le niveau de volume reste mémorisé même après que l'appareil est hors tension. Toutefois, si l'appareil est mis hors tension lorsque le volume est réglé sur 17 ou plus, il est automatiquement ramené à 16 la prochaine fois que l'appareil est mis sous tension.

Pour ajuster la balance gauche/droite des enceintes avant

Appuyez sur la touche BALANCE pour afficher "L/R 0dB", puis appuyez de façon répétée sur la touche \wedge ou \vee ou tournez MULTI JOG en l'espace de quatre secondes.

Notez que la balance de l'enceinte en mode DOLBY SURROUND et DTS SURROUND est également modifiée.

Pour couper provisoirement le son

Appuyez sur la touche MUTING (MUTE) (-20 dB).

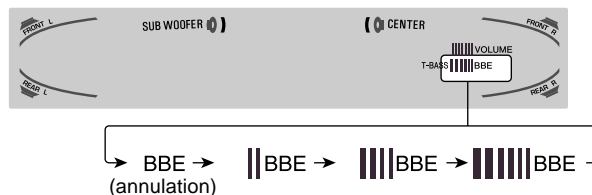
"MUTE ON" apparaît sur l'afficheur pendant quatre secondes. Quand le son est coupé, l'indicateur de fonction sélectionné clignote. Appuyez une nouvelle fois sur la touche MUTING pour rétablir le son.

SYSTEME BBE

Le système BBE permet d'améliorer la clarté des hautes fréquences.

Appuyez sur la touche BBE.

A chaque pression, le niveau change. Sélectionnez un des trois niveaux, ou la position d'annulation si vous préférez.



REMARQUE

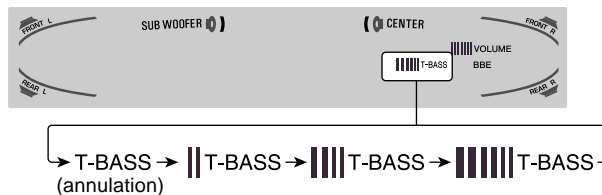
- Le système BBE est automatiquement annulé et ne peut pas être activé:
 - Lorsque le mode DIGITAL est sélectionné
 - Lorsque le Dolby Pro Logic est activé.

SYSTEME SUPER T-BASS

Le système T-BASS sert à renforcer le réalisme des basses fréquences.

Appuyez sur la touche T-BASS.

A chaque pression, le niveau change. Sélectionnez un des trois niveaux, ou la position d'annulation si vous préférez.



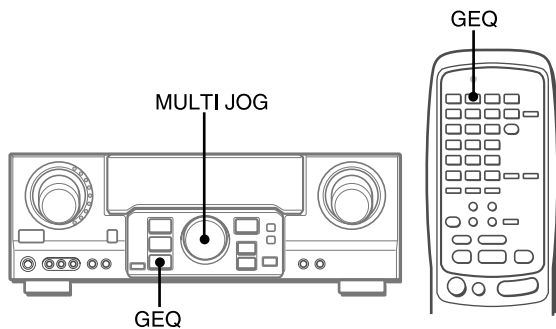
REMARQUE

Le son des basses fréquences peut présenter des distorsions quand le système T-BASS est utilisé avec un disque ou une cassette sur lesquels les graves sont amplifiés d'origine. Dans ce cas, mettez le système T-BASS hors service.

REGLAGE DU SON PENDANT L'ENREGISTREMENT

Vous pouvez varier à volonté le volume de sortie et le timbre des enceintes ou du casque sans changer le niveau d'enregistrement.

EGALISEUR GRAPHIQUE ELECTRONIQUE



L'ampli-tuner présente les cinq modes d'égalisation suivants.

ROCK: Son puissant avec accentuation des aigus et des graves

POP: Présence améliorée des voix et des médiums

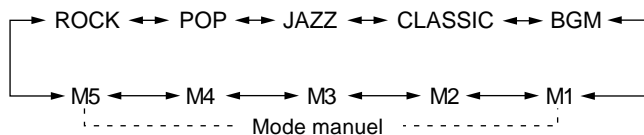
JAZZ: Accentuation des basses fréquences pour la musique de type jazz

CLASSIC: Son plus riche avec des graves lourds et des aigus fins

BGM: Son calme avec graves et aigus supprimés

Appuyez sur la touche **GEQ** (égaliseur graphique) et tournez **MULTI JOG** jusqu'à ce que le mode d'égalisation voulu s'affiche.

Les modes GEQ s'affichent de manière cyclique comme ci-après.



Le nom du mode sélectionné s'affiche pendant quatre secondes et l'indicateur GEQ s'allume.



Mode sélectionné

Pour annuler le mode sélectionné

Appuyez sur la touche **GEQ** pour afficher le nom de mode GEQ et appuyez ensuite à nouveau sur cette touche dans les 4 secondes. "GEQ OFF" apparaît sur l'afficheur.

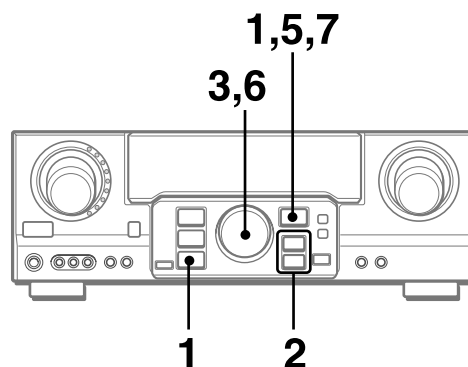
Pour sélectionner le mode avec la télécommande

Appuyez de façon répétée sur la touche **GEQ** jusqu'à ce que le mode d'égalisation souhaité apparaisse.

Cinq modes pré-réglés, les modes manuels GEQ M1 à GEQ M5 et "GEQ OFF" peuvent être sélectionnés.

REGLAGE DE NOUVELLES COURBES D'EGALISATION

Vous pouvez mémoriser jusqu'à 5 courbes d'égalisation comme modes manuels M1 à M5.



1 Appuyez sur la touche GEQ et appuyez ensuite sur ENTER dans un délai de 4 secondes.



2 Appuyez sur la touche ^ ou v pour sélectionner une fréquence.

L'indicateur de niveau de la fréquence sélectionnée se met à clignoter.

3 Tournez MULTI JOG pour ajuster le niveau de la fréquence sélectionnée.

4 Répétez les étapes 2 et 3 pour créer la courbe d'égalisation voulue.

Aux étapes 2 et 3, l'appareil revient en mode normale si aucune opération n'est exécutée dans un délai d'environ 8 secondes.

5 Dans un délai de 8 secondes, appuyez sur la touche ENTER.

"GEQ M1" apparaît dans l'afficheur.

6 Tournez MULTI JOG pour sélectionner un numéro pré-réglé entre M1 et M5.

7 Dans un délai de 4 secondes, appuyez sur la touche ENTER.

La courbe d'égalisation est mémorisée.

Le numéro pré-réglé sélectionné et la courbe d'égalisation s'affichent chacun quelques secondes.

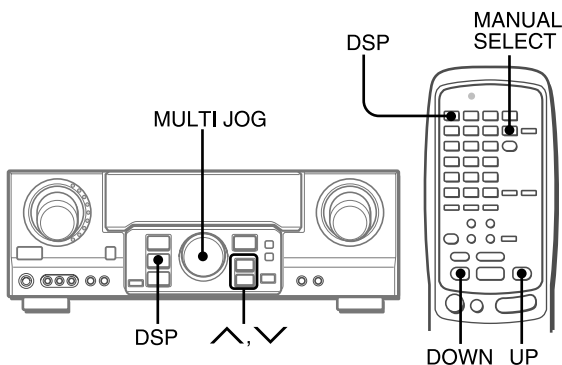
Pour ajuster temporairement la courbe GEQ

Exécutez les étapes 1 à 4 ci-dessus. La courbe GEQ ajustée reste activée jusqu'à ce que vous changiez ou que vous annuliez le mode GEQ.

Pour sélectionner une courbe pré-réglée manuellement

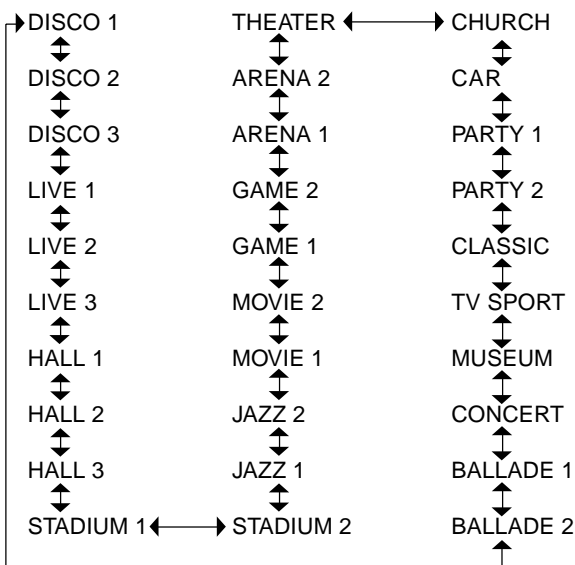
Appuyez sur la touche **GEQ** et tournez **MULTI JOG** jusqu'à ce que le numéro pré-réglé sélectionné apparaisse.

PROCESSEUR D'AMBIANCE



Les circuits du processeur d'ambiance (DSP) peuvent recréer l'effet de sons réfléchis par les murs et les plafonds, pour simuler la présence d'un environnement particulier. L'appareil propose 30 modes de présélection DSP. Certains d'entre eux sont accompagnés du mode de présélection GEQ correspondant et vous pouvez également sélectionner ou désactiver le GEQ pour s'adapter à vos préférences.

Appuyez sur la touche DSP et tournez MULTI JOG ou appuyez plusieurs fois sur la touche ^ ou v jusqu'à ce que le mode DSP désiré s'affiche



Le nom du mode sélectionné s'affiche pendant quatre secondes et l'indicateur DSP s'allume. Lorsque le mode DSP sélectionné est accompagné du mode GEQ correspondant, l'indicateur GEQ s'allume également.



Mode sélectionné

Quand la source de musique est monophonique

Le système DSP risque de ne pas fonctionner normalement.

Pour annuler le mode sélectionné

Appuyez sur la touche DSP pour afficher le nom de mode DSP et appuyez ensuite à nouveau sur cette touche dans les 4 secondes. "DSP OFF" apparaît sur l'afficheur. Même si vous annulez le mode DSP sélectionné, le mode GEQ correspondant ou sélectionné reste actif.

Pour sélectionner le mode avec la télécommande

- 1 Appuyez sur la touche DSP.
- 2 Dans les 4 secondes qui suivent, appuyez plusieurs fois sur les touches UP ou DOWN jusqu'à ce que le mode DSP désiré soit affiché.
30 modes pré-réglés peuvent être sélectionnés.
Pour changer rapidement de mode, maintenez la touche UP ou DOWN enfoncée.

Pour ajuster le volume et la balance des enceintes surround

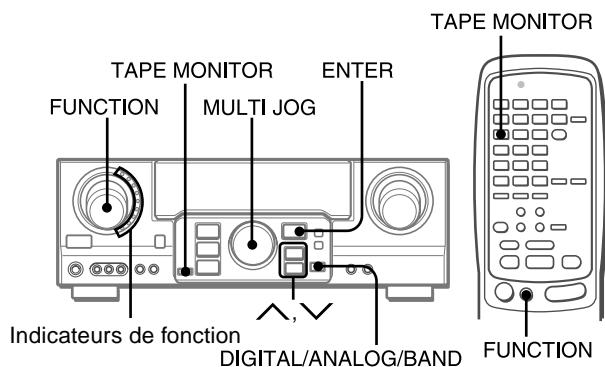
Appuyez trois fois sur la touche MANUAL SELECT de la télécommande pour afficher "SUR 0dB" lorsque le système DSP est activé. Puis, appuyez plusieurs fois de suite sur la touche ^ (UP) ou v (DOWN) ou tournez MULTI JOG dans les quatre secondes.

REMARQUE

Le système surround DSP est automatiquement annulé et ne peut pas être activé lorsque:

- les écouteurs sont branchés
- le signal d'entrée est 96 kHz

SELECTION D'UNE SOURCE AUDIO OU VIDEO



1 Sélectionnez la source de programme.

Tournez le sélecteur FUNCTION ou appuyez sur la touche TAPE MONITOR. L'indicateur de la fonction sélectionnée clignote en rouge.

Pour écouter ou regarder	L'indicateur en rouge
une cassette	TAPE MONITOR
la radio	TUNER
un disque analogique	PHONO
un disque compact	CD
la télévision, etc.	AUX
une cassette vidéo	VIDEO 1/DVD/MD, VIDEO 2/LD/TV, VIDEO 3
un LD ou la télévision câble	VIDEO 2/LD/TV
un MD ou DVD	VIDEO 1/DVD/MD

Les fonctions à sélectionner (excepté PHONO) dépendent de l'appareil raccordé aux bornes d'entrée du panneau arrière de l'appareil.

A sélectionner avec la télécommande

Appuyez plusieurs fois de suite sur la touche TAPE MONITOR ou FUNCTION.

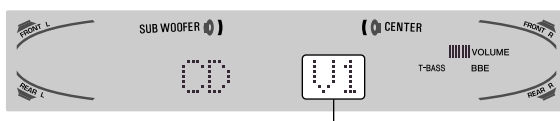
REMARQUE

Quand vous utilisez un tourne-disque avec amplificateur égaliseur intégré, réglez l'interrupteur de l'amplificateur égaliseur sur arrêt. Reportez-vous au mode d'emploi de la platine tourne-disque pour les détails.

2 Démarrez la source de programme sélectionnée.

3 Réglez le son.

A propos de la source vidéo fournie au moniteur ou téléviseur



V1: VIDEO 1, V2: VIDEO 2, V3: VIDEO 3

La source vidéo sélectionnée est indiquée sur l'afficheur et le signal vidéo transmis par la prise MONITOR VIDEO (S VIDEO) OUT apparaît sur le téléviseur.

Pour sélectionner la source vidéo

- 1 Tournez FUNCTION pour sélectionner PHONO, CD ou AUX.
- 2 Appuyez sur la touche ENTER pour afficher VIDEO 1.
- 3 Tournez MULTI JOG pour sélectionner VIDEO 2 ou VIDEO 3.

Pour changer le nom affiché pour la touche VIDEO 1 et la touche VIDEO 2

Lorsque la fonction VIDEO 1 est sélectionnée, VIDEO 1 apparaît normalement. Vous pouvez le changer par DVD ou MD.

Appuyez sur la touche DIGITAL/ANALOG/BAND tout en maintenant la touche ENTER enfoncée, et relâchez la touche ENTER en premier.

Le nom affiché pour la fonction VIDEO 2 peut être changé en VIDEO 2, LD ou TV; lorsque la fonction VIDEO 2 est sélectionnée, appuyez sur la touche DIGITAL/ANALOG/BAND tout en maintenant la touche ENTER enfoncée, et relâchez la touche ENTER en premier.

Pour sélectionner le mode "ANALOG" ou "DIGITAL" (Dolby Digital ou DTS surround) de la fonction VIDEO 1, VIDEO 2 ou VIDEO 3

Appuyez sur la touche DIGITAL/ANALOG/BAND lorsque l'entrée VIDEO 1, VIDEO 2 ou VIDEO 3 est sélectionnée. Le mode sélectionné "ANALOG" ou "DIGITAL" apparaît sur l'afficheur.

Dans le mode DIGITAL: L'équipement raccordé à la borne OPTICAL DIGITAL IN est sélectionné comme une source pour la fonction VIDEO 1 ou VIDEO 3 et l'équipement raccordé à la borne COAXIAL DIGITAL ON pour la fonction VIDEO 2. L'indicateur DIGITAL s'allume en rouge.

Dans le mode ANALOG: L'équipement raccordé aux bornes VIDEO 1/DVD/MD IN ou VIDEO 3 est sélectionné comme une source pour la fonction VIDEO 1 ou VIDEO 3 et l'équipement raccordé aux bornes VIDEO 2/LD/TV pour la fonction VIDEO 2.

REMARQUE

Le mode "DIGITAL" change pour le mode "ANALOG" quand vous appuyez sur la touche TAPE MONITOR.

Quand l'indicateur "OVER LEVEL" s'allume

Cet appareil a un indicateur de crête OVER LEVEL. Si l'entrée des signaux analogiques de l'appareil raccordé est trop élevée, l'indicateur s'allume sur le côté droit de l'afficheur. Le cas échéant, ajustez le niveau d'entrée comme indiqué ci-dessous pour que l'indicateur disparaisse.

Pour ajuster le niveau sonore de la source raccordée

Le niveau de sensibilité d'entrée de chaque fonction peut être ajusté (excepté les fonctions TUNER, VIDEO 1 (DIGITAL), VIDEO 2 (DIGITAL) et VIDEO 3 (DIGITAL)).

Quand le niveau de la source sonore raccordée est plus haut ou bas que celui de la radio, ajustez-le de la façon suivante.

1 Sélectionnez la fonction dont le niveau doit être ajusté.

Tournez FUNCTION ou appuyez sur la touche TAPE MONITOR et démarrez la lecture de la source.

2 Appuyez de façon répétée sur la touche ^ (UP) ou v (DOWN).



Ajustez le niveau pour que l'indicateur "OVER LEVEL" ne s'allume pas sur l'afficheur.

- Le niveau peut être ajusté entre -6dB (MIN) et +8dB (MAX) par pas de 2dB. Ajustez le niveau de sorte que le son soit au même niveau que celui de la radio.
- Le niveau de sensibilité d'entrée de TAPE MONITOR peut être réglé sur 0dB ou -6dB.

POUR ÉCOUTER UN DVD OU UN LD ENREGISTRÉ EN DOLBY DIGITAL OU DTS SURROUND

Cet ampli-tuner est équipé d'un décodeur Dolby Digital et décodeur DTS, et a des prises DIGITAL IN (OPTICAL et COAXIAL). Si un lecteur DVD ou LD est raccordé à la prise DIGITAL IN de l'ampli-tuner, vous bénéficierez d'un véritable son cinématographique lors de la lecture de disques enregistrés en Dolby Digital surround ou DTS surround.

Préparatifs

- Assurez-vous que TAPE MONITOR n'est pas sélectionné. Si TAPE MONITOR est sélectionné, appuyez sur la touche TAPE MONITOR pour que "TAPE OFF" apparaisse sur l'afficheur.
- Lors du raccordement d'un lecteur LD équipé d'une prise AC-3 RF OUT, utilisez un démodulateur RF. Raccordez aussi les prises analogiques AUDIO OUT du lecteur LD à l'ampli-tuner pour l'écoute des différentes sources. Pour de plus amples informations, consultez les instructions du lecteur LD.

- 1 Tournez **FUNCTION** pour sélectionner **VIDEO 1 (VIDEO 2 ou VIDEO 3)** et appuyez plusieurs fois de suite sur la touche **DIGITAL/ANALOG/BAND** jusqu'à ce que l'indication "**DIGITAL**" s'affiche.



Le lecteur DVD (LD) raccordé à la prise OPTICAL (COAXIAL) DIGITAL IN est sélectionné comme source.

- 2 Commencez la lecture du DVD (LD) enregistré en Dolby Digital surround ou DTS surround.

- L'indicateur "DOLBY DIGITAL" s'allume dans l'afficheur lorsque le train de bits du Dolby Digital surround entre dans l'appareil.



Pour sélectionner le mode Dolby Digital surround approprié pour vos enceintes, reportez-vous à "SELECTION DU DOLBY SURROUND" à la page 15.

- L'indicateur "dts" s'allume dans l'afficheur lorsque le train de bits du DTS surround entre dans l'appareil.

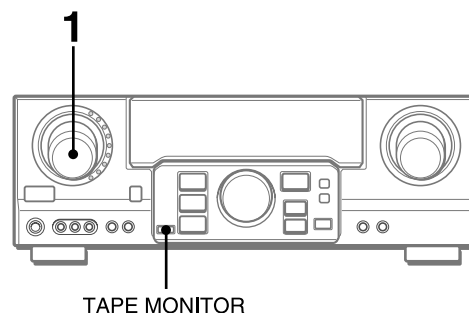


Pour sélectionner le mode DTS surround approprié pour vos enceintes, reportez-vous à "SELECTION DU DTS SURROUND" à la page 19.

REMARQUE

- Quand TAPE MONITOR est sélectionné et l'indicateur TAPE MONITOR est allumé en rouge, "DIGITAL" ne peut pas être sélectionné.
- Quand un casque est branché, le mode Dolby Digital surround et DTS surround devient automatiquement "2chSTEREO" et l'indicateur "2CH DOWNMIX" s'allume sur l'afficheur. Le mode ne peut être changé lorsque le casque d'écoute est branché, même en appuyant sur la touche SURROUND.
- Cet appareil supporte les signaux d'entrée du train de bits Dolby Digital, du train de bits Surround DTS et les signaux PCM linéaires dont la fréquence d'échantillonnage est de 32 kHz, 44,1 kHz, 48 kHz et de 96 kHz.
- Lorsque certains lecteurs DVD sont raccordés à l'ampli-tuner par les bornes DIGITAL IN, du bruit peut être audible pendant le fonctionnement du lecteur DVD: par ex. recherche de disque, saut de chapitre.

ENREGISTREMENT D'UNE SOURCE AUDIO



TAPE MONITOR

- 1 Sélectionnez la source de programme qui doit être enregistrée.

Tournez FUNCTION.

- 2 Mettez la platine à cassette ou l'enregistreur MD en mode d'enregistrement.

- 3 Démarrez la source de programme sélectionnée.

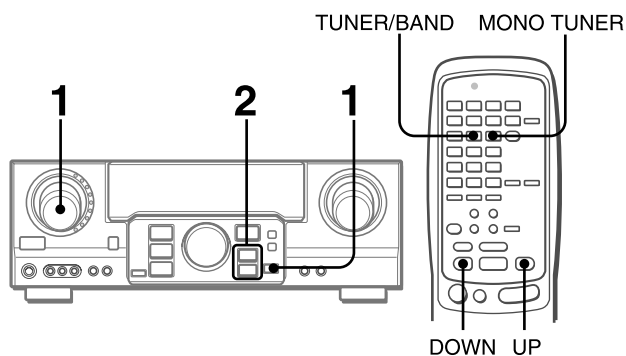
Pour contrôler le son enregistré pendant l'enregistrement (quand la platine à cassette raccordée a trois têtes)

Appuyez sur la touche TAPE MONITOR. "TAPE ON" apparaît sur l'afficheur pendant quatre secondes, puis le nom de la source sélectionnée à l'étape 1 réapparaît. Pour cesser de contrôler le son, appuyez une nouvelle fois sur la touche pour que "TAPE OFF" apparaisse.

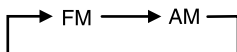
REMARQUE

- Aucun système de contrôle du son n'agit sur l'enregistrement (voir page 8).
- Le son fourni aux prises DIGITAL IN ne peut pas être enregistré. Quand vous enregistrez le son du lecteur DVD, CD, MD ou LD, raccordez les prises analogiques AUDIO OUT du lecteur aux prises correspondantes AUDIO IN de l'ampli-tuner. Le son sera enregistré en stéréo sur 2 canaux.
- Pour enregistrer des sources audio à l'aide de l'enregistreur MD raccordé aux bornes VIDEO 1/DVD/MD AUDIO OUT, la source vidéo sélectionnée (voir page 11) doit être V2 ou V3. L'enregistrement ne peut se faire si V1 (VIDEO 1) est sélectionné et affiché dans la fenêtre.
- Le son fourni par la platine à cassette raccordé aux prises TAPE MONITOR IN ne peut pas être enregistré.

ACCORD MANUEL



- 1** Tournez **FUNCTION** pour sélectionner la fonction **TUNER** et appuyez plusieurs fois de suite sur **DIGITAL/ANALOG/BAND** pour sélectionner la bande voulue.



La fréquence est indiquée après le nom de la gamme et de la source vidéo (V1, V2 ou V3) pendant deux secondes.

- 2** Appuyez sur la touche **^** ou **v** pour choisir une station.

A chaque pression sur la touche, la fréquence change. Quand vous recevez une station, "TUNE" est affiché pendant deux secondes. Pendant la réception stéréo FM, ((Ⓜ)) est affiché.



REMARQUE

Pour choisir une station avec la télécommande, mettez dans un premier temps des stations en mémoire (voir page suivante). Sélectionnez ensuite la bande radio à l'aide de la touche TUNER/BAND puis la station à l'aide des touches UP ou DOWN.

Pour rechercher une station rapidement sur l'appareil principal (recherche automatique)

Continuez d'appuyer sur la touche **^** ou **v** jusqu'à ce que le tuner commence à rechercher une station. La recherche s'interrompt dès qu'une station est trouvée.

Pour arrêter la recherche automatique, appuyez sur la touche **^** ou **v**.

- La recherche automatique peut ne pas s'arrêter sur les stations dont le signal est trop faible.

Quand une émission FM stéréo est parasitée

Appuyez sur la touche MONO TUNER de la télécommande pour que "MONO" apparaisse sur l'afficheur.

Le bruit est réduit, mais la réception est monophonique.



Pour restaurer la réception stéréo, appuyez sur la touche de façon à ce que "STEREO" apparaisse.

Si la réception est parasitée

Eloignez l'appareil des autres appareils électriques, surtout des appareils audionumériques, ou éteignez les appareils qui génèrent des parasites.

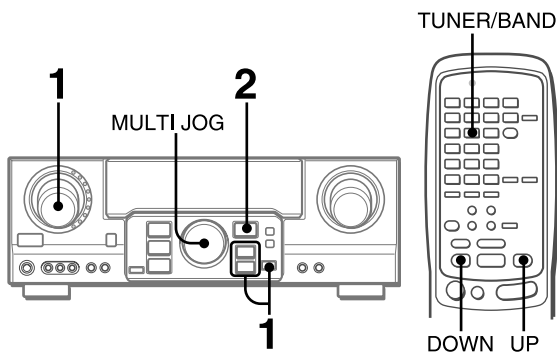
Pour changer l'intervalle d'accord AM

Le réglage par défaut de l'intervalle d'accord AM est de 10 kHz. Si vous utilisez cet ampli-tuner dans un pays où l'attribution des fréquences est de 9 kHz, changez l'intervalle d'accord.

Tout en tenant la touche DIGITAL/ANALOG/BAND enfoncée, appuyez sur l'interrupteur POWER.

Pour revenir à l'intervalle initial, refaites les mêmes opérations.

PREREGLAGÉ DES STATIONS



L'ampli-tuner peut mémoriser en tout 32 stations. Quand une station est mémorisée, un numéro de préréglage est affecté à cette station. Utilisez le numéro de préréglage pour accorder directement la station préréglée.

1 Tournez FUNCTION pour sélectionner la fonction TUNER et appuyez plusieurs fois de suite sur la touche DIGITAL/ANALOG/BAND pour sélectionner la bande désirée. Appuyez ensuite sur la touche ^ ou v pour sélectionner une station.

2 Appuyez sur ENTER pour enregistrer la station.

Un numéro de présélection assigné à la station, à commencer par 1 dans l'ordre consécutif pour chaque bande, apparaît dans la fenêtre d'affichage pendant deux secondes.



3 Refaites les opérations 1 et 2.

Aucune station supplémentaire ne sera stockées et "FULL" apparaîtra si un total de 32 stations a déjà été sauvegardé pour toutes les bandes.

REMARQUE

Quand vous changez l'intervalle d'accord AM, toutes les stations préréglées sont supprimées. Vous devez les préréglés une nouvelle fois.

ACCORD DES STATIONS PREREGLEES

1 Tournez FUNCTION pour sélectionner la fonction TUNER et appuyez plusieurs fois de suite sur la touche DIGITAL/ANALOG/BAND pour sélectionner une bande.

2 Tournez MULTI JOG pour sélectionner un numéro préréglé.

Pour supprimer une station préréglée

Sélectionnez le numéro de présélection de la station à effacer. Appuyez ensuite sur la touche ENTER et appuyez de nouveau sur cette touche dans les quatre secondes qui suivent.

Le numéro de toutes les autres stations préréglées suivantes dans cette bande diminuent d'une unité.

Avec la télécommande

1 Appuyez sur la touche TUNER/BAND pour sélectionner la bande radio désirée.

2 Appuyez sur la touche UP ou DOWN pour sélectionner un numéro de présélection.

Cet appareil est équipé d'un décodeur Dolby Pro Logic, décodeur Dolby Digital et décodeur DTS.

L'ampli-tuner combiné aux enceintes surround et à l'enceinte centrale (standard) assurent un véritable son cinématographique. A la lecture de disques ou cassettes vidéo enregistrés avec le système Dolby Pro Logic, Dolby Digital surround ou DTS surround, un son extrêmement réaliste enveloppe l'auditeur et crée un divertissement audiovisuel inédit.

Le réglage indépendant des cinq canaux permet à l'auditeur de bénéficier d'un son tel que l'on peut en faire l'expérience au cinéma. Les voix sont reproduites par le champ sonore avant et central, tandis que l'ambiance, par exemple bruits de voitures ou de la foule, enveloppe de toute part et recrée une atmosphère incroyablement réaliste. Veuillez lire attentivement ce qui suit pour "accorder" la sortie du système en fonction des caractéristiques de votre salle d'écoute.

Vérifiez les points suivants:

- Avant d'obtenir un son DOLBY surround ou DTS surround, ajustez les niveaux sonores des enceintes pour que la balance soit correcte. (voir page 16).
- Assurez-vous que les enceintes ont été raccordées et installées correctement (voir pages 4 et 5).
- Assurez-vous que le téléviseur et l'appareil vidéo sont raccordés correctement (voir page 3).
- Assurez-vous que le disque ou la cassette vidéo, etc. sont enregistrés avec le système Dolby Pro Logic, Dolby Digital surround ou DTS surround.

SELECTION DU DOLBY SURROUND

Les modes et réglages optimaux du Dolby Digital surround et Dolby Pro Logic dépendent du type et de l'emplacement des enceintes.

Nous conseillons d'utiliser des haut-parleurs AIWA en option tels que des SX-AVR2900 pour tous les canaux.

Vérifiez le type d'enceintes utilisées et leur emplacement, puis sélectionnez le mode en conséquence.

Mode conseillé

[Dolby Digital surround]

	Enceinte centrale		
	Grande dimension	Petite dimension	Sans enceinte
Enceintes surround (enceintes arrière)	DOLBY D-WIDE	DOLBY D-NORMAL	PHANTOM
Sans enceintes surround	3 STEREO-WIDE	3 STEREO-NORMAL	2chSTEREO

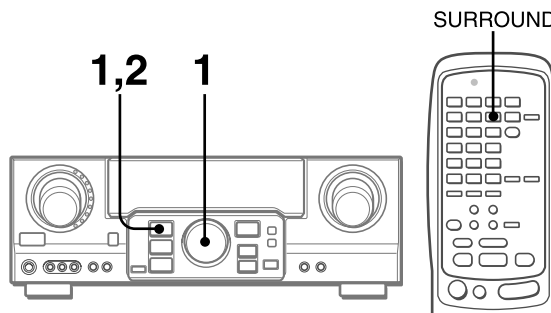
[Dolby Pro Logic]

	Enceinte centrale		
	Grande dimension	Petite dimension	Sans enceinte
Enceintes surround (enceintes arrière)	PRO LOGIC-WIDE	PRO LOGIC-NORMAL	PHANTOM
Sans enceintes surround	3 STEREO-WIDE	3 STEREO-NORMAL	-

Mode PHANTOM: Sélectionnez ce mode si vous ne raccordez pas d'enceinte centrale. Les signaux du canal central sont redistribués sur les enceintes avant gauche et droite.

Mode 3 STEREO: Sélectionnez ce mode si vous ne raccordez pas d'enceintes surround.

POUR SELECTIONNER UN MODE DOLBY SURROUND



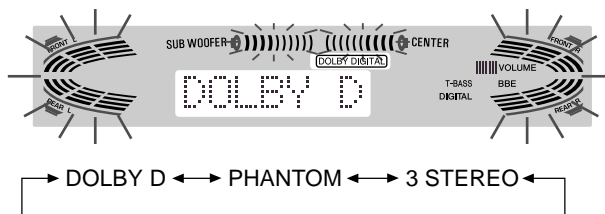
Préparatifs

- Pour sélectionner un mode Dolby Digital Surround, choisissez la fonction VIDEO 1 (DIGITAL), VIDEO 2 (DIGITAL) ou VIDEO 3 (DIGITAL) (voir page 12) et reproduisez un disque enregistré en Dolby Digital Surround avant de sélectionner le mode.
- Pour sélectionner un mode Dolby Pro Logic, sélectionnez la fonction sauf VIDEO 1 (DIGITAL), VIDEO 2 (DIGITAL) et VIDEO 3 (DIGITAL).

1 Appuyez sur la touche SURROUND et tournez MULTI JOG pour sélectionner le mode approprié.

Le nom du mode sélectionné apparaît sur l'afficheur.

[Dolby Digital surround]

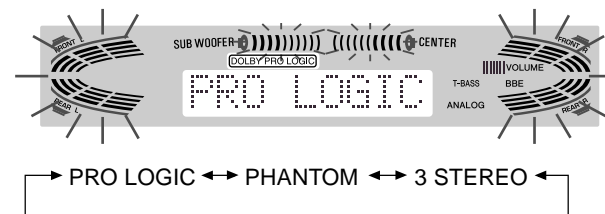


Pour sélectionner le mode 2chSTEREO, appuyez plusieurs fois de suite sur la touche SURROUND jusqu'à ce que "2chSTEREO" apparaisse.

REMARQUE

Sélectionnez le mode Dolby Digital Surround pendant la lecture d'une source enregistrée en Dolby Digital Surround.

[Dolby Pro Logic]



2 Appuyez une nouvelle fois sur la touche SURROUND et tenez la touche enfoncée jusqu'à ce que le mode d'enceinte centrale que vous voulez sélectionner apparaisse. (Excepté les modes 2chSTEREO et PHANTOM.)

"NORMAL" et "WIDE" apparaissent tour à tour sur l'afficheur.

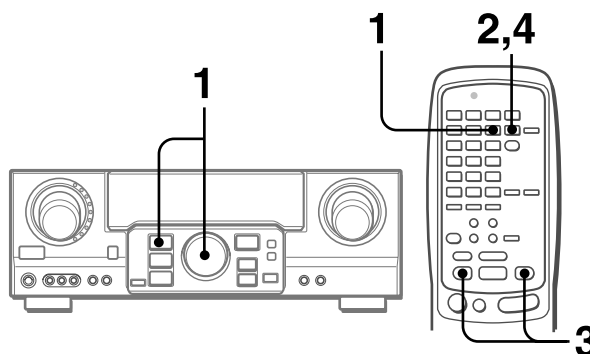
Pour commander le système avec la télécommande

Appuyez plusieurs fois de suite sur la touche SURROUND pour sélectionner le mode et maintenez-la enfoncée pour sélectionner le mode de haut-parleur central.

REMARQUE

- Avec certaines sources sonores ou dans certaines conditions d'écoute, vous n'obtiendrez pas l'effet surround bien que Dolby Digital surround ou le Dolby Pro Logic ait été sélectionné.
- L'effet Dolby Digital surround ou Dolby Pro Logic ne peut pas être obtenu avec les disques non enregistrés en Dolby Digital surround ou Dolby Pro Logic. Dans ce cas, utilisez à la place le système surround DSP (voir page 10).
- Quand un casque est branché:
 - Le système Dolby Pro Logic est automatiquement annulé.
 - Le mode Dolby Digital surround est automatiquement remplacé par "2chSTEREO".
- Quand un casque est branché:
 - Le Dolby Pro Logic ne peut pas être activé.
 - Le mode Dolby Digital surround ne peut être changé.
- Le système Dolby Pro Logic est automatiquement annulé est ne peut pas être activé lorsque le signal d'entrée est 96 kHz.

REGLAGE DE LA BALANCE DU NIVEAU DES ENCEINTES



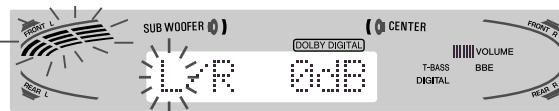
L'ampli-tuner intègre un générateur de signaux d'essai appelé séquenceur de bruit pour faciliter le réglage de la balance des cinq canaux.

Le séquenceur fournit un signal qui passe d'un canal à l'autre, permettant ainsi d'effectuer simplement un réglage du niveau sonore pour obtenir le même niveau apparent pour chaque canal à la position d'écoute.

1 Sélectionnez le mode Dolby Digital surround (sauf "2chSTEREO") ou Dolby Pro Logic en fonction de la configuration actuelle des enceintes.

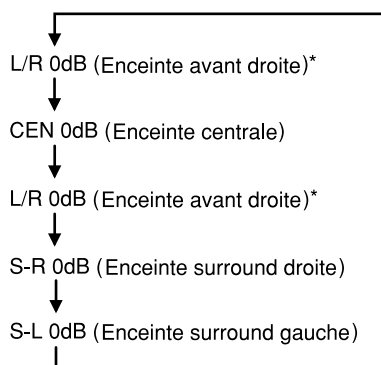
(Voir page 15.)

2 Maintenez la touche MANUAL SELECT de la télécommande enfoncée pendant environ deux secondes jusqu'à ce que "L" de "L/R 0dB" se mette à clignoter.

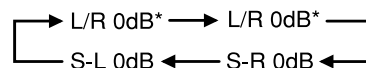


Un signal est envoyé à chaque canal dans l'ordre suivant:

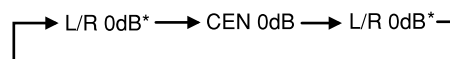
Mode DOLBY D (PRO LOGIC) NORMAL ou WIDE



Mode PHANTOM



Mode 3 STEREO NORMAL ou WIDE

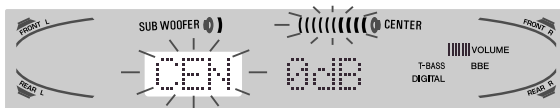


* "L" ou "R" clignote pour indiquer l'enceinte avant d'où sort le bruit rose.

Continuer page suivante

3 Ajustez le niveau sonore de l'enceinte centrale et des enceintes surround.

Lorsque "CEN", "S-L" ou "S-R" clignote dans l'afficheur, appuyez sur la touche UP ou DOWN de la télécommande de façon à ce que le niveau sonore du haut-parleur central ou des haut-parleurs corresponde à celui des enceintes avant.



La balance des enceintes avant peut être également ajustée quand "L/R" est affiché.

REMARQUE

La touche \wedge ou \vee de l'appareil principal ne peut être utilisée.

4 Appuyez une nouvelle fois sur la touche MANUAL SELECT pour arrêter le signal.

REMARQUE

Lors du réglage de la balance des niveaux d'enceintes dans le mode Dolby Digital surround, le niveau du Dolby Pro Logic est également changé et inversement.

A propos des canaux

Les enceintes gauche et droite créent l'effet stéréo.

Le haut-parleur central permet un positionnement précis du son dans un vaste champ sonore.

Les enceintes surround arrière augmentent la "profondeur" du champ sonore.

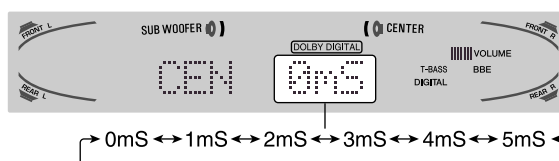
Pour changer le temps de retard des enceintes surround ou de l'enceinte centrale quand le mode Dolby Digital surround ou Dolby Pro Logic est utilisé

Quand le mode Dolby Digital surround (excepté "2chSTEREO") ou Dolby Pro Logic est activé, appuyez plusieurs fois de suite sur la touche MANUAL SELECT de la télécommande de façon à ce que "CEN 0mS" ou "SUR 5mS" (SUR 20mS) s'affiche. Appuyez ensuite dans les quatre secondes sur la touche \wedge (UP) ou \vee (DOWN) ou tournez MULTI JOG. Le temps de retard change de la façon suivante.

[Enceinte centrale]

Ajustez le temps de retard de sorte que les répliques (voix dans un film) soient nettes et naturelles.

Le temps de retard de l'enceinte centrale a été réglé initialement sur 0 ms (millisecondes). Il peut être réglé entre 0 et 5 ms par paliers de 1 ms.



[Enceintes surround]

Ajustez le temps de retard selon vos préférences.

Dolby Digital surround

Le temps de retard des enceintes a été initialement réglé sur 5 ms. Il peut être réglé entre 0 et 15 ms par paliers de 5 ms.

Dolby Pro Logic

Le temps de retard des enceintes a été initialement réglé sur 20 ms. Il peut être réglé entre 15 et 30 ms par paliers de 5 ms.

REMARQUE

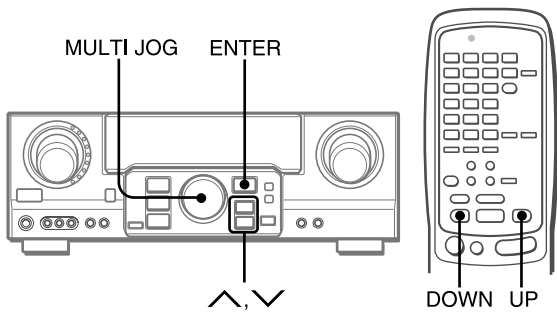
- Quand vous ajustez le temps de retard des enceintes surround ou de l'enceinte centrale pour le Dolby Digital surround, celui du Dolby Pro Logic change aussi, et vice versa.
- Quand le temps de retard des enceintes surround du Dolby Digital surround est réglé sur 0 ms (5 ms, 10 ms ou 15 ms) celui du Dolby Pro Logic est réglé sur 15 ms (20 ms, 25 ms ou 30 ms), et inversement.

Pour ajuster la balance des niveaux d'enceintes pendant l'écoute de la source

La balance des niveaux des enceintes peut être changée après le réglage avec le séquenceur de bruit. La balance peut être changée quand le système Dolby Digital surround ou Dolby Pro Logic est activé.

- 1 Reproduisez un disque ou une cassette vidéo enregistré avec le Dolby Pro Logic ou Dolby Digital surround.
- 2 Appuyez plusieurs fois de suite sur la touche MANUAL SELECT de la télécommande de façon à ce que "L/R", "CEN", "S-L" ou "S-R" apparaisse sur l'afficheur.
- 3 Appuyez sur la touche \wedge (UP) ou \vee (DOWN) ou tournez MULTI JOG pendant que le nom de l'enceinte à régler est affiché.

REGLAGE DU SON DOLBY DIGITAL SURROUND



REGLAGE DE L'EFFET SONORE DANS LES BASSES FRÉQUENCES (LFE)

Les disques enregistrés avec le système Dolby Digital surround contiennent des signaux spéciaux, appelés LFE, qui servent à amplifier l'effet sonore dans les basses fréquences. Les signaux LFE sont enregistrés sur certaines parties du disque et fournis par le caisson de grave raccordé pour produire un son grave omniprésent.

Le niveau sonore des signaux LFE peut être ajusté en fonction des enceintes raccordées quand le Dolby Digital surround est activé.

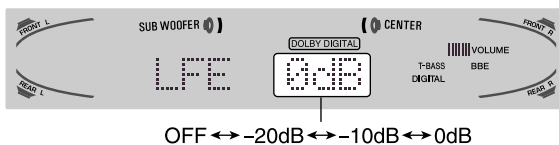
Préparation

- Lors du raccordement d'un haut-parleur d'extrêmes graves, sélectionnez "SUBW ON" (voir page 5).
- Lisez un disque enregistré en Dolby Digital Surround.

1 Appuyez sur la touche \wedge (UP) ou \vee (DOWN) et maintenez la pression jusqu'à ce que "LFE" soit affiché.

2 Appuyez plusieurs fois de suite sur la touche \wedge (UP) ou \vee (DOWN) ou tournez MULTI JOG pour ajuster le niveau LFE.

L'appareil a été initialement réglé sur 0 dB (maximum) et peut être ajusté de la façon suivante.

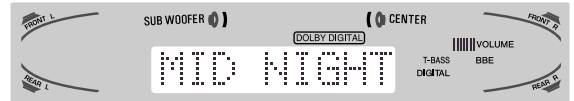


Lors de la sélection de "SUBW OFF", les signaux LFE sont répartis sur d'autres haut-parleurs.

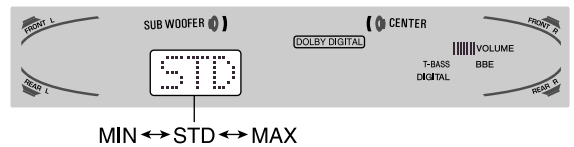
REGLAGE DE LA PLAGE DYNAMIQUE

La plage dynamique du Dolby Digital surround peut être ajustée. Cet appareil a été réglé initialement sur le mode "STD" (standard).

1 Lorsque le mode surround Dolby Digital est activé, appuyez sur la touche ENTER et maintenez-la enfoncée jusqu'à ce que "MID NIGHT THEATER" défile sur l'affichage.



2 Appuyez sur la touche \wedge (UP) ou \vee (DOWN) ou tournez MULTI JOG pour sélectionner le mode "MAX", "STD" ou "MIN".



[MIN]

Vous pouvez bénéficier de toute la plage dynamique du son comme au cinéma.

[STD]

Position originale. C'est la position recommandée par les producteurs de films pour la lecture domestique.

[MAX]

Sélectionnez ce mode lors d'une lecture à faible volume. Il s'agit du mode utilisé avec le réglage de nuit.

SELECTION DU DTS SURROUND

Les modes et réglages optimaux du DTS surround dépendent du type et de l'emplacement des enceintes. Nous conseillons d'utiliser des haut-parleurs Aiwa en option tels que des SX-AVR2900 pour tous les canaux. Vérifiez le type d'enceintes utilisées et leur emplacement, puis sélectionnez le mode en conséquence.

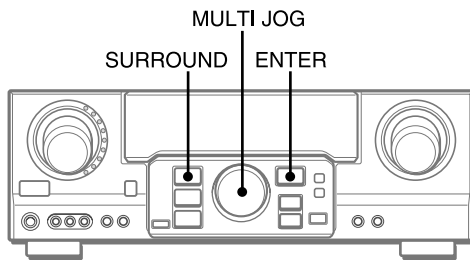
Mode conseillé

	Enceinte centrale	Pas de haut-parleur central
Enceintes surround (enceintes arrière)	5.1ch	4 ch
Sans enceintes surround	3 STEREO	2ch STEREO

Mode 4 ch: Sélectionnez ce mode si vous ne raccordez pas d'enceinte centrale. Les signaux du canal central sont redistribués sur les enceintes avant gauche et droite.

Mode 3 STEREO: Sélectionnez ce mode si vous ne raccordez pas d'enceintes surround.

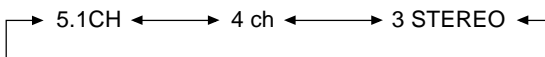
POUR SÉLECTIONNER UN MODE DTS SURROUND



Préparatifs

Lors de la sélection d'un mode surround DTS, sélectionnez la fonction DIGITAL et lancez la lecture d'un disque enregistré au format surround DTS avant de sélectionner le mode.

- 1 Appuyez sur la touche SURROUND et tournez MULTI JOG pour sélectionner le mode approprié. Le nom du mode sélectionné apparaît sur l'afficheur.



Pour sélectionner le mode 2chSTEREO, appuyez plusieurs fois de suite sur la touche SURROUND jusqu'à ce que "2chSTEREO" apparaisse.

Avant de reproduire un disque, ajustez la balance des haut-parleurs en mode Dolby Digital ou Dolby Pro Logic comme décrit à la page 16.

Pour régler la balance tout en écoutant la source, reportez-vous à la colonne de droite à la page 17 et suivez les étapes 2 et 3. Le décalage des haut-parleurs centraux et surround ne peut pas être ajusté en mode surround DTS.

REMARQUE

- Avec certaines sources sonores ou dans certaines conditions d'écoute, vous n'obtiendrez pas l'effet surround bien que DTS surround ait été sélectionné.
- L'effet DTS surround ne peut pas être obtenu avec les disques non enregistrés en DTS surround. Dans ce cas, utilisez à la place le système surround DSP (voir page 10).
- Quand un casque est branché, le mode DTS surround est automatiquement remplacé par "2chSTEREO".
- Quand un casque est branché, le mode DTS surround ne peut être changé.

POUR ÉCOUTER LE SON DTS ORIGINAL

Lorsque DTS apparaît dans la fenêtre d'affichage, tous les réglages du son peuvent être annulés pour le son DTS.

- 1 Lorsque le mode surround DTS est activé, appuyez sur la touche ENTER et maintenez-la enfoncée jusqu'à ce que "BYPASS OFF" défile sur l'affichage.



- 2 Appuyez de nouveau sur la touche ENTER de manière à afficher "BYPASS ON".



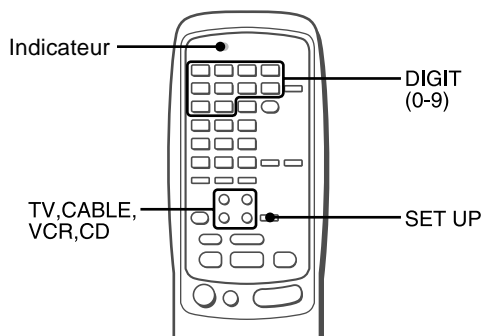
Pour restaurer les réglages du son

Répétez les étapes 1 et 2 de manière à ce que l'indication "BYPASS OFF" apparaisse.

FONCTIONNEMENT D'UN TELEVISEUR ORDINAIRE, TELEVISEUR RACCORDE AU CABLE, MAGNETOSCOPE ET LECTEUR CD

Avec la télécommande, vous pouvez aussi faire fonctionner un téléviseur, un téléviseur raccordé au câble, magnétoscope et lecteur CD.

POUR ENTRER LE CODE ID D'UN APPAREIL EXTERIEUR



Avant d'essayer de faire fonctionner un appareil extérieur vous devez programmer son code ID sur la télécommande de la façon suivante.

1 Vérifiez le code ID de l'appareil extérieur.

Reportez-vous à la liste de codes ID dans "ANNEXE" à la fin de ce manuel.

2 Appuyez sur la touche TV, CABLE, VCR ou CD dans la section MODE SELECT.

REMARQUE

Lors de la saisie d'un code ID d'un satellite DSS, appuyez sur la touche CABLE.

3 Appuyez pendant environ 3 secondes sur la touche SET UP.

Assurez-vous que l'indicateur clignote deux fois quand vous appuyez sur la touche SET UP.

4 Appuyez sur les quatre touches DIGIT qui correspondent au code ID de l'équipement externe.

Par exemple, si le lecteur CD est un modèle AIWA, qui a le code ID 0124 ou 0157, appuyez sur les touches DIGIT "0", "1", "2" et "4" (ou "0", "1", "5" et "7") dans l'ordre.

Après la saisie du quatrième DIGIT, l'indicateur clignote pour indiquer que le code ID est correct et qu'il est stocké sur la télécommande.

Pour vérifier le code ID programmé

Vous pouvez vérifier le code ID en comptant le nombre de clignotements de l'indicateur.

1 Appuyez sur la touche TV, CABLE, VCR ou CD.

Par exemple, pour vérifier le code programmé pour un lecteur CD, appuyez sur CD.

2 Appuyez pendant environ 3 secondes sur la touche SET UP.

3 Appuyez sur "9", "9" et "0".

4 Appuyez sur "1" et comptez le nombre de clignotements de l'indicateur.

Par exemple, si le code "0157" a été programmé. L'indicateur ne clignote pas.

5 Appuyez sur "2" et comptez le nombre de clignotements de l'indicateur.

L'indicateur clignote une fois.

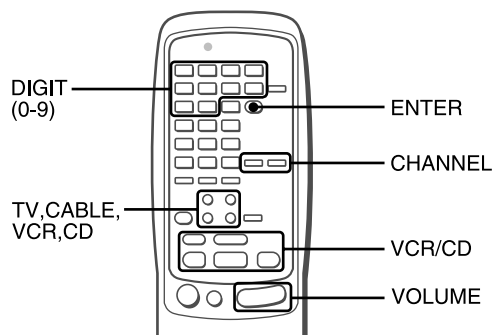
6 Appuyez sur "3" et comptez le nombre de clignotements de l'indicateur.

L'indicateur clignote cinq fois.

7 Appuyez sur "4" et comptez le nombre de clignotements de l'indicateur.

L'indicateur clignote sept fois.

POUR FAIRE FONCTIONNER UN TELEVISEUR, TELEVISEUR RACCORDE AU CABLE, MAGNETO-SCOPE ET LECTEUR CD



1 Appuyez sur une touche de la section MODE SELECT (TV, CABLE, VCR ou CD)

La télécommande est prête pour faire fonctionner l'appareil du mode sélectionné.

2 Appuyez sur une des touches indiquées ci-dessous.

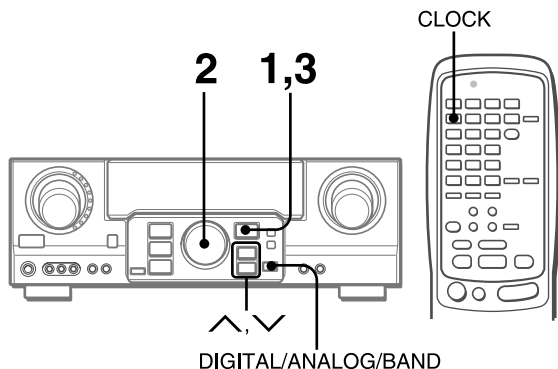
Pour l'utilisation des touches numériques (0 à 9) et ENTER, reportez-vous au mode d'emploi fourni avec l'appareil à contrôler.

Les autres touches mentionnées ci-dessus ont les mêmes fonctions que celles de l'appareil à contrôler.

REMARQUE

- Réentrez le code ID de l'appareil extérieur après avoir remplacé les piles de la télécommande.
- S'il existe plusieurs codes ID pour l'appareil extérieur dans "ANNEXE", essayez d'entrer les codes ID les uns après les autres jusqu'à ce que parveniez à faire fonctionner l'appareil.

REGLAGE DE L'HORLOGE



Quand le cordon secteur est raccordé au secteur pour la première fois, l'horloge clignote sur l'afficheur.

Réglez-la de la façon suivante quand l'ampli-tuner est éteint.

1 Appuyez sur la touche ENTER.

L'afficheur devient légèrement plus lumineux.



2 Dans les 4 secondes, tournez MULTI JOG pour désigner l'heure et la minute.

L'heure avance lorsque vous tournez vers la droite et diminue lorsque vous tournez vers la gauche.

La touche \wedge ou \vee de l'appareil principal est également disponible. Appuyez plusieurs fois de suite sur la touche.

Maintenez-la enfoncée pour changer l'heure rapidement par incréments de 10 minutes.

3 Appuyez sur la touche ENTER.

L'horloge démarre à partir de 00 seconde.

REMARQUE

Lors du premier réglage de l'horloge après l'achat

Toutes les indications de la fenêtre d'affichage disparaissent. La raison en est que le mode d'économie d'énergie de l'appareil est activé; il ne s'agit pas d'un dysfonctionnement. Le mode d'économie d'énergie peut être annulé. Pour plus de détails, voir page 7.

Pour remettre l'horloge à l'heure

Appuyez sur l'interrupteur POWER pour mettre l'ampli-tuner hors tension. Exécutez les étapes 1 à 3 ci-dessus.

Pour afficher l'heure actuelle

Appuyez sur la touche CLOCK de la télécommande. L'heure est affichée pendant 4 secondes.

Lorsque l'alimentation est coupée en mode d'économie d'énergie, le fait d'appuyer sur la touche ENTER sur l'appareil permet d'afficher l'heure pendant quatre secondes.

Pour passer au standard de 24 heures

Affichez l'heure actuelle et appuyez sur la touche DIGITAL/ANALOG/BAND de l'appareil dans les 4 secondes.

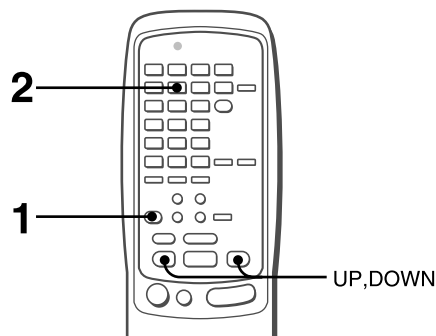
Répétez la même opération pour rétablir le standard de 12 heures. Dans le standard 12 heures, "AM 12:00" indique minuit et "PM12:00" indique midi.

Si l'affichage de l'heure clignote quand l'ampli-tuner est hors tension

Il y a eu une interruption de courant. L'horloge doit être remise à l'heure.

Si l'alimentation est interrompue pendant plus de 24 heures, tous les réglages mémorisés après l'achat doivent être de nouveau effectués.

REGLAGE DE LA MINUTERIE D'ARRET



L'ampli-tuner peut être automatiquement mis hors tension à une heure précise.

1 Appuyez sur la touche AIWA RECEIVER.

2 Appuyez sur la touche SLEEP.



L'appareil se mettra hors tension dans les 60 minutes qui suivent.

Pour désigner le temps de fonctionnement jusqu'à la mise hors tension

Appuyez plusieurs fois de suite sur la touche UP et DOWN dans les quatre secondes qui suivent l'étape 2.

A chaque pression sur la touche, le temps change par incréments de 5 minutes de 5 à 240 minutes.



Temps désigné

Pour vérifier le temps restant jusqu'à la mise hors tension

Appuyez une fois sur la touche SLEEP. Le temps restant est affiché pendant quatre secondes.

Pour arrêter la minuterie

Appuyez deux fois sur la touche SLEEP de façon à ce que "SLEEP" apparaisse sur l'afficheur.

SPECIFICATIONS

Section Tuner FM

Plage d'accord	87,5 MHz à 108 MHz
Sensibilité utilisable (IHF)	13,2 dBf
Bornes d'antenne	75 ohms (asymétrique)

Section Tuner AM

Plage d'accord	530 kHz à 1710 kHz (intervalle de 10 kHz), 531 kHz à 1602 kHz (intervalle de 9 kHz)
Sensibilité utilisable	350 µV/m
Antenne	Antenne cadre

Section Amplificateur

Puissance de sortie	[Mode stéréo]
	Avant 170 watts par canal, minimum RMS à 8 ohms, de 40 Hz à 20 kHz, avec moins de 0,9 % de distorsion harmonique totale
	[Mode Dolby-Digital Surround ou Dolby Pro Logic]
	Avant 120 watts par canal, minimum RMS à 8 ohms, de 40 Hz à 20 kHz, avec moins de 0,9 % de distorsion harmonique totale
	Arrière (Surround)
	120 watts par canal, minimum RMS à 8 ohms, 1 kHz, avec moins de 0,9 % de distorsion harmonique totale
	Centre
	120 watts, minimum RMS à 8 ohms, 1 kHz, avec moins de 0,9 % de distorsion harmonique totale
Distorsion harmonique totale	0,08 % (85 W, 1 kHz, 8 ohms, Enceintes avant)
	Entrées
	AUDIO IN
	PHONO: 2,5 mV, réglable (47 kohms)
	CD, VIDEO 1/DVD/MD, VIDEO 2/LD/TV, VIDEO 3: 300 mV, réglable (47 kohms)
	TAPE MONITOR: 350 mV, réglable (47 kohms)
	AUX: 230 mV, réglable (47 kohms)
	DIGITAL IN
	COAXIAL (VIDEO 2):
	OPTICAL (VIDEO 1):
	OPTICAL (VIDEO 3):
	accepte des signaux PCM linéaires et le train de bit du Dolby Digital et DTS Surround (32 kHz, 44.1 kHz, 48 kHz et 96 kHz)
	VIDEO IN: 1 Vc-c (75 ohms)

Sorties

AUDIO OUT (REC OUT): 300 mV (1 kohm)
VIDEO OUT (MONITOR): 1 Vc-c (75 ohms)
SUB WOOFER: 5,0 V
FRONT SPEAKERS IMP: 8Ω/4Ω au choix (enceintes avant A et B): avec SPEAKER IMPEDANCE SELECTOR réglé sur 4Ω, accepte des enceintes de 4 ohms avec SPEAKER IMPEDANCE SELECTOR réglé sur 8Ω, accepte des enceintes de 8 ohms ou plus
SURROUND SPEAKERS IMP: 8Ω (enceintes surround): accepte des enceintes de 8 ohms ou plus
CENTER SPEAKER IMP: 8Ω/4Ω au choix avec SPEAKER IMPEDANCE SELECTOR réglé sur 4Ω, accepte des enceintes de 4 ohms. avec SPEAKER IMPEDANCE SELECTOR réglé sur 8Ω, accepte des enceintes de 8 ohms ou plus.
PHONES (jack stéréo): accepte un casque de 32 ohms ou plus -20 dB

Coupure du son

Généralités

Alimentation	Secteur 120 V, 60 Hz
Consommation	270 W
Consommation en mode de veille	ECO OFF: 55 W ECO ON: 1,4 W
Dimensions (l/h/p)	430 × 155 × 402 mm (17 × 6 ¹ / ₈ × 15 ⁷ / ₈ po.)
Poids	12,5 kg (27 li. 9 on.)

La conception et les spécifications peuvent être modifiées sans préavis.

BBE SYSTEM

Le mot "BBE" et le logo "BBE" sont des marques de BBE Sound, Inc.

Sous licence de BBE Sound, Inc.

- Fabriqué sous licence de Dolby Laboratories. "Dolby", "Pro Logic" et le symbole du double D sont des marques de fabrique de Dolby Laboratories. Travaux confidentiels et non publiés. ©1992-1997 Dolby Laboratories, Inc. Tous droits réservés.
- Fabriqué sous licence de Digital Theater Systems, Inc. Brevet américain n° 5.451.942 et d'autres brevets octroyés et en instance dans le monde. "DTS" et "DTS Digital surround" sont des marques commerciales de Digital Theater Systems, Inc. ©1996 Digital Theater Systems, Inc. Tous Droits Réservés.

SOIN ET ENTRETIEN

Un entretien occasionnel de l'ampli-tuner est indispensable pour garantir des performances optimales.

Pour nettoyer le coffret

Utilisez un chiffon doux et sec.

Si la surface est extrêmement sale, utilisez un chiffon légèrement imprégné d'une solution détergente neutre. Ne pas utiliser de solvants puissants, tels que l'alcool, la benzine et du diluant, car ils pourraient abîmer la finition.

EN CAS DE PANNE

Si l'ampli-tuner ne fonctionne pas comme décrit dans le mode d'emploi, vérifiez les points suivants.

GENERAL

Aucun son.

- Est-ce que le cordon secteur est raccordé correctement?
- Est-ce qu'un raccordement n'est pas exact? (→ pages 3 et 4)
- Est-ce qu'il y a un court-circuit au niveau des bornes d'enceintes?
→ Débranchez le cordon secteur, puis raccordez correctement l'enceinte.
- Est-ce que vous avez appuyé sur une mauvaise touche?
- Avez-vous appuyé sur la touche TAPE MONITOR?
- Est-ce que les touches FRONT SPEAKERS A et B sont réglées correctement? (→ page 7)

Son émis par une enceinte seulement.

- Est-ce que la balance BALANCE est réglée correctement ?
- Est-ce que l'autre enceinte est débranchée ?

Le volume sonore est considérablement réduit.

- Est-ce que vous avez appuyé sur la touche MUTING?

Affichage erroné ou dysfonctionnement.

→ Réinitialisez l'ampli-tuner comme indiqué ci-dessous.

SECTION TUNER

Parasites électrostatiques constants.

- Est-ce que l'antenne est correctement raccordée? (→ page 5)
- Est-ce que le signal FM est faible?
→ Raccordez une antenne extérieure.

La réception contient des interférences ou le son présente de la distorsion.

- Est-ce que la chaîne capte du bruit ou est-ce qu'il y a des interférences par trajets multiples?
→ Changez l'orientation de l'antenne.
→ Eloignez l'ampli-tuner des autres appareils électriques.

Pour réinitialiser l'ampli-tuner

Si l'affichage ou le fonctionnement n'est pas normal, réinitialisez l'ampli-tuner de la manière suivante.

- 1 Appuyez sur l'interrupteur POWER pour mettre l'ampli-tuner hors tension.
- 2 Appuyez sur l'interrupteur POWER tout en tenant la touche ENTER enfoncée. Tous les pré-réglages sont effacés.

Si vous ne pouvez pas mettre l'ampli-tuner hors tension à l'étape 1 parce qu'il ne fonctionne pas normalement, réinitialisez-le en débranchant le cordon secteur et refaites l'opération 2.

NOMENCLATURE

Les instructions concernant chaque touche de l'ampli-tuner ou la télécommande se trouvent aux pages indiquées ci-dessous.

(ordre alphabétique)

Parts	Pages
AIWA RECEIVER	6, 21
AUX	11
BALANCE	8
BBE	8
CD	11, 20
CHANNEL	20
CLOCK	21
DIGITAL/ANALOG/BAND	11-14, 21
DSP	10
ECO	7
ENTER	6, 7, 9, 11, 14, 18-21, 23
FRONT SPEAKERS A, B	7
FUNCTION	6, 11-14
GEQ	9
MANUAL SELECT (TEST)	5, 10, 16, 17
MONO TUNER	13
MULTI JOG	5, 7, 9, 10-12, 14-19, 21
MUTING, MUTE	8
PHONES	7
PHONO	11
POWER	6, 7, 13, 24
RECEIVER/DIGIT	6, 20
SET UP	6, 20
SLEEP	21
SPEAKER IMPEDANCE SELECTOR	4
SURROUND	15, 16, 19
TAPE MONITOR	11, 12
T-BASS	8
TUNER BAND	13, 14
TUNER PRESET/SURROUND	6
TUNING ∇ (DOWN)	5, 6, 8-11, 13, 14, 17, 18, 21
TUNING \blacktriangle (UP)	5, 6, 8-11, 13, 14, 17, 18, 21
TV	20
VCR	20
VIDEO 1/DVD/MD	11
VIDEO 2/LD/TV	11
VIDEO 3	11
VOLUME	6, 8

Free Manuals Download Website

<http://myh66.com>

<http://usermanuals.us>

<http://www.somanuals.com>

<http://www.4manuals.cc>

<http://www.manual-lib.com>

<http://www.404manual.com>

<http://www.luxmanual.com>

<http://aubethermostatmanual.com>

Golf course search by state

<http://golfingnear.com>

Email search by domain

<http://emailbydomain.com>

Auto manuals search

<http://auto.somanuals.com>

TV manuals search

<http://tv.somanuals.com>