



**aiwa**

# Compact Disc Stereo System

**LCX-107**

**U**

For assistance and information  
**call toll free 1-800-BUY-AIWA**  
(United States and Puerto Rico)



OPERATING INSTRUCTIONS

**En** (English)

MANUAL DE INSTRUCCIONES

**E** (Español)

MODE D'EMPLOI

**F** (Français)

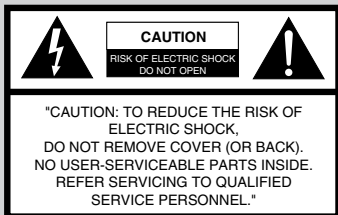


## ENGLISH PRECAUTIONS

### WARNING

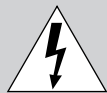
TO REDUCE THE RISK OF FIRE OR ELECTRIC SHOCK, DO NOT EXPOSE THIS APPLIANCE TO RAIN OR MOISTURE.

En



#### Explanation of Graphical Symbols:

The lightning flash with arrowhead symbol, within an equilateral triangle, is intended to alert the user to the presence of uninsulated "dangerous voltage" within the product's enclosure that may be of sufficient magnitude to constitute a risk of electric shock to persons.



The exclamation point within an equilateral triangle is intended to alert the user to the presence of important operating and maintenance (servicing) instructions in the literature accompanying the appliance.



#### OWNER'S RECORD

For your convenience, record the model number and serial number (you will find at the rear of the unit) in the space provided below. Please refer to them when you contact your AIIWA dealer in case of difficulty.

## 2 ENGLISH

Read these Operating Instructions carefully and completely before operating the unit. All precautions on this booklet and on the unit should be strictly followed. Keep the Operating Instructions for future reference.

#### Installation

**1 Water and moisture** — Do not use this unit near water, such as near a bathtub, washbowl, swimming pool, or the like.

**2 Heat** — Do not use this unit near sources of heat, including heating vents, stoves, or other appliances that generate heat. It also should not be placed in temperatures less than 5°C (41°F) or greater than 35°C (95°F).

**3 Mounting surface** — Place the unit on a flat, even surface.

**4 Ventilation** — The unit should be situated with adequate space around it so that proper heat ventilation is assured. Allow 10 cm (4 in.) clearance from the rear and the top of the unit, and 5 cm (2 in.) from each side.

- Do not place the unit on a bed, rug, or similar surface that may block the ventilation openings.
- Do not install the unit in a bookcase, cabinet, or airtight rack where ventilation may be impeded.

**5 Objects and liquid entry** — Take care that objects or liquids do not get inside the unit through the ventilation openings.

**6 Carts and stands** — When placed or mounted on a stand or cart, the unit should be moved with care. Quick stops, excessive force, and uneven surfaces may cause the unit or cart to overturn or fall.



**7 Condensation** — Moisture may form on the CD pickup lens when:

- The unit is moved from a cold spot to a warm spot
- The heating system has just been turned on
- The unit is used in a very humid room
- The unit is cooled by an air conditioner

When this unit has condensation inside, it may not function normally. Should this occur, leave the unit for a few hours, then try to operate again.

**8 Wall or ceiling mounting** — The unit should not be mounted on a wall or ceiling, unless specified in the Operating Instructions.

#### Electric Power

**1 Power sources** — Connect this unit only to power sources specified in the Operating Instructions, and as marked on the unit.

**2 Polarization** — As a safety feature, some units are equipped with polarized AC power plugs which can only be inserted one way into a power outlet. If it is difficult or impossible to insert the AC power plug into an outlet, turn the plug over and try again. If it still does not easily insert into the outlet, please call a qualified service technician to service or replace the outlet. To avoid defeating the safety feature of the polarized plug, do not force it into a power outlet.

#### 3 AC power cord

- When disconnecting the AC power cord, pull it out by the AC power plug. Do not pull the cord itself.
- Never handle the AC power plug with wet hands, as this could result in fire or shock.
- Power cords should be firmly secured to avoid being severely bent, pinched, or walked upon. Pay particular attention to the cord from the unit to the power outlet.
- Avoid overloading AC outlets and extension cords beyond their capacity, as this could result in fire or shock.

**4 Extension cord** — To help prevent electric shock, do not use a polarized AC power plug with an extension cord, receptacle, or other outlet unless the polarized plug can be completely inserted to prevent exposure of the blades of the plug.

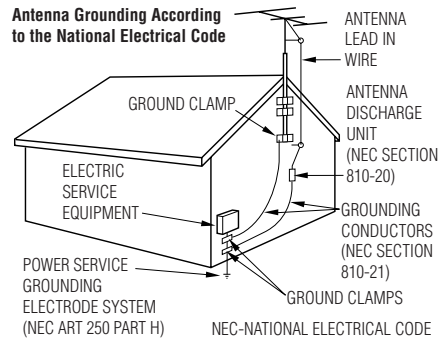
**5 When not in use** — Unplug the AC power cord from the power outlet if the unit will not be used for several months or more. When the cord is plugged in, a small amount of current continues to flow to the unit, even when the power is turned off.



### Outdoor Antenna

**1 Power lines** — When connecting an outdoor antenna, make sure it is located away from power lines.

**2 Outdoor antenna grounding** — Be sure the antenna system is properly grounded to provide protection against unexpected voltage surges or static electricity build-up. Article 810 of the National Electrical Code, ANSI/NFPA 70, provides information on proper grounding of the mast, supporting structure, and the lead-in wire to the antenna discharge unit, as well as the size of the grounding unit, connection to grounding terminals, and requirements for grounding terminals themselves.



### Maintenance

Clean the unit only as recommended in the Operating Instructions.

### Damage Requiring Service

Have the units serviced by a qualified service technician if:

- The AC power cord or plug has been damaged
- Foreign objects or liquid have gotten inside the unit
- The unit has been exposed to rain or water
- The unit does not seem to operate normally
- The unit exhibits a marked change in performance
- The unit has been dropped, or the cabinet has been damaged

**DO NOT ATTEMPT TO SERVICE THE UNIT YOURSELF.**

## TABLE OF CONTENTS

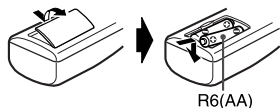
PRECAUTIONS .....	2
PREPARATIONS .....	4
TUNER OPERATION .....	5
CD OPERATION .....	6
TAPE OPERATION .....	7
GENERAL .....	8

En

## PREPARATIONS

### Remote Control

Insert two R6 (size AA) batteries



En

- When the reach of the remote control signal is less than 5 meters (16 feet), replace the batteries.
- Remove the batteries to prevent possible electrolyte leakage if the unit is not going to be used for a long period.
- The remote control may not operate correctly when:
  - The unit is exposed to intense light, such as direct sunlight.
  - Objects block the remote control signal to the unit.

### To use the buttons on the remote control

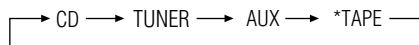
Buttons on the remote control and the main unit with identical indications have the same functions (except for tape operation).

### To turn the power on and off

Press POWER. When one of the deck operation buttons is pressed, this button will not turn the power off.

### To use the FUNCTION button

Each time FUNCTION is pressed while the power is on, the function is selected cyclically.



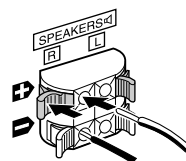
\* applicable when one of the deck operation buttons is pressed

### Connections

The rated voltage of the unit, shown on the rear panel, is 120 V AC. Check that it matches your local voltage.

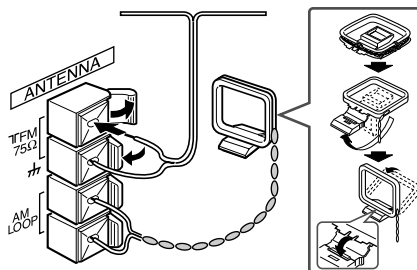
#### 1 Connect the speakers.

Connect the right speaker to the R terminals, and the left speaker to the L terminals on the rear panel. Connect the speaker cords with stripes to the + terminals.



#### 2 Connect the supplied antennas.

The FM antenna to the FM 75  $\Omega$  terminals, and the AM antenna to the AM LOOP terminals.



#### 3 Connect the AC cord to an AC outlet.

The STANDBY indicator lights up.

### Speakers

- Use only the supplied speakers.
- Do not leave objects generating magnetism or objects affected by magnetism near the speakers.
- Do not short-circuit the + and - speaker cord leads, otherwise the sound may become inaudible. If this happens, disconnect the AC cord and re-connect the speaker cord leads correctly.

### Antennas

Keep antennas away from metallic objects, electrical equipment and cords.

- **FM antenna:** Extend it horizontally in a T-shape and fix its end to the wall. For better reception, connect an optionally available outdoor antenna to the FM 75  $\Omega$  terminals.
- **AM antenna:** Position and rotate it to find the best reception. Do not unwind the AM antenna wire.

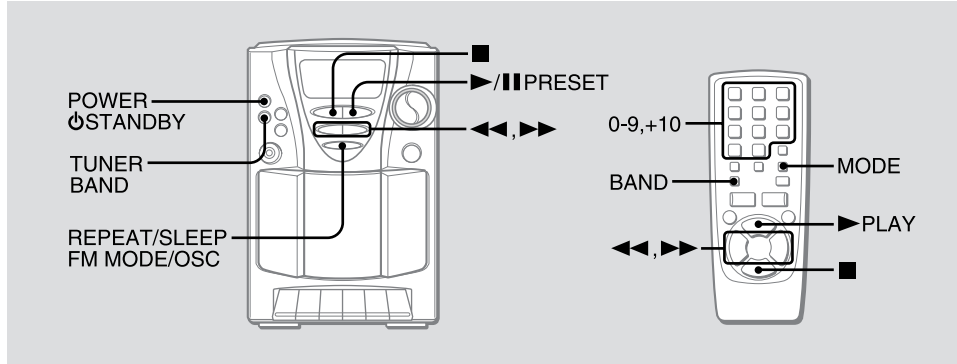
### AUX jacks (rear)

Analog sound signals can be input through these jacks. Use a cable with RCA phone plugs (not supplied) to connect audio equipment (turntable with a built-in equalizer, VCR etc.).

### To listen to the connected equipment

- 1 Press AUX.
- 2 Play the connected equipment.

# TUNER OPERATION



- 1 Press \*TUNER/BAND repeatedly to select the desired band.  
The power is turned on and the previously tuned station is received.  
\* or BAND on the remote control
- 2 Press ◀◀ or ▶▶ (TUNING DOWN/UP) to select a station.

After listening, press POWER/STANDBY to turn the power off.

**For quick tuning (auto search)**  
Keep ◀◀ or ▶▶ pressed until the tuner starts searching for a station. When a station is tuned to, the search stops.  
If the broadcast signal is weak, it does not stop. To stop the search manually, press ◀◀ or ▶▶.

**Note**  
If the unit picks up noise from other electrical appliances nearby, like a TV or fluorescent lights, move the unit.

- \*REPEAT/SLEEP/FM MODE/OSC**
- If an FM stereo broadcast contains noise, press the button so that MONO is displayed.  
Noise is reduced, although reception is monaural.  
To restore stereo reception, press the button again.
  - If a high-pitched sound is heard during AM recording, press the button repeatedly until the noise is reduced. Its position can be checked by "•" being on or off in the display.  
\* or MODE on the remote control

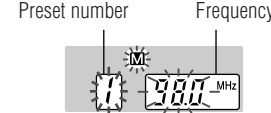
**To change the AM tuning interval**  
The default setting of the AM tuning interval is 10 kHz/step. If you use this unit in an area where the frequency allocation system is 9 kHz/step, change the interval as follows.

- 1 Press TUNER/BAND to display FM.
- 2 Press ■ while pressing TUNER/BAND to display the AM frequency.  
When the AM tuning interval is changed, the preset stations are cleared.

## Presetting Stations

You can preset up to 15 stations in each band.

- 1 Select a station.
- 2 Press ■ once so that "M" is displayed to store the station.  
A station is assigned a preset number, beginning from 1 in consecutive order for each band.



- 3 Repeat steps 1 and 2.  
The next station will not be stored if a total of 15 preset stations have already been stored for a band.

**To listen to preset stations**  
Select a band then press ►/PRESET repeatedly. ►PLAY on the remote control is also available.

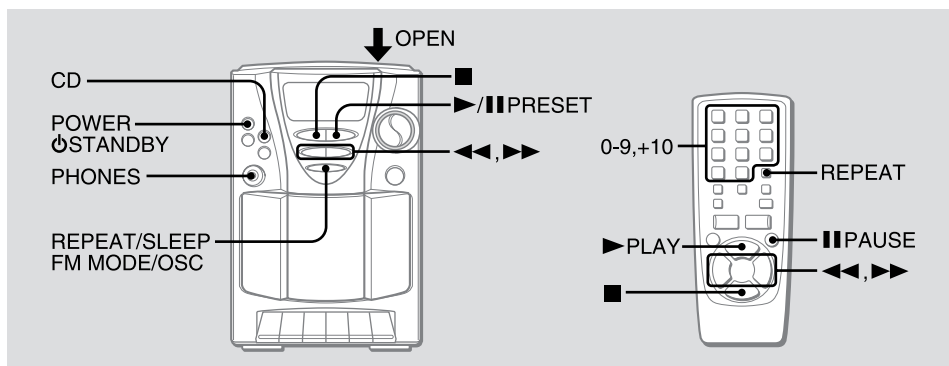
**To select a preset number directly with the remote control**  
Press the numbered buttons 0-9 and +10.  
Example:  
To select number 15, press +10 and 5.  
To select number 10, press +10 and 0.

**To clear a preset station**  
Select the preset number first. Within 4 seconds, keep ■ pressed until "M" and the preset number disappear in the display.  
The higher numbers in the band are decreased by one.



## CD OPERATION

En



- 1 Press CD.  
The power is turned on.
- 2 Press OPEN to open the disc compartment.  
Place a disc with the printed side up and close the disc compartment.  
Total number of tracks and total playing time are displayed. It will take about 15 seconds when loading a CD-RW disc.
- 3 Press \*▶/|||PRESET to start play.  
The number of the track being played and elapsed playing time are displayed.  
\* or ▶PLAY on the remote control

- – Stops play.
- ▶/||| – Pauses play. To resume play, press again. |||PAUSE on the remote control is also available.
- ◀◀, ▶▶ (SKIP/SEARCH)
  - Searches for a particular point during playback. Keep either button pressed and then release it.
  - Skips to the beginning of a track. Press it repeatedly.
- \*REPEAT/SLEEP/FM MODE/OSC – Repeats a single track or all tracks. Select as follows.
  - ↻1: A single track is played repeatedly. Select a track with ◀◀ or ▶▶.
  - ↻: All tracks are played repeatedly.  
\* or REPEAT on the remote control

### To start play when the power is off

Press CD. Play of the loaded disc begins (Direct Play Function). If you load a disc while the display flashes in step 2, play starts without pressing ▶/|||.

### To select a track directly with the remote control

Press the numbered buttons 0-9 and +10. CD play starts from the selected track and continues to the last track.

Example:

To select number 25, press +10, +10 and 5.

To select number 10, press +10 and 0.

After listening, press POWER/STANDBY to turn the power off.

### Note

- Do not use irregular shape CDs (example: heart-shaped, octagonal ones). It may result in malfunctions.
- Do not place more than one disc in the disc compartment.
- Do not try to open the disc compartment during play.
- Do not touch the lens. Doing so may cause malfunctions.

### Note on CD-R/RW discs

- The unit may not play a CD-R/RW disc that is recorded on personal computers or some kinds of CD-R/RW recorders because of differences in recording platforms.
- Do not attach any seal or label to either side (the recordable side or the labeled side) of a CD-R/RW disc. It may cause malfunction.
- Do not load an unrecorded CD-R/RW disc. It will take over 30 seconds to read the disc. The disc may be damaged if you try to open the disc compartment while reading the disc.

## 6 ENGLISH



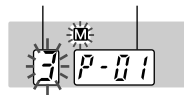
## TAPE OPERATION —Use Type I (normal) tapes only. —

### Programmed Play

Up to 30 tracks can be programmed from the disc.

- 1 In stop mode, keep pressed until "M" flashes in the display.
- 2 Press or to select a track, then press to store it.

Track number      Programmed number



#### To select a track with the remote control

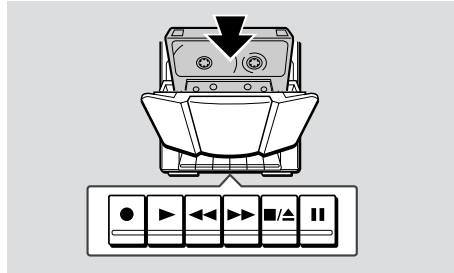
Press the numbered buttons 0-9 and +10.

- 3 Repeat step 2 to program other tracks.  
To return to stop mode in steps 1 to 3, keep pressed.
- 4 Press to start play.

**To check the program**, press or in stop mode.

**To clear the program**, press once in stop mode so that "M" disappears in the display.

**To change the programmed tracks**, clear the program and repeat all the steps again.



### Inserting a Tape

Press to open the cassette holder and insert a tape with the exposed side down and the side to be played facing out.  
Push the cassette holder to close.

### Playing a Tape

Press while the power is off.  
The power is turned on and play of the inserted tape begins.  
The volume level is displayed during tape operation.

— Stops play. The power will be automatically turned off.

— Pauses play. To resume play, press again.

, — Fast forwards/rewinds. To stop winding, press .

#### About cassette tapes

- 120-minute or longer tapes are extremely thin and easily deformed or damaged. They are not recommended.
- Take up any slack in the tape with a pencil or similar tool before use. Slack tape may jam in the mechanism.

### Recording

Note that recording is done on only one side of the tape.

- 1 Insert a tape with the side to be recorded facing out.
- 2 Get ready to record from the source.  
**To record from a CD**, press CD and load the disc.  
**To record from a radio broadcast**, press TUNER/BAND and tune to a station.  
**To record from the connected equipment**, press AUX and start playback.
- 3 Press to start recording.  
 is pressed simultaneously.  
When the selected function is CD, CD play and recording starts simultaneously.

#### To record only the selected tracks of a CD

- 1 Follow steps 1 to 3 of "Programmed Play" to program tracks.
- 2 Press .

**To stop recording**, press . To stop CD play, press .

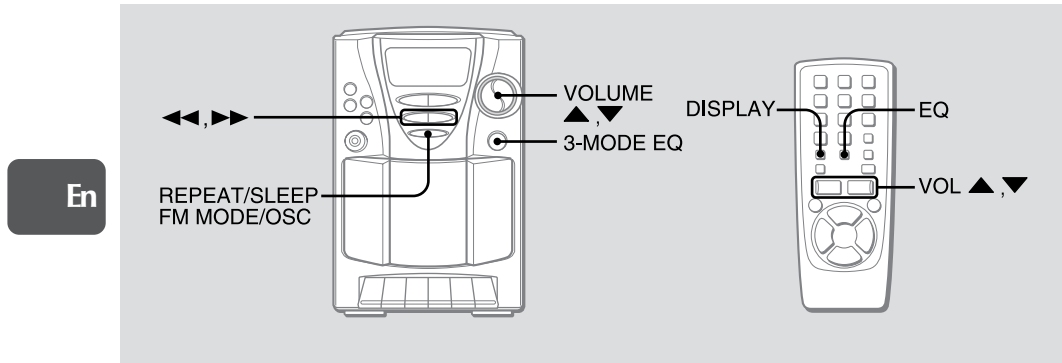
**To pause recording**, press . To resume recording, press again.

**To erase recording**, press while the power is off.

After recording, press POWER STANDBY to turn the power off.

En

## GENERAL



### Sound Adjustment

#### VOLUME (VOL)

Press VOLUME ▲ or ▼. The volume level is displayed as a number from 0 to MAX (25).

- The volume level is automatically set to 14 if the power is turned off when the volume level is set to 15 or more. (except when turning the power back on within 4 seconds)

#### To display the volume level when a function other than TAPE function is selected

Press VOLUME ▲ or ▼. The volume level is displayed for 4 seconds.

DISPLAY on the remote control is also available.

#### 3-MODE EQ (equalizer)

Press \* 3-MODE EQ repeatedly.

The equalizer mode changes to RO (rock), PO (pop), JA (jazz) or OF (off) cyclically.

**RO (rock)** - Emphasizes the high and low range of music.

**PO (pop)** - Emphasizes voice and midrange of music.

**JA (jazz)** - Emphasizes the low range of music.

\* or EQ on the remote control

- Volume or tone adjustment does not affect recording.

### Setting the Sleep Timer

The unit can be turned off automatically at a specified time.

- 1 Keep REPEAT/SLEEP/FM MODE/OSC pressed until "30" flashes in the display.



- 2 Within 4 seconds, press ◀◀ or ▶▶ to specify the time until the power is turned off. Each time it is pressed, the time changes between 10 and 90 minutes in 10-minute steps.



Specified time



While the sleep timer works, the dot keeps flashing.

#### To check the time remaining until the power is turned off

Repeat step 1 shown above. The remaining time is displayed for 4 seconds.

#### To cancel the sleep timer

Display the remaining time and press ◀◀ or ▶▶ repeatedly until OFF is displayed.

#### Note

If the unit is turned off during tape playback, ▶ on the deck will not be released. Press ■/▲ to release ▶.

#### To listen with the headphones

Connect headphones with a stereo mini plug to the PHONES jack.

## 8 ENGLISH





## Maintenance

### To clean the cabinet

Use a soft cloth lightly moistened with mild detergent solution. Do not use strong solvents such as alcohol, benzine or thinner.

### To clean the heads

- When the tape heads are dirty;
- high frequency sound is not emitted
- the sound is not adequately high
- the sound is off-balance
- the tape cannot be erased
- the tape cannot be recorded on

After every 10 hours of use, clean the tape heads with a head cleaning cassette.

Use separately sold dry-type or wet-type cleaning cassette. Refer to the instructions of the cleaning cassette for details.

### To clean the lens

Use a cotton swab slightly moistened with cleaning fluid. Wipe gently from the center to the edge.

### To prevent accidental erasure

Break off the plastic tabs on the cassette tape with a screwdriver or other pointed tool after recording.

### To record on the tape again

Cover the tab openings with adhesive tape, etc.



## Specifications

### Tuner

#### FM

Tuning range	87.5 - 108.0 MHz
Usable sensitivity (IHF)	13.2 dBf
Antenna terminals	75 ohms (unbalanced)

#### AM

Tuning range	530/531 - 1,710/1,602 kHz (10/9 kHz step)
Usable sensitivity	350 µV/m
Antenna	Loop antenna

### Tape deck

Track format	4 tracks, 2 channels
Frequency response	Normal tape: 50 - 12,500 Hz (EIAJ)
Recording system	AC bias
Erasing system	Magnet erase
Heads	Recording/playback head (1) Erasure head (1)

### CD player

Wow and flutter	Unmeasurable
Scanning method	Non-contact optical scanner (semiconductor laser)

### Amplifier

Power output	1.9 W + 1.9 W (65 Hz to 15 kHz, THD less than 1%, 7 ohms) 2.5 W + 2.5 W (1 kHz, THD 10%, 7 ohms)
Input	AUX (400 mV)
Output	SPEAKERS: 7 ohms or more PHONES: Stereo mini-jack

### General (Main unit)

Power requirements	AC 120 V, 60 Hz
Power consumption	20 W
Dimensions (W x H x D)	146 x 216 x 206 mm (5 <sup>3</sup> / <sub>4</sub> x 8 <sup>5</sup> / <sub>8</sub> x 8 <sup>1</sup> / <sub>8</sub> in.)
Weight	2.1 kg (4 lb. 10 oz.)
Accessories	Remote control, FM antenna, AM LOOP antenna

### Speaker

Speakers	100 mm cone type, 7 ohms
Dimensions (W x H x D)	130 x 214 x 191 mm (5 <sup>1</sup> / <sub>8</sub> x 8 <sup>1</sup> / <sub>2</sub> x 7 <sup>5</sup> / <sub>8</sub> in.)
Weight	0.85 kg (1 lb. 14 oz.)

Specifications and external appearance are subject to change without notice.

### COPYRIGHT

Please check the copyright laws relating to recordings from disc, radio or external tape for the country in which the machine is being used.

En

### If an erroneous display or malfunction occurs

Make sure that none of the deck operation buttons is pressed. Press ■ while pressing POWER/STANDBY.

If the unit cannot be reset in the way above, disconnect the AC cord to turn off the display.

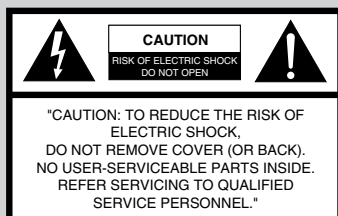
Leave the unit for a while and turn the power back on.

9

## ESPAÑOL PRECAUCIONES

### ADVERTENCIA

PARA REDUCIR EL RIESGO DE INCENDIOS O SACUDIDAS ELÉCTRICAS, NO EXPONGA ESTE APARATO A LA LLUVIA NI A LA HUMEDAD.



E

#### Explicación de los símbolos gráficos:

El símbolo del relámpago con la punta en flecha dentro de un triángulo equilátero, sirve para alertar al usuario de la presencia de "tensión peligrosa" sin aislar en el interior de la caja del aparato, la cual podrá ser lo suficientemente fuerte como para suponer un riesgo de sacudida eléctrica a personas.

El signo de exclamación dentro del triángulo equilátero sirve para alertar al usuario de la presencia de instrucciones importantes de operación y mantenimiento (servicio) en la información que acompaña al aparato.



#### PARA EL REGISTRO DEL DUEÑO

Para sus comodidades, anote el número del modelo (el cual lo encontrará en la parte de abajo de la unidad) y el número de serie (el cual lo encontrará en el compartimiento de la batería) en el espacio dado a continuación. Por favor, en caso de dificultad, Ud. comunique al repartidor de AIWA, las referencias de número del modelo y número de serie.

10

Leer detenida y completamente las instrucciones de funcionamiento antes de manejar el aparato. Todas las precauciones de este folleto y las especificadas en la unidad deben respetarse estrictamente.

Conserve el manual de instrucciones para consultarlo en el futuro.

#### Instalación

**1 Agua y humedad** – No utilizar este aparato cerca del agua, como cerca de una bañera, lavabo, pila de la cocina, lavadero, en sótanos húmedos, piscinas o lugares similares.

**2 Calor** – No usar este aparato cerca de fuentes de calor, como rejillas de calefacción, estufas u otros aparatos que generan calor.

No debe usarse en sitios en los que la temperatura es inferior a 5°C o superior a 35°C.

**3 Superficie de montaje** – Colocar el aparato sobre una superficie plana y nivelada.

**4 Ventilación** – Este aparato debe colocarse de manera que tenga un espacio adecuado a su alrededor para que pueda disiparse el calor. Dejar un espacio de 10 cm desde la parte posterior y superior del aparato y 5 cm en cada lado.

- No colocar el aparato sobre una cama, alfombra o superficie similar que pueda bloquear las rejillas de ventilación.

- No instalar el aparato en una librería, estantería o mueble donde la ventilación sea deficiente.

**5 Entrada de objetos y agua** – Tener cuidado de que no entren objetos extraños ni líquidos por las rejillas de ventilación.

**6 Carros y mostradores** – Cuando el aparato se coloque sobre un carro o mostrador, es necesario tener cuidado con los movimientos. Las paradas bruscas, fuerza excesiva y superficies desiguales pueden hacer que el aparato se caiga o que el carro vuelque.



**7 Condensación** – La lente del lector de CD puede acumular humedad cuando:

- El aparato se mueve desde un sitio frío a uno caliente

- Se acaba de encender la calefacción
  - El aparato se usa en una habitación muy húmeda
  - El aparato se enfría con un acondicionador de aire
- El aparato pudiera no funcionar correctamente cuando se ha condensado humedad en su interior. Si ocurriera, dejarlo apagado unas horas e intentar usarlo de nuevo.

**8 Montaje en la pared o techo** – El aparato no debe montarse en una pared ni colgarse del techo a menos que se especifique así en las instrucciones de funcionamiento.

#### Alimentación eléctrica

**1 Fuentes de alimentación** – Utilizarlo con pilas o corriente alterna de la red, como se especifica en las instrucciones de manejo y se indica en el aparato.

**2 Polarización** – Como medida de seguridad, algunos aparatos están equipados con enchufes polarizados en el cable de alimentación que pueden solamente insertarse en un sentido único dentro del enchufe de la pared. Si fuera difícil o imposible insertar el enchufe del cable de alimentación dentro del tomacorrientes, invierta el sentido de inserción del enchufe y vuelva a intentar conectarlo. Si sigue siendo difícil insertarlo en el tomacorrientes, le rogamos llame a un técnico de servicio calificado para que repare o cambie el tomacorrientes. Para evitar que la medida de seguridad del enchufe de alimentación quede anulada, no fuerce el enchufe dentro de un tomacorrientes.

#### 3 Cable de alimentación

- Cuando se desconecte el cable de alimentación, sujetarlo por el enchufe. No tirar del cable.
- No tocar el enchufe del cable con las manos mojadas, ya que puede producirse un incendio o una descarga eléctrica.
- Los cables de alimentación deben colocarse de manera que no queden doblados, pillados por objetos ni en un sitio donde puedan pisarse. Prestar una atención especial al cable que conecta el aparato y el tomacorrientes.
- Evite sobrecargar los tomacorrientes de CA y los cables de extensión por encima de su capacidad ya que pueden producirse incendios o descargas eléctricas.



**4 Cable de extensión** – Para evitar descargas eléctricas, no utilice un enchufe polarizado en el cable de alimentación con un cable de extensión, receptáculo u otro tomacorrientes a menos que el enchufe polarizado pueda insertarse completamente con miras a evitar que las hojas del enchufe queden expuestas.

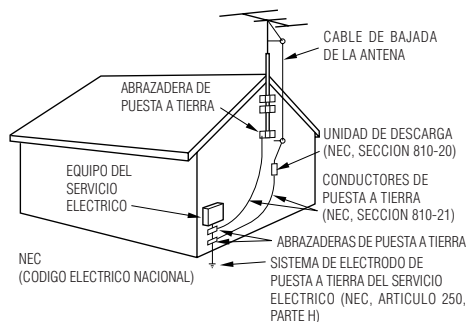
**5 Cuando no se utilice el aparato** – Desenchufe el cable de alimentación de la toma de corriente o saque todas las pilas cuando el aparato no vaya a utilizarse durante algunos meses. Cuando el cable está enchufado, sigue entrando una pequeña cantidad de corriente en el aparato aunque esté apagado.

#### Antena exterior

**1 Líneas de suministro eléctrico** — Cuando conecte una antena exterior, asegúrese de colocarla lejos de las líneas de alta tensión.

**2 Conexión a tierra de la antena exterior** — Asegúrese de que el sistema de la antena esté conectado correctamente a tierra para proporcionar así una protección contra el exceso inesperado de tensión o contra la acumulación de electricidad estática. El artículo 810 del Código Eléctrico Nacional, ANSI/NFPA70, proporciona información acerca de la puesta a tierra apropiada del mástil de la antena, la estructura de apoyo y el cable de bajada a la unidad de descarga de la antena, así como también del tamaño de la unidad de puesta a tierra, la conexión de los terminales de puesta a tierra y los requisitos para conectar a tierra los mismos terminales.

Puesta a tierra de la antena según el Código Eléctrico Nacional



#### Mantenimiento

Limpiar el aparato solamente como se recomienda en las instrucciones de funcionamiento.

#### Servicio y reparación

Llevar el aparato a un técnico de servicio calificado cuando:

- Se haya dañado el cable de alimentación o el enchufe
- Hayan entrado objetos extraños o líquidos en su interior
- Haya estado expuesto a la lluvia o agua
- No funcione correctamente
- Su rendimiento se altere de forma notable
- Se haya caído al suelo o se haya dañado su cuerpo

**NO INTENTE REPARAR EL APARATO USTED MISMO.**

## INDICE

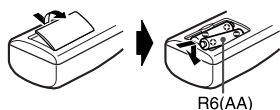
PRECAUCIONES .....	10
PREPARATIVOS .....	12
FUNCIONAMIENTO DEL SINTONIZADOR .....	13
MANEJO DEL CD .....	14
MANEJO DE LA PLATINA .....	15
GENERAL .....	16



## PREPARATIVOS

### Control Remoto

Insertar dos pilas R6 (tamaño AA).



- Cambiar las pilas cuando la distancia de funcionamiento del control remoto sea inferior a 5 metros.
- Cuando no vaya a utilizar la unidad durante mucho tiempo extraiga las pilas para evitar posibles fugas del electrolito.
- El control remoto pudiera no funcionar correctamente en las situaciones siguientes:
  - Cuando el aparato está expuesto a una fuerte luz, como la luz directa del sol.
  - Cuando hay objetos que obstruyen la señal del control remoto hasta el aparato.

### Uso de los botones del control remoto

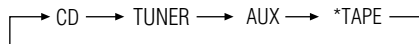
Los botones del control remoto y del aparato principal con indicaciones idénticas tienen las mismas funciones (excepto para operaciones de la cinta).

### Para encender o apagarlo el aparato

Pulsar POWER. Este botón no apagará el aparato cuando se haya pulsado uno de los botones de la platina.

### Uso del selector FUNCTION

Cuando el aparato está encendido, cada vez que se pulsa FUNCTION se seleccionan cíclicamente las funciones.



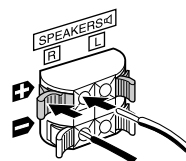
\* aplicable cuando se ha pulsado uno de los botones de la platina

### Connections

La tensión nominal de la unidad (indicada en el panel posterior) es de 120 V CA. Compruebe que coincide con la tensión local.

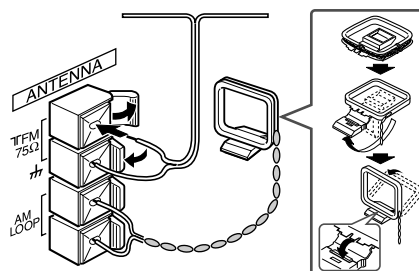
#### 1 Conecte los altavoces.

Conecte el altavoz derecho a los terminales R y el izquierdo a los terminales L del panel posterior. Conecte los cables de altavoz con rayas a los terminales +.



#### 2 Conecte las antenas suministradas.

La antena de FM a los terminales FM 75 Ω, y la antena de AM a los terminales AM LOOP.



#### 3 Conecte el cable de CA a una toma de CA.

El indicador STANDBY se ilumina.

### Altavoces

- Utilice solamente los altavoces suministrados.
- No deje cerca de los altavoces objetos que generen magnetismo ni objetos afectados por magnetismo.
- No cortocircuite los hilos del cable de altavoz + y -, ya que si lo hace el sonido puede no escucharse. Si esto ocurre, desconecte el cable de CA y vuelva a conectar los hilos del cable de altavoz correctamente.

### Antenas

Mantenga las antenas alejadas de objetos metálicos, equipos eléctricos y cables.

- **Antena de FM:** Extienda y colóquela en la posición que ofrezca la mejor recepción. Para mejorar la recepción, conecte una antena opcional exterior disponible en el mercado a los terminales FM 75 Ω.
- **Antena de AM:** Instálela y gírela para encontrar la mejor recepción posible. No desenrolle el cable de la antena de AM.

### Tomas AUX (posteriores)

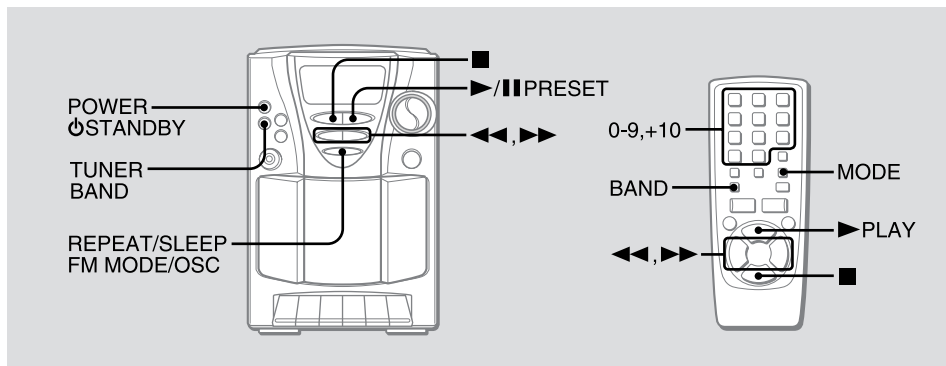
Es posible introducir en estas tomas señales de sonido analógicas.

Utilice un cable con clavijas fonográficas RCA (no suministrado) para conectar el equipo de audio (plato giradiscos con ecualizador incorporado, videograbadora, etc.).

### Para escuchar el sonido del equipo conectado

- 1 Pulse AUX.
- 2 Realice la reproducción en el equipo conectado.

## FUNCIONAMIENTO DEL SINTONIZADOR



**1** Pulsar repetidamente \*TUNER/BAND para seleccionar la banda deseada.

Se enciende el aparato y se sintoniza la emisora que estaba sintonizada en el momento de apagarlo previamente.

\* o BAND en el control remoto

**2** Pulsar ◀◀ o ▶▶ (TUNING DOWN/UP) para seleccionar una emisora.

Después de la escucha, pulsar POWER/STANDBY para apagar el aparato.

### Para sintonizar rápidamente (Búsqueda automática)

Mantener pulsado ◀◀ o ▶▶ hasta que el sintonizador empiece a buscar una emisora. Cuando se sintoniza la emisora se detiene la búsqueda.

Cuando la señal de una emisora se recibe con poca intensidad, la búsqueda no se detiene en esa emisora. Pulsar ◀◀ o ▶▶ para detener la búsqueda manualmente.

### NOTA

Cuando el aparato capte ruidos de otros aparatos electrodomésticos situados cerca de él, como un televisor o una lámpara fluorescente, aléjelo de ellos.

### \*REPEAT/SLEEP/FM MODE/OSC

- Cuando un programa de FM estéreo contenga ruidos o distorsiones, pulsar el botón de manera que se indique MONO en la pantalla.

El ruido se reduce y el programa se recibe en modo monoaural.

Volver a pulsar el botón para recibir el programa en estéreo.

- Si se escucha un pitido agudo durante la grabación de programas de AM, pulsar repetidamente el botón hasta que se atenúe el pitido. Su posición puede comprobarse con la aparición de "•" en la pantalla.

\* o MODE en el control remoto

### Cambio del intervalo de sintonía de AM

El intervalo de sintonía de AM está ajustado en 10 kHz/paso. Cuando este aparato se utilice en regiones donde el sistema de asignación de frecuencias sea de 9 kHz/paso, cambie el intervalo como se indica a continuación.

**1** Pulsar TUNER/BAND de modo que se indique FM.

**2** Pulsar simultáneamente ■ y TUNER/BAND de modo que se indique la frecuencia de AM.

Cuando se cambia el intervalo de sintonía de AM se borran las emisoras que se han memorizado.

## Memorización de emisoras

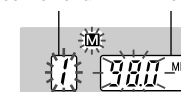
Se pueden memorizar hasta un total de 15 emisoras en cada banda.

**1** Seleccionar una emisora.

**2** Pulsar ■ una vez de manera que se indique "M" para almacenar en memoria la emisora.

La emisora recibe un número de memoria, empezando por el 1 en orden consecutivo para cada banda.

Número de memoria      Frecuencia



E

**3** Repetir los pasos 1 y 2.

La siguiente emisora no se memorizará si ya hay 15 emisoras almacenadas en la memoria.

### Escucha de emisoras memorizadas

Seleccionar una banda y luego oprimir repetidamente ►/■PRESET. También se dispone del botón ►PLAY en el control remoto.

### Selección de un número de memoria directamente con el control remoto

Pulsar los botones numéricos 0-9 y +10.

Ejemplo:

Para seleccionar el número 15, pulsar +10 y 5.

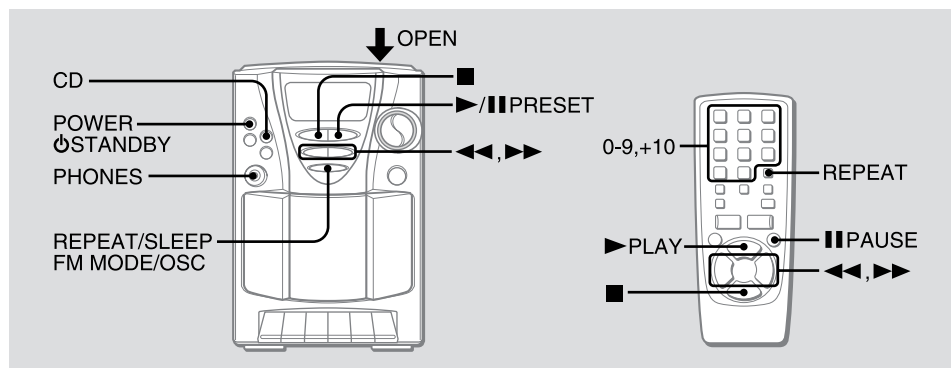
Para seleccionar el número 10, pulsar +10 y 0.

### Borrado de una emisora memorizada

Seleccione primero el número preestablecido. Dentro de un período de 4 segundos, presione ■ hasta que desaparezcan "M" y el número preestablecido de la pantalla.

Los números más altos de la memoria disminuyen en uno.

## MANEJO DEL CD



E

- 1 Pulsar CD.**  
Se enciende el aparato.
- 2 Pulsar OPEN** para abrir el compartimiento del disco. Colocar un disco con el lado impreso hacia arriba y cerrar el compartimiento.  
Se indica en la pantalla el número total de pistas y el tiempo total de reproducción. Se tardan aproximadamente 15 segundos en grabar un disco CD-RW.
- 3 Pulsar \* ► / || PAUSE** para empezar a reproducir.  
Se indica en la pantalla el número de la pista que se está reproduciendo y el tiempo de reproducción desde el principio de la pista.  
\* o ► PLAY en el control remoto

- – Interrumpe la reproducción.
- / || – Pausa durante la reproducción. También se dispone del botón || PAUSE en el control remoto.
- ◀, ▶ (SKIP/SEARCH)  
– Busca un punto particular durante la reproducción. Mantenga cualquier botón pulsado y, a continuación, deje de pulsarlo.  
– Para saltar al principio de una pista. Púlselo varias veces.
- \*REPEAT/SLEEP/FM MODE/OSC – Repite una pista o todas las pistas. Seleccionar como sigue:  
◁ 1: Se repite la reproducción de una sola pista. Seleccionar la pista con ◀◀ o ▶▶.  
◁ : Se repite la reproducción de todas las pistas.  
\* o REPEAT en el control remoto

### Para empezar a reproducir cuando el aparato está apagado

Pulsar CD. El aparato se enciende y se empieza a reproducir el disco cargado (función de reproducción directa). Cuando se carga un disco mientras parpadea el indicador CD en el paso 2, la reproducción empieza sin pulsar ► / ||.

### Para seleccionar directamente una pista con el control remoto

Pulsar los botones numéricos 0-9 y +10. El CD empieza a reproducirse desde la pista seleccionada y continúa hasta el final del disco.

Ejemplo:

Para seleccionar el número 25, pulsar +10, +10 y 5.

Para seleccionar el número 10, pulsar +10 y 0.

Después de la escucha, pulsar POWER/STANDBY para apagar el aparato.

### Nota

- No usar discos de formas irregulares (ejemplo: octogonales, en forma de corazón, etc.). Su uso puede producir errores de funcionamiento.
- No colocar más de un disco compacto dentro del compartimiento del disco.
- No intentar abrir el compartimiento del disco durante la reproducción.
- No tocar la lente. De hacerlo el aparato puede funcionar incorrectamente.

### Notas sobre discos CD-R/RW

- El aparato pudiera no reproducir un disco CD-R/RW grabado en ordenadores personales o ciertos tipos de grabadoras de CD-R/RW debido a diferencias en las plataformas de grabación.
- No colocar sellos ni etiquetas en los lados (lado de grabación y lado de la etiqueta) de los discos reescribibles CD-R/RW. Hacerlo puede provocar errores de funcionamiento.
- No cargue un disco CD-R/RW sin grabar. Se tardarán aproximadamente 30 segundos en leer el disco. El disco puede dañarse si se intenta abrir el compartimiento del disco mientras éste se está leyendo.



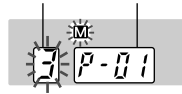
## MANEJO DE LA PLATINA — Utilizar solamente cintas de tipo I (normales). —

### Reproducción Programada

Se puede programar la reproducción de hasta 30 pistas de un disco.

- 1 En la modalidad de parada, mantener pulsado ■ hasta que "M" parpadee en la pantalla.
- 2 Pulsar ◀◀ o ▶▶ para seleccionar una pista y pulsar después ■ para almacenarla en la memoria.

Número de la pista      Número de programación



#### Selección de una pista con el control remoto

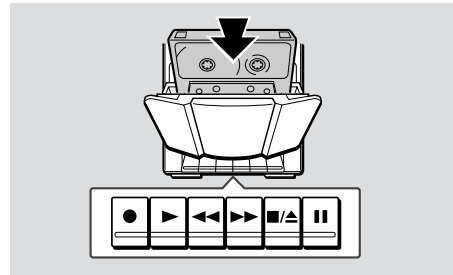
Pulsar los botones numéricos 0-9 y +10.

- 3 Repetir el paso 2 para programas otras pistas. Para volver a la modalidad de parada en los pasos 1 a 3, mantenga ■ oprimido.
- 4 Pulsar ▶/|| para empezar la reproducción.

**Para comprobar el programa**, presionar ◀◀ o ▶▶ en la modalidad de parada.

**Para borrar el programa**, pulsar ■ una vez en la modalidad de parada de modo que "M" desaparezca de la pantalla.

**Para cambiar las pistas programadas**, borrar el programa y repetir todos los pasos de nuevo.



### Inserción de una cinta

Pulsar ■/▲ para abrir el portacasete e insertar una cinta con el lado expuesto hacia arriba y el lado que se va a reproducir encarado hacia afuera. Empujar el portacasete para cerrarlo.

### Reproducción de cintas

Pulsar ▶ mientras el aparato está apagado. El aparato se enciende y empieza a reproducirse la cinta que se ha insertado. El nivel de volumen se presenta durante la reproducción de la cinta.

■/▲— Interrumpe la reproducción. El aparato se apaga automáticamente.

||— Hace una pausa en la reproducción. Pulsar de nuevo para seguir reproduciendo.

◀◀, ▶▶— Para avanzar rápidamente y rebobinar. Para cancelar la modalidad, pulsar ■/▲.

#### Acerca de las cintas de casete

- Las cintas de 120 minutos o más son extremadamente finas y se deforman o estropean fácilmente. No son recomendadas.
- Tense la cinta con un lapicero o herramienta similar antes de utilizarla. La cinta floja podrá romperse o atascarse en el mecanismo.

### Grabación

Observar que la grabación se hace solamente en un lado de la cinta.

- 1 Insertar una cinta con el lado que se va a grabar encarado hacia afuera.
- 2 Preparar la grabación desde la fuente de sonido. **Para grabar desde un CD**, pulsar CD y cargar un disco. **Para grabar un programa de radio**, pulsar TUNER/BAND y sintonizar una emisora. **Para grabar del equipo conectado**, pulse AUX e inicie la reproducción.
- 3 Pulsar ● para empezar a grabar. ▶ se activa simultáneamente. Cuando se ha seleccionado la función CD, la reproducción del CD y la grabación empiezan simultáneamente.

#### Grabación de las pistas seleccionadas del CD

- 1 Seguir los pasos 1 a 3 de "Reproducción Programada" para programar las pistas.
- 2 Pulsar ●.

**Para dejar de grabar**, pulsar ■/▲. Pulsar ■ para detener la reproducción del CD.

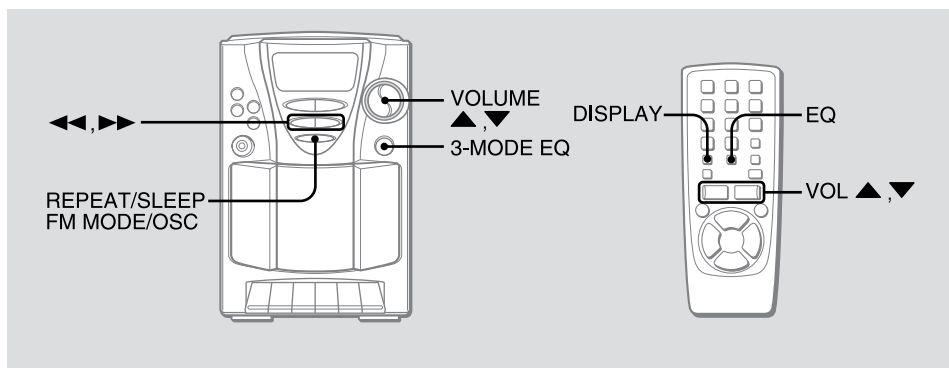
**Para hacer una pausa durante la grabación**, pulsar ||. Volver a pulsarlo para seguir grabando.

**Para borrar una grabación**, pulsar ● mientras el aparato está apagado.

Después de grabar, pulsar POWER ⏻ STANDBY para apagar el aparato.



## GENERAL



E

### Ajuste del sonido

#### VOLUME/VOL (volumen)

Pulsar VOLUME ▲ o ▼. El nivel de volumen se indica en la pantalla en forma numérica desde 0 hasta MAX (25).

- Cuando se apaga el aparato el nivel del volumen se ajusta automáticamente en 14 si se ajustó en 15 ó más. (excepto cuando se vuelve a encender el aparato después de 4 segundos)

#### Indicación del nivel de volumen cuando se ha seleccionado una función distinta a la de TAPE

Pulsar VOLUME ▲ o ▼. Se indica el nivel de volumen durante 4 segundos.

También puede usarse DISPLAY en el control remoto.

#### Escucha con auriculares

Conectar unos auriculares con miniclavija estéreo en la toma PHONES.

16

#### 3-MODE EQ (ecualizador)

Pulsar \* 3-MODE EQ repetidamente.

El modo del ecualizador cambia cíclicamente a RO (rock), PO (pop), JA (jazz) o OF (off) y sin ecualización.

**RO (rock)** - Acentúa los tonos altos y bajos de la música.

**PO (pop)** - Acentúa los vocales y los tonos medios.

**JA (jazz)** - Acentúa los tonos bajos.

\* o EQ en el control remoto

- Volume or tone adjustment does not affect recording.

### Ajuste del Temporizador de Desconexión

El aparato puede apagarse automáticamente a una hora designada.

- 1 Mantenga oprimido REPEAT/SLEEP/FM MODE/OSC hasta que parpadee "30" en la pantalla.



- 2 Antes de que pasen 4 segundos, pulsar ◀◀ o ▶▶ para especificar el tiempo hasta la desconexión del aparato.

Cada vez que se pulsa, el tiempo cambia entre 10 y 90 minutos en pasos de 10 minutos.



Hora especificada

Cuando el temporizador de desconexión está activado, parpadea el punto.

#### Comprobación del tiempo restante hasta la desconexión

Repetir el paso 1 anterior. El tiempo restante se indica durante un espacio de 4 segundos.

#### Cancelación del temporizador de desconexión

Indicar el pantalla el tiempo restante y pulsar repetidamente ◀◀ o ▶▶ hasta que se indique OFF.

#### Nota

▶ de la platina no se desactiva cuando el aparato se apaga durante la reproducción de una cinta. Pulsar ■/▲ para desactivar ▶.



## Mantenimiento

### Limpieza del cuerpo del aparato

Usar un paño suave ligeramente humedecido con una solución de detergente suave. No utilizar solventes fuertes como alcohol, bencina o diluyente.

### Limpieza de las cabezas

- Cuando las cabezas están sucias,
- no se reproducen sonidos de altas frecuencias
  - el sonido no es adecuadamente alto
  - el sonido se desequilibra
  - no se pueden borrar cintas
  - no se pueden grabar cintas

Limpia las cabezas de la cinta con una casete limpiadora cada 10 horas de utilización.

Utilizar casetes limpiadoras de tipo seco o húmedo de venta en comercios.

Consultar las instrucciones de la casete limpiadora para más detalles.

### Limpieza de la lente

Utilizar un bastoncillo de algodón ligeramente humedecido con fluido limpiador. Frotar suavemente desde el centro hacia el borde.

### Para evitar el borrado accidental de la cinta

Romper las pestañas de plástico de la cinta con un destornillador u otro artículo puntiagudo después de grabar.

### Para volver a grabar en una cinta

Cubrir los orificios de las pestañas con cinta adhesiva, etc.



## Especificaciones

### Sintonizador

#### FM

Gama de sintonización 87,5 MHz a 108 MHz  
Sensibilidad útil (IHF) 13,2 dBf  
Terminales de antena 75 ohmios (desequilibrada)

#### AM

Gama de sintonización 530/531 kHz a 1,710/1,602 kHz (pasos de 10/9 kHz)  
Sensibilidad útil 350 µV/m  
Antena Antena de cuadro

### Platina

Formato de pistas 4 pistas, 2 canales estéreo  
Respuesta de frecuencia Nominal: 50 - 12,500 Hz (EIAJ)  
Sistema de grabación Polarización de CA  
Sistema de borrado Borrado magnético  
Cabezales 1 cabeza de grabación/reproducción,  
1 cabeza de borrado

### Reproductor de discos compactos

Fluctuación y trémolo No se puede medir  
Método de exploración Escáner óptico sin contacto (láser semiconductor)

### Amplificador

Potencia de salida 1,9 W + 1,9 W (65 Hz a 15 kHz, distorsión armónica total del 1 %, 7 ohmios)  
2,5 W + 2,5 W (1 kHz, distorsión armónica total del 10 %, 7 ohmios)  
Entradas AUX (400 mV)  
Salidas SPEAKERS: 7 ohmios o más  
PHONES: Estéreo mini-jack

### Generalidades (Unidad principal)

Alimentación 120 V CA, 60 Hz  
Consumo 20 W  
Dimensiones (An x Al x Prof) 146 x 216 x 206 mm  
Peso 2,1 kg  
Accessories Mando a distancia, antena de FM, antena de AM LOOP

### Altavoces

Altavoces Tipo cónico de 100 mm, 7 ohmios  
Dimensiones (An x Al x Prof) 130 x 214 x 191 mm  
Peso 0,85 kg

Las especificaciones y el aspecto exterior están sujetos a cambios sin previo aviso.

### DERECHOS DE AUTOR

Sírvase comprobar las leyes de derechos de autor relacionadas con la grabación de discos, de la radio o de cintas del país en el que se utilice el aparato.

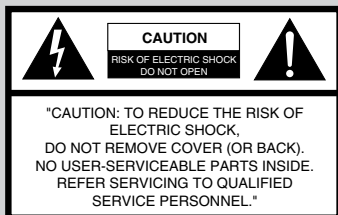
### Cuando se produzcan errores de indicación o funcionamiento

Asegurarse de que no hay oprimido ningún botón de la platina. Pulsar **■** y **POWER** **⏻** simultáneamente. Si el aparato no se repusiera de la manera indicada, desconectar el cable de alimentación y sacar todas las pilas de modo que se apague la pantalla. Dejarlo en este estado durante un rato y volver a conectar la energía eléctrica.

## FRANÇAIS PRÉCAUTIONS

### ATTENTION

POUR RÉDUIRE LES RISQUES D'INCENDIE OU D'ELECTROCUTION, NE PAS EXPOSER CET APPAREIL A LA PLUIE OU A L'HUMIDITÉ.



#### Explication des symboles graphiques:

Le symbole représentant un éclair au bout en pointe de flèche placé à l'intérieur d'un triangle équilatéral est destiné à mettre en garde l'utilisateur contre la présence d'une "tension dangereuse" non isolée dans le boîtier de l'appareil, tension suffisante pour constituer un risque d'électrocution pour les humains.



Le point d'exclamation placé à l'intérieur d'un triangle équilatéral est destiné à signaler à l'utilisateur la présence d'instructions importantes d'opération et d'entretien (service) dans les manuels fournis avec l'appareil.



#### RESERVE AU PROPRIÉTAIRE

Noter dans l'espace réservé à cet effet ci-dessous le numéro de modèle (indiqué au dos de l'appareil) et le numéro de série (indiqué dans le compartiment à piles). Toujours mentionner ces numéros dans toutes les relations avec les revendeurs AIWA en cas de problème.

18

Lire attentivement tout ce mode d'emploi avant de faire fonctionner l'appareil. All precautions on this booklet and on the unit should be strictly followed.

Keep the Operating Instructions for future reference.

#### Installation

**1 Eau et humidité** — Ne pas utiliser l'appareil à proximité d'eau, par exemple près d'une baignoire, d'un lavabo, une piscine, etc.

**2 Chaleur** — Ne pas utiliser l'appareil à proximité de sources de chaleur, par exemple une bouche de chauffage, un appareil de chauffage ou tout autre appareil dégageant de la chaleur. Par ailleurs, ne pas le soumettre à des températures inférieures à 5°C ou supérieures à 35°C.

**3 Surface de montage** — Placer l'appareil sur une surface plane et de niveau.

**4 Ventilation** — L'appareil devra être placé avec suffisamment d'espace libre tout autour de façon à assurer une bonne dissipation de la chaleur. Laisser environ 10 cm derrière et au-dessus de l'appareil, et 5 cm de chaque côté.

- Ne pas mettre l'appareil sur un lit, un tapis ou toute surface similaire qui risquerait de boucher les événements de ventilation.

- Ne pas mettre l'appareil dans une bibliothèque, une armoire ou une étagère fermée où la ventilation risque d'être inadéquate.

**5 Pénétration d'objets et de liquides** — Veiller à ce qu'aucun objet ni aucun liquide ne pénètre à l'intérieur de l'appareil par les événements de ventilation.

**6 Chariots et socles** — Si l'appareil est placé sur un socle ou un chariot, le déplacer avec précaution. Des arrêts brusques, une force excessive et des surfaces irrégulières pourraient provoquer le renversement ou la chute de l'appareil ou du chariot.



**7 Condensation** — De l'humidité risque de se former sur la lentille du capteur CD si :

- l'appareil est amené d'un endroit froid à un endroit chaud
- le chauffage vient juste d'être allumé
- l'appareil est utilisé dans une pièce très humide
- l'appareil est refroidi par un climatiseur.

S'il y a de la condensation à l'intérieur de l'appareil, il risque de ne pas fonctionner normalement. Dans ce cas, attendre quelques heures avant de le réutiliser.

**8 Montage au mur ou au plafond** — L'appareil ne devra pas être monté sur un mur ou un plafond, sauf spécification contraire dans le mode d'emploi.

#### Alimentation électrique

**1 Sources d'alimentation** — Connect this unit only to power sources specified in the Operating Instructions, and as marked on the unit.

**2 Polarisation** — A des fins de sécurité, certains appareils sont équipés d'une fiche secteur polarisée qui ne peut rentrer dans la prise secteur que dans un seul sens. S'il est difficile ou impossible d'insérer la fiche dans la prise, tourner la fiche dans l'autre sens et recommencer. Si la fiche ne rentre toujours pas facilement, contacter un technicien qualifié pour faire réparer ou remplacer la prise. Pour ne pas faire échec à la fonction de sécurité de la fiche polarisée, ne pas l'insérer de force dans la prise.

#### 3 Cordon d'alimentation secteur

- Pour débrancher le cordon d'alimentation secteur, le tirer en le tenant par la fiche. Ne pas tirer sur le cordon proprement dit.

- Ne jamais manipuler le cordon d'alimentation secteur avec des mains mouillées, car cela pourrait provoquer un feu ou une décharge électrique.

- Les cordons d'alimentation doivent être solidement fixés pour éviter qu'ils ne soient pliés, pincés, ou qu'on ne marche dessus. Faire particulièrement attention au cordon qui relie l'appareil à la prise secteur.

- Éviter de surcharger les prises secteur et les cordons de rallonge au-delà de leur capacité, car cela pourrait entraîner un feu ou un choc électrique.

**4 Cordon de rallonge** — Pour éviter tout risque de choc électrique, ne pas utiliser une fiche secteur polarisée avec un cordon de rallonge ou toute autre prise si la fiche polarisée ne rentre pas complètement dans la fiche, pour éviter d'exposer les lames de la fiche.

**5 En cas de non utilisation** — Si l'appareil doit rester inutilisé pendant plusieurs mois, débrancher le cordon secteur de la prise secteur ou retirer toutes les piles. Quand le cordon est branché, l'appareil continue de consommer une petite quantité de courant, même s'il est hors tension.



### Antenne extérieure

**1 Lignes d'aménée de courant** — Quand on branche une antenne extérieure, s'assurer qu'elle est située à l'écart de toute ligne d'aménée de courant.

**2 Mise de l'antenne extérieure à la terre** — Afin d'assurer une protection contre toute impulsion de tension et contre toute accumulation d'électricité statique, s'assurer que l'antenne est correctement mise à la terre. L'article 810 du code national d'électricité (NEC), ANSI/NFPA 70, fournit des informations au sujet de la mise à la terre du mât, de la structure de support et du conducteur arrivant à l'unité de décharge d'antenne et au sujet des dimensions des conducteurs de mise à la terre, de la connexion aux électrodes de mise à la terre et des exigences concernant ces électrodes.

### Entretien

Nettoyer l'appareil comme indiqué dans le mode d'emploi.

### Domages nécessitant des réparations

Faire réparer l'appareil par un personnel qualifié si :

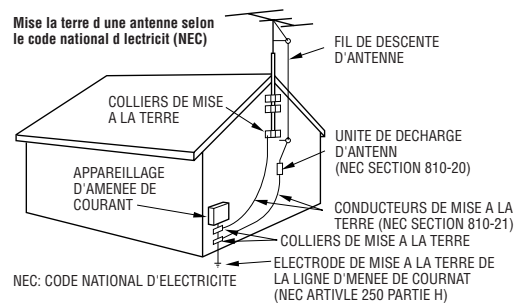
- Le cordon d'alimentation secteur ou la fiche sont endommagés
- Des corps étrangers ou un liquide ont pénétré à l'intérieur de l'appareil
- L'appareil a été exposé à la pluie ou à l'eau
- L'appareil semble ne pas fonctionner normalement
- L'appareil accuse un changement notable de ses performances
- L'appareil est tombé, ou le coffret est endommagé.

NE PAS TENTER DE REPARER L'APPAREIL SOI-MEME.

## TABLE DES MATIERES

PRÉCAUTIONS .....	18
PREPARATIONS .....	20
FONCTIONNEMENT DU TUNER .....	21
FONCTIONNEMENT DU DISQUE COMPACT ..	22
FONCTIONNEMENT DE LA CASSETTE .....	23
GÉNÉRALITÉS .....	24

Mise la terre d une antenne selon le code national d lectricit (NEC)



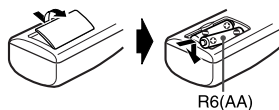
NEC: CODE NATIONAL D'ELECTRICITE



## PREPARATIONS

### Télécommande

Insérer deux piles R6 (taille AA).



- Quand la portée du signal de télécommande est inférieure à 5 mètres, remplacer les piles.
- Retirez les piles afin d'éviter toute fuite d'électrolyte éventuelle si l'unité n'est pas utilisée pendant une longue période.
- La télécommande peut ne pas fonctionner correctement si :
  - L'appareil est exposé à une lumière vive, par exemple les rayons du soleil.
  - Des objets bloquent la transmission du signal de télécommande à l'appareil.

### F

#### Pour utiliser les touches de la télécommande

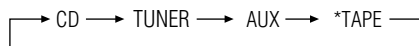
Les touches de la télécommande et celles de l'appareil principal qui sont repérées de façon identique ont les mêmes fonctions (A l'exception des cassettes).

#### Pour mettre l'appareil sous et hors tension

Appuyer sur POWER. Quand l'une des touches de fonction de la platine est enfoncée, cette touche ne permet pas de mettre l'appareil hors tension.

#### Pour utiliser la touche FUNCTION

Chaque fois qu'on appuie sur la touche FUNCTION alors que l'appareil est sous tension, la fonction est sélectionnée suivant un cycle.



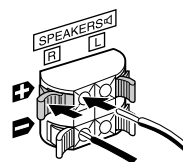
\* Applicable quand l'une des touches de fonction de la platine est enfoncée

### Raccordements

La tension nominale de cette unité, visible sur le panneau arrière, 120 V CA. Vérifiez que cela correspond bien à la tension de votre pays.

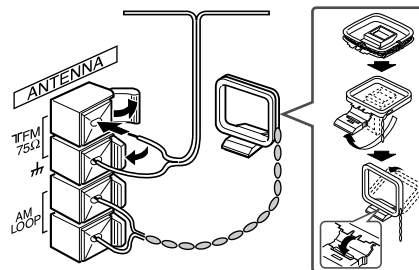
#### 1 Raccordez les haut-parleurs.

Raccordez le haut-parleur droit aux bornes R et le haut-parleur gauche aux bornes L sur le panneau arrière. Raccordez le câble des haut-parleurs rayés aux bornes +.



#### 2 Raccordez l'antenne fournie.

L'antenne FM aux bornes FM 75  $\Omega$  et l'antenne MW/LW aux bornes AM LOOP.



#### 3 Raccordez le câble d'alimentation CA à une prise secteur.

L'indicateur STANDBY s'allume.

### Haut-parleurs

- Utilisez uniquement les haut-parleurs fournis.
- Ne laissez pas d'objets magnétiques ou d'objets affectés par le magnétisme à proximité des haut-parleurs.
- Ne court-circuitez pas les câbles d'alimentation des haut-parleurs + et - car le son risque d'être inaudible. Si tel est le cas, déconnectez le câble d'alimentation CA et raccordez de nouveau les câbles d'alimentation des haut-parleurs correctement.

### Antennes

Laissez les antennes à l'écart des objets métalliques, des équipements électriques et des câbles.

- **Antenne FM:** Déployez cette antenne complètement et la positionner de manière à obtenir la meilleure réception possible. Pour une meilleure réception, raccordez une antenne facultative disponible externe aux bornes FM 75  $\Omega$ .
- **Antenne MW:** Placez-la et faites-la pivoter afin de trouver la meilleure réception. Ne détendez pas le fil de l'antenne MW.

### Prises AUX (arrière)

Des signaux sonores analogiques peuvent être émis à partir de ces prises.

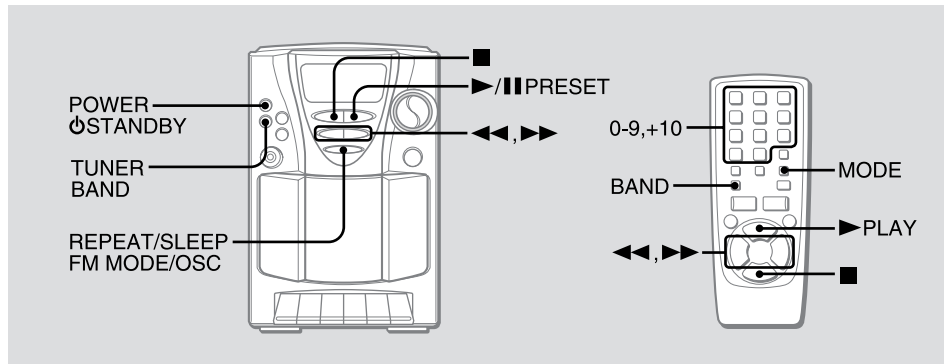
Utilisez un câble avec des fiches téléphoniques RCA (non fournies) pour raccorder l'équipement audio (appareil avec égalisateur intégré, magnétoscope, etc.)

### Pour écouter l'équipement raccordé

- 1 Appuyez sur AUX.
- 2 Faites fonctionner l'équipement raccordé.



## FONCTIONNEMENT DU TUNER



**1** Appuyer de façon répétée sur \*TUNER/BAND pour sélectionner la gamme.

L'appareil se met sous tension et la station préalablement accordée est reçue.

\* ou BAND sur la télécommande

**2** Appuyer sur ◀◀ ou ▶▶ (TUNING DOWN/UP) pour sélectionner la station.

Lorsque l'écoute est terminée, appuyer sur POWER STANDBY pour mettre l'appareil hors tension.

### Pour un accord rapide (auto search)

Maintenir ◀◀ ou ▶▶ enfoncé jusqu'à ce que le tuner commence à rechercher une station. Quand une station est accordée, la recherche s'arrête.

Si le signal de diffusion est faible, elle ne s'arrête pas. Pour arrêter la recherche manuellement, appuyer sur ◀◀ ou ▶▶.

### REMARQUE

Si l'appareil capte des parasites d'autres appareils électriques situés à proximité, par exemple un téléviseur ou un tube fluorescent, éloigner l'appareil.

### \*REPEAT/SLEEP/FM MODE/OSC

- Si la station FM stéréo renferme trop de parasites, appuyer sur la touche de façon que MONO s'affiche.

Les parasites sont réduits, mais la réception sera monophonique.

Pour revenir à la réception stéréo, appuyer de nouveau sur la touche.

- Si un son aigu se fait entendre pendant l'enregistrement d'une émission AM, appuyer de façon répétée sur la touche jusqu'à ce que le bruit soit réduit. Pour connaître la position de la touche, voir si "•" est allumé ou éteint sur l'affichage.

\* ou MODE sur la télécommande

### Pour modifier l'intervalle d'accord AM

Le réglage par défaut de l'intervalle d'accord AM est de 10 kHz/pas. Si l'on utilise l'appareil dans une région où le système d'allocation des fréquences est de 9 kHz/pas, modifier l'intervalle comme suit.

**1** Appuyer sur TUNER/BAND pour afficher FM.

**2** Appuyer sur ■ tout en appuyant sur TUNER/BAND pour afficher la fréquence AM.

Quand on modifie l'intervalle d'accord AM, les stations pré-réglées s'effacent.

## Préréglage des stations

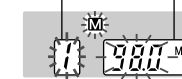
L'appareil peut mémoriser un total de 15 stations pour chaque gamme.

**1** Sélectionner la station.

**2** Appuyer une fois sur ■ de façon que "M" s'affiche pour mémoriser la station.

La station reçoit un numéro de pré-réglage, à partir de 1 puis en suivant l'ordre chronologique, pour chaque gamme.

Numéro de pré-réglage      Fréquence



**3** Recommencer les opérations 1 et 2.

La station suivante ne sera pas mémorisée si 15 stations ont déjà été mémorisées pour une gamme.

### Pour écouter les stations pré-réglées

Sélectionner la gamme et appuyer de façon répétée sur ►/■ PRESET. On pourra également utiliser ►PLAY de la télécommande.

### Pour sélectionner un numéro pré-réglé directement avec la télécommande

Appuyer sur les touches numériques 0-9 et +10.

Exemple :

Pour sélectionner le numéro 15, appuyer sur +10 et 5.

Pour sélectionner le numéro 10, appuyer sur +10 et 0.

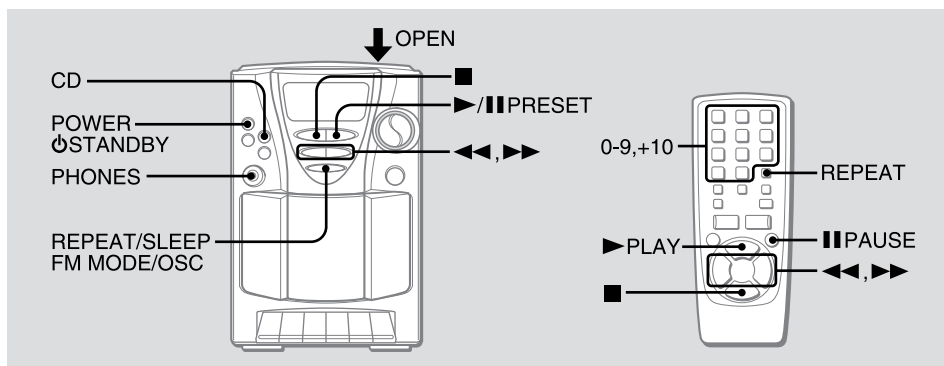
### Pour effacer une station pré-réglée

Sélectionner tout d'abord le numéro de pré-réglage. Dans les 4 secondes, maintenir ■ enfoncé jusqu'à ce que "M" et le numéro de pré-réglage apparaissent sur l'affichage.

Les numéros supérieurs de la gamme diminuent d'une unité.



## FONCTIONNEMENT DU DISQUE COMPACT



**1 Appuyer sur CD.**  
L'appareil se met sous tension et l'indicateur CD s'allume.

**2 Appuyer sur OPEN pour ouvrir le tiroir du disque.** Mettre un disque avec la face imprimée orientée vers le haut et refermer le tiroir du disque.  
Le nombre total de plages et la durée de lecture totale s'affichent. Cela prendra environ 15 secondes lors du chargement d'un CD-RW.

**3 Appuyer sur \*►/|| PRESET pour démarrer la lecture.**  
Le numéro de la plage en cours de lecture et le temps de lecture écoulé s'affichent.  
\* ou ►PLAY sur la télécommande

■ – Arrête la lecture.

►/|| – Interrompt la lecture. Pour reprendre la lecture, appuyer à nouveau. On pourra également utiliser || PAUSE de la télécommande.

◀◀, ▶▶ (SKIP/SEARCH)

– Pour rechercher un passage particulier au cours de la lecture. Maintenez enfoncée une des touches, puis relâchez-la.

– Saute au début d'une plage. Appuyez plusieurs fois.

\*REPEAT/SLEEP/FM MODE/OSC – Répète une seule plage ou toutes les plages. Réglé comme suit:

☞ 1: Une seule plage est lue de façon répétée. Sélectionner la plage avec ◀◀ ou ▶▶.

☞ : Toutes les plages sont lues de façon répétée.

\* ou REPEAT sur la télécommande

### Pour démarrer la lecture lorsque l'appareil est hors tension

Appuyer sur CD. La lecture du disque chargé démarre (fonction de lecture directe). Si l'on charge un disque pendant que l'indicateur CD clignote au point 2, la lecture démarre sans qu'il soit nécessaire d'appuyer sur ►/||.

### Pour sélectionner une plage directement avec la télécommande

Appuyer sur les touches numériques 0-9 et +10. La lecture du CD démarre à la plage sélectionnée et elle se poursuit jusqu'à la dernière plage.

Exemple :

Pour sélectionner le numéro 25, appuyer sur +10, +10 et 5.  
Pour sélectionner le numéro 10, appuyer sur +10 et 0.

Lorsque l'écoute est terminée, appuyer sur POWER/STANDBY pour mettre l'appareil hors tension.

### REMARQUE

- Ne pas utiliser de disques de forme irrégulière (par exemple en forme de coeur, octogonale, etc.) Cela risque de provoquer une anomalie.
- Ne pas mettre plus d'un disque compact dans le tiroir.
- Ne pas ouvrir le tiroir du disque pendant la lecture.
- Ne pas toucher la lentille. Cela risque de provoquer une anomalie.

### Remarques sur les CD-R/RW

- L'appareil peut ne pas lire les CD-R/RW enregistrés sur un ordinateur personnel ou sur certains types d'enregistreurs de CD-R/RW en raison des différences dans la plate-forme d'enregistrement.
- Ne pas coller d'auto-collants ni d'étiquettes sur les deux faces (face enregistrée et face avec l'étiquette) d'un CD-R/RW. Cela pourrait provoquer un mauvais fonctionnement.
- Ne pas charger de CD-R/RW non enregistrés. Il faudra plus de 30 secondes pour lire le disque. Le disque risque d'être endommagé si l'on essaie d'ouvrir le logement du disque pendant la lecture du disque.



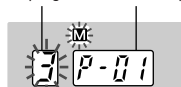
## FONCTIONNEMENT DE LA CASSETTE — Utiliser uniquement des cassettes de type I (normales). —

### Lecture programmée

Il est possible de programmer un maximum de 30 plages du disque.

- 1 En mode d'arrêt, continuer à appuyer sur ■ jusqu'à ce que "M" clignote sur l'affichage.
- 2 Appuyer sur ◀◀ ou ▶▶ pour sélectionner une plage, puis appuyer sur ■ pour la mémoriser.

Numéro de plage      Numéro programmé



**Pour sélectionner une plage avec la télécommande**  
Appuyer sur les touches numériques 0-9 et +10.

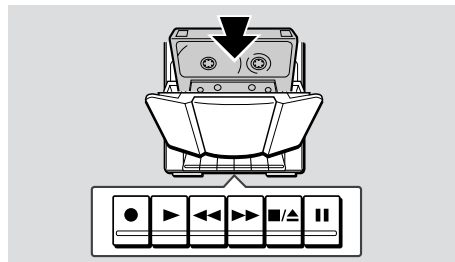
- 3 Recommencer l'opération 2 pour programmer les autres plages.  
Pour revenir au mode d'arrêt aux étapes 1 à 3, maintenir ■ enfoncé.

- 4 Appuyer sur ▶/||| pour démarrer la lecture.

**Pour vérifier le programme**, appuyer sur ◀◀ ou ▶▶ en mode d'arrêt.

**Pour effacer le programme**, appuyer une fois sur ■ en mode d'arrêt de façon que "M" disparaisse de l'afficheur.

**Pour modifier les plages programmées**, effacer le programme et recommencer depuis le début.



### Insertion de la cassette

Appuyer sur ■/▲ pour ouvrir le porte-cassette et insérer la cassette avec le côté exposé du ruban magnétique orienté vers le haut et la face de lecture orientée vers l'extérieur.

Appuyer sur le porte-cassette pour le refermer.

### Lecture de cassettes

Appuyer sur ▶ lorsque l'appareil est hors tension. L'appareil se met sous tension et la lecture de la cassette insérée démarre.

Le niveau du volume s'affiche pendant le fonctionnement de la cassette.

■/▲— Arrête la lecture. L'appareil se met automatiquement hors tension.

|||— Interrompt la lecture. Pour reprendre la lecture, appuyer à nouveau.

◀◀, ▶▶— Avance rapidement/rebobine le ruban. Pour arrêter le bobinage, appuyer sur ■/▲.

### Au sujet des cassettes

- Le ruban magnétique des cassettes de 120 minutes ou plus est extrêmement fin et se déforme et s'endommage facilement. Ces cassettes ne sont pas recommandées.
- Tendre le ruban magnétique avec un crayon ou un objet similaire avant d'utiliser une cassette. Un ruban magnétique détendu peut se rompre ou s'emmêler dans le mécanisme.

### Enregistrement

Noter que l'enregistrement ne s'effectue que sur une seule face de la cassette.

- 1 Insérer la cassette avec la face d'enregistrement vers l'extérieur.

- 2 Préparer l'appareil pour l'enregistrement de la source.

**Pour enregistrer un CD**, appuyer sur CD et mettre le disque en place.

**Pour enregistrer une émission de radio**, appuyer sur TUNER/BAND et accorder la station.

**Pour effectuer un enregistrement à partir de l'équipement raccordé**, appuyez sur AUX et lancez la lecture.

- 3 Appuyer sur ● pour démarrer l'enregistrement. ▶ s'enfonce au même moment.

Si la fonction sélectionnée est CD, la lecture et l'enregistrement du CD commencent en même temps.

### Pour enregistrer uniquement les plages données d'un CD

1 Effectuer les opérations 1 à 3 de la "Lecture Programmée" pour programmer les plages.

2 Appuyer sur ●.

**Pour arrêter l'enregistrement**, appuyer sur ■/▲. Pour arrêter la lecture du CD, appuyer sur ■.

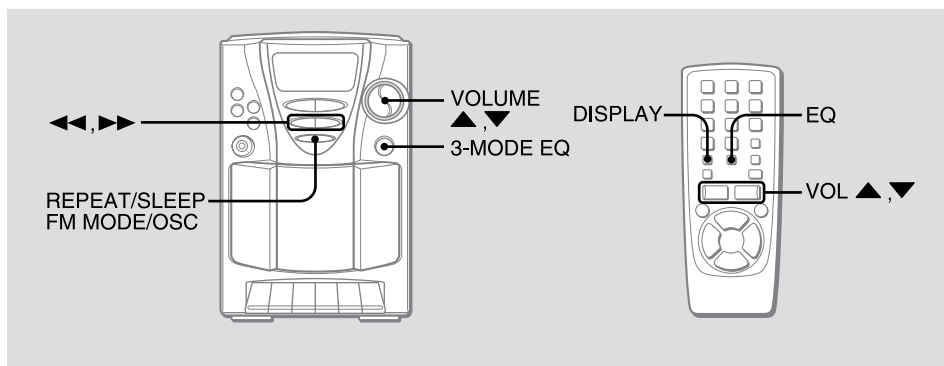
**Pour effectuer une pause d'enregistrement**, appuyer sur |||. Pour reprendre l'enregistrement, appuyer de nouveau.

**Pour effacer l'enregistrement**, appuyer sur ● alors que l'appareil est hors tension.

Lorsque l'enregistrement est terminé, appuyer sur POWER/STANDBY pour mettre l'appareil hors tension.



## GÉNÉRALITÉS



### Réglage de la Tonalité

#### VOLUME (VOL)

Appuyer sur VOLUME ▲ ou ▼. Le niveau du volume s'affiche sous forme de chiffre de 0 à MAX (25).

- Le volume se règle automatiquement au niveau 14 si l'on met l'appareil hors tension alors que le volume réglé au niveau 15 ou plus. (Sauf si l'on remet l'appareil sous tension dans les 4 secondes)

#### Pour afficher le volume quand une fonction autre que TAPE (cassette) est sélectionnée

Appuyer sur VOLUME ▲ ou ▼. Le niveau du volume s'affiche pendant 4 secondes.

On pourra également utiliser DISPLAY de la télécommande.

#### Pour une écoute au casque

Raccorder le casque avec mini-fiche stéréo à la prise PHONES.

24

#### 3-MODE EQ (égaliseur)

Appuyer répétée sur \* 3-MODE EQ.

Le mode d'égaliseur parcourt le cycle RO (rock), PO (pop), JA (jazz) ou OF (off).

**RO (rock)** - Accentue les aigus et les graves de la musique.

**PO (pop)** - Accentue les voix et le médium de la musique.

**JA (jazz)** - Accentue les graves de la musique.

\* ou EQ sur la télécommande

- Le réglage du volume ou de la tonalité n'affecte pas l'enregistrement.

### Réglage de la minuterie de sommeil

Il est possible de mettre automatiquement l'appareil hors tension à une heure spécifiée.

- Maintenir REPEAT/SLEEP/FM MODE/OSC enfoncé jusqu'à ce que "30" clignote sur l'affichage.



- Dans les 4 secondes, appuyer sur ◀◀ ou ▶▶ pour spécifier la durée à l'issue de laquelle l'appareil doit se mettre hors tension.

Chaque fois qu'on appuie sur la touche, la durée passe de 10 à 90 minutes, par paliers de 10 minutes.



Durée spécifiée

Le point clignote tout le temps que la minuterie de sommeil fonctionne.

#### Pour vérifier le temps restant jusqu'à la mise hors tension

Recommencer l'opération 1 ci-dessus. Le temps restant s'affiche pendant 4 secondes.

#### Pour annuler la minuterie de sommeil

Afficher le temps restant et appuyer de façon répétée sur ◀◀ ou ▶▶ jusqu'à ce que OFF s'affiche.

#### REMARQUE

Si l'on met l'appareil hors tension pendant la lecture d'une cassette, ▶ de la platine ne se libère pas. Appuyer sur ■/▲ pour libérer ▶.





## Entretien

### Pour nettoyer le coffret

Utiliser un chiffon doux légèrement humecté d'une solution détergente douce. Ne pas utiliser de solvants puissants, par exemple de l'alcool, de la benzine ou du diluant pour peinture.

### Pour nettoyer les têtes

Lorsque les têtes de bande sont sales :

- les sons aigus ne sont pas reproduits
- le son n'est pas suffisamment élevé
- le son est déséquilibré
- l'effacement de la bande est impossible
- l'enregistrement de la bande est impossible

Toutes les 10 heures d'utilisation, nettoyer les têtes de bande avec une cassette de nettoyage de tête.

Utiliser une cassette de nettoyage de type sec ou de type humide, vendue séparément.

Pour les détails, voir les instructions de la cassette de nettoyage.

### Pour nettoyer la lentille

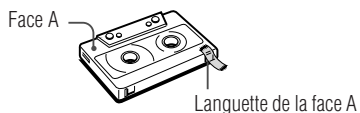
Utiliser un coton-tige légèrement humecté de liquide de nettoyage. Essuyer du centre vers la périphérie.

### Pour éviter tout effacement accidentel

Briser les ergots en plastique de la cassette à l'aide d'un tournevis ou de tout autre instrument pointu après l'enregistrement.

### Pour enregistrer de nouveau sur la cassette

Recouvrir les cavités des ergots avec du ruban adhésif ou autre.



## Specifications

### Tuner

#### FM

Plage d'accord 87,5 MHz à 108 MHz  
Sensibilité utile (IHF) 13,2 dBf  
Bornes d'antenne 75 ohms (asymétrique)

#### AM

Plage d'accord 530/531 kHz à 1710/1602 kHz  
(intervalle de 10/9 kHz)  
Sensibilité utile 350 µV/m  
Antenne Antenne cadre

### Platine à cassette

Format de piste 4 pistes, 2 canaux  
Réponse en fréquence Nominale: 50 Hz - 12500 Hz (EIAJ)  
Système d'enregistrement Polarisation CA  
Système d'effacement Magnétique d'effacement  
Têtes 1 tête d'enregistrement/lecture,  
1 tête d'effacement

### Lecteur CD

Pleurage et scintillement En deçà du seuil mesurable  
Méthode de balayage (scan) scanner optique anti-contact  
(laser semi-conducteur)

### Amplificateur

Puissance de sortie 1,9 W + 1,9 W (65 Hz à 15 kHz,  
THD inférieure 1%, 7 ohms)  
2,5 W + 2,5 W (1 kHz, THD 10%,  
7 ohms)  
Entrées AUX (400 mV)  
Sorties SPEAKERS: 7 ohms ou plus  
PHONES: Stéréo prises-mini

## Généralités (Appareil principal)

Alimentation électrique Secteur 120 V, 60 Hz  
Consommation électrique 20 W  
Dimensions (L x H x P) 146 x 216 x 206 mm  
Poids 2,1 kg  
Accessories télécommande, Antenne FM,  
Antenne AM LOOP

### Haut-parleurs

Haut-parleurs 100 mm cone type, 7 ohms  
Dimensions (L x H x P) 130 x 214 x 191 mm  
Poids 0,85 kg

Les spécifications et l'aspect extérieur peuvent être modifiés sans préavis.

## DROITS D'AUTEUR

Prière de vérifier les lois sur la propriété artistique relatives à l'enregistrement de disques, de la radio ou de cassettes dans le pays d'utilisation de l'appareil.

F



#### NOTE

This equipment has been tested and found to comply with the limits for a Class B digital device, pursuant to Part 15 of the FCC Rules. These limits are designed to provide reasonable protection against harmful interference in a residential installation.

This equipment generates, uses, and can radiate radio frequency energy and, if not installed and used in accordance with the instructions, may cause harmful interference to radio communications. However, there is no guarantee that interference will not occur in a particular installation. If this equipment does cause harmful interference to radio or television reception, which can be determined by turning the equipment off and on, the user is encouraged to try to correct the interference by one or more of the following measures:

- Reorient or relocate the receiving antenna.
- Increase the separation between the equipment and receiver.
- Connect the equipment into an outlet on circuit different from that to which the receiver is connected.
- Consult the dealer or an experienced radio/TV technician for help.

#### CAUTION

Modifications or adjustments to this product, which are not expressly approved by the manufacturer, may void the user's right or authority to operate this product.

8A-CLD-903-01  
000720ACK-U-FM  
Printed in China

For assistance and information  
**call toll free 1-800-BUY-AIWA**  
(United States and Puerto Rico)

**AIWA CO.,LTD.**

## Free Manuals Download Website

<http://myh66.com>

<http://usermanuals.us>

<http://www.somanuals.com>

<http://www.4manuals.cc>

<http://www.manual-lib.com>

<http://www.404manual.com>

<http://www.luxmanual.com>

<http://aubethermostatmanual.com>

Golf course search by state

<http://golfingnear.com>

Email search by domain

<http://emailbydomain.com>

Auto manuals search

<http://auto.somanuals.com>

TV manuals search

<http://tv.somanuals.com>