



AS-9631

INSTALLATION GUIDE FOR:

DUAL OUTPUT TIMER MODULE

Printed Taiwan

Form No. 128-4810

INTRODUCTION:

The Audiovox dual output timer module is designed to convert an alarm single ground pulse output to a double ground pulse output. This convenience circuit is designed to be used on late model Nissan Maxima, Infinity, Volvo, VW or any vehicle requiring two ground pulses to unlock all doors.

Do not use this unit if your installation requires two step unlock!

WIRING THE UNIT:

RED WIRE: + 12 VOLT DC BATTERY SOURCE

Connect the red wire of the module to a fused + 12 volt constant battery source.

BLACK WIRE: CHASSIS GROUND

Connect this wire to a solid, chassis ground source.

GREEN WIRE: TRIGGER INPUT

Connect this wire to the single negative unlock output wire from the alarm system.

BLUE WIRE: FIRST OUTPUT

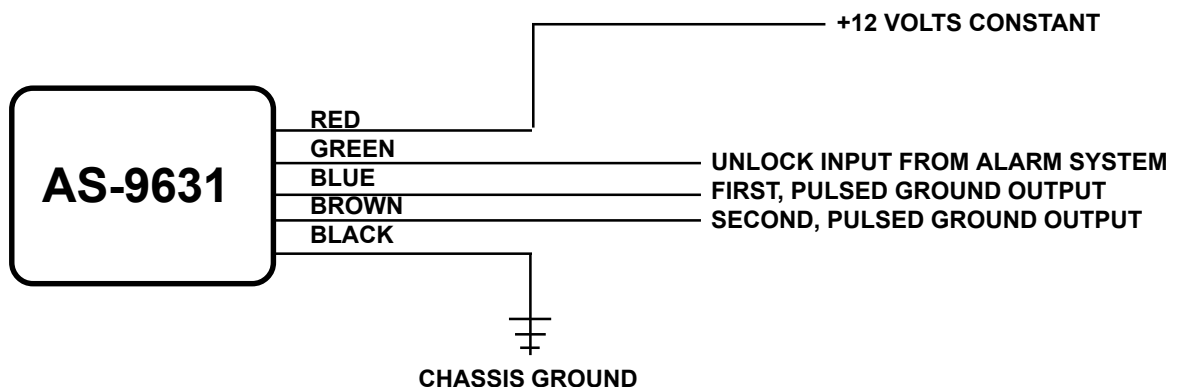
Connect this wire to the target wire in the vehicle. This is the wire that receives the first ground pulse when the unlock signal is activated.

BROWN WIRE: SECOND OUTPUT

Connect this wire to the target wire in the vehicle. This is the wire that receives the second ground pulse when the unlock signal is activated.

NOTE: If there is only one wire in the vehicle that receives the unlock first and second signals, connect both the blue and brown wires of the AS-9631 module to that wire.

Figure #1



Free Manuals Download Website

<http://myh66.com>

<http://usermanuals.us>

<http://www.somanuals.com>

<http://www.4manuals.cc>

<http://www.manual-lib.com>

<http://www.404manual.com>

<http://www.luxmanual.com>

<http://aubethermostatmanual.com>

Golf course search by state

<http://golfingnear.com>

Email search by domain

<http://emailbydomain.com>

Auto manuals search

<http://auto.somanuals.com>

TV manuals search

<http://tv.somanuals.com>