



SELECTABLE FEATURES

Note : The method of manual override can either be selected to operate from the valet switch or operate as custom code. Be certain to place a check mark indicating the method used in the box located on the last page of the owner's manual.

Dip Switch Selectable Features :

Switch Number	ON Position	OFF Position	Factory Default
Dip Switch 1	Custom Code Override	Valet Switch Override	Custom Code Override
Dip Switch 2	Voltage Sense	Hardwire	Voltage Sense

Note : When both Passive Arming and Voltage Sensing are selected, you must hardwire the driver's door pin switch in order to begin the passive arming sequence.

RF Programmable Features :

Feature Selection	1 Chirp	2 Chirps	Default
First	1 Second Door Locks	3.5 Second Door Locks	1 Second
Second	Auto Lock On	Auto Lock Off	Auto Lock Off
Third	Auto Unlock On	Auto Unlock Off	Auto Unlock Off
Fourth	Headlight Output On	Headlight Output Off	Headlight On
Fifth	Passive Door Locks	Active Door Locks	Passive Locks
Sixth	Passive Arming	Active Arming	Active Arming

To program these selectable features;

	Action	System Response
	Turn ignition on	No response
	Flip valet switch on then off 3 times	1 Chirp - LED 1 flash
	Within 3 seconds, turn ignition Off	Short chirp, then long chirp
First	Then On Press transmitter button 1 to change or	1 chirp = 1 second door locks 2 chirps = 3.5 second door locks
Second	Flip valet switch on then off Press transmitter button 1 to change or	2 chirps = auto locks off 1 chirp = auto locks on
Third	Flip valet switch on then off Press transmitter button 1 to change or	2 chirps = auto unlock off 1 chirp = auto unlock on
Fourth	Flip valet switch on then off Press transmitter button 1 to change or	1 chirp = headlight output on 2 chirps = headlight output off
Fifth	Flip valet switch on then off Press transmitter button 1 to change or	1 chirp = passive locks 2 chirps = active locks
Sixth	Flip valet switch on then off Press transmitter button 1 to change or	1 chirp = passive arming 2 chirps = active arming
	Flip valet switch on then off or	Exit program mode
	Turn ignition key off	Exit program mode

Note : Once you enter the feature programming mode, do not allow more than 15 seconds to pass between steps, or the programming will be terminated.

INSTALLATION OF MAJOR COMPONENTS

Control Module :

Select a mounting location inside the passenger compartment (up behind the dash), and secure using the two screws provided. The control module can also be secured in place using cable ties.

Do not mount the control module in the engine compartment, as it is not waterproof. You should also avoid mounting the unit directly onto factory installed electronic components. These components may cause RF interference, which can result in poor transmitter range or intermittent operation.

Siren :

Select a mounting location in the engine compartment that is well protected from access below the vehicle. Avoid areas near high heat components or moving parts within the engine compartment. To prevent water retention, the flared end of the siren must be pointed downward when mounted.

Mount the siren to the selected location using the screws and bracket provided.

Hood or Trunk Pin Switch :

A pin switch is included for use in protecting the hood or trunk (or hatchback) of the vehicle. The switch must always be mounted to a grounded, metal surface of the vehicle. It is important to select a location where water cannot flow or collect, and to avoid all drip gutters on hood and trunk fender walls. Choose locations that are protected by rubber gaskets when the hood or trunk lid is closed.

The pin switch can be mounted using the bracket provided, or direct mounted by drilling a ¼ " diameter mounting hole. Keep in mind that when properly mounted, the plunger of the pin switch should depress at least ¼ " when the hood or trunk lid is closed.

Dash Mounted L.E.D. :

A small red L.E.D. is included that will serve as a visual indicator of the alarm status. It should be installed in the dash, located where it can be easily seen from outside the vehicle, yet not be distracting to the driver.

Once a location has been selected, check behind the panel for wire routing access, and to confirm the drill will not damage any existing components as it passes through the panel.

Drill a ¼ " diameter hole, and pass the red and blue wires from the L.E.D. through the hole, from the front of the panel. Firmly press the body of the L.E.D. into the hole until fully seated.

Valet Switch :

Select a mounting location for the switch that is easily accessible to the driver of the vehicle. The switch does not have to be concealed, however, concealing the switch is always recommended, as this provides an even higher level of security to the vehicle.

The valet switch can be mounted to the lower side of the dash by drilling a ¼ " diameter hole in the selected location.

Be sure to check behind the dash for adequate clearance for the body of the switch, and to confirm that the drill will not damage any existing components as it passes through the dash. You should also make certain that the back of the switch is accessible for wiring later in the installation.

Shock Sensor :

Select a solid mounting surface for the shock sensor on the firewall inside the passenger compartment, and mount the sensor using the two screws provided. The shock sensor can also be secured to any fixed brace behind the dash using tie straps.

Whichever mounting method is selected, make certain that the sensitivity adjustment is accessible for use later in the installation.

WIRING THE SYSTEM

Large 8 Pin Edge Connector :

Red Fused Wire : + 12 VDC CONSTANT BATTERY SOURCE

This wire controls the sensitivity of the voltage sensing circuit, which detects the turning on of an interior light when a door is opened. It will also detect the switching on of parking or headlamps, and in many cases will trigger the alarm when a thermostatically controlled electronic radiator cooling fan switches on.

When installing this system into vehicles with electronic " after fans ", it is recommended you disable the voltage sense circuit.

In voltage sensing applications, the closer to the battery that the red wire is connected, the less sensitive the voltage sense circuitry will be. Moving this connection point to the fuse panel will increase the sensitivity, and connecting to the courtesy lamp fuse in the vehicle will provide maximum sensitivity of the voltage sense circuit.

When hardwiring the control module to pin switches at all entry points, the voltage sense circuit must be disabled. Move dip switch # 2 to the off position, then connect the red wire to a + 12 VDC constant battery source.

White Wire : + 12 VDC PULSED PARKING LIGHT OUTPUT (15 Amp Max)

This wire is provided to flash the vehicle's parking lights. Connect the white wire to the positive side of one of the vehicle's parking lights.

Black Wire : CHASSIS GROUND

Connect this wire to a solid, metal part of the vehicle's chassis. Do not confuse this wire with the thin black antenna wire that exits the control module independently.

White w/ Black Trace Wire : POSITIVE OUTPUT TO SIREN

Route this wire through a rubber grommet in the firewall, and to the siren location.

Connect the white / black wire to the positive wire of the siren. Secure the black ground wire of the siren to chassis ground.

Dark Blue Wire : DELAYED 300 mA PULSED OUTPUT / CHANNEL 2

The dark blue wire pulses to ground via an independent RF channel from the keychain transmitter. This is a transistorized, low current output, and should only be used to drive an external relay coil.

WARNING: Connecting the dark blue wire to the high current switched output of trunk release circuits, some remote start trigger inputs, will damage the control module.

Connect the dark blue wire to terminal 86 of the AS - 9256 relay (or equivalent 30 A automotive relay), and wire the remaining relay contacts to perform the selected function of channel 2.

Dark Green w/ White Trace Wire : ENTRY ILLUMINATION (300 mA max.)

The dark green w/ white trace wire provides a 30 second ground signal whenever the system is disarmed, and pulses ground whenever the system is triggered.

It should be used to provide the (optional) entry lighting, and to flash the vehicle's dome light while the alarm is sounding. This is a transistorized, low current output, and should only be used to drive an external relay coil.

Connect the dark green with white trace wire to terminal 86 of the AS - 9256 relay (or equivalent 30 A automotive relay), and wire the remaining relay contacts according to the polarity of the dome light circuit in the vehicle.

NOTE : When wiring this feature in vehicles with factory equipped delay lighting circuits, it is best to connect to the output of the timer which feeds the dome light, rather than at the door switch. This will ensure that the dome light pulses when the alarm is triggered.

Orange Wire : 300 mA GROUND OUTPUT WHEN ARMED - N. C. STARTER DISABLE

This wire is provided to control the starter cut relay. Connect the orange wire to terminal 86 of the relay. Connect relay terminal 85 to an ignition wire in the vehicle that is live when the key is in the on and crank positions, and off when the key is in the off position. (This is where the yellow wire from the alarm should be connected).

Cut the low current starter solenoid wire in the vehicle, and connect one side of the cut wire to relay terminal 87A. Connect the other side of the cut wire to relay terminal 30.

Note : This is a normally closed starter cut arrangement, and when power is removed from the security system, the starter disable feature will not operate, allowing the vehicle to start. Audiovox does not recommend using the Orange wire to interrupt anything but the starting circuit of the vehicle.

Mini 10 Pin Edge Connector :

Light Green Wire : (-) INSTANT TRIGGER ZONE 1

This is an instant on ground trigger wire. This wire (zone) should be reserved for connection to optional ground output trigger devices such as motion and / or shock impact sensors.

White w/ Blue Trace Wire : HEADLIGHT OUTPUT - ARM & DISARM

The white w/ blue trace wire is provided to control the optional headlight illumination feature of the system. This is a transistorized, low current (300 mA) output, and should only be used to drive an external relay coil.

This wire provides a 30 second ground signal whenever the system is remotely armed or disarmed..

Connect the white w/ blue trace wire to terminal 86 of the AS 9256 relay (or an equivalent 30 Amp automotive relay), and connect relay terminal 85 to a fused + 12 VDC battery source. Connect relay terminal 87 to one of the low beam headlight wires in the vehicle, and connect relay terminal 30 to either chassis ground or a fused (15 Amp Min) + 12 VDC battery source, depending on the polarity of the headlight circuit in the vehicle.

Yellow Wire : + 12 VDC IGNITION SOURCE

Connect this wire to a source that is live when the key is in the on and crank positions. Be sure that this source is off when the key is in the off position.

Purple Wire : + DOOR TRIGGER

If the vehicle's door courtesy light switches have a + 12 volt output when the door is opened (most Fords and some Imports), you must connect this wire to the positive output from one of the door switches. In most cases, the purple wire will only need to be connected to one door switch, no matter how many doors the vehicle has.

WARNING : Do not use the purple wire if the vehicle has ground output type door switches. (see Brown Wire).

Brown Wire : - DOOR TRIGGER

If the vehicle's courtesy light switches have a (-) ground output when the door is opened (GM and most Imports), you must connect this wire to the negative output from one of the door switches.

WARNING : Do not use the brown wire if the vehicle has + 12 volt output type door switches. (see Purple Wire).

Dark Green Wire : (-) INSTANT TRIGGER ZONE 2

This is an instant on ground trigger wire. It must be connected to the previously installed hood and trunk pin switches.

Orange w/ White Trace Wire : 300 mA Ground Output When Disarmed - N. O. Starter Disable

This wire is provided to control the starter cut relay. Connect the orange w/white trace wire to terminal 86 of the relay. Connect relay terminal 85 to an ignition wire in the vehicle that is live when the key is in the on and crank positions, and off when the key is in the off position. (This is where the yellow wire from the alarm should be connected).

Cut the low current starter solenoid wire in the vehicle, and connect one side of the cut wire to relay terminal 87. Connect the other side of the cut wire to relay terminal 30.

Note : This is a normally opened starter cut arrangement, and when power is removed from the security system, the starter disable feature will remain operational, and the vehicle will not start. Audiovox does not recommend using the Orange w/ White trace wire to interrupt anything but the starting circuit of the vehicle.

Black w/ White Trace Wire : 300 mA Horn Output

The black w/ white trace wire is provided to beep the vehicle's horn. This is a transistorized low current output, and should only be connected to the low current ground output from the vehicle's horn switch.

If the vehicle uses a + 12 VDC horn switch, then connect the black w/ white trace wire to terminal 86 of the AS 9256 relay (or an equivalent 30 Amp automotive relay), and connect relay terminal 85 to a fused + 12 VDC battery source. Connect relay terminal 87 to the vehicle's horn switch output, and connect relay terminal 30 to a fused + 12 VDC battery source.

Dark Green w/ Black Trace Wire : Latching Output / Channel 3

The green w/ black trace wire latches to ground via an independent RF channel from the keychain transmitter. This is a transistorized, low current (300 mA) output, and should only be used to drive an external relay coil.

This wire provides an immediate ground signal, and stays at ground for as long as the button(s) on the keychain transmitter remain pressed.

WARNING ! Connecting the dark green w/ black trace wire to the high current switched output of trunk release circuits will damage the control module.

Connect the dark green w/ black trace wire to terminal 86 of the AS 9256 relay (or an equivalent 30 Amp automotive relay), and wire the remaining relay contacts to perform the selected function of channel 3.

Light Blue Wire : Latching Output / Channel 4

The light blue wire latches to ground via an independent RF channel from the keychain transmitter. This is a transistorized, low current (300 mA) output, and should only be used to drive an external relay coil.

This wire provides an immediate ground signal, and stays at ground for as long as the button(s) on the keychain transmitter remain pressed.

WARNING ! Connecting the light blue wire to the high current switched output of trunk release circuits will damage the control module.

Connect the light blue wire to terminal 86 of the AS 9256 relay (or an equivalent 30 Amp automotive relay), and wire the remaining relay contacts to perform the selected function of channel 4.

2 Pin Blue Connector : Valet Switch

Route the grey and black wires in the 2 pin connector from the valet switch to the control module, and plug it into the mating blue connector on the side of the module.

2 Pin White Connector : Dash Mounted L.E.D.

Route the red and blue wires in the 2 pin white connector from the L.E.D. to the control module, and plug it into the mating white connector on the side of the module.

4 Pin White Connector : SHOCK SENSOR

Route the red, black, blue, and green wires in the 4 pin white connector from the shock sensor to the control module, and plug one end into the shock sensor, and the other end into the mating white connector on the side of the module.

Red & Green 2 Pin White Connector : DOOR LOCK OUTPUTS

These wires will provide either a pulsed ground output to the factory door lock control relay, or a pulsed + 12 volt output to the factory door lock control relay. In either case, the maximum current draw through these outputs must not exceed 300 mA.

3 Wire Ground Switched Door Locks

In this application, the **red wire** provides a ground pulse during arming, or the **pulsed ground lock** output. Connect the red wire to the wire that provides a low current ground signal from the factory door lock switch to the factory door lock control relay.

The **green wire** provides a ground pulse during disarming, or the **pulsed ground unlock** output. Connect the green wire to the wire that provides a low current ground signal from the factory door unlock switch to the factory door lock control relay.

3 Wire Positive Switched Door Locks

In this application, the **red wire** provides a positive pulse during disarming, or the **pulsed + 12 volt unlock** output. Connect the red wire to the wire that provides a low current positive signal from the factory door unlock switch to the factory door lock control relay.

The **green wire** provides a positive pulse during arming, or the **pulsed + 12 volt lock** output. Connect the green wire to the wire that provides a low current positive signal from the factory door lock switch to the factory door lock control relay.

4 Wire Polarity Reversal and 5 Wire Alternating 12 Volt Door Lock Control Circuits

In these applications, the AS 9159 Door Lock Interface (or equivalent 30 A automotive relays) must be used. Refer to the AUDIOVOX Door Lock Wiring Supplement for proper connection to these types of circuits.

COMPLETING THE INSTALLATION

Antenna Wire : Be sure to extend the thin black antenna wire to it's full length, and cable tie into place where it cannot be damaged. Avoid wrapping this wire around major, high current wire looms.

Adjusting the Shock Sensor : The sensitivity of the pre - detect circuit is automatically set 30% less sensitive than the full trigger circuit.

Using a small screwdriver, gently turn the adjustment screw fully counterclockwise. (DO NOT over turn this screw. Maximum rotation for this adjustment is 270°). Close the hood and trunk lids, and arm the alarm. Wait 6 seconds for the accessories trigger zone to stabilize, then firmly strike the rear bumper with the side of a closed fist considering the amount of force required to break a window.

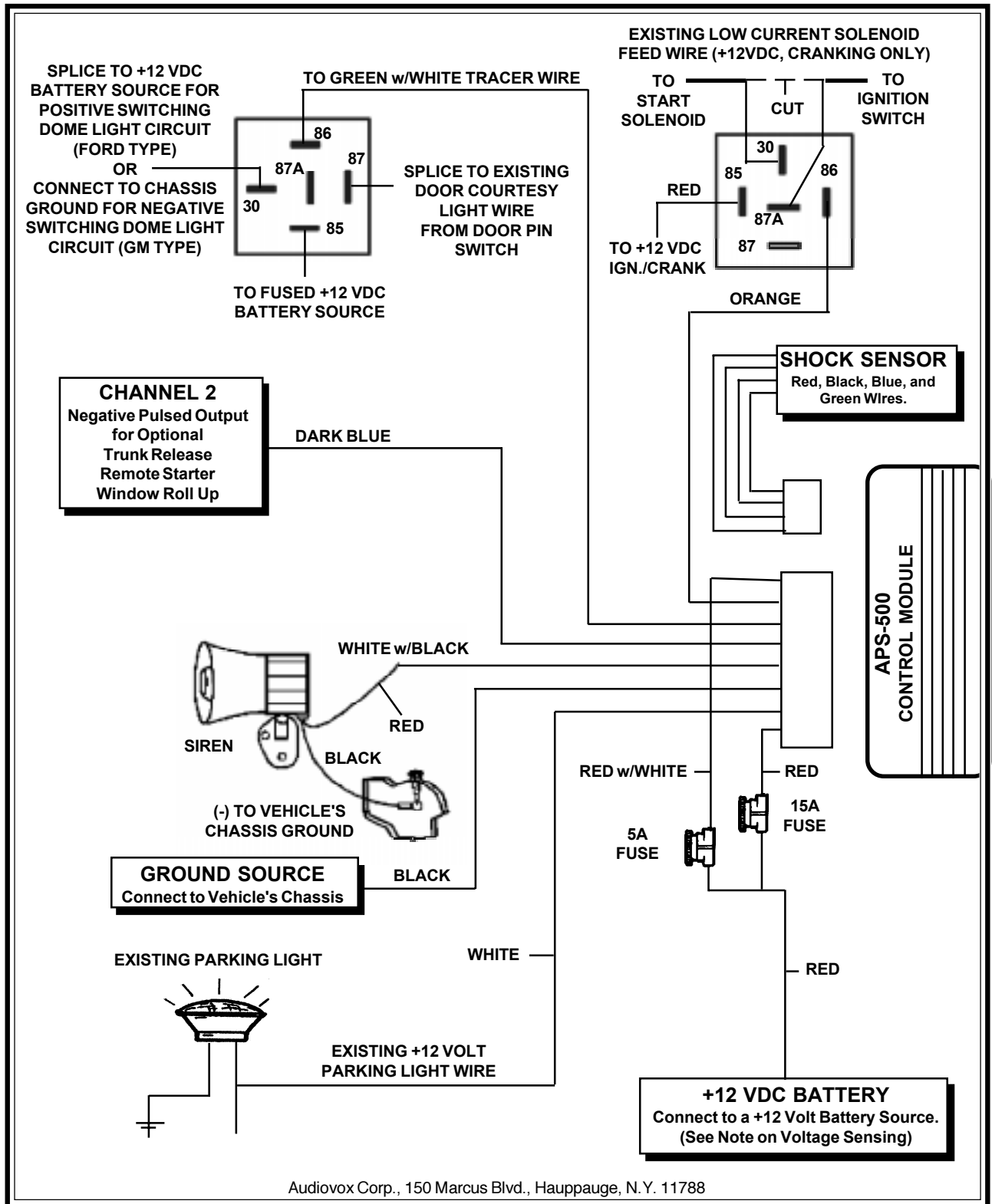
CAUTION : Never perform this test on the vehicle's glass, as you may break the window.

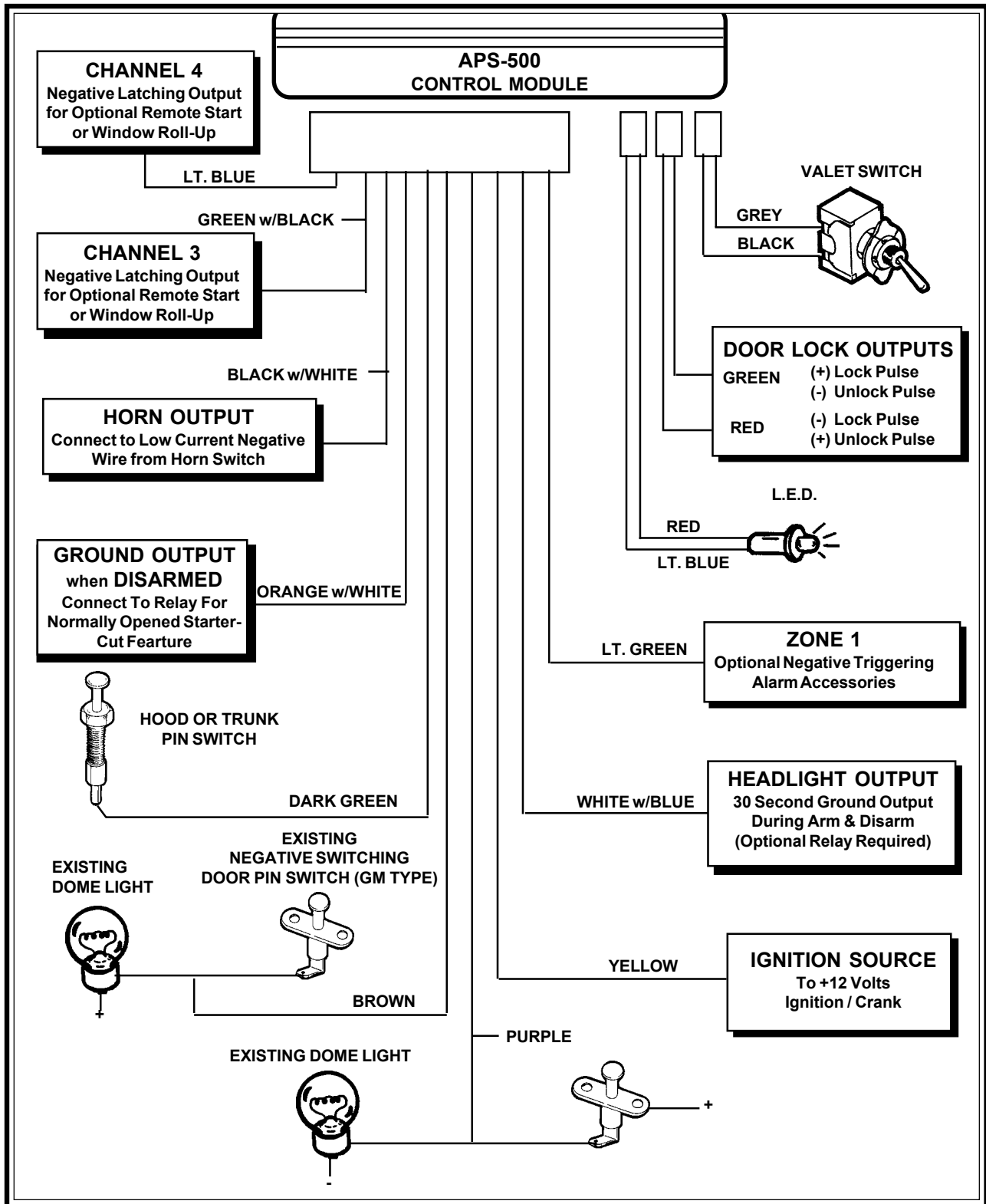
Turn the adjustment screw clockwise (increasing sensitivity) about ¼ turn and re - test. Repeat this procedure until the alarm sounds. Ultimately, one firm strike to the rear bumper will cause the alarm to emit pre - detect warning tones.

WARNING ! Setting the sensitivity too high can cause false alarms due to noise vibrations from passing trucks and heavy equipment. To decrease sensitivity, turn the adjustment screw counter clockwise.

Wire Dressing : Always wrap the alarm wires in convoluted tubing, or with a spiral wrap of electrical tape. Secure these looms along the routing using cable ties. This will ensure that the alarm wires are not damaged by falling onto hot or sharp moving surfaces in the vehicle.

Operation : Take a few moments to check off the appropriate option boxes in the owner's manual, and to fully explain the operation of the system to your customer.







SÉLECTION DES FONCTIONS

Remarque: On peut choisir une des deux méthodes de dérivation manuelle: soit par l'interrupteur de service voiturier, soit par le code personnalisé. Assurez-vous de bien indiquer quelle est la méthode employée en cochant la case appropriée à la dernière page du manuel d'utilisation.

Fonctions sélectionnées par commutateur (*DIP switches*):

Numéro de commutateur	Position Marche [ON]	Position Arrêt [OFF]	Positions par défaut
Commutateur 1	Dérivation par code personnalisé	Dérivation par interrupteur de service voiturier	Dérivation par code personnalisé
Commutateur 2	Détecteur de tension	Câblage	Détecteur de tension

Remarque: Lorsqu'on choisit à la fois l'armement passif et la détection de tension, il faut que le contacteur de la porte du conducteur soit compris dans le circuit de montage pour que la séquence d'armement passif puisse commencer.

Fonctions programmables sur les canaux de radiofréquence:

Fonction par défaut	Une tonalité	Deux tonalités	Défaut
Première	Verrouillage des portes après 1 seconde	Verrouillage des portes après 3,5 secondes	1 seconde
Deuxième	Verrouillage automatique sur Marche	Verrouillage automatique sur Arrêt	Verrouillage automatique sur Arrêt
Troisième	Déverrouillage automatique sur Marche	Déverrouillage automatique sur Arrêt	Déverrouillage automatique sur Arrêt
Quatrième	Signal des feux de route sur Marche	Signal des feux de route sur Arrêt	Signal des feux de route sur Marche
Cinquième	Verrouillage de porte passif	Verrouillage de porte actif	Verrouillage de porte passif
Sixième	Armement passif	Armement actif	Armement actif

Pour programmer ces fonctions au choix:

Action	Réponse du système
Tourner la clé de contact sur Marche	Aucune réponse
Basculer le commutateur Valet sur Marche, puis sur Arrêt, trois fois de suite	Une tonalité - La DEL 1 clignote
Dans un délai de trois secondes, tourner la clé de contact sur Arrêt	Son bref, puis son long
Première Puis en position de marche Appuyer sur le bouton 1 du transmetteur pour changer ou	Une tonalité = verrouillage de porte en 1 seconde Deux tonalités = verrouillage de porte en 3,5 secondes
Deuxième Basculer le commutateur Valet sur Marche, puis sur Arrêt Appuyer sur le bouton 1 du transmetteur pour changer ou	Deux tonalités = verrouillage automatique sur Arrêt Une tonalité = verrouillage automatique sur Marche
Troisième Basculer le commutateur Valet sur Marche, puis sur Arrêt Appuyer sur le bouton 1 du transmetteur pour changer ou	Deux tonalités = verrouillage automatique sur Arrêt Une tonalité = verrouillage automatique sur Marche
Quatrième Basculer le commutateur Valet sur Marche, puis sur Arrêt Appuyer sur le bouton 1 du transmetteur pour changer ou	Une tonalité = signal des feux de route sur Marche Deux tonalités = signal des feux de route sur Arrêt
Cinquième Basculer le commutateur Valet sur Marche, puis sur Arrêt Appuyer sur le bouton 1 du transmetteur pour changer ou	Une tonalité = verrouillage de porte passif Deux tonalités = verrouillage de porte actif
Sixième Mettez l'interrupteur à marche puis à arrêt Appuyez sur le bouton 1 de l'émetteur pour changer ou	Une tonalité = armement passif Deux tonalités = armement actif
Basculer le commutateur Valet sur Marche, puis sur Arrêt ou	Mode sortie de programme
Tourner la clé de contact sur Arrêt	Mode sortie de programme

Remarque: Une fois que l'on est entré dans le mode de programmation, ne pas laisser plus de 15 secondes s'écouler entre les opérations, sinon la programmation se termine automatiquement.

INSTALLATION DES COMPOSANTS PRINCIPAUX

MODULE DE COMMANDE:

Choisir un emplacement de fixation à l'intérieur du compartiment passager (en haut sous le tableau de bord) et serrer à l'aide des deux vis fournies. On peut également fixer le module de commande en place à l'aide de serre-câbles.

Ne pas monter le module de commande dans le compartiment moteur, car il n'est pas étanche. Ne pas non plus monter l'appareil directement sur des composants électroniques installés d'usine. Ces composants risquent de provoquer des perturbations radio-fréquence dont les conséquences possibles sont une faible gamme de portée ou un fonctionnement intermittent.

SIRÈNE:

Choisir sur le compartiment moteur un emplacement de montage bien protégé de l'accès par le dessous du véhicule. Éviter les zones à proximité de composants à température élevée ou de pièces en mouvement à l'intérieur du compartiment moteur. Pour empêcher toute rétention d'eau, orienter le bord évasé de la sirène vers le bas lors du montage. Monter la sirène à l'emplacement choisi en utilisant les vis et le support fournis.

CONTACTEUR DE CAPOT OU DE COFFRE:

Un contacteur est fournis pour permettre la protection du capot ou du coffre (ou du hayon) du véhicule. Toujours monter le interrupteur sur une surface métallique mise à la masse du véhicule. Il est important de choisir un emplacement dans lequel l'eau ne peut pas couler ou s'accumuler et d'éviter toutes les gouttières possibles dans les parois des ailes à l'intérieur du capot ou du coffre.

Choisir les emplacements protégés par des joints en caoutchouc lorsque le capot ou le couvercle du coffre sont fermés.

On peut monter le contacteur en utilisant le support, ou directement, en perçant un trou de fixation de 6,35 mm (1/4 po). Ne pas oublier que, s'il est correctement monté, le plongeur doit s'enfoncer d'au moins 6,35 mm (1/4 po) une fois le capot ou le coffre fermés.

VOYANT DEL MONTÉ SUR TABLEAU DE BORD:

Le petit voyant rouge DEL inclus sert d'indicateur visuel de l'état de l'alarme. L'installer sur le tableau de bord, à un endroit où il se voit facilement de l'extérieur du véhicule, sans toutefois gêner le conducteur. Une fois l'emplacement choisi, s'assurer que l'acheminement des câbles est possible et que le foret n'endommagera aucun composant existant lors du perçage du tableau.

Percer un trou de diamètre 6,35 mm (1/4 po), maintenir et passer les fils bleu et rouge de la DEL par le trou, depuis l'avant du panneau. Appuyer fermement sur le corps de la DEL dans le trou jusqu'à ce qu'il soit fermement enfoncé.

COMMUTATEUR VALET:

Choisir un emplacement de montage qui soit d'accès facile pour le conducteur du véhicule. Il n'est pas indispensable que le commutateur soit caché, toutefois, il est toujours recommandé de le cacher car ceci procure un niveau de sécurité supplémentaire au véhicule.

Le commutateur Valet peut être monté sur le côté inférieur du tableau de bord en perçant un trou de 1/4 de pouce de diamètre à l'endroit choisi.

Il faut d'abord inspecter l'arrière du tableau de bord pour s'assurer qu'il y ait un dégagement suffisant pour le corps du commutateur et que la perceuse ne risque pas d'endommager les composants existants au cours du percement du tableau de bord. Il faut également veiller à ce que l'arrière du commutateur reste accessible au câblage qui sera effectué un peu plus tard.

DÉTECTEUR DE TENSION:

Choisir une surface de montage pleine pour le détecteur de tension, sur la paroi coupe-feu, à l'intérieur du compartiment passager, et monter le détecteur de tension à l'aide des deux vis fournies avec l'appareil. Le détecteur de tension peut aussi être fixé à toute patte de fixation située derrière le tableau de bord, à l'aide d'attaches.

Quelle que soit la méthode de montage choisie, il faut s'assurer que le réglage de sensibilité soit accessible pour usage ultérieur au cours de l'installation.

CÂBLAGE DU SYSTÈME

Gros connecteur de bord à 8 broches:

FIL ROUGE À FUSIBLE: TENSION POSITIVE 12 VOLTS, COURANT CONTINU STABLE DE LA BATTERIE

Ce fil commande la sensibilité du circuit de détection de tension qui capte l'allumage et l'extinction des lampes intérieures lorsqu'on ouvre une porte. Il détecte également l'allumage des feux de position ou de route, et dans de nombreux cas, il déclenche l'alarme lorsque le ventilateur de refroidissement du radiateur à commande par thermostat électronique est mis en marche.

Lorsqu'on installe ce système dans un véhicule équipé de ventilateurs à temporisation électronique, il est recommandé de désactiver le circuit de détection de tension.

Dans les applications à détection de tension, plus la connexion du fil rouge est proche de la batterie, moindre est la sensibilité du détecteur de tension. On augmente la sensibilité lorsqu'on effectue la connexion au tableau de fusibles, et l'on obtient la sensibilité maximum lorsqu'on effectue la connexion au fusible de la lampe intérieure passager.

Lorsqu'on câble le module de commande aux contacteurs de porte à tous les points d'accès, le circuit de détection de tension doit être désactivé. Placer le Dip Switch N° 2 sur la position Arrêt, puis connecter le fil rouge au courant continu stable de 12 volts de la batterie.

FIL BLANC : SORTIE DE FEUX DE STATIONNEMENT À IMPULSIONS +12 VCC (15A MAX)

Ce fil est fourni pour faire clignoter les feux de stationnement du véhicule.

Brancher le fil blanc sur le côté positif de l'un des feux de stationnement du véhicule.

FIL NOIR-MASSE CHÂSSIS:

Brancher ce fil sur une pièce métallique pleine du châssis du véhicule. Ne pas confondre ce fil avec le mince fil noir d'antenne qui sort indépendamment du module de commande.

FIL BLANC À FILET NOIR : SORTIE POSITIVE À LA SIRÈNE

Faire passer ce fil dans une cloison coupe-feu munie d'un passe-fil en caoutchouc et l'amener à l'emplacement de la sirène.

Brancher le fil blanc à filet noir sur le fil positif de la sirène. Fixer le fil de masse noir de la sirène sur la masse du châssis.

FILS BLEU FONCÉ - RETARDER SORTIE À IMPULSIONS DE 300 MA VOIE 2:

Le fil bleu foncé fournit des impulsions de masse par l'intermédiaire de la voie radiofréquence d'un émetteur indépendant de la chaîne porte-clés. Ce circuit transistorisé fournit une sortie à faible courant et ne doit s'utiliser que pour commander une bobine de relais extérieur.

AVERTISSEMENT: Le module de commande sera endommagé si l'on branche le fil bleu foncé sur la sortie commutée à courant fort du circuit d'ouverture du coffre ou sur certaines entrées de déclenchement du démarreur à distance.

Brancher le fil bleu foncé sur la borne 86 du relais AS-9256 (ou un relais automobile de 30 A équivalent), et câbler les contacts restants du relais pour réaliser les fonctions sélectionnées de la voie 2.

FILS VERT FONCÉ À FILET BLANC-ÉCLAIRAGE D'ENTRÉE (300mA maximum):

Le fil vert foncé à filet blanc fournit un signal de masse pendant 30 secondes chaque fois que le système est désarmé, et des impulsions de masse chaque fois que le système est enclenché. Il est utilisé pour fournir (en option) l'éclairage d'entrée et il fait clignoter l'éclairage du plafonnier du véhicule pendant que l'alarme sonne.

Ce circuit transistorisé fournit une sortie à faible courant et ne doit s'utiliser que pour commander une bobine de relais extérieur.

Brancher le fil vert foncé à filet blanc sur la borne 86 du relais AS-9256 (ou un relais automobile de 30 A équivalent), et câbler les contacts restants du relais en fonction de la polarité du circuit plafonnier du véhicule.

NOTE : Lors du câblage de cette option dans les véhicules équipés d'usine de circuits d'éclairage retardé, il vaut mieux se brancher sur la sortie de la minuterie qui alimente le plafonnier plutôt que sur les interrupteurs de porte. Ceci permet d'assurer le clignotement du plafonnier lors du déclenchement de l'alarme.

FIL ORANGE: SORTIE DE MISE À LA MASSE DE 300 mA LORSQUE LE CIRCUIT EST ARMÉ. CIRCUIT NORMALEMENT OUVERT, DÉSACTIVATION DU DÉMARREUR

Ce fil est fourni pour commander le relais de coupure du circuit de démarreur. Connecter le fil orange à la borne 86 du relais. Connecter la borne 85 du relais à un fil d'allumage du véhicule qui est chaud lorsque la clé de contact est sur Marche et Allumage, et hors tension lorsque la clé de contact est sur Arrêt. (Ceci est l'endroit où le fil jaune de l'alarme doit être connecté.)

Couper le fil de faible courant du solénoïde de démarreur du véhicule et connecter un côté du fil coupé à la borne 87A du relais. Connecter l'autre côté du fil coupé à la borne 30 du relais.

Remarque: Il s'agit d'un aménagement de coupure de circuit de démarreur normalement fermé et lorsque le système de sécurité est hors tension, la fonction de désactivation du démarreur est inopérante, permettant au véhicule de démarrer. Audiovox ne recommande l'usage du fil orange que pour la coupure du circuit de démarreur du véhicule et rien d'autre.

Mini-connecteur de bord à 10 broches:

FIL VERT PÂLE -: (-) ZONE 1 DE DÉCLENCHEMENT INSTANTANÉ

C'est un fil à déclenchement instantané par la masse. Ce fil (zone) doit être réservé au raccordement d'appareils en option à déclenchement par la masse tels que les détecteurs de déplacement et/ou de chocs.

FIL BLANC À RUBAN BLEU: SIGNAL DES FEUX DE ROUTE - ARMEMENT ET DÉSARMEMENT

Le fil blanc à ruban bleu est fourni pour commander la fonction optionnelle d'allumage des feux de route du système. Il s'agit d'un signal de sortie transistorisée, de faible courant (300 mA), qui doit être utilisé uniquement pour actionner une bobine de relais externe.

Ce fil fournit un signal de terre de 30 secondes chaque fois que le système est armé ou désarmé par télécommande.

Connecter le fil blanc à ruban bleu à la borne 86 du relais AS 9256 (ou un relais équivalent de 30 ampères pour véhicule automobile), et connecter la borne de relais 85 à un fil avec fusible alimenté par le courant continu de 12 volts de la batterie. Connecter la borne de relais 87 à l'un des fils de feux de croisement du véhicule et connecter la borne de relais 30, soit au fil de mise à la masse, soit à un fil avec fusible (15 A minimum) alimenté par le courant continu de 12 volts de la batterie, selon la polarité du circuit des feux de route du véhicule.

FIL JAUNE: ALIMENTATION DU DÉMARREUR EN COURANT CONTINU DE 12 VOLTS

Connecter ce fil à une source chaude lorsque la clé de contact est sur les positions Marche et Allumage. S'assurer que cette source soit hors tension lorsque la clé de contact est sur Arrêt.

FIL VIOLET : (+) DÉCLENCHEMENT DE PORTE

Si l'interrupteur de l'éclairage d'accueil de la porte du véhicule possède une sortie +12 V lorsque la porte est ouverte (la plupart des voitures Ford et certaines voitures d'importation), brancher ce fil sur la sortie positive de l'un des interrupteurs de porte. Dans la plupart des cas, il suffit de brancher le fil violet sur un seul interrupteur de porte, quel que soit le nombre de portes du véhicule.

AVERTISSEMENT: Ne pas utiliser le fil violet si le véhicule possède des interrupteurs de porte de type à sortie par la masse. (Voir fil marron).

FIL MARRON : (-) DÉCLENCHEMENT DE PORTE

Si les interrupteurs d'éclairage d'accueil de porte du véhicule possèdent une sortie masse négative lorsque la porte est ouverte (GM et la plupart des voitures importées), brancher ce fil sur la sortie négative de l'un des interrupteurs de porte.

AVERTISSEMENT: Ne pas utiliser le fil marron si le véhicule est équipé d'interrupteurs de porte à sortie +12 V. (Voir fil violet).

FIL VERT FONCÉ : (-) ZONE 2 DE DÉCLENCHEMENT INSTANTANÉ

C'est un fil à déclenchement instantané par la masse. Il faut le brancher sur les contacteurs de capot et de coffre déjà installés.

FIL ORANGE À RUBAN BLANC: SORTIE DE MISE À LA MASSE DE 300 mA - CIRCUIT NORMALEMENT OUVERT, DÉSACTIVATION DU DÉMARREUR

Ce fil est fourni pour commander le relais de coupure du démarreur. Connecter le fil orange à ruban à blanc la borne 86 du relais. Connecter la borne 85 du relais à un fil d'allumage du véhicule qui est chaud lorsque la clé de contact est sur Marche et Allumage, et hors tension lorsque la clé de contact est sur Arrêt. (Ceci est l'endroit où le fil jaune de l'alarme doit être connecté.)

Couper le fil de faible courant du solénoïde de démarreur du véhicule et connecter un côté du fil coupé à la borne 87 du relais. Connecter l'autre côté du fil coupé à la borne 30 du relais.

Remarque: Il s'agit d'un aménagement de coupure de circuit de démarreur normalement ouvert et lorsque le système de sécurité est hors tension, la fonction de désactivation du démarreur reste opérationnelle et le véhicule ne peut pas démarrer. Audiovox ne recommande l'usage du fil orange à ruban blanc que pour la coupure du circuit de démarreur du véhicule et rien d'autre.

FIL NOIR À RUBAN BLANC: SORTIE DE 300 mA DE L'AVERTISSEUR SONORE.

Le fil noir à ruban blanc est fourni pour faire permettre à l'avertisseur sonore d'émettre des tonalités d'alarme. Il s'agit d'une sortie transistorisée à faible courant qui doit être connectée uniquement à la sortie de la mise à la masse de faible courant du commutateur d'avertisseur sonore.

Si le véhicule possède un commutateur d'avertisseur sonore alimenté en courant continu de 12 volts, il faut alors connecter le fil noir à ruban blanc à la borne 86 du relais AS 9256 (ou un relais équivalent de 30 ampères pour véhicule automobile), et connecter la borne de relais 85 à un fil avec fusible alimenté par le courant continu de 12 volts de la batterie. Connecter la borne de relais 87 à la sortie du commutateur d'avertisseur sonore et connecter la borne de relais 30 à un fil alimenté par le courant continu de 12 volts de la batterie.

FIL VERT FONCÉ À RUBAN NOIR: SORTIE À VERROUILLAGE/CANAL 3

Le fil vert à ruban noir se verrouille au fil de terre par l'intermédiaire d'un canal de radiofréquence indépendant du transmetteur du porte-clé. Il s'agit d'une sortie transistorisée à faible courant (300 mA) qui doit être utilisée uniquement pour actionner une bobine de relais externe.

Ce fil fournit un signal immédiat de mise à la terre et reste à la terre aussi longtemps que le ou les boutons du transmetteur de porte-clé restent enfoncés.

AVERTISSEMENT! La connexion du fil vert foncé à ruban noir à la sortie commutée de courant fort des circuits d'ouverture du coffre endommage le module de commande.

Connecter le fil vert foncé à ruban noir à la borne 86 du relais AS 9256 (ou un relais équivalent de 30 ampères pour véhicule automobile), et connecter les contacts restants du relais pour accomplir la fonction choisie du canal 3.

FIL BLEU CLAIR: SORTIE À VERROUILLAGE/CANAL 4

Le fil bleu clair se verrouille au fil de terre par l'intermédiaire d'un canal de radiofréquence indépendant du transmetteur du porte-clé. Il s'agit d'une sortie transistorisée à faible courant (300 mA) qui doit être utilisée uniquement pour actionner une bobine de relais externe.

Ce fil fournit un signal immédiat de mise à la terre et reste à la terre aussi longtemps que le ou les boutons du transmetteur de porte-clé restent enfoncés.

AVERTISSEMENT! La connexion du fil bleu clair à la sortie commutée de courant fort des circuits d'ouverture du coffre endommage le module de commande.

Connecter le fil bleu clair à la borne 86 du relais AS 9256 (ou un relais équivalent de 30 ampères pour véhicule automobile), et connecter les contacts restants du relais pour accomplir la fonction choisie du canal 4.

CONNECTEUR GRIS ET NOIR À 2 BROCHES (BLEUES) : INTERRUPTEUR VALET

Faire passer le connecteur bleu à deux conducteurs, de l'interrupteur valet vers le module de commande d'alarme et le brancher sur le connecteur bleu correspondant à l'extrémité du module.

FILS BLEU ET ROUGE : VOYANT DEL MONTÉ SUR LE TABLEAU DE BORD

Faire passer le connecteur blanc à deux conducteurs du voyant DEL à l'extrémité du module et le brancher sur le connecteur correspondant à l'extrémité du module.

CONNECTEUR BLANC À QUATRE BROCHES: DÉTECTEUR DE VIBRATIONS

Faire passer les fils rouge, noir, bleu et vert venant du détecteur de vibrations et allant au module de commande dans le connecteur blanc à quatre broches, et enficher l'un des côtés dans le détecteur de vibrations et l'autre dans le connecteur blanc correspondant situé sur le côté du module.

CONNECTEUR ROUGE ET VERT À 2 BROCHES (BRANCHES)-SORTIES VERROUILLAGE DE PORTES:

Ces fils fournissent soit une sortie masse à impulsions au relais de commande de verrouillage de porte livré d'usine, soit une sortie à impulsions +12 Volts au relais de commande de verrouillage de porte d'usine. Dans les deux cas, le courant maximum consommé par ces sorties ne doit pas dépasser 300 mA.

VERROUILLAGE DE PORTE À 3 FILS PAR IMPULSION DE MASSE

Dans cette application, le fil rouge fournit une impulsion de masse lors de l'armement, ou la sortie impulsions de masse de verrouillage de porte. Brancher le fil rouge au fil qui fournit un signal de masse à faible courant de l'interrupteur de verrouillage de porte monté d'usine au relais de commande de verrouillage de porte monté d'usine.

Le fil vert fournit une impulsion de masse lors du désarmement, ou la sortie impulsion de masse de déverrouillage. Brancher le fil vert au fil qui fournit un signal de masse à faible courant provenant de l'interrupteur de déverrouillage de porte monté d'usine au relais de commande de verrouillage de porte monté d'usine.

VERROUILLAGE DE PORTE À 3 FILS PAR IMPULSION POSITIVE

Dans cette application, le fil rouge fournit une impulsion positive lors du désarmement, ou la sortie impulsions +12 Volts de déverrouillage. Le branchement du fil rouge sur le fil fournit un signal positif à faible courant de l'interrupteur de déverrouillage de porte monté d'usine vers le relais de commande de verrouillage de porte monté d'usine.

Le fil vert fournit une impulsion positive lors de l'armement ou la sortie impulsions +12 volts du verrouillage de porte monté d'usine. Brancher le fil vert au fil qui fournit un signal de masse à faible courant provenant de l'interrupteur de verrouillage de porte monté d'usine au relais de commande de verrouillage de porte monté d'usine.

CIRCUITS DE COMMANDE DE VERROUILLAGE DE PORTE À 4 FILS À POLARITÉ INVERSÉE ET À 5 FILS D'INVERSION DE 12 VOLTS:

Dans ces applications, il faut utiliser l'interface de verrouillage de porte AS-9159 (ou un relais automobile équivalent de 30A).

Se reporter au supplément de câblage de verrouillage de porte AUDIOVOX, pour effectuer convenablement le raccordement de ces types de circuit.

FINITION DE L'INSTALLATION

FIL D'ANTENNE: Ne pas oublier d'étirer le mince fil noir d'antenne à sa longueur maximale, et d'utiliser des serre-câbles à différents endroits où on ne peut l'endommager. Éviter d'enrouler ce fil autour des faisceaux principaux de fils comportant des courants forts.

RÉGLAGE DU DÉTECTEUR DE VIBRATIONS: La sensibilité du circuit pré-détection est automatiquement réglée à 30% de moins que la sensibilité du circuit de déclenchement total.

À l'aide d'un petit tournevis, faire tourner la vis de réglage avec précaution et à fond, en sens inverse des aiguilles d'une montre. (NE PAS forcer cette vis. La rotation maximum de ce réglage est de 270°.) Fermer les capots de moteur et de coffre et armer l'alarme. Attendre six secondes pour que la zone de déclenchement des accessoires se stabilise, puis donner un coup de poing sur le pare-chocs arrière avec la force nécessaire pour briser une vitre.

AVERTISSEMENT: Ne jamais effectuer cet essai sur les vitres du véhicule sous peine de les briser.

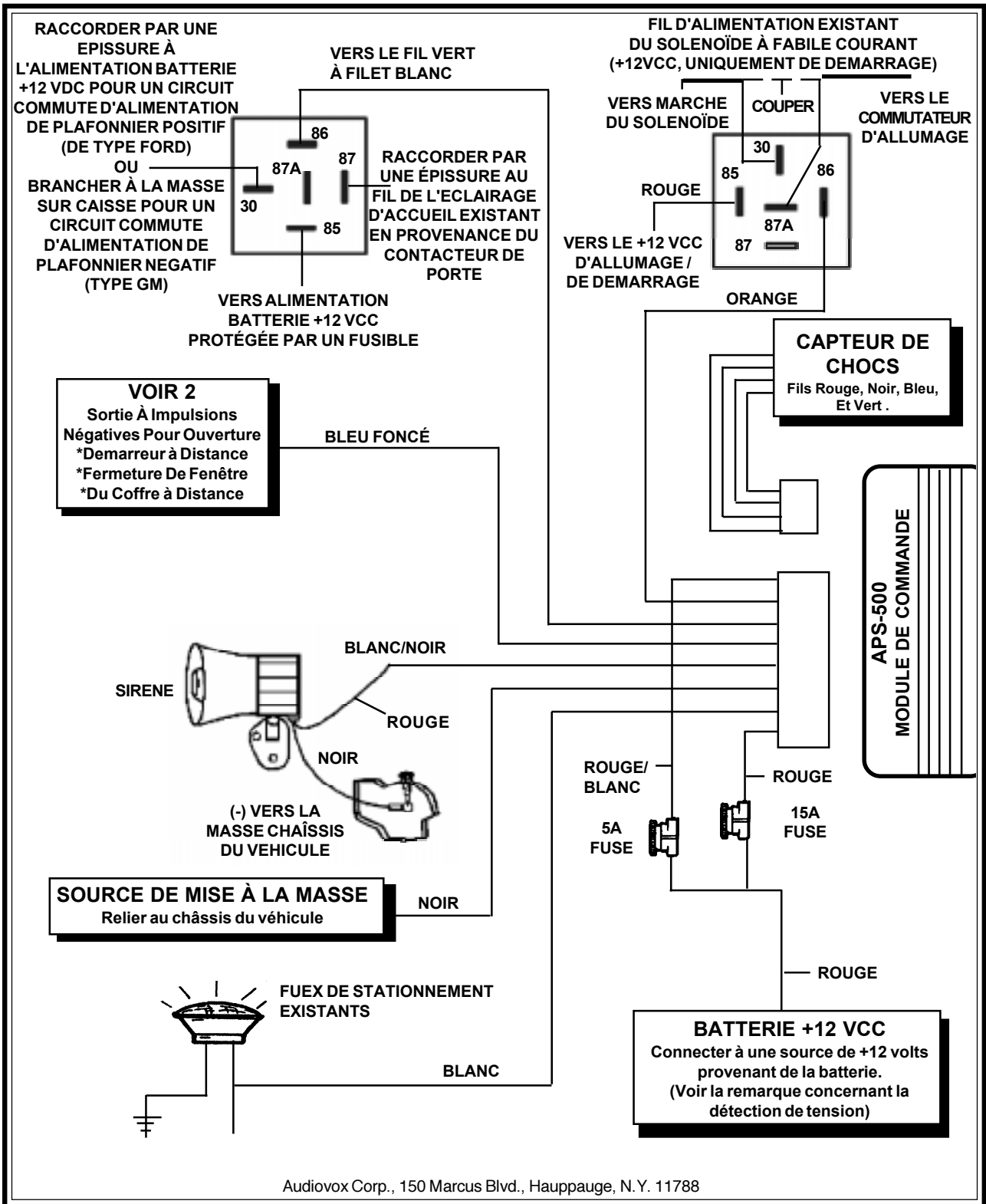
Tourner la vis de réglage dans le sens des aiguilles d'une montre (pour augmenter la sensibilité) sur 1/4 de tour environ, et recommencer l'essai. Recommencer cette opération jusqu'à ce que l'alarme se déclenche. En fin de compte, un coup de poing ferme sur le pare-chocs arrière devrait déclencher l'émission de tonalités d'avertissement de l'alarme.

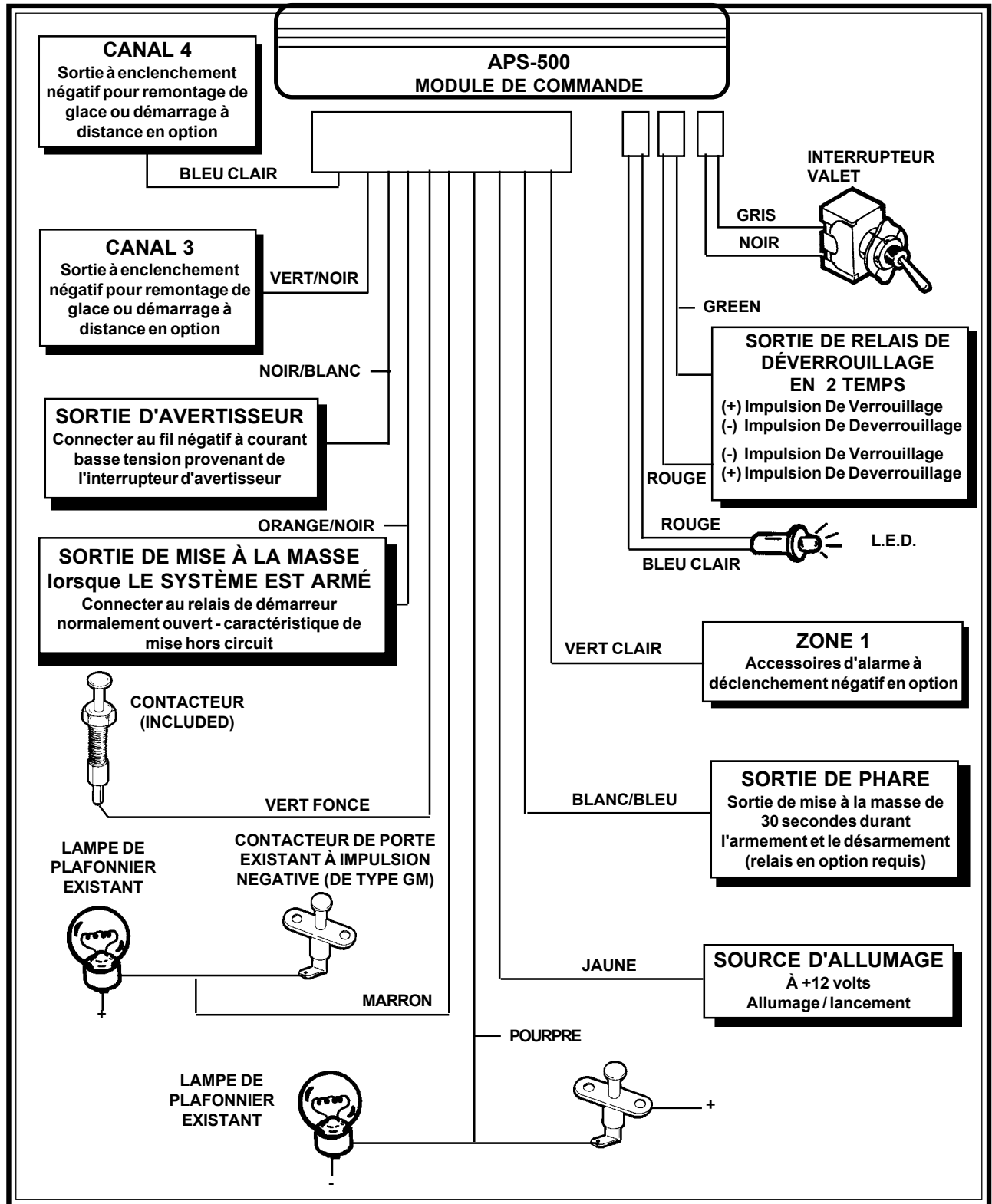
AVERTISSEMENT: Si la sensibilité est trop élevée, ceci peut entraîner des fausses alarmes dues aux vibrations du passage de camions et de véhicules lourds. Pour diminuer la sensibilité, régler la vis en sens inverse des aiguilles d'une montre.

POSE DU CÂBLE: Il faut toujours envelopper les fils de l'alarme dans un tubage en hélice ou d'un ruban adhésif isolant électrique placé en spirale. Attacher ces faisceaux le long du chemin de câbles à l'aide de serre-câbles.

Ceci empêche les fils de tomber sur des surfaces chaudes ou des surfaces mobiles tranchantes du véhicule, ce qui évite tout dommage.

FONCTIONNEMENT: Prendre quelques instants pour cocher les cases d'option dans le manuel d'utilisation, et pour expliquer complètement le fonctionnement du système au client.







Modelo APS 500
Manual de instalación

FUNCIONES SELECCIONABLES

Nota: El método de anulación manual puede seleccionarse para funcionar desde el interruptor valet o con un código especial. Ponga una marca de control para indicar el método usado en el casillero que hay en la última página del manual del propietario.

Las funciones seleccionables del interruptor DIP:

Número de interruptor	Posición ON	Posición OFF	Valor establecido en fábrica
Interruptor DIP 1	Anulación código especial	Anulación interruptor valet	Anulación código especial
Interruptor DIP 2	Detección de voltaje	Cableado	Detección de voltaje

Nota: Cuando se seleccionan la activación pasiva y la detección de voltaje, se debe cablear el interruptor de clavija de la puerta del conductor a fin de iniciar la secuencia de activación pasiva.

Funciones programables de RF:

Selección de la función	1 chirrido	2 chirridos	Valor preestablecido
Primero	Puertas trabadas en 1 segundo	Puertas trabadas en 3,5 segundos	1 segundo
Segundo	Trabado automático "on"	Trabado automático "off"	Trabado automático "off"
Tercero	Trabado automático "on"	Trabado automático "off"	Trabado automático "off"
Cuarto	Salida de faros "on"	Salida de faros "off"	Salida de faros "on"
Quinto	Trabado pasivo de puertas	Trabado activo de puertas	Trabado pasivo
Sexto	Activación pasiva	Activación activa	Activación activa

Para programar estas funciones seleccionables:

Acción	Respuestas del sistema
Poner la llave de contacto en "on"	Ninguna respuesta.
Encender y apagar ("on/off") el interruptor valet 3 veces.	1 chirrido - 1 destello del L.E.D.
A los 3 segundos, poner la llave de contacto en "off".	Chirrido corto, luego un chirrido largo.
Primero	Luego conectar "on". Oprimir el botón 1 del transmisor para cambiar o bien,
Segundo	Encender y apagar ("on/off") el interruptor valet. Oprimir el botón 1 del transmisor para cambiar o bien,
Tercero	Encender y apagar ("on/off") el interruptor valet. Oprimir el botón 1 del transmisor para cambiar o bien,
Cuarto	Encender y apagar ("on/off") el interruptor valet. Oprimir el botón 1 del transmisor para cambiar o bien,
Quinto	Encender y apagar ("on/off") el interruptor valet. Oprimir el botón 1 del transmisor para cambiar o bien,
Sexto	Conecte y desconecte el interruptor valet Apriete el botón del transmisor 1 para cambiar o bien, Encender y apagar ("on/off") el interruptor valet. o bien, Poner la llave de contacto en "off"

Nota: Una vez que entre al modo de programación de funciones, no deje pasar más de 15 segundos entre un paso y otro, en caso contrario se terminará la programación.

INSTALACIÓN DE LOS COMPONENTES PRINCIPALES

MÓDULO DE CONTROL:

Seleccione un lugar de instalación dentro del compartimiento de pasajeros (arriba detrás del tablero), y fíjelo usando los dos tornillos incluidos.

El módulo de control puede también fijarse en su lugar empleando ligaduras de alambre.

El módulo de control no debe instalarse en el compartimiento del motor puesto que no es a prueba de agua. También debe evitarse montar la unidad directamente sobre componentes electrónicos instalados en fábrica. Estos componentes pueden causar interferencia de radiofrecuencia lo que puede producir un alcance reducido del transmisor o una operación intermitente.

SIRENA:

Elija un lugar en el compartimiento del motor que se halle bien protegido contra su acceso desde la parte inferior del vehículo. Evite las áreas cercanas a componentes de alta temperatura o móviles dentro del compartimiento del motor. Para evitar la retención de agua, el extremo en bocina de la sirena debe apuntar hacia abajo al instalarse. Instale la sirena en el lugar escogido con los tornillos y soporte incluidos.

INSTALACIÓN DE CONMUTADORE DE CLAVIJA PARA CAPÓ O BAÚL:

Se incluyen un conmutadore de clavija para protección del capó o baúl del vehículo. Lo conmutadore siempre debe instalarse en una parte metálica con conexión a tierra. Es importante escoger un lugar donde no se acumule o pase agua y evite los canales de desagüe en los guardafangos del capó o tapa del baúl. Busque un lugar sellado con empaques de caucho cuando el capó y la tapa del baúl estén cerrados. Lo conmutadore de clavija pueden instalarse usando lo soporte incluido o montarse directamente perforando un agujero de 1/4 de pulgada de diámetro.

Tenga en mente que, cuando están bien instalados, el percutor debe presionarse 1/4 de pulgada por lo menos cuando la tapa del baúl o el capó están cerrados.

INDICADOR L.E.D. SOBRE EL TABLERO:

Se incluye un indicador L.E.D. rojo que sirve como indicador visual del estado de la alarma. Este debe instalarse sobre el tablero y ubicarse en cualquier lugar donde pueda ser observado fácilmente desde el exterior del vehículo, pero sin distraer al conductor. Una vez escogido el lugar, inspeccione detrás del panel para el acceso al tendido del cable y para confirmar que el taladro no dañe ningún componente existente cuando pasa a través del panel.

Perfore un agujero de 1/4 de pulgada de diámetro y pase los cables rojo y azul del diodo emisor de luz por el agujero desde el frente del panel. Empuje firmemente el diodo emisor de luz en el agujero hasta que esté bien asentado.

INTERRUPTOR VALET:

Elija un lugar de montaje para el interruptor que sea de fácil acceso para el conductor del vehículo. El interruptor no tiene que estar escondido, pero siempre se recomienda esconderlo dado que brindar un mayor grado de seguridad al vehículo.

El interruptor valet puede montarse en la parte inferior del tablero de instrumentos, perforando un orificio de 1/4 pulg. de diámetro en el lugar elegido.

Asegúrese de fijarse atrás del tablero de instrumentos para comprobar que haya suficiente lugar para colocar la caja del interruptor y confirmar que el taladro no vaya a dañar ninguno de los componentes existentes cuando pase por el tablero de instrumentos. También debe asegurarse de que la parte posterior del interruptor quede accesible para el cableado que se tenderá más adelante en la instalación.

DETECTOR DE CHOQUE:

Elija una superficie de montaje sólida para el detector de choque en la pared interior del compartimiento para el pasajero y coloque el detector con los dos tornillos provistos. También se puede asegurar el detector de choque a cualquier soporte fijo que esté detrás del tablero de instrumentos, utilizando correas de sujeción.

Independientemente de la forma de montaje que elija, asegúrese de que el ajuste de sensibilidad quede accesible para usarlo posteriormente en la instalación.

CABLEADO DEL SISTEMA

Conector grande de 8 clavijas:

CABLE ROJO CON FUSIBLES: FUENTE DE BATERÍA CONSTANTE DE + 12 VCC

Este cable controla la sensibilidad del circuito detector de voltaje que detecta el encendido de una luz interior cuando se abre una puerta. También detecta el encendido de las luces de estacionamiento o los faros y, en muchos casos, dispara la alarma cuando se enciende un ventilador enfriador del radiador que sea electrónico y esté controlado por un termostato.

Al instalar este sistema en vehículos que tengan "ventiladores posteriores" electrónicos, se recomienda desactivar el circuito de detección de voltaje.

En las aplicaciones de detección de voltaje, cuanto más cerca de la batería está conectado el cable rojo, menos sensible será el circuito de detección de voltaje. Al mover este punto de conexión al panel de fusibles se incrementará la sensibilidad y al conectarlo al fusible de la luz de estribo del vehículo se proporcionará una sensibilidad máxima del circuito de detección de voltaje.

Al tender el cableado del módulo de control a los interruptores de clavija de todos los puntos de acceso, se debe desactivar el circuito de detección de voltaje. Mueva el interruptor DIP No. 2 a la posición "off", luego conecte el cable rojo a una fuente de batería constante de +12 VCC.

CABLE BLANCO : SALIDA POSITIVA DE 12 VDC DE LUZ ESTACIONAMIENTO A IMPULSOS (15A MÁXIMO)

Este cable se proporciona para hacer centellear las luces de estacionamiento del vehículo. Conecte el cable blanco al lado positivo de una de las luces de estacionamiento del vehículo.

CABLE NEGRO : TIERRA DEL CHASIS

Conecte este cable a una parte de metal sólido en el chasis del vehículo. No confunda este cable con el cable negro delgado de la antena que sale independientemente del módulo de control.

CABLE BLANCO CON TIRA NEGRA : SALIDA POSITIVA A LA SIRENA

Extienda este cable a lo largo de un pasajillo aislante en el muro contraincendios y a la ubicación de la sirena.

Conecte el cable blanco con tira negra al cable positivo de la sirena. Asegure el cable negro de tierra de la sirena a una fuente de tierra en el chasis.

CABLE AZUL OSCURO - RETRASAR SALIDA PULSADA DE 300 mA/CANAL 2:

El cable azul oscuro emite impulsos de tierra por medio de un canal de radiofrecuencia independiente desde el transmisor de llavero. Esta es una salida transistorizada de baja corriente y sólo debe usarse para accionar una bobina de relé externo.

ADVERTENCIA: Si se conecta el cable azul oscuro a la salida conmutada de alta corriente de los circuitos para abrir el baúl y a algunas entradas para el arranque remoto del vehículo, puede dañarse el módulo de control.

Conecte el cable azul oscuro al terminal 86 del relé AS-9256 (o un relé para automóviles equivalente de 30A) y conecte los contactos restantes del relé para realizar la función seleccionada del canal 2.

CABLES VERDE OSCURO CON FRANJA BLANCA-ILUMINACIÓN DE ENTRADA (MÁXIMO 300mA):

El cable verde oscuro con franja blanca suministra una señal a tierra de 30 segundos siempre que se desactive el sistema e impulsos a tierra siempre que se dispare el sistema. Debe emplearse para proporcionar la iluminación de entrada (opcional) y para hacer centellear la lámpara interior del vehículo mientras suena la alarma.

Esta es una salida transistorizada de baja corriente y sólo debe emplearse para activar una bobina de relé externo. Conecte el cable verde oscuro con franja blanca al terminal 86 del relé AS-9256 (o un relé para automóviles equivalente de 30 A), y conecte los demás contactos del relé conforme a la polaridad del circuito de la luz interior en el vehículo.

NOTA : Al hacer la conexión de esta característica en vehículos equipados con circuitos de iluminación retrasada instalados en fábrica, es mejor que se conecte a la salida del temporizador que alimenta la luz interior en lugar de al conmutador de la puerta. Esto asegurará que la luz interior centelle cuando se dispara la alarma.

CABLE ANARANJADO: SALIDA A TIERRA DE 300 mA AL ESTAR ACTIVADO - DESACTIVACIÓN DEL ARRANCADOR

Este cable sirve para controlar el relé de corte del arrancador. Conecte el cable anaranjado al terminal 86 del relé. Conecte el terminal 85 del relé a un cable de encendido del vehículo que esté activo cuando la llave se encuentre en las posiciones "on" y de arranque y desconectado o desactivado cuando la llave esté en la posición "off" (Es aquí donde se debe conectar el cable amarillo de la alarma.)

Corte el alambre de solenoide del arrancador del vehículo y conecte un lado del cable cortado al terminal 87A del relé. Conecte el otro lado del cable cortado al terminal 30 del relé.

Nota: Por lo general se trata de un corte cerrado del arrancador y cuando se deja de alimentar el sistema de seguridad, la función de desactivación del arrancador no funciona y se puede arrancar el vehículo. Audiovox no recomienda usar el cable anaranjado solamente para interrumpir el circuito de arranque del vehículo.

Miniconector de 10 clavijas:

CABLE VERDE CLARO : (-) ZONA 1 DE DISPARO INSTANTÁNEO

Este es un cable a tierra de disparo instantáneo. Este cable (zona) debe reservarse para la conexión de dispositivos de disparo de salida opcionales tales como sensores de movimiento y/o impactos.

CABLE BLANCO CON MARCAS AZULES: SALIDA DE LOS FAROS - ACTIVACIÓN Y DESACTIVACIÓN

El cable blanco con marcas azules sirve para controlar la función opcional de iluminación de los faros que tiene el sistema. Se trata de una salida de baja corriente (300 mA) con transistores y solamente debe usarse para impulsar la bobina de un relé externo.

Este cable proporciona una señal de tierra de 30 segundos cuando se activa o desactiva el sistema en forma remota.

Conecte el cable blanco con marcas azules al terminal 86 del relé AS 9256 (o un relé equivalente de 30 amp. para automóviles) y conecte el terminal 85 del relé a una fuente de batería de +12 V CC con fusibles. Conecte el terminal 87 del relé a uno de los cables de los faros de luces bajas del vehículo y conecte el terminal 30 del relé a la conexión a tierra del chasis o a una fuente de batería de +12 V CC (15 amp mínimo) con fusibles, en función de la polaridad del circuito de los faros del vehículo.

CABLE AMARILLO: FUENTE DE ENCENDIDO O IGNICIÓN DE +12 VCC.

Conecte este cable a una fuente que esté activa cuando la llave se encuentre en las posiciones "on" y de arranque. Asegúrese de que esta fuente esté apagada ("off") cuando la llave se encuentre en la posición "off".

CABLE MORADO : (+) DISPARADOR DE PUERTA

Si los interruptores de la lámpara de cortesía de la puerta del vehículo tienen una salida positiva de 12 voltios cuando la puerta está abierta (la mayoría de los Fords y algunos importados), usted debe conectar este cable a la salida positiva de uno de los interruptores de la puerta. En la mayoría de los casos, el cable morado sólo necesitará conectarse a un interruptor de la puerta, independientemente de cuántas puertas tenga el vehículo.

ADVERTENCIA: No use el cable morado si el vehículo tiene interruptores de puerta con salida a tierra. (VER cable marrón).

CABLE MARRÓN : (-) DISPARADOR DE PUERTA

Si los interruptores de la lámpara de cortesía de la puerta del vehículo tienen una salida negativa a tierra cuando la puerta se abre (GM y algunos importados), usted debe conectar este cable a la salida negativa de uno de los interruptores de la puerta.

ADVERTENCIA: No use el cable marrón si el vehículo tiene interruptores de puerta con salida positiva de 12 voltios. (VER cable morado).

CABLE VERDE OSCURO : (-) ZONA 2 DE DISPARO INSTANTÁNEO

Este es un cable a tierra de disparo instantáneo. Debe conectarse a los conmutadores de clavija del capó y baúl previamente instalados.

CABLE ANARANJADO CON MARCAS BLANCAS: SALIDA A TIERRA DE 300 mA AL ESTAR DESACTIVADO - DESACTIVACIÓN DEL ARRANCADOR

Este cable sirve para controlar el relé de corte del arrancador. Conecte el cable anaranjado con blancas al terminal 86 del relé. Conecte el terminal 85 del relé a un cable de encendido del vehículo que esté activo cuando la llave se encuentre en las posiciones "on" y de arranque y desconectado o desactivado cuando la llave esté en la posición "off" (Es aquí donde se debe conectar el cable amarillo de la alarma.)

Corte el alambre de solenoide del arrancador del vehículo y conecte un lado del cable cortado al terminal 87 del relé. Conecte el otro lado del cable cortado al terminal 30 del relé.

Nota: Por lo general se trata de un corte abierto del arrancador y cuando se deja de alimentar el sistema de seguridad, la función de desactivación del arrancador sigue funcionando y no se puede arrancar el vehículo. Audiovox no recomienda usar el cable anaranjado con marcas blancas para interrumpir el circuito de arranque del vehículo.

CABLE NEGRO CON MARCAS BLANCAS: SALIDA DE 300 mA DE LA BOCINA

El cable negro con marcas blancas sirve para que suene la bocina del vehículo. Se trata de una salida transistorizada de baja corriente y debe conectarse solamente a la salida a tierra de baja corriente del conmutador de bocina del vehículo.

Si el vehículo usa un conmutador de bocina de +12 VCC, entonces conecte el cable negro con marcas blancas al terminal 86 del relé AS 9256 (o un relé equivalente de 30 amp. para automóviles) y conecte el terminal 85 del relé a una fuente de batería de +12 V CC con fusibles. Conecte el terminal 87 del relé a las salida del conmutador de la bocina del vehículo y conecte el terminal 30 del relé a una fuente de batería de +12 V CC.

CABLE VERDE OSCURO CON MARCAS NEGRAS: SALIDA DE ENGANCHE / CANAL 3

El cable verde oscuro con marcas negras se enclava o engancha a tierra por medio de un canal de RF independiente del transmisor de llavero. Se trata de una salida de baja corriente (300 mA) transistorizada y sólo debe usarse para impulsar la bobina de un relé externo.

Este cable proporciona una señal de tierra inmediata y permanece en tierra mientras se mantengan apretados los botones del transmisor de llavero.

ADVERTENCIA: Al conectar el cable verde oscuro con marcas negras a la salida conmutada de alta corriente de los circuitos de desenganche del baúl se dañará el módulo de control.

Conecte el cable verde oscuro con marcas negras al terminal 86 del relé AS 9256 (o un relé equivalente de 30 amp. para automóviles) y conecte los demás contactos del relé para que realicen la función selecta del canal 3.

CABLE CELESTE: SALIDA DE ENGANCHE / CANAL 4

El cable celeste se enclava o engancha a tierra por medio de un canal de RF independiente del transmisor de llavero. Se trata de una salida de baja corriente (300 mA) transistorizada y sólo debe usarse para impulsar la bobina de un relé externo.

Este cable proporciona una señal de tierra inmediata y permanece en tierra mientras se mantengan apretados los botones del transmisor de llavero.

ADVERTENCIA: Al conectar el cable celeste a la salida conmutada de alta corriente de los circuitos de desenganche del baúl se dañará el módulo de control.

Conecte el cable celeste al terminal 86 del relé AS 9256 (o un relé equivalente de 30 amp. para automóviles) y conecte los demás contactos del relé para que realicen la función selecta del canal 4.

CONECTOR (AZUL) DE DOS CLAVIJAS GRIS Y NEGRO: INTERRUPTOR DERIVANTE DE EMERGENCIA

Extienda los dos conductores, conector azul del interruptor derivante de emergencia al módulo de control de la alarma, y conéctelo en el conector azul correspondiente en el extremo del módulo.

CABLES ROJO Y AZUL : L.E.D. MONTADO SOBRE EL TABLERO

Extienda el conector blanco de dos conectores del diodo emisor de luz al módulo de la alarma y conéctelo el conector correspondiente en el extremo del módulo.

CONECTOR BLANCO DE 4 CLAVIJAS: DETECTOR DE CHOQUE

Pase los cables rojo, negro, azul y verde del conector blanco de cuatro clavijas desde el detector de choque hasta el módulo de control y enchufe un extremo en el detector de choque y el otro en el conector blanco del costado del módulo.

CONECTOR (BLANCO) DE DOS CLAVIJAS ROJO Y VERDE-SALIDAS DE CERRADURA DE PUERTAS:

Estos cables proporcionan ya sea una salida a tierra pulsada para el relé de control de cerraduras de puertas instalado en fábrica o una salida pulsada de +12 voltios al relé de control de cerradura de puerta de fábrica. En cualquier caso, el máximo flujo de corriente a través de estas salidas no debe exceder de 300 mA.

CERRADURA DE PUERTAS CONMUTADA DE TRES CABLES

En esta aplicación, el cable rojo proporciona un impulso a tierra durante la activación o la salida pulsada de cerradura con conexión a tierra. Conecte el cable rojo al cable que proporciona una señal a tierra de baja corriente desde el interruptor de cerradura de puerta de fábrica al relé de control de cerradura de puertas de fábrica.

El cable verde proporciona un impulso a tierra durante la desactivación, o la salida pulsada para abrir las cerraduras. Conecte el cable verde al cable que proporciona una señal a tierra de baja corriente desde el interruptor para abrir las cerraduras de fábrica hasta el relé de control de cerradura de puerta de fábrica.

CERRADURAS DE PUERTA DE CONMUTACIÓN POSITIVA DE TRES CABLES:

En esta aplicación, el cable rojo proporciona un impulso positivo durante la desactivación o la salida pulsada de +12 voltios para abrir las cerraduras. Conecte el cable rojo al cable que proporciona una señal positiva de baja corriente desde el interruptor de apertura de cerradura de puerta de fábrica hasta el relé de control de cerradura de puerta de fábrica.

El cable verde proporciona un impulso positivo durante la activación o la salida pulsada para cerradura de puertas de +12 voltios. Conecte el cable verde al cable que proporciona una señal positiva de baja corriente del interruptor de cerradura de puerta de fábrica al relé de control de cerradura de puerta de fábrica.

CIRCUITOS DE CONTROL DE CERRADURA DE PUERTA DE REVERSIÓN DE POLARIDAD DE 4 CABLES Y DE ALTERNACIÓN DE 12 VOLTIOS DE 5 CABLES.

En estas aplicaciones, debe usarse la interfase de cerradura de puerta AS-9159 (o relés de automóviles equivalentes de 30A).

Refiérase al Suplemento de cableado de cerradura de puerta de Audiovox para la conexión correcta de estos tipos de circuitos.

TERMINACIÓN DE LA INSTALACIÓN

CABLE DE ANTENA: Asegúrese de extender el cable negro delgado de antena a su longitud máxima y asegúrelo en un lugar en el que no sea dañado. Evite enrollar este cable alrededor de conductos de cables de alta corriente.

AJUSTE DEL DETECTOR DE CHOQUE: La sensibilidad del circuito de predetección se establece automáticamente a 30% menos de sensibilidad que el circuito total de disparo.

Con un destornillador pequeño, gire suavemente el tornillo de ajuste en dirección contraria a las agujas del reloj (NO gire demasiado el tornillo. La rotación máxima para este ajuste es de 270°). Cierre las tapas del capó y el baúl y active la alarma. Espere 6 segundos para que establezca la zona de disparo de los accesorios, luego golpee el parachoques trasero con el costado del puño cerrado, teniendo en cuenta la fuerza que se necesita para romper una ventanilla.

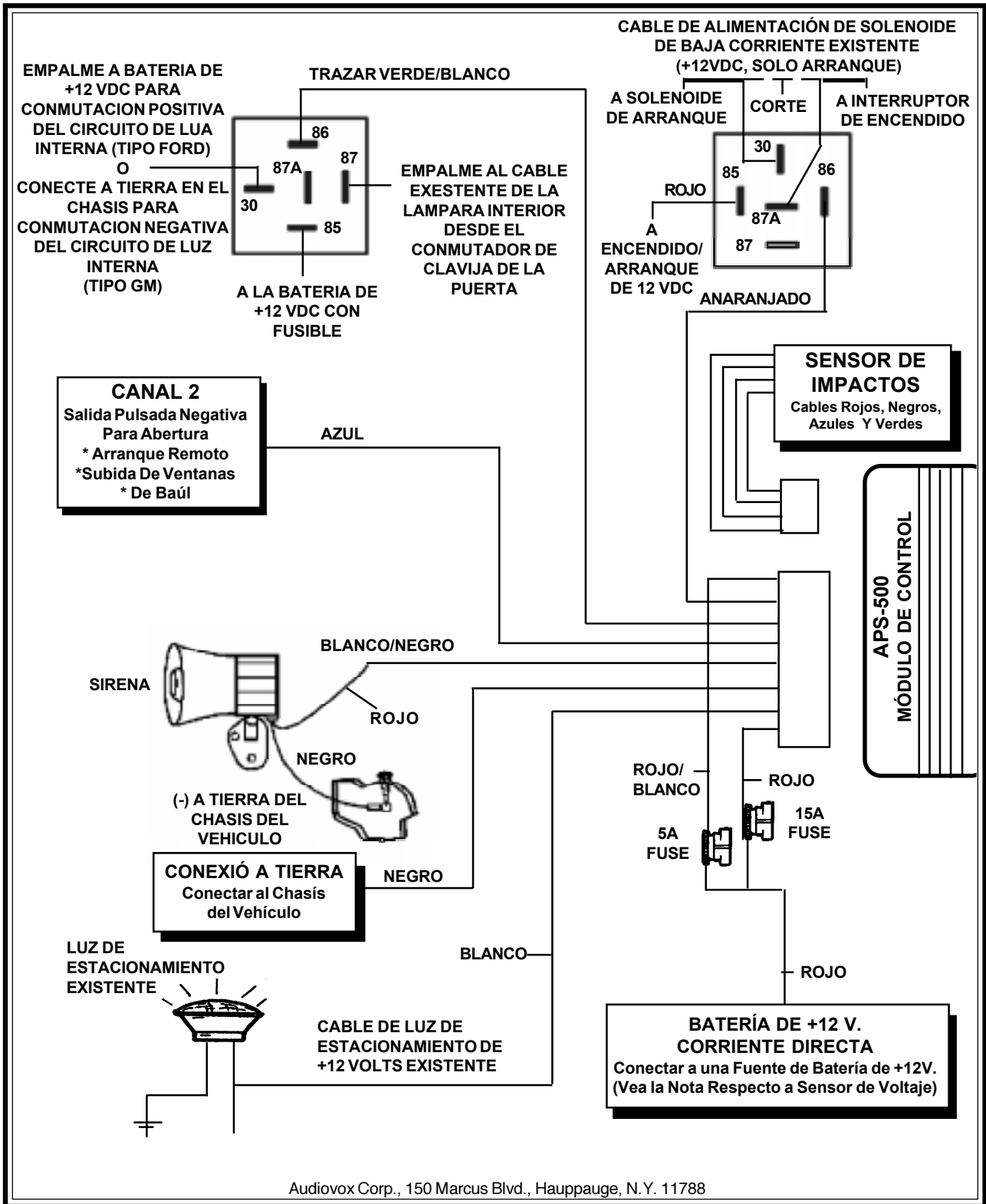
ATENCIÓN: Nunca haga esta prueba sobre el vidrio de una ventanilla, ya que puede romperlo.

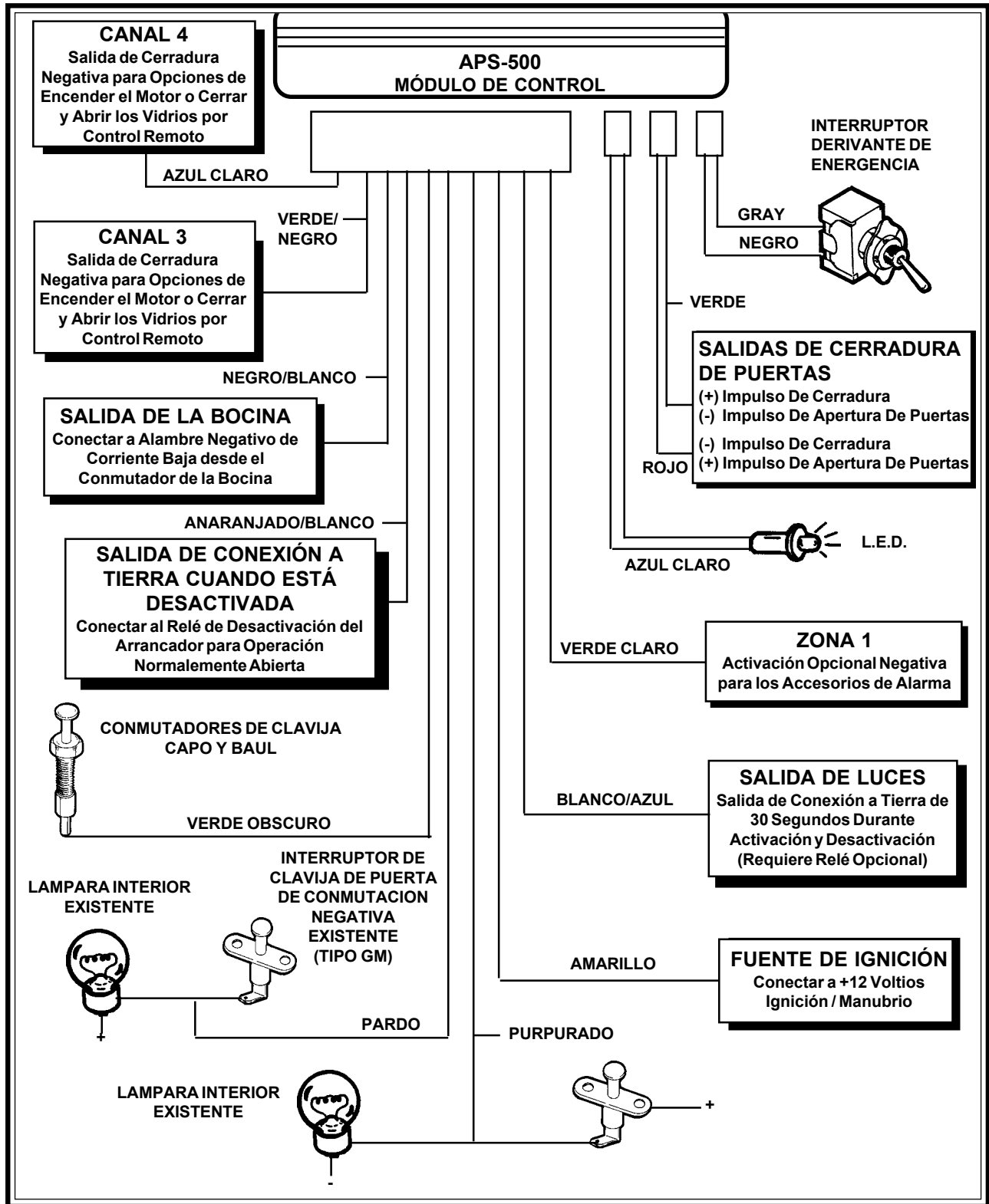
Gire el tornillo de ajuste en dirección horaria (aumentará la sensibilidad) alrededor de 1/4 de vuelta y vuelva a hacer la prueba. Repita este procedimiento hasta que suene la alarma. En última instancia, un golpe fuerte al parachoques trasero hará que alarma emita tonos de advertencia de predetección.

ADVERTENCIA: Al establecer la sensibilidad en un valor demasiado alto se pueden provocar falsas alarmas debido a las vibraciones y ruidos provenientes de camiones y equipos pesados que pasan cerca del automóvil. Para reducir la sensibilidad, gire el tornillo de ajuste en dirección contraria a las agujas del reloj.

REVESTIMIENTO DE LOS CABLES: Siempre envuelva los cables de la alarma en un tubo plegado o con una envoltura espiral de cinta aislante. Asegure estos conductos a lo largo de su trayectoria con amarras de alambre. Esto asegurará que los cables de la alarma no se dañen al caer sobre superficies calientes o de movimiento rápido en el vehículo.

OPERACIÓN: Tome unos momentos para verificar las casillas de opción adecuadas en el manual del propietario y para explicar bien el funcionamiento del sistema a su cliente.





Free Manuals Download Website

<http://myh66.com>

<http://usermanuals.us>

<http://www.somanuals.com>

<http://www.4manuals.cc>

<http://www.manual-lib.com>

<http://www.404manual.com>

<http://www.luxmanual.com>

<http://aubethermostatmanual.com>

Golf course search by state

<http://golfingnear.com>

Email search by domain

<http://emailbydomain.com>

Auto manuals search

<http://auto.somanuals.com>

TV manuals search

<http://tv.somanuals.com>