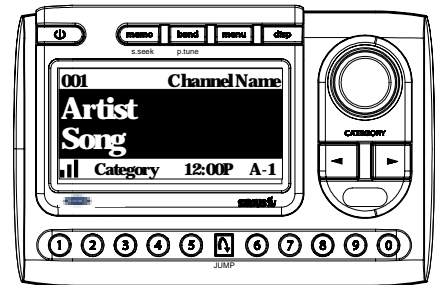




Home Installation Guide JSIR900H



Released 3-7-05.

128-7370

1 of 12

CONTENTS

Congratulations	3
Cautions and Warnings	4
Contents JSIR900H	5
Installation/Wiring Precautions	5
Setting Up and Installing Your Kit	5
Cabling Connections	6
Installing/Positioning the Antenna	6
Interconnect Diagram	6
Installing the Shuttle On the Cradle	7
Antenna Placement	8
Warranty	10

Congratulations

You are one step closer to experiencing Sirius Satellite Radio. Sirius will revolutionize your in-home or vehicle entertainment with:

- Over 120 channels of original programming, including –
65 channels of 100% commercial-free music – guaranteed,
Over 50 channels of world-class sports, news, talk and information.

Your Jensen JSIR900R Shuttle must be used with an adapter kit, such as the Jensen Home kit, Boom Box or Vehicle Kit as required by your specific installation needs. These kits are available at retailers where Jensen main units are sold.

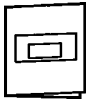
Jensen Home Kit: JSIR900H
Jensen Vehicle Kit: JSIR900C
Jensen Boombox: JSIR900B

Cautions and Warnings

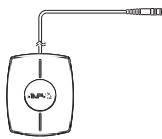
1. Do not install the Shuttle in a position that obstructs viewing of any home entertainment component, such as Television, or stereo system indicators and displays.
2. This unit complies with the interference limits relative to a Class B digital device, applicable under Part 15 of the FCC Rules regarding installation in a residential environment. If the unit is not installed in accordance with these instructions, it could cause harmful interference to radio or television reception. If this condition persists after corrective action, consult your dealer or experienced installation facility.
3. By adhering to these warnings and safety considerations, serious accidents and/or personal injury can be avoided.

Contents JSIR900H

Install Manual
(P/N 128-7370)



Antenna
(P/N 118-1136)



1 pc.

DC Power Adapter
(P/N 136-3805)



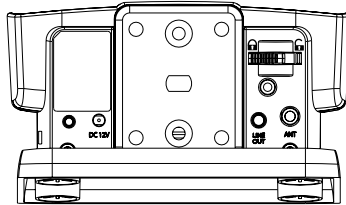
1 pc.

Audio Cable
(P/N 112B3293)



1 pc.

Cradle
(P/N 136-3802)



1 pc.

Installation/Wiring Precautions

1. Make sure the adapter cable is not connected to an AC wall outlet until all interconnections have been made and verified. The adapter power cable should be connected last.
2. Do not install the unit in the locations exposed to direct sunlight or in areas subject to extreme temperatures.
3. Incorrect installation may cause damage to the system.
4. During antenna placement/installation, refer to the Antenna Aiming procedure outlined in the Shuttle User Guide, JSIR900R (128-7373).

Setting Up and Installing Your Kit

NOTE: The SIRIUS® signal can be received and processed virtually anywhere as long as there are no obvious satellite signal obstructions such as high terrain, trees, overhangs, etc.

1. *Cabling Interconnections*

You can begin to enjoy Sirius® Satellite Radio as soon as the Shuttle and home Kit installation are complete. Set up your Jensen Shuttle using the following installation instructions, or enlist the help of a professional installer.

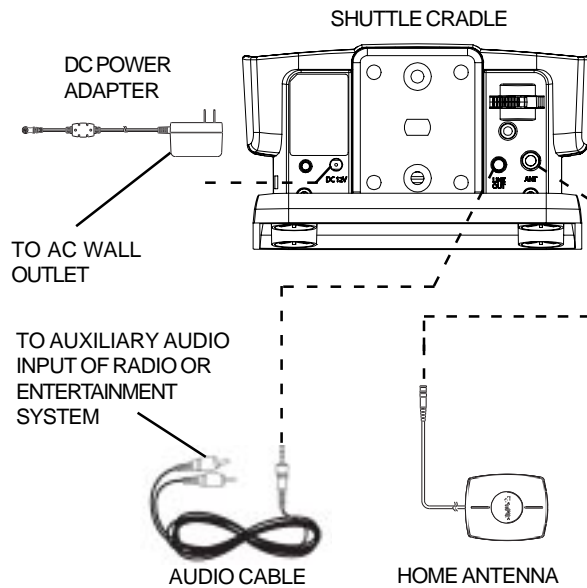
2. *Installing/Positioning the Antenna*

For best reception, the supplied antenna should be placed near a window; some repositioning may be required to achieve optimum results. The following guidelines are recommended:

- a. In a major city, where Sirius ground repeaters are present, you can usually place the antenna away from a window and still achieve the desired results.
- b. You can also place the antenna outside (on the roof structure), provided it is clear of any overhead obstructions.

NOTE: Because of the orbiting characteristics of the Sirius Satellites, the strength of the received signal may change over time. In most cases however, the signal should be available

Interconnect Diagram

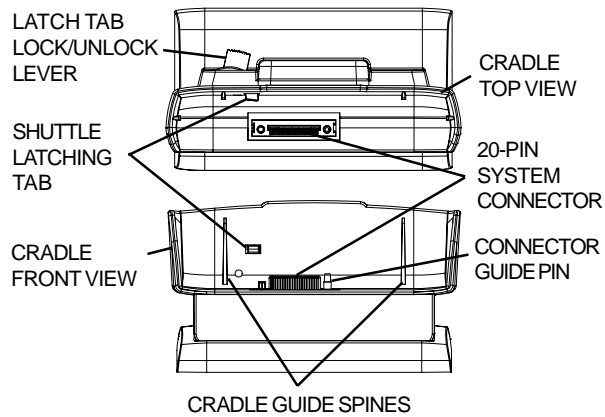



continuously. If you experience a loss of signal or audio, reposition the antenna inside the home or outside as necessary.

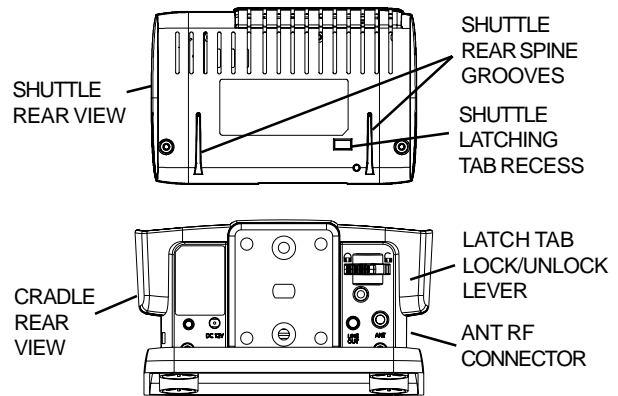
3. Installing the Shuttle on the Cradle

Install the shuttle as follows:

- a. Carefully line up the shuttle rear spine grooves with the cradle guide spines; slide the latch tab



- b. After making sure the connectors are properly lined up, gently press down on the shuttle to mate the connectors together.
- c. Slide the latch tab lever to the lock () position; the tab will enter the shuttle latching tab recess to prevent vertical movement. The shuttle should now be nestled securely in the cradle.



4. Antenna Placement

To ensure strong reception in your home, observe the following antenna placement considerations:

- a. For **BEST** reception, place the antenna outside on the roof; the antenna is waterproof. This position will afford the clearest view of the sky for best reception. When placed in this location, an antenna extension cable may be required (available at retailers). Refer to the adjoining map for best pointing directions.
- b. If roof placement is not possible, **BETTER** reception can be achieved by placing the antenna outside a window, or by mounting it to the side of the house. In either case, try to achieve the best possible clear sky conditions as shown.
- c. **GOOD** reception can be achieved by placing your antenna in or near a window, since signal repeaters are used in major metropolitan areas



to boost signal strength. In these cases, the antenna can be placed inside the home. Once again, try to achieve clear sky conditions as shown.

- d. Apply power to the Shuttle system as outlined in the associated User Guide and obtain an audio output. If no audio is heard, move the antenna to different positions on the surface until an audio output is heard. This is the desired antenna position and should be marked with masking tape or by another non-scratch method.
- e. After determining the optimum position, turn off Shuttle power, disconnect the power adapter from the wall outlet receptacle and disconnect the antenna cable.
- f. Plan the routing of the antenna cable to the Shuttle RF input. Make sure you avoid any obstructions that could crimp, kink or twist the cable; use protective grommets wherever rough openings are encountered.
- g. If the antenna is mounted outside, route the cable from the antenna position to the interior of the home, working the cable through the basement, under a window sill, etc.; make adjustments and take up slack whenever necessary.
- h. Plug the antenna cable into the ANT connector on the back of the cradle.
- i. Plug the female end of the AC cable into the DC adapter; then plug the DC Adapter jack into the DC 12V receptacle on the cradle.
- j. Plug the other end of the AC cable into a 110-volt wall receptacle; the integral power LED in the Shuttle power button (●) will light red.
- k. You are now ready to enjoy Sirius programming within your home.



AUDIOVOX®

12 MONTH LIMITED WARRANTY

AUDIOVOX CORPORATION (the Company) warrants to the original retail purchaser of this product that should this product or any part thereof, under normal use and conditions, be proven defective in material or workmanship within 12 months from the date of original purchase, such defect(s) will be repaired or replaced with new or reconditioned product (at the Company's option) without charge for parts and repair labor.

To obtain repair or replacement within the terms of this Warranty, the product is to be delivered with proof of warranty coverage (e.g. dated bill of sale), specification of defect(s), transportation prepaid, to an approved warranty station or the Company at the address shown below.

This Warranty does not extend to the elimination of externally generated static or noise, to costs incurred for installation, removal or reinstallation of the product, damage to speakers, accessories, or vehicle and home electrical systems, malfunction of satellite transmissions, repeater signal or receiver unit.

This Warranty does not apply to any product or part thereof which, in the opinion of the Company, has suffered or been damaged through alteration, improper installation, mishandling, misuse, neglect, accident, or by removal or defacement of the factory serial number/bar code label(s). THE EXTENT OF THE COMPANY'S LIABILITY UNDER THIS WARRANTY IS LIMITED TO THE REPAIR OR REPLACEMENT PROVIDED ABOVE AND, IN NO EVENT, SHALL THE COMPANY'S LIABILITY EXCEED THE PURCHASE PRICE PAID BY PURCHASER FOR THE PRODUCT.

This Warranty is in lieu of all other express warranties or liabilities. ANY IMPLIED WARRANTIES, INCLUDING ANY IMPLIED WARRANTY OF MERCHANTABILITY, SHALL BE LIMITED TO THE DURATION OF THIS WRITTEN WARRANTY. ANY ACTION FOR BREACH OF ANY WARRANTY HEREUNDER INCLUDING ANY IMPLIED WARRANTY OF MERCHANTABILITY MUST BE BROUGHT WITHIN A PERIOD OF 48 MONTHS FROM DATE OF ORIGINAL PURCHASE. IN NO CASE SHALL THE COMPANY BE LIABLE FOR ANY CONSEQUENTIAL OR INCIDENTAL DAMAGES FOR BREACH OF THIS OR ANY OTHER WARRANTY, EXPRESS OR IMPLIED, WHATSOEVER. No person or representative is authorized to assume for the Company any liability other than expressed herein in connection with the sale of this product.

Some states do not allow limitations on how long an implied warranty lasts or the exclusion or limitation of incidental or consequential damage so the above limitations or exclusions may not apply to you. This Warranty gives you specific legal rights and you may also have other rights which vary from state to state.

U.S.A. : AUDIOVOX CORPORATION, 150 MARCUS BLVD., HAUPPAUGE, NEW YORK 11788 • 1-800-645-4994

CANADA : CALL 1-800-645-4994 FOR LOCATION OF WARRANTY STATION SERVING YOUR AREA

128-7370

10 of 12

THIS PAGE LEFT BLANK INTENTIONALLY

-11-

128-7370
11 of 12

© 2005 Audiovox Electronics Corporation, 150 Marcus Blvd., Hauppauge, New York 11788

128-7370

-12-

128-7370

12 of 12

Free Manuals Download Website

<http://myh66.com>

<http://usermanuals.us>

<http://www.somanuals.com>

<http://www.4manuals.cc>

<http://www.manual-lib.com>

<http://www.404manual.com>

<http://www.luxmanual.com>

<http://aubethermostatmanual.com>

Golf course search by state

<http://golfingnear.com>

Email search by domain

<http://emailbydomain.com>

Auto manuals search

<http://auto.somanuals.com>

TV manuals search

<http://tv.somanuals.com>