

AUDIOVOX®
ELECTRONICS CORP.

SIRIUS
SATELLITE RADIO



PNP3 SHUTTLE

Vehicle Installation Guide SIR-CK3



Released: 8-9-04

128-7194

1 of 20

THIS PAGE LEFT BLANK INTENTIONALLY

-2-

128-7194
2 of 20

CONTENTS

Congratulations	4
Cautions and Warnings	5
Contents SIR-CK3	6
Hardware Kit	6
Installation/Wiring Precautions	7
Setting Up and Installing Your Kit	7
Interconnect Diagram	8
Installing the Cradle Using Double-Sided Tape	11
Using Other Manufacturer's Mounts	11
Installing the Shuttle Into the Cradle	11
Sirius Program Listening Options	13
Mounting the Vehicle Antenna	14
Warranty	18

Congratulations

You are one step closer to experiencing Sirius Satellite Radio. Sirius will revolutionize your in-home or vehicle entertainment with:

- Over 120 channels of original programming, including –
65 channels of 100% commercial-free music – guaranteed,
Over 50 channels of world-class sports, news, talk and information.

Your Model PNP3 Audiovox Shuttle must be used with an adapter kit, such as the Audiovox Home kit, Boom Box or Vehicle Kit as required by your specific installation needs. These kits are available at retailers where Audiovox main units are sold.

Audiovox Home Kit: SIR-HK3

Audiovox Vehicle Kit: SIR-CK3

Audiovox Boombox: SIR-BB3

Accessories:

RCA Adapter Cable, SAT-RCA

FM Switching Box, SAT-SWB

Cautions and Warnings

1. Do not install the Shuttle in a position that hinders your view through the windshield, or obstructs viewing of the dashboard indicators and displays.
2. Do not install the unit where it may obstruct the operation or deployment of safety devices, such as airbags, etc.
3. Do not allow operation of the unit to detract from safe driving practices; remember that you are responsible as the vehicle operator to adhere to all safe driving and traffic regulations.
4. This unit complies with the interference limits relative to a Class B digital device, applicable under Part 15 of the FCC Rules regarding installation in a residential environment. If the unit is not installed in accordance with these instructions, it could cause harmful interference to radio or television reception. If this condition persists after corrective action, consult your dealer or experienced installation facility.
5. By adhering to these warnings and safety considerations, serious accidents and/or personal injury can be avoided.

Contents SIR-CK3

Install Manual
(P/N 1287194)

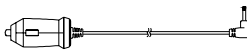


Antenna
(P/N 118-1135)



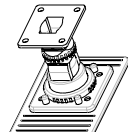
1 pc.

DC Power Adapter
(P/N 112-3459)



1 pc.

Base
(P/N 136-3804)



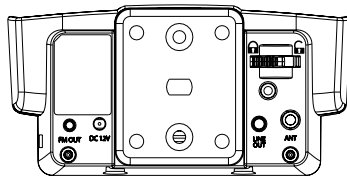
1 pc.

Audio Cable
(Optional)
(P/N SAT-RCA)



1 pc.

Cradle CK3
(P/N 136-3801)



1 pc.

HARDWARE KIT (P/N 150-1577)

1.6" W X 2" Long
Double Sided Foam Tape
(P/N 138-1305)



1 pc

Phillips Machine
Screw (M4 x 8mm)
With Captive Lock
and Flat Washer
(P/N 100-2329)



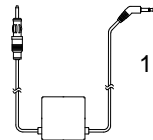
4 pcs.

Alcohol Swab
(P/N 138-1189)



1 pc.

OPTIONAL
FM Switching Box Assy
P/N SAT-SWB (6 Meter)



1 pc.

Installation/Wiring Precautions

1. To prevent a short-circuit, be sure to turn off the ignition and remove the negative (-) battery cable prior to installation. Connect power wires last.
2. Do not install the unit in the locations exposed to direct sunlight or, in areas subject to extreme temperatures.
3. Incorrect installation may cause damage to the system. Mount the unit firmly in place, using the supplied hardware.
4. Be careful not to damage the vehicle wiring.
5. Be sure to use the supplied screws and washers.
6. Be careful not to snag any wires when tightening screws.

Setting Up and Installing Your Kit

NOTE: The SIRIUS® signal can be received and processed virtually anywhere as long as there are no obvious satellite signal obstructions such as nearby buildings, high terrain, parking garages or tunnels.

1. Cabling Interconnections

You can begin to enjoy Sirius® Satellite Radio as soon as the Shuttle and Vehicle Kit installation are complete. Set up your Audiovox Shuttle using the following installation instructions, or enlist the help of a professional installer:

2. Installing the Cradle Mount Base Assembly

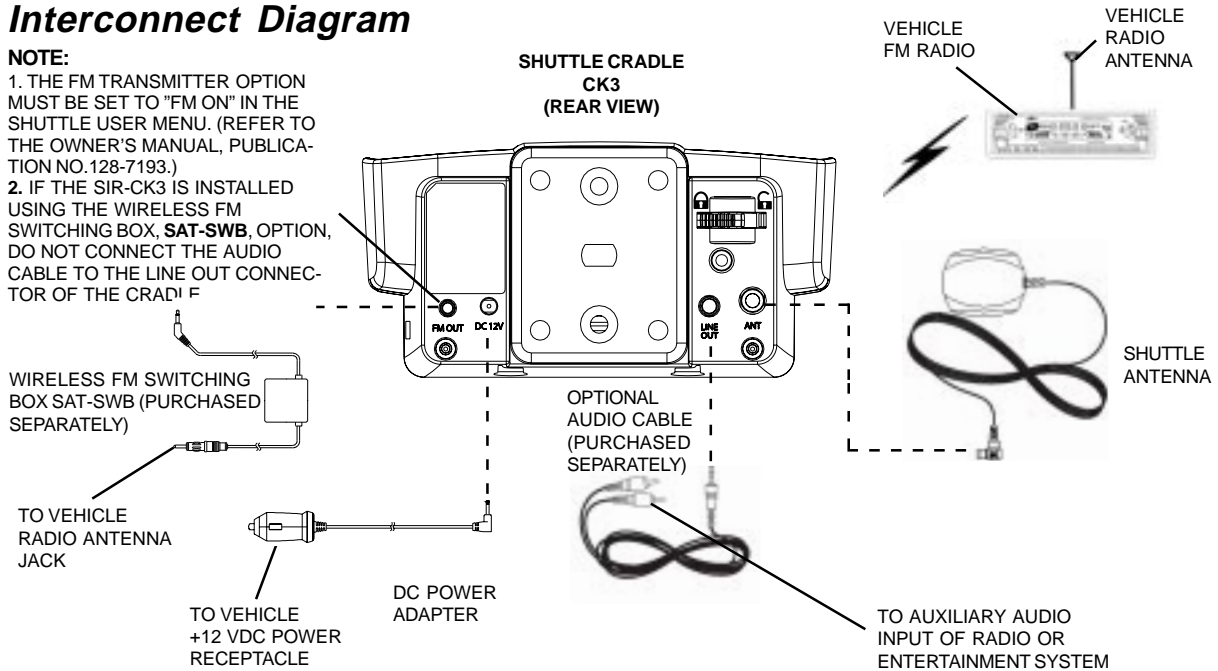
- a. Interconnect all of the components as shown on the adjacent page to verify that the system operates normally.
- b. Locate a firm, reasonably flat surface within your car to permit optimum viewing and line-of-sight access by the supplied remote control unit.

Interconnect Diagram

NOTE:

1. THE FM TRANSMITTER OPTION MUST BE SET TO "FM ON" IN THE SHUTTLE USER MENU. (REFER TO THE OWNER'S MANUAL, PUBLICATION NO. 128-7193.)

2. IF THE SIR-CK3 IS INSTALLED USING THE WIRELESS FM SWITCHING BOX, **SAT-SWB**, OPTION, DO NOT CONNECT THE AUDIO CABLE TO THE LINE OUT CONNECTOR OF THE CRADLE.

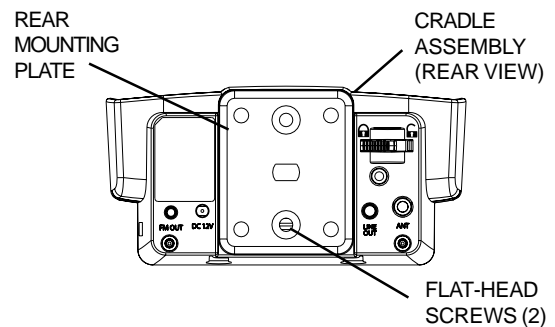


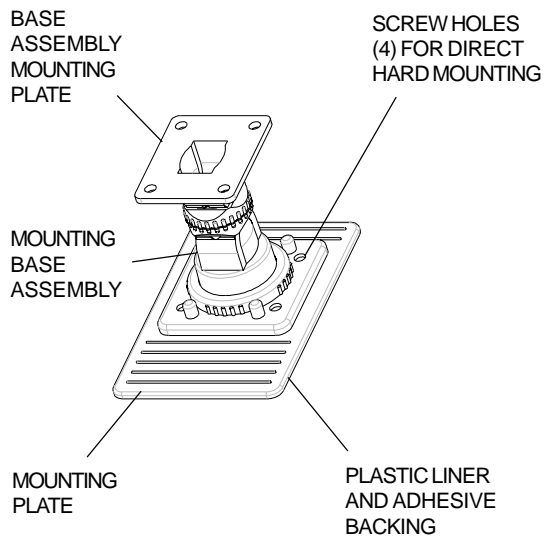
CAUTION: Do not install the mounting base on a leather or fabric surface, or in a position that could impair your vision, block air bag(s) or obstruct vehicle dashboard controls and/or radio CD/cassette operational displays.

NOTE: The adhesive backing on the base will not permit easy repositioning once it has been mated to the surface; use extreme care and planning when selecting the mounting location. If the base is to be screwed to the surface, make sure the area in back of the mounting surface is clear of wires or other items to prevent unintentional damage.

- c. Using the alcohol swab supplied with your kit, clean the mounting surface and thoroughly wipe the area dry with a clean lint-free cloth.

- d. The cradle contains a rear mounting plate. After deciding the mounting configuration, loosen and remove two flat-head screws securing the plate to the cradle and remove the plate. Save the two screws for reassembly.





- e. If the outside air temperature is cold, it may be beneficial to warm the adhesive backing on the base using a portable hair dryer, or by holding the backing surface in front of a vehicle heater vent.
- f. Remove the plastic liner from the adhesive backing on the base, and fix the base in position on the surface; make sure the mounting pad is accurately positioned on the first try, since repositioning may be difficult, if not impossible.
- g. If the mount is to be screwed in place, do not remove the plastic liner from the adhesive backing. Use appropriate sheet metal or machine screws for this purpose.

NOTE: Allow a 72-hour period for the adhesive backing to cure completely.

3. *Installing the Cradle Using Double-Sided Tape*

You can mount the cradle directly to your dashboard or other flat surface without using the cradle mount in the kit. To do this, do not remove the mounting plate assembly from the cradle.

- a. Remove the 3/4" x 3" double-sided tape from the supplied kit.
- b. Determine the location of the cradle, and clean the mounting surface as before.
- c. Peel the backing from one side of the tape, and press the tape in place on the rear or bottom cradle mounting plate.


- d. Peel the backing from the exposed side of the tape and carefully position the cradle on the mounting surface, gently pressing the cradle into place.

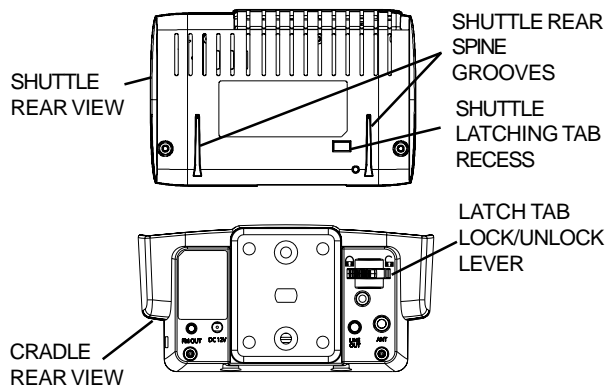
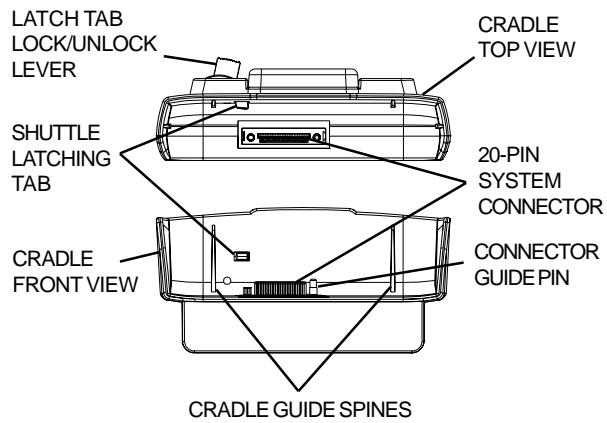
4. *Using Other Manufacturer's Mounts*

The Shuttle Cradle can also be installed using other manufacturer's mounts; the mounting plate provisions on the rear or bottom of the cradle provide you with multiple mounting options within the vehicle using various vehicle-specific aftermarket brackets, such as those purchased separately from Panavise, Pro-Fit, etc.

5. *Installing the Shuttle into the Cradle*

Install the shuttle as follows:

- a. Carefully line up the shuttle rear spine grooves with the cradle guide spines; slide the latch tab lever to the unlock () position, and lower the shuttle into the cradle.



- b. After making sure the connectors are properly lined up, gently press down on the shuttle to mate the connectors together.
- c. Slide the latch tab lever to the lock (🔒) position; the tab will enter the shuttle latching tab recess to prevent vertical movement. The shuttle should now be nestled securely in the cradle.

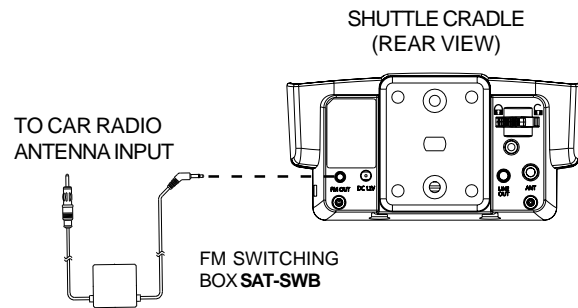
6. Sirius Program Listening Options

The Shuttle and Cradle provide an audio output signal in three manners:

1. When using the SIR-CK3 cradle with the FM switching box option, the audio signal can be transmitted to a car radio on one of over 100 selectable FM frequencies using the menu options included in your PNP3 shuttle. (Refer to the shuttle owner's manual.) The audio signal can then be played through your car radio when the car radio is tuned to one of these frequencies.
2. In this instance, use of a hard-wired FM transmitter, such as the optional FM Switching Box assembly (Part No. SAT-SWB) is available and provides a hard-wired FM output when connected to the FM OUT connector on the left rear side of the cradle; the other end of the switching box plugs into the antenna jack of your radio. By using this assembly, and selecting the appropriate FM output frequency (87.9MHz -107.9MHz) using the shuttle **FM Transmitter Option** menu, the

Sirius signal received at the ANT cradle antenna input can be played through your car radio when tuned to one of these frequencies.

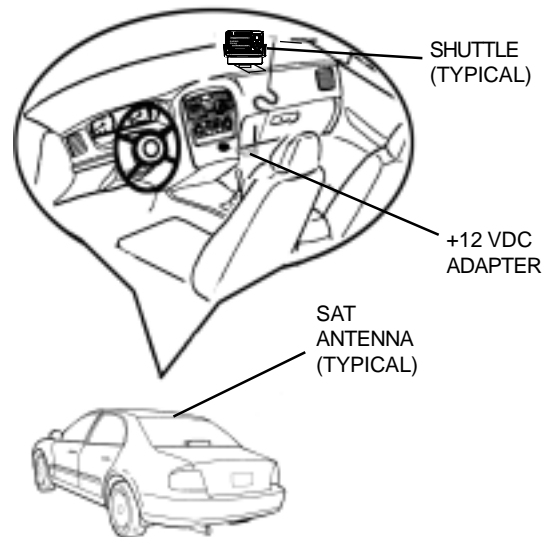
3. When using the SIR-CK3 cradle without the FM switching box option, the audio signal can be routed through an optional audio cable (Part No. SAT-RCA) and applied to the auxiliary inputs of a radio or entertainment system.



7. **Mounting the Vehicle Antenna**

The antenna should be placed on a relatively flat surface on the vehicle exterior, preferably on the roof (high point) or on the trunk (convertible). To mount the antenna:

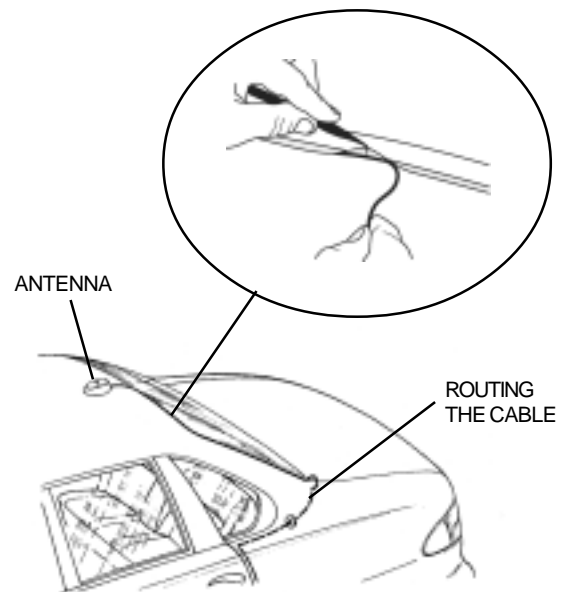
- a. Plug the antenna into the ANT connector on the back of the cradle.
- b. Place the antenna at the preferred location on the roof or trunk surface. If the vehicle is equipped with a roof or trunk rack, the antenna may have to be mounted off-center on the surface. The magnet will secure the antenna in the desired position.
- c. Apply power to the Shuttle system as outlined in the associated User Guide and obtain an audio output. If no audio is heard, first check the signal strength indicator located on the bottom left corner of the display to ensure the antenna is receiving an optimum signal. If necessary, move the antenna to different positions on the surface until an audio output is heard. This is the desired antenna position and should be marked with masking tape or by another non-scratch method.



- d. After determining the optimum position, turn off Shuttle power, disconnect the power adapter from the vehicle cigarette lighter receptacle and disconnect the antenna cable.

- e. Plan the routing of the antenna cable to the Shuttle RF input. Make sure you avoid any obstructions that could crimp, kink or twist the cable; use protective grommets wherever rough openings are encountered.
- f. Route the cable from the antenna position to the interior of the vehicle, working the cable under the rear window molding; make adjustments and take up slack whenever necessary.
- g. At the lowest point of the rear window, route the cable into the trunk, taking advantage of existing cable conduits. Then snake the cable around the passenger compartment to the back of the Sirius cradle.
- h. In SUV's, minivans, etc., route the cable into the vehicle under the rubber molding of the hatch door or tailgate, and then under the interior trim.

NOTE: Avoid exposing the cable in the driver and passenger areas where it could become entangled in feet or other objects.



- i. Plug the antenna cable into the ANT connector on the back of the cradle; then plug the cigarette lighter adapter into the lighter receptacle. The integral power LED of the power button (●) will light red.
- j. You are now ready to enjoy Sirius programming within your vehicle.

CAUTION: You could drain the vehicle battery if the cigarette lighter adapter remains plugged in after the ignition is turned off. Unplug the adapter to prevent this possibility.

THIS PAGE LEFT BLANK INTENTIONALLY

-17-

128-7194
17 of 20



12 MONTH LIMITED WARRANTY

AUDIOVOX CORPORATION (the Company) warrants to the original retail purchaser of this product that should this product or any part thereof, under normal use and conditions, be proven defective in material or workmanship within 12 months from the date of original purchase, such defect(s) will be repaired or replaced with new or reconditioned product (at the Company's option) without charge for parts and repair labor.

To obtain repair or replacement within the terms of this Warranty, the product is to be delivered with proof of warranty coverage (e.g. dated bill of sale), specification of defect(s), transportation prepaid, to an approved warranty station or the Company at the address shown below.

This Warranty does not extend to the elimination of externally generated static or noise, to correction of antenna problems, to costs incurred for installation, removal or reinstallation of the product, or to damage to tapes, compact discs, speakers, accessories, or vehicle electrical systems.

This Warranty does not apply to any product or part thereof which, in the opinion of the Company, has suffered or been damaged through alteration, improper installation, mishandling, misuse, neglect, accident, or by removal or defacement of the factory serial number/bar code label(s). THE EXTENT OF THE COMPANY'S LIABILITY UNDER THIS WARRANTY IS LIMITED TO THE REPAIR OR REPLACEMENT PROVIDED ABOVE AND, IN NO EVENT, SHALL THE COMPANY'S LIABILITY EXCEED THE PURCHASE PRICE PAID BY PURCHASER FOR THE PRODUCT.

This Warranty is in lieu of all other express warranties or liabilities. ANY IMPLIED WARRANTIES, INCLUDING ANY IMPLIED WARRANTY OF MERCHANTABILITY, SHALL BE LIMITED TO THE DURATION OF THIS WRITTEN WARRANTY. ANY ACTION FOR BREACH OF ANY WARRANTY HEREUNDER INCLUDING ANY IMPLIED WARRANTY OF MERCHANTABILITY MUST BE BROUGHT WITHIN A PERIOD OF 48 MONTHS FROM DATE OF ORIGINAL PURCHASE. IN NO CASE SHALL THE COMPANY BE LIABLE FOR ANY CONSEQUENTIAL OR INCIDENTAL DAMAGES FOR BREACH OF THIS OR ANY OTHER WARRANTY, EXPRESS OR IMPLIED, WHATSOEVER. No person or representative is authorized to assume for the Company any liability other than expressed herein in connection with the sale of this product.

Some states do not allow limitations on how long an implied warranty lasts or the exclusion or limitation of incidental or consequential damage so the above limitations or exclusions may not apply to you. This Warranty gives you specific legal rights and you may also have other rights which vary from state to state.

U.S.A. : AUDIOVOX CORPORATION, 150 MARCUS BLVD., HAUPPAUGE, NEW YORK 11788 • 1-800-645-4994

CANADA : CALL 1-800-645-4994 FOR LOCATION OF WARRANTY STATION SERVING YOUR AREA

128-6464

THIS PAGE LEFT BLANK INTENTIONALLY

-19-

128-7194
19 of 20

© 2004 Audiovox Electronics Corporation, 150 Marcus Blvd., Hauppauge, New York 11788

128-7194

Free Manuals Download Website

<http://myh66.com>

<http://usermanuals.us>

<http://www.somanuals.com>

<http://www.4manuals.cc>

<http://www.manual-lib.com>

<http://www.404manual.com>

<http://www.luxmanual.com>

<http://aubethermostatmanual.com>

Golf course search by state

<http://golfingnear.com>

Email search by domain

<http://emailbydomain.com>

Auto manuals search

<http://auto.somanuals.com>

TV manuals search

<http://tv.somanuals.com>